

# UC San Diego

## UC San Diego Previously Published Works

### Title

0.13- $\mu$ m CMOS phase shifters for X-, Ku-, and K-band phased arrays

### Permalink

<https://escholarship.org/uc/item/91q7q7hh>

### Journal

IEEE Journal of Solid-State Circuits, 42

### ISSN

0018-9200

### Authors

Koh, Kwang-Jin  
Rebeiz, Gabriel M.

### Publication Date

2007-11-01

### Supplemental Material

<https://escholarship.org/uc/item/91q7q7hh#supplemental>

Peer reviewed

# 0.13- $\mu\text{m}$ CMOS Phase Shifters for X-, Ku-, and K-Band Phased Arrays

Kwang-Jin Koh, *Student Member, IEEE*, and Gabriel M. Rebeiz, *Fellow, IEEE*

**Abstract**—Two 4-bit active phase shifters integrated with all digital control circuitry in 0.13- $\mu\text{m}$  RF CMOS technology are developed for X- and Ku-band (8–18 GHz) and K-band (18–26 GHz) phased arrays, respectively. The active digital phase shifters synthesize the required phase using a phase interpolation process by adding quadrature-phased input signals. The designs are based on a resonance-based quadrature all-pass filter for quadrature signaling with minimum loss and wide operation bandwidth. Both phase shifters can change phases with less than about 2 dB of RMS amplitude imbalance for all phase states through an associated DAC control. For the X- and Ku-band phase shifter, the RMS phase error is less than  $10^\circ$  over the entire 5–18 GHz range. The average insertion loss ranges from  $-3$  dB to  $-0.2$  dB at 5–20 GHz. The input  $P_{1\text{dB}}$  for all 4-bit phase states is typically  $-5.4 \pm 1.3$  dBm at 12 GHz in the X- and Ku-band phase shifter. The K-band phase shifter exhibits  $6.5$ – $13^\circ$  of RMS phase error at 15–26 GHz. The average insertion loss is from  $-4.6$  to  $-3$  dB at 15–26 GHz. The input  $P_{1\text{dB}}$  of the K-band phase shifter is  $-0.8 \pm 1.1$  dBm at 24 GHz. For both phase shifters, the core size excluding all the pads and the output  $50 \Omega$  matching circuits, inserted for measurement purpose only, is very small,  $0.33 \times 0.43 \text{ mm}^2$ . The total current consumption is 5.8 mA in the X- and Ku-band phase shifter and 7.8 mA in the K-band phase shifter, from a 1.5 V supply voltage.

**Index Terms**—Active phase shifters, CMOS analog integrated circuits, phased arrays, quadrature networks.

## I. INTRODUCTION

**E**LECTRONIC phase shifters (PSs), the most essential elements in electronic beam-steering systems such as phased-array antennas, have been traditionally developed using switched transmission lines [1]–[3],  $90^\circ$ -hybrid coupled lines [4]–[6], and periodic loaded lines [7]–[9]. However, even though these distributed approaches can achieve true time delay along the line sections, their physical sizes make them impractical for integration with multiple arrays in a commercial IC process, especially below K-band ( $\leq \sim 30$  GHz) frequencies. The migrations from distributed networks to lumped-element configurations, such as synthetic transmission lines with varactors (and/or variable inductors) tuning [10]–[12], lumped hybrid-couplers with reflection loads [13]–[15], or the combined topologies of lumped low-pass filters and high-pass filters [16]–[18], seem to reduce the physical dimensions of the phase shifters with reasonable performance achieved. However, for fine phase quantization levels over wide operation bandwidth,

the size of the lumped passive networks grows dramatically, mainly for the various on-chip inductors used, and is not suitable for integrated phased array systems on a chip. Also, in most cases, the relationships between the control signal (voltage or current) and output phase of the lumped passive phase shifters are not linear, which makes the design of the control circuits quite complex [19]. The passive phase shifters by themselves can achieve good linearity without consuming any DC power, but their large insertion loss requires an amplifier to compensate the loss, typically more than two stages at high frequencies ( $> \sim 10$  GHz), which offsets the major merits of good linearity and low power dissipation of the passive phase shifters.

Compared with the passive designs, active phase shifters [20]–[27] where differential phases can be obtained by the roles of transistors rather than passive networks, can achieve a high integration level with decent gain and accuracy along with a fine digital phase control under a constrained power budget. Although sometimes referred to differently as an endless PS [20], a programmable PS [21], a Cartesian PS [23], or a phase rotator [24], the underlying principle for all cases is to interpolate the phases of two orthogonal-phased input signals through adding the I/Q inputs for synthesizing the required phase. The different amplitude weightings between the I- and Q-inputs result in different phases. Thus, the basic function blocks of a typical active phase shifter are composed of an I/Q generation network, an analog adder, and control circuits which set the different amplitude weightings of I- and Q-inputs in the analog adder for the necessary phase bits.

In this work, a 4-bit (phase quantization level =  $22.5^\circ$ ) active phase shifters to be integrated on-chip with multiple phased arrays for X-, Ku-, and K-band (8–26 GHz) applications are designed in a 0.13- $\mu\text{m}$  RF CMOS technology ( $f_t \approx 65$ – $80$  GHz). Section II describes the phase shifter architecture and performance requirements in detail. More specific circuit level descriptions of the building blocks are presented in Section III. The implementation details and experimental results are discussed in Section IV.

## II. SYSTEM ARCHITECTURE

Fig. 1 briefly describes the phased array receiver system proposed for this work. The phased array adopts the conventional RF phase-shifting architecture, which is superior to other architectures such as local oscillator (LO) or IF phase-shifting systems in that the RF output signal has a high pattern directivity so that it can substantially reject an interferer before a RF mixer, relaxing the mixer linearity and overall dynamic range requirement [28]. A single-ended SiGe or GaAs low-noise amplifier (LNA) having variable gain function sets the noise figure (NF) and gain of

Manuscript received February 1, 2007; revised June 15, 2007. This work was supported by the INTEL UC-Discovery Project at the University of California at San Diego.

The authors are with the Department of Electrical and Computer Engineering (ECE), University of California at San Diego, La Jolla, CA 92093 USA (e-mail: kkoh@ucsd.edu).

Digital Object Identifier 10.1109/JSSC.2007.907225

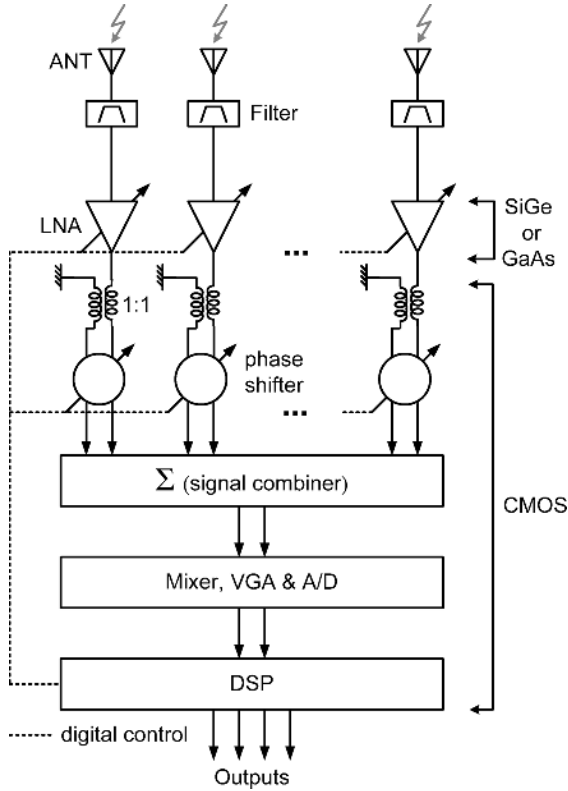


Fig. 1. Multiple antenna receiver for phased array applications. A SiGe or GaAs LNA is used depending on the required system noise figure.

the RF part, required from the overall system perspective. The system includes transformer-based (1:1) on-chip baluns for differential signaling after the LNA. The 4-bit differential phase shifter, presented in this work, should provide about  $-5 \sim 0$  dB of insertion loss and higher than  $-5$  dBm of input  $P_{1dB}$  level with less than 10 mW of power dissipation from a 1.5 V supply voltage. The input impedance of the phase shifter should be matched with the output impedance of the LNA ( $= 50 \Omega$ ). As the phase shifter will eventually be integrated on-chip with an active signal combiner network whose input impedance is capacitive ( $< \sim 50$  fF, i.e., a gate input of a source follower), the output matching in the phase shifter is not necessary. However, the phase shifter should provide a digital interface to the DSP for 4-bit phase controls.

The building blocks of the differential active phase shifter are shown in Fig. 2. A differential input signal is split into quadrature phased I- and Q-vector signals using a quadrature all-pass filter (QAF), which provides differential  $50 \Omega$  matching with the previous stage as well. The QAF is based on  $L$ - $C$  series resonators, utilizing the series resonance to minimize loss, which will be discussed in detail in the next section. An analog differential adder, composed of two Gilbert-cell type signed variable gain amplifiers (VGAs), adds the I- and Q-inputs from the QAF with proper amplitude weights and polarities, giving an interpolated output signal with a synthetic phase of  $\angle \tan^{-1}(Q_{o\pm}/I_{o\pm})$  and magnitude of  $\sqrt{(I_{o\pm}^2 + Q_{o\pm}^2)}$ . For 4-bit phase resolution, the different amplitude weightings of each input of the adder can be accomplished through changing the gain of each VGA differently. A current-mode 3-bit DAC takes this role by controlling the bias current of the VGAs. The logic encoder synthesizes the

necessary control logic signals for the DAC and adder, using the 4-bit digital inputs from the DSP. The DAC is an indispensable element for fine digital phase controls in modern phased arrays. Decreasing the phase quantization level needs more sophisticated gain control from a higher resolution DAC, but will not result in any significant increase of the phase-shifter physical area.

### III. CIRCUIT DESIGN

#### A. Quadrature All-Pass Filter (QAF)

In the phase synthesis, which is based on a phase interpolation method by adding two properly weighted quadrature vector signals, the accuracy of the output phase is dominated by the *orthonormal* precision of the I/Q seed vectors. Specifically, as the output phases heavily depend on the amplitude weightings of I- and Q-input, the output phase error is more sensitive to the amplitude mismatch than the phase mismatch of the I/Q inputs, which leads to the use of an all-pass polyphase filter ensuring equal I/Q amplitude for all  $\omega$ , rather than a high-pass/low-pass mode one as an I/Q generation network as in [27]. However, although a polyphase filter provides a solid method of quadrature generation and is sometimes used in the LO signal path where the signal amplitude is very large, its loss often prevents it from being used in the main RF signal paths, and this is more true of multistage polyphase filters for wideband operations. To achieve high quadrature precision over wide bandwidth without sacrificing any signal loss, an  $L$ - $C$  resonance based quadrature all-pass filter is developed.

1) *Basic Operation*: As shown in Fig. 3(a), the quadrature generation is based on the orthogonal phase splitting between  $V_{OI} (= j\omega Li_s + Ri_s)$  and  $V_{OQ} (= 1/j\omega Ci_s + Ri_s)$  in the series  $R$ - $L$ - $C$  resonators. The transfer function of the single-ended I/Q network is

$$\begin{bmatrix} V_{OI} \\ V_{OQ} \end{bmatrix} = V_{in} \times \begin{bmatrix} s(s + \frac{\omega_o}{Q}) \\ \frac{s^2 + \frac{\omega_o}{Q}s + \omega_o^2}{\frac{\omega_o}{Q}(s + Q\omega_o)} \\ \frac{\omega_o}{Q}(s + Q\omega_o) \\ s^2 + \frac{\omega_o}{Q}s + \omega_o^2 \end{bmatrix} \quad (1)$$

where  $\omega_o = 1/\sqrt{LC}$  and  $Q = \sqrt{(L/C)}/R$ . The benefits of this I/Q network are that it can guarantee  $90^\circ$  phase shift between I- and Q-paths for all  $\omega$  due to a zero at DC from the I-path transfer function, and it can achieve 3 dB voltage gain at resonance frequency when  $Q = 1$ . The operating bandwidth is high due to the relatively low  $Q$ , although the I/Q output magnitudes are exact only at  $\omega = \omega_o$  as the quadrature relationships rely on the low-pass and high-pass characteristics. Even with these advantages, the single-ended I/Q network does not seem to be very attractive because the quadrature accuracy in the single-ended I/Q network is very sensitive to any parasitic loading capacitance, discussed further in this section.

Fig. 3(b) and (c) show the transformation to a balanced second-order all-pass configuration to increase the bandwidth and to make it less sensitive to loading effects. After building up the resonators differentially [Fig. 3(b)], opening nodes A and B from the ground can eliminate the redundant series of  $L$  and  $C$  through resonance without causing any difference in the

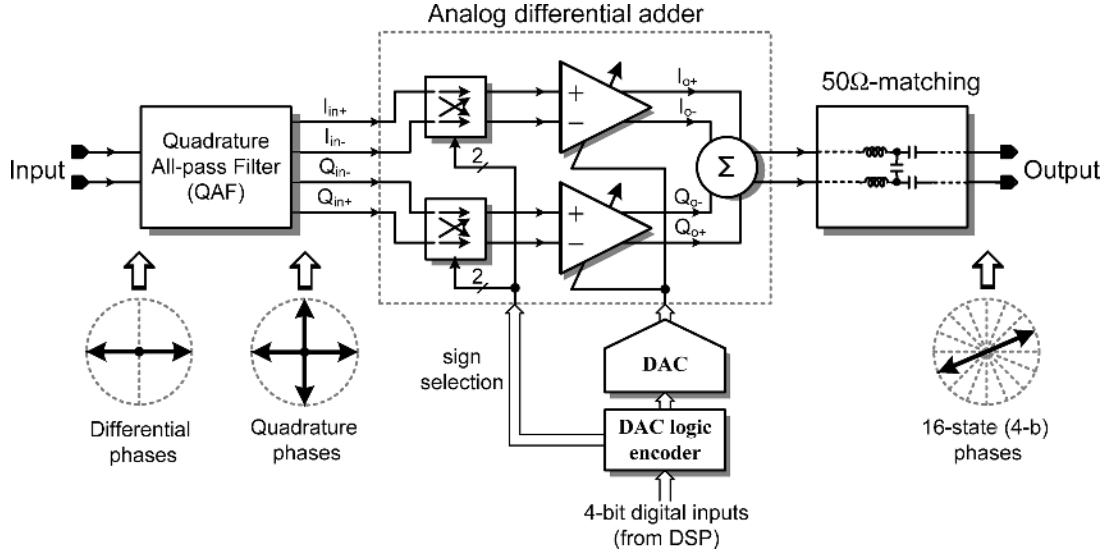


Fig. 2. Building blocks of the active phase shifter.

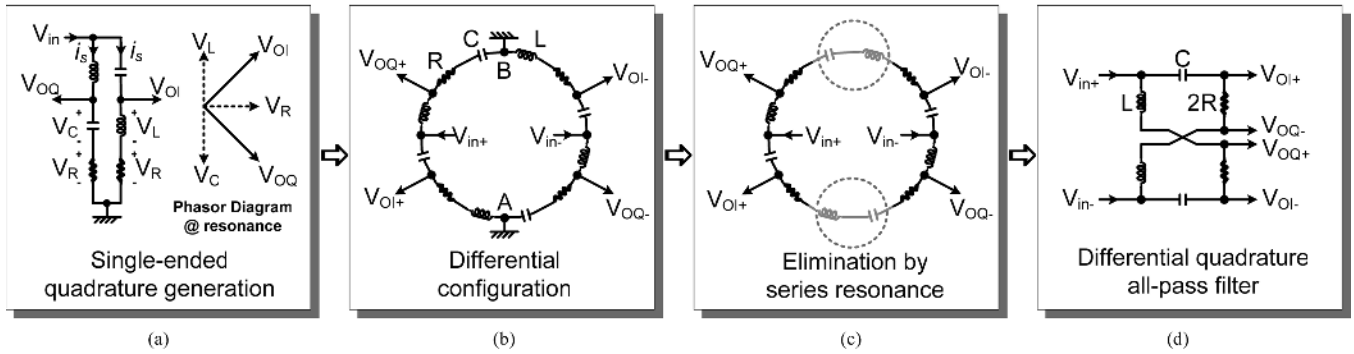


Fig. 3. Generation of the resonance-based second-order all-pass quadrature network. (a) Single-ended I/Q network based on low-pass and high-pass topologies. (b) Differential formation of (a). (c) Elimination of redundancy. (d) Differential quadrature all-pass filter.

quadrature operation [Fig. 3(c)]. The final form of the QAF [Fig. 3(d)] has a transfer function given by

$$\begin{bmatrix} V_{OI\pm} \\ V_{OQ\pm} \end{bmatrix} = V_{in} \times \begin{bmatrix} \pm \frac{s^2 + \frac{2\omega_o}{Q}s - \omega_o^2}{s^2 + \frac{2\omega_o}{Q}s + \omega_o^2} \\ \mp \frac{s^2 - \frac{2\omega_o}{Q}s - \omega_o^2}{s^2 + \frac{2\omega_o}{Q}s + \omega_o^2} \end{bmatrix} \quad (2)$$

where  $V_{in} = V_{in+} = -V_{in-}$ . Intuitively, in Fig. 3(d), while  $V_{OI+}$  shows high-pass characteristic in the view of  $V_{in+}$ , it also shows low-pass characteristics from the point of  $V_{in-}$ . Therefore, the linear combination of these characteristics leads to the all-pass operations shown in (2). The interesting point in (2), compared with (1), is that the  $Q$  is effectively divided by half, hence increasing the operation bandwidth, because of the elimination of a redundant series  $L$ - $C$  during the differential transform. The differential I/Q network shows  $|V_{OI\pm}| = |V_{OQ\pm}|$  for all  $\omega$  and orthogonal phase splitting at  $\omega = \omega_o$ , which is the double-pole frequency of (2) when  $Q = 1$ .

2) *Bandwidth Extension*: A slight lowering of the  $Q$  from 1 can split the double-pole into two separate negative real poles. The equations in (3) show the poles and zeroes of the transfer functions, where  $\omega_{P\pm}$  are the two left half-plane poles, and  $\omega_{ZI\pm}$  and  $\omega_{ZQ\pm}$  are the zeroes of the I- and Q-path transfer

functions, respectively. The symmetric zero locations between the transfer functions can ensure equal I/Q amplitude for all  $\omega$ . For the quadrature phase splitting between the I- and Q-paths at a frequency of  $\omega_{IQ}$ , the difference of output phases contributed by each right half-plane zero of the transfer functions must be  $45^\circ$  at  $\omega = \omega_{IQ}$ . Another  $45^\circ$  contribution comes from the role of left half-plane zeroes at  $\omega = \omega_{IQ}$ . Equation (4) must therefore be satisfied, and the solutions are shown in (5).

$$\begin{pmatrix} \omega_{P\pm} = \left(-\frac{1}{Q} \pm \frac{1}{Q}\sqrt{1-Q^2}\right)\omega_o \\ \omega_{ZI\pm} = \left(-\frac{1}{Q} \pm \frac{1}{Q}\sqrt{1+Q^2}\right)\omega_o \\ \omega_{ZQ\pm} = \left(+\frac{1}{Q} \pm \frac{1}{Q}\sqrt{1+Q^2}\right)\omega_o \end{pmatrix}. \quad (3)$$

$$\tan^{-1} \left( \frac{\omega_{IQ}}{\underbrace{-\frac{\omega_o}{Q} + \frac{\omega_o}{Q}\sqrt{1+Q^2}}_{\text{output phase contribution from } \omega_{ZI+}}} \right) - \tan^{-1} \left( \frac{\omega_{IQ}}{\underbrace{+\frac{\omega_o}{Q} + \frac{\omega_o}{Q}\sqrt{1+Q^2}}_{\text{output phase contribution from } \omega_{ZQ+}}} \right) = 45^\circ. \quad (4)$$

$$\omega_{IQ} = \left(\frac{1}{Q} \pm \frac{1}{Q}\sqrt{1-Q^2}\right)\omega_o = -\omega_{P\pm}. \quad (5)$$

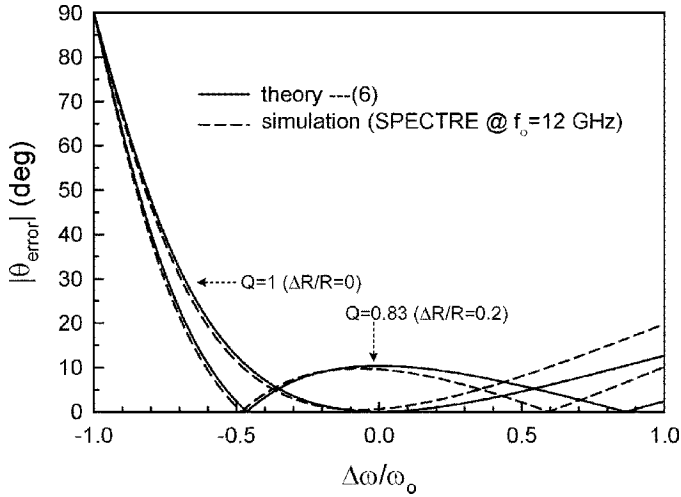


Fig. 4. I/Q phase error characteristics at the increase of  $R$ .  $f_o = 12$  GHz,  $L = 639$  pH ( $Q_{\text{ind}} = 18.6 @ 12$  GHz,  $f_{\text{SR}} = 50$  GHz),  $C = 275$  fF and  $R + \Delta R$ ;  $R = 48.2$ ,  $\Delta R/R = 0$  and  $\Delta R/R = 0.2$ .

It is noted that if  $Q < 1$  in (5), which is possible by increasing  $R$  from the original value of  $\sqrt{L/C}$ , then one can obtain two frequencies where the QAF can generate an exact  $90^\circ$  phase difference between the I/Q outputs, extending the operation bandwidth further, and these two frequencies are identical to the pole frequencies of the I- and Q-path transfer functions. The phase error from the  $90^\circ$  relationships between  $V_{OI\pm}$  and  $V_{OQ\pm}$  at  $\omega = \omega_o + \Delta\omega$ , defined as  $\theta_{\text{error}} = 90^\circ - |\angle V_{OI\pm} - \angle V_{OQ\pm}|$ , can be expressed as

$$\theta_{\text{error}} = 90^\circ - 2 \times \tan^{-1} \left( \frac{\frac{1}{Q} \left(1 + \frac{\Delta\omega}{\omega_o}\right)}{1 + \frac{\Delta\omega}{\omega_o} + \frac{1}{2} \left(\frac{\Delta\omega}{\omega_o}\right)^2} \right) [\text{deg}]. \quad (6)$$

$\Delta\omega$  is the offset frequency from the center frequency of  $\omega_o$ .

Fig. 4 presents the simulation results of  $\theta_{\text{error}}$  according to  $\Delta\omega/\omega_o$  for two cases of  $Q = 1$  ( $\Delta R/R = 0$ ) and  $Q = 0.83$  ( $\Delta R/R = 0.2$ ).  $\Delta R$  means a net increment of  $R$  from the ideal value of  $\sqrt{L/C}$ . The simulations were done at  $f_o = 12$  GHz by SPECTRE with process models,  $L = 639$  pH ( $Q_{\text{ind}} = 18.6 @ 12$  GHz and  $f_{\text{SR}} = 50$  GHz),  $C = 275$  fF,  $R = 48.2 \Omega$ , given by the IBM  $0.13\text{-}\mu\text{m}$  CMOS technology. The theoretical values agree well with simulations. The discrepancy at high frequencies is due to the limited  $Q_{\text{ind}}$  of the given inductor. Theoretically, one can achieve less than  $5^\circ$  of  $\theta_{\text{error}}$  from  $-35\%$  to about  $+50\%$  variation of  $\Delta\omega$  with  $Q = 1$ . However, this error frequency range can be increased further with a slight increase of  $R$ . Typically, a 10% increment of  $R$  exhibits less than  $5^\circ$  of  $|\theta_{\text{error}}|$  over  $-0.5 \sim 0.65$  of  $\Delta\omega/\omega_o$ . The penalty in this bandwidth extension by the pole-splitting technique is a small reduction of voltage gain which can be given as  $\sqrt{1+Q^2}$  at  $\omega_o$ . For example, when  $Q$  is 0.83, the gain is 0.7 dB lower from the ideal 3 dB voltage gain at  $\omega = \omega_o$ , and is acceptable for most applications.

It is also noteworthy that the effective decrement of  $Q$  by half in the QAF makes possible a real value of input impedance over a wider bandwidth and facilitates impedance matching. With

input matched differentially to  $R$ , the input reflection coefficient ( $= \Gamma$ ) at  $\omega = \omega_o + \Delta\omega$  can be given as

$$|\Gamma| = \left| \frac{R - Z_{\text{in}}}{R + Z_{\text{in}}} \right|, \\ Z_{\text{in}} = R \left\{ 1 + j \frac{Q}{2} \left( \left(1 + \frac{\Delta\omega}{\omega_o}\right) - \left(1 + \frac{\Delta\omega}{\omega_o}\right)^{-1} \right) \right\}. \quad (7)$$

Within  $-45\% \sim 80\%$  variation of  $\Delta\omega$ , (7) results in  $|\Gamma| < 0.3$ , corresponding to roughly below  $-10$  dB input return loss over more than 100% bandwidth.

3) *Loading Effect*: It is worthwhile to consider the errors caused by the loading effects on the QAF, which we have deliberately ignored for simplicity. Fig. 5 addresses this problem conceptually in a single-ended manner, where the parasitic loading capacitance  $C_L$ , mainly originated from the input gate capacitance of a transistor in the next stage, can modify the output impedances of  $Z_{OI}$  ( $R + j\omega L$ ) and  $Z_{OQ}$  ( $R + 1/j\omega C$ ) differently. Intuitively,  $C_L$  will lower the loaded  $Q$  of a high-pass network,  $Z_{OI}$ , hence increasing the resistance and decreasing the inductance of  $Z_{OI}$ . Also,  $C_L$  will reduce the resistance and increase capacitance of the low-pass network,  $Z_{OQ}$ , hence effectively increasing the loaded  $Q$ . The by-products of these impedance modifications by  $C_L$  are the degradation of  $\Gamma$  and quadrature errors at the output. The phase and amplitude errors from this loading effect will be mainly dependent on the ratio of  $C_L/C$  ( $= \alpha$ ), as given in (8) and (9), respectively, for the case of the single-ended I/Q network. The  $\Phi_{\text{error}}$  is defined in the same manner as  $\theta_{\text{error}}$  and  $A_{\text{error}} = |20 \times \log(V_{OI}/V_{OQ})|$  at  $\omega = \omega_o$ .

$$\Phi_{\text{error}} = 90^\circ - \left( \tan^{-1} \left( 1 - 2 \frac{C_L}{C} \right) + \tan^{-1} \left( 1 + 2 \frac{C_L}{C} \right) \right) [\text{deg}]. \quad (8)$$

$$A_{\text{error}} = 10 \times \log \left( \frac{1 + 2 \frac{C_L}{C} + 2 \left(\frac{C_L}{C}\right)^2}{1 - 2 \frac{C_L}{C} + 2 \left(\frac{C_L}{C}\right)^2} \right) [\text{dB}]. \quad (9)$$

The all-pass mode differential configuration can suppress these errors because any output node impedance in Fig. 3(d) is composed of low-pass and high-pass networks as mentioned, and provides counterbalances on the effect of  $C_L$ . Fig. 6 shows the simulation results of the quadrature errors caused by  $C_L$  at  $f = f_o = 12$  GHz for the single-ended and differential QAF, along with the theoretical values evaluated from (8) and (9). For the most practical range of  $\alpha$  ( $\ll 1$ ), the differential I/Q network can reduce  $\Phi_{\text{error}}$  by more than half of that from the single-ended one, and the slope of  $A_{\text{error}}$  is much smaller in the differential case than in the single-ended one.

As the capacitance of the QAF becomes smaller with increasing operating frequencies,  $\alpha$  can go up to moderate values for millimeter-wave applications, causing substantial errors. The lower impedance design of the QAF, where  $C$  can be increased while  $C_L$  kept constant, hence diminishing  $\alpha$ , can relieve this potential problem at the expense of more power

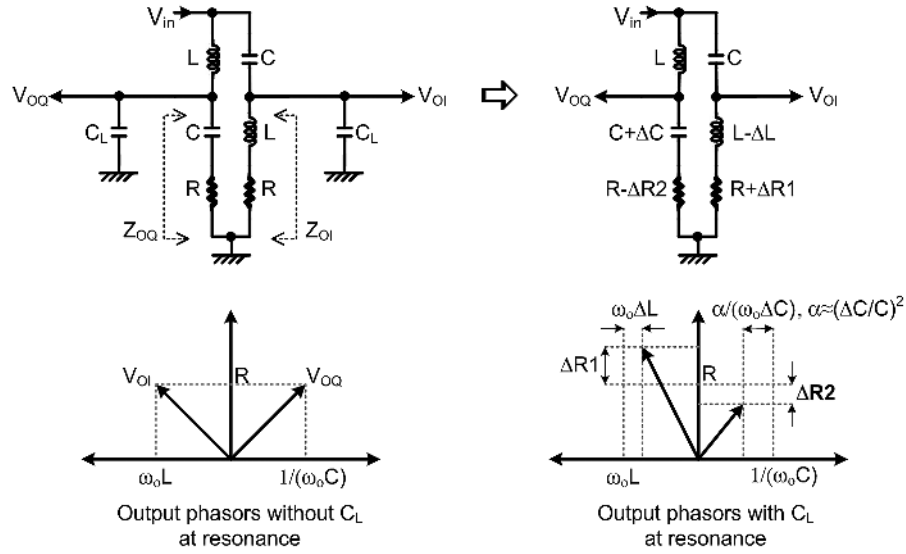
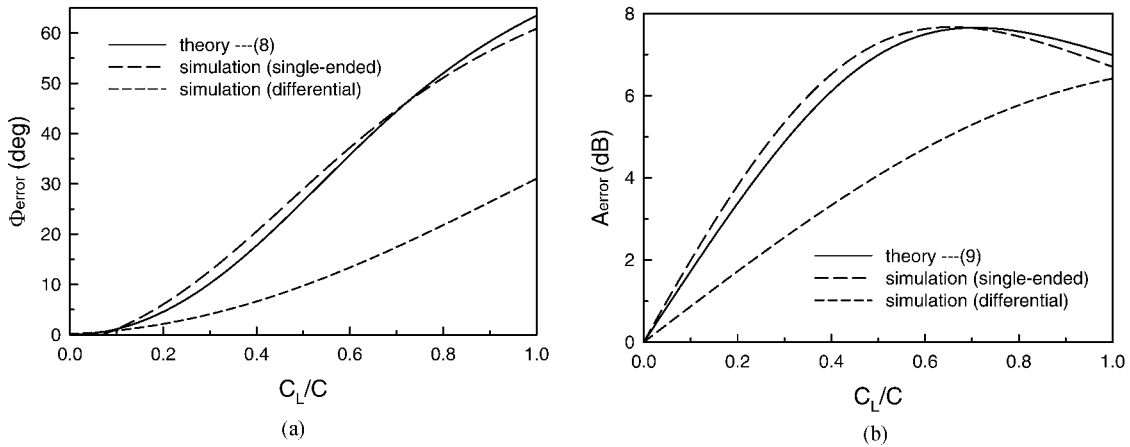


Fig. 5. Single-ended I/Q network under capacitive loading.


 Fig. 6. Quadrature errors from the loading effect of  $C_L$  at  $f = f_o = 12$  GHz. (a) Phase error. (b) Amplitude error. All simulations were done by SPECTRE with foundry passive models ( $L = 639$  pH ( $Q_{\text{ind}} = 18.6 @ 12$  GHz,  $f_{\text{SR}} = 50$  GHz),  $C = 275$  fF and  $R = 48.2 \Omega$ ).

consumption for driving the low impedance from the previous stage of the QAF. Another appropriate solution is to insert a source follower after the QAF, which will minimize  $C_L$  from the gate of an input transistor of the following stage.

In this work, for the X- and Ku-band phase shifter, the QAF is designed with differential  $50 \Omega$  [ $2R = 100 \Omega$  in Fig. 3(d)] for impedance matching with the previous stage. For  $f_o = 12$  GHz, the final optimized values of  $L$  and  $C$  through SPECTRE simulations are  $L = 698$  pH ( $Q_{\text{ind}} = 18 @ 12$  GHz) and  $C = 300$  fF. This takes into account about 70 fF of input pad capacitance and 50 fF of  $C_L$  which includes the input capacitance of the following stage (a differential adder) and the parasitic layout capacitance. For the K-band phase shifter, the optimized passive component values are  $L = 296$  pH ( $Q_{\text{ind}} = 17.6 @ 24$  GHz),  $C = 153.5$  fF and  $R = 47.5 \Omega$  [ $2R = 95 \Omega$  in Fig. 3(d)]. The inductors are realized incorporating the parasitic layout inductance using the foundry models with full-wave electromagnetic simulations. With all the parasitic capacitances, Monte Carlo simulations assuming

Gaussian distributions of  $\Delta L_p/L$  ( $\pm 5\%$ ),  $\Delta C_p/C$  ( $\pm 5\%$ ) and  $\Delta R_p/R$  ( $\pm 10\%$ ), show about a maximum  $\pm 5^\circ$  of quadrature phase error within  $\pm 1\sigma$  statistical variations at 12 GHz. Within  $\pm 3\sigma$  variations, the maximum I/Q phase error is  $\pm 15^\circ$  and I/Q amplitude mismatch is  $1.2 \pm 0.3$  dB for the X- and Ku-band QAF. For the K-band design, the phase error distribution is  $-5^\circ \sim 13^\circ$  within  $\pm 1\sigma$  variations at  $f_o = 24$  GHz. Within  $\pm 3\sigma$  variations, the phase error ranges from  $-15^\circ$  to  $+18^\circ$  and amplitude mismatch is  $2.3 \pm 0.6$  dB, which are just enough for distinguishing  $22.5^\circ$  of phase quantization levels.

### B. Analog Differential Adder

Fig. 7(a) shows the analog differential *signed*-adder, which adds the  $V$ - $I$  converted I- and Q-input from a QAF together in the current domain at the output node, synthesizing the required phase. The size of the input transistors  $M_{1-8}$  ( $W/L = 40/0.12$ ) is optimized through SPECTRE simulations with respect to the linearity. The polarity of each I/Q input can be reversed by switching the tail current from one side to the other with

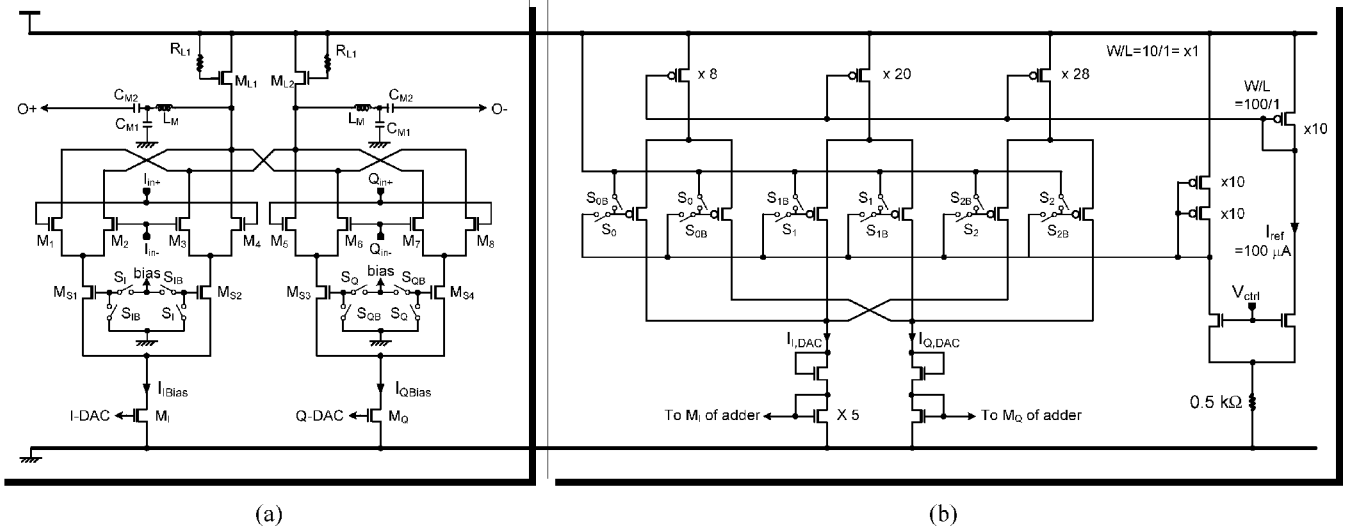


Fig. 7. (a) Analog differential adder with output impedance matching networks. (b) Three-bit differential DAC for bias current controls of the adder.

switches  $S_I/S_{IB}$  and  $S_Q/S_{QB}$ . As the phase shifter is designed to be integrated with multiple arrays on-chip, the small form factor is a critical consideration, leading to the use of an active inductor load composed of  $M_{L1-2}$  and  $R_{L1-2}$ , instead of an on-chip spiral inductor. The equivalent output impedance from the active inductor load can be expressed as  $R_{eq} + j\omega L_{eq}$ , where  $R_{eq} = 1/g_m$ ,  $L_{eq} = R_{L1,2} \times (C_{gs} + C_{gd})/g_m$  [29]. The  $C_{gs}$  and  $C_{gd}$  are gate-source and gate-drain parasitic capacitances of  $M_{L1-2}$ , respectively, and  $g_m$  is the transconductance of  $M_{L1-2}$ , expressed as  $g_m = \sqrt{\{\mu_{eff} C_{ox} W/L \times (I_{IBias} + I_{QBias})\}}$ . For measurement purposes only,  $L_M$ ,  $C_{M1}$ , and  $C_{M2}$  constitute a wideband 50  $\Omega$  matching T-network (differentially 100  $\Omega$ ) of which maximum circuit node Q looking toward the 50  $\Omega$  load from the matching network is less than 1.

For the X- and Ku-band phase shifter, the total bias current ( $= I_{IBias} + I_{QBias}$ ) in the differential adder is 5 mA from a 1.5 V supply voltage. This provides roughly  $R_{eq} \approx 30 \Omega$  and  $L_{eq} \approx 1.3$  nH ( $Q_{ind} \approx 3.2 @ 12$  GHz) from the active inductor load with  $R_{L1-2} = 500 \Omega$  and  $W/L = 100/0.12$  of  $M_{L1-2}$ . In the SPECTRE simulations including I/O pad parasitics, the phase shifter shows  $-2 \sim 0$  dB of differential voltage gain at 5-20 GHz. The peak gain variance is less than 2.4 dB and the worst case phase error at 12 GHz is less than  $5.2^\circ$  for all 4-bit phase states. The phase shifter achieves typically  $-4.7$  dBm of input  $P_{1dB}$  at 12 GHz. The  $S_{11}$  is below  $-10$  dB at 8–16.7 GHz and  $S_{22}$  is less than  $-10$  dB at 6.7–16 GHz with  $L_M = 691$  pH ( $Q_{ind} = 18.5 @ 12$  GHz),  $C_{M1} = 76.8$  fF and  $C_{M2} = 535$  fF.

For the K-band phase shifter, with 7 mA of DC current in the adder, and with  $R_{L1-2} = 430 \Omega$  and  $W/L = 50/0.12$  of  $M_{L1-2}$  ( $R_{eq} \approx 38 \Omega$  and  $L_{eq} \approx 930$  pH), the differential voltage gain is  $-6 \sim -2.5$  dB at 15–30 GHz in simulations. At 24 GHz, the peak gain error is less than 3.5 dB and the peak phase error is less than  $9.5^\circ$  for all phase bits. The input  $P_{1dB}$  at 24 GHz is  $-1.3$  dBm. The  $S_{11}$  is less than  $-10$  dB at 15–33 GHz and  $S_{22}$  is below  $-10$  dB at 15–28.2 GHz with  $L_M = 364$  pH ( $Q_{ind} = 17.2 @ 24$  GHz),  $C_{M1} = 87.5$  fF and  $C_{M2} = 535$  fF in the SPECTRE simulations.

TABLE I  
LOGIC MAPPING TABLE FOR THE SWITCH CONTROLS

4-bit Input ABCD	Output Phase	Adder		DAC		Control Logics
		$S_I$	$S_Q$	$S_0$	$S_1$	
0000	$0^\circ$	+	x	+	+	+
0001	$22.5^\circ$	+	+	-	+	+
0010	$45^\circ$	+	+	-	-	+
0011	$67.5^\circ$	+	+	+	-	-
0100	$90^\circ$	x	+	-	-	-
0101	$112.5^\circ$	-	+	+	-	-
0110	$135^\circ$	-	+	-	-	+
0111	$157.5^\circ$	-	+	-	+	+
1000	$180^\circ$	-	x	+	+	+
1001	$202.5^\circ$	-	-	-	+	+
1010	$225^\circ$	-	-	-	-	+
1011	$247.5^\circ$	-	-	+	-	-
1100	$270^\circ$	x	-	-	-	-
1101	$292.5^\circ$	+	-	+	-	-
1110	$315^\circ$	+	-	-	-	+
1111	$337.5^\circ$	+	-	-	+	+

x=DON'T CARE, +=HIGH, -=LOW

### C. DAC

The gain controls of the I- and Q-path of the adder for 4-bit phase resolution can be achieved by changing the bias current ratios between the two paths. For instance, a 6:1 ratio between  $I_{IBias}$  and  $I_{QBias}$  results in  $\sqrt{6}:1$   $g_m$  ratio between the I- and Q-paths of the adder based on the long channel model, leading to an output phase of  $\tan^{-1}(1/\sqrt{6}) \approx 22.2^\circ$ , which is a good approximation for low-level gate overdriving and well matched with the simulation results. This is only  $0.3^\circ$  error from the 4-bit resolution, indicating that the phase shifter can achieve a high accuracy by simple DC bias current controls. A current-mode differential DAC shown in Fig. 7(b) sets the bias current ratios

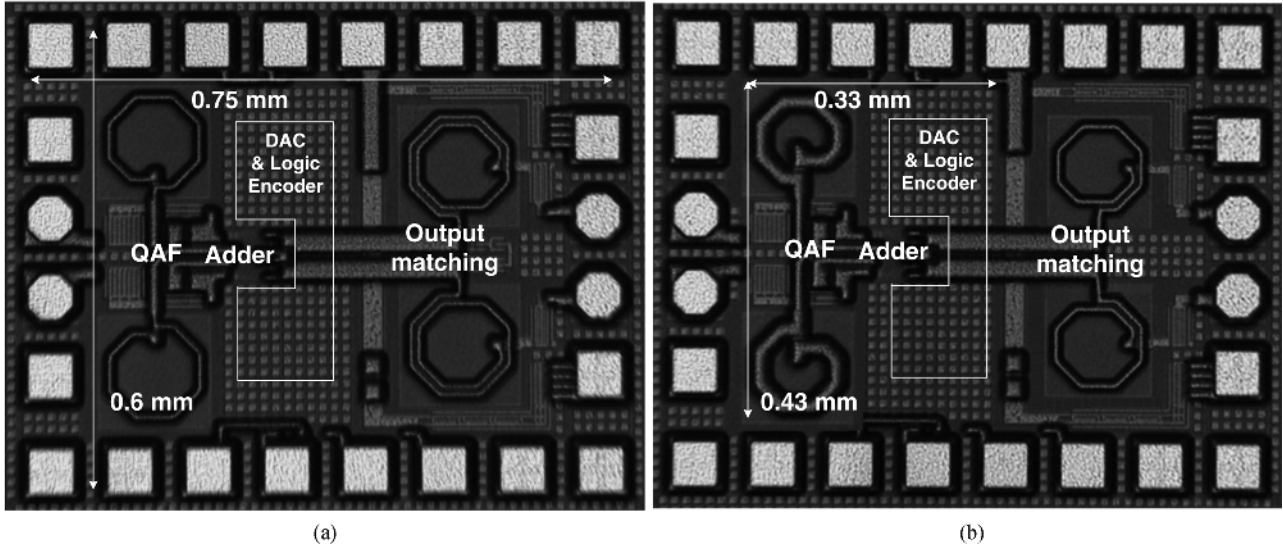


Fig. 8. Chip microphotograph. (a) X- and Ku-band phase shifter. (b) K-band phase shifter.

of the I- and Q-paths of the adder through mirroring to the current source of  $M_{I,Q}$  for 4-bit phase synthesis. Table I shows the control logics for the pMOS switches  $S_0$ ,  $S_1$ , and  $S_2$  in the DAC, and nMOS switches  $S_I$  and  $S_Q$  in the adder. “+” means logically *high* (= *on*-state) and “-” is logically *low* (= *off*-state).  $S_{nB}$ , where  $n = I, Q, 1, 2$ , and 3, is just the logic inversion of  $S_n$ .

The differential architecture of the phase shifter causes the  $0^\circ$ -bit,  $22.5^\circ$ -bit, and  $45^\circ$ -bit to be fundamental bits, as the others can be obtained by reversing the switch polarities of these bits in the adder and/or in the DAC (see Table I). It should be also emphasized that the logic and scaling of current sources of the DAC are set such that for all 4-bit phase states, the load current in the adder keeps a constant value, i.e.,  $I_{IBias} + I_{QBias} = \text{constant}$  for all phase bits. This results in a constant impedance of the active inductor load, and the same amplitude response proportional to  $\sqrt{(I_{IBias} + I_{QBias})}$  for all phase states. For instance, for all the cases of  $0^\circ$ -bit,  $22.5^\circ$ -bit, and  $45^\circ$ -bit, the scaling factors of the output load current in the adder have the same values of  $5.6 \times I_{ref}$  and the gain can be expressed as  $\kappa \times \sqrt{(5.6 \times I_{ref})}$ , where  $\kappa$  is a constant determined by a transistor size of  $M_{1-8}$ , process parameters such as  $\mu_{eff}$  and  $C_{ox}$ , load impedance and current mirroring ratio from DAC to adder. To improve current matching, the DAC is designed with long channel CMOS ( $L = 1 \mu\text{m}$ ). The control logics are implemented with static CMOS gates.

#### IV. EXPERIMENTAL RESULTS AND DISCUSSIONS

The phase shifters are realized in IBM 0.13- $\mu\text{m}$  one-poly eight-metal (1P8M) CMOS technology. To improve signal balance, all the signal paths have symmetric layouts. The fabricated die microphotographs are shown in Fig. 8. The core size excluding output matching networks for both phase shifters is  $0.33 \times 0.43 \text{ mm}^2$ , and the total size including all the pads and matching circuits is  $0.75 \times 0.6 \text{ mm}^2$ . The phase shifters are measured on-chip with external  $180^\circ$  hybrid couplers (Krytar, loss = 0.5–1.5 dB @ 5–26 GHz) for differential signal inputs

and outputs. The balun loss is calibrated out with a standard differential SOLT calibration technique using a vector signal network analyzer (Agilent, PNA-E8364B).

As the input reflection coefficient is dominantly set by the quadrature network, a changing phase at the adder does not disturb the  $S_{11}$  characteristic. The  $S_{22}$  characteristics also do not change for different phase settings, as the output load currents are the same for all phase states, resulting in a constant output impedance from the active load as discussed. Fig. 9 displays the typical measurement results of the input and output return losses, together with the simulation curves. For X- and Ku-band phase shifters, the  $S_{11}$ , converted into differential  $50 \Omega$  reference using ADS, is below  $-10$  dB from 8.5 GHz to 17.2 GHz. In differential  $100 \Omega$  reference, the phase shifter shows less than  $-10$  dB of  $S_{22}$  in the 6.3–16.5 GHz range. For the K-band phase shifter, the measured  $S_{11}$  is below  $-10$  dB at 16.8–26 GHz and the  $S_{22}$  is less than  $-10$  dB at 17–26 GHz. The external  $180^\circ$  hybrid couplers limit the maximum measurement frequency for the K-band case.

##### A. QAF Characteristics

The measurement of the  $0^\circ$ -/ $180^\circ$ -bit and  $90^\circ$ -/ $270^\circ$ -bit at the final output of the phase shifters should reflect the QAF characteristics exactly (Fig. 10). The dashed curves correspond to simulations with 50 fF loading capacitance. For the QAF of the X- and Ku-band phase shifters, the peak I/Q phase error is less than  $5.5^\circ$  and gain error is less than 1.5 dB at 12 GHz. The  $10^\circ$  phase error frequency range is from 5.5–17.5 GHz. The peak I/Q gain error at 5–20 GHz is less than 2.4 dB. For the K-band QAF, the quadrature phase error varies from  $2.7^\circ$  at 15 GHz to a maximum of  $15.2^\circ$  at 26 GHz. The I/Q amplitude error of the K-band QAF is 1.76–3.3 dB at 15–26 GHz.

##### B. X- and Ku-Band Phase Shifters

For the X- and Ku-band phase shifters, Fig. 11(a) and (b) shows the frequency responses of the unwrapped insertion phases and insertion gains according to the 4-bit digital input



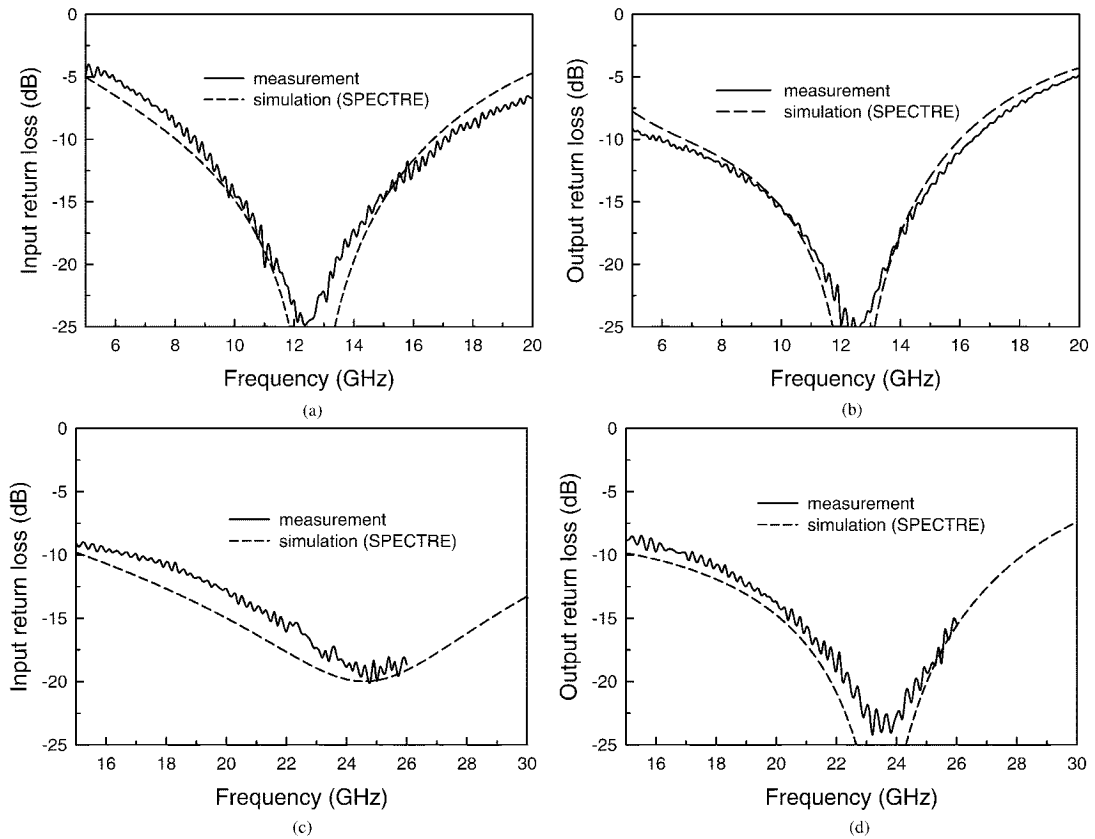


Fig. 9. Measured results of input and output return loss of the phase shifters. (a)  $S_{11}$  of the X- and Ku-band phase shifter. (b)  $S_{22}$  of the X- and Ku-band. (c)  $S_{11}$  of the K-band phase shifter. (d)  $S_{22}$  of the K-band phase shifter.

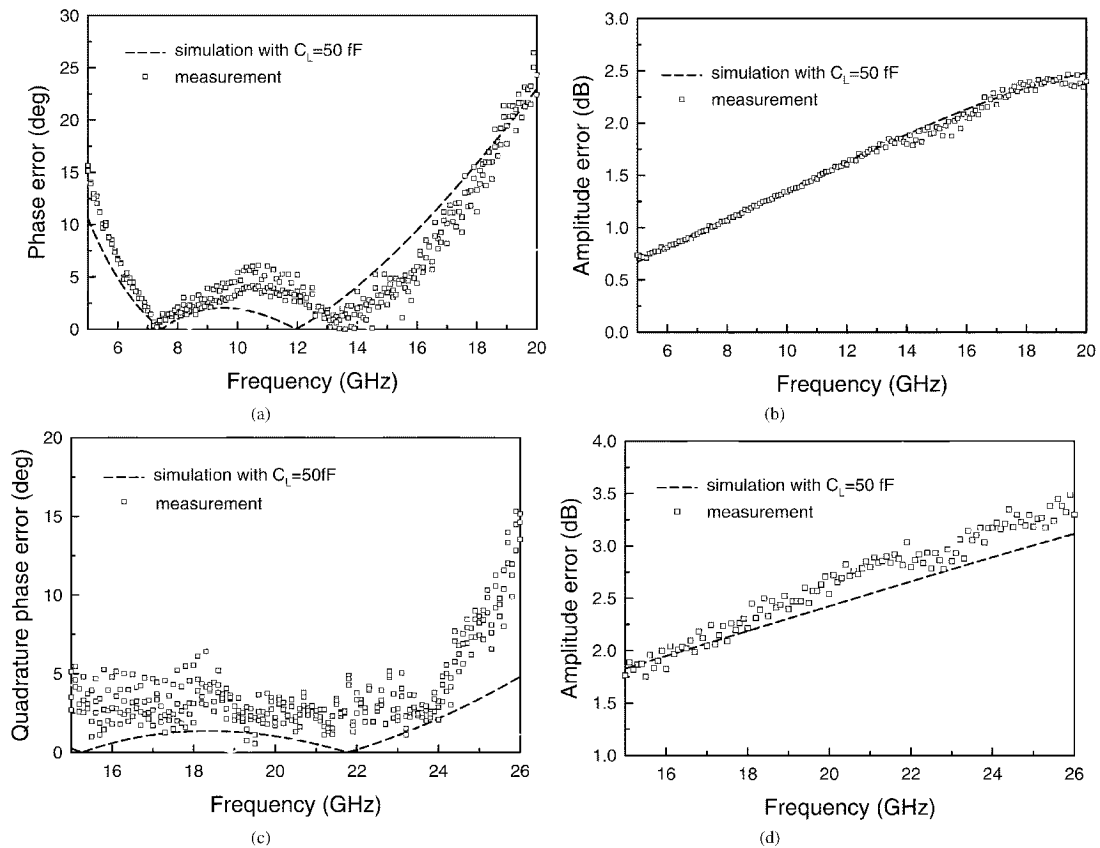


Fig. 10. Quadrature error characteristics of the I/Q networks measured at the output of the adder. (a) I/Q phase error of the X- and Ku-band QAF. (b) I/Q amplitude error of the X- and Ku-band QAF. (c) I/Q phase error of the K-band QAF. (d) I/Q amplitude error of the K-band QAF. All simulations were done with SPECTRE.

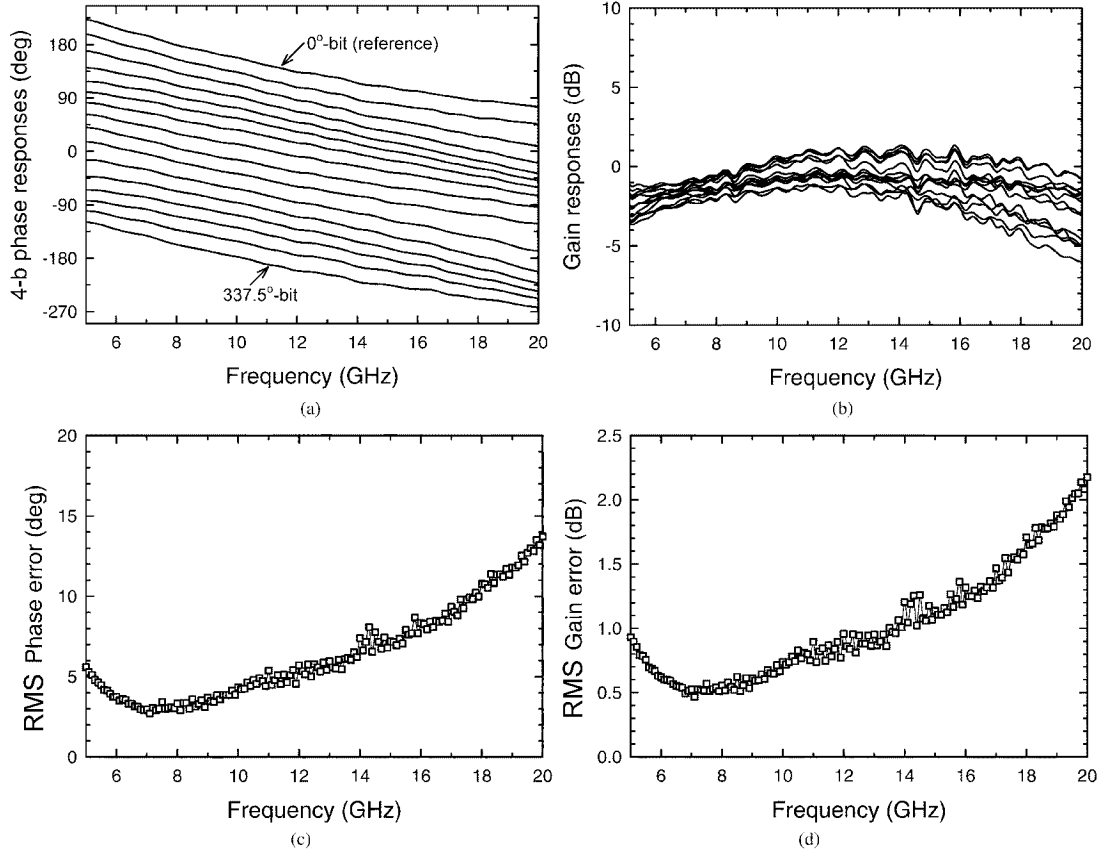


Fig. 11. Measured insertion phase and gain of the X- and Ku-band phase shifter with 4-bit digital inputs. (a) Insertion phase. (b) Insertion gain. (c) RMS phase error. (d) RMS gain error.

codes, measured from 5 to 20 GHz. At 12 GHz, the measured peak-to-peak phase error is  $-8.5^\circ \sim 9.1^\circ$  and the peak-to-peak insertion gain is  $-1.5 \sim 1.2$  dB for all phase states. The average differential gain ranges from  $-3$  dB at 20 GHz to  $-0.2$  dB at around 11–12 GHz. The peak-to-peak gain variations are minimum 1.4 dB at 7 GHz and maximum 5.4 dB at 20 GHz. With reference to  $0^\circ$ -bit which comes from a 0000 digital input code, the RMS phase error can be defined as

$$\theta_{\Delta, \text{RMS}} = \sqrt{\frac{1}{N-1} \times \sum_{i=2}^N |\theta_{\Delta i}|^2} \text{ (deg)} \quad (10)$$

where  $N = 16$  and  $\theta_{\Delta i}$  means the  $i$ th output phase error from the ideal phase value corresponding to the  $i$ th digital input sequence in Table I. Similarly, the RMS gain error can be defined as

$$A_{\Delta, \text{RMS}} = \sqrt{\frac{1}{N} \times \sum_{i=1}^N |A_{\Delta i}|^2} \text{ (dB)} \quad (11)$$

where  $A_{\Delta i}$  (dB) =  $A_{vi}$  (dB)  $- A_{\text{ave}}$  (dB). The  $A_{vi}$  is  $i$ th insertion gain in dB-scale corresponding to  $i$ th digital input order and  $A_{\text{ave}}$  is the average insertion gain in dB-scale also.

The RMS phase error and gain error, calculated at each measured frequency, are shown in Fig. 11(c) and (d), respectively. The phase shifter exhibits less than  $5^\circ$  RMS phase error from 5.3 GHz to about 12 GHz. The  $10^\circ$  RMS error frequency range goes up to 18 GHz, achieving 5-bit accuracy across more than 3:1 bandwidth. The RMS gain error is less than 2.2 dB for 5–20 GHz. The phase shifter achieves  $-5.4 \pm 1.3$  dBm of input  $P_{1\text{dB}}$  at 12 GHz for all 4-bit phase states with 5.8 mA of DC current consumption from a 1.5 V supply voltage.

### C. K-Band Phase Shifter

Fig. 12(a) shows the measured insertion phases with 4-bit digital input codes of the K-band phase shifter. The insertion loss characteristics are shown in Fig. 12(b), and the RMS phase errors and gain errors versus frequency are presented in Fig. 12(c) and (d), respectively. The RMS phase error is  $6.5^\circ$ – $13^\circ$  at 15–26 GHz. The average insertion loss varies from  $-4.6$  dB at 15 GHz to  $-3$  dB at around 24.5–26 GHz. The peak-to-peak gain variations are minimum 3.3 dB at 15.4 GHz and maximum 6.3 dB at 25.6 GHz. The RMS gain error is less than about 2.1 dB from 15 to 26 GHz. As shown in Fig. 11(c) and (d) and in Fig. 12(c) and (d), the RMS phase errors versus frequency have strong correlations with the RMS gain error patterns versus frequency. This is a typical characteristic of the proposed phase shifter; because the output phase in the phase shifter is set by the gain factors of the I- and Q-

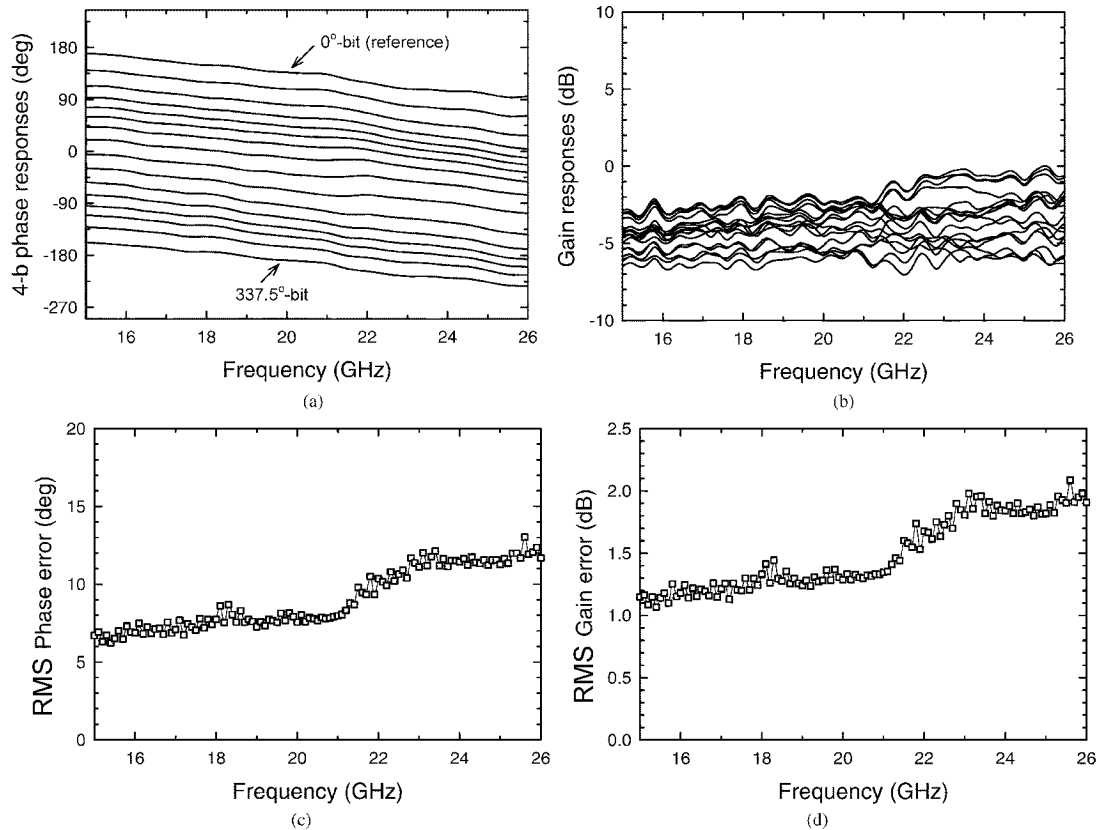


Fig. 12. Measured insertion phase and gain of the K-band phase shifter with 4-bit digital inputs. (a) Insertion phase. (b) Insertion gain. (c) RMS phase error. (d) RMS gain error.

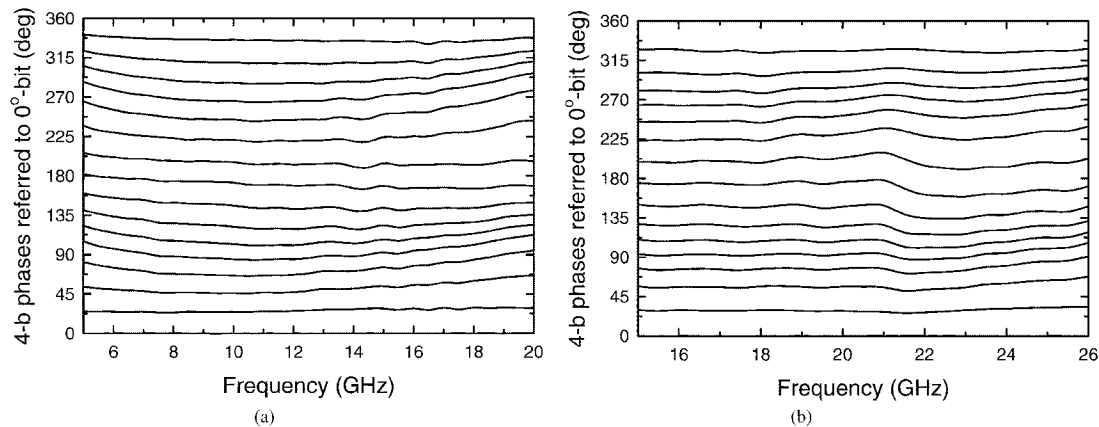


Fig. 13. Measured 4-bit phases referred to  $0^\circ$ -bit. (a) X- and Ku-band phase shifter. (b) K-band phase shifter.

input of the adder, any gain error indicates the scale of the phase error. The measured input  $P_{1\text{dB}}$  is  $-0.8 \pm 1.1$  dBm for all phase states at 24 GHz. The total current consumption is 7.8 mA from a 1.5 V supply voltage.

Finally, the  $0^\circ$ -bit response is subtracted from all the measured 4-bit phase responses and the results show nearly constant 4-bit phase shift versus frequency for each phase shifter (Fig. 13). These results also imply that although the phase accuracy is dependent on the accuracy of the I/Q network, the phase shifter can guarantee the output phase monotonicity versus input digital control sequences, one of the fundamental merits of the

active phase shifters over passive designs. All the measured results are summarized in Table II.

## V. CONCLUSION

In this work, we demonstrate  $0.13\text{-}\mu\text{m}$  CMOS 4-bit active digital phase shifters for X-, Ku-, and K-band multiple antenna array applications. The fundamental operation of the active phase shifters is to interpolate the phases of the quadrature input signals by adding two I/Q inputs. Resonance-based differential quadrature networks are developed to minimize loss and to increase the operating bandwidth with excellent signal

TABLE II  
PERFORMANCE SUMMARIES OF THE PHASE SHIFTERS

Quantity	Measured Results	
Technology	0.13- $\mu\text{m}$ CMOS (1P8M)	
Phase resolution	4-bit	
Frequency band	X- and Ku-band (6-18 GHz)	K-band (15-26 GHz)
Power consumption	8.7 mW ( $I_{\text{DC}}=5.8$ mA, $V_{\text{DC}}=1.5$ V)	11.7 mW ( $I_{\text{DC}}=7.8$ mA, $V_{\text{DC}}=1.5$ V)
Insertion gain (ave.)	-2.1 ~ -0.2 dB (max @11 GHz, min @6 GHz)	-4.6 ~ -3 dB (max @24.6 GHz, min @15 GHz)
Phase error (rms)	2.7 ~ 10° (max @18 GHz, min @7 GHz)	6.5 ~ 13° (max @25.6 GHz, min @15 GHz)
Gain error (rms)	0.5 ~ 1.7 dB (max @18 GHz, min @7 GHz)	1.1 ~ 2.1 dB (max @25.6 GHz, min @15 GHz)
Input P1dB	-5.4 (+/- 1.3) dBm @ 12 GHz	-0.8 (+/- 1.1) dBm @ 24 GHz
Input return loss	< -10 dB @ 8.5-17.2 GHz	< -10 dB @ 16.8-26 GHz
Output return loss	< -10 dB @ 6.3-16.5 GHz	< -10 dB @ 17-26 GHz
Chip area	0.33 x 0.43 mm <sup>2</sup> (core) 0.75 x 0.6 mm <sup>2</sup> (including pads)	

precision in the phase shifters. The measured characteristics are well matched with theory and simulations from SPECTRE. The core size of the integrated phase shifters with all digital control circuitry is  $0.33 \times 0.43$  mm<sup>2</sup>, which is a very small area. With all the performance figures, power consumption and size, the proposed active CMOS phase shifters are excellent candidates for integrated phased array systems.

#### REFERENCES

- [1] R. G. Stewart and M. N. Giuliano, "X band integrated diode phase shifter," in *G-MTT Int. Microwave Symp. Dig.*, May 1968, pp. 147–154.
- [2] R. W. Burns and R. L. Holden, "A compact S-band diode phase shifter," in *G-MTT Int. Microwave Symp. Dig.*, Jun. 1973, pp. 298–300.
- [3] R. P. Coats, "An octave-band switched-line microstrip 3-b diode phase shifter," *IEEE Trans. Microw. Theory Tech.*, vol. MTT-21, no. 7, pp. 444–449, Jul. 1973.
- [4] R. N. Hardin, E. J. Downey, and J. Munushian, "Electronically variable phase shifter utilizing variable capacitance diodes," *Proc. Inst. Radio Eng.*, vol. 48, pp. 944–945, May 1960.
- [5] J. F. White, "Diode phase shifters for array antennas," *IEEE Trans. Microw. Theory Tech.*, vol. MTT-22, no. 6, pp. 658–674, Jun. 1974.
- [6] J. P. Srsarski, "Optimization of the matching network for a hybrid coupler phase shifter," *IEEE Trans. Microw. Theory Tech.*, vol. MTT-25, no. 8, pp. 662–666, Aug. 1977.
- [7] J. F. White, "High power, p-i-n diode controlled, microwave transmission phase shifters," *IEEE Trans. Microw. Theory Tech.*, vol. MTT-13, no. 2, pp. 233–242, Mar. 1965.
- [8] F. L. Opp and W. F. Hoffman, "Design of digital loaded-line phase shift networks for microwave thin-film applications," *IEEE J. Solid-State Circuits*, vol. SSC-3, no. 2, pp. 124–130, Jun. 1968.
- [9] M. E. Davis, "Integrated diode phase-shifter elements for an X-band phased-array antenna," *IEEE Trans. Microw. Theory Tech.*, vol. MTT-23, no. 12, pp. 1080–1084, Dec. 1975.
- [10] F. Ellinger, H. Jackel, and W. Bachtold, "Varactor-loaded transmission-line phase shifter at C-band using lumped elements," *IEEE Trans. Microw. Theory Tech.*, vol. 51, no. 4, pp. 1135–1140, Apr. 2003.
- [11] T. M. Hancock and G. M. Rebeiz, "A 12-GHz SiGe phase shifter with integrated LNA," *IEEE Trans. Microw. Theory Tech.*, vol. 53, no. 3, pp. 977–983, Mar. 2005.
- [12] C. Lu, A.-V. H. Pham, and D. Livezey, "Development of multiband phase shifters in 180-nm RF CMOS technology with active loss compensation," *IEEE Trans. Microw. Theory Tech.*, vol. 54, no. 1, pp. 40–45, Jan. 2006.
- [13] F. Ali and A. Podell, "A wideband GaAs monolithic spiral quadrature hybrid and its circuit applications," *IEEE J. Solid-State Circuits*, vol. 26, no. 10, pp. 1394–1398, Oct. 1991.
- [14] F. Ellinger, R. Vogt, and W. Bachtold, "Ultracompact reflective-type phase shifter MMIC at C-band with 360° phase-control range for smart antenna combining," *IEEE J. Solid-State Circuits*, vol. 37, no. 4, pp. 481–486, Apr. 2002.
- [15] H. Zarei and D. J. Allstot, "A low-loss phase shifter in 180 nm CMOS for multiple-antenna receivers," in *IEEE Int. Solid-State Circuits Conf. Dig. Tech. Papers*, 2004, pp. 392–534.
- [16] Y. Ayasli, S. W. Miller, R. Mozzi, and L. K. Hanes, "Wide-band monolithic phase shifter," *IEEE Trans. Microw. Theory Tech.*, vol. MTT-32, no. 12, pp. 1710–1714, Dec. 1984.
- [17] C. F. Campbell and S. A. Brown, "A compact 5-bit phase-shifter MMIC for K-band satellite communication systems," *IEEE Trans. Microw. Theory Tech.*, vol. 48, no. 12, pp. 2652–2656, Dec. 2000.
- [18] D.-W. Kang, H.-D. Lee, C.-H. Kim, and S. Hong, "Ku-band MMIC phase shifter using a parallel resonator with 0.18- $\mu\text{m}$  CMOS technology," *IEEE Trans. Microw. Theory Tech.*, vol. 54, no. 1, pp. 294–301, Jan. 2006.
- [19] M. I. Skolnik, *Introduction to RADAR Systems*, 3rd ed. New York: McGraw-Hill, 2001.
- [20] N. Imai and H. Ichikawa, "One-chip endless phase shifter IC's for space diversity combiner," *IEEE Trans. Circuits Syst. II, Analog Digit. Signal Process.*, vol. 43, no. 4, pp. 281–288, Apr. 1996.
- [21] M. Chua and K. W. Martin, "1 GHz programmable analog phase shifter for adaptive antennas," in *Proc. IEEE Custom Integrated Circuits Conf.*, 1998, pp. 71–74.
- [22] S. J. Kim and N. H. Myung, "A new active phase shifter using a vector sum method," *IEEE Microw. Guided Wave Lett.*, vol. 10, no. 6, pp. 233–235, Jun. 2000.
- [23] P.-S. Wu, H.-Y. Chang, M.-D. Tsai, T.-W. Huang, and H. Wang, "New miniature 15–20-GHz continuous-phase/amplitude control MMICs using 0.18- $\mu\text{m}$  CMOS technology," *IEEE Trans. Microw. Theory Tech.*, vol. 54, no. 1, pp. 10–19, Jan. 2006.
- [24] A. Natarajan, A. Komijani, X. Guan, A. Babakhani, Y. Wang, and A. Hajimiri, "A 77 GHz phased-array transmitter with local LO-path phase-shifting in silicon," in *IEEE Int. Solid-State Circuits Conf. Dig. Tech. Papers*, 2006, pp. 639–648.
- [25] X. Yang and J. Lin, "A digitally controlled constant envelop phase-shift modulator for low-power broadband wireless applications," *IEEE Trans. Microw. Theory Tech.*, vol. 54, no. 1, pp. 96–105, Jan. 2006.
- [26] J. Paramesh, K. Soumyanath, and D. J. Allstot, "A four-antenna receiver in 90-nm CMOS for beamforming and spatial diversity," *IEEE J. Solid-State Circuits*, vol. 40, no. 12, pp. 2515–2524, Dec. 2005.
- [27] K.-J. Koh, M.-Y. Park, C.-S. Kim, and H.-K. Yu, "Subharmonically pumped CMOS frequency conversion (up and down) circuits for 2-GHz WCDMA direct-conversion transceiver," *IEEE J. Solid-State Circuits*, vol. 39, no. 6, pp. 871–884, Jun. 2004.
- [28] S. Alalusi and R. Brodersen, "A 60 GHz phased array in CMOS," in *Proc. IEEE Custom Integrated Circuits Conf.*, 2006, pp. 393–396.
- [29] E. Sackinger, *Broadband Circuits for Optical Fiber Communication*. Hoboken, NJ: Wiley, 2005.



**Kwang-Jin Koh** (S'06) received the B.S. degree in electronic engineering (with honors) from Chung-Ang University in 1999, and the M.S. degree in electrical engineering from Korea Advanced Institute of Science and Technology (KAIST), Korea, in 2001. He is currently working towards the Ph.D. degree at the Department of Electrical and Computer Engineering (ECE), University of California at San Diego. His doctoral study includes analog, RF, and millimeter-wave integrated circuits in silicon technologies.

From 2001 to 2004, he was with the Electronics and Telecommunications Research Institute (ETRI), Korea, where he was engaged in the research and development of RF and analog CMOS integrated circuits for wireless digital communication systems, such as WCDMA and WLAN 802.11a/b/g systems.

Mr. Koh received the Best Paper Award from IEEE SSCS/EDS Seoul Chapter in 2002.



**Gabriel M. Rebeiz** (S'86–M'88–SM'93–F'97) received the Ph.D. degree from the California Institute of Technology, Pasadena.

He is a Professor of Electrical and Computer Engineering (ECE) at the University of California at San Diego. Prior to this appointment, he was at the University of Michigan from 1988 to 2004. He contributed to planar mm-wave and THz antennas and imaging arrays from 1988 to 1998, and to the development of RF MEMS from 1996 to the present. He is the author of the book *RF MEMS: Theory,*

*Design and Technology* (Wiley, 2003). His group recently developed the fastest mm-wave SiGe switch to date (70 ps), and 6–18 GHz and 30–50 GHz 8- and 16-element phased array receivers and transmitters on a single chip, making them the most complex RFICs ever built at this frequency range.

Prof. Rebeiz is an IEEE Fellow, an NSF Presidential Young Investigator, an URSI Koga Gold Medal Recipient, an IEEE MTT Distinguished Young Engineer (2003), is the recipient of the IEEE MTT 2000 Microwave Prize. He also received the College of Engineering Teaching Award, the 1998 Eta-Kappa-Nu Professor of the Year Award, and the 1998 Amoco Teaching Award given to be best undergraduate teacher, all at the University of Michigan. He has been an Associate Editor of IEEE MTT (2000–2003), and a Distinguished Lecturer for IEEE MTT and IEEE AP societies. He leads a group of 18 Ph.D. students at UCSD in the area of mm-wave RFIC, microwaves circuits, RF MEMS, planar mm-wave antennas and terahertz systems.