



Departament de Teoria  
del Senyal i Comunicacions



UNIVERSITAT POLITÈCNICA DE CATALUNYA



---

# A Long Term Evolution Link Level Simulator

Albert Serra Pagès

Thesis for the degree of European Master of Research on Information and  
Communication Technologies at the

Universitat Politècnica de Catalunya

February, 2009

---

Thesis Advisor:

Juan José Olmos Bonafé

Professor of Department of Signal

Theory and Communications

UPC

## **Abstract**

3GPP LTE (Long Term Evolution) is the evolution of the UMTS which will make possible to deliver next generation high quality multimedia services according to the users' expectations. Since the LTE performance evaluation needs link and system level simulations, a software tool to simulate the LTE Downlink based on OFDM technology with MIMO antenna processing is presented in this master thesis. This simulator contains the MIMO algorithms, the spatial channel models and modulation and coding schemes for LTE. The result of this simulator serves to evaluate the OFDM-MIMO LTE Link Level performance in different environments and create link level look-up tables to be used as an input for a future LTE system level simulator.

# Table of Contents

|   |           |
|---|-----------|
| <b>Chapter 1. Introduction.....</b>   | <b>1</b>  |
| 1.1.Outline of this Master Thesis.....  | 3         |
| <b>Chapter 2. Overview of the 3GPP LTE Air Interface .....</b>                              | <b>4</b>  |
| 2.1. 3GPP LTE Air Interface basic concepts.....   | 4         |
| 2.2. Key Technologies of the 3GPP LTE Air Interface.....                                    | 5         |
| 2.2.1. OFDM .....   | 5         |
| 2.2.2. MIMO .....   | 8         |
| 2.3. LTE Downlink Physical Layer overview.....  | 10        |
| 2.3.1. LTE radio interface protocol architecture.....                                       | 10        |
| 2.3.1. DL Physical Layer features.....  | 12        |
| 2.3.2. DL Frame Structure and physical resource elements.....                               | 15        |
| <b>Chapter 3. DL Link Level Simulator Overview.....</b>                                     | <b>17</b> |
| 3.1. DL Link Level Simulator description.....   | 17        |
| 3.1. E-UTRA physical channel modulation .....   | 19        |
| 3.2. LTE downlink physical channel processing .....   | 20        |
| <b>Chapter 4. E-UTRA DL Link Level Simulator: MIMO-OFDM physical channel.....</b>           | <b>23</b> |
| 4.1. MIMO Wideband Mobile Channel Model.....  | 23        |
| 4.2. Narrowband channel model per subcarrier in MIMO-OFDM system.....                       | 25        |
| 4.3. Correlation-based MIMO radio channel stochastic model.....                             | 26        |
| 4.4. Physical interpretation of full MIMO channel knowledge.....                            | 30        |
| 4.5. MIMO Techniques.....   | 32        |
| 4.5.1. Open Loop Spatial Multiplexing: ZF and MMSE .....                                    | 33        |
| 4.5.2. Open Loop Transmit Diversity: SFBC.....  | 35        |
| <b>Chapter 5. UTRA DL Link Level Simulator: Channel Coding, Rate Matching and HARQ.....</b> | <b>37</b> |
| 5.1. Channel Coding and Rate Matching features.....   | 37        |
| 5.1. E-UTRA Turbo Coding.....   | 39        |
| 5.2. LTE Rate Matching and HARQ processes for turbo coded transport channels.....           | 43        |

|  |           |
|--|-----------|
| <b>Chapter 6. Simulations and results</b> .....                                      | <b>45</b> |
| 6.1. Link Level Simulator Parameters.....  | 45        |
| 6.2. Validation of the SISO and MIMO OFDM multipath channel.....                     | 47        |
| 6.3. Performance of the different LTE Downlink AMC schemes with MIMO assumption..... | 48        |
| <b>Chapter 7. Conclusions and Future Work</b> .....                                  | <b>52</b> |
| <b>Bibliography</b> .....  | <b>53</b> |
| <b>Appendixes</b> .....  | <b>57</b> |
| Appendix 1.E-UTRA DL Link Level Performance Results.....                             | 57        |
| A1.1.E-UTRA DL Link Level Throughput.....  | 57        |

## List of Figures

|  |    |
|--|----|
| Figure 2.1: Block diagram of an SISO OFDM based transmission system. ....                                      | 7  |
| Figure 2.2: Block diagram of a NRX·MTX MIMO-OFDM based transmission system. ....                               | 9  |
| Figure 2.3: Radio interface protocol architecture around the physical layer.....                               | 10 |
| Figure 2.4: LTE Downlink Resource Grid.....  | 16 |
| Figure 3.1: Interface between link level and system level simulations.....                                     | 17 |
| Figure 3.2: Flow diagram of LTE Link Level simulator.....  | 19 |
| Figure 3.3: LTE downlink signal processing for transmit diversity and spatial multiplexing.....                | 21 |
| Figure 4.1: Two antenna arrays in a scattering environment.....  | 24 |
| Figure 4.2: Scheme of a MIMO-OFDM broadband system.....  | 25 |
| Figure 4.3: Flow chart of the Kronecker correlated channel coefficient generation (Source [42]).....           | 29 |
| Figure 4.4: Equivalence of the MIMO physical model based on SVD channel decomposition.....                     | 30 |
| Figure 4.5: Block diagram of the MIMO Spatial Multiplexing with Linear detection.....                          | 33 |
| Figure 4.6: Block diagram of the MIMO Trasnmit Diversity: 2x2 SFBC with Alamouti Code and MRC..                | 35 |
| Figure 5.1: E-UTRA DL Link Level Simulator block diagram.....  | 38 |
| Figure 5.2: Structure of rate 1/3 turbo encoder (dotted lines apply for trellis termination only).....         | 40 |
| Figure 5.3: Block diagram of the turbo decoder. ....   | 41 |
| Figure 5.4: Trellis of each 8-state constituent encoders.. ....  | 42 |
| Figure 5.5: Rate Matching for turbo coded transport channels [8].....  | 43 |
| Figure 5.6: Circular Buffer Representation .....   | 44 |
| Figure 6.1: EPA channel Power Delay Profile.....   | 45 |
| Figure 6.2: Uncoded BER validation of DL 2 x 2 Uncorrelated SISO channel .....                                 | 47 |
| Figure 6.3: Uncoded BER validation of DL 2 x 2 Uncorrelated MIMO channel .....                                 | 48 |
| Figure 6.4: Uncoded BER performance results in case of Spatial Multiplexing, ZF Detector and 2 x 2 MIMO .....  | 49 |
| Figure 6.5: Uncoded BER performance results in case of Spatial Multiplexing, MMSE Detector and 2 x 2 MIMO..... | 49 |
| Figure 6.6: Uncoded BER performance results in case of Transmit Diversity, Alamouti/MRC and 2 x 2 MIMO.....    | 50 |

Figure 6.7: E-UTRA DL AMC 2x2 MIMO link level throughput of the MCS classes with H-ARQ (8 turbo decoding iterations. Code block size: 40-120 bits).....51

Figure A.1: E-UTRA DL AMC link level throughput with H-ARQ in AWGN SISO channel (8 turbo decoding iterations. Code block size: 40-120 bits).....57

Figure A.2: E-UTRA DL AMC link level throughput with H-ARQ in Rayleigh Fading SISO channel (8 turbo decoding iterations. Code block size: 40-120 bits).....58

Figure A.3: E-UTRA DL AMC link level throughput with H-ARQ in 2 x 2 Low Correlated MIMO channel and ZF Detector (8 turbo decoding iterations. Code block size: 40-120 bits).....58

Figure A.4: E-UTRA DL AMC link level throughput with H-ARQ in 2 x 2 Medium Correlated MIMO channel and ZF Detector (8 turbo decoding iterations. Code block size: 40-120 bits).....59

Figure A.5: E-UTRA DL AMC link level throughput with H-ARQ in 2 x 2 High Correlated MIMO channel and ZF Detector (8 turbo decoding iterations. Code block size: 40-120 bits).....59

Figure A.6: E-UTRA DL AMC link level throughput with H-ARQ in 2 x 2 Low Correlated MIMO channel and MMSE Detector (8 turbo decoding iterations. Code block size: 40-120 bits).....60

Figure A.7: E-UTRA DL AMC link level throughput with H-ARQ in 2 x 2 Medium Correlated MIMO channel and MMSE Detector (8 turbo decoding iterations. Code block size: 40-120 bits).....60

Figure A.8: E-UTRA DL AMC link level throughput with H-ARQ in 2 x 2 High Correlated MIMO channel and MMSE Detector (8 turbo decoding iterations. Code block size: 40-120 bits).....61

Figure A.9: E-UTRA DL AMC link level throughput with H-ARQ in 2 x 2 Low Correlated MIMO channel and Transmit Diversity Alamouti/MRC (8 turbo decoding iterations. Code block size: 40-120 bits).....61

Figure A.10: E-UTRA DL AMC link level throughput with H-ARQ in 2 x 2 Medium Correlated MIMO channel and Transmit Diversity Alamouti/MRC (8 turbo decoding iterations. Code block size: 40-120 bits).....62

Figure A.11: E-UTRA DL AMC link level throughput with H-ARQ in 2 x 2 High Correlated MIMO channel and Transmit Diversity Alamouti/MRC (8 turbo decoding iterations. Code block size: 40-120 bits).....62

## List Of Tables

|   |    |
|---|----|
| Table 2.1. LTE Bandwidth and Resource Configuration .....                       | 13 |
| Table 2.2. Downlink Peak Rates for E-UTRA.....                                  | 15 |
| Table 2.3. Physical resource block parameters.....                              | 16 |
| Table 4.1. 3GPP LTE definition of the MIMO correlation matrix coefficients..... | 27 |
| Table 4.2. LTE space frequency block code mapping.....                          | 36 |
| Table 6.1.E-UTRA DL link level parameters.....                                  | 46 |

## Notation

### Acronyms

|         |                                      |
|---------|--------------------------------------|
| 3GPP    | Third Generation Partnership Project |
| AMC     | Adaptive Modulation and Coding       |
| ARQ     | Automatic repeat request/query       |
| BER     | Bit Error Rate                       |
| BLER    | Block Error Rate                     |
| BS      | Base Station                         |
| CP      | Cyclic Prefix                        |
| CSI     | Channel State Information            |
| DFT     | Discrete Fourier transform           |
| DL      | Downlink                             |
| EPS     | Evolved Packet System                |
| E-UTRAN | Evolved UTRAN                        |
| FFT     | Fast Fourier transform               |
| FDD     | Frequency-division duplex            |
| FDM     | Frequency Division Multiplexing      |
| FDMA    | Frequency-division multiple access   |
| HARQ    | Hybrid ARQ                           |
| HSDPA   | High Speed Downlink Packet Access    |



|         |   |
|---------|---|
| HSPA    | High-speed packet access                          |
| IDFT    | Inverse Discrete Fourier Transform                |
| IFFT    | Inverse Fast Fourier Transform                    |
| ISI     | Inter-Symbol Interference                         |
| LTE     | Long-term evolution                               |
| MIMO    | Multiple Input Multiple Output                    |
| PRB     | Physical Resource Block                           |
| OFDM    | Orthogonal frequency-division multiplexing        |
| OFDMA   | Orthogonal Frequency Division Multiple Access     |
| QAM     | Quadrature Amplitude Modulation                   |
| QoS     | Quality of Service                                |
| SAE     | System Architecture Evolution                     |
| SC-FDMA | Single Carrier Frequency Division Multiple Access |
| SFBC    | Space-frequency block coding                      |
| SISO    | Single Input Single Output                        |
| SM      | Spatial Multiplexing                              |
| SVD     | Singular Value Decomposition                      |
| TD      | Transmit Diversity                                |
| TDD     | Time-division duplex                              |
| TTI     | Transmission Time Interval                        |
| UE      | User Equipment                                    |
| UL      | Uplink  |
| UTRAN   | UMTS Terrestrial Radio Access Network             |

# Chapter 1. Introduction

3GPP LTE is the evolution of the Third-generation of mobile communications, UMTS, to the Fourth-generation technology, that is essentially a wireless broadband Internet system with voice and other services built on top. The specifications related to LTE are formally known as the evolved UMTS terrestrial radio access (E-UTRA) and evolved UMTS terrestrial radio access network (E-UTRAN), but are more commonly referred to by the project name LTE. The starting requirements of LTE are presented in [1] and [2], where its main targets for this evolution are highlighted. LTE is designed to increase data rates and cell edge bitrates, improve spectrum efficiency (unicast as well as broadcast) and allow spectrum flexibility (1.25, 2.5, 5, 10, 15 and 20 MHz) for flexible radio planning. LTE has also to reduce packet latency, the main restriction for real-time services, such as VoIP or videoconferencing, reduce radio access network cost as well as cost-effective migration from earlier 3GPP releases and simplify its network to a flat all-IP packet-based network architecture where all the user plane radio functionalities are terminated at the eNodeB.

3GPP started to work on the Evolution of the UMTS with the RAN Evolution Work Shop in November 2004 and, recently, on December 2008, 3GPP has approved the functional freeze of LTE as part of Release 8. Therefore, this landmark achievement will allow the operators to realize their early deployment plans in deploying this technology. LTE is aimed at providing the true global mobile broadband experience for users but also places high priority on improving spectral efficiency and reducing cost. An overview and a summary of all Release 8 features with its associated 3GPP LTE specification documents is presented in [3].

LTE should at least support an instantaneous downlink peak data rate of 100Mbps within a 20 MHz downlink spectrum allocation (5bps/Hz) and instantaneous uplink peak data rate of 50Mbps within a 20 MHz uplink spectrum allocation (2.5bps/Hz) considering 2 receive antennas and 1 transmit antenna at UE.

Therefore, the key point of LTE to achieve its peak data rate target is the specification of an extremely flexible Radio Interface based on OFDM technology with MIMO antenna processing, where all services are supported on packet based shared transport channels [4]-[5].

The innovations introduced by LTE open important research challenges related with the optimization of the physical and MAC layers of 3GPP LTE. The work of this master thesis is centered in the study of the performance and validity of the MIMO-OFDM tandem for the case of a cellular high mobility systems, such as LTE. But simultaneous simulations of all the processes involved in the operation of a wireless system is an infeasible and impractical task and the solution is to divide the simulation into link and system levels. This document takes the part of the study involved in the link level simulation, therefore, the aim of this master thesis is to present the development of a LTE Link Level Simulator based on LTE Physical Layer specifications [6]-[9]. This simulator emulates the MIMO algorithms, the OFDM signal, the spatial channel model, the channel modulation, the coding scheme, the rate matching and the H-ARQ process on the communication involved in the LTE downlink between the transmitter, the base station eNodeB, and the receiver, the user equipment UE. This master thesis is focused on the downlink, so the implementation of LTE uplink is not considered in this document.

The result of the LTE DL link level simulator serves to characterize the LTE wireless link and create link level look-up tables (LUT) that average the bit error rate (BER), the block error rate (BLER) and the throughput performance vs. SINR (Signal to Interference-Noise Ratio) averaged over all channel realizations of one specific channel model in different scenarios. But in many cases, these average LUTs are not enough to model properly the link layer because the specific channel realization encountered may perform significantly different from the average performance. Consequently, a next step of the DL link level simulator will be to add the calculation of the Effective SNIR mapping functions that take account of the instantaneous channel and interference conditions [12]. These Effective SNIR mapping tables are constructed on the link level and they represent tabulated BER functions of instantaneous system level SINR. Finally, a LTE system level simulator will have to be developed to use the results of the DL link level simulator.

## 1.1. Outline of this Master Thesis

This master thesis is divided into 7 chapters:

➤Firstly, Chapter 1 corresponds to the introduction describing the general LTE background and the motivation of this master thesis and Chapter 2 presents the background of the 3GPP LTE Air Interface Technology.

➤Chapter 3 describes the LTE link level simulator framework and gives the guidelines for this kind of simulators in order to be interfaced to system level simulators. Finally, the inputs and outputs of the LTE link level simulator are described and a block diagram of the LTE downlink physical channel processing is presented following the LTE Physical Layer description [7] and [8].

➤Chapter 4 analyses the basics and the multi-antenna techniques to model a MIMO-OFDM Wideband channel for the LTE DL MIMO-OFDM physical channel simulator, that is the first stage of the LTE DL link level simulator.

➤Chapter 5 describes the LTE channel coding and rate matching techniques implemented in the second stage of the LTE DL link level simulator.

➤Chapter 6 evaluates the performance results of the MIMO-OFDM link level simulators, and, furthermore, they are compared to SISO-OFDM link level simulation results.

➤Finally, Chapter 7 summarizes the concluding remarks and lists the functionalities of LTE DL link level simulator presented in this master thesis and proposes the future work to be done in order to continue the investigation performed in this master thesis.

## Chapter 2. Overview of the 3GPP LTE Air Interface

### 2.1. 3GPP LTE Air Interface basic concepts

The starting point of LTE study item was first focused on the definition of requirements to define the targets for data rate, capacity, spectrum efficiency and latency. Also commercial aspects like costs for installing and operating the network were considered. Based on these requirements, the key features of LTE are the usage of multiple access schemes, adaptive modulation and coding, multi antenna techniques (MIMO), hybrid automatic repeat request (HARQ) technology and distributed or localized radio resource allocation techniques. A general overview of LTE is given in [10] and [11] and next paragraphs of this chapter describes briefly the LTE key technology applied to DL link level simulator.

The multiple access schemes that uses LTE are OFDMA with Cyclic Prefix (CP) in DL and Single Carrier FDMA (SC-FDMA) with CP in UL. OFDM/OFDMA have been selected by 3GPP because of its robustness to multipath propagation in wideband channels, inherent support for frequency diversity and easiness integration with MIMO antenna schemes. Inside each subcarrier Adaptive Modulation and Coding (AMC) is applied with three modulation schemes (QPSK, 16QAM and 64QAM) and variable code rates. LTE performs link adaptation via AMC (explicit adaptation) and HARQ (implicit adaptation to errors) in a fast pace (each 2 slots, or 1 ms) providing data quickly and reliably using minimal resources. The addition of AMC and HARQ process allows to minimize the turnaround time and maximize the data throughput of the system.

The LTE specifications inherit all the frequency bands defined for UMTS and add more bands and describe both Frequency Division Duplexing (FDD) and Time Division Duplexing (TDD) to separate uplink and downlink traffic. Anyway, this document only considers the downlink FDD case for the DL link level simulator.

MIMO techniques play an important role in fulfilling the LTE requirements on increased data rates and improved coverage and capacity. Multiple antennas can be found in the transmitter and/or in the receiver. Therefore, different multi-antenna transmission techniques can be employed. The main techniques are Single stream transmit diversity, Beamforming, Spatial Division Multiplexing (SDM), and Spatial Division Multiple Access (SDMA). Some of the multi-antenna schemes are based on the utilization of precoding matrices which are defined by LTE specifications and whose selection is implementation dependant [7].

The work of this master thesis has consisted in developing a LTE DL link level simulator which takes into account the following LTE physical layer features: the mobile environment; the spatial channel models, SISO and MIMO radio channels; OFDM DL transmission; the LTE modulation schemes, QPSK, 16QAM and 64QAM; the LTE channel coding with variable code rates and HARQ process.

## **2.2. Key Technologies of the 3GPP LTE Air Interface**

### **2.2.1. OFDM**

OFDM is frequency-division multiplexing scheme utilized as a digital multi-carrier modulation method that it has been used successfully in wire-line access applications, such as Digital Subscriber Line (DSL) modems and cable modems. Recently, wireless systems such as 3GPP LTE have also adopted OFDM-based transmissions to overcome the challenges of Non Line Of Sight (NLOS) propagation because OFDM is a technology that has been shown to be well suited to the mobile radio environment for high rate and multimedia services [12].

OFDM achieves high data rate and efficiency by using multiple overlapping carrier signals instead of just one carrier. The key advantage of OFDM over single carrier modulation schemes is the ability to subdivide the bandwidth into multiple frequency sub-carriers which carry the information streams, are orthogonal to each other and deliver higher bandwidth efficiency. Therefore OFDM allows higher data throughput even in the face of challenging scenarios such as NLOS links suffering from significant degradation because of multipath conditions. Therefore, a guard time is added in each OFDM symbol to combat the channel delay spread. The term delay spread describes the amount of time delay at the receiver from a signal traveling from the transmitter along different paths. The delay induced by multipath can cause a symbol received along a delayed path to interfere with subsequent symbol arriving at the receiver via a more direct path. This effect is referred to as inter-symbol interference (ISI).

The guard time may be divided into a prefix (inserted at the beginning of the useful OFDM symbol and called cyclic prefix (CP)) and a postfix (inserted at the end of the previous OFDM symbol). The introduction of the CP can eliminate ISI in the time domain as long as the CP duration is longer than the channel delay spread. The CP is typically a repetition of the last samples of data portion of the OFDM block that is appended to the beginning of the data payload and makes the channel appear circular in order to permit low-complexity frequency domain equalization.

OFDM signal generation consists of multiplexing the original data stream into  $N_c$  parallel data streams; then each of the data streams is modulated with a different subcarrier frequency using linear modulation (either PSK or QAM). Then, the resulting signals are transmitted together in the same band. Correspondingly, the receiver consists of  $N_c$  parallel receiver paths because of the  $N_c$  equally spaced orthogonal subcarriers of OFDM symbol behaves as  $N_c$  independent narrowband flat fading channels. In short, OFDM converts the wideband frequency selective fading channel into  $N_c$  narrowband flat fading channels thus the equalization can be performed in the frequency domain by a scalar division carrier-wise with the subcarrier related channel coefficients. Therefore, this fact reduces dramatically the equalization complexity.

The subcarrier pulse used for OFDM transmission is chosen to be rectangular and this has the advantage

that the task of pulse forming and modulation can be performed by a simple Inverse Discrete Fourier Transform (IDFT) at the transmitter. In practice, the IDFT is implemented very efficiently as an Inverse Fast Fourier Transform (IFFT) and the IFFT keeps the spacing of the subcarriers orthogonal and not requires intra-cell interference cancellation. Accordingly at the receiver we only need a FFT to reverse this operation but the receiver and the transmitter must be perfectly synchronized. Therefore, according to the theorems of the Fourier Transform, the rectangular pulse shape will lead to a *sinc* type of spectrum of the subcarriers that are overlap but the information transmitted can still be separated because of the orthogonality relation between subcarriers.

Figure 2.1 shows the block diagram of a OFDM based transmission system with only one single antenna at the transmitter and one at the receiver and how to characterize a multipath radio channel for OFDM systems is described in [13]. Then, how to create the mobile channel models to be used for 3GPP deployment evaluation is explicitly described in [14] where simplifications in order to reduce the computational cost and the complexity of the simulations are presented.

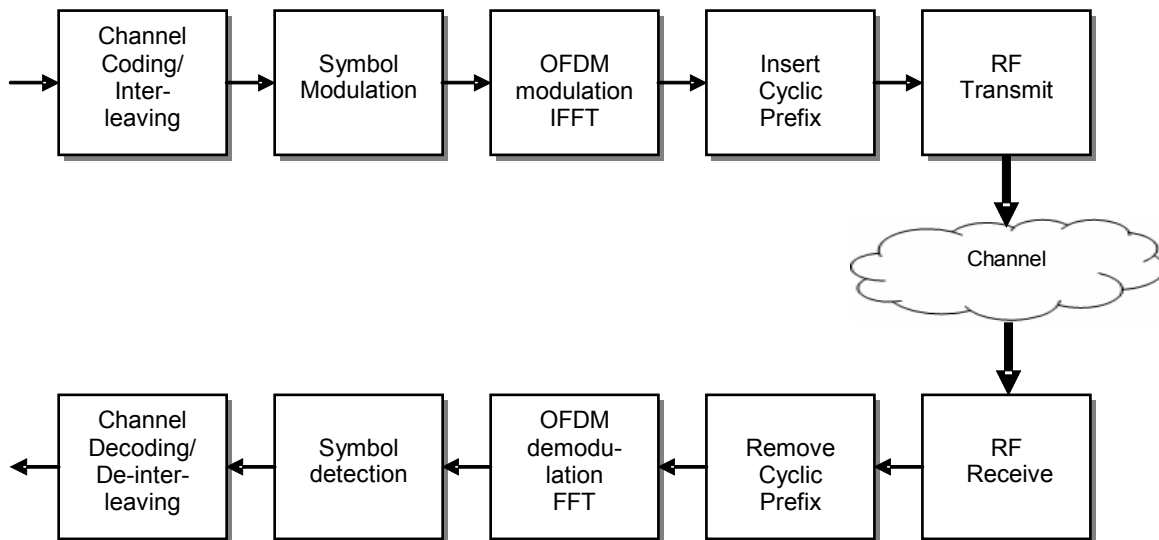


Figure 2.1: Block diagram of an SISO OFDM based transmission system.



### 2.2.2. MIMO

MIMO, or multiple-input and multiple-output, is a smart antenna technique based on the use of multiple antennas at both the transmitter and receiver to improve radio link communication performance. MIMO technology is considered in the new wireless communications standards such as 3GPP LTE or WIMAX since it offers significant increases in data throughput and link range without additional bandwidth or transmit power. It achieves this by higher spectral efficiency (more bits per second per hertz of bandwidth) and link reliability or diversity (reduced fading).

The MIMO technique in combination with OFDM (MIMO-OFDM) has been shown as a approach for high spectral efficiency wideband systems because OFDM technique simplifies the receiver structure by decoupling frequency selective MIMO channel into a set of parallel flat fading channels and different data is sent to different subcarriers. Then the fading process experienced by each subcarrier is close to frequency flat, and therefore, it can be modeled as a constant complex gain. This consideration allows to obtain the MIMO channel matrix of transmission coefficients per subcarrier and simplify the implementation of a MIMO scheme provided this is applied on a each subcarrier. MIMO-OFDM basics are described in[15-20] describes and Figure 2.2 shows the block diagram of a MIMO-OFDM based transmission system where  $N_{RX}$  and  $M_{TX}$  are the number of antennas at the transmitter and at the receiver, respectively.

MIMO can be split into transmit diversity and spatial multiplexing techniques and it depends on the channel condition which MIMO technique to select. Transmit diversity increases coverage and quality of service (QoS) because relies on transmitting multiple redundant copies of a data stream to the receiver; while spatial multiplexing increases the spectral efficiency because transmits independent and separately data streams from each of the multiple antennas. Apart from that, MIMO may be used to reduce co-channel interference and provide an array gain, what is called beamforming.

MIMO systems present two modes of operation, open-loop and closed-loop. While open loop MIMO

systems only knows the channel state information (CSI) at the receiver side, closed-loop MIMO systems also knows the CSI at the transmitter side and it can improve the throughput and reliability of a MIMO system. The estimation of CSI is based on pilot symbols and UEs can report the channel state information back to the BS to use for the next transmissions, provided the channel variation because of mobile speed and environmental changes is slow.

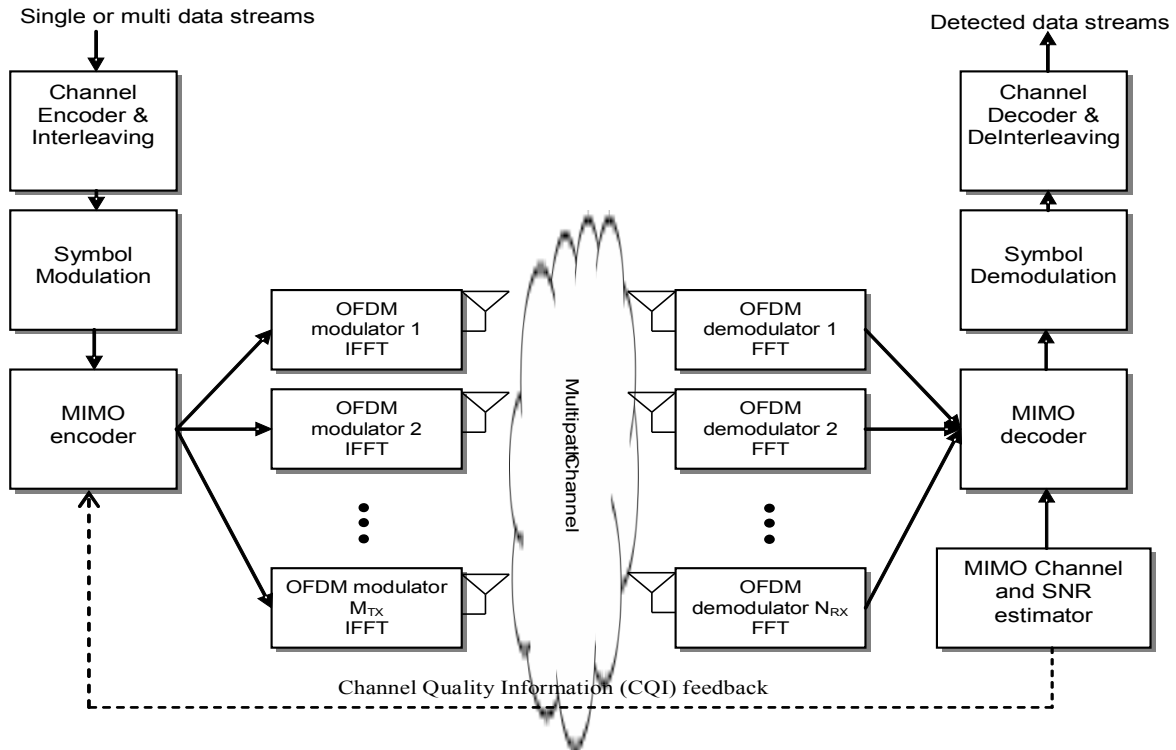


Figure 2.2: Block diagram of a  $N_{RX} \times M_{TX}$  MIMO-OFDM based transmission system.

Open-loop spatial multiplexing can employ different strategies of detection at the receiver side, basically divided in linear detectors, such as Zero Forcing (ZF) and minimum mean-square-error (MMSE), or non-linear, Maximum Likelihood (ML), Successive Interference Cancellation (SIC) or Parallel Interference Cancellation (PIC).

Examples of open-loop transmit diversity are space-time block coding (STBC) and space-frequency block coding (SFBC). Here the most known code is the Alamouti code for the case of 2 antennas at transmitter [51]. The STBC and SFBC techniques consist of sending the data stream from each of the transmit

antennas using certain principles of full or near orthogonal coding and diversity exploits the independent fading in the multiple antenna links to enhance signal.

A closed-loop MIMO system has knowledge of the channel at transmitter and it allows to perform a MIMO precoding at transmitter for channel compensation based on a precoding weight matrix selected from a set of matrices called “codebook”. In particular, the codebook matrix selection is based on the channel estimation of the receiver that feedbacks the best precoding matrix to maximize the capacity to the transmitter.

## 2.3. LTE Downlink Physical Layer overview

### 2.3.1. LTE radio interface protocol architecture

The LTE access network is simplified and reduced to only the base station (eNodeB) and the LTE radio interface covers the interface between the User Equipment (UE) and the network. The LTE radio interface architecture is composed of the layer 1, 2 and 3. Layer 1 is the physical layer and its specifications are described in the TS 36.200 series. Figure 2.3 shows the E-UTRA radio interface protocol architecture around the physical layer [6].

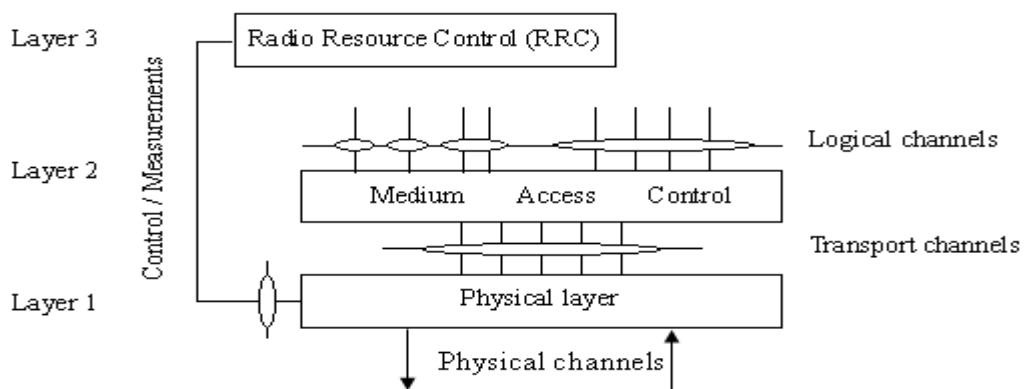


Figure 2.3: Radio interface protocol architecture around the physical layer.

The LTE air interface consists of physical channels and physical signals which are defined in [7] and are generated by the LTE physical layer. Physical channels carry data from higher layers including control, scheduling and user payload and physical signals are used for system synchronization, cell identification and radio channel estimation.

The types of downlink physical channels are Physical Downlink Shared Channel (PDSCH), Physical Broadcast Channel (PBCH), Physical Multicast Channel (PMCH), Physical Control Format Indicator Channel (PCFICH), Physical Downlink Control Channel (PDCCH) and Physical Hybrid ARQ Indicator Channel (PHICH). The types of uplink physical channels are PRACH (Physical random access channel), PUCCH (Physical uplink control channel) and PUSCH (Physical uplink shared channel). Concerning to physical signals, there are two types of signals, Reference signal and Synchronization signal.

The physical layer interfaces the Medium Access Control (MAC) of Layer 2 and the Radio Resource Control (RRC) of Layer 3. The physical layer offers a transport channel to MAC and a transport channel is characterized by how the information is transferred over the radio interface. MAC offers different logical channels to the Radio Link Control (RLC) of Layer 2 and a logical channel is characterized by the type of information transferred. Then, the physical layer performs the following functions in order to enable data transport service:

- LTE physical layer functions applied to transport channels: Error detection on the transport channel and indication to higher layers; FEC encoding/decoding of the transport channel; rate matching of the coded transport channel to physical channels and mapping of the coded transport channel onto physical channels.
- LTE physical layer Functions applied to physical channels: Power weighting of physical channels and Modulation and demodulation of physical channels;
- Other LTE physical layer Functions: Hybrid ARQ soft-combining; power weighting of physical channels; frequency and time synchronization; radio characteristics measurements and indication to higher layers; multiple Input multiple Output (MIMO) antenna processing; transmit diversity (TX diversity); beamforming and RF processing.

### 2.3.1. DL Physical Layer features

The LTE DL physical layer is defined in LTE specifications [6-9] and [21-23]. The LTE physical layer is based on Single Carrier Frequency-Division Multiple Access (SC-FDMA) for the UL and Orthogonal Frequency-Division Multiple Access (OFDMA) for the DL. LTE supports both Frequency Division Duplex (FDD) and Time Division Duplex (TDD) modes and each one has its own frame structure.

OFDMA is a multi-user version of OFDM scheme and is employed as the multiplexing scheme of LTE DL. Multiple access is achieved by assigning subsets of subcarriers, called sub-channels, to individual users and this allows simultaneous low data rate transmission from several users (each user is assigned a specific time-frequency resource). The OFDMA symbol structure consists of three types of sub-carriers, data sub-carriers for data transmission, pilot sub-carriers for estimation and synchronization purposes and Null sub-carriers for no transmission; used for guard bands and DC carriers. OFDMA may support frequency reuse of one, i.e., all cells/sectors operate on the same frequency channel to maximize spectral efficiency. But in this case, some form of frequency planning at the cell edges is required using a plan for frequency re-use to avoid inter-cell interference. While in the center of the cell, the entire channel bandwidths can be used.

The E-UTRA OFDMA data channels are shared channels, i.e., for each transmission time interval (TTI) of 1 ms, a new scheduling decision is taken regarding which users are assigned to which time/frequency resources during this TTI. The TTI duration of 1 ms contributes to minimize the low user-plane latency in order to achieve high bit rate for data services.

The LTE physical layer supports different bandwidths from 1.4 MHz to 20 MHz with subcarrier spacing of 15 kHz. A subcarrier spacing of 7.5 kHz is also possible that is used in the new LTE eMBMS (evolved multimedia broadcast and multicast service). In both cases, the subcarrier spacing is constant regardless of the channel bandwidth. The smallest amount of resource that can be allocated in the uplink or downlink is called a resource block (RB). An RB is 180 kHz wide and lasts for one 0.5 ms timeslot. For standard LTE,

an RB comprises 12 subcarriers at a 15 kHz spacing, and for eMBMS with the optional 7.5 kHz subcarrier spacing an RB comprises 24 subcarriers for 0.5 ms. The maximum number of RBs supported by each transmission bandwidth is given in Table 2.1 [21]-[22].

| Channel bandwidth BW <sub>Channel</sub> [MHz] | 1.4             | 3   | 5   | 10   | 15   | 20   |
|---|-----------------|-----|-----|------|------|------|
| Number of Resource Blocks (N <sub>RB</sub> )  | 6               | 15  | 25  | 50   | 75   | 100  |
| Number of occupied subcarriers                | 72              | 180 | 300 | 600  | 900  | 1200 |
| IFFF/FFT Size                                 | 128             | 256 | 512 | 1024 | 1536 | 2048 |
| Subcarrier Spacing                            | 15kHz / 7.5 kHz |     |     |      |      |      |

Table 2.1. LTE Bandwidth and Resource Configuration

The modulation schemes supported in the LTE DL and UL over each subcarrier are QPSK, 16QAM and 64QAM. LTE applies Adaptive Modulation and Coding (AMC) and variable coding rates inside each subcarrier combined to the retransmission protocol H-ARQ (Hybrid Automatic Repeat Request).

Adaptive modulation is a technique that allows to maintain the Bit Error Rate (BER) below a predefined target value by modifying the signal transmitted to a particular user according to the instantaneous radio link quality. Coding scheme may be also modified along the time to match the instantaneous channel conditions for each user. Therefore, when both modulation and coding scheme are jointly changed by the transmitter to adapt the transmitted signal to the varying channel conditions, this is called AMC (Adaptive Modulation and Coding) technique.

The channel coding scheme for transport blocks in LTE is Turbo Coding with a coding rate of  $R=1/3$ , two 8-state constituent encoders and a contention-free quadratic permutation polynomial (QPP) turbo code internal interleaver. Trellis termination is used for the turbo coding. Before the turbo coding, transport blocks are segmented into byte aligned segments with a maximum information block size of 6144 bits. Error detection is supported by the use of 24 bit CRC.

HARQ is implemented as MAC level (L1) module called HARQ entity. HARQ entity is associated with N HARQ processes to implement N stop and wait HARQ protocol. HARQ is a stop and wait protocol that facilitates fast error detection and correction as subsequent transmission can take place only after

receiving ACK/NACK from the receiving entity. In case an ACK is received a new transmission is done, else a retransmission is done. Therefore, The HARQ protocol gives the receiver redundancy information that enables to reduce the BLER and HARQ and AMC are jointly critical techniques to enable to minimize the turnaround time and maximize the data throughput of the system.

The LTE/E-UTRA physical layer is designed to exploit MIMO wireless transceivers, at both the base station (BS) and the user equipment (UE), in order to enhance link robustness and increase data rates compared to SISO channels. In LTE, the use of MIMO is compulsory and the baseline configuration is 2x2, two transmit antennas at the eNodeB and two receive antennas at the UE. Higher-order MIMO configurations are also taken into account; particularly, the 4x2 and 4x4 MIMO (four antennas at transmitter and two or four at receiver, respectively) in E-UTRA Release 8 [7]. In the future LTE Advanced specifications, MIMO antenna configurations could be 8x8 or less for downlink and 4x4 or less for uplink [24].

MIMO is integrated as part of E-UTRA physical layer because the requirements on coverage, capacity and data rates make necessary to incorporate new transmission schemes, such as beamforming, spatial multiplexing or transmit diversity. Transmit diversity is primarily intended for common downlink channels as it can be difficult to apply other sources of diversity such as retransmission or link adaptation. Transmit diversity is based on space-frequency block coding (SFBC) techniques complemented with frequency-shift time diversity (FSTD) when four transmit antennas are used. Then, spatial multiplexing enables to send independent streams of data simultaneously on the same DL resource block(s). Data stream can belong to one single user (single user SU-MIMO) or to different users (multi user MU-MIMO). SU-MIMO increases the data rate of one user, and, on the other hand, MU-MIMO increases the overall capacity.

The estimated downlink peak rates deemed feasible with E-UTRA are summarized in Table 2.2 [5] and the usage of MIMO techniques may achieve and even exceed the peak rate requirements outlined in [1].

|                    | Downlink   |               |
|--------------------|--|---------------|
| <b>Assumptions</b> | 64 QAM, Rate=1; Signal overhead for reference signals and control channel occupying one OFDM symbol. |               |
| <b>Unit</b>        | <b>Mbps in 20 MHz</b>  | <b>b/s/Hz</b> |
| <b>Requirement</b> | 100  | 5.0           |
| <b>2x2 MIMO</b>    | 172.8  | 8.6           |
| <b>4x4 MIMO</b>    | 326.4  | 16.3          |

Table 2.2. Downlink Peak Rates for E-UTRA.

### 2.3.2. DL Frame Structure and physical resource elements

The E-UTRA frame structures are defined in [21-24]. DL and UL transmissions are organized into radio frames with 10ms duration. Two radio frame structures are supported: Type 1, applicable to FDD and Type 2, applicable to TDD. Frame structure type 1 (FDD) is applicable to both full duplex and half duplex FDD. The generic radio frame for FDD and TDD has a duration of 10ms and consists of 20 slots with a slot duration of 0.5ms. Two consecutive slots form one sub-frame of length 1ms that it is the shortest Transmit Time Interval (TTI). Each sub-frame or slot consists of 6 or 7 OFDM symbols depending on the length of the CP (normal or extended) and the subcarrier spacing. The extended CP is available for use in larger cells and for specialist multi-cell broadcast applications.

A physical resource block (PRB) spans either 12 sub-carriers with a subcarrier bandwidth of 15kHz or 24 sub-carriers with a sub-carrier bandwidth of 7.5kHz each over a slot duration of 0.5ms. Table 2.3 shows the possible configurations of physical resource block parameters and Figure 2.4 shows the DL resource grid obtained from [7]. In case of MIMO configuration, there is one resource grid defined per antenna port and each antenna port is defined by its associated reference signal.

One or more PRB can be assigned to a user for a predetermined amount of time. When multiples PRBs are assigned to one user, these PRBs are mapped to a Virtual Resource Blocks (VRB) in a localized or distributed manner. The frequency and time allocations to map information for a certain user to PRBs is determined by the eNodeB scheduler depending on the actual radio channel and transmission traffic. The distributed permutation draws subcarriers pseudorandomly to form a subchannel and it provides frequency



diversity and inter-cell interference averaging minimizing the probability of using the same carrier in adjacent sectors or cells. The localized permutation groups a block of contiguous sub-carriers to form a subchannel leaving the door open for the choice of the best conditioned part of the bandwidth.

| Configuration   | Number of symbols per slot | Number of subcarriers ( $N_{RB}$ ) per Resource Block | Cyclic Prefix length in $\mu s$                               |
|---|----------------------------|---|---|
| Normal cyclic prefix<br>Subcarrier spacing =15 kHz    | 7                          | 12  | 5.2 $\mu s$ for first symbol<br>4.7 $\mu s$ for other symbols |
| Extended cyclic prefix<br>Subcarrier spacing =15 kHz  | 6                          | 12  | 16.7 $\mu s$  |
| Extended cyclic prefix<br>Subcarrier spacing =7.5 kHz | 3                          | 24  | 33.3 $\mu s$  |

Table 2.3. Physical resource block parameters.

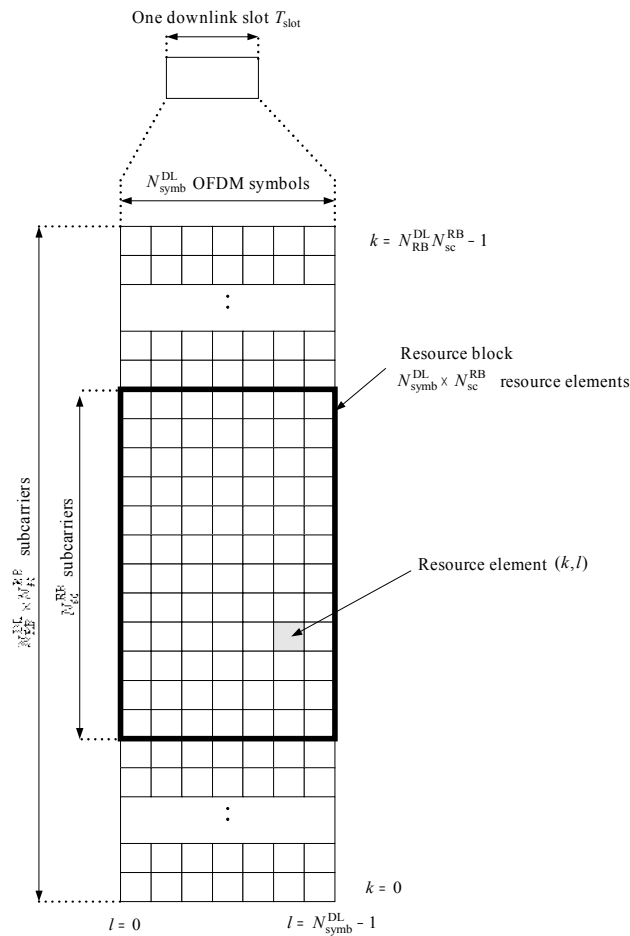


Figure 2.4: LTE Downlink Resource Grid

## Chapter 3. DL Link Level Simulator Overview

### 3.1. DL Link Level Simulator description

Simultaneous simulation of all the processes involved in the operation of a wireless system is not a feasible task. The solution is to divide the simulation into link and system levels. Link level simulation emulates all the aspects of the communication involved in the link between one transmitter and one receiver. At system level, many transmitters and receivers are found, however individual communication links are not simulated but information from the link level simulation is employed instead. Figure 3.1 shows an scheme of how are interfaced the system and link level simulator and their functionalities.

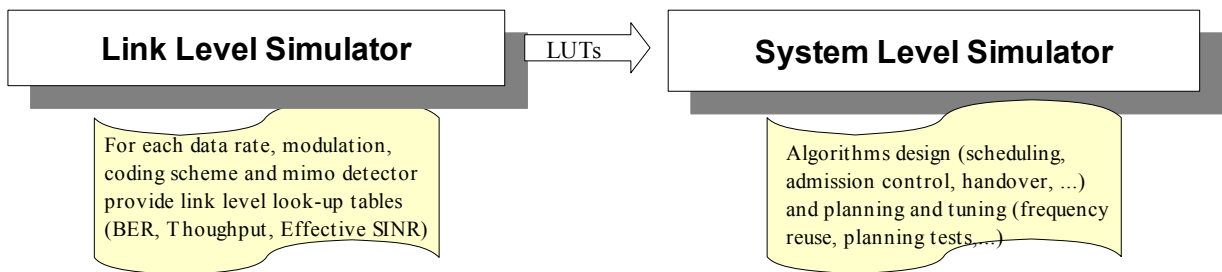


Figure 3.1: Interface between link level and system level simulations.

The DL Link level simulator presented in this document is based on the E-UTRA physical layer specifications [7] and [8] and it has been developed by means of ad-hoc C/C++ programs. This simulator takes into account only the DL and it has been validated against theoretical expressions for the BER when possible. The DL link level simulator is essentially an off-line program that can model with accuracy the behavior of the DL radio interface, in terms of bit and block error and throughput statistics, taking into

consideration all the involved environmental parameters. The DL link level simulator carries out the calculation of look-up tables (LUTs) of average coded and uncoded BER and throughput vs. SINR for different environments. As it has been mentioned before in Introduction section of this document, it is still pending the calculation of the effective SINR (ESINR) LUTs from the DL link level simulations. These tables are necessary to map the link level behavior to a system level simulator that it has to be used to evaluate LTE performance in terms of radio resource management (RRM) or dimensioning and planning LTE radio access networks.

The LTE link level simulator is flexible designed and a complete set of parameters can be configured to define the LTE link level performance: The values of SINR or, equivalently,  $E_b/N_0$  (where  $N_0$  includes all the sources of noise); the mobile radio channel model (outdoor/indoor, pedestrian/vehicular); the MIMO channel correlated or uncorrelated; the MIMO transmit/receive procedures; the modulation and bandwidth; the channel coding rate and the resource allocation.

The LTE link level simulator is subdivided in two steps; the MIMO-OFDM physical channel link level simulator and the channel coding link level simulator. The first step consists of creating the link level simulator without channel coding. The results of the first step is a brute BER per SINR or  $E_b/N_0$  and log-likelihood ratio (LLR) per each M-QAM signal for different MIMO techniques and mobile radio channel models. The second step consists of creating a link level simulator that introduces multiplexing, channel coding, interleaving and rate matching which uses the LLR performance of the first step simulator that takes into account different modulations, bandwidths, scenarios and MIMO techniques.

The MIMO-OFDM physical channel link level simulator emulates the MIMO-OFDM transmission/reception through a mobile radio channel and assumes ideal channel estimation, so pilot symbols are not added, and only DL transport channels are considered. The MIMO channel model and reference scenarios employed as reference for the DL link level simulator are described in [25]-[28] and [21],[22] and [29], respectively. The inputs of this simulator are SINR, channel model, MIMO correlation, MIMO scheme, symbol modulation and bandwidth; and the output is the brute BER and the LLR per each detected symbol for a given MIMO-OFDM environment. Then, for a given channel coding rate and

resource allocation, the channel coding, rate matching and HARQ link level simulator emulates the turbo encoding/decoding and the rate matching of turbo coded transport channels using the LLR files that are the soft information for the turbo code in the link level simulator. Finally, as a result of these LTE link level simulations, an average BER and throughput vs. average SINR are calculated, and in a near future, an effective SINR link level look-up tables, as well. Then, these results will be passed to a system level simulator in order to evaluate its performance at system level to propose LTE algorithms design and planning and tuning techniques.

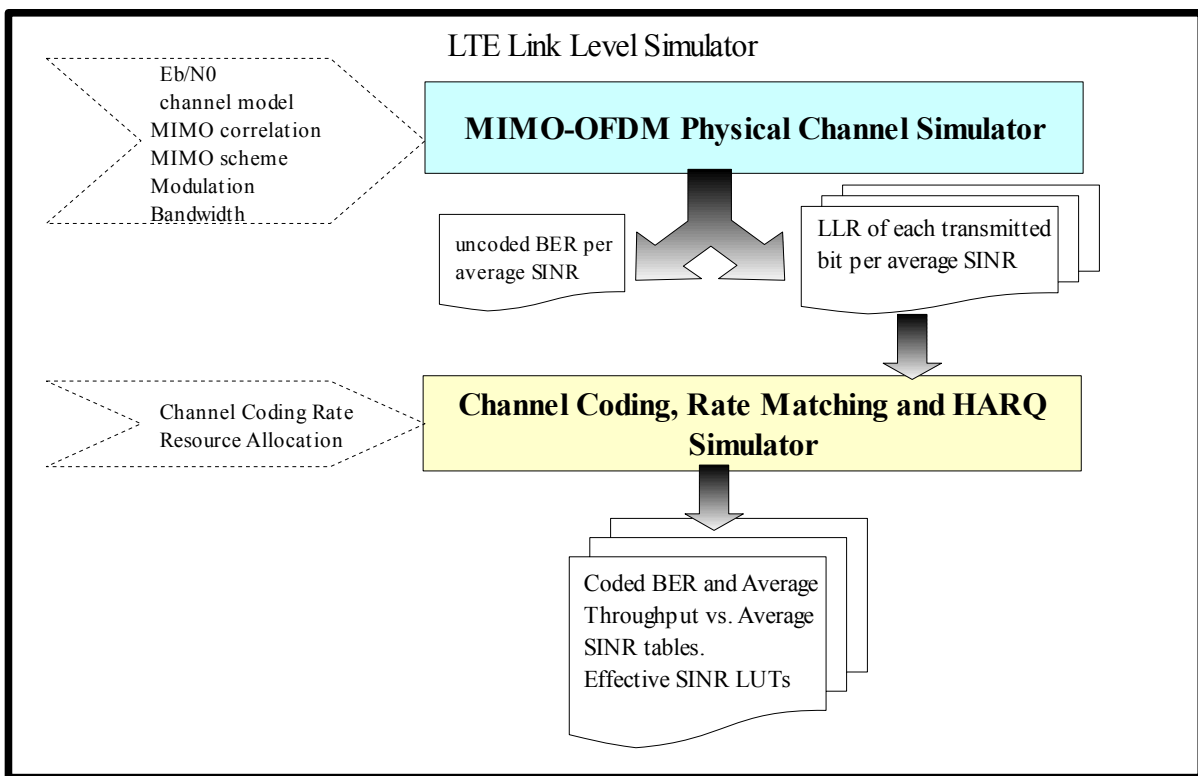


Figure 3.2: Flow diagram of LTE Link Level simulator.

### 3.1. E-UTRA physical channel modulation

The channel modulation for the LTE downlink and uplink is defined in TS.36.211 [7] and the allowed schemes are BPSK, QPSK, 16-QAM and 64-QAM. The DL link level simulator presented in this document simulates the DL the transport data channels, so it has been taken into account the three possible modulations schemes, that are QPSK, 16-QAM and 64-QAM. Furthermore, this modulator is based on the

Gray-Coded M-QAM constellation. The implementation of M-QAM modulator/demodulator in the DL link level simulator has taken as reference [7], [49] and Annex A of [50].

The noise added at the receiver side of the MIMO-OFDM system has to be calibrated in order to simulate a given Eb/No per each carrier of the OFDM symbol. Therefore, the noise power is  $\sigma_n^2$  (1) and, for a predetermined SINR (2), or equivalently Eb/No, its value depends on the M-QAM modulation, where L is the number of bits per symbol ( $M=2^L$ ),  $P_{PDP}$  is the energy of power delay profile and the average power of all the symbols of M-QAM constellation is one (3).

$$\sigma_n = \sqrt{\frac{P_{PDP} N_c}{2L(Eb/N0)}} \quad (1)$$

$$SINR = E\{|s_i^{(k)}|^2\} / \sigma_n^2 \quad (2)$$

$$MQAM \text{ symbol} = s_i^{(k)} = a_i^{(k)} + j * b_i^{(k)} \quad \forall k, \quad i = 1, \dots, MTX \quad \text{where } E\{|s_i^{(k)}|^2\} = 1 \quad (3)$$

## 3.2. LTE downlink physical channel processing

Figure 3.3 shows the LTE DL signal processing for Tx diversity and spatial multiplexing involved in DL link level. In LTE, data and control streams are encoded/decoded from/to MAC layer to offer transport and control services over the radio transmission link. Channel coding is a method to reduce the BLER at the expense of a reduction of the users information rate (throughput) and increase reliability. Channel coding is a combination of error detection, error correcting, rate matching, interleaving and transport channel or control information mapping onto/splitting from physical channels. The output of channel coding processes (coded bits) are stored in a circular buffer where redundancy versions are formed. A redundancy version (RV) is the retransmission unit in the hybrid automatic repeat request HARQ and a maximum of 4 RVs is allowed in LTE, where the first one contains the systematic bits and a part of the redundant bits. The channel codings schemes applied to transport channels (TrCHs) are two, tail biting convolutional coding is used for broadcast channel and Turbo Coding is used for the rest of TrCHs.

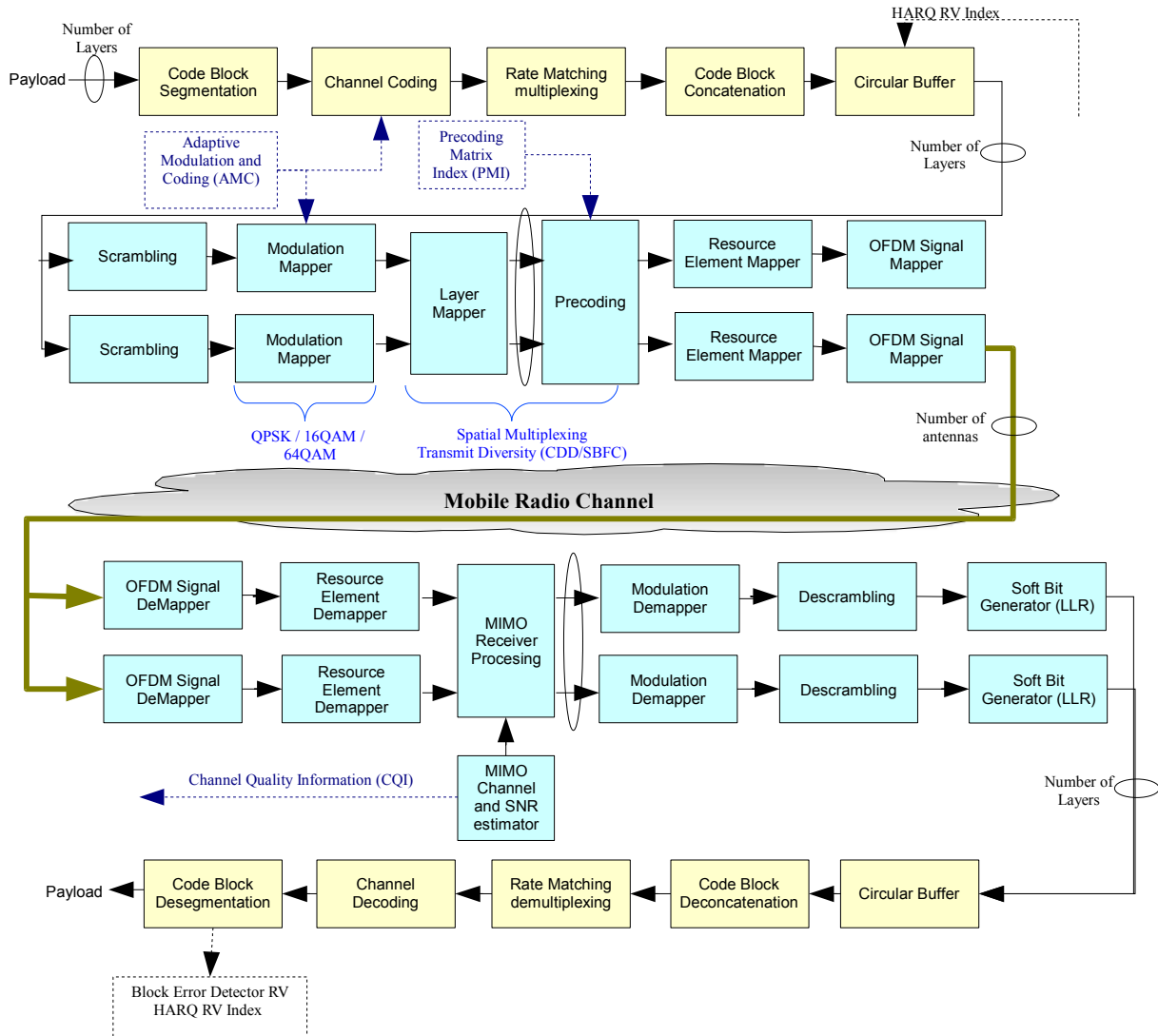


Figure 3.3: LTE downlink signal processing for transmit diversity and spatial multiplexing.

The baseband signal transmission of LTE downlink physical channels is performed by the following steps: Firstly, scrambling of coded bits in each of the code words to be transmitted on a physical channel; next modulation of scrambled bits to generate complex-valued modulation symbols; then mapping of the complex-valued modulation symbols onto one or several transmission layers; after the layer mapper, precoding of the complex-valued modulation symbols on each layer for transmission on the antenna ports; then mapping of complex-valued modulation symbols for each antenna port to resource elements; and

finally, generation of complex-valued time-domain OFDM signal for each antenna port. Then the receiver performs the inverse processes of transmitter in order to detect the transmitted symbols in order to decode them to recover the original transmitted bit streams. Moreover, the receiver has also to estimate the MIMO channel and the instantaneous SINR; feedback the channel quality indicator (CQI) to the transmitter and generate the soft bit information, what is called LLR, that is the input for the turbo decoder. Therefore, the LLR is calculated per each transmitted and reflects its reliability. Then, the receiver performs the HARQ process and in case of a block error occurs, request up to 4 retransmission of redundancy version.

Finally, the DL link level simulator presented in this document considers only turbo coded DL transport channels, assumes ideal estimation and do not feedback CQI to the transmitter.

## Chapter 4. E-UTRA DL Link Level Simulator: MIMO-OFDM physical channel

### 4.1. MIMO Wideband Mobile Channel Model

The wideband MIMO channel model adopted in the DL MIMO-OFDM physical channel simulator is based on a correlation-based stochastic radio channel model implemented in I-METRA project [39] and analyzed in [40-42] and filed in 3GPP as the core of the 3GPP link level MIMO model proposal [29].

The model of radio interface of the MIMO system contains  $M_{TX}$  transmitter antennas and  $N_{RX}$  receiver antennas which describes the connection between the LTE base station (eNodeB) and the mobile station (UE). The time-varying channel impulse response between the  $j^{th}$  ( $j=1,2,\dots,M_{TX}$ ) transmit antenna and the  $i^{th}$  ( $i=1,2,\dots,N_{RX}$ ) receive antenna is denoted as  $h_{i,j}(\tau,t)$ . This is the response at time  $t$  to an impulse applied at time  $t - \tau$ . The composite MIMO channel response is given by the  $N_{RX} \cdot M_{TX}$  matrix  $H(\tau,t)$  shown in equation (4) where  $\tau$  is the time spread and  $t$  is the channel time variance; while Figure 4.1 shows the scheme of the antenna arrays is illustrated, as well. The vector  $[h_{1,j}(\tau,t), h_{2,j}(\tau,t), \dots, h_{N_{RX},j}(\tau,t)]^T$  obtained from  $H(\tau,t)$  is referred to as the spatio-temporal signature induced by the  $j^{th}$  antenna across the receive antenna array.

Given that the signal  $s_j(t)$  is transmitted from the  $j^{th}$  transmit antenna, the signal received at the  $i^{th}$  receiver antenna is modeled by equation (2) that represents the stochastic discrete time MIMO channel model where  $n_i(t)$  is additive noise at the receiver and  $h_{i,j}(\tau,t)$  indicates the channel impulse response coupling the  $j^{th}$  transmitter to the  $i^{th}$  receiver element.  $\alpha_{i,j}(q,n)$  is the complex coefficient from  $j^{th}$  transmitter to the  $i^{th}$  receiver antenna at the delay  $\tau_q$  and the discrete time  $n$ . These channel coefficients,  $\alpha_{i,j}(q,n)$ , are zero-mean



complex i.i.d. random complex Gaussian quantities with variance  $\sigma_a^2(q)$ . The channel coefficients also have their amplitudes shaped in the frequency domain by the the Doppler spectrum obtained by classical

$$H(\tau, t) = \begin{bmatrix} h_{11}(\tau, t) & h_{12}(\tau, t) & \cdots & h_{1M}(\tau, t) \\ h_{21}(\tau, t) & h_{22}(\tau, t) & \cdots & h_{2M}(\tau, t) \\ \vdots & \vdots & \cdots & \vdots \\ h_{N1}(\tau, t) & h_{N2}(\tau, t) & \cdots & h_{NM}(\tau, t) \end{bmatrix}_{N_{RX} \cdot M_{TX}} \quad (4)$$

Jakes low-pass filter. The Doppler spectra depend on the speed of the user and the carrier frequency. Finally, given the proposed stochastic model, the MIMO channel is easily simulated on a computer by generating  $Q \cdot M_{TX} \cdot N_{RX}$  uncorrelated complex Gaussian processes and the combination of all of these processes generates the MIMO channel with independent Rayleigh fading.

$$r_i(t) = \sum_{j=1}^{M_{TX}} h_{ij}(\tau, t) * s_j(t) + n_i(t), i=1, 2, \dots, N_{RX} \quad \text{where} \quad h_{ij}(\tau, t) = \sum_{q=1}^Q \alpha_{ij}(q, t) \delta(t - \tau_q) \quad (5)$$

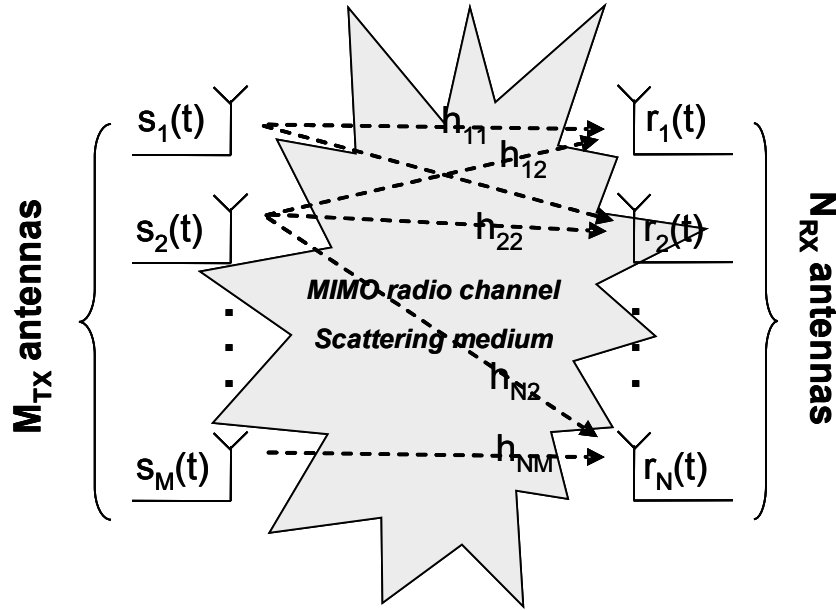


Figure 4.1: Two antenna arrays in a scattering environment.

## 4.2. Narrowband channel model per subcarrier in MIMO-OFDM system.

OFDM divides the frequency band into  $N_c$  narrow subchannels, where  $N_c$  is the number of subcarriers; therefore, OFDM enables to send different sequences of symbols across each subchannel. When the subchannel bandwidth is sufficiently narrow, the frequency response across each subchannel is approximately flat, avoiding the need for complicated time-domain equalization and converting a frequency-selective channel to  $N_c$  narrowband channels. Consequently, OFDM is combined with MIMO in order to transform the frequency-selective nature of the MIMO wideband mobile channel model into  $N_c$  parallel flat-fading subchannels and use efficient narrowband MIMO techniques.

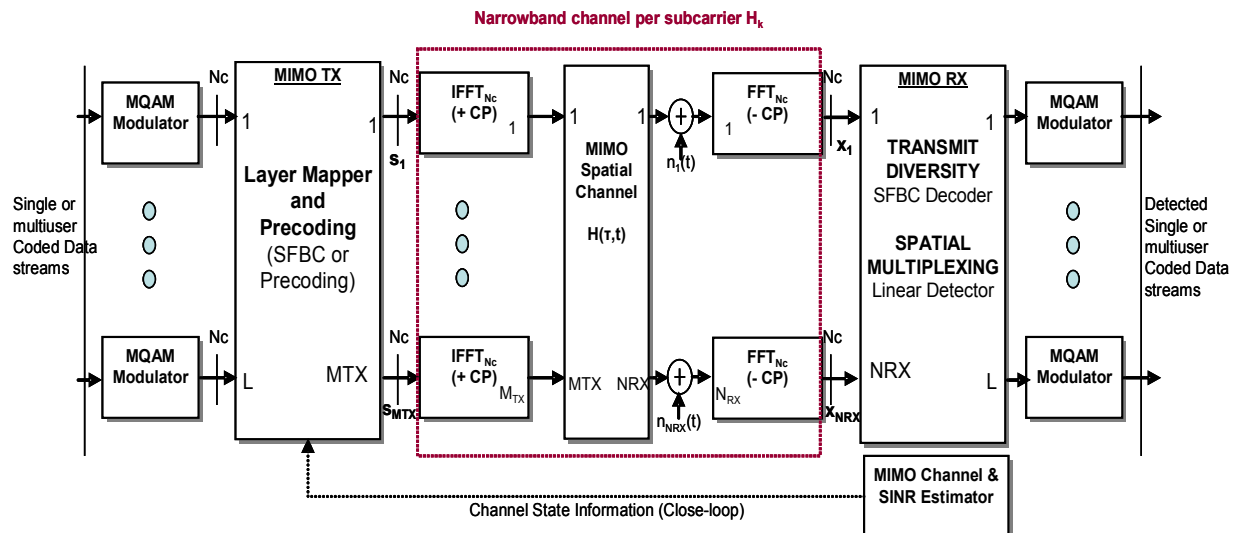


Figure 4.2: Scheme of a MIMO-OFDM broadband system.

Figure 4.2 shows the scheme of MIMO-OFDM broadband system where a red box marks the wideband channel and the IFFT/FFT of the OFDM transmission/reception that is equivalent to  $N_c$  narrowband subchannels. At the transmitter, each input data stream is modulated to form a chain of modulated symbols over subcarriers. Then, these symbols are processed by the layer mapper and precoding processing. The OFDM modulator applies a  $N_c$ -point IFFT to  $N_c$  consecutive data symbols and then appends the cyclic prefix (CP), which is a copy of the  $P$  last samples of the OFDM symbol, at the beginning. Therefore, the overall OFDM symbol length is  $N_c+P$ .

At the receiver, a AWGN noise is added to the received signal at each receive antenna and these individual signals are passed through an OFDM demodulator which first discards the CP and then applies an FFT. Equation (6) shows the transmitted vector  $s^{(k)}$  with  $s^{(k)}_i$ , denoting the data symbol transmitted from the  $i^{\text{th}}$  antenna on the  $k^{\text{th}}$  subcarrier. The received data vector for the  $k^{\text{th}}$  subcarrier is given by (7) where  $H^k = H^k(e^{j2\pi/N_c k}) = H^k(f)_{f=k/T}$  is the frequency response of channel  $H(\tau, t)$  at  $k^{\text{th}}$  subcarrier at time  $t$  and  $T$  is the sample period (equation 8).

$$s^{(k)} = (s^{(k)}_1, s^{(k)}_2, \dots, s^{(k)}_{MTX})^T \quad (6)$$

$$x^{(k)} = H^{(k)} s^{(k)} + n^{(k)}, \quad k = 0, 1, 2, \dots, (N_c - 1) \quad (7)$$

$$H^{(k)} = H^{(k)}(f)_{f=k/T} = \begin{pmatrix} h_{1,1}^{(k)} & \dots & h_{1,MTX}^{(k)} \\ \vdots & h_{i,j}^{(k)} & \vdots \\ h_{NRX,1}^{(k)} & \dots & h_{NRX,MTX}^{(k)} \end{pmatrix} \quad \text{where } h_{i,j}^{(k)} = \sum_{q=1}^Q \alpha_{ij}(q) e^{-j2\pi k \frac{\tau_q}{T}} \quad (8)$$

The energy of the power delay profile of each spatial multipath channel is given by (9) and is equal to  $P_{PDP}$ . In case of a transmitted symbol of power 1,  $P_{PDP}$  would be the average received symbol power. The noise at reception is given by (10) where  $n^k$  is complex-valued additive white gaussian noise with  $I_{NRX}$  denoting the identity matrix of size  $N_{RX}$  and  $\sigma_n^2$  is the average noise power.

$$E \{ h_{i,j}^{(k)} (h_{i,j}^{(k)})^H \} = \sum_{q=1}^Q E \{ |\alpha_{i,j}(q)|^2 \} = \sum_{q=1}^Q \sigma_{\alpha_{i,j}}^2(q) = \underbrace{P_{PDP}}_{\text{(Energy of the Power Delay Profile)}} \quad (9)$$

$$n^{(k)} = (n_1^{(k)}, n_2^{(k)}, \dots, n_{NRX}^{(k)})^T \quad \text{where } E \{ n_p^{(k)} (n_q^{(k)})^H \} = \sigma_n^2 I_{NRX} \delta[p - q] \quad (10)$$

### 4.3. Correlation-based MIMO radio channel stochastic model

The spatial correlation model adopted in the DL link level simulator assumes the correlation between different MIMO channel elements is modeled with the assumption that the correlation among receive antennas is independent from the correlation between transmit antennas, and viceversa. Based on this assumption, the spatial correlation matrix of the MIMO radio channel is the Kronecker product of the spatial correlation matrix at the receiver ( $R_{RX}$ ) and transmitter ( $R_{TX}$ ). This stochastic MIMO radio channel

model was used in I-METRA project [39] and analytically demonstrated [40-41] and validated with experimental results in [42]. The advantages and the deficiencies of the usage of a Kronecker product to model the MIMO spatial correlation are described in [43-46]. The main advantage of this model is its simplicity and analytical tractability, but its main drawback is that it forces both link ends to be separable, irrespective of whether the channel supports this or not and neglects the joint spatial structure. However, the 3GPP LTE specification determines that the correlations of the MIMO subchannels is based on kronecker product modeling because it can be assumed that the correlations matrix can be derived as a kronecker product between a correlation matrix seen from the base station, eNodeB, and a correlation matrix seen from the mobile station, UE [29]. Therefore, if the correlation matrix of the eNodeB  $R_{eNodeB}$  and the correlation matrix of the user equipment (UE) corresponds to  $R_{TX}$  and  $R_{RX}$ , respectively, then the correlation matrix of the 3GPP spatial channel model is expressed in equation (11).

$$R_{spat} = R_{eNB} \otimes R_{UE} \quad (11)$$

TS 36.101 [21] defines the MIMO correlation matrices for the cases of 1, 2 and 4 antennas at the eNodeB and at the UE. For instance, for the case of a 2 x 2 MIMO channel, the MIMO correlation matrix is expressed in equation (12):

$$R_{spat} = R_{eNB} \otimes R_{UE} = \begin{bmatrix} 1 & \alpha \\ \alpha^* & 1 \end{bmatrix} \otimes \begin{bmatrix} 1 & \beta \\ \beta^* & 1 \end{bmatrix} = \begin{bmatrix} 1 & \beta & \alpha & \alpha\beta \\ \beta^* & 1 & \alpha\beta^* & \alpha \\ \alpha^* & \alpha^*\beta & 1 & \beta \\ \alpha^*\beta^* & \alpha^* & \beta^* & 1 \end{bmatrix} \quad (12)$$

The values of  $\alpha$  and  $\beta$  that defines different correlation types are given in Table 4.1 for the cases of High, Medium and Low level correlation.

| Low correlation |         | Medium Correlation |         | High Correlation |         |
|-----------------|---------|--------------------|---------|------------------|---------|
| $\alpha$        | $\beta$ | $\alpha$           | $\beta$ | $\alpha$         | $\beta$ |
| 0               | 0       | 0.3                | 0.9     | 0.9              | 0.9     |

Table 4.1. 3GPP LTE definition of the MIMO correlation matrix coefficients.

Figure 4.3 shows the flow chart illustrating the practical procedure to obtain correlated channel coefficients for a MIMO configuration of  $M_{TX}$  antennas at the eNodeB and  $N_{RX}$  antennas at the UE. The generated correlated channel coefficients of MIMO channel matrix  $H$  are obtained from the Kronecker

product of correlation matrices,  $R_{\text{eNodeB}}$  and  $R_{\text{UE}}$ , and a vector of  $N_{\text{RX}} \cdot M_{\text{TX}}$  complex zero-mean unit variance independent random variables shaped with a Doppler spectrum. Moreover, the elements of power shaping matrix,  $P$ , are the product of the standard deviations of the channel coefficients and enables to model the power delay profile of the MIMO multipath channel.

Therefore, it can be derived the discrete time MIMO correlated channel model from the general equation for the MIMO channel model (4) and (5) and the correlation matrix generated as it is illustrated in Figure 4.3. The digital sampling grid of the input samples with sampling grid spacing of  $\Delta T$  gives a discrete MIMO channel model expressed in equation (13):

$$\begin{aligned} t &= t_n = n\Delta T \\ \tau &= \tau_q = q\Delta T \\ x_i(n) &= \sum_{q=1}^Q \sum_{j=1}^{M_{\text{TX}}} H_{ij}(q, n) s_j(n-q) \end{aligned} \quad (13)$$

If the power delay profile contains  $Q$  non-zero taps, then equation (14) shows that the convolution can be simplified by summing only over the  $Q$  non-zero taps at the receiver  $i^{\text{th}}$  ( $n=0..N_{\text{RX}}$ ):

$$x_i(n) = \sum_{q=1}^Q \sum_{j=1}^{M_{\text{TX}}} H_{ij}(q, n) s_j(n-q) \quad (14)$$

$$\begin{aligned} H_{ij}(q, n) &= \sqrt{P_q} \alpha_{ij}(q, n) \delta(n-q) \Rightarrow \\ x_i(n) &= \sum_{j=1}^{M_{\text{TX}}} \sum_{q=1}^Q \sqrt{P_q} \alpha_{ij}(q, n) s_j(n-q) \end{aligned} \quad (15)$$

Here equation (15) resolves the transmission matrix in the different delays, which can be assumed to be common to all sub-channels.  $\alpha_{ij}(q, n)$  are the correlated transmission coefficients and  $P_q$  is the power of the  $q^{\text{th}}$  tap derived from the power shaping matrix and assumed that all the standard deviations of the channel coefficients at  $q^{\text{th}}$  tap are equal:

$$P_q = \sigma_{\alpha_y}^2(q) = \sigma_{\alpha}^2(q) \quad (16)$$

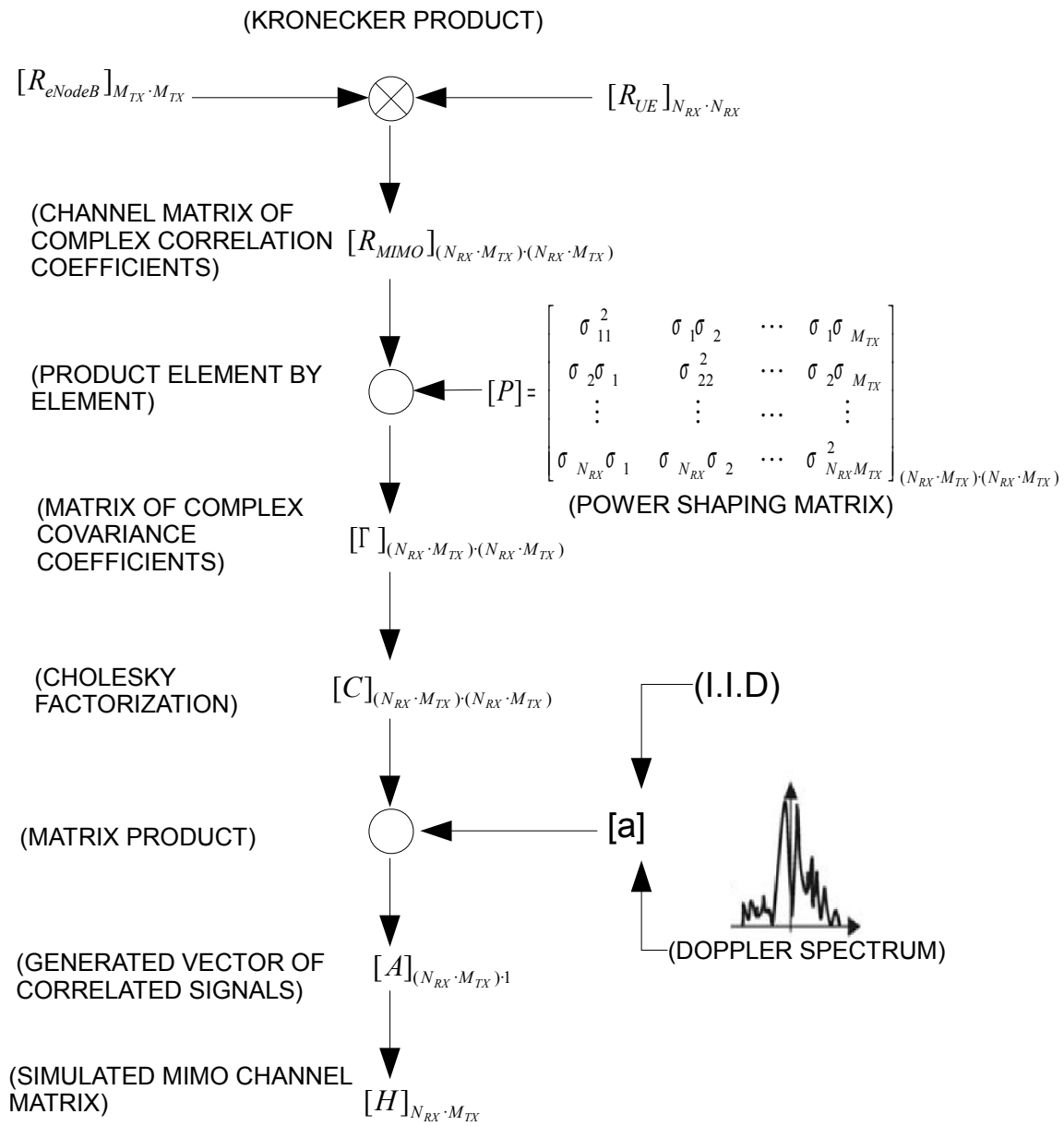


Figure 4.3: Flow chart of the Kronecker correlated channel coefficient generation (Source [42])

### 4.4. Physical interpretation of full MIMO channel knowledge

A nice and intuitive way to visualize the physical interpretation of a given MIMO channel matrix and the gain of the transmitter channel knowledge is by considering the singular-value decomposition (SVD, or generalized eigenvalue decomposition) of the channel matrix  $H = \text{SVD}(H) = \text{UDV}^H$ , where  $U$  and  $V$  are unitary and  $D$  is a diagonal matrix of singular values.

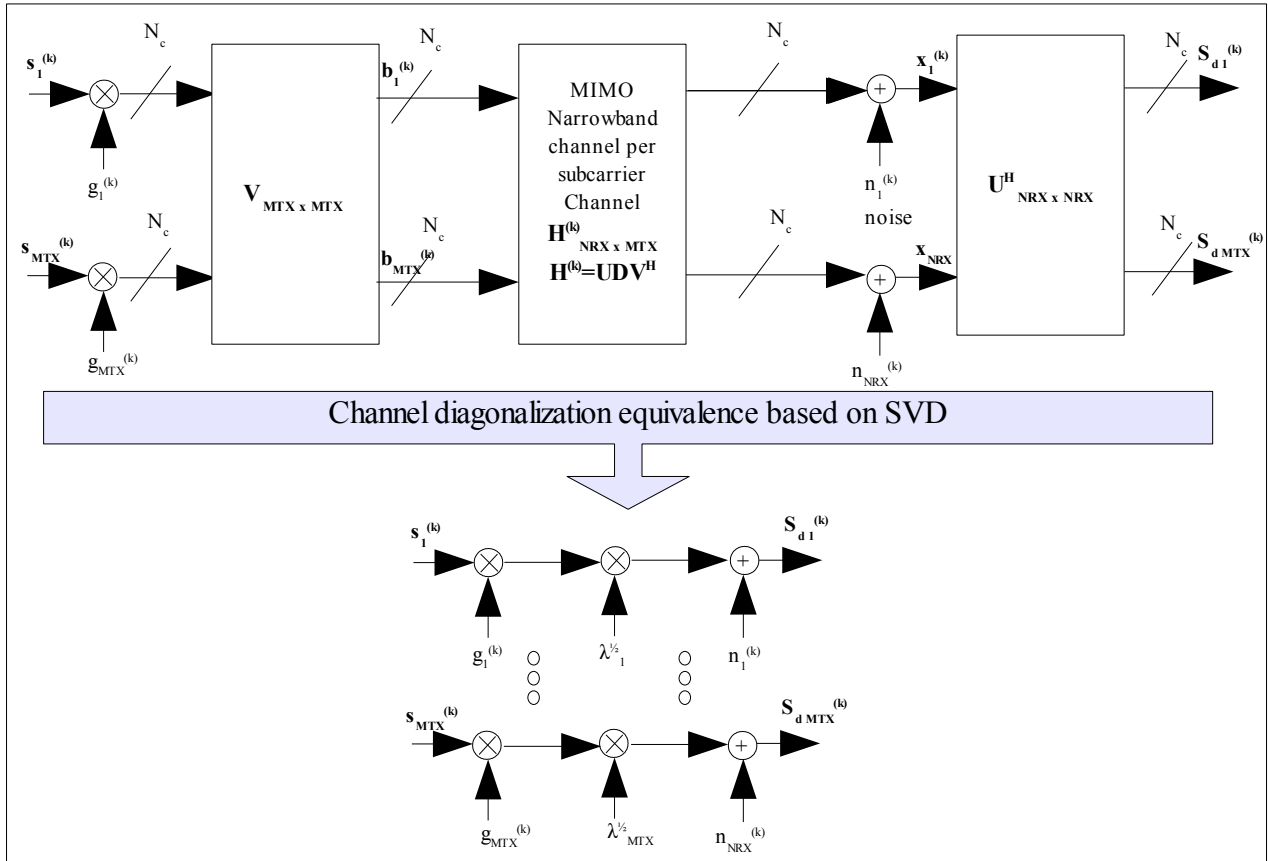


Figure 4.4: Equivalence of the MIMO physical model based on SVD channel decomposition.

As shown in Figure 4.4, with linear operations at the transmitter and the receiver, that is, multiplying by  $V$  and  $U^H$ , respectively, the channel can be diagonalized. Mathematically, expressed in equations from 17 to 25, channel diagonalization can be performed by considering a detected vector  $s_d^{(k)}$  that should be close to the input symbol vector  $s^{(k)}$ . Therefore, the complex signal precoded transmitted vector is  $b^{(k)}$  and the

complex signal received vector is  $x^{(k)}$ . Then, the detected vector can be written systematically from the Singular Value Decomposition of MIMO channel complex matrix is:

$$b^{(k)} = V^{(k)} s^{(k)} \quad (17)$$

$$x^{(k)} = H^{(k)} b^{(k)} + n^{(k)} \quad (18)$$

$$H^{(k)} = SVD(H^{(k)}) = U^{(k)} D^{(k)} V^{(k)H} \quad (19)$$

$$s_d^{(k)} = U^{(k)H} x = U^{(k)H} (H^{(k)} b^{(k)} + n^{(k)}) \quad (20)$$

$$s_d^{(k)} = U^{(k)H} U^{(k)} D^{(k)} V^{(k)H} V^{(k)} s^{(k)} + U^{(k)H} n^{(k)} \quad (21)$$

$$U^{(k)H} U^{(k)} = I_{NRX} \quad V^{(k)H} V^{(k)} = I_{MTX} \quad (22)$$

$$s_d^{(k)} = D^{(k)} s^{(k)} + U^{(k)H} n^{(k)} \quad (23)$$

where  $D$  is an  $NRX \times MTX$  dimensional diagonal matrix having the singular values of channel matrix  $H=H^{(k)}$  on its diagonal. These singular values are the square roots of the nonzero eigenvalues of  $HH^H$  or  $H^H H$  with  $i=1, \dots, N_i$  where  $N_i = \text{rank}(HH^H) \leq \min(MTX, NRX) = MTX$  (as  $MTX \leq NRX$ ) denotes the rank of the matrix  $HH^H$ .

$$D^{(k)} = \text{diag}(\sqrt{\lambda_1}, \sqrt{\lambda_2}, \dots, \sqrt{\lambda_{N_i}}) = \begin{pmatrix} \sqrt{\lambda_1} & 0 & \dots & 0 \\ 0 & \sqrt{\lambda_2} & 0 & \vdots \\ \vdots & 0 & \dots & 0 \\ 0 & \dots & 0 & \sqrt{\lambda_{N_i}} \end{pmatrix} \text{ where } \lambda_1 \geq \lambda_2 \geq \dots \geq \lambda_{N_i} \quad (24)$$

SVD diagonalizes the channel and cancels the spatial interference without any matrix inversions or nonlinear processing. If  $i^{\text{th}}$  stream  $s_i^{(k)}$  is always assigned to the same  $i^{\text{th}}$ -subchannel associated with  $i^{\text{th}}$ -eigenvalue, the detected  $i^{\text{th}}$  stream  $s_{di}^{(k)}$  is, taking into account the gain at the transmitter  $g_i$ :

$$s_{di}^{(k)} = \sqrt{\lambda_i^{(k)}} g_i^{(k)} s_i^{(k)} + n_i^{(k)} \quad (25)$$

Because  $U^{(k)}$  is unitary,  $U^{(k)H} n^{(k)}$  still has the same variance as  $n^{(k)}$ . Thus, the singular-value approach does not result in noise enhancement, as did the open-loop linear techniques.



## 4.5. MIMO Techniques

The MIMO techniques implemented in the DL MIMO-OFDM physical channel simulator are the so-called Zero Forcing (ZF) and MMSE linear detectors for open-loop spatial multiplexing and Space Frequency Block Coding (SFBC) with Alamouti Code at transmitter and MRC combining at the receiver for open-loop transmit diversity.

Transmit diversity schemes exploits the independent fading in the multiple antenna links to enhance signal diversity using the spatial dimension for adding more redundancy. Thus, transmit diversity keeps the data rate equivalent to a SISO channel with the goal to increase robustness. When the redundancy is generated through coding over the spatial and temporal dimension, the principle is called Space-Time Block Coding (STBC); and consequently, over the spatial and frequency dimension is called Space-Frequency Block Coding (SFBC), that is the case of LTE transmit diversity.

On the other hand, spatial multiplexing exploits the spatial dimension by transmitting multiple data streams in parallel on different antennas in order to increase the achievable data rate and hence the system capacity. In this case, the number of data streams is equal to the number of transmit antennas ( $M_{TX}$ ) and the number of receive antennas ( $N_{RX}$ ) is equal or greater than  $M_{TX}$ . Spatial multiplexing is optimal when the SNR is high because the capacity grows as  $M_{TX} \cdot \log(1+SNR)$  when SNR is high and approximately linearly with  $M_{TX}$  when SNR is low.

MIMO techniques can be performed with or without channel knowledge (CSI, Channel State Information) at the transmitter. The open loop techniques assumes that the channel is known at the receiver, through pilot symbols or other channel estimation techniques. The close loop techniques assumes that the channel is known at both sides, the transmitter and the receiver; therefore, it can be applied a precoding matrix based on a codebook.

### 4.5.1. Open Loop Spatial Multiplexing: ZF and MMSE

The baseband equivalent signal MIMO-OFDM model assumes that the bandwidth per subcarrier is so narrow that the channel can be treated as flat-fading per subcarrier. Figure 4.5 shows the scheme of a MIMO-OFDM spatial multiplexing with a linear receiver.

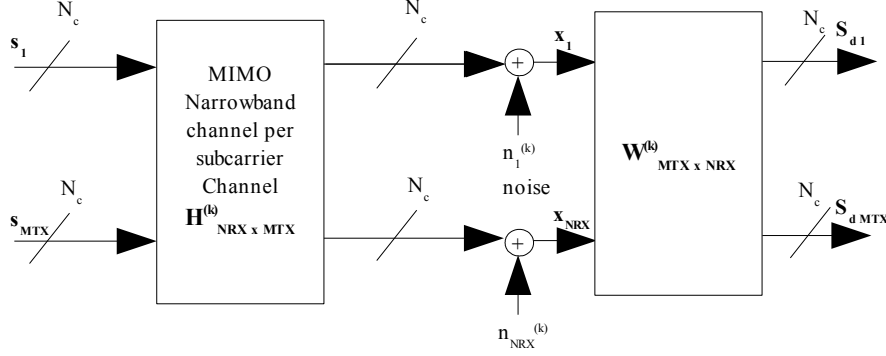


Figure 4.5: Block diagram of the MIMO Spatial Multiplexing with Linear detection.

The MIMO consists of  $M_{TX}$  transmit antennas and  $N_{RX}$  receive antennas, the transmitter sends a  $M_{TX}$ -dimensional complex signal vector  $s^{(k)}$  for each subcarrier and receiver captures a  $N_{RX}$ -dimensional complex vector  $x^{(k)}$  for each subcarrier, too, that includes the additive white gaussian noise (AWGN) at the receives. Equation (26) gives the baseband equivalent signal model that describes the relation between  $s^{(k)}$  and  $x^{(k)}$ .  $H^{(k)}$  is a  $N_{RX} \cdot M_{TX}$  complex propagation matrix at subcarrier  $k$  that is assumed constant for the duration of an OFDM symbol transmission.

$$x^{(k)} = H^{(k)} s^{(k)} + n^{(k)} \text{ where } s^{(k)} = (s_1^{(k)}, \dots, s_{M_{TX}}^{(k)})^T, x^{(k)} = (x_1^{(k)}, \dots, x_{N_{RX}}^{(k)})^T \quad (26)$$

The MIMO linear detectors presented in this subsection are ZF and MMSE and they are based on a receiver matrix  $W^{(k)}$ , a  $M_{TX} \cdot N_{RX}$  complex propagation matrix at subcarrier  $k$ , shown in equation (27), that represents the linear processing to estimate the signal vector sent  $s_d(k)$ .

$$s_d^{(k)} = W^{(k)} x^{(k)} \text{ where } s_d^{(k)} = (s_{d1}^{(k)}, \dots, s_{d_{M_{TX}}}^{(k)})^T \quad (27)$$

The zero forcing detector (ZF) is a linear MIMO technique which sets the receiver matrix  $W^{(k)}$  equal to the inverse of the flat-fading channel matrix  $H^{(k)}$  of the subcarrier  $k$  when the number of antennas at the

receiver is equal to the number of antennas at the transmitter ( $M^{TX}=N^{RX}$ ), or more generally to the pseudoinverse if channel matrix is not square.

$$W_{ZF}^{(k)} = (H^{(k)H} H^{(k)})^{-1} H^{(k)H} \quad (28)$$

The elements of  $H^{(k)}$  are assumed to be i.i.d.; therefore, the pseudoinverse exists when  $M^{TX}$  is less than or equal to  $N^{RX}$ . Otherwise, if  $M^{TX}$  is larger than  $N^{RX}$ , the channel matrix is singular, its inverse does not exist and there is no solution for the estimation of data vector sent. When the pseudoinverse exists, the zero forcing detector removes completely the spatial interference from the transmitted signal  $s^{(k)}$ , giving an estimated received vector  $s_d^{(k)}$ :

$$s_d^{(k)} = W^{(k)} x^{(k)} = (H^{(k)H} H^{(k)})^{-1} H^{(k)H} x^{(k)} = \underbrace{(H^{(k)H} H^{(k)})^{-1} H^{(k)H} H^{(k)}}_{(I_{M^{TX}})} s^{(k)} + (H^{(k)H} H^{(k)})^{-1} H^{(k)H} n^{(k)} \quad (29)$$

$$s_d^{(k)} = s^{(k)} + (H^{(k)H} H^{(k)})^{-1} H^{(k)H} n^{(k)} \quad (30)$$

Denote the  $i$ -th component of  $s_d^{(k)}$  by  $s_{di}^{(k)}$ , then as a final step,  $s_{di}^{(k)}$  must be rounded to the nearest constellation point, in case of not applying channel coding. In this way, all  $M^{TX}$  elements of  $s^{(k)}$  can be demodulated at the receiver. A big disadvantage of ZF detector is that it suffers from noise enhancement, especially for badly conditioned channels which produce a high amplification of the noise. The reason of this amplification is that the pseudoinverse inverts the eigenvalues of channel matrix  $H^{(k)}$  and the bad spatial subchannels with lower eigenvalues can severely amplify the noise.

A logical alternative to the zero-forcing receiver is the MMSE receiver, which attempts to strike a balance between spatial-interference suppression and noise enhancement by simply minimizing the distortion.

Therefore,

$$W_{MMSE}^{(k)} = \underbrace{\underset{(W^{(k)})}{\operatorname{argmin}} E \{ \|W^{(k)} x^{(k)} - s^{(k)}\|^2 \}}_{(31)}$$

which can be derived using the well-known orthogonality principle as

$$W_{MMSE}^{(k)} = (H^{(k)H} H^{(k)} + \frac{\sigma_n^2}{\sigma_s^2} I_{M^{TX}})^{-1} H^{(k)H} x \quad (32)$$

where  $\sigma_s^2$  is the transmitted power. In other words, as the SNR grows large, the MMSE detector converges to the ZF detector, but at low SNR, it prevents the worst eigenvalues of the channel matrix from being inverted. Equation (32) can be rewritten as (33):

$$W_{MMSE}^{(k)} = (H^{(k)H} H^{(k)} + \rho_k^{-1} I_{MTX})^{-1} H^{(k)H} x^{(k)} \quad (33)$$

where  $\rho_k$  is the baseband complex signal to noise ratio at subcarrier k and it is also equal to the total baseband complex signal to noise ratio of OFDM signal:

$$\rho_k = \left( \frac{\sigma_s^2}{\sigma_n^2} \right)_{\text{subcarrier } K} = \frac{E\{|s_i^{(k)}|^2\}}{E\{|n_i^{(k)}|^2\}} = \frac{E\{|s_i|^2\}}{E\{|n_i|^2\}} = \frac{N_c}{2\sigma_n^2} \quad \forall k, i \quad s_i^{(k)}, n_i^{(k)} \in \mathbb{C} \quad s_i, n_i \in \mathbb{C}^{1 \times N_c} \quad (34)$$

### 4.5.2. Open Loop Transmit Diversity: SFBC

E-UTRA physical layer employs the transmit diversity technique of Space Frequency Block Coding (SFBC), that is a frequency domain version for multicarriers systems such as OFDM of the well-known Space Time Block Coding (STBC). The Alamouti codes [51] are the simplest family of codes of all STBCs applied to MIMO configurations of 2 antennas at the transmitter and  $N_{RX}$  at the receiver. Alamouti codes are a rate-1 code (without rate loss) because of their orthogonality. Therefore, after a linear receive processing, it exist a perfect orthogonality between the symbols and there are two copies of each symbol transmitted and  $N_{RX}$  copies received.

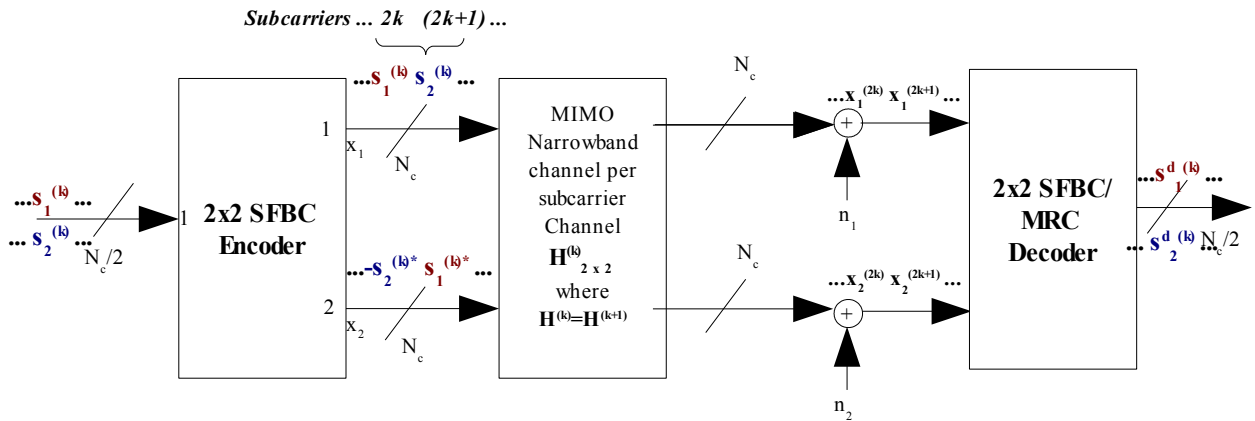


Figure 4.6: Block diagram of the MIMO Transmit Diversity: 2x2 SFBC with Alamouti Code and MRC.

The mapping for the space frequency block coding (SFBC) in E-UTRA physical layer for two transmit antennas is shown in table 4.2 [7] and the received vector signal is expressed by equation (35).

|                       | Antenna 1   | Antenna 2     |
|-----------------------|-------------|---------------|
| Subcarrier $k=2j$     | $s_1^{(i)}$ | $-s_2^{*(i)}$ |
| Subcarrier $k+1=2j+1$ | $s_2^{(i)}$ | $s_1^{*(i)}$  |

Table 4.2. LTE space frequency block code mapping

$$\begin{pmatrix} x_1^{(2k)} & x_1^{(2k+1)} \\ x_2^{(2k)} & x_2^{(2k+1)} \end{pmatrix} = \begin{pmatrix} h_{11}^{(k)} & h_{12}^{(k)} \\ h_{21}^{(k)} & h_{22}^{(k)} \end{pmatrix} \begin{pmatrix} s_1^{(k)} & s_2^{(k)} \\ -s_2^{(k)*} & s_1^{(k)*} \end{pmatrix} + \begin{pmatrix} n_1^{(2k)} & n_1^{(2k+1)} \\ n_2^{(2k)} & n_2^{(2k+1)} \end{pmatrix} \quad (35)$$

Then, at receiver side, assuming that channel coefficients are equal to two adjacent subcarriers,  $H(k)=H(k+1)$ , the space frequency block decoding after OFDM demodulation (FFT) is expressed in equation (36) and (37) per each of 2 receiver branch:

$$\begin{pmatrix} s_{a1}^{(k)} \\ s_{a2}^{(k)*} \end{pmatrix} = \begin{pmatrix} h_{11}^{(k)*} & h_{12}^{(k)} \\ -h_{21}^{(k)*} & h_{22}^{(k)} \end{pmatrix} \begin{pmatrix} x_1^{(2k)} \\ x_1^{(2k+1)} \end{pmatrix} \quad (36)$$

$$\begin{pmatrix} s_{b1}^{(k)} \\ s_{b2}^{(k)*} \end{pmatrix} = \begin{pmatrix} h_{21}^{(k)*} & h_{22}^{(k)} \\ -h_{12}^{(k)*} & h_{11}^{(k)} \end{pmatrix} \begin{pmatrix} x_1^{(2k)} \\ x_1^{(2k+1)} \end{pmatrix} \quad (37)$$

Then, applying maximal ratio combining (MRC) between the two branches, i.e., adding (36) and (37), the detected symbols is expressed by equation (38).

$$s_d = \begin{bmatrix} s_{d1}^{(k)} \\ s_{d2}^{(k)} \end{bmatrix} = \frac{\begin{bmatrix} s_{a1}^{(k)} \\ s_{a2}^{(k)} \end{bmatrix} + \begin{bmatrix} s_{b1}^{(k)} \\ s_{b2}^{(k)} \end{bmatrix}}{|h_{11}^{(k)}|^2 + |h_{12}^{(k)}|^2 + |h_{21}^{(k)}|^2 + |h_{22}^{(k)}|^2} \quad (38)$$

## Chapter 5. UTRA DL Link Level Simulator: Channel Coding, Rate Matching and HARQ

### 5.1. Channel Coding and Rate Matching features

As it has been described in section 3, the E-UTRA DL link level simulator is split in two stages: the first stage is the “MIMO-OFDM physical channel simulator” that includes the wideband OFDM modulation/demodulation and the MIMO multipath channel and the second stage is the “Channel Coding and Rate Matching simulator” that includes the Turbo encoder/decoder, Rate Matching and HARQ, as it is shown in Figure 5.1. The output of the first stage is the set of the log-likelihood ratios (LLR) of the received encoded bits. Then, the second stage filter the set of LLRs, which account for all simulated OFDM subcarriers, to extract the LLRs of the Physical Resource Blocks (PRB) assigned to the simulated user. In this way the time and frequency correlations of the channel response, as seen by the mobile terminal, are properly captured.

The channel coding, rate matching and HARQ link level simulator described in this section has been programmed in C++ language and is based on TS.36.212 [8]. Its inputs are all the log-likelihood ratios (LLRs) of bits of the physical channel simulations and the channel coding rate. Then, its outputs are a realistic BER and BLER and the link level throughput look-up tables in bit/s/Hz.

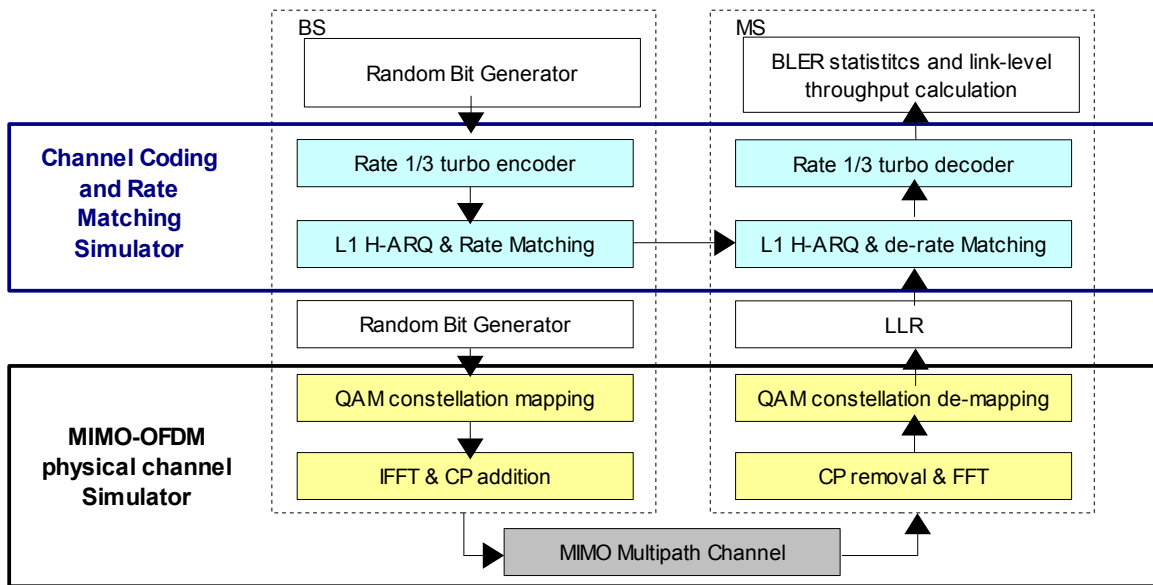


Figure 5.1: E-UTRA DL Link Level Simulator block diagram.

In LTE, the channel coding scheme for transport channels is Turbo Coding with a coding rate of  $R=1/3$ , two 8-state constituent encoders and a contention-free quadratic permutation polynomial (QPP) turbo code internal interleaver. The turbo encoder performs Trellis termination and before the turbo coding, transport blocks are segmented into byte aligned segments with a maximum information block size of 6144 bits, called code block. The error detection is supported by the use of 24 bit CRC. The result of the rate 1/3 turbo encoder creates three independent streams with systematic and redundant bits. These streams are interleaved and fed to the circular buffer based on rate matching and H-ARQ procedure.

At the transmitter, rate matching is based on an algorithm that comprises 3 sub-block interleavers, one for systematic turbo-coded bit streams and 2 for redundant turbo-coded bit streams. Then, interleaved systematic turbo-coded bits are stored in the circular buffer contiguously and redundant turbo-coded bits in an interlaced format. Variable coding rate is achieved by applying different puncturing patterns depending on the current H-ARQ incremental redundancy (IR) version. Up to four IR transmissions per code block are allowed. Then, at the other side, the receiver inverts the processing of the rate matching, turbo coding and HARQ processes. The turbo decoder uses a MAP algorithm and a maximum of 8 decoding iterations and the HARQ process uses the ACK/NACK to detect the error free transmission.

When coding is applied, instead of hard decision demodulated bits, the QAM demodulator generates soft values as inputs to the turbo decoder reflecting the reliability on each bit. According to [27] the log-likelihood ratio (LLR) for turbo decoder concerning bit  $b_k$  is defined as (39) that is the ratio between the probability that this bit is 0 over the probability that this bit is 1 based on the knowledge of received variable of decision, called  $x$ .

$$\text{LLR of bit } b_k = L(b_k) = \ln \frac{\Pr(b_k = 0 | x)}{\Pr(b_k = 1 | x)} \quad (39)$$

Equation (39) could be taken equivalently in symbol space (40) as [27] indicates; where  $s_d$  is the detected symbol and  $s_i|b_k=0$  is the set of modulation alphabet  $s_i$  that its  $k$  bit is 0 and  $s_i|b_k=1$  is the set of modulation alphabet  $s_i$  that its  $k$  bit is 1.

$$L(b_k) = \ln \frac{\Pr(b_k = 0 | s_d)}{\Pr(b_k = 1 | s_d)} = \ln \frac{\sum_{s_i|b_k=0} \Pr(s_i | s_d)}{\sum_{s_i|b_k=1} \Pr(s_i | s_d)} = \ln \frac{\sum_{s_i|b_k=0} \Pr(s_d | s_i) \Pr(s_i)}{\sum_{s_i|b_k=1} \Pr(s_d | s_i) \Pr(s_i)} = \ln \frac{\sum_{s_i|b_k=0} \Pr(s_d | s_i)}{\sum_{s_i|b_k=1} \Pr(s_d | s_i)} \quad (40)$$

Then, the LLR calculation could be approximated to equation (41) :

$$L(b_k) \approx \left[ \min_{s_i|b_k=1} \{|s_d - s_i|^2\} - \min_{s_i|b_k=0} \{|s_d - s_i|^2\} \right] \quad (41)$$

## 5.1. E-UTRA Turbo Coding

The E-UTRA Turbo encoder is defined in [8] and the Turbo decoder is based on a MAP decoder described in [53]. [54] been also taken as reference to implement the Turbo encoder/decoder in the E-UTRA DL link level simulator.

The turbo coding is a forward error correction (or channel coding) technique and its construction is based on Parallel Concatenated Convolutional Code (PCCC), i.e., convolutional codes by forming a parallel concatenation of two or more such codes. The scheme of LTE turbo encoder is a PCCC with two 8-state constituent encoders and one turbo code internal interleaver and its coding rate is 1/3. Figure 5.2 shows the structure of turbo encoder [8] where the input sequence to be encoded is called  $c_k$ .



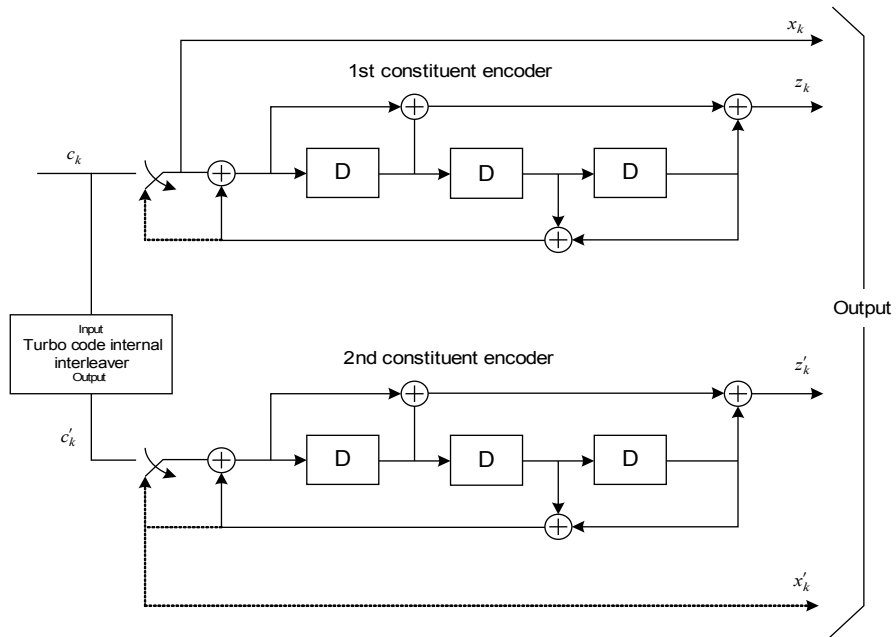


Figure 5.2: Structure of rate 1/3 turbo encoder (dotted lines apply for trellis termination only)

$c_k$  is the information or systematic sequence and it is also block-interleaved before it is encoded in the second convolution code constituent to increase the effects of coding diversity, and then, it is called  $c'_k$ . The output of a turbo code consists of outputs of each convolutional encoder as well as the original sequence; hence, the overall code is systematic (that is, the information sequence appears at the output). The systematic bits of the second constituent are not sent because they can be obtained in the decoder by interleaving the original sequence sent. Then, the output from the turbo encoder called coded block consists of 3 encoded streams, one with systematic bits,  $d_k^{(0)}=x_k$ , and two with encoded bits,  $d_k^{(1)}=z_k$  and  $d_k^{(2)}=z'_k$ .

The turbo block is ended by a trellis termination and guarantees that the encoder is always at state zero at the end of a turbo block and at the beginning of the next one. During normal operation the bits are transmitted in the following order before multiplexing:  $x_k, z_k, z'_k$  that corresponds to a code rate of 1/3. Trellis termination is performed by taking the tail bits from the shift register feedback after all information bits are encoded. The tail bits are padded after the encoding of information bits in the order of the first

three tail bits of the first constituent encoder:  $x_{\text{tail}_1, Z_{\text{tail}_1}}$ ,  $x_{\text{tail}_2, Z_{\text{tail}_2}}$ ,  $x_{\text{tail}_3, Z_{\text{tail}_3}}$ ; and then the second constituent,  $x'_{\text{tail}_1, Z'_{\text{tail}_1}}$ ,  $x'_{\text{tail}_2, Z'_{\text{tail}_2}}$ ,  $x'_{\text{tail}_3, Z'_{\text{tail}_3}}$ . So the total number of bits during trellis termination is 12.

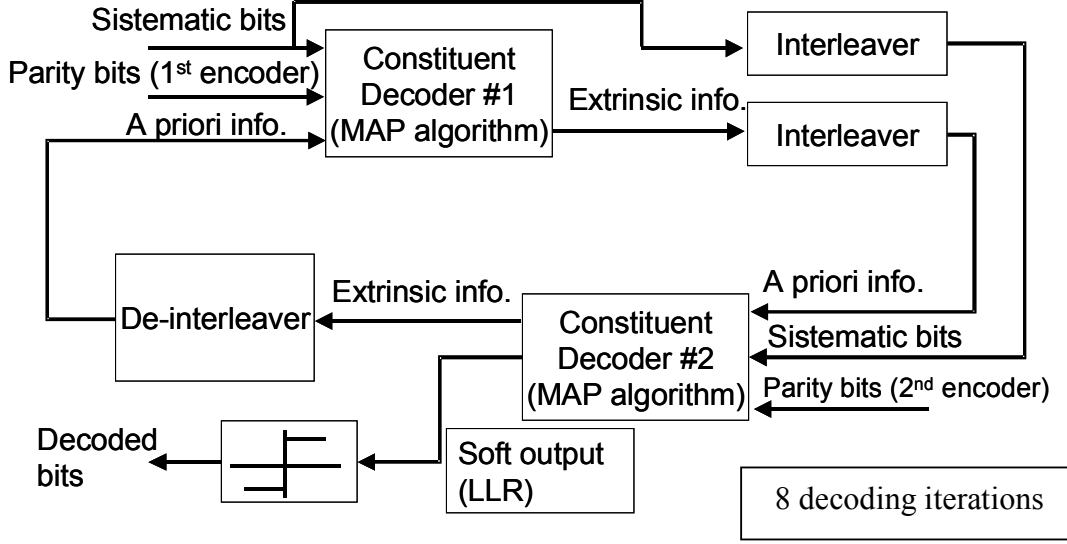


Figure 5.3: Block diagram of the turbo decoder.

The decoding of turbo codes is based on an iterative structure constructed from MAP (maximum a posteriori probability) algorithms for the decoding of each constituent. Figure 5.3 shows the high-level block diagram of the turbo decoder [54] and, specifically, the MAP algorithm implemented in the DL link level simulator has been designed with a maximum of 8 decoding iterations. The implementation of the MAP algorithm requires the knowledge of the probability of all possible transitions in the trellis, shown in Figure 5.4. The initial conditions to calculate these probabilities starts from the LLRs of the physical channel simulations conditioned on the transmission of logical level 0 or logical level 1. As it has been defined in equation (39), the log-likelihood ratio (LLR) of a given bit,  $b_k$ , is defined as:

$$LLR(b_k) \equiv \log \left[ \frac{\text{Prob}(b_k = 0 | x_k)}{\text{Prob}(b_k = 1 | x_k)} \right] \quad (42)$$

where  $x_k$  is the received noisy soft sample of  $b_k$ . Then, the LLR can also be written, according to Bayes rule, as equation (43), starting from a priori information of zero and only after the first decoding iteration it takes effect.

$$LLR(b_k) \equiv \log \left[ \frac{\text{Prob}(x_k | b_k = 0)}{\text{Prob}(x_k | b_k = 1)} \right] + \log \left[ \frac{\text{Prob}(b_k = 0)}{\text{Prob}(b_k = 1)} \right] \quad (43)$$

Channel LLR
A Priori Information

The channel LLR can also be decomposed in two additive terms: the intrinsic information and the extrinsic information. The intrinsic information is the LLR that depends only on the noisy sample of the bit  $x_k$ , while the extrinsic information is the LLR that depends on the adjacent bits and on the trellis constraints. Each decoder computes the complete LLR of every bit in every iteration, but to avoid undesirable feedback, only the extrinsic information at the output of each decoder is used as a priori information for the next decoding process. After 8 decoding iterations, a hard decision is taken for every bit based on the sign on the LLR, if LLR is lower than 0, the selected decoded bit is 1, otherwise, is 0.

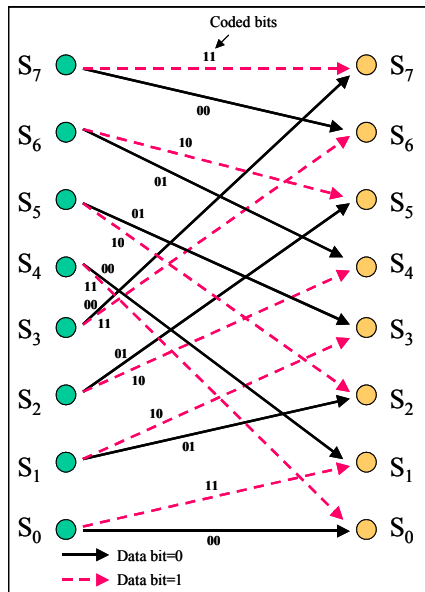


Figure 5.4: Trellis of each 8-state constituent encoders..

## 5.2. LTE Rate Matching and HARQ processes for turbo coded transport channels

The rate matching for turbo coded transport channels is defined per coded block in [8] and consists of interleaving three information bit streams  $d_k(0)$ ,  $d_k(1)$  and  $d_k(2)$ , followed by the collection of bits and the collection of bits and the generation of a circular buffer, as shown in Figure 5.4. The circular buffer based rate matching provides a simple method of generating puncturing patterns with good performance as it is described in [56] and [57].

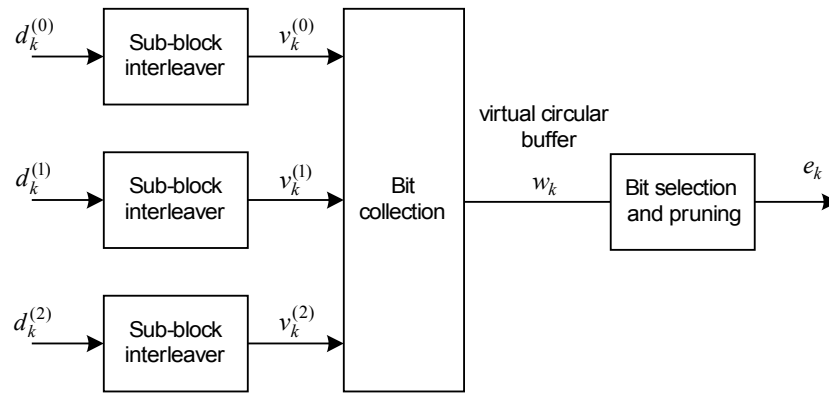


Figure 5.5: Rate Matching for turbo coded transport channels [8].

Figure 5.5 shows a representation of the circular buffer where are stored the systematic and redundant interleaved bit streams. Each stream,  $d_k(0)$ ,  $d_k(1)$  and  $d_k(2)$ , is rearranged with its own sub-block interleaver forming  $v_k(0)$ ,  $v_k(1)$  and  $v_k(2)$ , respectively. Then, a single buffer is formed by placing the rearranged systematic bits,  $v_k(0)$ , in the beginning followed by interlacing the two rearranged redundant streams,  $v_k(1)$  and  $v_k(2)$ . This single buffer  $w_k$  is seen as a virtual circular buffer and Bit selection and pruning selects the number of coded bits (E) for transmission to satisfy the desired code rate of operation. The bit selection simply reads out the first E bits beginning from a certain starting point in the buffer. If the end of the buffer is reached, then the reading continues by wrapping around to the beginning of the buffer. Therefore, in this way, puncturing and repetition can be achieved using this single method. Then the output streams,

$e_k$ , forms the redundancy version (RV), that are the unit of error correction coding and are fed to the physical channel processing [7]. Additionally, when MIMO multiplexing transmission is applied, one or more codewords are transmitted simultaneously.

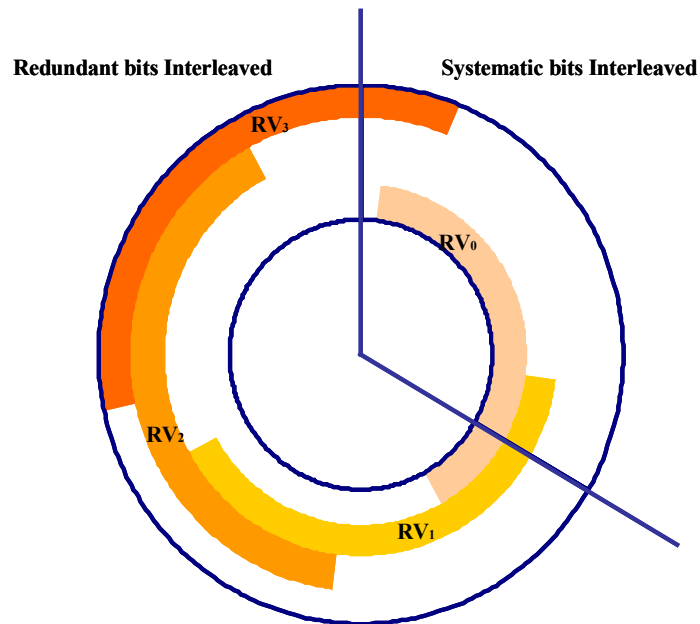


Figure 5.6: Circular Buffer Representation

The advantages of circular buffer are its flexibility in code rates achieved and granularity in streams sizes. Moreover, circular buffer is well suited to H-ARQ operation as different redundancy versions ( $RV_x$ ), up to 4 ( $RV_0$ ,  $RV_1$ ,  $RV_2$  and  $RV_3$ ), can be specified by simply defining different starting points in circular buffer. H-ARQ technique is used to control the retransmission of packets, so, if there is no errors in the decoded packet, there is no retransmission.

A part from HARQ, E-UTRAN provides ARQ functionalities. The ARQ functionality provides error correction by retransmissions in acknowledged mode at Layer 2 and the HARQ functionality ensures delivery between peer entities at Layer 1.

## Chapter 6. Simulations and results

### 6.1. Link Level Simulator Parameters

For the simulations presented in this section, it has been assumed ideal channel estimation, a MIMO configuration of 2 antennas at the transmitter and 2 antennas at the receiver and also a SISO configuration, and the Extended Pedestrian A (EPA) with 3 Km/h pedestrian speed as the multipath channel model [21-22] where its power delay profile is shown in Figure 6.1. Concerning to physical resource allocation, it has been only considered one PRB per one simulated user, although the 3GPP specification establishes a minimum allocation of 4 PRB for the case of 20MHz bandwidth [9]. E-UTRA turbo code block size can be from a minimum of 40 bits to a maximum of 6144 bits and the turbo code internal interleaver parameters are specified in [8], and a code block sizes from 40 to 120 bits have been used for the simulations. Then, the block size for each simulation results from the size of the assigned PRB and the code rate. Finally, Table 6.1 summarizes the parameters used for the simulations.

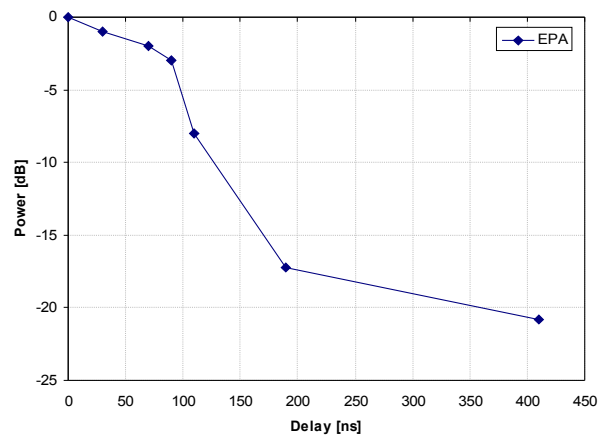


Figure 6.1: EPA channel Power Delay Profile

| Parameter                                  | Value  |
|--|--|
| Carrier frequency                          | 2.14 GHz   |
| Transmission Bandwidth                     | 20 MHz   |
| Sub-carrier spacing                        | 15 KHz   |
| FFT Size                                   | 2048   |
| OFDM Cyclic Prefix                         | CP of 4.69 $\mu$ s , 7 modulation symbol/subframe  |
| Number of Useful subcarriers               | 1200   |
| OFDM symbol duration                       | 71.43 $\mu$ s  |
| Number of sub-carriers per PRB             | 12   |
| Maximum Number of PRBs                     | 100  |
| Number of simulated PRB per simulated user | 1  |
| Sub-frame duration                         | 0.5 ms   |
| TTI length                                 | 1 ms   |
| Number of OFDM symbols per TTI             | 14 (4 for control)   |
| Power Delay Profile                        | EPA channel model, Pedestrian speed 3 Km/h   |
| Channel Coding                             | Turbo Code basic rate 1/3  |
| Code block sizes                           | 40-120 bits  |
| Rate Matching and H-ARQ                    | According to [8] (release 8), Max. 4 IR transmissions.   |
| AMC formats                                | QPSK: 1/3, 1/2, 2/3, 4/5<br>16QAM: 1/2, 2/3, 4/5<br>64QAM: 2/3, 4/5                                      |
| Channels Estimation                        | Ideal  |
| Antenna schemes                            | SISO 1x1 and MIMO 2x2  |
| SISO receiver                              | One tap equalizer  |
| MIMO receiver                              | ZF, MMSE and Alamouti/MRC  |
| MIMO channel correlation                   | Low Correlation (Uncorrelated) (LC), Medium Correlation (MC) and High Correlation (HC) according to [21] |

Table 6.1.E-UTRA DL link level parameters

## 6.2. Validation of the SISO and MIMO OFDM multipath channel

The SISO and MIMO OFDM physical channel link level simulator has been validated comparing the uncoded BER performance results to the uncoded BER figures presented in [58] and [59] for the SISO-OFDM case, and [27],[32] and [60] for the MIMO-OFDM case. AWGN and EPA multipath channel @ 3Km/h have been taken into account for the SISO channel model and EPA multipath channel @ 3Km/h for the MIMO channel model. Moreover, for this comparison, MIMO has been particularized to the uncorrelated case of 2 antennas at the transmitter and 2 or 1 antennas at the receiver. The uncoded BER validation is illustrated in Figures 6.2 and 6.3 for the SISO and MIMO channel, respectively, implemented in the DL link level simulator.

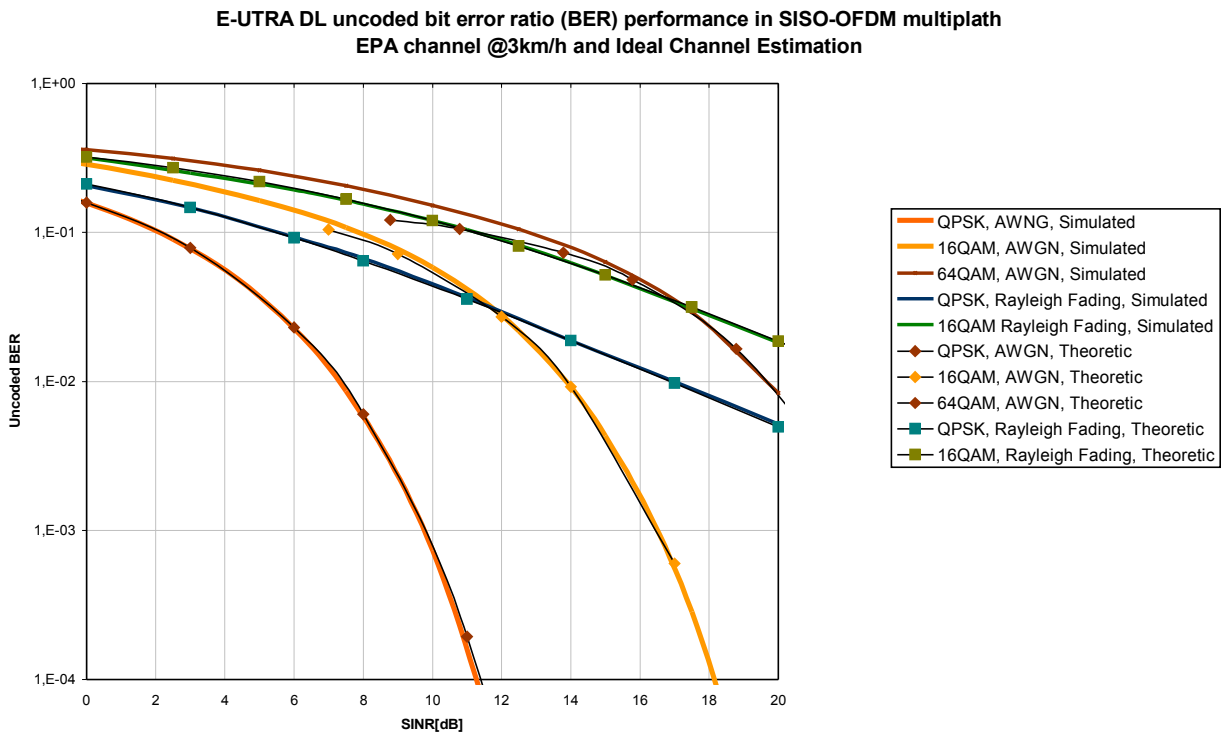


Figure 6.2: Uncoded BER validation of DL 2 x 2 Uncorrelated SISO channel



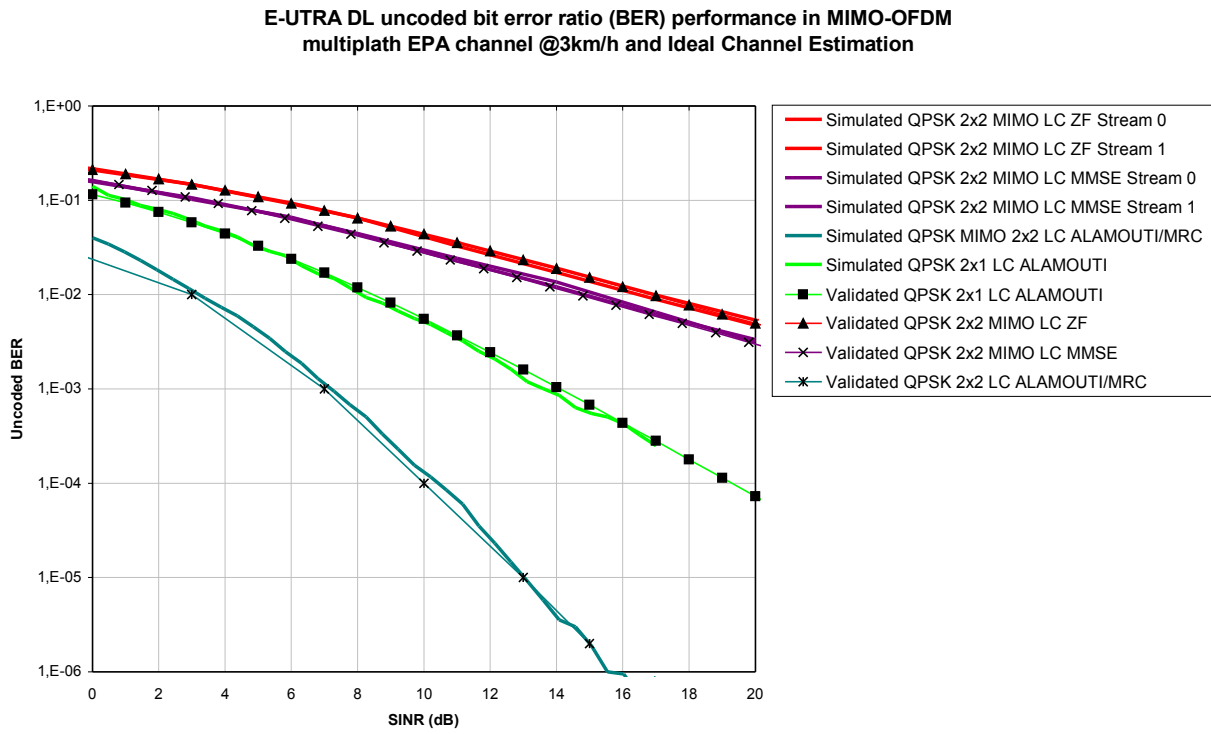


Figure 6.3: Uncoded BER validation of DL 2 x 2 Uncorrelated MIMO channel

### 6.3. Performance of the different LTE Downlink AMC schemes with MIMO assumption

Figures 6.4, 6.5 and 6.6 shows the uncoded BER performance results of the DL link level simulations for different modulations schemes and MIMO correlations with 2 antennas at the transmitter and 2 antennas at the receiver that is the minimum baseline MIMO configuration of E-UTRA physical layer. The simulated MIMO techniques are open-loop and ZF and MMSE for spatial multiplexing and SFBC (2 x 2 Alamouti/MRC) for transmit diversity. The uncoded BER performance results get worst when the MIMO correlation matrix coefficients rise; therefore the ideal case is the low correlation MIMO that is the uncorrelated case, and medium and high correlation cases obtain worst results.

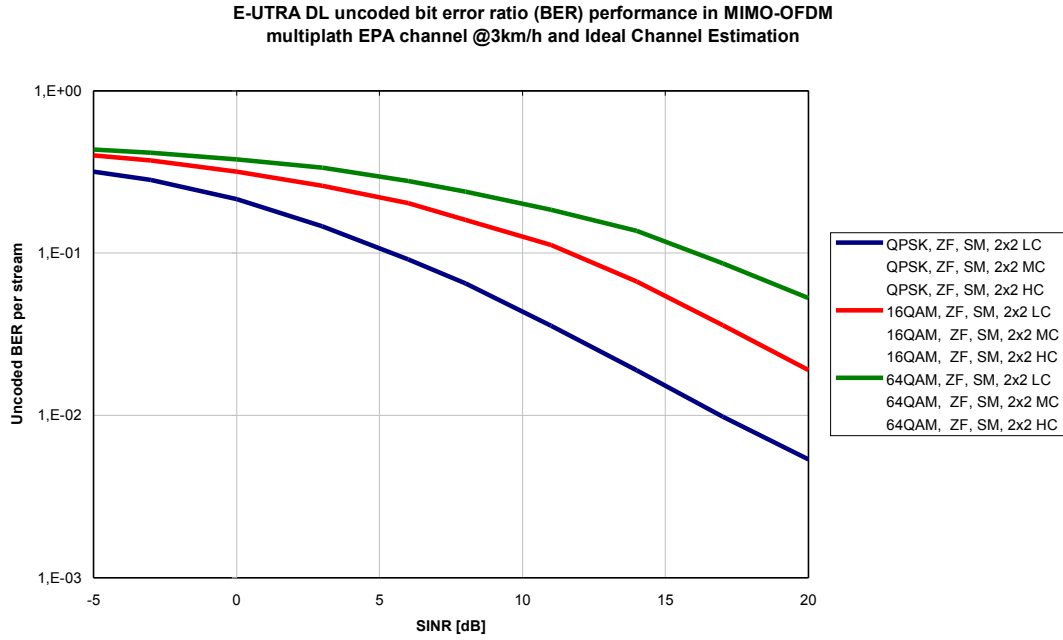


Figure 6.4: Uncoded BER performance results in case of Spatial Multiplexing, ZF Detector and 2 x 2 MIMO .

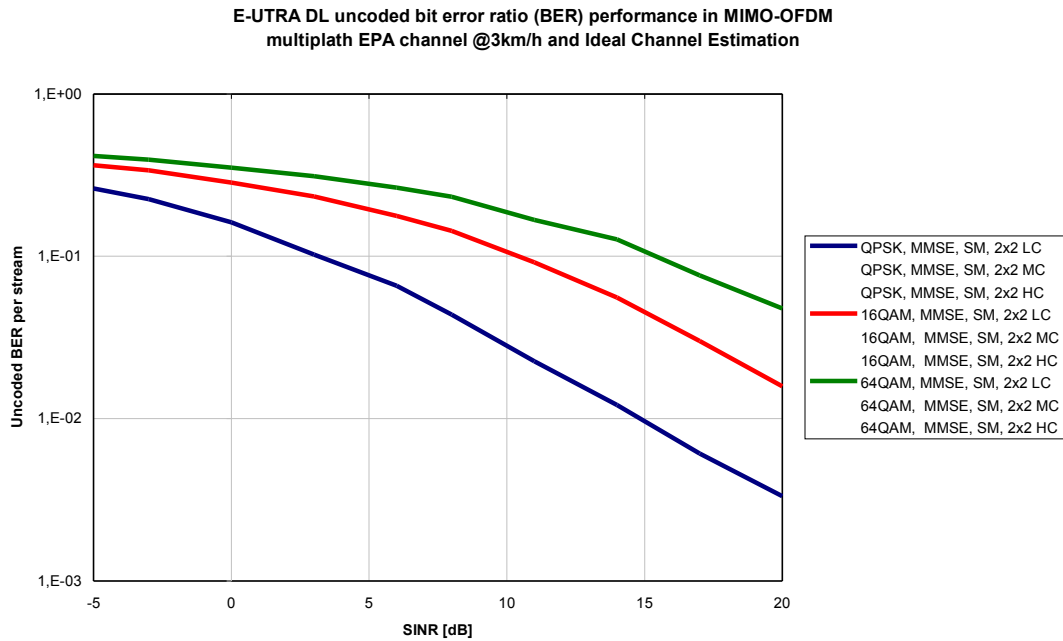


Figure 6.5: Uncoded BER performance results in case of Spatial Multiplexing, MMSE Detector and 2 x 2 MIMO.

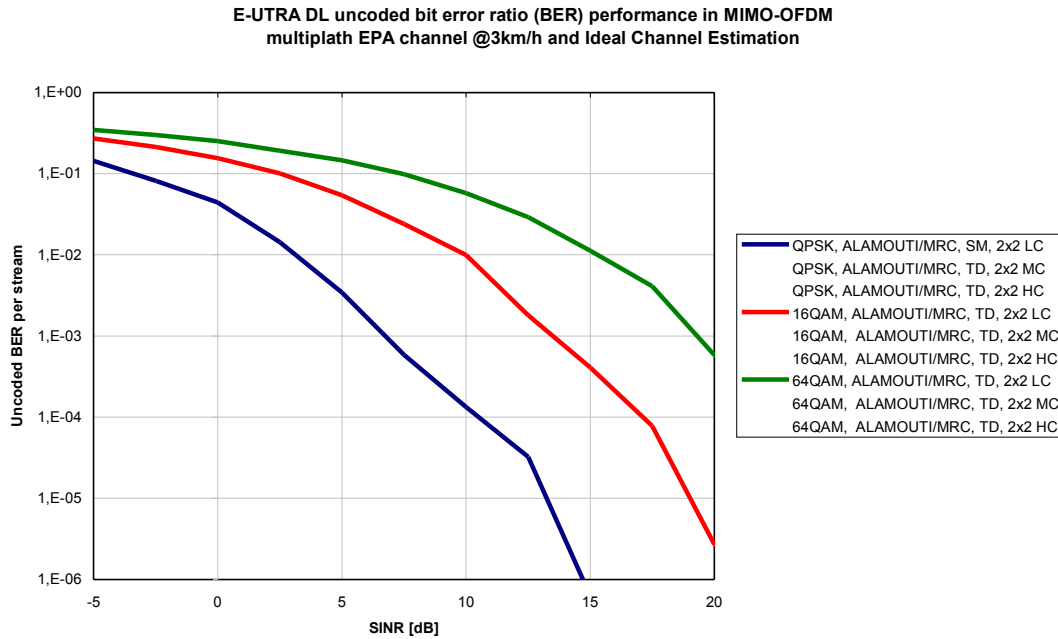


Figure 6.6: Uncoded BER performance results in case of Transmit Diversity, Alamouti/MRC and 2 x 2 MIMO.

Another consideration shown in Figures 6.4, 6.5 and 6.6 is that transmit diversity (TD) (SFBC (2 x 2 Alamouti/MRC)) achieves lower uncoded BER than spatial multiplexing because transmit diversity takes advantage of its redundancy transmission; but, in contrast, it can only send the half data rate respect to the case of 2x2 MIMO with spatial multiplexing (SM). MMSE detector overperforms ZF detector because lower uncoded BER are obtained at the same average SINR. That is the reason why Figure 6.7 only compares the maximum throughput obtained in the case of MMSE respect to the case of Alamouti/MRC.

Figure 6.7 shows the maximum throughput performance results vs. the average simulated SINR considering the different Modulation and Coding Schemes (MCS) classes with H-ARQ and different MIMO schemes and correlations applied to the DL link level simulations. In appendix A, the DL link level throughput performance results per MCS are shown, Figure A.1 and A.2 for the AWGN and Rayleigh Fading channel, and from Figure A.3 to A.11 for the 2 x 2 MIMO configuration with ZF, MMSE and Alamouti/MRC linear receivers.

In the case of uncorrelated MIMO channel, MMSE detector gets higher throughputs than Alamouti/MRC

detecotr for an average SINR higher than 10 dB. Then, at lower average SINR, MMSE and Alamouti/MRC obtain the same throughput. But when medium and high correlated MIMO is considered, the throughput obtained by Alamouti/MRC below an average SINR of 21 dB and 27 dB, respectively, is higher than the obtained by the MMSE. In short, in case of correlated MIMO channels, transmit diversity throughput overperforms the spatial multiplexing throughput at lower SINRs. Therefore, MMSE detector have more sense at higher SINRs, leaving Alamouti/MRC scheme for lower SINRs.

Furthermore, the E-UTRA requirement for the DL peak rate for the case of 2 x 2 MIMO, shown in table 2.2, is 8.6 bits/s/Hz; therefore, it can be deduced from the DL link simulations that this fact is feasible with the baseline open loop MMSE linear detector without precoding at high SINRs. Of course, this requirement is satisfied at a lower SINR if the correlation matrix coefficients are lower, as well. For instance, the required throughput of 8.6 bits/s/Hz is achieved at 22 dB in case of a 2x2 uncorrelated MIMO channel and MMSE detector. In case of a 2x2 medium correlated MIMO channel, then the required throughput is achieved approximately at 30 dB. Therefore, spatial multiplexing is only possible if MIMO channel presents enough decorrelation between antennas.

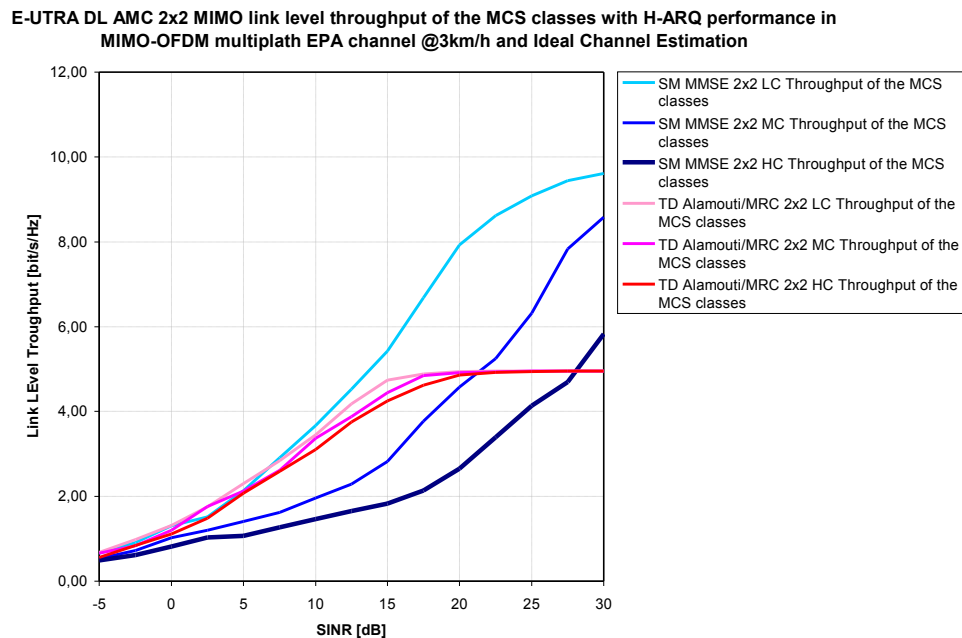


Figure 6.7: E-UTRA DL AMC 2x2 MIMO link level throughput of the MCS classes with H-ARQ (8 turbo decoding iterations. Code block size: 40-120 bits).

## Chapter 7. Conclusions and Future Work

A E-UTRA DL link level simulator has been developed which is split in two stages, the SISO and MIMO OFDM physical channel simulator and the channel coding, rate matching and HARQ simulator based on 3GPP LTE specifications [7] and [8]. The goal of this simulator is to evaluate the baseline E-UTRA DL link level and to obtain detailed E-UTRA DL link level performance results in order to properly back up to a system level simulator.

The implementation of the MIMO OFDM physical channel simulator enables to simulate the foreseen LTE MIMO configurations. This master thesis has presented the first average performance results of this simulator under the case of a 2 x 2 MIMO configuration with different correlation environments at the transmitter and at the receiver. The implemented detectors are the ZF and MMSE for spatial multiplexing and Alamouti/MRC for the transmit diversity. Future work on this MIMO OFDM physical channel simulator will take into account precoding matrix based on a codebook for spatial multiplexing and transmit diversity and different PRBs allocation strategies, distributed and localized. Apart from that, the simulation of higher MIMO configurations, such as 4x4, 4x2 and 8x8, will be necessary as they are required by LTE advanced specifications.

The channel coding, rate matching and HARQ simulator enables to estimate the maximum average throughput of the E-UTRA physical layer per simulated average SINR and different MCS. But, as it has been previously mentioned in this document, these simulations do not take into account the instantaneous performance and cannot model properly the link layer look-up table (LUT) interface to a system level simulator. Therefore, the future work will be to construct the effective SINR (ESINR) mapping functions based on the link level simulations of the simulator presented in this document. Then, the ESINR will be tabulated to represent the BER functions for the instantaneous system level SINR. Finally, an E-UTRA system level simulator will be developed and it will use the performance results of the link layer simulator.

## Bibliography

- [1]. 3GPP, TR 25.913, “Requirements for Evolved UTRA (E-UTRA) and Evolved UTRAN (E-UTRAN) (Release 7)”.
- [2]. “UTRA-UTRAN Long Term Evolution (LTE) and 3GPP System Architecture Evolution (SAE)” [online]. URL: <http://www.3gpp.org/Highlights/LTE/LTE.htm>.
- [3]. 3GPP, “Overview of 3GPP Release 8 V.0.0.3 (2008-11)”.
- [4]. 3GPP, TR 25.814, “Physical layer aspects for evolved Universal Terrestrial Radio Access (UTRA) (Release 7)”.
- [5]. 3GPP, TR 25.912, “Feasibility study for evolved Universal Terrestrial Radio Access (UTRA) and Universal Terrestrial Radio Access Network (UTRAN) (Release 7)”.
- [6]. 3GPP TS 36.201 V8.2.0 (2008-12) , “LTE Physical Layer - General Description (Release 8)”, URL: <http://www.3gpp.org>.
- [7]. 3GPP TS 36.211 V8.5.0 (2008-12) , “Evolved Universal Terrestrial Radio Access (E-UTRA) Physical Channels and Modulation (Release 8)”.
- [8]. 3GPP TS 36.212 V8.5.0 (2008-12) , “Evolved Universal Terrestrial Radio Access (E-UTRA) Multiplexing and channel coding (Release 8)”.
- [9]. 3GPP TS 36.213 V8.5.0 (2008-12), “Evolved Universal Terrestrial Radio Access (E-UTRA) Physical layer procedure (Release 8)”.
- [10]. Zyren, Jim, “Overview of the 3GPP Long Term Evolution Physical Layer”, White Paper, Freescale Semiconductor, 07/2007.
- [11]. Agilent, “3GPP Long Term Evolution: System Overview, Product Development and Test Challenges”.
- [12]. 3GPP TR 25.892 V6.0.0 (2004-06), “Feasibility Study for Orthogonal Frequency Division Multiplexing (OFDM) for UTRAN enhancement (Release 6)”.
- [13]. Ramjee Prasad, “OFDM for Wireless Communications Systems“, Artech House Universal Personal Communications series, 2004.
- [14]. 3GPP TR 25.943 V7.0.0 (2007-06), “Deployment aspects (Release 7)”.
- [15]. Erik Dahlman, Anders Furuskär, Ylva Jading, Magnus Lundevall and Stefan Parkvall, “Key features of the LTE radio interface”, Ericsson Review No.2 , 2008.
- [16]. Hongwei Yang, “A road to future broadband wireless access: MIMO-OFDM-Based air interface”, Communications Magazine, IEEE, Volume 43, Issue 1, Jan. 2005.
- [17]. Paulraj, A.J.; Gore, D.A.; Nabar, R.U.; Bolcskei, H., "An overview of MIMO communications - a key to gigabit wireless", Proceedings of the IEEE, Volume 92, Issue 2, Feb 2004.
- [18]. Stüber, G.L.; Mclaughlin, S.W., Ingram, M.A.; “Broadband MIMO-OFDM Wireless Communications”, Proceedings of the IEEE, Volume 92, NO. 2, February 2004.
- [19]. Helka Määttänen, “MIMO-OFDM”, S-72.333 Postgraduate Course in Radio Communications.
- [20]. Jeffrey G. Andrews, Arunabha Ghosh, Rias Muhamed, “Fundamentals of WIMAX”, Prentice Hall, 2007.
- [21]. 3GPP TS 36.101 V8.4.0 (2008-12), “Evolved Universal Terrestrial Radio Access (E-UTRA); User Equipment (UE) radio transmission and reception”.
- [22]. 3GPP TS 36.104 V8.4.0 (2008-12), “Evolved Universal Terrestrial Radio Access (E-UTRA); Base Station (BS) radio transmission and reception”.

- 
- [23]. 3GPP TS 36.300 V8.7.0 (2008-12), "Evolved Universal Terrestrial Radio Access (E-UTRA) and Evolved Universal Terrestrial Radio Access Network (E-UTRAN); Overall description; Stage 2"
- [24]. 3GPP TR 36.913 V8.0.0 (2008-06), "Requirements for further advancements for E-UTRA (LTE-Advanced)".
- [25]. Hoo-Jin Lee, Shailesh Patil, and Raghu G. Raj, "Fundamental overview and simulation of MIMO systems for Space-Time coding and Spatial Multiplexing", Wireless Networking and Communications Group (WNCG), Dept. of Electrical and Computer Engineering, The University of Texas at Austin, 2003.
- [26]. L.Hanzo, M.Münster, B.J.Choi and T. Keller, "Chapter 17: Uplink Detection Techniques for Multi-User SDMA-OFDM", "OFDM and MC-CDMA for Broadband Multi-user Communications, WLANs and Broadcasting", John Wiley and Sons, Ltd. 2003.
- [27]. Albert van Zelst, "MIMO OFDM for Wireless LANs", PROEFSCHRIFT, April 2004.
- [28]. Na wei, "MIMO Techniques for UTRA Long Term Evolution", Dissertation, September 2007.
- [29]. 3GPP R4-070141, "Radio Propagation Modeling for E-UTRA performance requirement definition", February 2007.
- [30]. Daniel P. Palomar, "Unified Design of Linear Transceivers for MIMO Channels", Ph.D. Dissertation, 2003.
- [31]. David Gesbert, Cornelius van Rensburg, Filippo Tosato and Florian Kaltenberger, "Multiple antenna techniques", chapter 11 of "The UMTS Long Term Evolution: from Theory to Practice", ISBN: 978-0-470-69716-0.
- [32]. David Gesbert, Mansoor Shafi, Da-shan Shiu, Peter J. Smith and Ayman Naguib, "From Theory to Practice: An Overview of MIMO Space-Time Coded Wireless Systems", IEEE Journal on selected areas in communications, Vol. 21, No. 3, April 2003.
- [33]. Andersen, J.B., "Array gain and capacity for known random channels with multiple element arrays at both ends", Selected Areas in Communications, IEEE Journal on Volume 18, Issue 11, Nov 2000 Page(s):2172 – 2178.
- [34]. B. Badic, "Space-Time Block Coding for Multiple Antenna Systems", Dissertation, November 2005.
- [35]. Bertrand Muquet, Ezio Biglieri, Andrea Goldsmith, Hikmet Sari, "An Analysis of MIMO Techniques for Mobile WiMAX Systems", SEQUANS Communications White Paper.
- [36]. Branka Vucetic, Jinhong Yuan, "Performance Limits of Multiple-Input Multiple-Output Wireless Communication Systems", Chapter 1 of Space-Time Coding, 2003 John Wiley & Sons, Ltd.
- [37]. Hedayat, A.; Nosratinia, A.; Al-Dhahir, N., "Linear equalizers for flat Rayleigh MIMO channels", Proceedings. (ICASSP apos;05). IEEE International Conference on Volume 3, Issue , 18-23 March 2005.
- [38]. Enrique Ulfle Whu, "MIMO-OFDM Systems for High Data Rate Wireless Networks", <http://www.stanford.edu/class/ee360/Ahmad/En.pdf>, Stanford University
- [39]. Jean Philippe Kermaol, Laurent Schumacher, Preben Mogensen, "Channel Characterisation", IST-2000-30148 I-METRA D2, AAU, October 2002.
- [40]. Pedersen, K.I.; Andersen, J.B.; Kermaol, J.P.; Mogensen, P., "A stochastic multiple-input-multiple-output radio channel model for evaluation of space-time coding algorithms", Vehicular Technology Conference, 2000. IEEE VTS-Fall VTC 2000. 52nd Volume 2, Issue , 2000 Page(s):893 - 897 vol.2.
- [41]. Jean Philippe Kermaol, "Measurement, Modelling and Performance Evaluation of the MIMO Radio Channel", Thesis, Aalborg University, August 2002.
- [42]. Jean Philippe Kermaol, Laurent Schumacher, Klaus Pedersen, Preben Mogensen and Frank Frederiksen, "A Stochastic MIMO Radio Channel Model With Experimental Validation", IEEE Journal on selected areas in communications, Vol. 20, no. 6, August 2002.
- [43]. Cheng-Xiang Wang,<sup>1</sup> Xuemin Hong,<sup>1</sup> Hanguang Wu,<sup>2</sup> and Wen Xu<sup>2</sup>, "Spatial-Temporal Correlation

- Properties of the 3GPP Spatial Channel Model and the Kronecker MIMO Channel Model", EURASIP Journal on Wireless Communications and Networking (2007).
- [44]. Ozcelik, M.; Cizink, N.; Bonek, E., "What makes a good MIMO channel model?", Inst. für Nachrichtentechnik und Hochfrequenztechnik, Technische Univ. Wien, Vienna, Austria;, Vehicular Technology Conference, 2005. VTC 2005-Spring. 2005 IEEE 61st, June 2005.
- [45]. Ozcelik, H.; Herdin, M.; Weichselberger, W.; Wallace, J.; Bonek, E., "Deficiencies of a Kronecker-based MIMO radio channel model", Electronics Letters Volume 39, Issue 16, 7 Aug. 2003 Page(s): 1209 – 1210.
- [46]. Werner Weichselberger, Markus Herdin, Hüseyin Özcelik, Senior Member, IEEE, and Ernst Bonek, "A Stochastic MIMO Channel Model With Joint Correlation of Both Link Ends", IEEE TRANSACTIONS ON WIRELESS COMMUNICATIONS, VOL. 5, NO. 1, JANUARY 2006.
- [47]. L. Schumacher, L. T. Berger and J. Ramiro-Moreno, "Recent Advances in Propagation Characterisation and Multiple Antenna Processing in the 3GPP Framework", Proceedings of 26th URSI General Assembly, Maastricht, The Netherlands, August 2002.
- [48]. Henrik Asplund, Jonas Medbo, Bo Göransson, Jonas Karlsson, Johan Sköld, "A simplified approach to applying the 3GPP spatial channel model", Ericsson Research, PIMRC'06.
- [49]. Peter-Marc Fortune, Lajos Hanzo and Raymond Steele, "On the computation of 16-QAM and 64-QAM Performance in Rayleigh-Fading Channels", IEICE Trans. Commun. Vol.E75-B, No.6, June 1992.
- [50]. 3GPP TR 25.848 V4.0.0 (2001-03) , "Physical layer aspects of UTRA High Speed Downlink Packet Access (Release 4)", URL: <http://www.3gpp.org>.
- [51]. Alamouti, S.M., "A Simple Transmit Diversity Technique for Wireless Communications", IEEE Journal on Select Areas in Communications, VOL. 16, NO. 8, OCTOBER 1998.
- [52]. Stefan Kaiser, "Space Frequency Block Codes and Code Division Multiplexing in OFDM Systems", German Aerospace Center (DLR), Institute of Communications and Navigation, GLOBECOM 2003.
- [53]. Nikolic-Popovic, J. "Implementing a MAP Decoder for cdma2000 Turbo Codes on a TMS320C62x DSP Device", Texas Instruments Application Report, 2000.
- [54]. IST-2000-25133 ARROWS D08 "UTRA-FDD Simulators".
- [55]. Mark Stambaugh, "HARQ Process Boosts LTE Communications", Agilent Technologies Sep. 2008, <http://mobiledevdesign.com>.
- [56]. R1-061050, "EUTRA FEC Enhancement", Motorola, France Telecom, GET, Orange, 3GPP TSG RAN WG1#44bis, Athens, Greece. 27-31 March 2006.
- [57]. R1-072137, "Turbo rate-matching in LTE", Motorola, 3GPP TSG RAN1 #49, Kobe, Japan, May 07 - 11, 2007.
- [58]. Harada H. and Prasad, R., "Simulation and software Radio for mobile communications (+ CD)", Universal Personal Communications, ISBN: 9781580530446, 2002.
- [59]. Prasad, R., "OFDM for Wireless Communications Systems", Universal Personal Communications, ISBN: 1580537960, 2004.
- [60]. Bertrand Muquet, Ezio Biglieri and Hikmet Sari, "MIMO Link Adaptation in Mobile WiMAX Systems", WCNC 2007 proceedings.
- [61]. Ho Chan, Mounir Hamdi, Chui Ying Cheung and Maode Ma, "A Link Adaptation Algorithm in MIMO-based WiMAX systems", Journal of communications, Vol 2, No. 5, August 2007.
- [62]. M. Surendra Raju, A. Rameshi and A. Chockalingam, "LLR based BER Analysis of Orthogonal STBCs using QAM on Rayleigh Fading Channels", IEEE 2004.
- [63]. Christoph Spiegel, Jens Berkmann, Zijian Bai, Tobias Scholand, Christian Drewes, Guido H. Bruck, Bertram Gunzelmann, Peter Jung, "MIMO Schemes In UTRA LTE, A Comparison", Vehicular Technology Conference, 2008. VTC Spring 2008. IEEE, 11-14 May 2008.



- [64]. Spiegel, C. Berkmann, J. Zijian Bai Scholand, T. Drewes, C. Bruck, G.H. Gunzelmann, B. Jung, P., "On MIMO for UTRA LTE", Communications, Control and Signal Processing, 2008. ISCCSP 2008. 12-14 March 2008-
- [65]. Zijian Bai, Jens Berkmann, Christoph Spiegel, Tobias Scholand, Guido H. Bruck, Christian Drewes, Bertram Gunzelmann, Peter Jung, "On MIMO With Successive Interference Cancellation Applied to UTRA LTE", ISCCSP 2008, Malta, 12-14 March 2008.
- [66]. R1-050903, "Description and link simulations of MIMO schemes for OFDMA based E-UTRA downlink evaluation", QUALCOMM Europe, 3GPP TSG-RAN WG1 #42, August 29th – September 2nd 2005, London, United Kingdom.
- [67]. Helka-Liina Määttänen and Olav Tirkkonen and Klaus Hugel, "Orthogonalizing Transmission in MIMO with Linear Receiver and Finite MCS Set", WCNC 2008.
- [68]. Na Wei, Akhilesh Pokhariyal, Christian Rom(, Basuki E. Priyanto, Frank Frederiksen, Claudio Rosa, Troels B. Sørensen, Troels E. Kolding, Preben E. Mogensen, "Baseline E-UTRA Downlink Spectral Efficiency Evaluation", Vehicular Technology Conference, 2006. VTC-2006 Fall. 2006.
- [69]. Mogensen, P. Wei Na Kovacs, I.Z. Frederiksen, F. Pokhariyal, A. Pedersen, K.I. Kolding, T. Hugel, K. Kuusela, M., "LTE Capacity compared to the Shannon Bound", Vehicular Technology Conference, 2007. VTC2007-Spring. IEEE.
- [70]. Mai Tran, Angela Doufexi and Andrew Nix, "Mobile WiMAX MIMO Performance Analysis: Downlink and Uplink", PIMRC. 2008.

# Appendix

## Appendix 1. E-UTRA DL Link Level Performance Results

### A1.1. E-UTRA DL Link Level Throughput

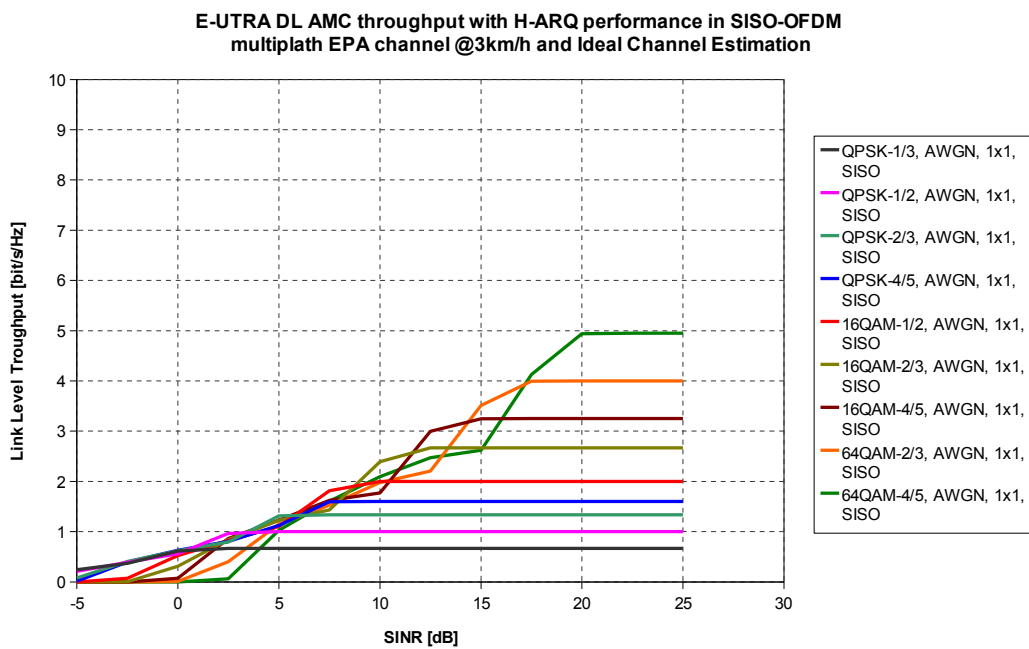


Figure A.1: E-UTRA DL AMC link level throughput with H-ARQ in AWGN SISO channel (8 turbo decoding iterations. Code block size: 40-120 bits).

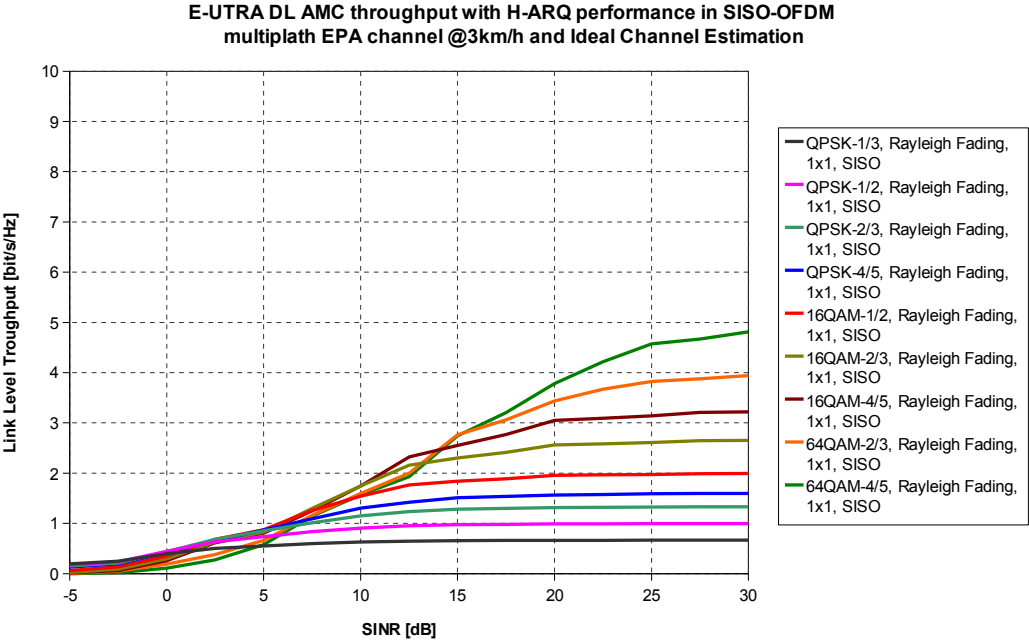


Figure A.2: E-UTRA DL AMC link level throughput with H-ARQ in Rayleigh Fading SISO channel (8 turbo decoding iterations. Code block size: 40-120 bits).

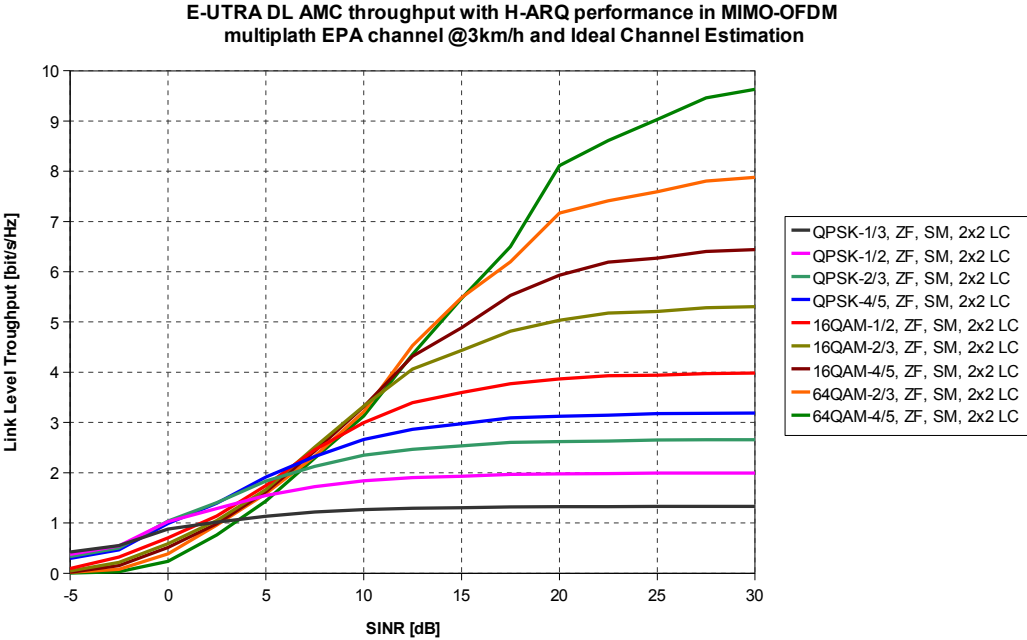


Figure A.3: E-UTRA DL AMC link level throughput with H-ARQ in 2 x 2 Low Correlated MIMO channel and ZF Detector (8 turbo decoding iterations. Code block size: 40-120 bits).

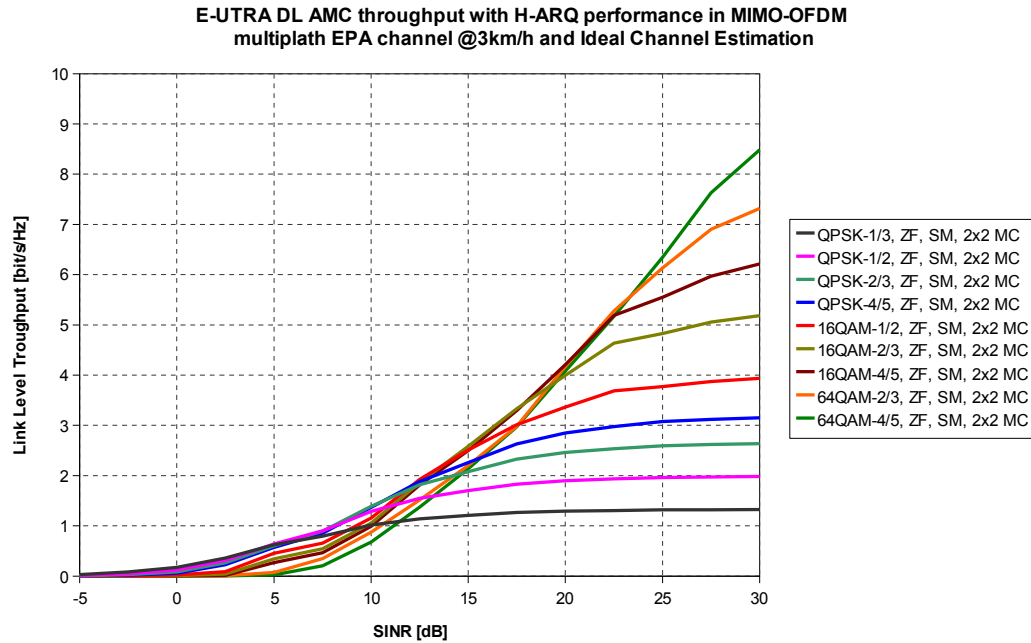


Figure A.4: E-UTRA DL AMC link level throughput with H-ARQ in 2 x 2 Medium Correlated MIMO channel and ZF Detector (8 turbo decoding iterations. Code block size: 40-120 bits).

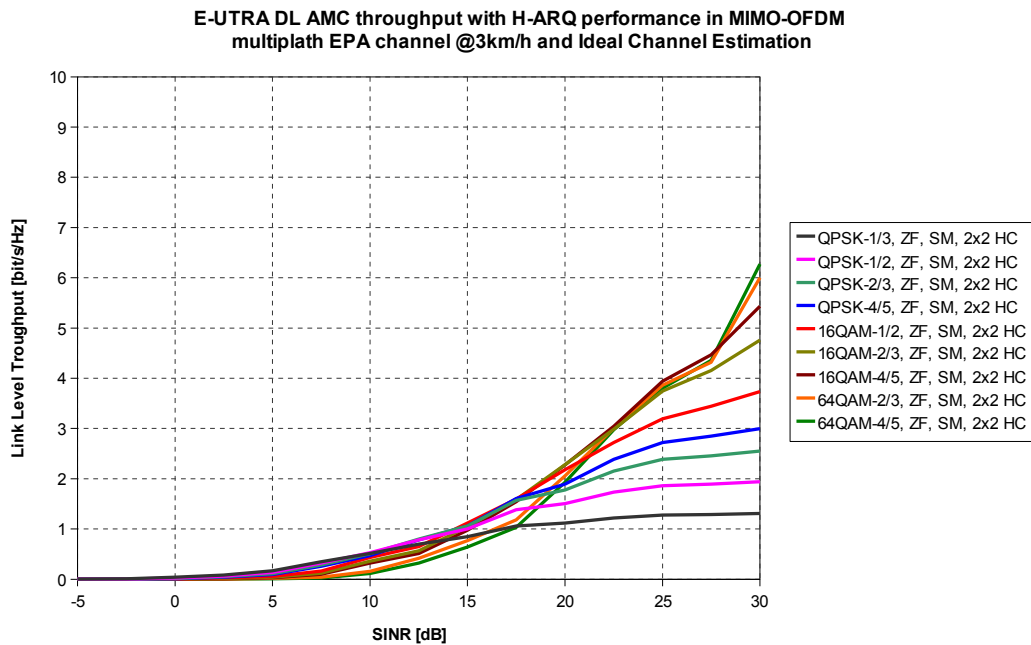


Figure A.5: E-UTRA DL AMC link level throughput with H-ARQ in 2 x 2 High Correlated MIMO channel and ZF Detector (8 turbo decoding iterations. Code block size: 40-120 bits).

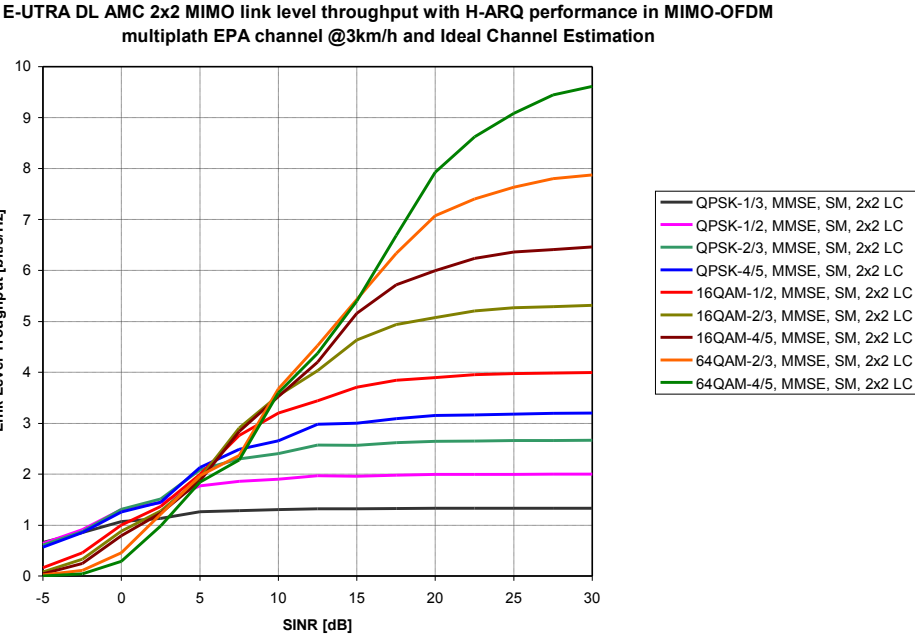


Figure A.6: E-UTRA DL AMC link level throughput with H-ARQ in 2 x 2 Low Correlated MIMO channel and MMSE Detector (8 turbo decoding iterations. Code block size: 40-120 bits).

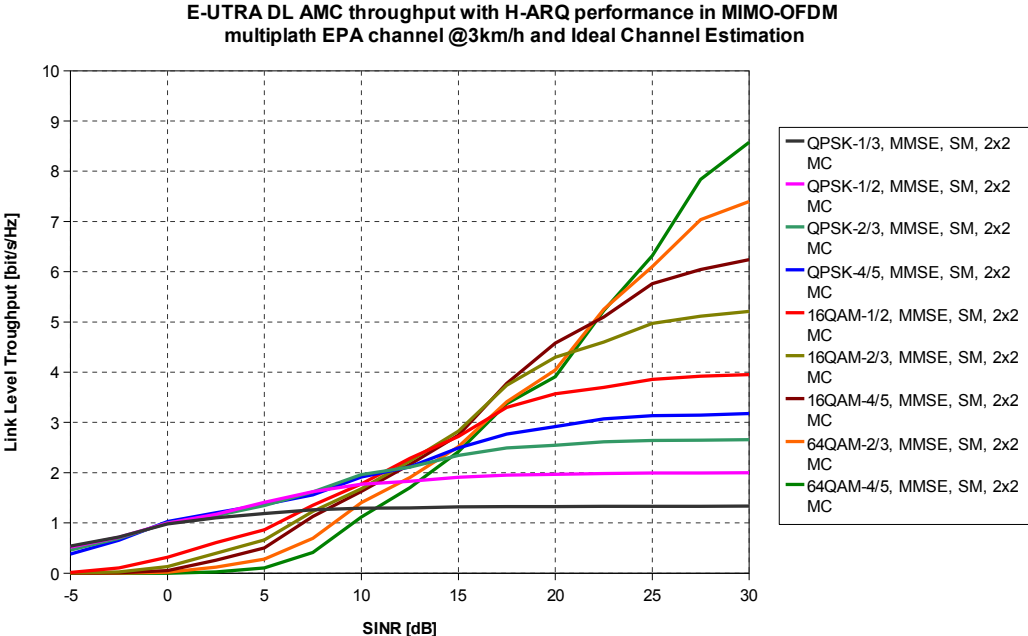


Figure A.7: E-UTRA DL AMC link level throughput with H-ARQ in 2 x 2 Medium Correlated MIMO channel and MMSE Detector (8 turbo decoding iterations. Code block size: 40-120 bits).

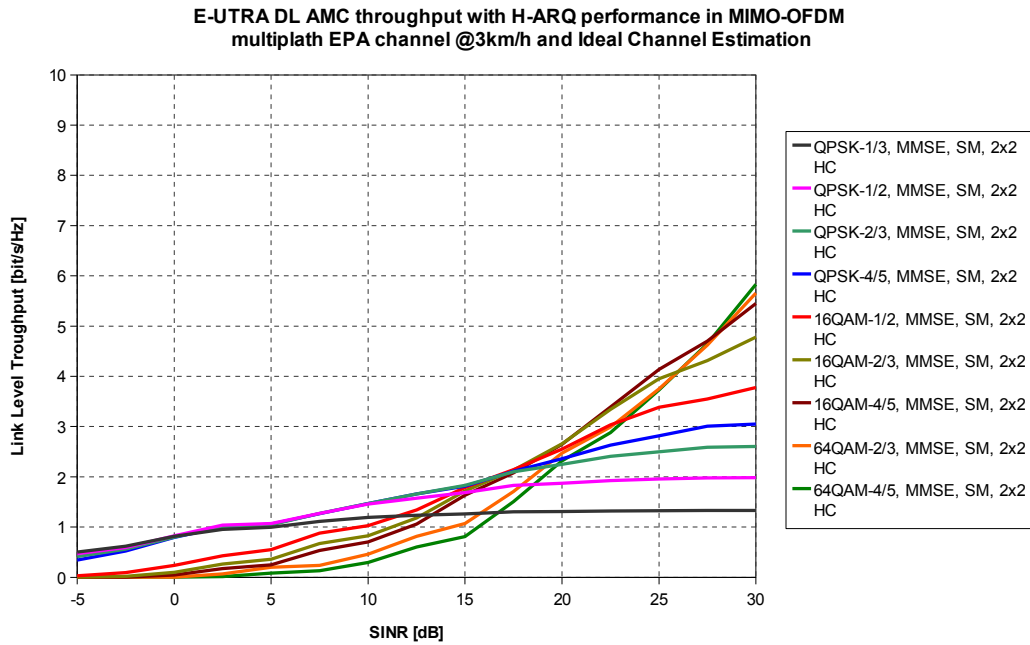


Figure A.8: E-UTRA DL AMC link level throughput with H-ARQ in 2 x 2 High Correlated MIMO channel and MMSE Detector (8 turbo decoding iterations. Code block size: 40-120 bits).

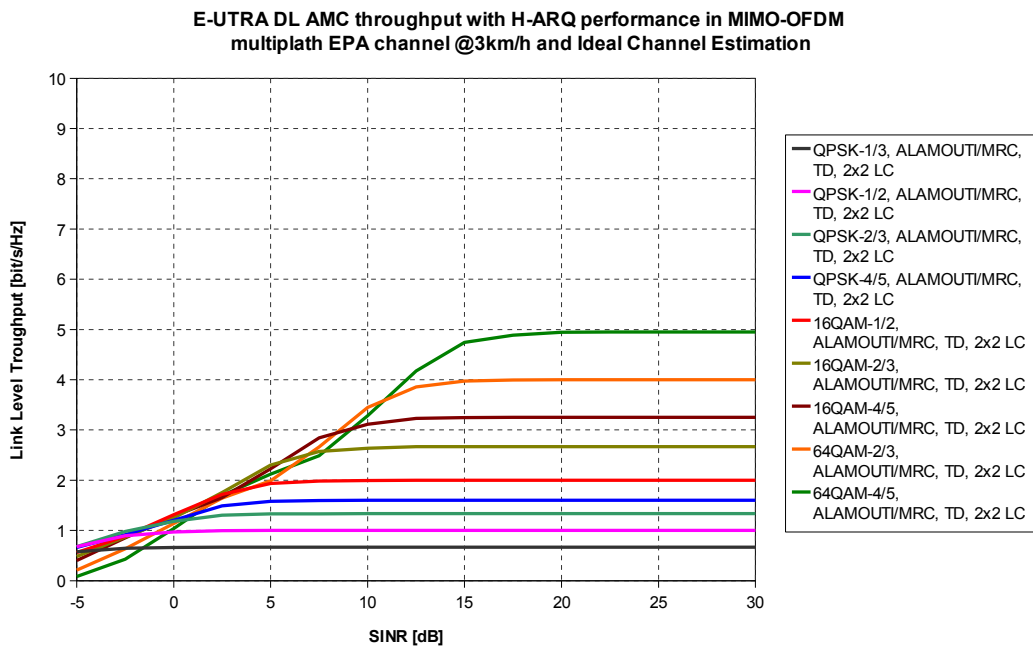


Figure A.9: E-UTRA DL AMC link level throughput with H-ARQ in 2 x 2 Low Correlated MIMO channel and Transmit Diversity Alamouti/MRC (8 turbo decoding iterations. Code block size: 40-120 bits).

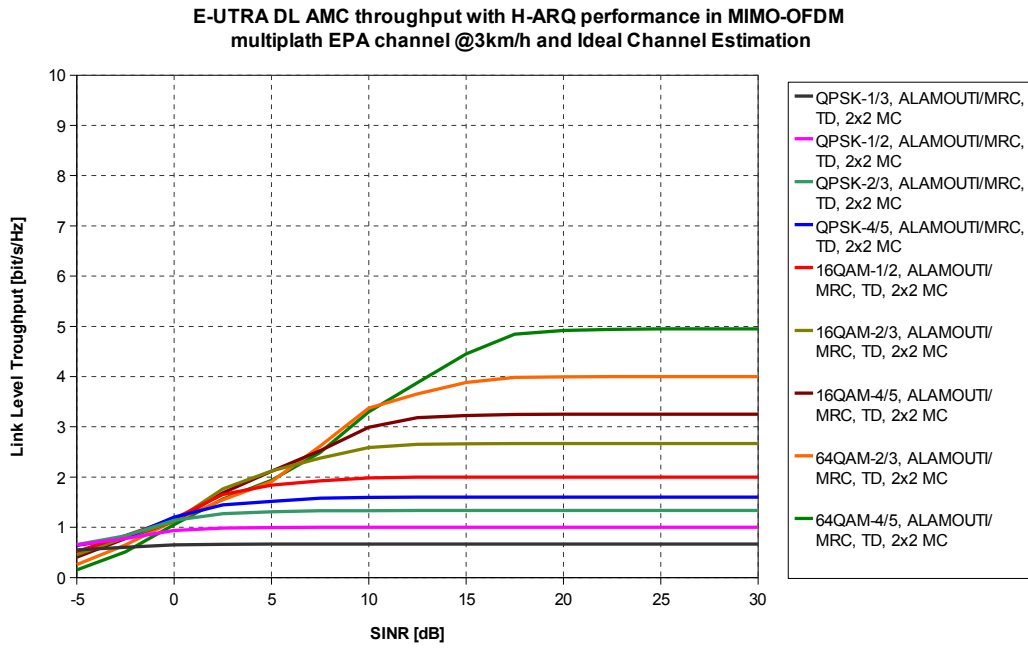


Figure A.10: E-UTRA DL AMC link level throughput with H-ARQ in 2 x 2 Medium Correlated MIMO channel and Transmit Diversity Alamouti/MRC (8 turbo decoding iterations. Code block size: 40-120 bits).

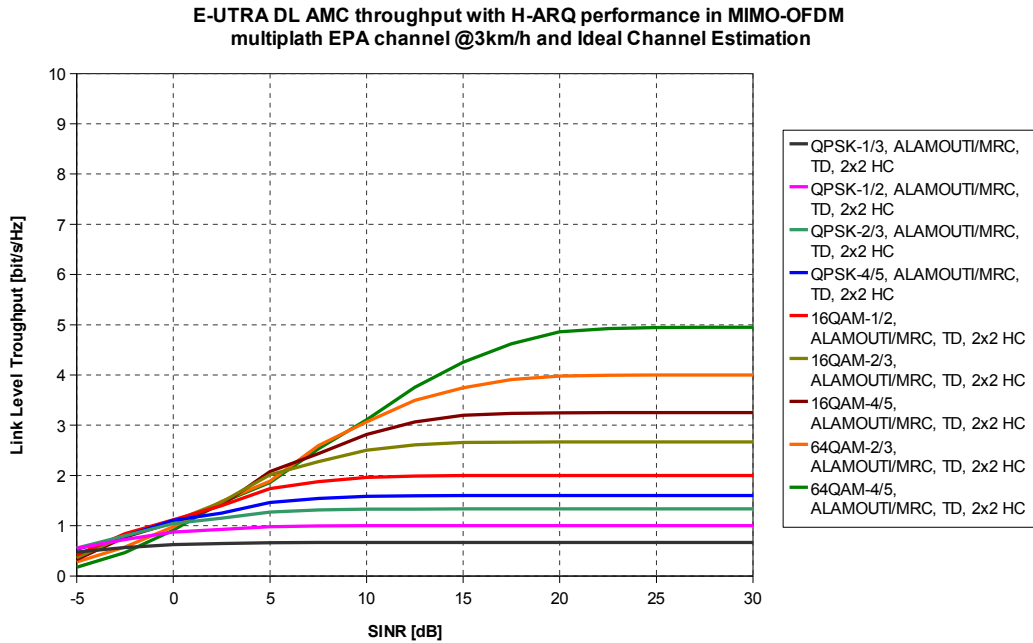


Figure A.11: E-UTRA DL AMC link level throughput with H-ARQ in 2 x 2 High Correlated MIMO channel and Transmit Diversity Alamouti/MRC (8 turbo decoding iterations. Code block size: 40-120 bits).