

A Novel Low Temperature Coefficient Band-gap Reference without Resistors

Yujiao Zhao, Suge Yue, Qiang Bian

Abstract—This paper describes a new band-gap reference (BGR) without resistors that can be fabricated in a 0.35μm digital CMOS technology. The proposed circuit uses differential amplifier to reduce the current mirror errors dependent on the supply voltage and temperature, so as to produce a temperature insensitive gain applied to the proportional to absolute temperature (PTAT) term in the reference. The simulation results with Spice indicate that the proposed BGR circuit has a higher power supply rejection ratio (PSRR) and low temperature coefficient (TC). The fluctuation of the output reference voltage is less than 9 mV when the power voltage changes from 2.4V to 5.0V and the output voltage of the new circuit has a maximum variation of ± 5.5 mV in larger range from -25 to 125°C.

Index Terms—BGR without resistors, differential amplifier, digital process, self-biased circuit, PTAT voltage.

I. INTRODUCTION

Reference voltage generators with low sensitivity to the temperature and supply are commonly required both in analog and digital circuits, such as data-conversion systems, voltage regulators and memories, because of its good temperature stability and insensitivity to supply voltage. The basic idea of BGR in CMOS technology is to add a PTAT voltage to emitter-base voltage (V_{BE}) of a parasitic pnp transistor. In order to generate a quantity V_{ref} that remains constant with temperature, the circuit should implement two voltages that have positive and negative temperature coefficients. Then add them with proper weighting [1], as shown in Fig.1.

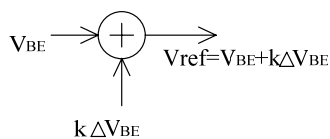


Figure 1 The principle of BGR

The V_{BE} of bipolar transistors or, more generally, the forward voltage of a p-n junction diode exhibits a negative TC. While the difference between V_{BE} of two bipolar transistors operate at unequal current densities (ΔV_{BE}) is directly proportional to the absolute temperature.

In conventional BGR circuit, the output voltage is usually achieved by adjusting the ratio of resistors. However, in a

standard digital CMOS process, the presence of resistors is a drawback for some applications. As we know the resistivity is not guaranteed by some foundries and can vary with the process. Also, in a digital process, the area of such resistors is increased because silicide is often used to reduce the sheet resistance of the poly-silicon and diffusion layers. The BGR described in [2] gave a good solution to the above problems: a band-gap reference without resistors. This solution eliminates the need for resistor models. But as we can see, the PSRR of the circuit isn't very high and the output voltage has a greater variation with temperature. On the other hand, in order to reduce the effect of channel length modulation, all the transistors have long channel length that increases the area evidently.

In this paper, a new BGR circuit without resistors is proposed. We improve the power supply rejection and eliminate the TC by using differential amplifier which reduces the current mirror errors due to the variation of the supply voltage and temperature. The BGR described uses MOS transistors only biased in saturation or cutoff, for which accurate device models are usually available, simplifying the design process, especially in digital CMOS technologies.

II. PRINCIPLE OF BAND-GAP REFERENCE CIRCUIT WITHOUT RESISTORS

The core circuit shown in Fig.2 allows integrating a BGR without using resistors [3].

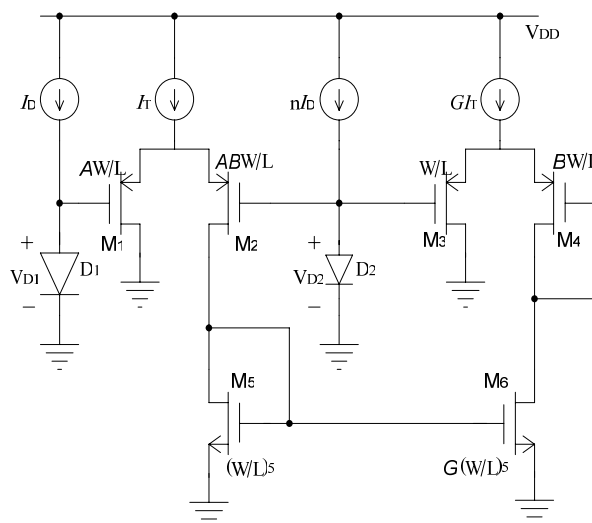


Figure 2 Schematic of the core of the resistorless band-gap reference

As shown in Fig.1.

$$V_{ref} = V_{BE} + k\Delta V_{BE} \quad (1)$$

Manuscript received September 6, 2007.
 Yujiao Zhao, Suge Yue and Qiang Bian,
 Beijing Microelectronics Technology Institute, Beijing, 100076, China.
 E-Mail: zhyj200509@sina.com

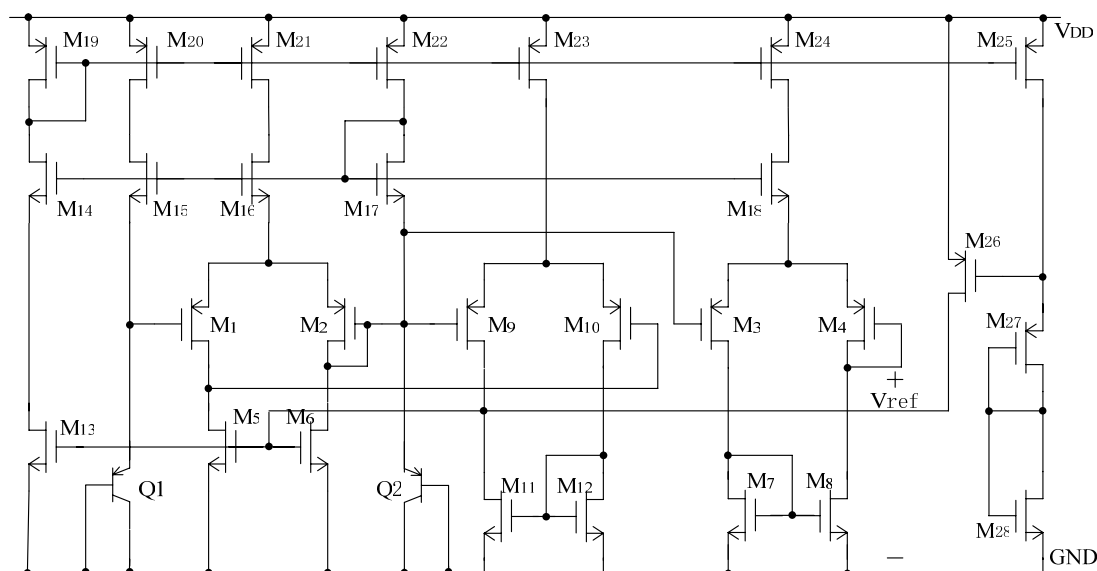


Figure 5 Complete circuit of the proposed BGR

B. Proposed BGR Circuit

The technique employs amplifier (composed of $M_9 \sim M_{12}$, shown in Fig.4) to force V_{DS} of M_5 and M_6 to be equal. The feedback loop is the key of the proposed circuit. When temperature changes, the voltage of M_9 gate equaling to V_{BE2} also changes. The changing of the output voltage of amplifier will vary the bias current to minus the variation of V_{BE} of the two pnp parasitic transistor. From equation (7), by connecting similar configuration to the gate of M_2 , we can obtain the voltage reference. The implementation circuit is shown in Fig.5. In order to improve the precision and PSRR of the reference farther, a cascade current mirror is introduced to the final reference circuit. The emitter area of Q_1 is 32 times bigger than the emitter area of Q_2 and the width of M_2 is 2 times bigger than the width of M_1 . M_3 and M_4 have same sizes with M_1 and M_2 , while M_{18} and M_{24} have larger W/L as 15 times as M_{16} and M_{21} , so currents through M_3 and M_4 are enlarged by 15 times. The amplifier eliminates the effects of channel-length modulation and body effect, so all NMOS of this circuit could have minimum length, the area of the circuit obviously. In this way, adding the two voltages that have positive and negative temperature coefficients with, V_{ref} is generated with zero TC at chosen temperature (this paper, the temperature is 75°C).

C. Start-up Circuitry

To ensure that the BGR circuit works in the correct state, a start-up circuit must be added [4]. The startup circuit is formed by $M_{25} \sim M_{28}$ (see Fig.5). When the circuit operates, the gate voltage of M_{26} is pulled low, and this turns on M_{26} . So the gate voltage of M_{13} is pulled high, and this turns on M_{19} . Because of the current mirror, $M_{14} \sim M_{25}$ are all turned on and inject current to the amplifier. M_{25} is turned on, so the gate voltage of M_{26} is pulled high, transistor M_{26} is turned off. The start-up circuit is cut off, when the reference circuit works normally.

IV. SIMULATION RESULTS

The performances of the proposed band-gap reference are verified through Spice simulation with a $0.35\text{-}\mu\text{m}$ CMOS process model.

With a supply voltage 3.3 V and temperature from the range of -25 to 125°C , the simulated output voltage of the proposed BGR as a function of temperature is shown in Fig. 6. The output voltage has a maximum variation of ± 5.5 mV from the mean output voltage of 1.124V.

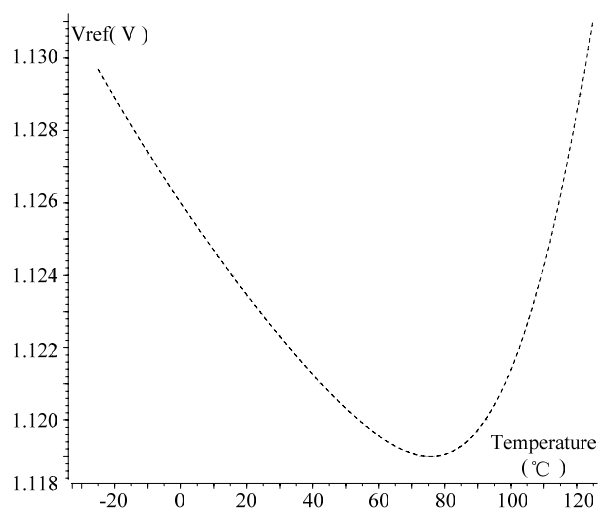


Figure 6 Output voltage of band-gap reference as a function of temperature with supply voltage to be 3.3 V

The simulated output voltage of the proposed circuit as a function of supply voltage is shown in Fig. 7. The fluctuation of the output reference voltage is about 9 mV when the power voltage changes from 2.4V to 5V. The simulated PSRR is shown in Fig. 8 to check the behavior of the output voltage with variation of frequency. The PSRR for frequencies below 1 KHz is -49.2 dB and increases to about -28dB at 1 MHz.

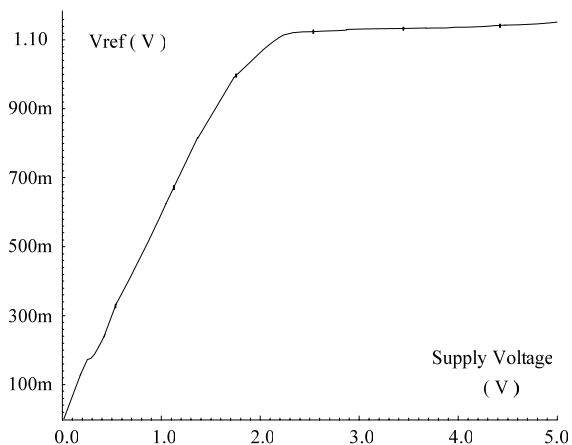


Figure 7 Output voltage of the band-gap reference as a function of the supply voltage at room temperature

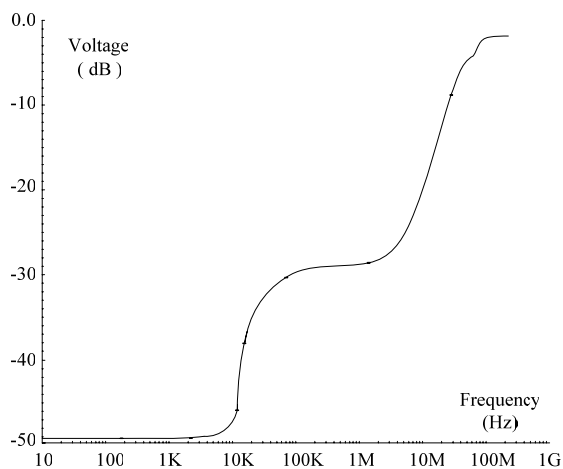


Figure 8 PSRR of the band-gap reference

The comparison in Tabel.1 shows the proposed circuit (the simulation result is noted with *) achieves better TC with extending temperature operating range and good line regulation.

Comparison of Simulation Results of BGR without Resistors

Process	0.5CMOS[2]	0.25CMOS[5]	0.35SOI[6]	0.13CMOS[7]	0.35CMOS*
Min. V _{DD}	3.7	2.2	2.5	0.8	2.4
Tempco(ppm/°C)	120	179	39	180	65
PSRR(dB)	-45.1	---	---	-52	-49.2
Temperature range(°C)	0~70	-10~80	10~125	-10~80	-25~125

Table 1

V. CONCLUSION

A novel voltage band-gap reference circuit without resistors has been proposed in this paper and simulated with 0.35- μ m CMOS process. The differential amplifier is applied to forming self-biased circuit which can provide more accurate bias current for the whole BGR circuit. The simulation results indicate that the applying of amplifier improves PSRR and reduces TC effectively. In addition, because of amplifier, all NMOS of this circuit could have minimum length, which decreases area of the circuit obviously.

REFERENCES

- [1] B.Razavi, McGraw- Hill, " Design of Analog CMOS Integrated Circuits", 2001. pp. 377-392.
- [2] A.Buck, C. Mc Donald, S. Lewis, T.R. Viswanathan, "A CMOS bandgap reference without resistors",in Journal of Solid State Circuits, vol. 37, no. 1 January 2002.
- [3] A. Buck, C. McDonald, S. Lewis, and T. R. Viswanathan, "A CMOS bandgap reference without resistors," in IEEE Int. Solid-State Circuits Conf. Dig. Tech. Papers, Feb. 2000, pp. 442-443.
- [4] Ka Nang Leung and Philip K. T. Mok, "A CMOS Voltage Reference Based on Weighted Difference of Gate-Source Voltages between PMOS and NMOS Transistors for Low Dropout Regulators", Solid-State Circuits Conference, Sept. 2001
- [5] Cheng Jianping,Zhu Zhuoya, Wei Tongli, "A resistorless CMOS bandgap reference with below 1V output" , Journal of Southeast University, vol.19, no. 4 December 2003.
- [6] Ahmet Tekin , Ertan Zencir, *et al*, "A Bias Circuit Based on Resistorless Bandgap Reference in 0.35- μ m SOI CMOS", vol.1, 149-152, Dec. 2003,IEEE
- [7] Christian Falconi, Giuseppe Scotti, "Low Voltage CMOS Current and Voltage References without Resistors", May 2007, IEEE, pp.1907-1910.