

 Open access • Proceedings Article • DOI:10.1109/ISSCC.2009.4977392

## A software-defined radio receiver architecture robust to out-of-band interference

— [Source link](#) 

Zhiyu Ru, Eric A.M. Klumperink, G.J.M. Wienk, Bram Nauta





**Institutions:** University of Twente

**Published on:** 29 May 2009 - International Solid-State Circuits Conference

**Topics:** Blocking (radio), Intermodulation, Interference (communication), Software-defined radio and Baseband

Related papers:

- [A 1.75 GHz highly-integrated narrow-band CMOS transmitter with harmonic-rejection mixers](#)
- [An 800-MHz–6-GHz Software-Defined Wireless Receiver in 90-nm CMOS](#)
- [A Passive Mixer-First Receiver With Digitally Controlled and Widely Tunable RF Interface](#)
- [Digitally Enhanced Software-Defined Radio Receiver Robust to Out-of-Band Interference](#)
- [A 400-to-900 MHz receiver with dual-domain harmonic rejection exploiting adaptive interference cancellation](#)

Share this paper:    

View more about this paper here: <https://typeset.io/papers/a-software-defined-radio-receiver-architecture-robust-to-out-17pvr5nw45>

## 12.8 A Software-Defined Radio Receiver Architecture Robust to Out-of-Band Interference

Z. Ru, E. A. M. Klumperink, G. J. M. Wienk, B. Nauta

University of Twente, Enschede, Netherlands

In a software-defined radio (SDR) receiver it is desirable to minimize RF band-filtering for flexibility, size and cost reasons, but this leads to increased out-of-band interference (OBI). Besides harmonic and intermodulation distortion (HD/IMD), OBI can also lead to blocking and harmonic mixing. A wideband LNA [1, 2] amplifies signal and interference with equal gain. Even a low gain of 6dB can clip 0dBm OBI to a 1.2V supply, blocking the receiver. Hard-switching mixers not only translate the wanted signal to baseband but also the interference around LO harmonics. Harmonic rejection (HR) mixers have been used [3, 1, 4], but are sensitive to phase and gain mismatch. Indeed the HR in [4] shows a large spread, whereas other work only shows results from one chip [3, 1]. This paper describes techniques to relax blocking and HD/IMD, and make HR robust to mismatch.

The zero-IF architecture described targets the 0.4-to-6GHz band, where most mobile applications reside. The baseband can be shared if the low-pass filter (LPF) is made flexible. As shown in Fig. 12.8.1 (bottom), only two external filters for 0.4 to 2.5GHz and 2.5 to 6GHz are used. The 0.9 to 6GHz signals are down-converted by the lower quadrature mixer using a 4-phase LO, while the 0.4-to-0.9GHz signal needs an HR-mixer with 8-phase LO to reject 2<sup>nd</sup>-to-6<sup>th</sup> harmonics (0.4GHz-7 and 0.9GHz-3 out of filter band). With only one 0.4-to-6GHz band filter, an 8-phase LO up to 2GHz would be needed, leading to high power consumption and low phase accuracy. This work focuses on a 0.4-to-0.9GHz receiver to demonstrate techniques to counter OBI.

Figure 12.8.1 (top) shows the implemented receiver, consisting of low-noise transconductance amplifiers (LNTA) with input matching added, mixers driven by a divide-by-8 and two cascaded IF-amplifier stages with LPF. Three LNTAs have a gain ratio of 2:3:2 to approximate 1: $\sqrt{2}$ :1 for HR. The LNTA delivers current to the switching mixers. The voltage amplification only occurs after mixing to IF simultaneously with a first-order RC LPF to suppress OBI. However, such a filter cannot remove OBI already folded over the wanted signal due to harmonic mixing. Since harmonics can be as strong as blockers, HR is wanted before the first voltage amplification. The mixers driven by 8-phase clocks provide 2<sup>nd</sup>-to-6<sup>th</sup>-order HR.

To reject 3<sup>rd</sup> and 5<sup>th</sup> harmonics we can employ gain factors 1: $\sqrt{2}$ :1 and 45° phase shift [3]. Traditionally zero-IF HR mixers deliver quadrature outputs. Instead, we use a 2-stage polyphase HR idea exploiting 8-phase mixer outputs (Fig. 12.8.1). The 2<sup>nd</sup>-stage HR employs a gain-ratio of 5:7:5 (via resistor ratios 7:5:7), and the 45° phase shift comes from the 8-phase baseband signal. The 2-stage HR provides two benefits: a) it uses integer ratios which can be realized accurately on chip to approximate  $\sqrt{2}$  closely; b) it reduces the total gain error, e.g. due to mismatch or parasitics, to a product of gain errors (1% becomes 0.01%). Figure 12.8.2 (top) shows a calculation of how  $\sqrt{2}$  is approximated to 0.03% error as 41:29 by simple integer 2:3:2 and 5:7:5 ratios. This 41:29 ratio in the effective LO amplitude is constructed via three signal paths, each with a weighing factor of stage 1 (time-dependent factor 0, 2 or 3 in the array) and stage 2 (constant 5 or 7). Figure 12.8.2 (bottom) shows how, for the desired signal, polyphase contributions from three paths add up, while for the 3<sup>rd</sup> and 5<sup>th</sup> harmonics, they cancel nominally. As two stages are cascaded, the product of the gains determines the result. *This means that the total relative error ( $\alpha\beta/4$ ) is the product of the relative errors (1<sup>st</sup> stage:  $\alpha/2$ , 2<sup>nd</sup> stage:  $\beta/2$ ).* If the 2<sup>nd</sup> stage has 1% error ( $\beta$ ), ideally this improves HR by  $(\beta/2)^{-1}$ , i.e. 46dB.

With such a large reduction of gain errors, phase errors are likely to dominate. We use a power-efficient divider with minimum phase-error accumulation. The divide-by-8 is a loop with eight dynamic transmission gate (TG) flip-flops (FF), one of which is shown in Fig. 12.8.3 (top). The same master clock (CLK), with 8-times the LO-frequency, clocks all FFs. Only one inverter (INV2) is used as a buffer to minimize the path from CLK to mixer, to minimize phase mismatch. A preset data pattern is required to deliver the wanted 1/8 duty cycle. The simulated  $3\sigma$  phase error is only 0.34° at 0.8GHz LO including contributions from mixer switches.

Figure 12.8.3 (bottom) shows the LNTA. M1 provides input matching while the input is also connected to the AC-coupled inverter (M2, M3). The source of M1 is biased to GND via an external inductor. Since the LNTA outputs see a low TIA input impedance, the output swing is small and the output distortion is low. The distortion caused by in-band interference is suppressed by the negative feedback (Fig. 12.8.1). The loop gain degrades at high frequency, but the LPF suppresses OBI, improving out-of-band linearity. Out-of-band HD/IMD is then dominated by the V-to-I function of the LNTA. The TIA is based on a two-stage OTA with a Class-AB output for high swing [5]. A receiver with LNTA and TIA combination has been presented in [6], however using a narrowband LNTA and no HR. To the authors' knowledge this work proposes the first wideband receiver exploiting the baseband LPF to suppress OBI. In [7], a feedforward path, using mixers and first-order high-pass filter, cancels OBI at the LNA output, but significantly degrades noise.

The chip occupies a total area of 1mm<sup>2</sup> (excluding pads) in 65nm CMOS (Fig. 12.8.7). Capacitors take a large portion of area in the TIA, and also the OTA input pair is big to achieve a low 1/f noise corner (measured at 30kHz). To prove the receiver is robust to OBI, all measurements are performed on PCB without external filter. Figure 12.8.4 (top) shows the measured gain, NF and in-band IIP2/IIP3. The NF degrades at 0.4GHz due to 1/f noise of the LNTA since minimum-length transistors are used for wideband low  $S_{11}$  to show valid HR at high frequency (measured  $S_{11} < -10$ dB up to 5.5GHz). The frequency range (<1GHz) is limited by clock speed, but the signal path has >5GHz BW (simulation). Figure 12.8.4 (bottom) shows signal gain versus blocker power. The measurement was carried out to imitate DVB-H signals (470MHz and 862MHz) with a GSM blocker at 935MHz. The signal gain is reduced by 1dB at a blocker power of -5dBm (470MHz) and -12dBm (862MHz) respectively, well above the measured 1dB compression point of -22dBm, showing that the blocker filtering is effective. Smaller LPF BW or higher filter order can provide more filtering.

Figure 12.8.5 (top) plots the HR ratio (HRR) from 1-stage only as well as the total 2-stage HR of a typical sample. A dramatic improvement of 30dB for both 3<sup>rd</sup> and 5<sup>th</sup> HR is found, thanks to the 2-stage HR technique. In general, the improvement is in the range of 20 to 40dB for all samples. Figure 12.8.5 (bottom) shows the 2-stage HRR of 40 randomly-selected samples measured at 0.8GHz LO. The minimum 3<sup>rd</sup> HRR is 60dB and 5<sup>th</sup> HRR is 64dB. All even-order HRR are >60dB. Without extra RF filtering, the 3<sup>rd</sup> and 5<sup>th</sup> HRR in the literature are around 40dB [1, 4]. This work achieves a minimum of 60dB without any trimming or calibration. Figure 12.8.6 summarizes the measured parameters. The +18dBm out-of-band IIP3 shows the good linearity of the LNTA.

### Acknowledgements:

The work is funded by Freeband. We thank H. Bekkelmans, D. Leenaerts, H. de Vries, and NXP for chip fabrication.

### References:

- [1] R. Bagheri, A. Mirzaei, S. Chehrazi et al, "An 800MHz-to-5GHz Software-Defined Radio Receiver in 90nm CMOS", *ISSCC Dig. Tech. Papers*, pp. 480-481, Feb. 2006.
- [2] J. Craninckx, M. Liu, D. Hauspie et al, "A Fully Reconfigurable Software-Defined Radio Transceiver in 0.13 $\mu$ m CMOS", *ISSCC Dig. Tech. Papers*, pp. 346-347, Feb. 2007.
- [3] J. Weldon, J. Rudell, L. Lin et al, "A 1.75GHz Highly Integrated Narrowband CMOS Transmitter with Harmonic-Rejection Mixers", *ISSCC Dig. Tech. Papers*, pp. 160-161, Feb. 2001.
- [4] Z. Ru, E. Klumperink and B. Nauta, "A Discrete-Time Mixing Receiver Architecture with Wideband Harmonic Rejection", *ISSCC Dig. Tech. Papers*, pp. 322-323, Feb. 2008.
- [5] S. Rabii and B. Wooley, "A 1.8V Digital-Audio  $\Delta\Sigma$  Modulator in 0.8 $\mu$ m CMOS", *IEEE J. Solid-State Circuits*, vol. 32, no. 6, pp. 783-796, June 1997.
- [6] M. Valla, G. Montagna, R. Castello et al, "A 72mW CMOS 802.11a Direct-Conversion Front-End with 3.5dB NF and 200kHz 1/f Noise Corner", *IEEE J. Solid-State Circuits*, vol. 40, no. 4, pp. 970-977, April 2005.
- [7] H. Darabi, "A Blocker Filtering Technique for Wireless Receivers", *ISSCC Dig. Tech. Papers*, pp. 84-85, Feb. 2007.

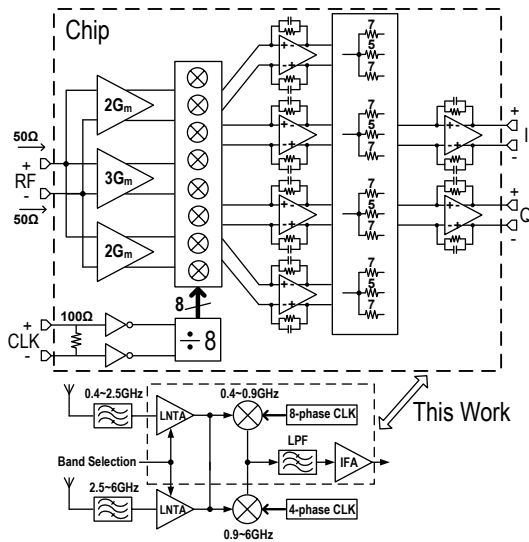


Figure 12.8.1: Architecture of the interference-robust software-defined radio receiver.

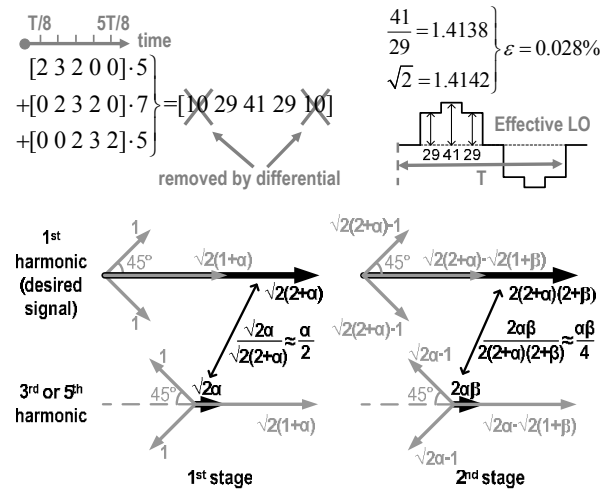


Figure 12.8.2: Principle of the 2-stage polyphase harmonic rejection. ( $\alpha$  and  $\beta$  are errors in  $\sqrt{2}$  of the 1<sup>st</sup> and 2<sup>nd</sup> stages respectively, but it also works for errors in 1:1 mismatch.)

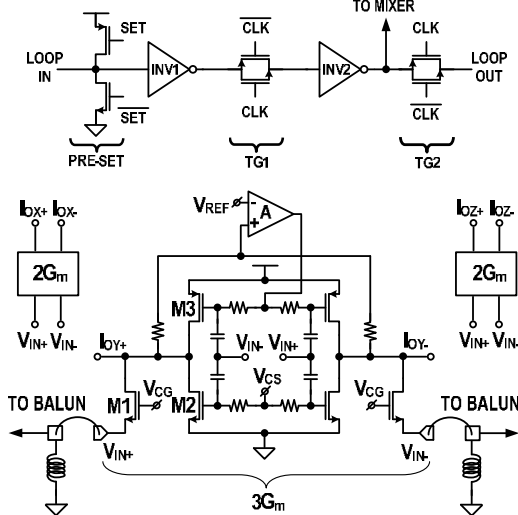


Figure 12.8.3: Dynamic transmission-gate flip-flop (top) and low-noise transconductance amplifier (bottom).

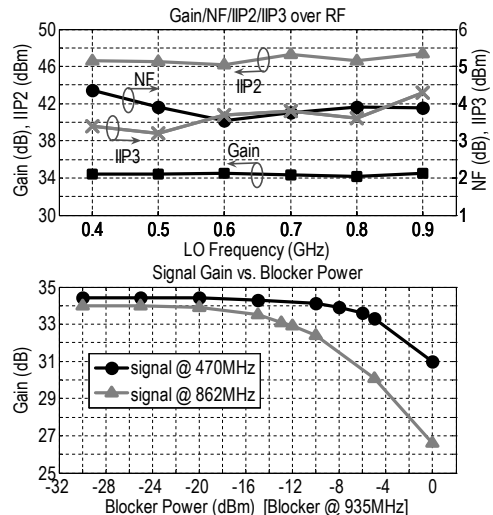


Figure 12.8.4: Measured gain, NF, in-band IIP2/IIP3 over RF (top); measured signal gain vs. blocker power (bottom).

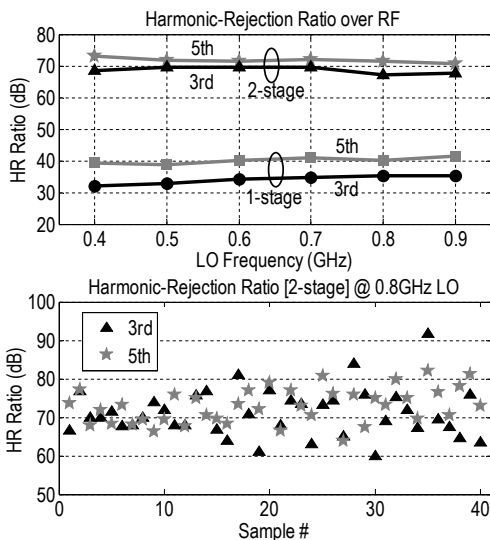


Figure 12.8.5: Measured harmonic-rejection (HR) ratio.

Frequency	0.4~0.9GHz	VDD	1.2V
$S_{11} < -10\text{dB}$	80M~5.5GHz	Current Consumption	Analog: 33mA Digital (clock): 8mA @ 0.4GHz 17mA @ 0.9GHz
Gain	$34.4 \pm 0.2\text{dB}$	Harmonic Rejection Ratio (40 samples) @ 0.8GHz LO	
DSB NF	4dB		
In/Out-of-band IIP3 <sup>1</sup>	+3.5dBm / +18dBm	3 <sup>rd</sup> -order	> 60dB
In/Out-of-band IIP2 <sup>2</sup>	+47dBm / +51dBm	5 <sup>th</sup> -order	> 64dB
$P_{1\text{dB}}$	-22dBm		
1/f noise	30kHz corner		
IF BW	12MHz		

<sup>1</sup> Out-of-band IIP3 scenario: 1.61G & 2.40GHz  
<sup>2</sup> Out-of-band IIP2 scenario: 1.80G & 2.40GHz

Figure 12.8.6: Summary of measured key parameters.

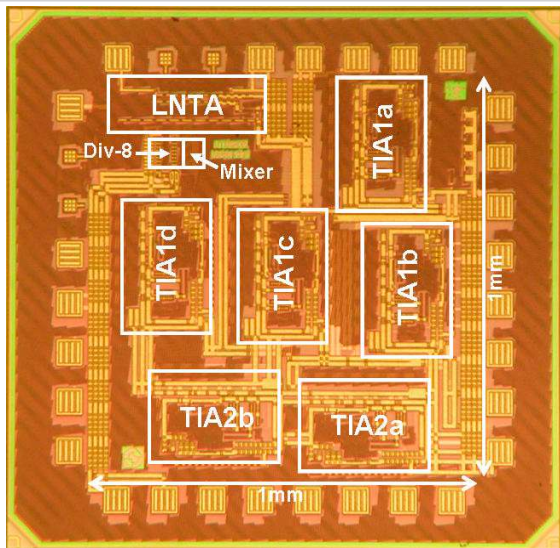


Figure 12.8.7: Micrograph of the chip fabricated in a 65nm baseline CMOS.