



## All-optical flip-flop operation based on asymmetric active-multimode interferometer bi-stable laser diodes

Jiang, H.; Chaen, Y.; Hagio, T.; Tsuruda, K.; Jizodo, M.; Matsuo, S.; Xu, Jing; Peucheret, Christophe; Hamamoto, K.

*Published in:*  
Optics Express

*Link to article, DOI:*  
[10.1364/OE.19.00B119](https://doi.org/10.1364/OE.19.00B119)

*Publication date:*  
2011

*Document Version*  
Publisher's PDF, also known as Version of record

[Link back to DTU Orbit](#)

### *Citation (APA):*

Jiang, H., Chaen, Y., Hagio, T., Tsuruda, K., Jizodo, M., Matsuo, S., Xu, J., Peucheret, C., & Hamamoto, K. (2011). All-optical flip-flop operation based on asymmetric active-multimode interferometer bi-stable laser diodes. *Optics Express*, 19(26), B119-B124. <https://doi.org/10.1364/OE.19.00B119>

---

### General rights

Copyright and moral rights for the publications made accessible in the public portal are retained by the authors and/or other copyright owners and it is a condition of accessing publications that users recognise and abide by the legal requirements associated with these rights.

- Users may download and print one copy of any publication from the public portal for the purpose of private study or research.
- You may not further distribute the material or use it for any profit-making activity or commercial gain
- You may freely distribute the URL identifying the publication in the public portal

If you believe that this document breaches copyright please contact us providing details, and we will remove access to the work immediately and investigate your claim.

# All-optical flip-flop operation based on asymmetric active-multimode interferometer bi-stable laser diodes

H. Jiang<sup>1,\*</sup>, Y. Chaen<sup>1</sup>, T. Hagio<sup>1</sup>, K. Tsuruda<sup>1</sup>, M. Jizodo<sup>1</sup>, S. Matsuo<sup>2</sup>,  
J. Xu<sup>3</sup>, C. Peucheret<sup>3</sup> and K. Hamamoto<sup>1</sup>

<sup>1</sup>*I-Eggs (Interdisciplinary Graduate School of Engineering Sciences), Kyushu University 6-1, Kasuga-koen, Kasuga, Fukuoka, 816-8580, Japan*

<sup>2</sup>*NTT photonics laboratories, 3-1, Morinowakamiua, Atsugi Kanakawa 243-0198, Japan*

<sup>3</sup>*DTU Fotonik, Department of Photonics Engineering, Technical University of Denmark, Building 343, DK-2800, Kgs. Lyngby, Denmark*

\*Corresponding author: [jiangh7@asem.kyushu-u.ac.jp](mailto:jiangh7@asem.kyushu-u.ac.jp)

**Abstract:** We demonstrate fast and low energy all optical flip-flop devices based on asymmetric active-multimode interferometer using high-mesa waveguide structure. The implemented devices showed high speed all-optical flip-flop operation with 25ps long pulses. The rising and falling times of the output signal were 121 ps and 25 ps, respectively. The required set and reset pulse energies were only 7.1 fJ and 3.4 fJ, respectively.

©2011 Optical Society of America

**OCIS codes:** (130.0250) Opto-electronics; (130.4815) Optical switching devices; (190.1450) Bistability.

---

## References and links

1. [http://www.soumu.go.jp/menu\\_news/s-news/01kiban04\\_01000006.html](http://www.soumu.go.jp/menu_news/s-news/01kiban04_01000006.html)
2. [http://www.aist.go.jp/aist\\_e/aist\\_today/2010\\_36/feature/feature\\_02.html](http://www.aist.go.jp/aist_e/aist_today/2010_36/feature/feature_02.html)
3. K. Hamamoto, E. Gini, C. Holtmann and H. Melchior, "Single transverse mode active MMI InGaAsP/InP laser diode," *Electron. Lett.*, **34**, 462-464 (1998).
4. H. A. Bastawrous, H. Jiang, Y. Tahara, S. Matsuo, and K. Hamamoto, "Integrated 4-bit optical memory elements with single common and low operation current (55mA) using novel active MMI," in *Proceedings of 35<sup>th</sup> European Conference on Optical Communication*, P.2.15, (Vienna, Austria, 2009).
5. H. Jiang, Y. Chaen, T. Hagio, K. Tsuruda, M. Jizodo, S. Matsuo, and K. Hamamoto, "Single wavelength (non-grating) high-mesa asymmetric active-MMI all optical bi-stable laser diodes," in *Proceedings of 23rd International Conference on Indium Phosphide and Related Materials*, P32, (Berlin, Germany, 2011).
6. M. Takenaka, and Y. Nakano, "Multimode interference bistable laser diode," *Photon. Technol. Lett.*, **15**, 1035-1037 (2003).
7. M. Takenaka, M. Raburn, and Y. Nakano, "All-optical flip-flop multimode interference bistable laser diode," *Photon. Technol. Lett.*, **17**, 968-970 (2005).
8. M. Raburn, M. Takenaka, K. Takeda, X. Song, J. S. Barton and Y. Nakano, "Integrable multimode interference distributed bragg reflector laser all-optical flip-flop," *Photon. Technol. Lett.*, **18**, 1421-1423 (2006).
9. M. T. Hill, H. J. S. Dorren, T. de Vries, X. J. M. Leijtens, J. H. den Besten, B. Smalbrugge, Y. S. Oei, H. Binsma, G. D. Khoe, and M. K. Smit, "A fast low-power optical memory based on coupled micro-ring lasers," *Nature* **432**, 206-209 (2004).
10. R. Clavero, F. Ramos, J. M. Martinez, and J. Marti, "All-optical flip-flop based on a single SOA-MZI," *Photon. Technol. Lett.* **17**, 843-845 (2005).
11. K. Huybrechts, W. D'Oosterlinck, G. Morthier, and R. Baets, "Proposal for an all-optical flip-flop using a single distributed feedback laser diode," *Photon. Technol. Lett.* **20**, 18-20 (2008).
12. W. D'Oosterlinck, J. Buron, F. Öhman, G. Morthier, and R. Baets, "All-optical flip-flop based on an SOA/DFB-laser diode optical feedback scheme," *Photon. Technol. Lett.* , **19**, 489-491(2007).
13. T. Katayama, T. Ooi, and H. Kawaguchi, "Experimental demonstration of multi-bit optical buffer memory using 1.55µm polarization bistable vertical-cavity surface-emitting lasers," *J. Quantum Electron.*, **45**, 1495-1504 (2009).
14. Y. Hinokuma, Y. Chaen, H. Jiang, T. Hagio, A. Tajima, and K. Hamamoto, "First single wavelength (CW@RT, SMSR>30dB) active-MMI LD (non-grating) based on longitudinal interference," in

*Proceedings of 16<sup>th</sup> Opto-Electronics and Communications Conference*, Post deadline paper PD6, (Kaohsiung, Taiwan, 2011).

15. H. Jiang, H. A. Bastawrous, T. Hagio, S. Matusuo, and K. Hamamoto, "Low hysteresis threshold current (39mA) active multi-mode-interferometer (MMI) bi-stable laser diodes using lateral-modes bi-stability," *J. Sel. Top. Quantum Electron.* **17**, 1258 - 1263, (2011).
16. C. L. Tang, A. Schremer, and T. Fujita, "Bistability in two-mode semiconductor lasers via gain saturation," *Appl. Phys. Lett.*, **51**, 1392-1394 (1987).
17. H. A. Bastawrous, H. Jiang, Y. Tahara, S. Matusuo, and K. Hamamoto, "Extremely wide and uniform hysteresis windows (32mA) for integrated optical RAM using novel active MMI-BLD," in *Optical Fibre Communication Conference*, Technical Digest (CD) (Optical Society of America, 2009), paper OTuK2. <http://www.opticsinfobase.org/abstract.cfm?uri=OFC-2009-OTuK2>
18. K. Hamamoto, in *Active Multi-Mode-Interferometer Laser Diodes and Semiconductor Optical Amplifiers*, Hartung-Gorre Verlag, Series in Quantum Electronics, **21**(Konstanz, Germany, 2000).

---

## 1. Introduction

The amount of network data-traffic keeps increasing at an annual rate of 40% in Japan, to a large extent due to the increase in the amount of video information transmitted over the internet [1-2]. The electrical power consumption of network routers in Japan was estimated to be 8 billion kWh in 2006 and is forecasted to continue increasing in proportion to the expansion of network traffic [1-2]. A significant fraction of the power consumed at current network routers is due to optical-to-electrical-to-optical (OEO) conversion. To solve this issue, one possible solution is to realize all-optical routers that can potentially lead to energy savings. All-optical flip-flops offer one of the key functionalities for such all-optical routers since they can act as optical random access memory (RAM) elements.

So far, several types of all-optical flip-flops have been proposed and demonstrated as all-optical memory elements, including active multi-mode interference (MMI) [3] bi-stable laser diodes (BLDs) [4-8], coupled laser diodes [9], semiconductor optical amplifier-based Mach-Zehnder interferometers [10], distributed feedback lasers with continuous-wave (CW) light injection [11-12], polarization-bi-stable vertical-cavity surface-emitting lasers (VCSELs) [13], etc. Among them, active-MMI BLDs are attractive due to their relatively superior fabrication tolerance and their ability to achieve low threshold currents with wide hysteresis windows, which are important features of future highly integrated RAMs [4].

We have proposed and demonstrated high-mesa waveguide structure asymmetric active-MMI BLDs without any grating or other additional structure [5]. The implemented devices showed a wide hysteresis window, together with superior single-wavelength emission ( $\lambda = 1556$  nm, side-mode suppression ratio SMSR = 30 dB, without using grating structures) [14], and achieved all optical bi-stable switching operation [5]. However, in order to establish the full potential of this technology, it is essential to demonstrate high speed operation compatible with multi-gigabit per second signals.

In this work, we demonstrate experimentally the high speed response of high-mesa asymmetric active-MMI BLDs for the first time. All-optical flip-flop switching was achieved with 25 ps long pulses. The implemented devices showed fast rise and fall times of 121 ps and 25 ps, respectively. Furthermore, the required set and reset pulse energies were only 7.1 fJ and 3.4 fJ, respectively.

## 2. Concept and Design

The bi-stability of active-MMI BLDs is mainly based on cross-gain saturation between two identical propagation paths in the same cavity [15-16]. Extremely wide hysteresis windows have been realized by utilizing the bi-stability of the lowest two lateral mode paths (0<sup>th</sup> and 1<sup>st</sup> order mode paths) in asymmetric active-MMI configurations, as shown in Fig. 1(a) [16-17].

We utilized high-mesa for the waveguide structure. The very high contrast in the refractive index of the high-mesa structure compared to regular ridge and/or buried-

heterostructures helps to achieve “sharp focus” in the self-imaging of active-MMIs [18]. As the active-MMI phenomenon requires coherence, high-mesa with asymmetric active-MMI results in single wavelength emission, namely “interference in the longitudinal mode” [18]. Implemented devices of this type have shown single-wavelength emission with a SMSR of 30 dB [5]. Furthermore, all-optical bi-stable switching operation was confirmed successfully using different wavelengths for the set and reset light pulses.

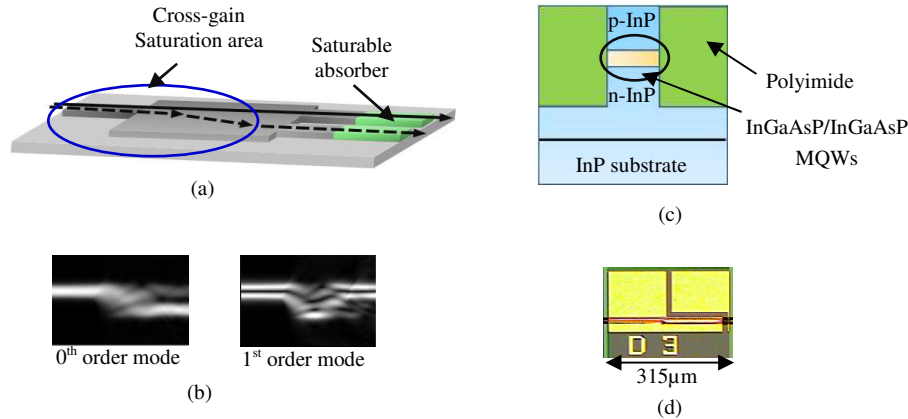


Fig. 1. Schematic view of high-mesa asymmetric active-MMI BLDs. (a) Waveguide configuration. (b) Simulated (using the beam propagation method, BPM) optical of the two propagation paths. (c) Cross-sectional representation of the structure. (d) Top view of the fabricated device.

To further decrease the threshold current, a saturable absorber (SA) region with a length of only 25  $\mu\text{m}$  was implemented in this work. The length portion of the cross-gain saturation region between the two propagation paths was increased to approximately 80% to maintain a sufficiently large hysteresis window with such a short saturable absorber design [15].

The implemented asymmetric active-MMI BLDs had a cavity length of  $L=315\ \mu\text{m}$  (including the 25  $\mu\text{m}$  long SA region). The MMI region width and length were 8  $\mu\text{m}$  and 138  $\mu\text{m}$ , respectively. The access waveguide width was set to be 3  $\mu\text{m}$ . They were realized in high-mesa waveguide structures, as shown in Fig. 1(c). We used InGaAsP/InGaAsP multiple quantum wells ( $\lambda=1.55\ \mu\text{m}$ ) as in [5]. The quantum wells were grown by metal–organic vapor phase epitaxy (MOVPE) on an InP substrate. To realize precisely the designed MMI geometries, an i-line stepper was used for the lithography technique. The structure was etched down using reactive ion etching (RIE) to fabricate the high-mesa waveguide. As can be seen in Fig. 1(d), the high-mesa waveguide structure asymmetric active-MMI BLDs were fabricated on a single compact chip, with no reflection coatings.

### 3. Experimental results

#### 3.1. Static characteristics

Fig. 2 shows the power-current (P-I) characteristics of the implemented devices. It can be seen that a low hysteresis threshold  $I_{\text{th}}$  of 60 mA, and a wide hysteresis window  $\Delta I_{\text{hys}}\%$  (defined as the percentage ratio of the hysteresis window width to the lower hysteresis threshold) of 15% could be realized even in high-mesa waveguide structures. This was made possible thanks to the increase of the cross-gain region to reach 80% of the total device length, with a short saturable absorber length of only 25  $\mu\text{m}$ . From this result, it was confirmed that high-mesa waveguide structure asymmetric active-MMI BLDs can achieve sufficiently large hysteresis windows with relatively low threshold currents. Fig. 3(a) and Fig. 3(b) show the

emission spectrum and near-field-pattern in the “on” state, respectively. Remarkable single wavelength emission performance, based solely on the active-MMI phenomena, has been successfully obtained at a wavelength of  $\lambda=1549$  nm, with a side-mode suppression ratio of 25 dB.

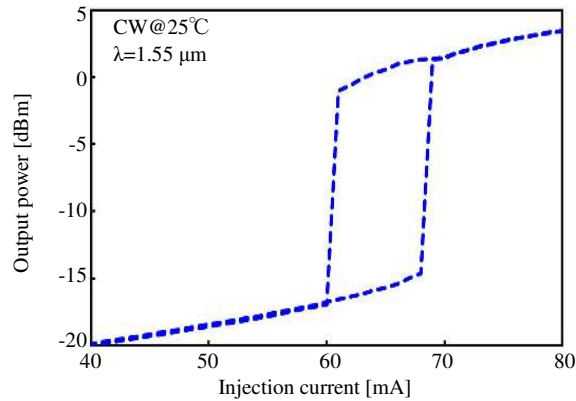


Fig. 2. Power-current characteristics of the implemented device.

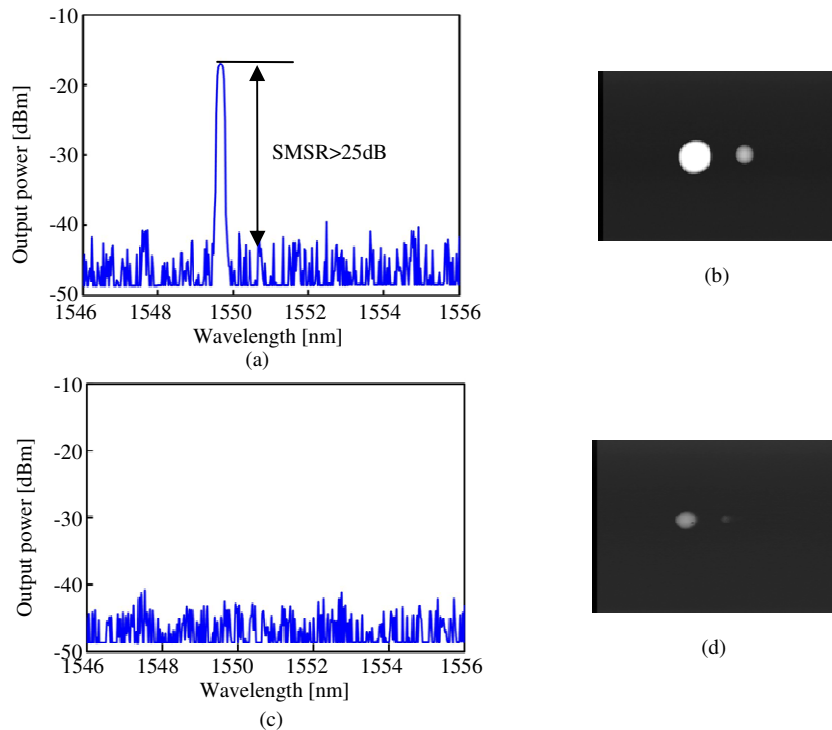


Fig. 3. Emission spectra and near-field-patterns of the implemented device in the “on” and “off” states. (a) Emission spectrum in the “on” state, (b) near-field-pattern in the “on” state, (c) emission spectrum in the “off” state and (d) near-field-pattern in the “off” state.

In order to investigate the memory operation, a current of 65 mA was injected to the implemented device, a CW light at 1549 nm was used as the set light, and a CW light at a different wavelength of 1554 nm was used as the reset light. The device shows bi-stable

switching behavior by injection of the set and reset light. The minimum set and reset switching light power levels were -21 dBm and -24 dBm, respectively. Fig. 3(c) and Fig. 3(d) show the emission spectrum and near-field-pattern in the “off” state. In the un-centered MMI configuration, not only lateral modes, but also longitudinal modes interfere. When the set light is injected, corresponding to the 0<sup>th</sup> order mode lasing light in the implemented device, the device is switched to the “on” state due to cross-gain saturation. When the reset light is injected, corresponding to the 1<sup>st</sup> order mode lasing light, the 0<sup>th</sup> order mode light is switched off. Taking into account the fact that the access waveguide is nearly close to the 1<sup>st</sup> order mode cut-off width, and that this waveguide width is not sufficient for 1<sup>st</sup> order mode emission at low injection currents (as shown Fig. 3(a)) [5], the 1<sup>st</sup> order mode cannot be excited and the device switches to the “off” state.

### 3.2. Flip-flop operation set-up

The set-up used for dynamic flip-flop demonstration is shown in Fig. 4. Two continuous-wave tunable lasers at 1549 nm and 1554 nm were used as the signal sources. The optical data pulses were created by simultaneously modulating the two CW lights in a single Mach-Zehnder intensity modulator driven from a 40 Gbit/s bit pattern generator. The two wavelengths were further separated into set and reset signals by an arrayed waveguide grating. The losses of the modulator were compensated using an erbium-doped fiber amplifier (EDFA). Attenuators were used to control the energy of the set and reset pulses independently. We used an optical delay line to create an adjustable delay between the set and reset pulses. The set and reset pulses were injected into the asymmetric active-MMI BLD through circulators and a piece of lensed fiber. The output signal from the asymmetric active-MMI BLD was extracted through the optical circulator and monitored with a digital sampling oscilloscope.

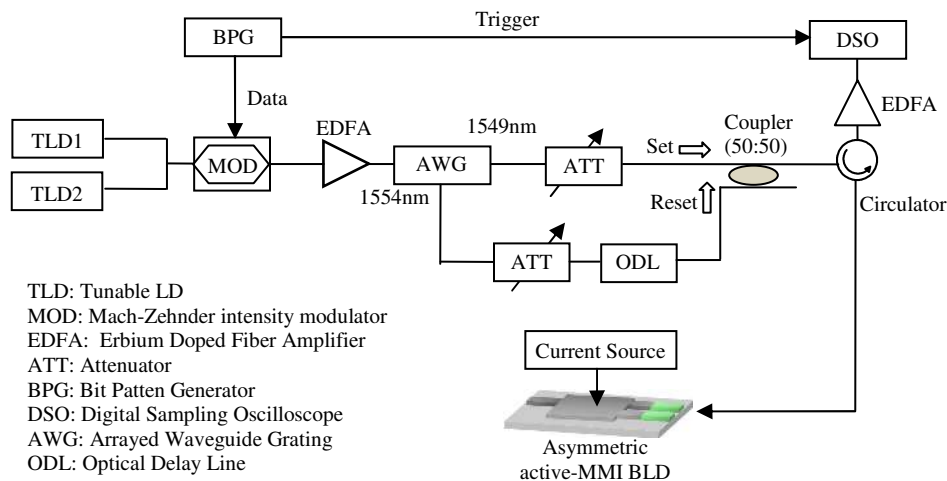


Fig. 4. Experimental setup for the measurement of the dynamic behavior of the all-optical flip-flops.

### 3.3. High speed flip-flop operation

The flip-flop operation results obtained with this set-up are shown in Fig. 5. Light pulses at  $\lambda = 1549$  nm, which was the lasing wavelength, were injected for off-to-on switching, while light pulses at  $\lambda = 1554$  nm, which was different from the lasing wavelength, were used for on-to-off switching. The duration of the set and reset pulses was 25 ps. The reset pulses were

delayed 1.6 ns by the fiber delay line. Furthermore, the switching energies of the set and reset pulses were only 7.1 fJ and 3.4 fJ respectively. Fast rise and fall times were also recorded for the device. The evaluated rise and fall-times were 121 ps and 25 ps, respectively (see Fig. 5 (b), and (c)), despite the fact that the device was a carrier injected bi-stable laser diode. The “on” switching is based on lasing, which involves conversion of injected current into photons, but the “off” switching does not require this procedure. This is the reason for the rise time being significantly longer than the fall time. As shown in Fig. 5(b), relaxation oscillations induced an over-shoot on the rising edge of the generated optical signal. Reducing the device total size and utilizing reflective coatings may result in a shorter rise time. The memory has therefore been shown to react to signal pulses as short as 25 ps. Therefore, we think that the device could be exploited for high-speed packet routing. For such applications, the required switching speed should be compatible with the packet duration (possibly of the order of a few hundred nanoseconds), as opposed to bit-by-bit switching that would be required for logical operations.

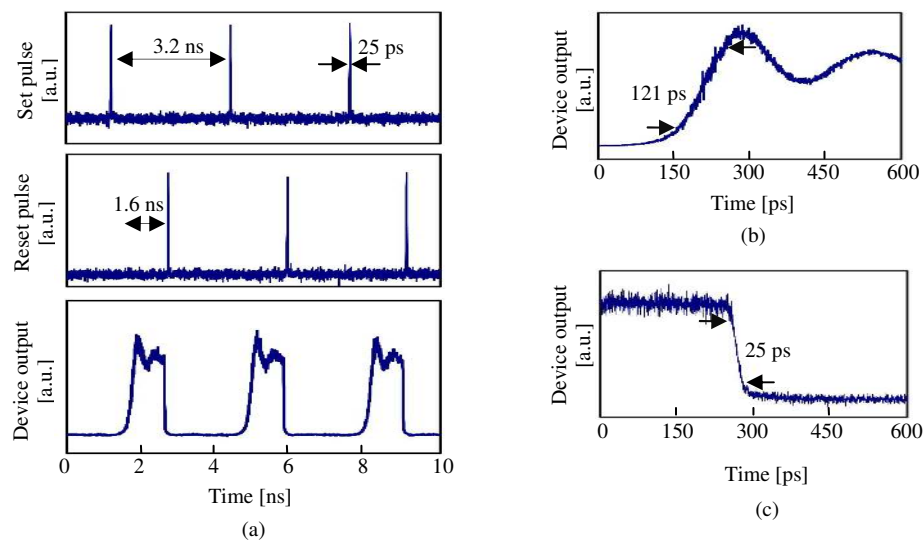


Fig. 5. Dynamic memory operation of the high-mesa asymmetric active-MMI BLD using 25 ps switching pulses. (a) Set and reset pulses, as well as device output waveform, (b) rise time and (c) fall time characterisation.

#### 4. Conclusion

We have successfully demonstrated all-optical flip-flop operation of high-mesa asymmetric active-MMI BLDs using 25 ps long pulses. The devices showed very fast rise and fall times of 121 ps and 25 ps, respectively, with low set and reset pulse energies of 7.1 fJ and 3.4 fJ, respectively. We expect that such asymmetric active-MMI BLDs have the potential to be exploited in future all optical routers.

#### Acknowledgments

This work was supported in part by NICT, Japan.