



University of Kentucky
UKnowledge

Biosystems and Agricultural Engineering
Faculty Patents

Biosystems and Agricultural Engineering

6-15-1982

Biomass Gasifier Combustor

Frederick A. Payne
University of Kentucky, fred.payne@uky.edu

Ira J. Ross
University of Kentucky, joe.ross@uky.edu

Follow this and additional works at: https://uknowledge.uky.edu/bae_patents



Part of the [Bioresource and Agricultural Engineering Commons](#)

[Right click to open a feedback form in a new tab to let us know how this document benefits you.](#)

Recommended Citation

Payne, Frederick A. and Ross, Ira J., "Biomass Gasifier Combustor" (1982). *Biosystems and Agricultural Engineering Faculty Patents*. 16.
https://uknowledge.uky.edu/bae_patents/16

This Patent is brought to you for free and open access by the Biosystems and Agricultural Engineering at UKnowledge. It has been accepted for inclusion in Biosystems and Agricultural Engineering Faculty Patents by an authorized administrator of UKnowledge. For more information, please contact UKnowledge@lsv.uky.edu.

[54] BIOMASS GASIFIER COMBUSTOR

[75] Inventors: Fredrick A. Payne, Versailles; Ira J. Ross, Lexington, both of Ky.

[73] Assignee: University of Kentucky Research Foundation, Lexington, Ky.

[21] Appl. No.: 113,339

[22] Filed: Jan. 18, 1980

[51] Int. Cl.³ F23B 5/00; F23K 3/00

[52] U.S. Cl. 110/210; 110/214; 110/203; 110/225; 110/101 CD

[58] Field of Search 110/327, 225, 210, 214, 110/203, 204, 205, 101 CD

[56] References Cited

U.S. PATENT DOCUMENTS

2,032,402	3/1936	Colby et al.	110/220
2,506,782	5/1950	Fallon	110/101 CD
3,201,329	8/1965	Burt	110/327
3,453,976	7/1969	Burden, Jr. et al.	110/222
3,610,179	10/1971	Shaw, Jr.	110/214
3,747,542	7/1973	Ruohola et al.	110/214
3,774,555	11/1973	Turner	110/210
3,822,657	7/1974	Midkiff	110/101 CD
3,861,334	1/1975	Stockman	110/204
4,013,023	3/1977	Lombana et al.	110/225
4,027,602	6/1977	Mott	110/203
4,038,032	7/1977	Brewer et al.	110/212
4,123,979	11/1978	Tesch	110/214

Primary Examiner—Henry C. Yuen

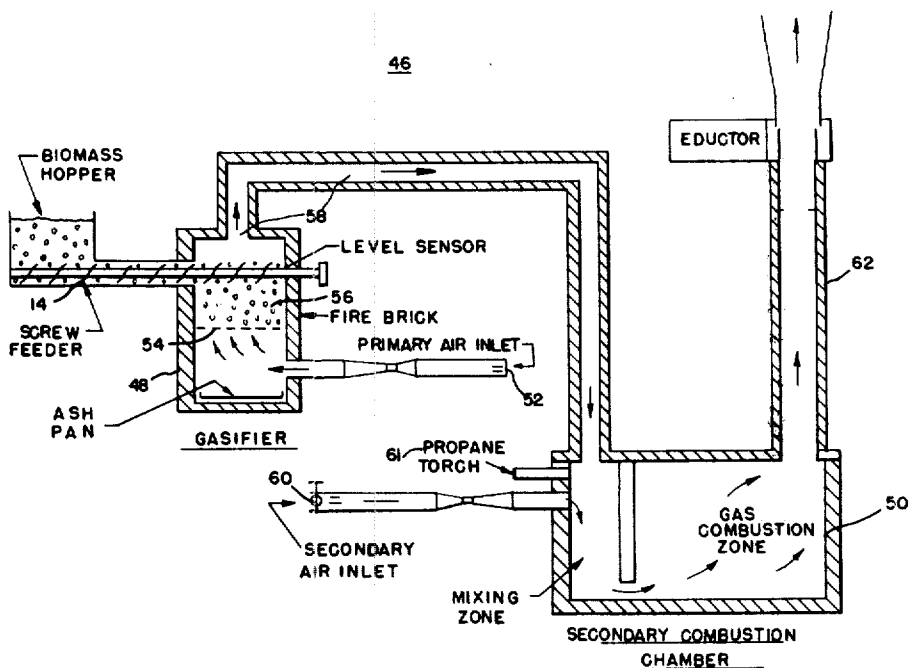
Attorney, Agent, or Firm—Birch, Stewart, Kolasch & Birch

[57] ABSTRACT

The present invention is directed to a biomass gasifier

combustor which operates by gasification and combustion of the biomass to produce a clean effluent gas which can be used directly for grain drying or other applications where thermal energy is required. This biomass gasifier combustor burns crop residue clean enough so that the combustion gases can be used directly for grain drying without the need for a heat exchanger to isolate the combustion gases from the drying air. The biomass gasifier combustor includes a screw feeder tube having a screw feeder disposed therein. The screw feeder forces the biomass into a first combustion chamber. Primary combustion of the biomass produces a first combustion gas. A venturi gas pump creates a negative pressure region in the gasifier, drawing the first combustion gas into a second combustion chamber. A secondary combustion takes place, completely oxidizing the organics in the primary combustion gas and producing a clean exhaust gas which can be used directly for grain drying purposes. An improved first chamber includes a manifold section for preventing the biomass from escaping into the secondary combustion chamber, and a variable height grate for allowing the ash product to fall through the holes in the variable height grate. A damper may be provided at the air inlets to control the flow rates of primary and secondary air. A damper may be placed on the exhaust eductor or venturi pump for regulating the thermal output of the system. The level of biomass in the first combustion chamber may also be monitored and automatically controlled.

13 Claims, 10 Drawing Figures



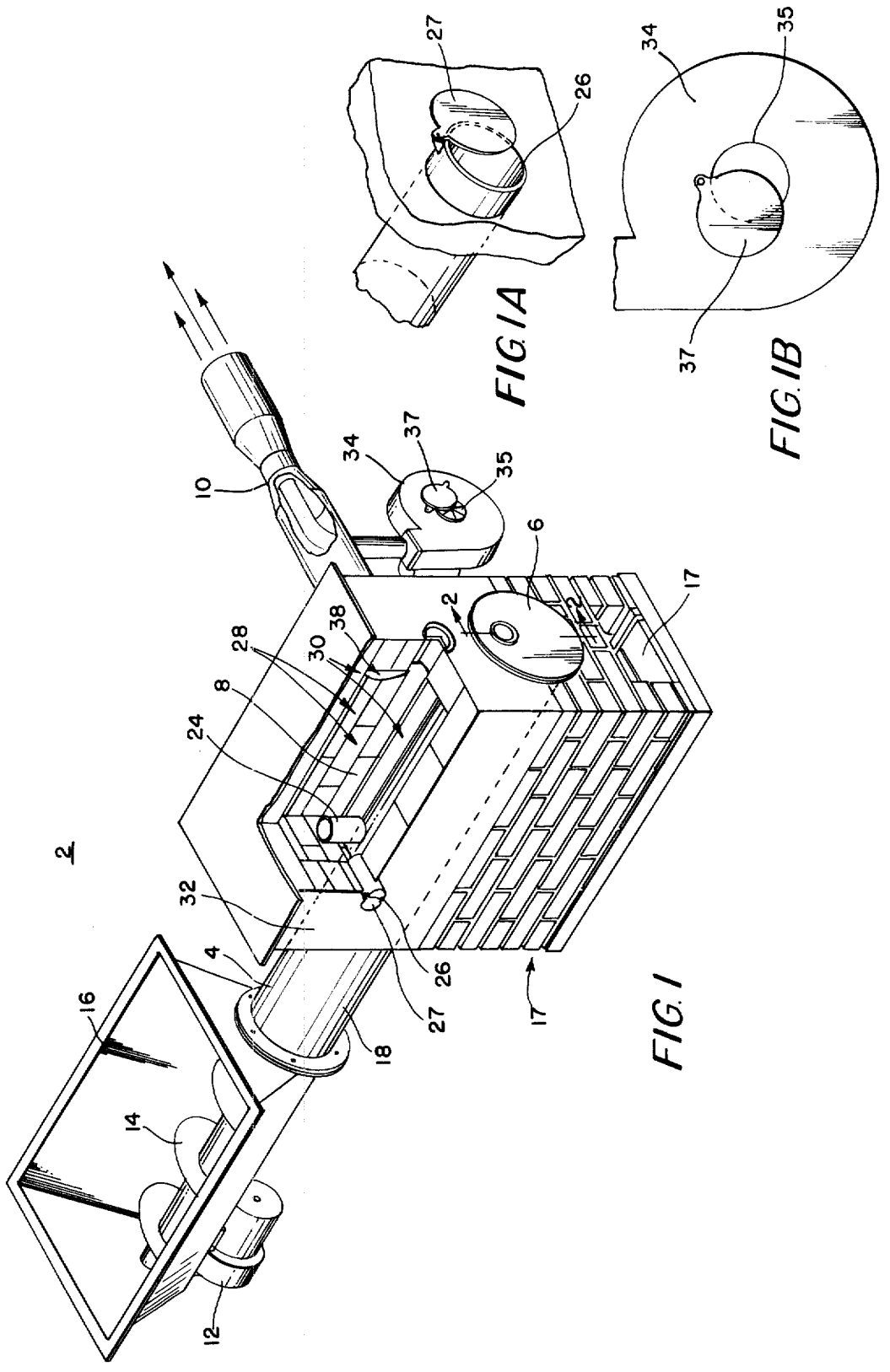


FIG. 1A

FIG. 1B

FIG. 1

FIG. 2

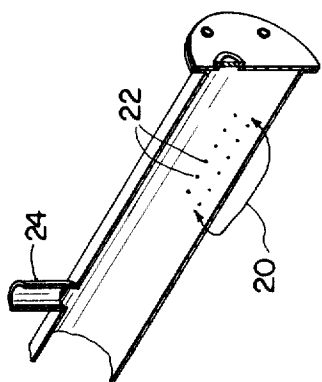
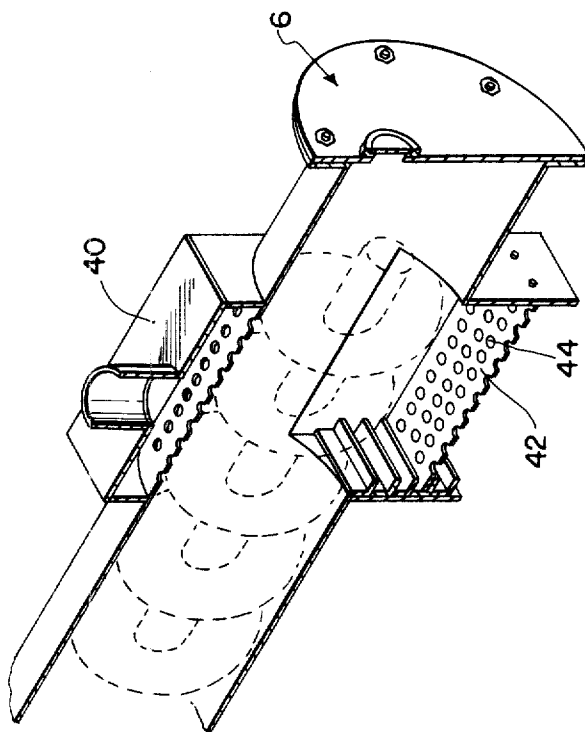
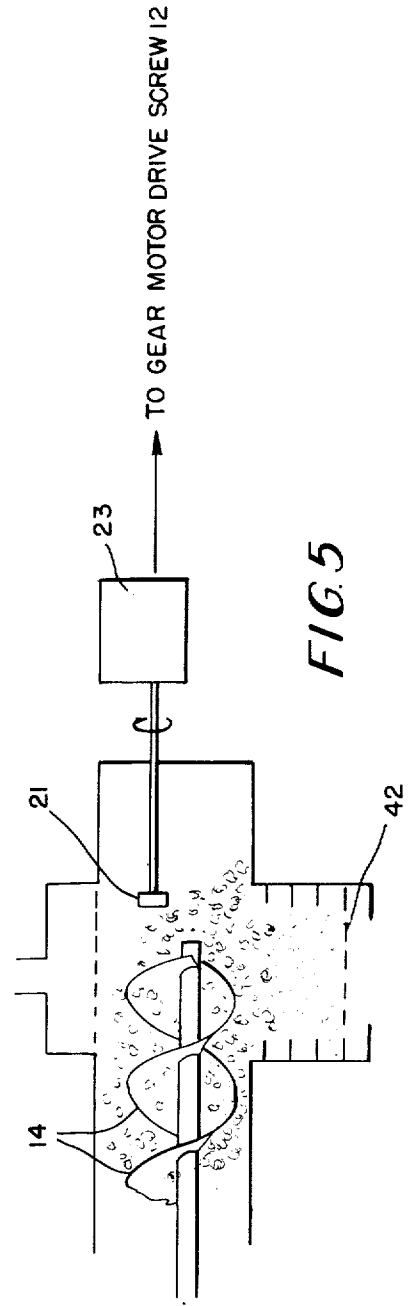
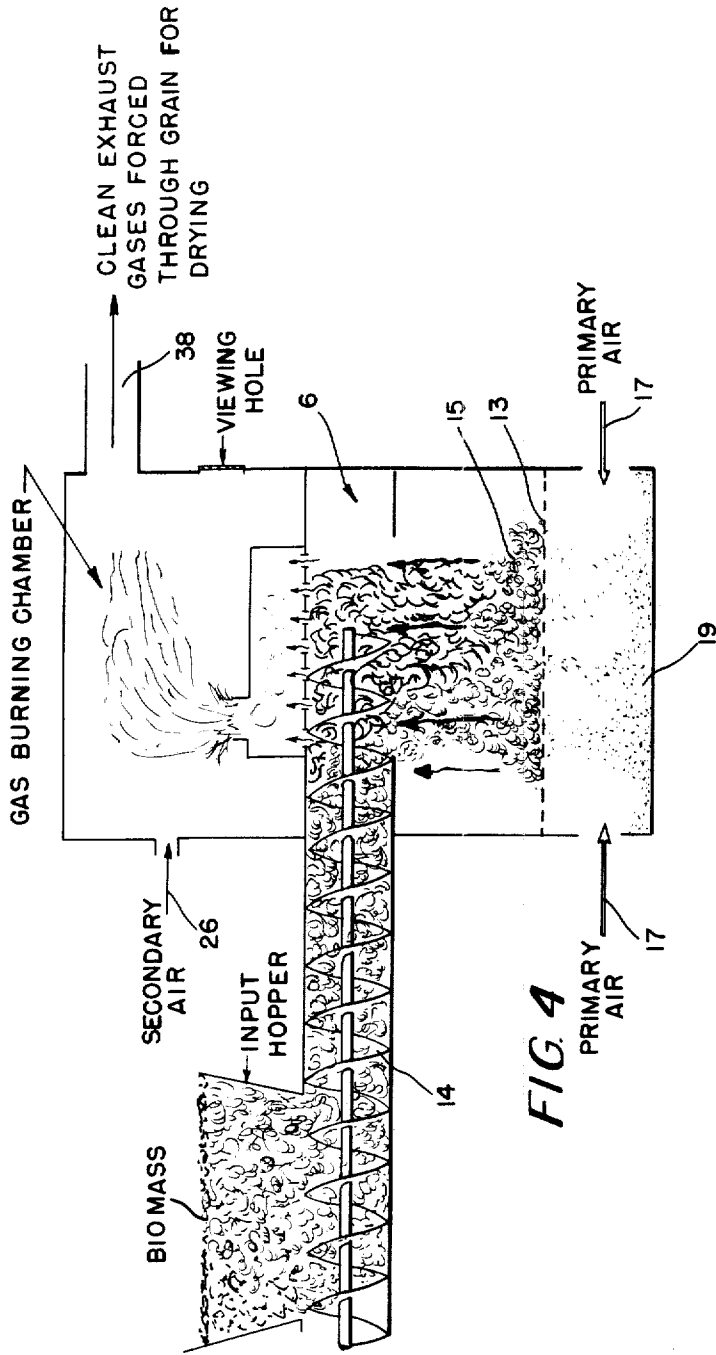


FIG. 3





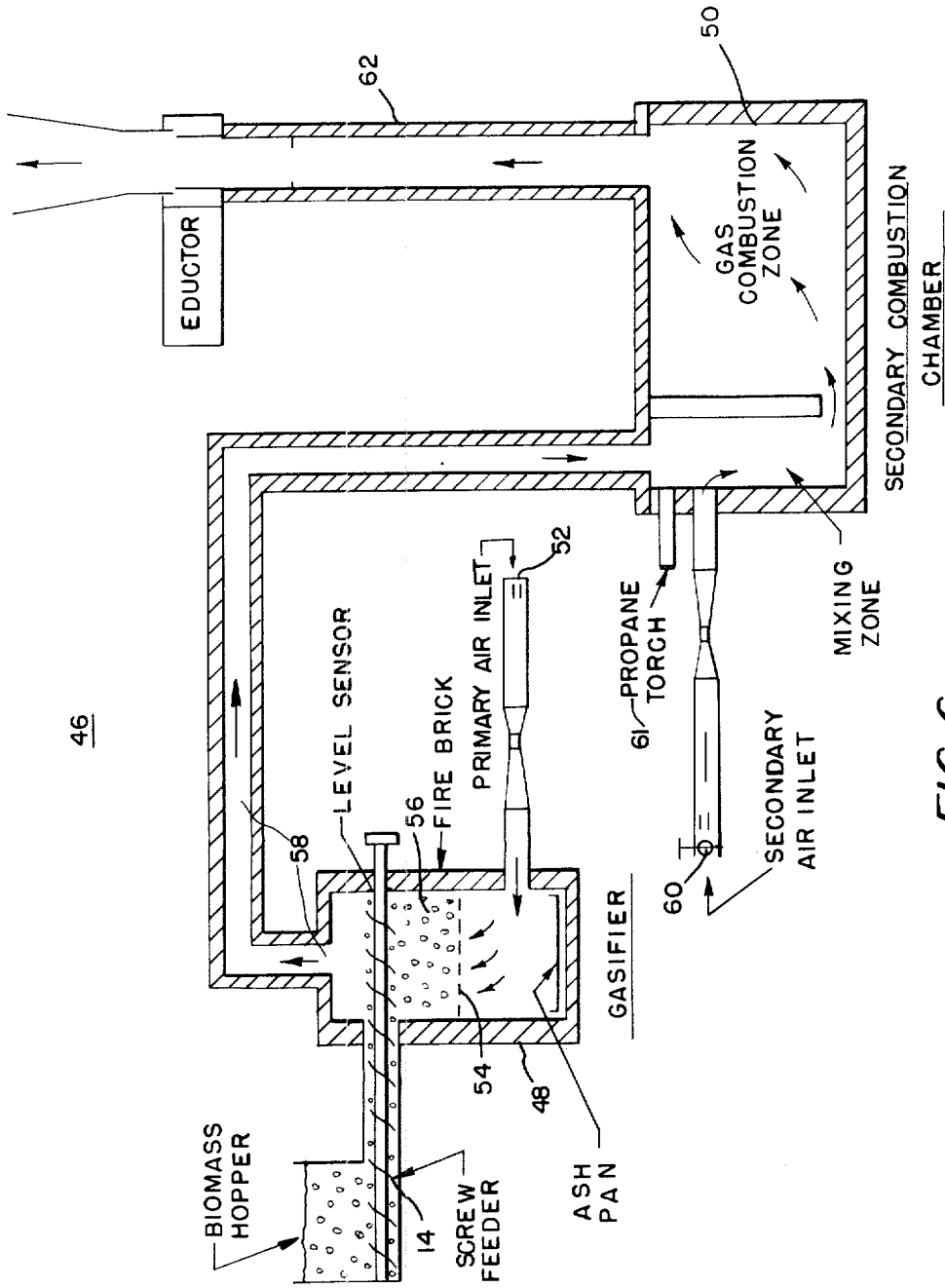


FIG. 6

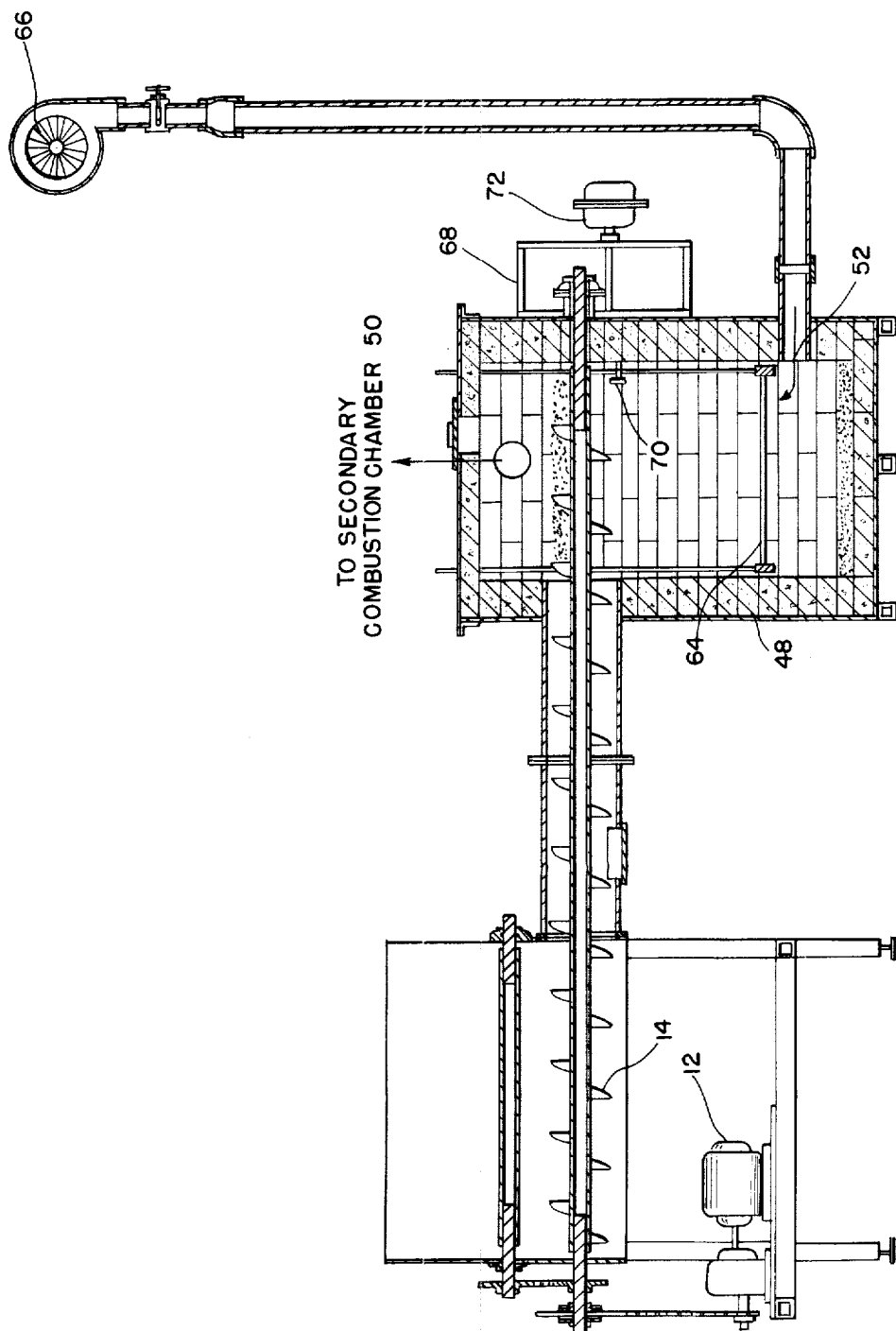
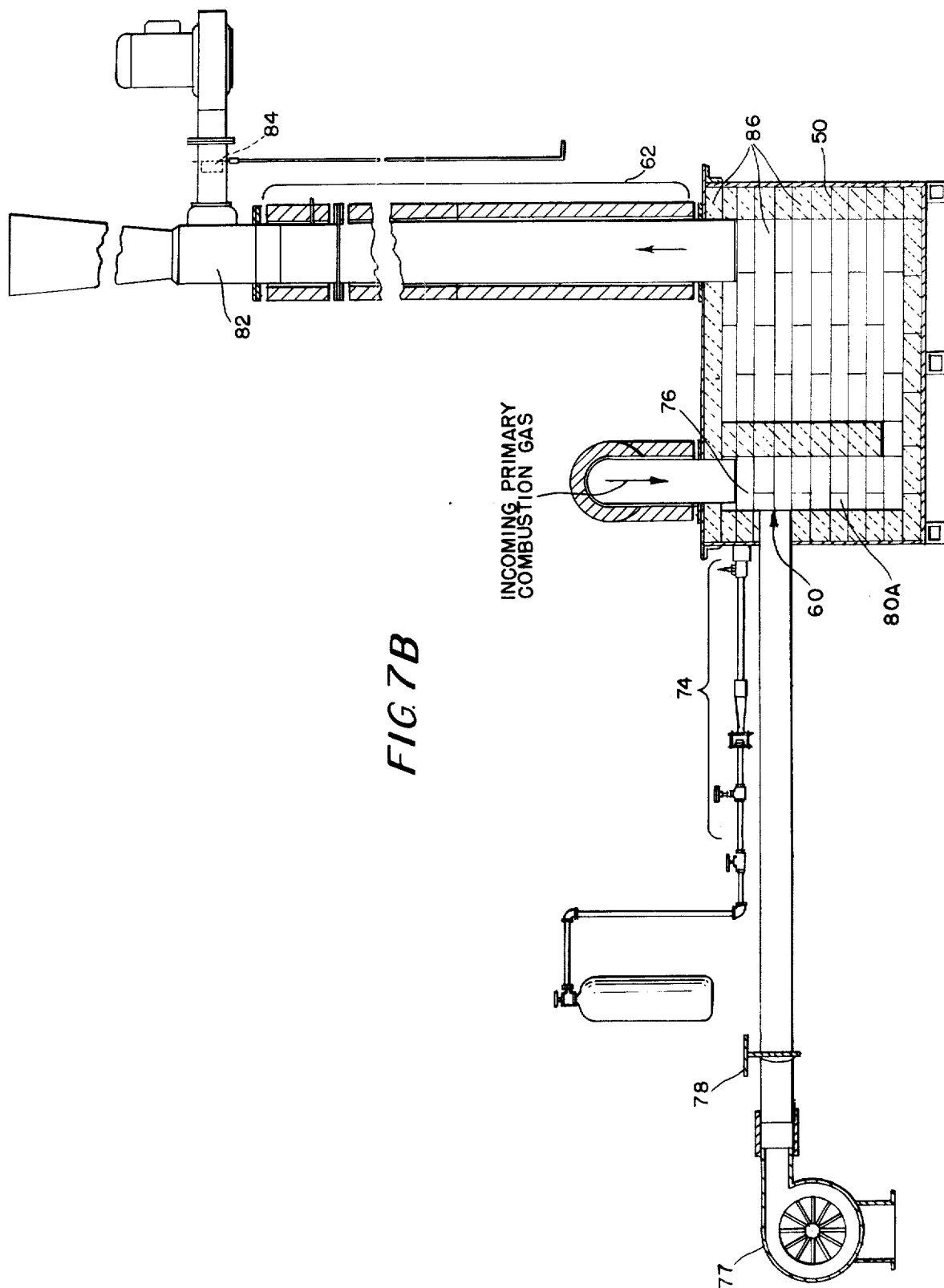


FIG 7A



BIOMASS GASIFIER COMBUSTOR

BACKGROUND OF THE INVENTION

1. Field of the Invention

The present invention generally relates to biomass gasifier combustors for burning crop residue so that the resultant combustion gases can be used for grain drying or other applications where thermal energy is required.

2. Description of the Prior Art

In the prior art, it was required to use a heat exchanger to isolate the combustion gases from the drying air so that the drying air could then be used for grain drying or other applications where thermal energy is required. This heat exchanger, in the prior art device, was required because the combustion gases contained excessive particulate matter and unburned combustibles. The presence of this particulate matter and unburned combustibles in the gases eliminated the possible use of these combustion gases for grain drying purposes. Consequently, the heat exchanger was required in order to produce a clean flow of drying air.

U.S. Pat. No. 3,201,329 issued to Bert discloses a device for transforming carbonaceous vegetable matter into charcoal. This device includes a screw feeder 28 positioned within a fire chamber. However, the screw feeder 28 does not act to partially seal the fire chamber or gasification chamber. Furthermore, the Bert reference was not directed to a gasifier combustor, rather, to a means for carbonizing a waster material.

SUMMARY OF THE INVENTION

It is a primary object of the present invention to provide a biomass gasifier combustor which burns crop residue or other biomasses clean enough so that the combustion gases can be used directly for grain drying purposes without the need for a heat exchanger to isolate the combustion gases from the drying air.

Another object of the present invention is to provide a biomass gasifier combustor which includes a screw feeder tube and a screw feeder disposed therein, the screw feeder tube being disposed horizontally to provide a mechanical force for forcing the biomass into a horizontally disposed gasification chamber thereby not relying on gravity to feed the gasifier. The screw feeder also provides a uniform fire bed depth which does not have compacted zones which result in non-uniform burning.

A further object of the present invention is to provide a biomass gasifier combustor which includes a screw feeder tube, and a screw feeder disposed therein for providing a partial seal at the feed end of the gasifier.

Another object of the present invention is to provide a biomass gasifier combustor having an improved gasification chamber which permits controlled combustion of the biomass and allows the rate of burning to be adjusted to the required output. The gasification chamber includes a manifold section for preventing the biomass from escaping into the combustion chamber and a variable height grate for allowing the ash product, the results of the combustion of the biomass in the gasification chamber, to fall through the holes in the variable height grate thereby falling out of the gasification chamber.

These and other objects of the present invention are accomplished by providing a gasifier combustor wherein the biomass is forced into the gasification chamber by a screw feeder. The gasification chamber

does not require a mechanical seal since the screw feeder tube together with the screw feeder functions as a partial seal at the feed end of the gasifier. In addition, the biomass is horizontally forced into the fire zone by a mechanical force instead of the conventional gravity feed. As a result, the biomass is gasified (undergoes a primary combustion) in the gasification chamber without excessive compaction by gravity and loss of porosity. A venturi pump is provided which creates a negative pressure region within the entire system. Primary air is drawn through and passes through the fire zone generating a gas which is exhausted into the secondary combustion chamber as a low BTU gas where it undergoes a secondary combustion. Consequently, the gasifier combustor of the present invention produces a clean combustion gas (exhaust) which can be used directly for grain drying purposes without the need to resort to the use of a heat exchanger for isolating the combustion gases from the drying air.

Further scope of applicability of the present invention will become apparent from the detailed description given hereinafter. However, it should be understood that the detailed description and specific examples, while indicating preferred embodiments of the invention, are given by way of illustration only, since various changes and modifications within the spirit and scope of the invention will become apparent to those skilled in the art from this detailed description.

BRIEF DESCRIPTION OF THE DRAWINGS

The present invention will become more fully understood from the detailed description given hereinbelow and the accompanying drawings which are given by way of illustration only, and thus are not limitative of the present invention and wherein:

FIG. 1 is a perspective view of a first embodiment of the biomass gasifier combustor of the present invention illustrating the biomass feeder including the screw feeder, the gasification chamber, the gas combustion chamber, and the venturi gas pump creating the negative pressure region;

FIG. 1A is a simplified perspective view of the damper for the secondary air inlet;

FIG. 1B is a larger view of the pressure blower of FIG. 1 having a damper thereon;

FIG. 2 is a perspective view of the gasification chamber taken along section lines 2—2 of FIG. 1;

FIG. 3 is a perspective view of another embodiment of the gasification chamber with the present invention;

FIG. 4 is a schematic view of the operation of the biomass gasifier combustor of FIG. 1;

FIG. 5 is a sectional view of an automatic controller in controlling biomass feeding into the gasification chamber of FIG. 1;

FIG. 6 is a sectional view of another, improved embodiment of the biomass gasifier combustor of the present invention;

FIG. 7A is a detailed view of the primary combustion chamber and associated peripheral equipment for the biomass gasifier combustor of FIG. 6;

FIG. 7B is a detailed view of the secondary combustion chamber and associated peripheral equipment for the biomass gasifier combustor of FIG. 6.

DETAILED DESCRIPTION OF THE INVENTION

Referring to FIG. 1, a biomass gasifier combustor 2 is shown which includes a biomass feeder 4 integrally connected to a gasification chamber 6. The gasification chamber 6 communicates with the gas combustion chamber 8. The gas combustion chamber 8 further communicates with a venturi gas pump 10. The venturi gas pump 10 creates a negative pressure region within the combustor 2.

The biomass feeder 4 includes a gear motor drive screw 12 which rotatably drives a screw feeder 14 disposed within a hopper 16.

The screw feeder 14 rotates through a feeder tube 18. As the screw feeder 14 rotates, the blades of the screw feeder 14 travel through the feeder tube 18 and into the gasification chamber 6.

Referring to FIG. 2, there is shown a sectional view of the gasification chamber 6, shown in a half-section. The gasification chamber 6 includes an area generally denoted as a fire zone 20. The gasification chamber 6 further includes a plurality of holes 22 utilized as an air entrance for primary air communicating with the fire zone 20. A gas exit tube 24 is disposed on a top portion of the gasification chamber, communicating with the fire zone 20 on one end and with the gas combustion chamber 8 on the other end.

Referring to FIG. 1, positioned below the gasification chamber 6 are primary air inlet openings 17. Primary air is drawn through openings 17 in response to the negative pressure region created by the venturi gas pump 10. As combustion gases are created in the gasification chamber 6, these gases exit through the gas exit tube 24 and into the gas combustion chamber 8. The purpose of the gas (or secondary) combustion chamber 8 is to provide an insulated chamber with sufficient oxygen, temperature, residence time and turbulence to completely oxidize the organics to CO₂ and H₂O. The gas combustion chamber 8 includes a secondary air inlet 26 which permits the flow of air through the air inlet 26 to the gas combustion chamber 8. Covering the secondary air inlet 26, a damper 27 is rotatably engaged thereto to control the amount of secondary air being drawn into the secondary air inlet 26. See FIG. 1A. The damper 27 can be rotated to cover all or a portion of the air inlet opening of the secondary air inlet 26. The ratio of the secondary air to the primary air entering the system is controlled by the damper 27 on the secondary air inlet 26. The amount of secondary air may be increased to a level where no smoke is evident in the exhaust. Typically, between 50-200% excess air is used.

The gas combustion chamber 8 also includes insulating fire brick 28 and a castable insulating refractory 30. A sheet metal enclosure 32 encloses the entire gas combustion chamber around the outer portion thereof.

Referring to FIG. 4, the biomass gasifier combustor 2 also includes a grate 13. The primary air is drawn through openings 17 in response to the creation of the negative pressure region by the action of the venturi gas pump 10. An ash pan 19 collects the ashes of the hot glowing coals 15. The primary air is drawn through the hot glowing coals 15 as a result of the negative pressure region created by the venturi pump 10.

The venturi gas pump 10 includes a pressure blower 34 for providing the forced air necessary to create the negative pressure region within the combustor 2.

Referring to FIG. 1B, the pressure blower 34 is shown. The blower 34 includes a fan inlet 35 for allowing air to enter the blower 34. Covering the fan inlet 35 is a damper 37. The damper 37 is rotatably engaged to the fan inlet 35 to cover all or a portion of the fan inlet 35. The damper 37 controls the amount of heat generated within the gasification chamber 6 and the gas combustion chamber 8.

The gasifier combustor of the present invention permits controlled burning of the biomass. The rate of burning is controlled by adjusting the damper 37 on the intake of the pressure blower 34. Opening the damper will increase the suction pressure on the gasifier combustor and consequently increase the primary and secondary air rates. The increase in primary air will increase the rate of biomass conversion and consequently the rate of heat generation. Closing the damper will have an opposite effect.

In operation, the biomass gasifier combustor 2, appearing in FIG. 1, produces a clean combustion gas which can be used directly for grain drying without the need for a heat exchanger to isolate the combustion gases from the drying air.

The biomass, which includes materials such as corn stalks, corn cobs, corn grain, wood chips, or other biomasses is placed in the biomass feeder 4, and in particular, in the hopper 16 so that the biomass may be engaged by the blades of the screw feeder 14. When the biomass is engaged by the blades of the screw feeder 14, and as the screw feeder rotates in response to the action of the gear motor screw drive 12, the biomass is forced into the feeder tube 18 and into the gasification chamber 6.

The venturi gas pump 10 creates a negative pressure region in the combustor 2 due to the operation of the pressure blower 34 in providing a continuous flow of forced air through the venturi gas pump 10. The negative pressure can be controlled through the use of damper 37 covering the fan inlet 35 of blower 34. Since the venturi gas pump 10 communicates with the internal gas combustion chamber 8, a negative pressure region is created in such a way as to cause the combustion gases present in the gas combustion chamber 8 to exit through an opening 38, eventually being exhausted to the atmosphere in the form of hot exhaust gases.

Concurrently with and in response to the creation of the negative pressure region in the combustor 2 due to the action of the venturi gas pump 10, primary air enters the openings 17, and passes through the holes 22 and into the fire zone 20 of the gasification chamber 6. The biomass is present in the fire zone 20 when the primary air is forced through the holes 22.

Referring to FIG. 4, when the primary air is drawn through openings 17, in response to the negative pressure created by the venturi pump 10, and when the primary air passes through the grate 13 and through the hot glowing coals 15, hot combustion gases are created as a result of the burning of the biomass in the gas combustion chamber 6.

These hot combustion gases exit through the gas exit tube 24, and into the gas combination chamber 8 in response to the creation of the negative pressure region within the combustor 2.

Secondary air is drawn through the secondary air inlet 26, in response to the creation of the negative pressure in the gas combustion chamber 8. The secondary air combines with the hot combustion gases in the gas combustion chamber 8. The reaction of the hot combustion gases with the secondary air in the gas

combustion chamber 8 causes the hot combustion gases present in the gas combustion chamber 8 to undergo a complete combustion, or a secondary combustion, which oxidizes all the combustibles present in the hot combustion gas. An intense heat is created in the secondary gas combustion chamber 8, typically, 1700° F. CO₂ and H₂O are the result. This CO₂ and H₂O is exhausted to the atmosphere by exiting through the opening 38. The venturi gas pump 10 carries and exhausts the hot exhaust gases (CO₂, H₂O, and N₂), which are the product of the secondary combustion occurring within the gas combustion chamber 8. These hot exhaust gases are clean enough so that the hot exhaust gases can be used directly for grain drying without the need for a heat exchanger to isolate the hot exhaust gases from the drying air.

Note that refractory insulation exists between the gasification chamber 6 and the secondary combustion chamber 8. This reduces the amount of heat which is transferred from the secondary combustion chamber 8 to the gasification chamber 6.

Referring to FIG. 3, another embodiment of the present invention is shown which includes an improved modification to the gasification chamber 6 of FIG. 1. The gasification chamber 6 in FIG. 3 includes a manifold section 40 for preventing large pieces of the biomass from being carried into the gas combustion chamber 8. This gasification chamber 6 in FIG. 3 also includes a variable height grate 42. The variable height grate creates a larger volume in the fire zone and is not disrupted by the turning of the screw feeder 14. The ash, which is the product of the primary combustion of the biomass in the gasification chamber 6, falls through the holes 44 in the variable height grate. The screw feeder 14 runs the entire length of the fire zone 20 inside the gasification chamber 6 to spread the biomass over the entire fire zone area.

Referring to FIG. 5, an automatic control of biomass feeding into the gasification zone is disclosed. The screw feeder 14 feeds the biomass into the gasification chamber 6 until the biomass blocks and prevents the rotation of the paddle 21. The paddle 21 continuously rotates in response to the action of its controller 23. As the screw feeder feeds the biomass into the gasification chamber 6, the biomass accumulates and eventually interrupts the rotation of the paddle 21. When the paddle rotation is interrupted, a micro switch in the controller 23 is triggered. When the micro switch in the controller 23 is triggered, a controller signal is fed back to the gearmotor drive screw 12 to prevent rotation of the screw feeder 14. Consequently, the rotation of the screw feeder 14 terminates, and the biomass is no longer forced into the gasification chamber 6. As burning proceeds, in the gasification chamber 6, the level of the biomass in the gasification chamber drops. This drop in the level of the biomass in the gasification chamber acts to release the paddle 21. As a result, the rotation of the paddle 21 once again commences. The micro switch in the controller 23 is released, releasing the gearmotor drive screw 12, and commencing rotation of the screw feeder 14. Biomass is then forced back into the gasification chamber 6 for subsequent combustion.

Referring to FIG. 6, an alternative embodiment of the present invention is illustrated. The biomass gasifier combustor 46 in FIG. 6 depicts a primary combustion chamber 48 and a secondary combustion chamber 50. The screw feeder rotates, as in the previous embodiment, and forces the biomass into the primary combus-

tion chamber. Primary air is drawn into the primary combustion chamber through the primary air inlet 52. This primary air gasifies the biomass present within the primary combustion chamber. The biomass 56 undergoes a primary combustion in the primary combustion chamber to produce a low BTU gas. Primary combustion gases are released and drawn through a gas exit pipe 58. The gas exit pipe 58 connects with the secondary combustion chamber 50. As the primary combustion gases enter the secondary combustion chamber, a propane torch 61 ignites the primary combustion gas. The primary combustion gases mix with the secondary air being drawn into the secondary air inlet 60 in a mixing zone 80A. When the primary combustion gas is mixed with the secondary air in the secondary combustion chamber 50, a secondary combustion of the primary combustion gases takes place in a combustion zone 80A, thereby producing a clean secondary gas consisting of primarily CO₂, H₂O, and N₂. Sufficient time, temperature and turbulence is caused as a result of the secondary combustion within the secondary combustion chamber 50 in order to completely oxidize the organics present in the primary combustion gas thereby producing the secondary combustion gas in the form of CO₂, H₂O and N₂. Since the secondary air is being drawn into the secondary air inlet 60, the secondary combustion gases exit through the exhaust stack 62 and to the atmosphere. The secondary combustion gas (exhaust) is drawn through the secondary combustion chamber by the negative pressure generated by the educator which performs a function identical to the venturi pump 10 in FIG. 1.

A more thorough understanding of the alternative embodiment appearing in FIG. 6 is illustrated in FIGS. 7A and 7B.

In FIG. 7A, the primary combustion chamber, and its associated peripheral equipment is shown. The screw feeder 14 forces the biomass into the primary combustion chamber 48. The gearmotor drive screw 12 drives the screw feeder in forcing the biomass into the primary combustion chamber 48. A variable height grate 64 is illustrated wherein the biomass is placed on the variable height grate. The primary air enters the primary air inlet 52 as a result of the operation of the air blower 66. The air blower 66 regulates the primary air flow rate into the primary combustion chamber 48.

A controller 68 is shown which maintains a constant level of biomass in the primary combustion chamber 48. This controller 68 is similar to the controller appearing in FIG. 5. The controller 68 maintains the constant level of biomass in the primary combustion chamber by monitoring the rotational conditions of the paddle 70. When the biomass in the gasifier reaches a predetermined level, the paddle 70 is prevented from rotating. A micro switch in the controller housing 72 is activated or triggered as a result of the termination of the rotation of paddle 70. The activation of the micro switch in the controller housing 72 deenergized the gearmotor drive screw 12 such that the screw feeder 14 stops rotating. As a result, the biomass then is no longer forced into the primary combustion chamber 48.

The variable height grate 64 controls the temperature of the primary combustion gas exiting the gasifier 48. The temperature of the primary air flowing up through the biomass will drop from approximately 1200° C. at the grate 64 to approximately 300° C. at the screw feeder 14. As a result of this drop in temperature, a steel screw feeder 14 can be used for the feeder screw in

forcing the biomass into the primary combustion chamber. As a result, it is no longer necessary to utilize expensive alloys high in chrome and nickle as materials for the screw feeder 14, which will withstand high temperatures.

Referring to FIG. 7B, the secondary combustion chamber 50 and its associated peripheral equipment is shown. An igniter 74 is illustrated for the purpose of maintaining a flame 76 in the mixing zone to prevent gas explosions during start up and to add stability to gas burning when high moisture fuels or biomass are the energy source being gasified. The secondary air inlet 60 is shown which includes a fan or air blower 77 which controls the amount of excess secondary air being pumped into the secondary combustion chamber 50. Excess secondary air is needed to complete the combustion of the primary combustion gas in the secondary combustion chamber and is used to keep temperatures in the secondary combustion chamber lower than the temperature limit of the materials used in construction of the secondary combustion chamber.

The secondary air inlet 60 further includes a damper 78 which controls the amount of excess air being pumped into the secondary combustion chamber. The incoming primary combustion gas from the primary combustion chamber is mixed with the incoming secondary air being pumped into the secondary air inlet 60 in the mixing zone 80A. The mixing zone 80A provides the necessary turbulence to thoroughly mix the incoming secondary air with the incoming primary combustion gas. Thorough mixing of the incoming secondary air and the incoming primary combustion gas enhances the complete combustion of the combustibles present in the primary combustion gas and provides for a clean exhaust consisting primarily of CO₂, H₂O and N₂.

The eductor exhaust pump 82, located at the top portion of the exhaust stack 62, creates a negative pressure region in the secondary combustion chamber and the gasifier. By regulating the rate at which the exhaust is pulled through the system in the eductor 82, the rate of burning and consequently the thermal output is also regulated.

A damper 84 regulates the rate at which the exhaust is pulled through the exhaust stack 62 from the system. The damper 84 also regulates the thermal output of the system.

In the secondary combustion chamber 50, the secondary combustion gas is produced in response to the mixture of the incoming secondary air and the incoming primary combustion gas, and in response to the resultant combustion of the incoming primary combustion gas. The secondary combustion chamber 50 provides a zone with sufficient time, temperature and turbulence to completely oxidize the combustibles present in the incoming primary combustion gas. Consequently, the secondary combustion gas includes primarily CO₂, H₂O and N₂. The refractory insulation 86 in insulating the secondary combustion chamber, maintains the temperature in the secondary combustion chamber at a high level such that chemical reactions will proceed to completion in a short time. No heat is extracted from the secondary combustion gas or exhaust gases until the organics present have been completely oxidized.

Some of the typical applications for use of the present invention include grain drying, tobacco curing, disposal of peanut shells, disposal of woodchips and use of a thermal energy for kiln drying, disposal of cotton gin

wastes and utilization of heat for drying and disposal of wastes to generate boiler steam.

The gasification chamber of the present invention does not require a mechanical seal since the screw feeder tube 18 together with the screw feeder 14 functions as a partial seal at the feed end of the gasifier. In addition, the biomass is horizontally forced into the fire zone by a mechanical force (the action of the screw feeder 14) instead of the conventional gravity feed. As a result, the present invention enables the biomass to be gasified in a uniform fire bed which results in uniform burning.

The biomass gasifier combustor 2 of the present invention produces a clean combustion gas which can be used directly for grain drying without the need for a heat exchanger to isolate the combustion gases from the drying air.

The invention being thus described, it will be obvious that the same may be varied in many ways. Such variations are not to be regarded as a departure from the spirit and scope of the invention, and all such modifications as would be obvious to one skilled in the art, are intended to be included within the scope of the following claims.

What is claimed is:

1. An apparatus for producing a clean combustion gas in response to combustion of a biomass mixture disposed therein and for drying an object using said clean combustion gas, comprising:

screw feeder means for feeding said biomass mixture into said apparatus, said feeder means being horizontally disposed for feeding said biomass mixture into said apparatus along a horizontal direction and having an augered configuration for forcedly feeding said biomass mixture into said apparatus;

first combustion chamber means for receiving said biomass mixture from said feeder means and burning said biomass mixture therein thereby producing a first combustion gas, said feeder means extending transversely within said first combustion chamber means for levelling the biomass mixture received therein, said feeder means being horizontally disposed in a plane within said first combustion chamber means, said plane substantially corresponding to the maximum desired level of said biomass mixture in said first combustion chamber means, said feeder means sealing said first combustion chamber means from said atmosphere;

level sensing means extending into said first combustion chamber means and connected to said feeder means for sensing the level of the biomass mixture in said first combustion chamber and for terminating the feed of said screw feeder means when said biomass mixture reaches a predetermined level;

second combustion chamber means for receiving said first combustion gas and burning said first combustion gas therein thereby producing a second combustion gas;

nozzle means for forcedly directing said second combustion gas from said second combustion chamber means onto said object, said second combustion gas drying said object;

pump means communicating with said second combustion chamber means for creating a negative pressure region within said apparatus, said negative pressure region drawing said first combustion gas into said second

combustion chamber means and forcedly directing said second combustion gas through said nozzle means and onto said object; said biomass mixture comprises a highly porous fuel having a low moisture content; means for producing a primary flow of air; primary air inlet port means responsive to the means for producing for permitting said primary flow of air to flow into said first combustion chamber means, the primary air flowing from said primary inlet port means through the porous fuel in said first combustion chamber means thereby burning the porous biomass mixture therein; and first gas outlet port means for permitting said first combustion gas to exit from said first combustion chamber means to said second combustion chamber means;

whereby the level sensing means stops the feed of said screw feeder means when the biomass mixture in said first combustion chamber has reached a predetermined level, an even biomass distribution being achieved in said first combustion chamber means when the biomass mixture is levelled thereby permitting an even burn of said biomass in said first combustion chamber means.

2. An apparatus in accordance with claim 1 wherein said first gas outlet port means further comprises means for preventing large pieces of said biomass mixture from being carried from said first combustion chamber means into said second combustion chamber means.

3. An apparatus in accordance with claim 2 wherein said first combustion chamber means further comprises ash port means for permitting the burned biomass mixture in said first combustion chamber means to fall from said first combustion chamber means into an ash collection chamber means.

4. An apparatus in accordance with claim 3 wherein said ash port means comprises:

plate means having a plurality of ports disposed therethrough; and support means connected to the lower wall surface of said first combustion chamber means for supporting said plate means within said first combustion chamber means, said support means having a plurality of substantially parallel flange support means for supporting said plate means and for variably adjusting the position of said plate means within said support means.

5. An apparatus in accordance with claim 1 further comprising regulating means associated with said nozzle means for regulating the rate of flow of said second

combustion gas through said nozzle means thereby regulating the output temperature of said second combustion gas being directed onto said object.

6. An apparatus in accordance with claim 1 wherein said first combustion chamber means and said second combustion chamber means are arranged in a single outer housing and communicate together from within said single outer housing.

7. An apparatus in accordance with claim 1 wherein said first combustion chamber means and said second combustion chamber means are arranged in separate and distinct outer housings and communicate together via a first combustion gas connecting tube means.

8. An apparatus in accordance with claim 1 wherein said screw feeder comprises a steel material.

9. An apparatus in accordance with claim 1 wherein at least a portion of said feeding means is made of a steel material.

10. An apparatus in accordance with claim 1, wherein said object comprises grain; and wherein the temperature of combustion of the mixed secondary air and first combustion gas in said gas combustion zone is approximately 1700° F.

11. An apparatus in accordance with claim 1, further comprising a combustion grate horizontally disposed within said first combustion chamber means below said feeder means, said combustion grate being so spaced from said feeder means that a difference in temperature exists between said grate and said feeder means, said difference in temperature being enough to allow the use of a metal within said screw feeder means which has a melting point approximately that of steel.

12. An apparatus in accordance with claim 1, wherein said second combustion chamber means further comprises:

secondary air inlet port means for permitting a secondary flow of air to flow into said second combustion chamber means; and second gas outlet port means for permitting said second combustion gas to exit from said second combustion chamber means to said nozzle means.

13. An apparatus in accordance with claim 12 further comprising means connected to said secondary air inlet port means for regulating the amount and the flow rate of said secondary flow of air into said second combustion chamber.

* * * * *

50

55

60

65