

Review

Brachial-Ankle Pulse Wave Velocity: Background, Method, and Clinical Evidence

Masanori Munakata

Research Center for Lifestyle-Related Disease and Division of Hypertension,
Japan Health, Labor, and Welfare Organization, Tohoku Rosai Hospital, Sendai, Japan

Key Words

Ageing · Arterial stiffness · Cardiovascular disease · Hypertension · Pulse wave velocity

Abstract

Background: The populations of many developed countries are becoming progressively older. In aged societies, assessment of total vascular risk is critically important, because old age is usually associated with multiple risks. In this regard, pulse wave velocity (PWV) could be a global cardiovascular marker, since it increases with advancing age, high blood pressure, hyperglycaemia, and other traditional risks, summing cardiovascular risks. Carotid-femoral PWV has been widely applied in Western countries and has been used as a gold-standard PWV measure. However, this measure has never been implemented by general practitioners in Japan, possibly because of methodological difficulties. The life expectancy of Japanese people is now the highest in the world, and the establishment of an adequate total vascular risk measure is an urgent need. Against this background, brachial-ankle PWV was developed at the beginning of this century. **Summary:** Measurement of this parameter is easy, and its reproducibility is good. Moreover, the generality of the methodology is guaranteed. Brachial-ankle PWV has been reported to consistently increase with most traditional cardiovascular risk factors except dyslipidaemia. A meta-analysis of cohort studies including various levels of risk has shown that a 1 m/s increase in brachial-ankle PWV is associated with a 12% increase in the risk of cardiovascular events. Moreover, simultaneous evaluation of the ankle-brachial index could allow further risk stratification of high-risk individuals, who are common in aged societies. This unique feature is indispensable for the management of aged populations, who usually are exposed to multiple risks and have polyvascular diseases. This evidence, however, is chiefly derived from East Asian countries. The collection of data from Caucasian populations, therefore, remains a task for the future. **Key Message:** Brachial-ankle PWV has the potential to become a measure of arterial stiffness worldwide.

© 2016 S. Karger AG, Basel

Masanori Munakata, MD, PhD
Research Center for Lifestyle-Related Disease
Tohoku Rosai Hospital, 3-21 Dainohara 4
Aobaku, Sendai 981-8563 (Japan)
E-Mail munakata@tohokuh.rofuku.go.jp

Background

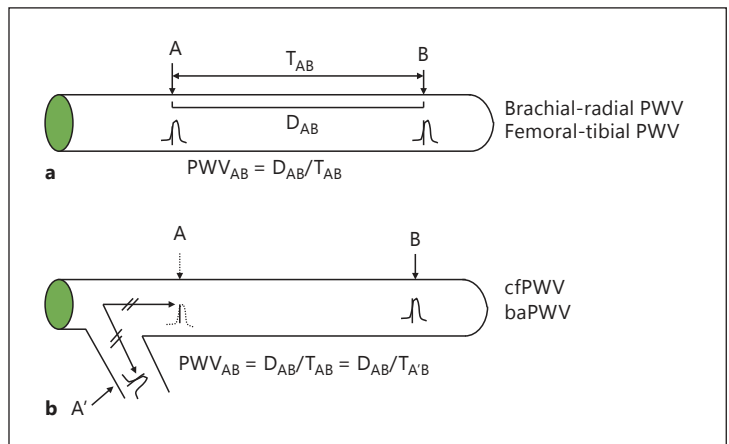
Ageing of society is a common issue in many developed countries. The life expectancies of Japanese people have extended by about 25 years during the previous 5 decades [1]. This is largely attributable to the introduction of a universal health care system in 1961 and the establishment of free access to medical facilities. In fact, systolic blood pressure values have been reduced by about 10–20 mm Hg throughout all generations during the past 50 years [2], resulting in a marked reduction in the incidence of stroke, a leading cause of death among Japanese until 1980. However, the prolongation of the life expectancy of Japanese people has not been associated with a consistently healthy life but with one with some periods of disability [3]. Many factors cause disability among aged Japanese individuals, but cerebrovascular diseases have been suggested to play the most important role [4]. Thus, healthier vascular ageing is of great concern to Japanese society.

Regarding arterial health, William Osler stated: 'Man is as old as his arteries'. More specifically, arterial stiffness has been considered as a measure of biological ageing. Arterial stiffness refers to the rigidity of the arterial wall. The arterial wall progressively stiffens because of ageing, which is associated with various kinds of biochemical and histologic changes in the arterial wall [5]. Moreover, increased intraluminal pressure, or hypertension, could increase arterial wall stress and functionally stiffens the arterial wall. Thus, arterial stiffness reflects the summation of both organic and functional stiffness of the arterial wall. Because high blood pressure is the most important risk factor for cardiovascular diseases in the Japanese population [6], an arterial measure which reflects the influence of blood pressure would be an adequate marker for total vascular risk in Japanese people. In this regard, arterial stiffness might be a good candidate.

The ejection of blood from the heart produces an arterial pulsation termed 'pulse wave', and the speed at which it propagates to the periphery is called 'pulse wave velocity' (PWV). The PWV is known to be proportional to the rigidity of the arterial wall through which it propagates and inversely proportional to the vessel diameter. In Japan, a unique technique for measuring aortic PWV was developed around 1970 [7] and had been suggested as a marker of atherosclerosis [8]. At the same time, analysis of finger photoplethysmographic waveforms was first introduced by Ozawa (in Japanese), and its clinical usefulness as a measure of vascular ageing was later established by Takazawa et al. [9]. In Western countries, carotid-femoral PWV (cfPWV) has been a popular method for evaluating large-artery stiffness [10], which was more importantly considered as a measure of buffering function moderating cardiac load or arterial oscillation. Several automatic devices have been introduced for the measurement of cfPWV [11, 12], and a vast amount of clinical data has been accumulated. In Japan, the use of these devices, however, was still limited in the research field, possibly because of their limited availability to general practitioners. Brachial-ankle PWV (baPWV) was developed in this historical situation in about the year 2000.

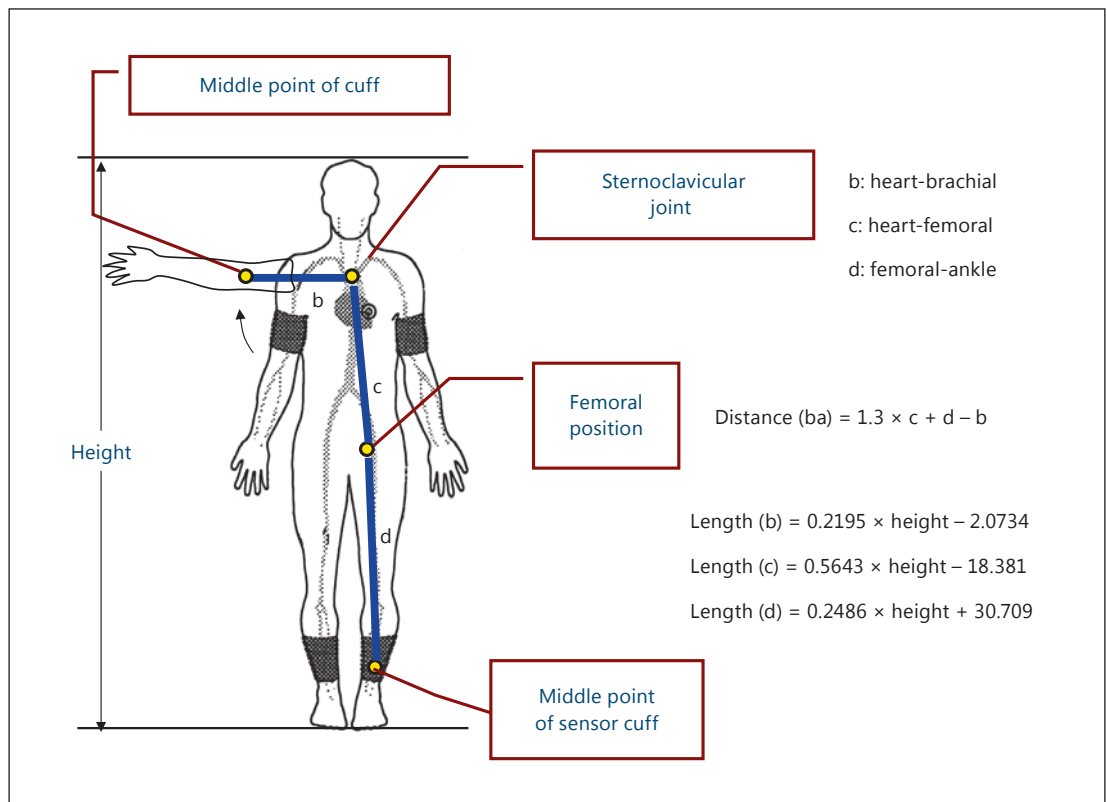
Theoretical Concept of baPWV and Its Validation

PWV is calculated by dividing travelled distance by travel time [5]. The pulse wave is preferentially measured between two points on the same artery (fig. 1a), but this can only be applied to peripheral PWV such as brachial-radial or femoral-tibial PWV. The stiffness of the large artery is considered more important than that of the peripheral artery. In this case, it is not easy to apply this method, because the proximal aortic wave is difficult to measure from the body surface. In this case, the arterial wave on the branching artery can be used instead (fig. 1b). In baPWV measurements, the brachial arterial wave is used to substitute for the



Color version available online

Fig. 1. Theoretical concepts for the measurement of PWV. D = Distance; T = time.



Color version available online

Fig. 2. Path length formula for baPWV.

proximal aortic wave. The path length formula is critically important when we measure PWV. Figure 2 shows how to calculate the brachial-ankle distance, with b, c, and d indicating heart-brachial, heart-femoral, and femoral-ankle lengths. All these lengths are expressed as linear equations of height as shown in figure 2. Brachial-ankle distance is expressed as $1.3 \times c + d - b$. Thus, it is also expressed as a linear equation of height. Recently, this height-based path length has been validated by comparing the path length determined by using the magnetic

resonance imaging (MRI) method [13]. The results showed that the brachial-ankle path length overestimated the MRI-based path length by about 11% because of the underestimation of the heart-brachial distance, or b. This is one of the reasons why baPWV shows a greater absolute value than cfPWV or femoral-ankle PWV [14]. However, the correlation between height-based baPWV and MRI-based baPWV was high ($r^2 = 0.96$), suggesting that the MRI-based baPWV can be easily converted from the height-based baPWV. The intra- and inter-observer variabilities of baPWV are reportedly 3.8–10.0% and 3.6–8.4%, respectively, representing a reproducibility that is not problematic in clinical use [5].

Disease Specificity of baPWV and Treatment Effects

We have recently summarised disease-specific changes in baPWV or changes in various pathophysiological conditions [5]. Briefly, baPWV increases in patients with hypertension, diabetes, metabolic syndrome, chronic kidney disease, and sleep apnoea syndrome, as well as in the conditions of ageing, tachycardia, and post-menopause. In hypertension and diabetes, higher baPWV is associated with more advanced organ damage. The relationship between baPWV and lipids is not in accord. baPWV also increases in end-stage renal disease, and higher baPWV is associated with lower cardiac function, left ventricular hypertrophy, and severity of carotid atherosclerosis. However, because the prevalence of peripheral arterial disease (PAD) in end-stage renal disease has been reported to range from 20 to 30%, baPWV is of limited usefulness in a considerable proportion of cases. Regarding treatment effects, antihypertensive agents, statins, oral diabetic drugs, weight loss, smoking cessation, and continuous positive airway pressure have been reported to lower baPWV.

Only a few studies have examined whether baPWV could be a marker of surrogate end points. One study reported that in 161 patients with coronary artery disease, the risk of coronary artery disease onset and mortality rates were about 4 times higher in the group without than in the group with a decrease in baPWV after therapeutic intervention [15]. In hypertensive patients, changes in baPWV and urinary albumin excretion after 6 months of antihypertensive therapy were correlated, and the group with reduced baPWV had a greater reduction in urinary albumin excretion than the group without reduced baPWV [16]. In a randomised controlled trial that compared the degree of intimal formation after stenting and baPWV between a telmisartan and a valsartan treatment group of patients with coronary disease, the telmisartan group showed less neointima formation and significantly lower baPWV than the valsartan group [17]. It has been well established that coronary artery calcium (CAC) is significantly correlated with the risk of coronary heart disease and poor prognosis. Lee et al. [18] examined the relationship between baPWV and future progression of CAC in 1,124 subjects who voluntarily underwent comprehensive health screenings. During the mean follow-up period of 2.7 years, an increased CAC score was found in 318 subjects. When the subjects were grouped as quartiles according to baPWV level, the 3rd- and 4th-quartile groups showed a significantly higher odds ratio for progression of the CAC score (2.04, 95% CI 1.33–3.15, and 2.14, 95% CI 1.34–3.41, respectively) than the lowest-quartile group (p for trend <0.001).

Prognostic Significance of baPWV

Table 1 summarises the cohort studies performed to date. The results were summarised until No. 14 in a recent review [5]. This paper describes further evidence added by study No. 15 and thereafter. In untreated patients with essential hypertension, the cut-off value of

Table 1. Studies on the prognostic significance of baPWV in Japan

Report No.	Authors [Ref.], year	Cohort	Mean age, years	Follow-up	Outcomes	Prognostic value of baPWV
1	Kitahara et al. [31], 2005	785 haemodialysis patients	60	34 months	Total death 131 CV death 85	Significant
2	Tomiyama et al. [32], 2005	215 acute coronary syndrome patients	No data	26 months	CV events 18	Significant
3	Morimoto et al. [33], 2009	199 haemodialysis patients	61	43.2 months	Total death 24 CV death 10	Significant
4	Meguro et al. [34], 2009	72 CHF patients	68	14 months	Readmission due to CHF 17 Cardiac death 9	Significant
5	Miyano et al. [35], 2010	530 elderly subjects from the general population	76	3 years	Total death 30 CV death 10	Significant
6	Nakamura et al. [36], 2010	191 diabetic patients with CAD	No data	25.4 months	Composite CV events 59	Significant
7	Turin et al. [37], 2010	2,480 subjects from the general population	Men 61 Women 57	6.5 years	Total death 59	Significant
8	Kato et al. [38], 2010	194 haemodialysis patients	64	39 months	Total death 39 CV events 39	Not significant
9	Tanaka et al. [39], 2011	445 haemodialysis patients	63	43 months	CV events 206 CV death 36	Not significant
10	Yoshida et al. [40], 2012	783 diabetic patients	No data	5.4 years	CV events 85	Not significant
11	Munakata et al. [19], 2012	662 hypertensive patients	60	3 years	CV events 24	Significant
12	Inoue et al. [41], 2012	197 haemodialysis patients	66	69 months	CV events 89	Significant
13	Ninomiya et al. [23], 2013	2,916 subjects from the general population	60	7.1 years	CV events 126	Significant
14	Takashima et al. [24], 2014	4,164 subjects from the general population	58.9	6.5 years	CV events 40	Significant
15	Kawai et al. [20], 2013	440 hypertensive patients	61	6.3 years	CV events 62	Significant
16	Ishisone et al. [25], 2013	973 subjects from the general population	59	7.8 years	CV events 37	Significant
17	Maeda et al. [21], 2014	3,628 diabetic patients	61	3.2 years	Total death 207 CV events 298	Significant
18	Katakami et al. [22], 2014	1,040 diabetic patients	59	7.5 years	CV events 113	Significant
19	Sugamata et al. [30], 2014	923 CAD patients	65	64 months	Coronary events 116	Significant

CHF = Congestive heart failure ; CAD = coronary artery disease ; CV = cardiovascular.

baPWV at which the cardiovascular event risk begins to increase has been shown to be at 1,750 cm/s according to the results of the Japanese Trial on the Prognostic Implication of Pulse Wave Velocity [19]. However, whether this cut-off value could be applied to treated patients with essential hypertension was unclear. In the Non-Invasive Atherosclerosis Evaluation in Hypertension study, 440 patients treated for essential hypertension were followed up for 6.3 years, and the relationship between baPWV and risk of cardiovascular events was examined [20]. During the follow-up period, 35 stroke, 30 cardiovascular disease, and 62 stroke-plus-cardiovascular-disease cases were found. A receiver operating characteristic curve analysis showed that the best cut-off value to maximise sensitivity and 1 – specificity was 1,736 cm/s for both stroke and cardiovascular events. The multivariate adjusted hazard ratios for stroke, cardiovascular disease, and stroke plus cardiovascular disease in a group with a baPWV of $\geq 1,750$ cm/s were 1.828 (95% CI 0.879–3.870), 1.786 (95% CI 0.796–4.101), and 2.048 (95% CI 1.176–3.616), respectively, in comparison with the group with a baPWV of $< 1,750$ cm/s. This confirmed that a baPWV of 1,800 cm/s could also be a threshold for high risk in patients treated for essential hypertension.

In my recent review, the prognostic significance of baPWV in diabetic patients was controversial [5], as suggested by reports No. 6 and 10 in table 1. However, study No. 10 was retrospective and did not exclude patients with PAD. baPWV has been shown to markedly underestimate cardiovascular risk in patients with PAD, in whom the prognostic value of baPWV is eliminated [5]. Study No. 1 in table 1 showed that in patients with end-stage renal disease, baPWV was a significant predictor of cardiovascular events if patients with an ankle-brachial index (ABI) of < 0.9 were excluded beforehand, while the significance disappeared if

Table 2. Prognostic studies on baPWV outside Japan

Report No.	Authors [Ref.], year	Country	Cohort	Mean age, years	Follow-up	Outcomes	Prognostic value of baPWV
1	Chang et al. [42], 2014	Taiwan	452 diabetic patients	67	5.8 years	Total death 17 Composite CV events 64	Significant
2	Yoon et al. [43], 2014	Korea	241 CKD patients	53	367 days	CV events 12	Significant
3	Kim et al. [27], 2014	Korea	1,765 acute ischaemic stroke patients	65	3.3 years	Total death 228 Vascular death 143	Significant
4	Sheng et al. [28], 2014	China	3,876 subjects from the general population	68	5.9 years	Total death 316	Significant

CKD = Chronic kidney disease; CV = cardiovascular.

such pre-treatment was absent. In the Kyusyu Prevention Study of Atherosclerosis [21], 3,628 diabetic patients with an ABI of ≥ 0.9 were prospectively followed up. During the mean follow-up period of 3.2 years, 298 cerebrovascular and cardiovascular events and 207 total deaths occurred. The risks of cerebrovascular events, cardiovascular events, and total mortality were all increased with an increase in baPWV. The multivariate adjusted odds ratio for total mortality in the group with a baPWV of ≥ 24 m/s was 1.84 (95% CI 1.13–2.88) in comparison with the group with a baPWV of < 24 m/s. Moreover, the multivariate adjusted odds ratios for cerebrovascular and cardiovascular events in the group with a baPWV of ≥ 14 m/s were 1.56 (95% CI 1.03–2.45) and 1.16 (95% CI 0.82–1.68), respectively. In the Order-Made Multiple Risk Factor Intervention Trial, 1,040 type 2 diabetic patients without PAD were followed up for 7.5 years [22]. The unique point of this study was that the intima media thickness (IMT) of the carotid artery was added as a covariate. During the mean follow-up period of 7.5 years, 113 new-onset cardiovascular events occurred. The multivariate adjusted hazard ratio for cardiovascular events in the group with a baPWV of $\geq 1,550$ cm/s was 1.35 (95% CI 1.11–1.64), and the inclusion of maximum IMT minimally affected the hazard ratio (1.33; 95% CI 1.09–1.62). These data clearly demonstrated that baPWV was an independent predictor of cardiovascular events in diabetic patients when patients with PAD were excluded, and that the predictive value was never reduced even after inclusion of IMT as a covariate.

A series of cohort studies conducted in the general population have consistently shown the close relationship between baPWV and cardiovascular events. In the Hisayama study, the correlation between baPWV and cardiovascular disease risk was continuous and a 20% increase in baPWV was associated with a 1.3-fold increase in the risk of cardiovascular events [23]. The latest data from the Takashima study indicated that at $\geq 1,800$ cm/s, the risk of cardiovascular events was 2.7-fold higher than at $< 1,800$ cm/s [24]. Ishisone et al. [25] recently compared the prognostic value of baPWV, central blood pressure, and brachial pulse pressure for cardiovascular morbidity and mortality in 973 subjects from the general population aged 40–79 years (mean 59 years). During the mean follow-up period of 7.8 years, 37 cardiovascular events and deaths occurred. The relationship between the cardiovascular outcomes and quartiles of each measure was examined. baPWV showed a significant relationship with cardiovascular outcome, while the other two measures did not. They concluded that baPWV may be a better predictor of cardiovascular events than central blood pressure or pulse pressure in the general Japanese population. These results are similar to those obtained in the Framingham Cohort Study that showed that cfPWV was a significant predictor of cardiovascular events, whereas neither central blood pressure nor augmentation index was [26]. These data suggest that PWV could be the best predictor of cardiovascular events among several arterial stiffness measures in the general population.

Results of several recent cohort studies from East Asian countries have been reported as shown in table 2. Kim et al. [27] examined the relationship between baPWV and vascular and non-vascular mortality in patients with acute ischaemic stroke. More than 1,700 patients with ischaemic stroke were followed up for up to 7 years. Both vascular and non-vascular mortality rates increased with an elevation of baPWV. The highest tertile of baPWV was associated with a 2.4 times higher risk of vascular mortality as compared with the reference group. A 10 m/s increase in baPWV was associated with a 62% increase in the risk of vascular mortality. Sheng et al. [28] examined the relationship between baPWV and all-cause mortality in an elderly Chinese population. The adjusted hazard ratio for all-cause mortality in the top decile group of baPWV was 1.56 (95% CI 1.16–2.08) as compared with the whole study population. In this study, the adjusted hazard ratio for non-cardiovascular mortality was significant (HR 1.60; 95% CI 1.18–2.75), while that for cardiovascular mortality did not reach a statistically significant level (HR 1.46; 95% CI 0.90–2.05).

Use of baPWV in Combination with ABI

In general, PWV measurement becomes unreliable if the circulation is disturbed on the way of pulse propagation [14]. Thus, confirming the normal circulation of the lower limb artery from the iliac to the tibial region is critically important in the measurement of baPWV. In this regard, both sides of the ABI measurements are mandatory before considering the use of baPWV. The recommended diagnostic and/or therapeutic procedures are as follows. First, the presence/absence of PAD should be verified based on the ABI. PAD is suspected if the ABI on either the left or the right side is ≤ 0.9 ; therefore, patients with this condition are considered a high-risk group and need to be more closely examined. If necessary, drug therapy is started/intensified. In such instances, stenosis would be suspected in the lower limb arteries; therefore, it is difficult to attach significance to the baPWV value, and it is not used as a clinical indicator.

An ABI of >0.9 on both the left and the right side indicates the absence of severe arteriosclerosis obliterans; therefore, baPWV has prognostic significance. Such patients are at high risk of cardiovascular events if the baPWV on either side is $\geq 1,800$ cm/s and therefore require thorough management of cardiovascular risks, which could increase the baPWV as noted earlier. If both baPWV values are $<1,800$ cm/s but either baPWV is $\geq 1,400$ cm/s, the risk of hypertension onset or decline in renal function is high. Therefore, lifestyle modifications are recommended [5]. These are valid clinical applications of baPWV as considered from the evidence accumulated thus far.

Conclusions and Future Issues

baPWV has been well confirmed to increase in conditions with traditional cardiovascular risk factors such as ageing, hypertension, diabetes, and chronic kidney disease. Thus, baPWV could summate total vascular risks. Moreover, accumulated evidence from East Asian countries has shown that baPWV has a good prognostic significance independent of traditional risk factors in many cohorts with various risk levels. Moreover, simultaneous measurement of the ABI could further stratify high-risk individuals. In other words, the combined use of the ABI and baPWV could serially stratify cardiovascular risk in populations with various degrees of vascular damage. This unique feature is indispensable in the management of aged populations, who are usually exposed to multiple risks and have polyvascular diseases. Measurement of this measure is easy, with good reproducibility. Moreover, the generality of the method-

ology is guaranteed. Thus, baPWV has the potential to become a global measure of arterial stiffness. As yet, baPWV has never been fully accepted worldwide due to perceived theoretical and methodological issues [29]. To bridge the gap and further confirm the clinical usefulness of baPWV, the following two issues should be adequately addressed. First, the data on Caucasian populations are extremely limited; thus, more data are needed on these populations. Second, whether baPWV-guided therapy could really improve prognosis for high-risk individuals remains unclear; to clarify this issue, a randomised controlled trial with baPWV as the decision marker for treatment should be conducted.

Acknowledgement

This study was supported in part by grants from the Miyagi Prefectural Kidney Association.

Disclosure Statement

The author has no conflicts of interest to disclose.

References

- 1 OECD Data Japan. 2015. <https://data.oecd.org/japan.htm>.
- 2 Miura K, Nagai M, Ohkubo T: Epidemiology of hypertension in Japan. *Circ J* 2013;77:2226–2231.
- 3 Hashimoto S, Kawado M, Seko R, Murakami Y, Hayashi M, Kato M, Noda T, Ojima T, Nagai M, Tsuji I: Trends in disability-free life expectancy in Japan, 1995–2004. *J Epidemiol* 2010;20:308–312.
- 4 Naruse T, Sakai M, Matsumoto H, Nagata S: Diseases that precede disability among latter-stage elderly individuals in Japan. *Biosci Trends* 2015;9:270–274.
- 5 Munakata M: Brachial-ankle pulse wave velocity in the measurement of arterial stiffness: recent evidence and clinical applications. *Curr Hypertens Rev* 2014;10:49–57.
- 6 Ikeda A, Iso H, Yamagishi K, Inoue M, Tsugane S: Blood pressure and the risk of stroke, cardiovascular disease, and all-cause mortality among Japanese: the JPHC Study. *Am J Hypertens* 2009;22:273–280.
- 7 Yoshimura S, Hasegawa M, Arai C, Abe M, Aizawa Y: Aortic pulse wave velocity and arteriosclerosis (in Japanese). *Rinsho Byori* 1973;21:79–86.
- 8 Ouchi Y, Terashita K, Nakamura T, Yamaoki K, Yazaki Y, Toda E, Yamaguchi T, Orimo H: Aortic pulse wave velocity in patients with coronary atherosclerosis – a comparison with coronary angiographic findings (in Japanese). *Nihon Ronen Igakkai Zasshi* 1991;28:40–45.
- 9 Takazawa K, Tanaka N, Fujita M, Matsuoka O, Saiki T, Aikawa M, Tamura S, Ibukiyama C: Assessment of vasoactive agents and vascular aging by the second derivative of photoplethysmogram waveform. *Hypertension* 1998;32:365–370.
- 10 O'Rourke M: Arterial stiffness, systolic blood pressure, and logical treatment of arterial hypertension. *Hypertension* 1990;15:339–347.
- 11 Asmar R, Benetos A, Topouchian J, Laurent P, Pannier B, Brisac AM, Target R, Levy BI: Assessment of arterial distensibility by automatic pulse wave velocity measurement. Validation and clinical application studies. *Hypertension* 1995;26:485–490.
- 12 Wilkinson IB, Fuchs SA, Jansen IM, Spratt JC, Murray GD, Cockcroft JR, Webb DJ: Reproducibility of pulse wave velocity and augmentation index measured by pulse wave analysis. *J Hypertens* 1998;16(pt 2):2079–2084.
- 13 Sugawara J, Hayashi K, Tanaka H: Arterial path length estimation on brachial-ankle pulse wave velocity: validity of height-based formulas. *J Hypertens* 2014;32:881–889.
- 14 Munakata M, Nunokawa T, Tayama J, Yoshinaga K, Toyota T: Brachial-ankle pulse wave velocity as a novel measure of arterial stiffness: present evidences and perspectives. *Curr Hypertens Rev* 2005;1:223–234.
- 15 Orlova IA, Nuraliev EY, Yarovaya EB, Ageev FT: Prognostic value of changes in arterial stiffness in men with coronary artery disease. *Vasc Health Risk Manag* 2010;6:1015–1021.
- 16 Matsui Y, Eguchi K, Shibasaki S, Ishikawa J, Hoshida S, Shimada K, Kario K: Impact of arterial stiffness reduction on urinary albumin excretion during antihypertensive treatment: the Japan Morning Surge-1 Study. *J Hypertens* 2010;28:1752–1760.
- 17 Hong SJ, Choi SC, Ahn CM, Park JH, Kim JS, Lim DS: Telmisartan reduces neointima volume and pulse wave velocity 8 months after zotarolimus-eluting stent implantation in hypertensive type 2 diabetic patients. *Heart* 2011;97:1425–1432.

- 18 Lee JY, Ryu S, Lee SH, Kim BJ, Kim BS, Kang JH, Cheong ES, Kim JY, Park JB, Sung KC: Association between brachial-ankle pulse wave velocity and progression of coronary artery calcium: a prospective cohort study. *Cardiovasc Diabetol* 2015;14:147.
- 19 Munakata M, Konno S, Miura Y, Yoshinaga K; J-TOPP Study Group: Prognostic significance of the brachial-ankle pulse wave velocity in patients with essential hypertension: final results of the J-TOPP study. *Hypertens Res* 2012;35:839–842.
- 20 Kawai T, Ohishi M, Onishi M, Ito N, Takeya Y, Maekawa Y, Rakugi H: Cut-off value of brachial-ankle pulse wave velocity to predict cardiovascular disease in hypertensive patients: a cohort study. *J Atheroscler Thromb* 2013;20:391–400.
- 21 Maeda Y, Inoguchi T, Etoh E, Kodama Y, Sasaki S, Sonoda N, Nawata H, Shimabukuro M, Takayanagi R: Brachial-ankle pulse wave velocity predicts all-cause mortality and cardiovascular events in patients with diabetes: the Kyushu Prevention Study of Atherosclerosis. *Diabetes Care* 2014;37:2383–2390.
- 22 Katakami N, Osonoi T, Takahara M, Saitou M, Matsuoka TA, Yamasaki Y, Shimomura I: Clinical utility of brachial-ankle pulse wave velocity in the prediction of cardiovascular events in diabetic patients. *Cardiovasc Diabetol* 2014;13:128.
- 23 Ninomiya T, Kojima I, Doi Y, Fukuhara M, Hirakawa Y, Hata J, Kitazono T, Kiyohara Y: Brachial-ankle pulse wave velocity predicts the development of cardiovascular disease in a general Japanese population: the Hisayama Study. *J Hypertens* 2013;31:477–483.
- 24 Takashima N, Turin TC, Matsui K, Rumana N, Nakamura Y, Kadota A, Saito Y, Sugihara H, Morita Y, Ichikawa M, Hirose K, Kawakani K, Hamajima N, Miura K, Ueshima H, Kita Y: The relationship of brachial-ankle pulse wave velocity to future cardiovascular disease events in the general Japanese population: the Takashima Study. *J Hum Hypertens* 2014;28:323–327.
- 25 Ishisone T, Koeda Y, Tanaka F, Sato K, Nagano M, Nakamura M: Comparison of utility of arterial stiffness parameters for predicting cardiovascular events in the general population. *Int Heart J* 2013;54:160–165.
- 26 Mitchell GF, Hwang SJ, Vasan RS, Larson MG, Pencina MJ, Hamburg NM, Vita JA, Levy D, Benjamin EJ: Arterial stiffness and cardiovascular events: the Framingham Heart Study. *Circulation* 2010;121:505–511.
- 27 Kim J, Song TJ, Song D, Lee KJ, Kim EH, Lee HS, Nam CM, Nam HS, Kim YD, Heo JH: Brachial-ankle pulse wave velocity is a strong predictor for mortality in patients with acute stroke. *Hypertension* 2014;64:240–246.
- 28 Sheng CS, Li Y, Li LH, Huang QF, Zeng WF, Kang YY, Zhang L, Liu M, Wei FF, Li GL, Song J, Wang S, Wang JG: Brachial-ankle pulse wave velocity as a predictor of mortality in elderly Chinese. *Hypertension* 2014;64:1124–1230.
- 29 Sugawara J, Tanaka H: Brachial-ankle pulse wave velocity: myths, misconceptions, and realities. *Pulse (Basel)* 2015;3:106–113.
- 30 Sugamata W, Nakamura T, Uematsu M, Kitta Y, Fujioka D, Saito Y, Kawabata K, Obata JE, Watanabe Y, Watanabe K, Kugiyama K: Combined assessment of flow-mediated dilation of the brachial artery and brachial-ankle pulse wave velocity improves the prediction of future coronary events in patients with chronic coronary artery disease. *J Cardiol* 2014;64:179–184.
- 31 Kitahara T, Ono K, Tsuchida A, Kawai H, Shinohara M, Ishii Y, Koyanagi H, Noguchi T, Matsumoto T, Sekihara T, et al: Impact of brachial-ankle pulse wave velocity and ankle-brachial blood pressure index on mortality in hemodialysis patients. *Am J Kidney Dis* 2005;46:688–696.
- 32 Tomiyama H, Koji Y, Yambe M, Shiina K, Motobe K, Yamada J, Shido N, Tanaka N, Chikamori T, Yamashina A: Brachial-ankle pulse wave velocity is a simple and independent predictor of prognosis in patients with acute coronary syndrome. *Circ J* 2005;69:815–822.
- 33 Morimoto S, Yurugi T, Aota Y, Sakuma T, Jo F, Nishikawa M, Iwasaka T, Maki K: Prognostic significance of ankle-brachial index, brachial-ankle pulse wave velocity, flow-mediated dilation, and nitroglycerin-mediated dilation in end-stage renal disease. *Am J Nephrol* 2009;30:55–63.
- 34 Meguro T, Nagatomo Y, Nagae A, Seki C, Kondou N, Shibata M, Oda Y: Elevated arterial stiffness evaluated by brachial-ankle pulse wave velocity is deleterious for the prognosis of patients with heart failure. *Circ J* 2009;73:673–680.
- 35 Miyano I, Nishinaga M, Takata J, Shimizu Y, Okumiya K, Matsubayashi K, Ozawa T, Sugiura T, Yasuda N, Doi Y: Association between brachial-ankle pulse wave velocity and 3-year mortality in community-dwelling older adults. *Hypertens Res* 2010;33:678–682.
- 36 Nakamura M, Yamashita T, Yajima J, Oikawa Y, Sagara K, Koike A, Kirigaya H, Nagashima K, Sawada H, Aizawa T: Brachial-ankle pulse wave velocity as a risk stratification index for the short-term prognosis of type 2 diabetic patients with coronary artery disease. *Hypertens Res* 2010;33:1018–1024.
- 37 Turin TC, Kita Y, Rumana N, Takashima N, Kadota A, Matsui K, Sugihara H, Morita Y, Nakamura Y, Miura K, et al: Brachial-ankle pulse wave velocity predicts all-cause mortality in the general population: findings from the Takashima study, Japan. *Hypertens Res* 2010;33:922–925.
- 38 Kato A, Takita T, Furuhashi M, Kumagai H, Hishida A: A small reduction in the ankle-brachial index is associated with increased mortality in patients on chronic hemodialysis. *Nephron Clin Pract* 2010;114:c29–c37.
- 39 Tanaka M, Ishii H, Aoyama T, Takahashi H, Toriyama T, Kasuga H, Takeshita K, Yoshikawa D, Amano T, Murohara T: Ankle brachial pressure index but not brachial-ankle pulse wave velocity is a strong predictor of systemic atherosclerotic morbidity and mortality in patients on maintenance hemodialysis. *Atherosclerosis* 2011;219:643–647.

- 40 Yoshida M, Mita T, Yamamoto R, Shimizu T, Ikeda F, Ohmura C, Kanazawa A, Hirose T, Kawamori R, Watada H: Combination of the Framingham risk score and carotid intima-media thickness improves the prediction of cardiovascular events in patients with type 2 diabetes. *Diabetes Care* 2012;35:178–180.
- 41 Inoue T, Ogawa T, Ishida H, Ando Y, Nitta K: Aortic arch calcification evaluated on chest X-ray is a strong independent predictor of cardiovascular events in chronic hemodialysis patients. *Heart Vessels* 2012;27:135–142.
- 42 Chang LH, Lin HD, Kwok CF, Won JG, Chen HS, Chu CH, Hwu CM, Kuo CS, Jap TS, Shih KC, Lin LY: The combination of the ankle brachial index and brachial ankle pulse wave velocity exhibits a superior association with outcomes in diabetic patients. *Intern Med* 2014;53:2425–2431.
- 43 Yoon HE, Shin DI, Kim SJ, Koh ES, Hwang HS, Chung S, Shin SJ: Brachial-ankle pulse wave velocity predicts decline in renal function and cardiovascular events in early stages of chronic kidney disease. *Int J Med Sci* 2013;10:1430–1436.