

Computational Complexity Analysis of Set Membership Identification of a class of Nonlinear Systems.

Mario Sznaier

Electrical and Comp. Engineering Department
Northeastern University Boston, MA 02115.
email: msznaier@ece.neu.edu

Abstract—This paper analyzes the computational complexity of set membership identification of a class of nonlinear systems consisting of the interconnection of a Linear Time Invariant plant and a static nonlinearity. Its main result shows that, even in cases where a portion of the plant is known, the problem is generically NP-hard both in the number of experimental data points and in the number of inputs or outputs of the nonlinearity. These results provide new insight into the reasons underlying the high computational complexity of several recently proposed algorithms and point out to the need for developing computationally tractable relaxations.

I. INTRODUCTION

Set membership identification of nonlinear systems consisting of the interconnection of a memoryless, static nonlinearity and a Linear Time Invariant (LTI) plant has received considerable attention in the past decade (see for instance [1], [2], [3], [5], [6], [7], [8], [9], [10], [11], [12], [13], [16], [17], [21] and references therein). These methods are attractive since they furnish hard bounds on the values of the unknown parameters of the plant, in a form that can be directly used for instance by robust control synthesis techniques. However, the resulting algorithms typically have high computational complexity (entailing for instance solving an optimization over rank one matrices [7], non-convex optimization problems [6], or a combinatorial number of Linear Programs [2]), or require assuming both that several intermediate signals are available for measurement and that portions of the plant are known [9], [10], [11], [13].

The goal of this paper is to shed some insight into the reasons underlying this high computational complexity. As shown here, this is an intrinsic difficulty of the general framework, rather than a feature of specific approaches. Our main result shows that, contrary to the case of *linear identification*, the problem of set-membership identification of Lur'e type systems consisting of the interconnection of a memoryless nonlinearity and a Linear Time Invariant Plant is generically NP-hard in both the dimension of the nonlinearity, and in the number of experiments, *even* when a portion of the system is known. It follows that nonlinear identification is an intrinsically difficult problem, even in cases involving relatively simple structures, such as Wiener or Hammerstein systems, and partially known elements.

This work was supported in part by NSF grants ECS-0648054, IIS-0713003, and AFOSR grant FA9550-05-1-0437.

Hence, the need to develop polynomial time relaxations, such as the ones in [7], [2], [6], [14], [19] or to assume the availability of intermediate signals [9], [10], [11]. In addition, these results also highlight a connection between high computational complexity and non-invertibility of the static nonlinearity.

II. PRELIMINARIES

In this section we introduce the notation used in the paper and precisely state the problem under consideration:

A. Notation

Z, R, C set of integer, real, complex numbers, respectively

$\bar{\sigma}(\mathbf{A})$ maximum singular value of the matrix \mathbf{A} .
 ℓ^p extended Banach space of vector valued real sequences equipped with the norm:

$$\|x\|_p \doteq \left(\sum_{i=0}^{\infty} \|x_i\|^p \right)^{\frac{1}{p}},$$

\mathcal{H}_{∞} $p \in [1, \infty)$ and $\|x\|_{\infty} \doteq \sup_i \|x_i\|_{\infty}$.
space of transfer functions analytic in $|z| \leq 1$, equipped with the norm $\|G\|_{\infty} \doteq \text{ess sup}_{|z| < \rho} \bar{\sigma}(G(z))$.

$\bar{\mathcal{B}}\mathcal{H}_{\infty}(\gamma)$ closed γ -ball in \mathcal{H}_{∞} : $\{H \in \mathcal{H}_{\infty} : \|H\|_{\infty} \leq \gamma\}$.

B. Problem Statement

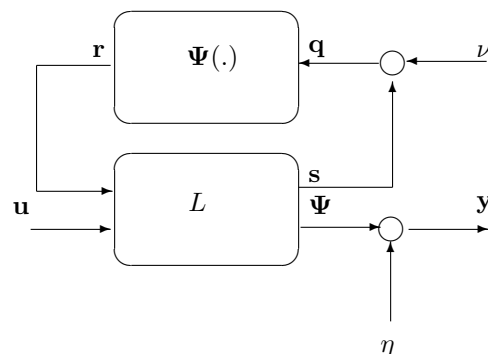


Fig. 1. Lur'e Systems Identification Setup

In this paper we are interested in analyzing the computational complexity analysis of the problem of set membership

identification of Lur'e systems using time-domain data. Specifically, we will consider systems of the form shown in Figure 1 consisting of the interconnection of a LTI system L and a memoryless nonlinearity $\Psi(\cdot)$. The corresponding equations are given by:

$$\begin{aligned} \begin{bmatrix} \mathbf{q}_k \\ \mathbf{y}_k \end{bmatrix} &= (\mathbf{L} * \begin{bmatrix} r \\ u \end{bmatrix})_k + \begin{bmatrix} \nu_k \\ \eta_k \end{bmatrix} \\ \mathbf{r}_k &= \Psi(\mathbf{q}_k) \end{aligned} \quad (1)$$

where $*$ denotes convolution and the signals $\mathbf{u} \in R^{n_u}$ and $\mathbf{y} \in R^{n_y}$ represent the experimental data: a known finite input sequence and its corresponding output sequence, corrupted by unknown but norm-bounded measurement noise η . Note that in general the intermediate signals $\mathbf{s} \in R^{n_p}$ (the output of the LTI system), ν (noise at the input to the nonlinearity) and \mathbf{r} , the output of the nonlinearity, are, in general, not measurable. In this context, the set membership nonlinear identification problem of interest here can be stated as:

Problem 1: Given: (i) *a priori* information consisting of a set membership description of the admissible plants, nonlinearities and noise, $\mathcal{S}, \mathcal{NL}, \mathcal{N} \doteq \mathcal{N}_\eta \times \mathcal{N}_\nu$, respectively, and (ii) *a posteriori* experimental data $\{\mathbf{y}_k, \mathbf{u}_k\}_{k=0}^{n_m-1}$, determine:

- 1) if the *a priori* and *a posteriori* information are consistent, i.e., the consistency set

$$\mathcal{T}(\mathbf{y}, n_m, \mathcal{N}) \doteq \{L \in \mathcal{S}:$$

$$y_k = \left[\mathcal{F}_u(L, \Psi) \left(\begin{bmatrix} \nu \\ \mathbf{u} \end{bmatrix} \right) \right]_k + \eta_k,$$

for some $\Psi \in \mathcal{NL}$

and some sequences $(\nu_k, \eta_k) \in \mathcal{N}$,
 $k = 0, 1, \dots, n_m - 1.$

(2)

is nonempty.

- 2) If $\mathcal{T}(\mathbf{y}, n_m, \mathcal{N}) \neq \emptyset$, find a nominal model $\{L, \Psi(\cdot)\}$ that interpolates the experimental data¹

In particular, in its simplest form the set description of the admissible set of linear plants and noise are (see for instance [14]) $\mathcal{S} \doteq \mathcal{BH}_\infty(K)$, $\mathcal{N}_\eta \doteq \{\eta: \|\eta_k\|_p \leq \epsilon_\eta\}$, and $\mathcal{N}_\nu \doteq \{\nu: \|\nu_k\|_p \leq \epsilon_\nu\}$, for some known constants K , ϵ_η , ϵ_ν .

III. BACKGROUND RESULTS ON COMPUTATIONAL COMPLEXITY

In order to establish that Problem 1 is NP-hard, we need the following preliminary results concerning the computational complexity of two decision problems:

Lemma 1 ([15]): Given a vector $\mathbf{a} \in Z^n$, the problem of determining if there exists a vector \mathbf{x} , $|x_i| = 1$ such that $\mathbf{a}^T \mathbf{x} = 0$ (the knapsack problem) is NP-complete.

Lemma 2 ([4], page 307): For a given vector $\mathbf{a} \in Z^n$, there exists a polynomial time computable $(2n+1) \times (2n+1)$ symmetric matrix \mathbf{A}_a and a polynomial time computable

number $\epsilon_a \in (0, 1)$ such that $\max_{\mathbf{v}_1, \mathbf{v}_2 \in D^{2n+1}} |\mathbf{v}_1^T \mathbf{A}_a \mathbf{v}_2| = 1$ if there exists a solution $\mathbf{x} \in \{-1, 1\}^n$ to $\mathbf{a}^T \mathbf{x} = 0$, and is less than or equal to $1 - \epsilon_a$ otherwise.

Corollary 1: The problem of checking whether $\max_{\mathbf{v}_1, \mathbf{v}_2 \in D^{2n+1}} |\mathbf{v}_1^T \mathbf{A}_a \mathbf{v}_2| > 1 - \frac{\epsilon_a}{2}$ is NP-hard, since the knapsack problem can be reduced to it in polynomial time.

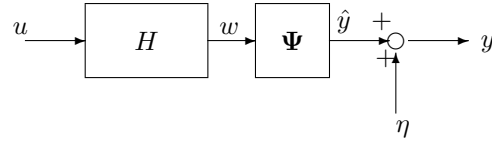


Fig. 2. Wiener System Structure

The results above can be used to establish the following results concerning the computational complexity of two identification problems:

Lemma 3: [20] Consider the Wiener system structure shown in Figure 2, with a quadratic nonlinearity of the form $\hat{y} = \mathbf{w}^T \mathbf{A} \mathbf{w}$, where \mathbf{A} is a known, given matrix. Assume that $\mathcal{N} \doteq \{\eta: \|\eta_k\|_\infty \leq \epsilon\}$. Then

- (i) The problem of identifying $H(\cdot)$ is NP hard in $n \doteq \max\{\text{number of inputs, number of outputs}\}$ to H , the linear portion of the plant.
- (ii) The problem of identifying $H(\cdot)$ is NP hard in the number of experimental data pairs (\mathbf{y}, \mathbf{u}) .

Proof: The proof proceeds by showing that the decision problem of Corollary 1 can be reduced in polynomial time to a Wiener identification problem with a quadratic nonlinearity (see [20] for details). ■

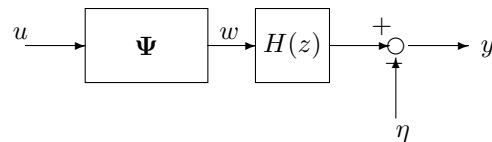


Fig. 3. Hammerstein System Structure

Lemma 4: [20] Consider a Hammerstein system structure of the form shown in Figure 3, with $H(z)$ known and $\mathcal{N} \doteq \{\eta: \|\eta_k\|_\infty \leq \epsilon\}$. Then:

- (i) For a set description of the nonlinearity of the form

$$\begin{aligned} \mathcal{NL} &= \{\Psi: \Psi = \sum_{i=1}^n x_i \psi_i(u), |x_i| = 1 \\ \text{where: } \psi_i(u) &= \begin{cases} 1 & i-1 \leq u < i \\ 0 & \text{otherwise} \end{cases} \end{aligned} \quad (3)$$

the problem of identifying $\Psi(\cdot)$ is NP hard in the number of experimental data pairs (\mathbf{y}, \mathbf{u}) .

- (ii) For a set description of the nonlinearity of the form

$$\begin{aligned} \mathcal{NL} &= \{\Psi: \Psi = [\psi_1(\cdot), \dots, \psi_n(\cdot)]^T, \\ \psi_i &= x_i \text{sign}(u), |x_i| = 1 \end{aligned} \quad (4)$$

the problem of identifying $\Psi(\cdot)$ is NP hard in the number of inputs to $H(\cdot)$, the linear portion of the plant.

¹If $\mathcal{T} = \emptyset$, then the experimental data $\{\mathbf{y}, \mathbf{u}\}$ invalidates the *a priori* assumptions about the class of models and noise, that is, the experimental data cannot be explained by models in these sets.

Proof: The proof proceeds by showing that the knapsack problem of Lemma 1 can be reduced in polynomial time to a Hammerstein identification problem with nonlinearities of the form (3) or (4) (see [20] for details). ■

IV. COMPUTATIONAL COMPLEXITY ANALYSIS OF SET MEMBERSHIP IDENTIFICATION OF LUR'E TYPE SYSTEMS

With the results above, we can now establish the main result of this paper:

Theorem 1: The problem of set membership identification of Lur'e type systems of the form (1) is generically NP hard both in the number of experimental data pairs (\mathbf{y}, \mathbf{u}) and the number of inputs/outputs of the static nonlinearity $\Psi(\cdot)$, even in cases where either $L(\cdot)$, the linear portion of the plant, or $\Psi(\cdot)$, the static nonlinearity, are known.

Proof: For the known nonlinearity case, choose in (1) a quadratic nonlinearity, $\epsilon_\nu = 0$, and a linear plant L of the form:

$$L = \begin{pmatrix} \mathbf{0} & \mathbf{H} \\ \mathbf{I} & \mathbf{0} \end{pmatrix} \quad (5)$$

and apply Lemma 3. For the known linear plant case, select an unknown nonlinearity of the form (3) or (4), $\epsilon_\nu = 0$, and L of the form:

$$L = \begin{pmatrix} \mathbf{0} & \mathbf{I} \\ \mathbf{H} & \mathbf{0} \end{pmatrix} \quad (6)$$

and apply Lemma 4. ■

V. CONCLUSIONS

This paper shows that the problem of set membership identification of Lur'e type systems is generically NP-hard, even in cases where a portion of the plant is known exactly. These results highlight the fact that, as opposed to the case of *linear identification*, these problems are intrinsically difficult, shedding some insight into the high computational cost of existing approaches and pointing out to the need to search for computationally tractable relaxations. An interesting feature borne out by the analysis presented here is the key role played by the non-invertibility of the nonlinearity in reducing the knapsack problem to a Lur'e type identification and thus establishing that the problems are NP-hard. Thus, the issue of whether these problem are NP-hard in the case of *invertible* nonlinearities is still open.

REFERENCES

- [1] G. Belforte and P. Gay, "Discrete time Hammerstein model identification with unknown but bounded errors," *IEE Proceedings control theory and applications*, 148, pp. 523-529, 2001.
- [2] V. Cerone and D. Regruto, "Parameter bounds for discrete time Hammerstein models with bounded output errors," *IEEE Trans. Autom. Control*, 48,10, pp. 1855-1860, 2003.
- [3] V. Cerone and D. Regruto, "Bounding the Parameters of Linear Systems With Input Backlash," *IEEE Trans. Aut. Contr.*, 52, 3, pp. 531-536, 2007.
- [4] J. Chen and G. Gu, *Control-oriented System Identification : an \mathcal{H}_∞ Approach*, John Wiley & Sons, New York, 2000.
- [5] M. Claassen, E. Wemhoff, A. Packard and K. Poolla, "On the identifiability of nonlinear maps in a general interconnected system," *Proceedings of the 39th IEEE Conference on Decision and Control*, 2000, pp. 1248-1253.
- [6] P. Faluji, L. Giarre, and G. Zappa, "Approximation of the feasible parameter set in worst case identification of Hammerstein models," *Automatica*, 41(6), 2005.
- [7] A. Garulli, L. Giarre, and G. Zappa, "Identification of approximated Hammerstein models in a worst case setting," *IEEE Trans. Aut. Contr.*, 47(12):2046-2050, 2002.
- [8] L. El Ghaoui and G. Calafiore, "Worst-case state prediction under structured uncertainty," *1999 American Controls Conference*, San Diego, CA, 1999.
- [9] K. Hsu, M. Claassen, C. Novara, P. Khargonekar, M. Milanese, and K. Poolla, "Nonparametric identification of static nonlinearities in a general interconnected system," *Proceedings of the 16th IFAC World Congress*, Prague, Czech Republic, 2005.
- [10] K. Hsu, T. Vincent, C. Novara, M. Milanese, and K. Poolla, "Identification of nonlinear maps in interconnected systems," *Proceedings of the 44th Conference on Decision and Control*, Seville, Spain, 2005.
- [11] K. Hsu, T. Vincent, K. Poolla, "Robust Structured Nonlinear System Identification," *45th Conference on Decision and Control*, San Diego, CA, 2006, pp.2518-2522.
- [12] R. Kosut, M. Lau, and S. Boyd, "Identification of systems with parametric and nonparametric uncertainty," *IEEE Trans. Aut. Contr.*, 37, 7, pp. 929-941, 1992.
- [13] J. Krause and P. Khargonekar, "Parameter identification in the presence of nonparametric dynamic uncertainty," *Automatica*, vol. 26, pp. 113-124, 1990.
- [14] W. Ma, H. Lim, M. Sznaier, and O. Camps, "Risk Adjusted Identification of Wiener Systems," *Proceedings of the 45 IEEE Conf. Decision and Control*, San Diego, CA, Dec. 2006.
- [15] S. Martello and P. Toth, "Algorithms for knapsack problems," In *Surveys in Combinatorial Optimization*, S. Martello, Editor, Annals of Discrete Mathematics, Vol 31, pp. 213-258, 1987.
- [16] M. Milanese and A. Vicino, "Optimal estimation theory for dynamic systems with set membership uncertain: An overview," *Automatica*, pp. 997-1009, 1991.
- [17] R. Smith and J. Doyle, "Towards a methodology for robust parameter identification," *1990 American Controls Conference*, San Diego, CA, 1990.
- [18] M. Sznaier and O. Camps, "The role of control in computer vision and image processing," *J. SICE, Special Issue on Control Theoretic Principles in Emerging Technologies*, pages 206-214, 2007.
- [19] M. Sznaier, C. Lagoa, and W. Ma, "Risk adjusted identification of a class of nonlinear systems," In *Proc. 46 IEEE Conf. Dec. Control*, pages 5117-5122, Dec. 2007.
- [20] M. Sznaier, "Computational Complexity Analysis of Set Membership Identification of Hammerstein and Wiener Systems," *Automatica*, to appear.
- [21] E. Wemhoff, A. Packard, and K. Poolla, "On the identification of nonlinear maps in a general interconnected system," *1999 American Controls Conference*, San Diego, CA, 1999.