



SUBJECT AREAS:
 QUANTUM INFORMATION
 INFORMATION THEORY AND COMPUTATION
 INFORMATION TECHNOLOGY
 COMPUTER SCIENCE

CORRIGENDUM: Fault-tolerant quantum computation with a soft-decision decoder for error correction and detection by teleportation

Hayato Goto & Hironori Uchikawa

The Supplementary Information of this Article contains errors. The physical-qubit interchanges are unnecessary in Figures S9 and S10. The correct Figures S9 and S10 appear below as Figures 1 and 2 respectively. In addition the figure legends of S9 and S10 should not contain the sentence "The qubit interchanges after the Hadamard gates come from the definition of the encoded Hadamard gate (see Fig. S1a)". Corresponding to this correction, in both the hard- and soft-decision decoding algorithms, the definition of the logical X gate, instead of the logical Z gate, is used for $\{m_{zj}; j=1, 2, \frac{1}{4}, 12\}$.

In addition the equations for the relative probabilities for $R_1^{(1)}(d_{x1}, d_{x2}, d_{z1}, d_{z2})$ and $R^{(2)}(d'_{x1}, d'_{x2}, d'_{z1}, d'_{z2})$ in Section IIIC ("Soft-decision decoding algorithm") contain errors.

SCIENTIFIC REPORTS:

3 : 2044

DOI: 10.1038/srep02044
 (2013)

Published:
 20 June 2013

Updated:
 22 May 2015

In $R_1^{(1)}(d_{x1}, d_{x2}, d_{z1}, d_{z2})$:

$$\delta[l_{z1} + l_{z3} = d_{z1}] \delta[l_{z3} + l_{z4} = d_{z2}],$$

should read

$$\delta[l_{z1} + l_{z2} = d_{z1}] \delta[l_{z2} + l_{z4} = d_{z2}],$$

And in $R^{(2)}(d'_{x1}, d'_{x2}, d'_{z1}, d'_{z2})$:

$$\begin{aligned} &\times \delta[d_{x1} + d_{x3} + d_{x4} = d'_{x1}] \delta[d_{x4} + d_{x5} = d'_{x2}] \\ &\times \delta[d_{z1} + d_{z3} + d_{z4} = d'_{z1}] \delta[d_{z4} + d_{z5} = d'_{z2}]. \end{aligned}$$

should read

$$\begin{aligned} &\times \delta[d_{x3} + d_{x4} + d_{x6} = d'_{x1}] \delta[d_{x4} + d_{x5} = d'_{x2}] \\ &\times \delta[d_{z2} + d_{z3} = d'_{z1}] \delta[d_{z1} + d_{z3} + d_{z4} = d'_{z2}], \end{aligned}$$

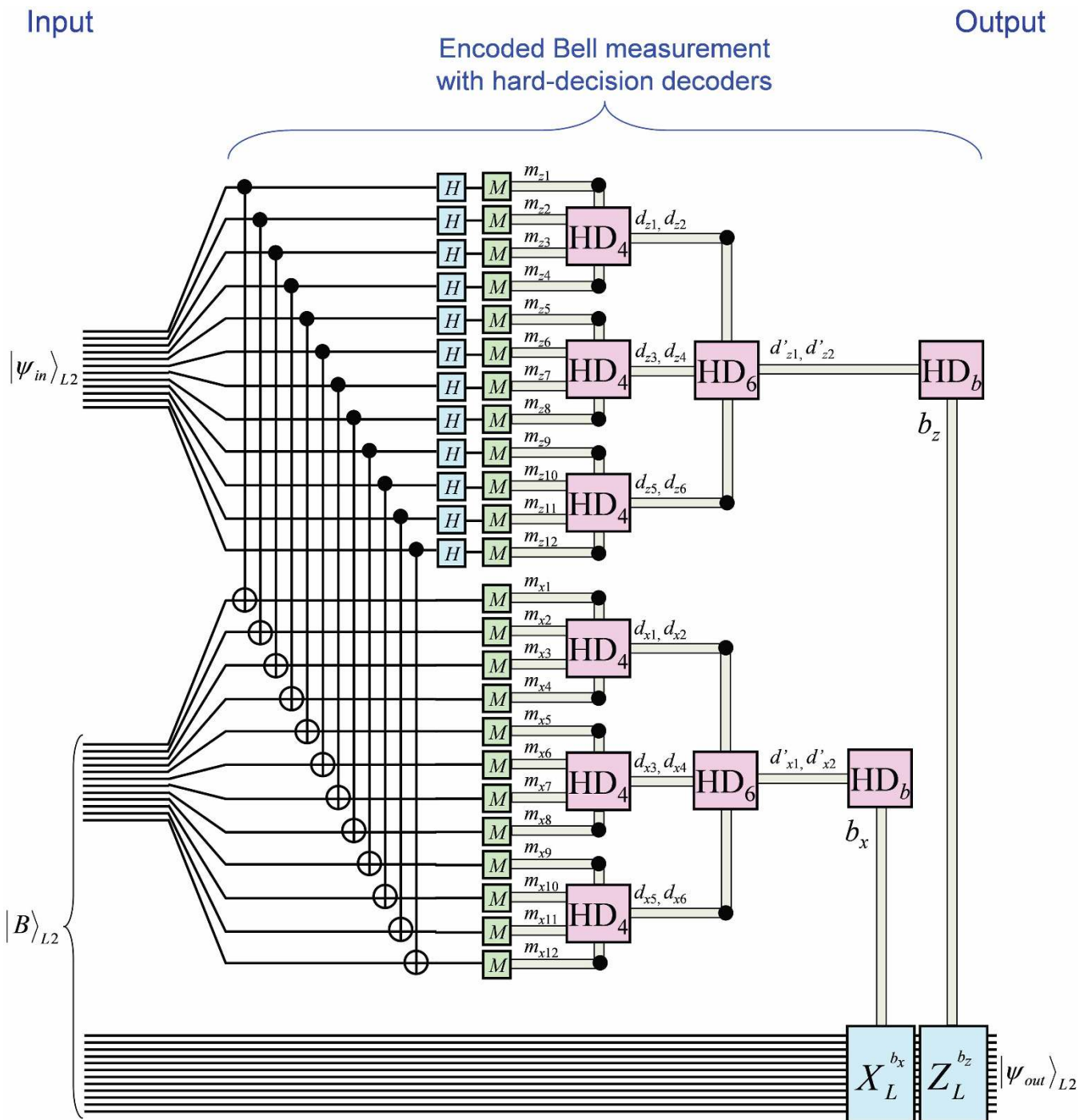


Figure 1 |



Input

Output

Encoded Bell measurement with soft-decision decoders

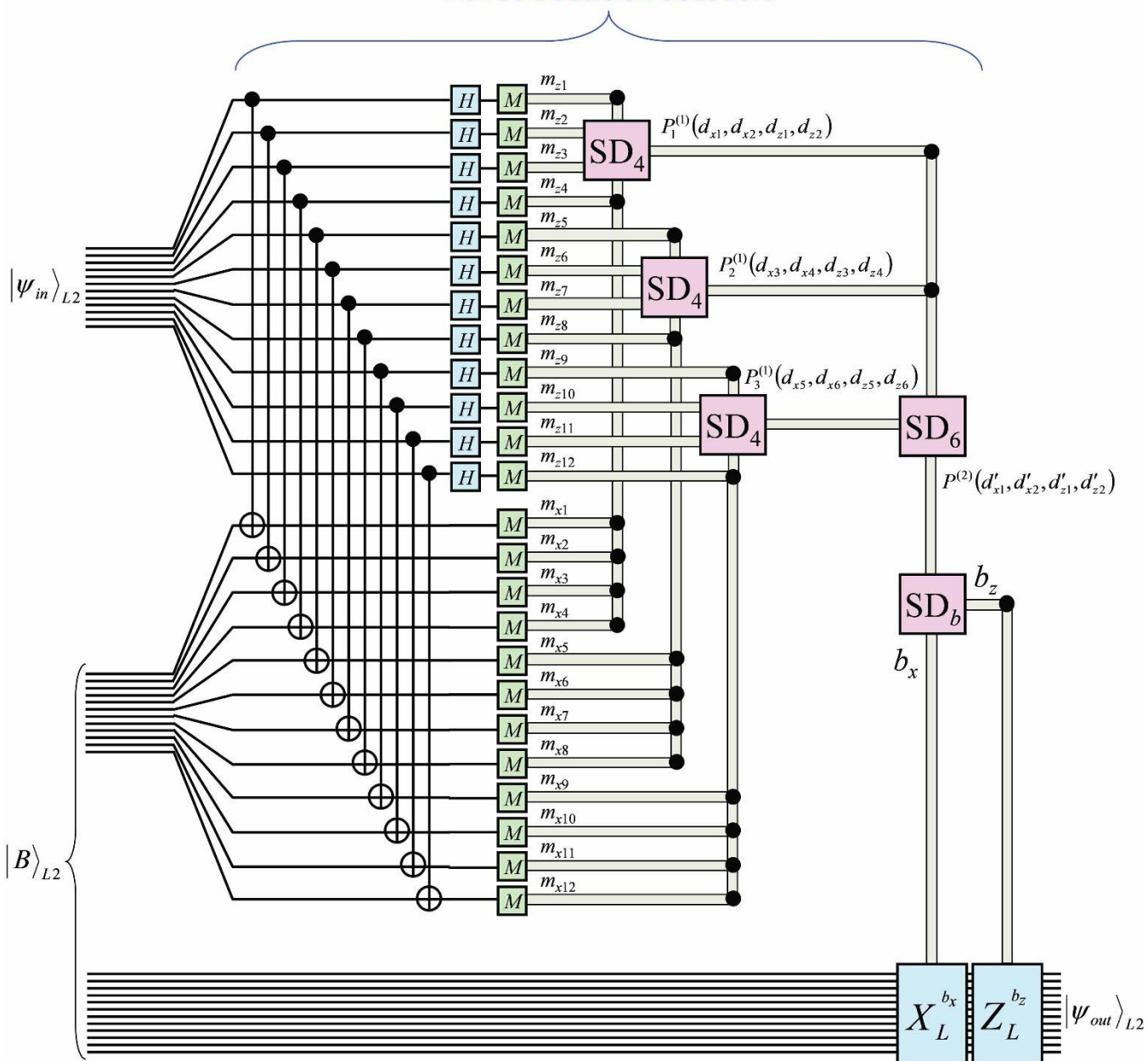


Figure 2 |

SCIENTIFIC REPORTS

OPEN **Erratum: CORRIGENDUM: Fault-tolerant quantum computation with a soft-decision decoder for error correction and detection by teleportation**

Hayato Goto & Hironori Uchikawa

Correction to: *Scientific Reports* <https://doi.org/10.1038/srep05771>; published online 20 June 2013; updated 23 March 2018

The original version of this Article contained a typographical error in the volume number '5' was incorrectly given as '4'. This error has now been corrected in the PDF and HTML versions of the Article.



This work is licensed under a Creative Commons Attribution 4.0 International License. The images or other third party material in this article are included in the article's Creative Commons license, unless indicated otherwise in the credit line; if the material is not included under the Creative Commons license, users will need to obtain permission from the license holder to reproduce the material. To view a copy of this license, visit <http://creativecommons.org/licenses/by/4.0/>

© The Author(s) 2018