

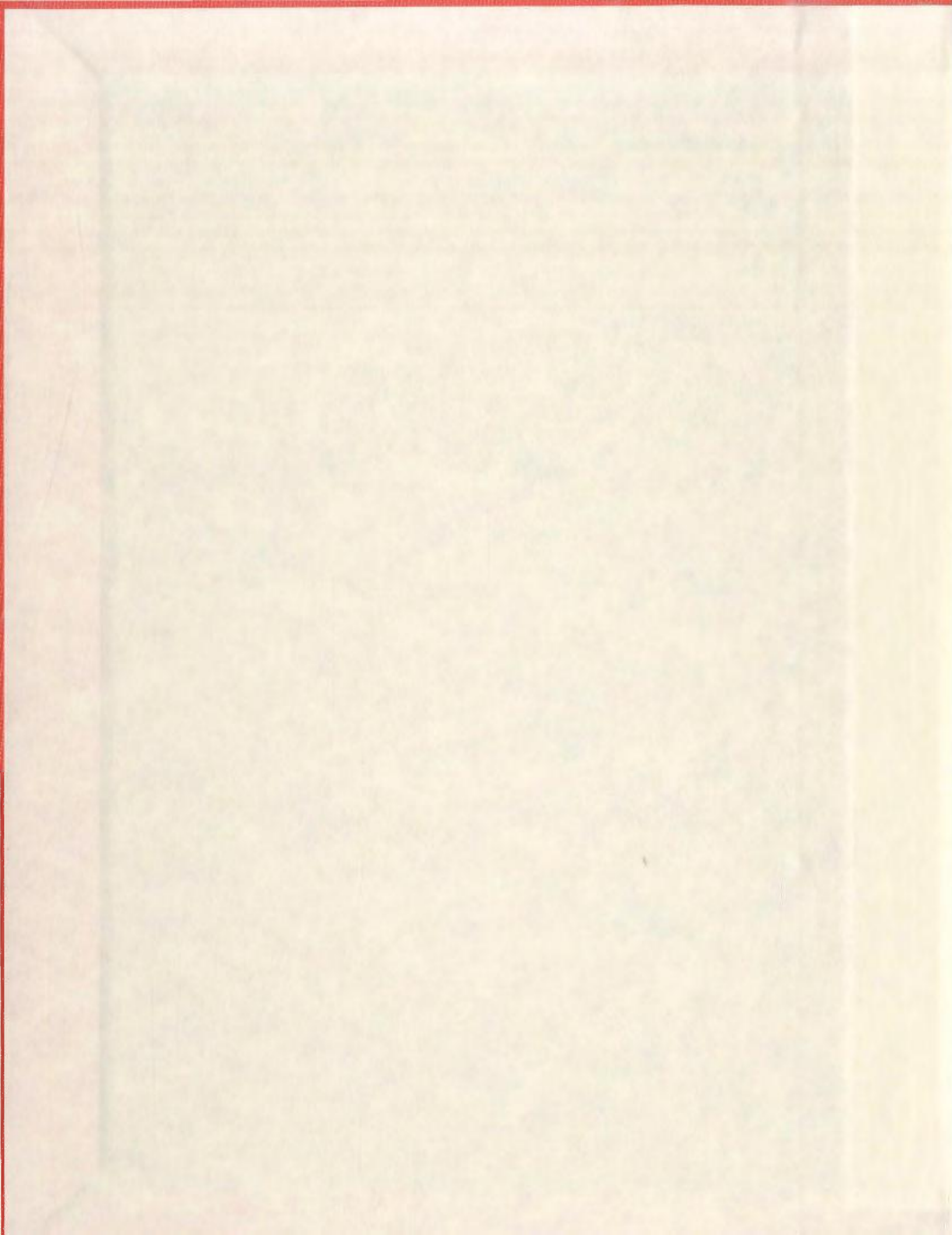
DESIGN AND FABRICATION OF A COLLECTIVE
AND CYCLIC PITCH PROPELLER

CENTRE FOR NEWFOUNDLAND STUDIES

**TOTAL OF 10 PAGES ONLY
MAY BE XEROXED**

(Without Author's Permission)

T. CHARLES HUMPHREY



Design and Fabrication of
A Collective and Cyclic Pitch Propeller

by

© T. Charles Humphrey

A thesis submitted to the Council of Graduate Studies
in partial fulfillment of the requirements for the degree of
Master of Engineering

Design and Manufacturing Engineering
Memorial University of Newfoundland

July 2005



Design and Fabrication of A Collective and Cyclic Pitch Propeller

by

© T. Charles Humphrey

A thesis submitted to the School of Graduate Studies

In partial fulfillment of the requirements for the degree of

Master of Engineering

Ocean and Naval Architectural Engineering
Memorial University of Newfoundland

July 2005





Library and
Archives Canada

Bibliothèque et
Archives Canada

Published Heritage
Branch

Direction du
Patrimoine de l'édition

0-494-15558-2

395 Wellington Street
Ottawa ON K1A 0N4
Canada

395, rue Wellington
Ottawa ON K1A 0N4
Canada

Your file *Votre référence*

ISBN:

Our file *Notre référence*

ISBN:

NOTICE:

The author has granted a non-exclusive license allowing Library and Archives Canada to reproduce, publish, archive, preserve, conserve, communicate to the public by telecommunication or on the Internet, loan, distribute and sell theses worldwide, for commercial or non-commercial purposes, in microform, paper, electronic and/or any other formats.

The author retains copyright ownership and moral rights in this thesis. Neither the thesis nor substantial extracts from it may be printed or otherwise reproduced without the author's permission.

AVIS:

L'auteur a accordé une licence non exclusive permettant à la Bibliothèque et Archives Canada de reproduire, publier, archiver, sauvegarder, conserver, transmettre au public par télécommunication ou par l'Internet, prêter, distribuer et vendre des thèses partout dans le monde, à des fins commerciales ou autres, sur support microforme, papier, électronique et/ou autres formats.

L'auteur conserve la propriété du droit d'auteur et des droits moraux qui protègent cette thèse. Ni la thèse ni des extraits substantiels de celle-ci ne doivent être imprimés ou autrement reproduits sans son autorisation.

In compliance with the Canadian Privacy Act some supporting forms may have been removed from this thesis.

Conformément à la loi canadienne sur la protection de la vie privée, quelques formulaires secondaires ont été enlevés de cette thèse.

While these forms may be included in the document page count, their removal does not represent any loss of content from the thesis.

Bien que ces formulaires aient inclus dans la pagination, il n'y aura aucun contenu manquant.


Canada

Abstract

Autonomous underwater vehicle propulsion has been primarily driven by conventional thruster arrangements and control fins. The development of a collective and cyclic pitch propeller system provides a highly maneuverable alternative to these conventional designs. Therefore, a computer controlled and fully actuated collective and cyclic pitch propeller was designed and fabricated to fulfill this need.

The new propeller was designed using a helicopter like linkage system. The swash plates mounted inside of the propeller housing, as opposed to propeller hub like a helicopter. Locating the linkages in the housing provided a more maintainable system of linkages, due to space limitations in the propeller hub. The swash plate was positioned using three ball screw electric actuators using absolute positioning feedback. The swash plate position was transmitted to the propeller hub by a set of four control rods, one for each blade. Four blades were chosen for the propeller to reduce pulsing of the propeller when operating in cyclic mode.

Initial testing of the prototype demonstrates the propeller's potential ability to control the underwater vehicle at little or no forward speed. While operating in the 50% ahead, 100% to port condition, a thrust value of 26.7 N (6 lbf) with a turning moment of 18.9 Nm (168 in-lb) was measured. The turning moment generated at a forward speed of 1.6 m/s was sufficient to turn the C-SCOUT vehicle in 38% of the present required turning circle using a conventional thruster and control fins.

Acknowledgments

Working on this project and writing this thesis was an enjoyable and rewarding experience. Many individuals made the completion of this project possible. I would like to thank Dr. Neil Bose and Dr. Christopher Williams for all of the assistance, suggestions and supervision they have given throughout this project. I would also like to thank NSERC for their sponsorship of this project through a Strategic Project Grant and a PGS-A scholarship. Without this monetary contribution this project would never have made it past the design stage. I would like to thank Mr. Leo Spurrell and all of the people in the machine shop for their amazing work on the construction of the prototype propeller.

To my many colleagues who helped me with the various aspects of the project, I thank you for all of your assistance. A special thanks to Martin Ordonez and Michael Snow for all of their help on the electronics required to make this project work.

Finally I would like to thank the people whose help is often taken for granted, but without whose contributions this project would not have been possible. To my parents, thank you for all of your support throughout my academic career. To my wife Trisha, thank you for moving to Newfoundland to allow me the opportunity to study underwater vehicles.

Table Of Contents

1.	Introduction	1-1
2.	Literature Review	2-8
2.1	Introduction	2-8
2.2	Development of Cyclic Control.....	2-9
2.3	Analysis of Helicopter Rotors.....	2-10
2.4	Haselton Cyclic Pitch Propeller (1965 Patent)	2-12
2.4.1	Introduction.....	2-12
2.4.2	Claims.....	2-13
2.5	Haselton Cyclic Pitch Propeller (1966 Patent)	2-14
2.5.1	Introduction.....	2-14
2.5.2	Claims.....	2-15
2.6	Haselton Cyclic Pitch Propeller (1969 Patent)	2-15
2.6.1	Introduction.....	2-15
2.6.2	Claims.....	2-16
2.7	Reich Cyclic Pitch Propeller (1990 Patent)	2-16
2.7.1	Introduction.....	2-16
2.7.2	Claims.....	2-17
2.8	Paterson Cyclic Pitch Propeller (1991 Patent).....	2-17
2.8.1	Introduction.....	2-17
2.8.2	Claims.....	2-18
2.9	Schneider Cyclic Pitch Propeller (1993 Patent)	2-18
2.9.1	Introduction.....	2-18
2.9.2	Claims.....	2-19
2.10	Other Cyclic Pitch Propeller Technology.....	2-19
2.11	Conclusions from Patent Analysis	2-20
2.12	Papers on Cyclic Pitch Propellers.....	2-21
2.13	Bijleveld Cyclic Pitch Propeller.....	2-22
3.	Theory Related To Design.....	3-24
3.1	Introduction	3-24
3.2	Swash Plate Mechanics.....	3-24
3.3	Airfoil Theory.....	3-30
3.3.1	Lift of Foils	3-30
3.3.2	Drag on Foils	3-32
3.3.3	Thrust and Torque	3-34
3.4	Blade Geometry.....	3-37
3.4.1	Blade Rake	3-37
3.4.2	Blade Number.....	3-39
3.4.3	Blade Shape	3-41

3.4.4	Final Blade Geometry	3-42
3.5	Thrust Predictions	3-42
3.6	C – SCOUT Drag Curve	3-44
4.	Design Concepts.....	4-46
4.1	Introduction	4-46
4.2	Design Parameters	4-46
4.3	Piston Pump Design	4-47
4.4	Concentric Shaft Design	4-49
4.5	Hub Mounted Mechanism	4-50
4.6	Hull Mounted Mechanism	4-52
4.7	Linkage Concepts	4-54
4.8	Shaft Seals	4-55
5.	Selected Design – Mechanical System	5-57
5.1	Introduction	5-57
5.2	Design Methodology	5-57
5.3	Drive Shaft Development.....	5-58
5.4	Component Selection.....	5-60
5.4.1	Rod End Bearings.....	5-61
5.4.2	Swash Plate Spherical Bearing	5-62
5.4.3	Radial Bearings	5-63
5.4.4	Mechanical Seal	5-64
5.4.5	Actuators	5-66
5.4.6	Main Motor Selection	5-67
5.5	Sectioned General Arrangement	5-69
5.6	Assembly Considerations	5-71
5.7	Parametric Model Development.....	5-72
5.7.1	Shaft Line	5-72
5.7.2	Swash Plate.....	5-74
5.7.3	Propeller Hub.....	5-76
5.7.4	Pressure Housing	5-78
5.7.5	Main Bearings.....	5-80
5.7.6	Main Motor Mounting.....	5-81
5.8	Design Verification.....	5-82
5.9	Fabrication	5-83
5.9.1	Drawing Development	5-83
5.9.2	Fabrication Techniques	5-84
5.9.3	Problems and Solutions.....	5-85
6.	Selected Design – Electrical System.....	6-90
6.1	Introduction	6-90
6.2	Main Motor Controller	6-91
6.3	Actuator Controller.....	6-97

6.4	Power Distribution.....	6-99
6.4.1	Main Power System.....	6-100
6.4.2	Control System Power	6-101
6.5	Signal Conditioning.....	6-102
6.6	Main Processing Unit.....	6-103
7.	Control Algorithm Development.....	7-106
7.1	Introduction.....	7-106
7.2	Test Procedure	7-106
7.3	Test Matrix Development.....	7-107
7.4	Generation of Equations	7-109
8.	Initial Testing And Results	8-113
8.1	Introduction.....	8-113
8.2	Data Collection	8-113
8.3	Test Setup	8-117
8.3.1	Data Acquisition and Control	8-119
8.3.2	Propeller Operation.....	8-120
8.4	Data Collection	8-121
8.5	Data Analysis.....	8-121
8.5.1	Smoothing Algorithm	8-122
8.5.2	Data Rotation.....	8-124
8.5.3	Plotting of Results.....	8-126
8.6	Results for Test 1 (Ahead / Astern).....	8-126
8.7	Results for Test 2 (Surface / Dive).....	8-133
8.8	Results for Test 3 (Ahead 50%, Left to Right 100%)	8-144
8.9	Calculated Values for K_T and K_Q at Bollard Conditions	8-148
9.	Conclusions and Recommendations	9-156
9.1	Conclusions	9-156
9.2	Recommendations.....	9-158
	Bibliography	161

List Of Tables

Table 4.1: Constraints and Criteria.....	4-47
Table 5.1: General Arrangement System Color Codes	5-71
Table 6.1: Instrument Amplifier Gains and Gain Resistor Values	6-103
Table 7.1: Table of Control Equations.....	7-110

List Of Figures

Figure 2.1: Helicopter Rotor Design Requirements.....	2-12
Figure 2.2: Bijleveld Cyclic Pitch Propeller.....	2-22
Figure 3.1: Section of Typical Swash Plate Pair.....	3-25
Figure 3.2: Stationary Lock Linkage Detail.....	3-26
Figure 3.3: Rotary Synchronization Linkage Detail	3-27
Figure 3.4: Spherical Bearing Detail.....	3-28
Figure 3.5: Control Rod to Swash Plate Ball Relationship	3-29
Figure 3.6: Foil at Angle of Attack With and Without Camber	3-30
Figure 3.7: Helicopter Rotor Thrust Vectoring.....	3-32
Figure 3.8: Plots of C_L vs. Alpha and C_D vs. C_L for a NACA2415 Section.....	3-34
Figure 3.9: Relationship Between Lift, Drag, Thrust and Torque	3-35
Figure 3.10: Effect of Blade Rake on Thrust Vector	3-38
Figure 3.11: Side Force Predictions.....	3-44
Figure 3.12: Bare Hull Resistance Curve for C-SCOUT.....	3-45
Figure 4.1: Piston Pump Design.....	4-48
Figure 4.2: Concentric Shaft Arrangement for CPCPP	4-49
Figure 4.3: Swash Plate in Propeller Hub	4-51
Figure 4.4: Hull mounted Mechanism.....	4-53
Figure 5.1: Shaft Line Layout	5-59
Figure 5.2: Main Shaft Bearings.....	5-63
Figure 5.3: Mechanical Seal Detail.....	5-65
Figure 5.4: Digit Linear Actuator.....	5-67
Figure 5.5: Main Motor Armature	5-69
Figure 5.6: 2D General Arrangement Sketch	5-70
Figure 5.7: Propeller Hub Flange	5-73
Figure 5.8: Bearing Retainer Nut.....	5-74
Figure 5.9: Main Swash Plate Section	5-75
Figure 5.10: Connecting Linkages.....	5-75
Figure 5.11: Lock Linkages	5-76
Figure 5.12: Blade installation.....	5-77
Figure 5.13: Aft Pressure Vessel End Cap.....	5-79
Figure 5.14: Main Shaft Bearing Installation	5-80
Figure 5.15: Main Motor Section	5-81
Figure 5.16: Spring Centered Solution	5-89
Figure 6.1: Control System Architecture	6-91
Figure 6.2: Main Motor Controller Schematic.....	6-92
Figure 6.3: Modified Main Motor Controller Schematic	6-94
Figure 6.4 Buffer Circuit Schematic.....	6-95
Figure 6.5: Commercial Trapezoidal Motor Controller.....	6-96
Figure 6.6: Actuator Controller Schematic	6-97

Figure 6.7: Stepper Motor Drivers	6-99
Figure 6.8: Main Power System Schematic	6-100
Figure 6.9: Control System Power Schematic.....	6-102
Figure 6.10: Sample Amplifier Circuit.....	6-103
Figure 6.11: Smartcat™ Single Board Computer	6-105
Figure 7.1: Directional Convention and Actuator Orientation	7-108
Figure 8.1: Thomas' Setup for Propulsion Thrust and Torque Measurement	8-114
Figure 8.2: Measurement Apparatus for CPCPP	8-115
Figure 8.3: 45E15A Load Cell	8-116
Figure 8.4: Mechanical Propeller Test Setup	8-118
Figure 8.5: Electrical Propeller Test Setup.....	8-118
Figure 8.6: Raw Data for Thrust Values	8-123
Figure 8.7: Unrotated Axes	8-125
Figure 8.8: Rotated Axes	8-125
Figure 8.9: Force Results for Ahead / Astern Test.	8-127
Figure 8.10: Moment Results for Ahead / Astern Test.	8-131
Figure 8.11: Force Results for Surface / Dive Test	8-133
Figure 8.12: Moment Results for Surface / Dive Test.....	8-136
Figure 8.13: Maximum Turning Moment at 20% Astern Thrust.....	8-138
Figure 8.14: Maximum Turning Moment at 40% Astern Thrust.....	8-139
Figure 8.15: Resultant Force and Phase Angle for Maneuvering Force at Zero Forward Speed	8-141
Figure 8.16: Resultant Force and Phase Angle for Maneuvering Force at 50% Forward Speed	8-141
Figure 8.17: Force Results for Maneuvering While Thrusting Ahead.....	8-145
Figure 8.18: Moment Results for Maneuvering While Thrusting Ahead	8-147
Figure 8.19: K_T and K_Q Plots for Varying Blade Angle (No Side Thrust)	8-150
Figure 8.20: Open Water K_T and K_Q Curves for B-Series Screw Propeller ...	8-151
Figure 8.21: K_T and K_Q Plots for Varying Side Thrust Angle (20% Astern) ...	8-153

List of Abbreviations and Symbols

Abbreviations:

2D – Two Dimensional

3D- Three Dimensional

A – Amperes

A/D – Analog to Digital Conversion

ANOVA – Analysis of Variance

AUV – Autonomous Underwater Vehicle

AVI – Digitized Video Format

BASIC – Beginners All Symbolic Instructional Code

BDC – Bolt Circle Diameter

CAM – Computer Aided Manufacture

CANBUS – Communications Protocol

CNC – Computer Numerically Controlled

CPCPP – Collective Pitch and Cyclic Pitch Propeller

C-SCOUT – Canadian Self Contained Off-The-Shelf Underwater Testbed

DEMA – Distributive Embedded Modular Architecture

DOE – Design Of Experiments

I²C – Communications Protocol

I/O – Input Output

IOT – Institute for Ocean Technology

MOSFET – Power Switching Transistor

MUN – Memorial University of Newfoundland

NACA – National Advisory Committee for Aeronautics

NRC – National Research Council Canada

PCB – Printed Circuit Board

PCI – Personal Computer Bus Card Architecture

PIV – Particle Image Velocimetry

PH – Precipitation Hardened

PIC – PIC Micro Controller

PWM – Pulse Width Modulation

ROV – Remotely Operated Vehicle

RPM – Revolutions Per Minute

rps – Revolutions Per Second

RS-232 – Communications Protocol

RS-422 – Communications Protocol

RS-485 – Communications Protocol

TCP/IP – Communications Protocol

TDS – Tandem Propeller System

TTL – Transistor-Transistor Logic

VDC – Volts Direct Current

Symbols:

a Relative Induced Velocity (V_a Component)

a' Relative Induced Velocity (ωr Component)

A_e/A_o Area Ratio

C Chord Length

d Diameter of Propeller

D Drag Force

D_m Moment Arm from the Propeller Plane to the Load Cell

F_R Resultant Force (Combination of M_x , M_y , and D_m)

F_x Force in the X-direction

F_y Force in the Y-direction

F_z Force in the Z-direction

J	Advance Coefficient
K_T	Thrust Coefficient
K_Q	Torque Coefficient
L	Lift Force
M_x	Moment About the X-axis
M_y	Moment About the Y-axis
M_z	Moment About the Z-axis
n	Rotational Speed of Propeller (rps)
P/d	Pitch to Diameter Ratio
Q	Shaft Torque
r	Radius from Center of Rotation to Blade Section
t	Time
T	Thrust Force
T_n	Blade Thrust Component [$n = \{1, 2, 3, 4\}$]
T_x	Forward Thrust Component
T_y	Lateral Thrust Component
U_n	Induced Velocity
V_A	Speed of Advance

V_R Relative Velocity

z Number of Propeller Blades

Greek Symbols:

α Angle of Attack (Angle of Incidence)

$\beta_i = (\phi - \alpha)$

θ Rake Angle of Propeller Blades

θ^* Side Thrust Direction

ϕ Blade Pitch Angle

ω Rotational Speed of Propeller Section (rad/s)

List Of Appendices

Appendix A – Fabrication Drawings

Appendix B – Fixed Size Component Data Sheets

Appendix C – Electronic Data Sheets

Appendix D – Load Cell Mounting

Chapter 1

Introduction

Ocean exploration has been a dangerous and very expensive pursuit throughout history. Large oceangoing research vessels and submersibles have conventionally been used to collect information about the world's oceans. These research vessels are extremely expensive to operate and manned submersibles endanger the lives of their crew with each expedition.

Technological advances have made ocean exploration safer and more economical. The first step was to remove people from the subsea environment. This task was accomplished with the invention of the remotely operated vehicle (ROV) in the 1960s [McFarlane, 1993]. The ROV is capable of completing many of the same tasks as a manned submersible. While still requiring on-site support from a surface vessel, many ROVs can be launched from ships as small as a zodiac. The operator controls and navigates the vehicle from the surface using a system of video cameras and instrumental feedback. Power to thrusters and onboard equipment is supplied from the support ship through a tether or umbilical cord. The umbilical cord, of course, limits the operational range of the ROV. The next logical step was to reduce the amount of required on-site support.

Autonomous Underwater Vehicles (AUVs) are capable of carrying out preprogrammed missions with little or no human intervention [Curtis, 2001]. The removal of the human from the underwater system results in a vehicle capable of operating in hazardous and risky environments where an operator would be in immediate danger. Unlike an ROV, tetherless AUVs can operate independent of human support, and keep personnel at a safe distance. AUVs are finding application in many areas of military deployment such as mine detection, mine neutralization, surveillance, and buried object classification. In the scientific community, AUVs are quickly becoming a less expensive method of obtaining ocean data compared to manned submersibles and surface science vessels. Also, AUVs are able to obtain different classes of data that are not as easily attainable with current systems. The underwater gliders, for example, can collect conductivity, temperature and depth (CTD) data to profile an area for mission durations of up to three months without human intervention.

Autonomous Underwater Vehicles are capable of operating independently from a support ship and of storing their data until transmission back to a base station is possible. For these reasons, one support vessel can potentially deploy and monitor a large number of AUVs. This can maximize the amount of data that can be collected during an expedition, using the costly surface support resources more effectively. In addition to vessel launching, AUVs can also be successfully launched from shore. Due to their 100+ km range, many AUVs can conduct

substantial missions from a suitable shore launch site. In certain applications such as harbor defense and coastal monitoring, AUVs can operate without the aid of a support ship further reducing operating costs. For deployment in arctic regions, AUVs are capable of operating from a base on the ice sheet to collect data under the ice.

In the past five years, there has been a noticeable increase in the research and development of AUV technology [Wernli, 2000]. Several subsea companies have undertaken the development of AUVs as part of their vehicle fleets or product lines. Universities around the globe have implemented research programs to develop vehicles and related technology. This growth is primarily being driven by the size, cost and reduction in size of computers and electronics used to operate these vehicles. New and improved sensors are increasing the number of feasible tasks these vehicles are able to perform.

In 1998, Memorial University of Newfoundland (MUN) and the National Research Council of Canada's Institute for Ocean Technology (NRC-IOT) started a joint project to develop a research vehicle. The "*Canadian Self Contained Off-the-shelf Underwater Testbed*" or C-SCOUT was developed to study underwater vehicle related technology. The project was partly funded by a NSERC Strategic Project entitled "*Ocean Environmental Risk Engineering Using Autonomous*

Underwater Vehicles (1999-2004)". The aims of the project were to increase the understanding of environmental effects caused by discharges from the offshore oil and gas industry and demonstrate the ability of an AUV to successfully conduct these missions.

One such mission would be the monitoring, mapping and classification of a produced water discharge from an offshore production facility using a mass spectrometer, fluorometer and/or other suitable instruments. This type of mission requires the ability of a vehicle to produce a 3-dimensional map of the plume. The location of the contaminants and their concentrations are recorded at the various locations in the plume. A vehicle using conventional control surfaces for maneuvering can carry out the first task of mapping, as the vehicle is continuously moving with some significant forward velocity. However, the second task of concentration monitoring, or any measurement that requires time to make, demands a vehicle capable of holding station during the sampling and analysis procedure. While sampling can currently be accomplished with existing technology, the exact location of the sample is not known. By holding the vehicle stationary during sampling, the exact location of the sample can be recorded.

Through body thrusters were originally planned to allow a vehicle to remain stationary during this period while maintaining maneuvering control. Research

conducted at the University of Victoria [Saunders, 2001] concluded that the thruster performance is greatly affected by the complex hydrodynamic flow interaction between the thruster in a duct and the hull. This hull thruster interaction causes an asymmetry in the thrust characteristics between positive and negative yaw angles during operation [Saunders, 2001]. The asymmetric behavior could result in a vehicle failing to hold station during operation due to lack of thrust. Even under non-asymmetric operating conditions, the available amount of thrust is low.

Through body thrusters provide improved maneuvering and positioning of a vehicle at low speed, but are not very electrically efficient. Acceleration of water from one direction to another in a tunnel thruster requires significant power. A more efficient method of maintaining low speed maneuverability was required.

During the 1960's, Haselton developed a novel solution to this problem, the cyclic pitch propeller, discussed in detail in Chapter 2. This new propeller was modeled after the helicopter rotor and was capable of producing forces in all three-principle axes. This technology was investigated at Memorial University to determine the feasibility of this technology in providing low speed maneuvering for C-SCOUT [Bijleveld, 2002]. An experimental two-bladed propeller was

designed and tested. The results of the experimental propeller showed that the technology was feasible and warranted further investigation.

The recommendations presented by Bijleveld [2002] in his thesis were used as the starting point for this thesis. To better understand the feasibility of this type of thruster with respect to C-SCOUT, a more advanced version of the cyclic pitch propeller was required for testing. This thesis addresses the development of a production quality prototype of this style of propeller. The objective of this thesis is stated as follows:

“To design, fabricate, commission and initially test a fully-actuated production prototype collective pitch and cyclic pitch propeller (CPCPP) for the AUV C-SCOUT”

To meet this objective, a detailed study of the existing technology was undertaken and is presented in Chapter 2. Theory relevant to the design of the new prototype propeller is presented in Chapter 3. In Chapter 4, the design process followed during this project is outlined. The more significant conceptual designs and their evaluation are also presented in Chapter 4. The detailed design of the selected concept has been broken into three main parts. Chapter 5 discusses the mechanical aspects of the design. The electrical portion of the

design is discussed in Chapter 6. The development of the control algorithm for the propeller is discussed in Chapter 7. The results of initial testing of the completed propeller are presented in Chapter 8. Finally, Chapter 9 puts forth the conclusions, recommendations and outline for future work.

Chapter 2

Literature Review

2.1 Introduction

When developing a new propulsion system for underwater vehicles, a thorough investigation into similar technology is a necessary first step to the design process. In particular, reviewing previous patents on similar technologies and understanding their claims provides a basis for prior art. Prior art is particularly important when applying for patents to protect intellectual property. As this project was being approached as the development of a production prototype system, patent dates and claims required review to ensure that the production of the new propulsion system would not violate any active patents.

Due to the large amount of information in patent applications, patent discussions in this literature review shall be limited to a brief introduction to the patent and a statement of the author's claims. Where appropriate, a brief description of the invention's function shall also be presented to highlight important aspects of the particular design. The patent numbers for cyclic pitch related propeller technology were compiled by Lechartier [2002].

Before examining the more recent developments of cyclic and collective pitch propulsion for underwater vehicles, a study of their development and application in the field of aeronautics should be explored. This provides the necessary understanding for the differences in operation between an underwater Collective Pitch and Cyclic Pitch Propeller and helicopter rotors.

2.2 Development of Cyclic Control

During the early development of helicopters and autogyros, researchers and inventors discovered early on that control of these vehicles was the key to the success of vertical flights [Gazzola, 2003]. Many milestones marked the paths that eventually lead to the successful development of the modern helicopter. From a control aspect, there are two developments that represent the major achievement in this area [Leishman, 2000].

Cyclic pitch control of airfoil surfaces was originally developed to control the location of the pitch and roll moments of helicopters providing one component required for control during flight. Crocco first recognized cyclic pitch control as a requirement for control of helicopters in 1906 [Leishman, 2000]. Cyclic pitch control was used in many different forms on many of the early helicopter designs.

The second component required for successful forward flight of the helicopter was blade flapping hinges. Blade flapping was invented by Juan de la Cierva in 1923 and first implemented on his C-4 auto gyro [Cierva, 1926] [Leishman, 2000]. The blade flapping helps to balance the rolling moment on the helicopter rotor caused by the increased lift on the leading blade and the decrease in lift on the lagging blade [Seddon, 1990].

2.3 Analysis of Helicopter Rotors

While flapping hinges are important for horizontal rotating propeller blades advancing edgewise into an advancing fluid, their importance is limited in the application of a collective and cyclic pitch propeller advancing into a conventional flow. A conventional flow has streamlines parallel to the axis of the propeller's revolution. The slight moment imbalances created by the maneuvering forces are not sufficient to destabilize the vehicle as

- The vehicle is already stable due to buoyancy and gravitational forces.
- The principal fluid flow is perpendicular to the propeller blades.

A study of helicopter rotor design was undertaken to better understand the functionality of the components required to develop and build a cyclic and

collective pitch propeller. Both model and full-scale helicopter rotor designs were analyzed [Domke, 2004], [CHP, 2004]. After the analysis the following components, illustrated in Figure 2.1, were determined to be important to the design of a new CPCPP system:

- Stationary swash plate (A)
- Rotary swash plates (B)
- Swash plate gimble ball (C)
- Stationary swash plate control inputs (D)
- Blade to rotary swash plate linkages (E)
- Synchronization linkages for stationary swash plate (F)
- Synchronization linkages for rotary swash plate (F)

Helicopter rotor design and function will be discussed in more detail in Chapter 3 of this thesis.

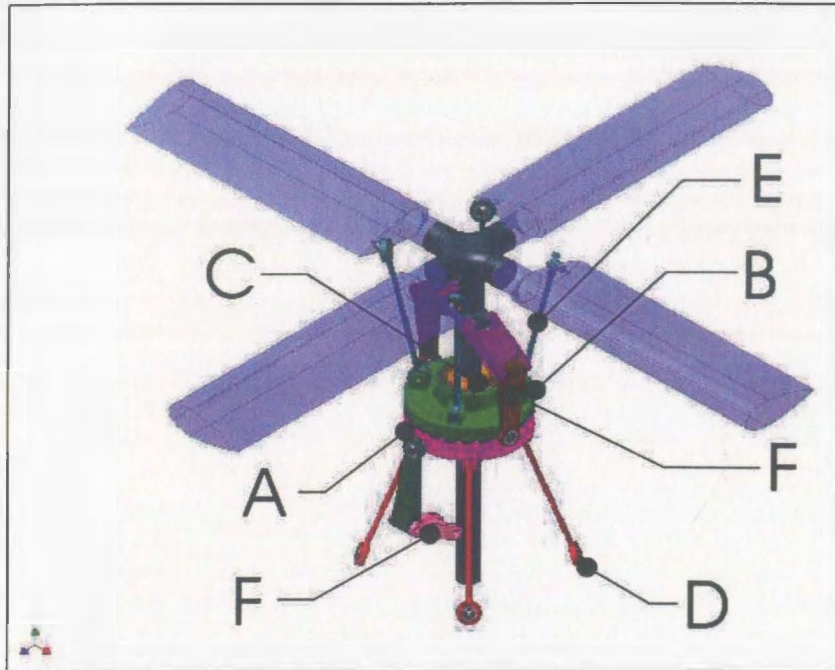


Figure 2.1: Helicopter Rotor Design Requirements

2.4 Haselton Cyclic Pitch Propeller (1965 Patent)

2.4.1 Introduction

US Patent No. 3,101,066 outlines the details for the first cyclic and collective pitch propeller system for propulsion and maneuvering of submerged bodies. The propulsion system was able to produce thrust fore and aft by varying the collective pitch of the propeller blades similar to the function of a controllable pitch propeller. By varying the pitch of the propeller blades cyclically as in a helicopter's main rotor, the propulsion system was capable of producing thrust in sway and heave directions. The enhanced maneuverability of the propulsion

system allowed a vehicle to move in all six degrees of freedom without the aid of conventional control surfaces.

2.4.2 Claims

Being the first patent of this technology, the six claims presented are the most broad in scope. The primary claims of the patent are as follows:

1. A pair of peripherally mounted blades on a cylindrical body varied collectively and cyclically produces maneuvering forces in all six degrees of freedom of a neutrally buoyant vehicle operating in a fluid medium.
2. The pair of peripherally mounted blades mounted at the fore and aft ends of a cylindrical water tight submarine body rotate in opposite directions with a means of independently controlling collective and cyclic pitch of both units.
3. The use of a pair of peripherally mounted blades in a spaced relationship for steering an underwater vehicle and providing thrust in directions perpendicular to the vehicle's longitudinal axis of rotation by cyclic variation of blades. Collective variation of the blade pitch controls the speed of the vehicle in the fore and aft directions.
4. The use of an electric motor to drive the propeller unit by means of a rotating armature around the submarine, and a fixed stator including

windings secured to the submarine hull. The multiple blades of each propeller unit are pivotally mounted to the rotating armature. The pitch of the blades is controlled by means of a non-rotating swash plate mechanism.

5. The rotating armatures form an integral part of the hull exterior mounted in circumferential slots containing all equipment to vary cyclically and collectively the pitch of the blades mounted on the rotating armature.
6. The ability of both ring shaped electric motors to operated in a flooded environment.

2.5 Haselton Cyclic Pitch Propeller (1966 Patent)

2.5.1 Introduction

US Patent 3,291,086 represents a continuation of the work started with the patent discussed above. In particular, this new patent discusses the optimization of a spheroid body equipped with two cyclically and collectively controlled propulsion units for maximum maneuverability. This patent has little relevance to the design of a production cyclic pitch propeller, as the information detailed pertains to the testing configurations of a prototype for performance verification.

2.5.2 Claims

The first four claims of this patent are mainly in reference to the different configurations of blade body geometry and orientation. The remaining four claims of the patent deal primarily with different methods of controlling the cyclic and collective pitch of the propulsion units.

2.6 Haselton Cyclic Pitch Propeller (1969 Patent)

2.6.1 Introduction

US Patent 3,450,083 primarily outlines the application of technology aimed at simplifying and improving the control of the blade actuation mechanisms. The drive motors were changed from the expensive permanent magnet direct drive system to a simple conventional motor driving a ring gear. The floating swash plate found in previous designs, was replaced by a swash plate supported by a spherical bearing. The spherical bearing is an important component of all future mechanically controlled cyclic pitch propellers including the new CPCPP.

2.6.2 Claims

The claims of the patent relate to the geometry of the propulsion system and the method to which parts are connected and controlled. The first three claims discuss the actuation and the connection of the swash plate to the propeller blade shafts. The fourth and fifth claims outline the provision in the design to allow the blade to rotate about its shaft should the maximum torque be exceeded. The remaining two claims outline improvements to the positioning of the swash plate and the new drive system.

2.7 Reich Cyclic Pitch Propeller (1990 Patent)

2.7.1 Introduction

US Patent 4,957,413 is the first patent where the true potential of the collective and cyclic pitch propeller is outlined. The patent presents the technology as a superior method for low speed propulsion and maneuvering. The patent also provides two more actuation methods for creating cyclic and collective pitch of propeller blades on a submerged body. While both methods of actuation provide the desired result, implementation of the described invention is nearly impossible due to the arrangement of the linkages. This conclusion was made after an examination of the propeller blade pitch actuation described in the patent.

2.7.2 Claims

The two claims presented in this patent outline the configuration of the mechanisms and linkages that make up the proposed propeller design. This first claim discusses the use of offset blade shafts running on a cone. The cone is moved eccentrically to provide cyclic pitch and axially to provide collective pitch. The second claim describes a modification to the first claim with regards to the connection of the blade shafts to the actuation mechanism.

2.8 Paterson Cyclic Pitch Propeller (1991 Patent)

2.8.1 Introduction

US Patent 5,028,210 represents a great step forward in the design of collective and cyclic pitch propellers. The design outlined by Paterson addresses many of the shortcomings and reliability issues facing earlier designs. The swash plate and blade connecting linkages bear striking similarities to helicopter rotor design. The main propulsion mechanism for the propeller returned to the permanent magnet torque motor design. This eliminated the need for heavy geared drive systems.

2.8.2 Claims

The nine claims presented in this patent pertain directly to the design, layout and operation of this propulsion unit. The primary claim for the patent is that the actuators, swash plate and linkages are housed within the rotor of the drive motor. The remaining claims depict the variations in this design, such as hydraulic or pneumatic actuators, swash plate configurations and bearing support modifications.

2.9 Schneider Cyclic Pitch Propeller (1993 Patent)

2.9.1 Introduction

US Patent 5,249,992 is a variation of the Paterson propeller. Schneider, a coauthor on the US Patent 5,028,210, patented a cyclic and collective pitch propeller that did not use a conventional swash plate mechanism. The goal of this design was to reduce the number of moving parts to improve the reliability of the propulsion system. This design uses an Oldham coupler [Avallone et al., 1996] and a modified Scotch yoke [Erdman et al., 1997] to vary the blades cyclically and collectively.

2.9.2 Claims

The 15 claims presented in the patent represent the design and construction of this particular propeller design. The claims primarily deal with the control and connection of the Oldham coupler to the propeller blades. The complexity of this design and the manufacturing difficulty made this type of system impractical to a production CPCPP. The implementation of the ball jointed blades to the Oldham coupler would be extremely difficult to produce in a one-off system. Also, the linkages required to operate this propeller required a substantial amount of space in the propeller hub. This space was not available in a C-SCOUT sized propeller.

2.10 Other Cyclic Pitch Propeller Technology

While there have been other patents filed on cyclic and collective pitch designs, the aforementioned patents represent the main advancements in this technology from its infancy. US Patent 4,540,341 describes yet another method for controlling the pitch of the propeller blades cyclically and collectively. The proposed system uses an arrangement of hydraulic actuators controlled by porting on the drive shaft. The actuators in the propeller hub are controlled by hydraulic fluid passed down the propeller shaft in individual ducts.

US Patent 4,648,345 outlines an attempt to simplify the linkage of the cyclic and collective pitch propeller. In this patent, the authors propose to adjust the blades of the propeller using electromagnetic positioning. This method of control could eliminate the need for swash plate mechanisms in future cyclic pitch development. The problem with this design lies in the response of the mechanical components to the input signals from the electronics. Direct control of the blade position in this manner poses some very difficult control challenges, even with today's computer technology.

2.11 Conclusions from Patent Analysis

After a review of published patents on the subject of collective and cyclic pitch propellers, the patented concept of the use of CPCPP to maneuver and control an underwater vehicle has expired. The patents that are still in effect (1991 to present) deal with specific improvements to the CPCPP system. A new production prototype must not infringe on these existing patents. As the designed and built propeller prototype was based on long public helicopter rotor technology, the new CPCPP does not infringe on any of the active patents.

2.12 Papers on Cyclic Pitch Propellers

Due to the observed apparently classified nature of the research conducted into cyclic and collective pitch propellers, there was not a lot of public information about their design or the results obtained in the testing of such devices. However, two published papers were found on this technology. The first paper by Stenovec and Haselton [1987] discusses their work on a Tandem Propeller System (TDS). The paper outlines the development of the TDS as a propulsion method for ROVs and AUVs. The advantages and operation of this system are discussed and outlined in their paper.

The second paper by Murray et al. [1994] discusses the application of cyclic pitch propellers. This paper delves into the governing equations of cyclic and collective pitch propeller operation and provides a good starting point for the development of a future computer model. The paper also looks briefly at the results of the Paterson propeller and lists some of the observations of the test team. The most important of these findings are the vehicle's maneuverability at no forward speed and a reduced turning circle diameter.

2.13 Bijleveld Cyclic Pitch Propeller

The results of work conducted by Bijleveld [2002] at Memorial University and the Institute for Ocean Technology was the prime influence of the research conducted in this thesis. The simple cyclic and collective pitch propeller tested showed tremendous potential for maneuvering an AUV at low speed. This low speed maneuvering was of particular interest to the C-SCOUT vehicle team, in particular for environmental monitoring and iceberg profiling.

Like many of the past CPCPP designs, this propeller used a swash plate mechanism to control the cyclic pitch variation of the propeller blades. A system of wedges was used to control the angle of the swash plate and thus the cyclic pitch, Figure 2.2. Due to the fact that the swash plate could only tip, collective pitch was fixed for this particular propeller application.



Figure 2.2: Bijleveld Cyclic Pitch Propeller

The results of testing were found to be very encouraging, but the limitations of the prototype prevented the propeller from reaching its true potential. Bijleveld recommended a fully actuated version of the propeller be created to further test this method of propulsion.

Chapter 3

Theory Related To Design

3.1 Introduction

Before starting on the design of a new propeller system for an underwater vehicle, one must first have a basic understanding of the relevant theory. The final goal of the prototype is to provide helicopter like control for an underwater vehicle. For this reason, an excellent place to start in the theory is a discussion of the swash plate. The swash plate is what allows the helicopter's pilot to control the flight direction of the vehicle. In addition, a study of sealing techniques and propeller theory are important, as the propeller will be operating underwater.

3.2 Swash Plate Mechanics

The function of a swash plate, in its simplicity, is to translate rotary motion into a sinusoidal reciprocating motion. For a hydraulic motor, a swash plate transfers power to the rotating drive shaft from the pistons being displaced by the fluid [Vickers, 1996]. A swash plate on a helicopter rotor works in a similar fashion, except the swash plate is now transferring control signals from the stationary actuators to the rotating blades.

The transfer of the control signals is actually accomplished using a pair of swash plates that are coupled together using a radial thrust bearing [Marshall, 2000]. The bearing acts as a constraint between the two swash plates allowing them to only rotate about their axis of revolution. Translations in the X, Y and Z directions were prohibited, as was rotation about the X and Y axes, labeled in Figure 3.1. During operation, the swash plates move as a collective group. This motion exactly translates the positions of the control rods or actuators to the rotor blades of the helicopter, while remaining unaffected by the rotation of the rotor. A section of a typical swash plate in Figure 3.1 illustrates the relationship between the rotary and stationary swash plates.

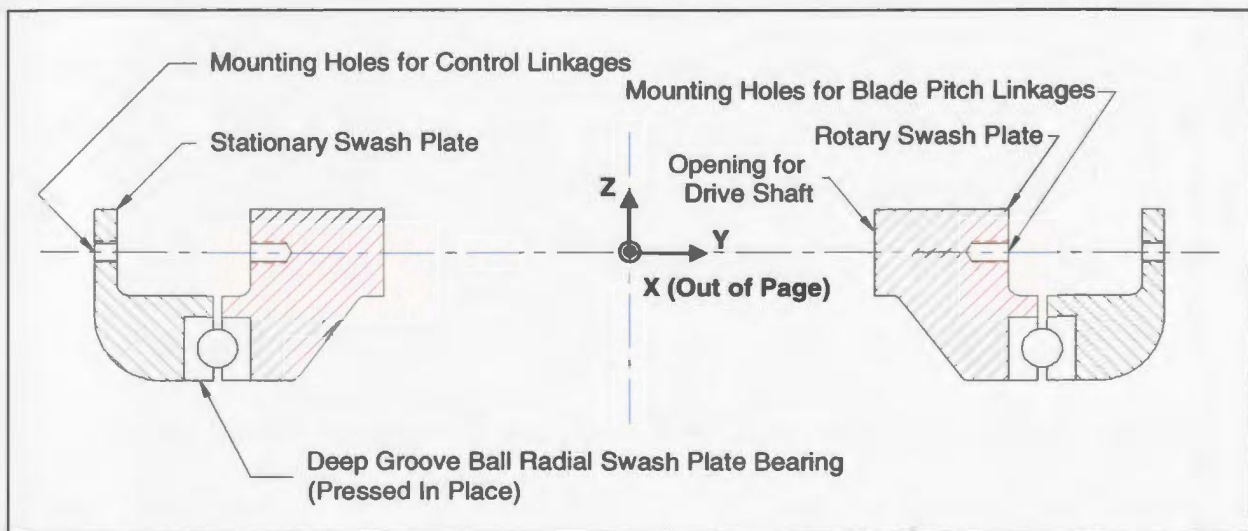


Figure 3.1: Section of Typical Swash Plate Pair

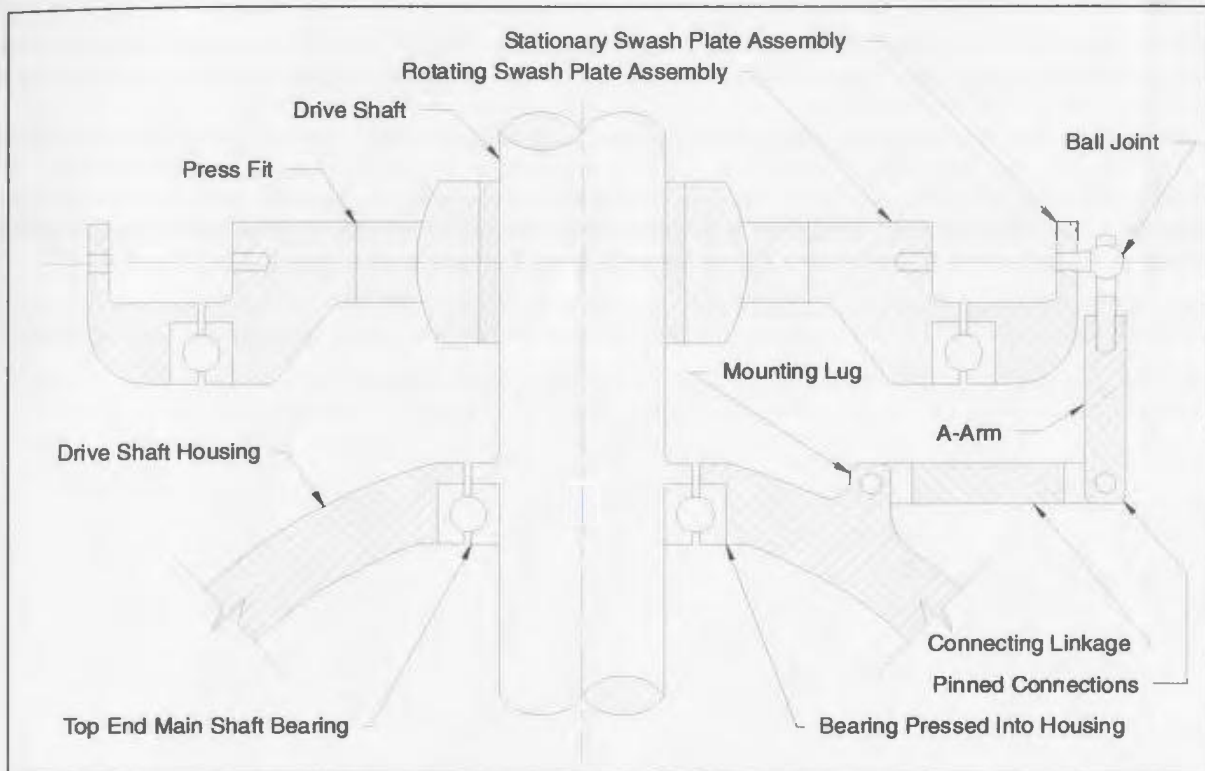


Figure 3.2: Stationary Lock Linkage Detail

For a swash plate to accurately translate the actuator positions to the blades, it is crucial to ensure that the stationary swash plate remains stationary and the rotary swash plate turns in synchronization with the drive shaft. This is accomplished by a series of lock or synchronization mechanisms [Domke, 2004]. There is a single locking linkage that connects to a stationary part of the helicopter that prevents the stationary swash plate from rotating due to friction in the radial thrust bearing, Figure 3.2 above. The lock linkage consists of an A-arm and a connecting linkage that attaches to the fuselage at the mounting lug. This lock linkage ensures that the actuators always remain in alignment with the control lugs. The rotary swash plate has two synchronization linkages to ensure

that the rotating swash plate remains in synch with the drive shaft, Figure 3.3. These linkages connect from a clamped collar on the drive shaft to the rotating swash plate. While one linkage is sufficient to accomplish this task, one linkage would set up a mass imbalance in the shaft. This is the reason for using two symmetric linkages.

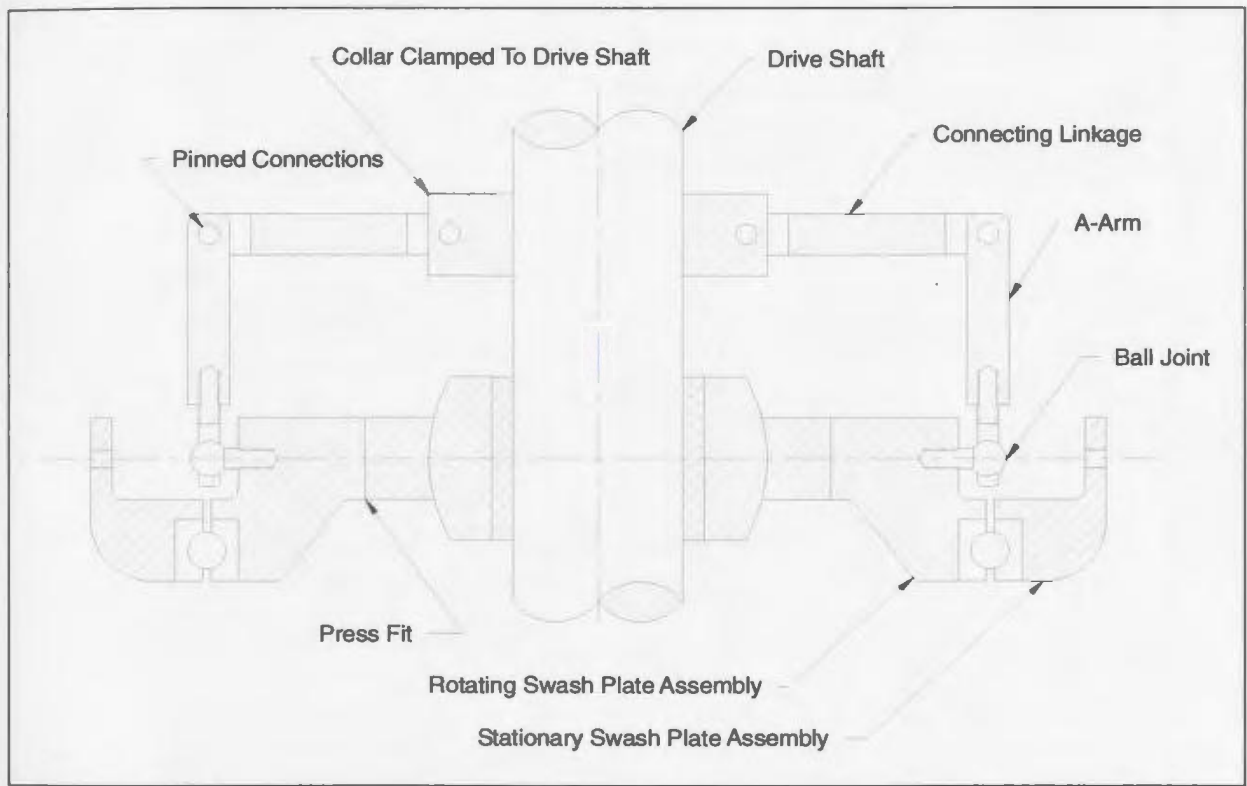


Figure 3.3: Rotary Synchronization Linkage Detail

During operation, the swash plate pair can be inclined or translated. This posed a problem of how to keep the point of zero pitch on the axis of rotation of the shaft. The solution to this problem is to use a spherical ball joint to ensure the swash plate pair remains centered, Figure 3.4. The ball joint allows the swash

plate pair the ability to be inclined and to translate up or down the rotor drive shaft [CHP, 2004]. The translation of the swash plate pair controls the collective pitch of the rotor blades and the inclination controls the cyclic pitch of the rotor blades. The center of the spherical ball bearing usually contains a bushing to reduce the friction associated with sliding the ball joint up and down the drive shaft.

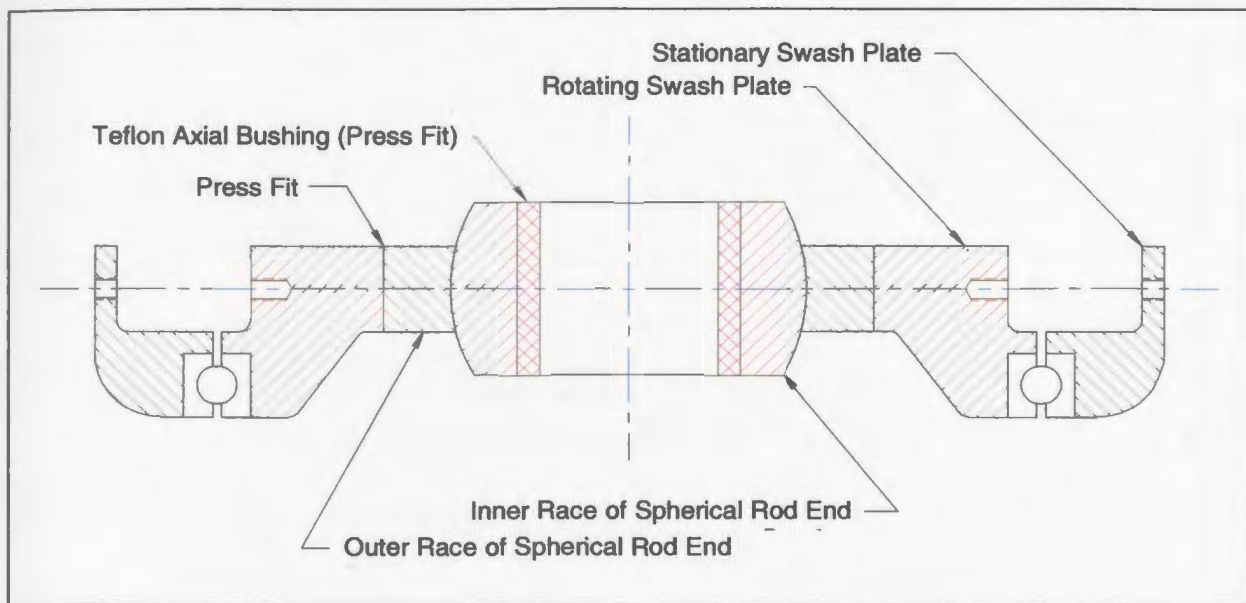


Figure 3.4: Spherical Bearing Detail

As with most complicated linkages, there are subtle details with the linkage configuration that are important for proper operation. With helicopter swash plates, the relationship of the rotating control rods to the point of zero pitch is extremely important. The only configuration that will allow proper operation of the swash plate pair is shown in Figure 3.5. Note that the plane created by the

mounting holes for the blade pitch controls must also contain the point of zero pitch of the swash plate, which is located at the vertex of rotation for the spherical ball joint.

Understanding the mechanics of swash plate operation is important for understanding how the CPCPP operates. It is the relationship between the swash plate pair, lock and synchronization linkages and spherical ball bearing that allow the blades of the CPCPP to generate the required thrust field. The relationship of the swash plate to the control linkages and blades can be seen in Figure 2.1.

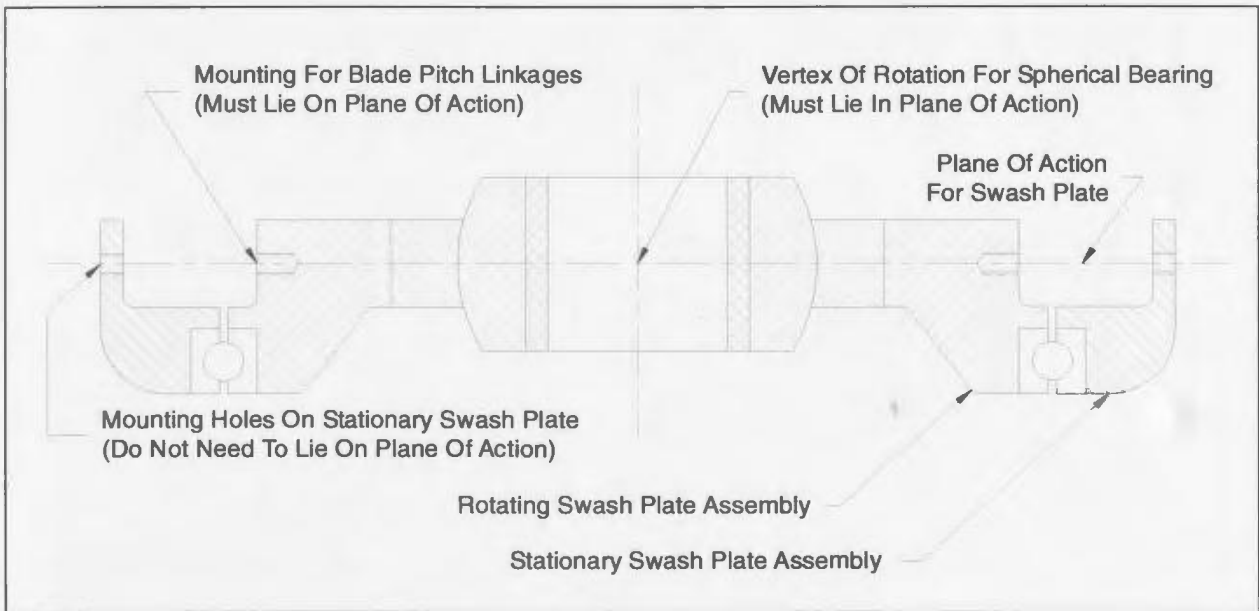


Figure 3.5: Control Rod to Swash Plate Ball Relationship

3.3 Airfoil Theory

Airfoil or hydrofoil theory is an important consideration for all propeller design problems. It is the lift and drag generated by the propeller blades that create the thrust of a propeller. While foil theory is fairly simple as far as the concepts presented in this thesis, a brief overview shall be presented for completeness.

3.3.1 Lift of Foils

Airfoils or hydrofoils are streamlined bodies that create lift forces and have low drag forces [Shevell, 1989]. A differential pressure between the top and bottom of the foil primarily creates lift from a foil. The differential pressure is developed by inclining the foil to the incoming flow and/or by introducing camber in the foil, Figure 3.6 [Hess et al., 1967].

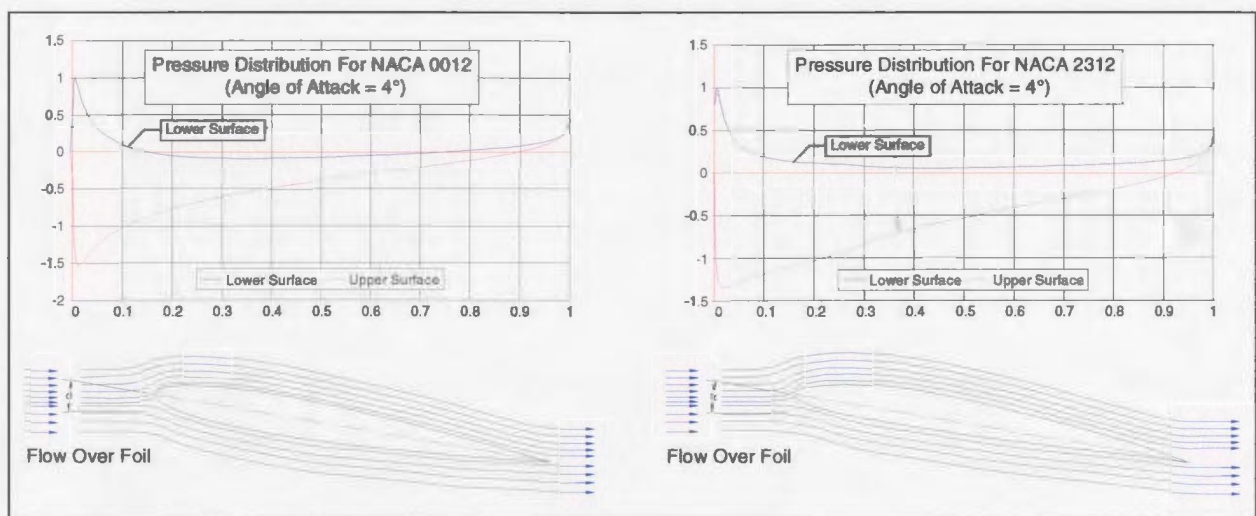


Figure 3.6: Foil at Angle of Attack With and Without Camber

While both types of foil produce lift, the primary difference between the two methods is that a foil with camber will produce lift at zero angle of attack. This generated lift occurs with a lower pressure peak at the leading edge. The generation of lift at zero angle of attack has an important effect on the drag of the foil, which will be discussed later. Propeller blades are typically manufactured from cambered type foil sections with some degree of blade twist. The cambered section improves the efficiency of the propeller near the optimum operating point of the propeller, while the blade twist improves efficiency and can reduce tip loading of the propeller in the off design condition [Lewis, 1988].

Helicopter rotors, on the other hand, are typically manufactured using symmetric airfoil sections having no camber [Cantrell, 2004]. This style of foil is popular in this application due to the nature of helicopter blade operation. A ship's weight is entirely supported by water and the propeller provides predominately forward motion at some efficient cruising speed. A helicopter's rotor must not only lift the weight of the vehicle, but also provide the ability to fly forwards, backwards and side to side, Figure 3.7. While ship propellers are usually designed to be efficient at one operating condition, a helicopter rotor must be efficient over a wide range of operation. Therefore, rotor blades tend to be constructed with no blade twist. This is due to two primary reasons. The first reason is that the blades of the helicopter tend to have relatively small angles of attack to the flow compared to a

propeller. The second reason is that most of the lift generated from a helicopter rotor occurs in the outer 30 percent of the blade length. Twisting the blade has a minimal effect on the efficiency at the blade root. Also, as the blade is operating in air, there is no need to reduce the tip loading to reduce cavitation.

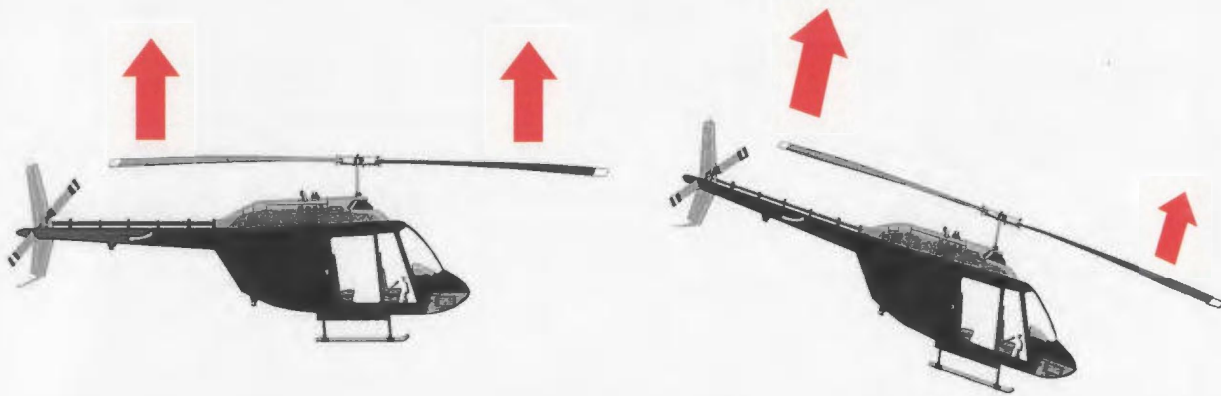


Figure 3.7: Helicopter Rotor Thrust Vectoring

3.3.2 Drag on Foils

All bodies moving in a fluid experience drag. Foil sections experience drag resulting from the integration of pressures around the foil and drag induced by lift generation. The first type of drag is referred to in the literature as parasitic drag, while the second type of drag is referred to as induced drag [Shevell, 1989]. The amount of parasitic drag is highly dependent on whether the flow of the fluid is laminar or turbulent. In the majority of cases, although not as important for small low speed propellers, the flow of the fluid is turbulent in the boundary layer for all practical foil designs including propellers.

The amount of induced drag is related to the amount of lift being generated by the foil. A foil generating lift produces a vortex wake field around the foil. The strength of this vortex field, and the consequential downwash, is related to the lift created by the foil section. As the lift generated by the foil increases, the strength of the vortices increases [Shevell, 1989]. This in turn increases the magnitude of the downwash and the drag.

The plot of experimental data from Abbott and von Doenhoff [1959] illustrates this relationship between induced drag and lift coefficient. From the plot of lift coefficient (C_L) vs. angle of attack (α) in Figure 3.8, it can be seen that the value of C_L is approximately equal to α for an airfoil operating below its value of maximum lift. There is a parabolic relationship between the values of C_L and Drag coefficient (C_D), as shown in the plot of C_L vs. C_D in Figure 3.8. From these observations, equation 3.1 can be written.

$$C_D = C_{D_0} + k C_L^2 \quad (\text{Eq. 3.1})$$

The parasitic drag is represented in this equation by the value C_{D_0} . The induced drag is represented by the C_L^2 term in the equation. The constant k allows for the steepness of the parabolic relationship, which is dependent upon the Reynolds number and the extent of turbulent flow over the foil.

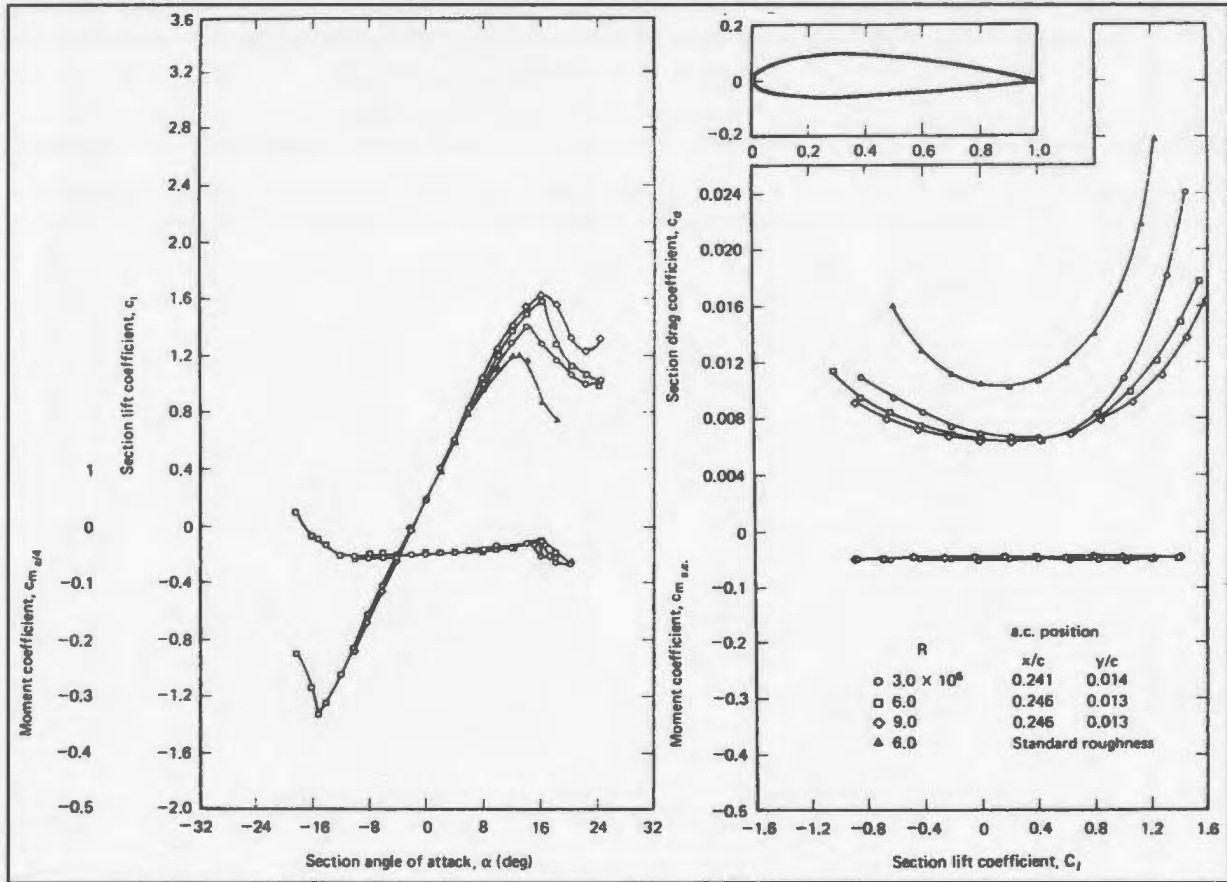


Figure 3.8: Plots of C_L vs. Alpha and C_D vs. C_L for a NACA2415 Section

3.3.3 Thrust and Torque

When designing a propeller, the amount of thrust and required torque for the propeller are the primary concerns [Lewis, 1988]. To determine the thrust and torque values, the lift and drag on the propeller blades must first be calculated. It

is important in foil design to remember that the drag force (D) is always parallel to the free stream velocity, while the lift force (L) is always perpendicular to the free stream velocity. Therefore, one needs to translate the lift and drag values into thrust and torque. A vector diagram illustrating this translation can be seen in Figure 3.9.

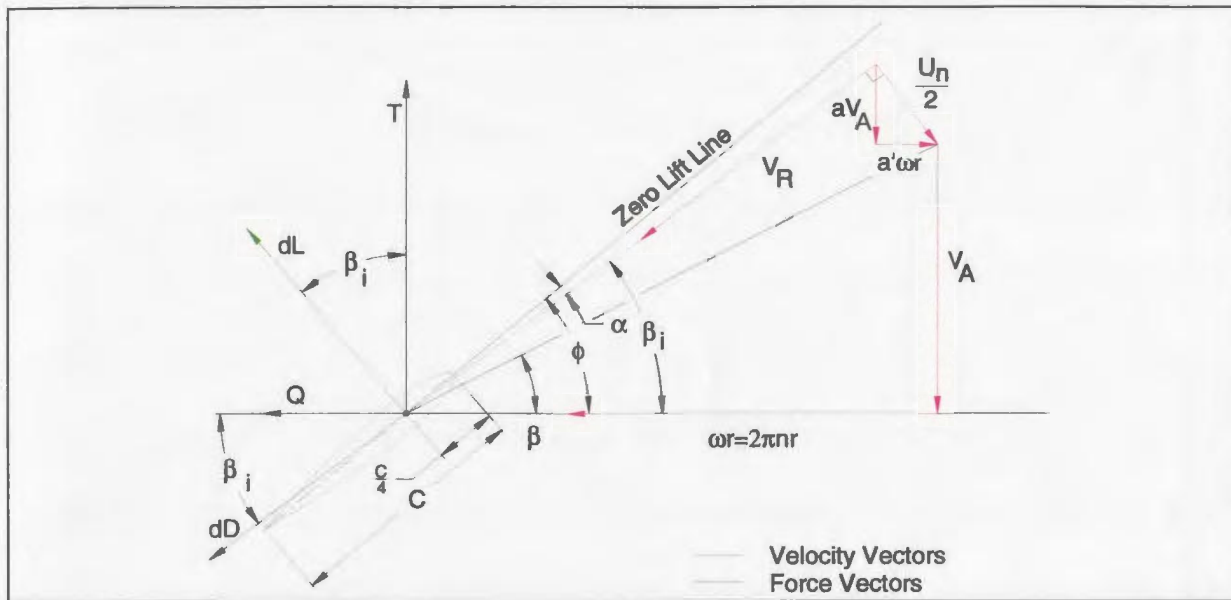


Figure 3.9: Relationship Between Lift, Drag, Thrust and Torque

From the diagram, one can see that the equations for calculating the thrust and torque for a propeller blade in uniform flow are as follows:

$$dT = dL \cdot \cos(\beta_i) - dD \cdot \sin(\beta_i) \quad (\text{Eq. 3.2})$$

$$dQ = (dL \cdot \sin(\beta_i) + dD \cdot \cos(\beta_i)) \cdot dr \quad (\text{Eq. 3.3})$$

$$\beta_i = \tan^{-1} \left[\frac{V_A \cdot (1+a)}{2 \cdot \pi \cdot n \cdot r \cdot (1-a')} \right] \quad (\text{Eq. 3.4})$$

As the blade of the propeller is rotating as well as advancing into the flow, the formulae are dependent on the radial distance from the hub centerline. These formulae are the starting point for most propeller design calculations.

The CPCPP adds a further level of complexity to the equations above [Cantrell, 2004]. While a conventional propeller blade has the same angle of attack to the flow as the propeller rotates, the cyclic pitch of the CPCPP blades is varying the pitch angle of the blades to the flow as the propeller rotates about its axis of rotation. For example, for a two-bladed CPCPP, the cyclic pitch increases the angle of attack on one blade (the advancing blade) of the propeller and decreases it on the other blade (the retreating blade) of the propeller. It is this variation in angle of attack that produces the differential thrust across the propeller and provides the maneuvering forces. These variations in lift and drag due to radial position, variation in angle of attack, and complex flow regimes created make thrust and torque more difficult to calculate. In addition, the induced velocity from the wake, which in this case is unsteady, really makes the thrust and torque extremely difficult to calculate analytically.

3.4 Blade Geometry

There are many geometric considerations that must be taken into account when designing a propeller. Blade twist, loading, area ratio, skew, rake, number and shape are just some of the things that must be considered. For collective and cyclic pitch propeller systems blade rake, number and shape are more important than most of the other considerations and will be discussed in more detail. Blade area ratio, twist, skew and loading are of lesser importance, at least in the first design cycle, for a CPCPP. The area ratio for example affects the blade loading and the propellers tendency to cavitate during operation. While blade area ratio is not as critical for this propeller, it would become very important in a highly load propeller.

For the CPCPP prototype, blade twist is undesirable as it can only be optimized for one design pitch of the blades. As the CPCPP relies on changing the blade pitch to produce changes in both collective and cyclic thrust, having a blade with twist would not be optimal in most operating conditions.

3.4.1 Blade Rake

Blade rake is one of the most important considerations when designing a CPCPP [Bijleveld, 2002]. While rake of a standard propeller is typically done to allow

larger propellers to be installed at the stern of ships, blade rake has a large effect on the side forces generated by a cyclic pitch propeller. The lift and drag generated by the propeller blades is perpendicular and parallel to the free stream velocity respectively. The resulting vectors for thrust and torque can be found in Figure 3.10.

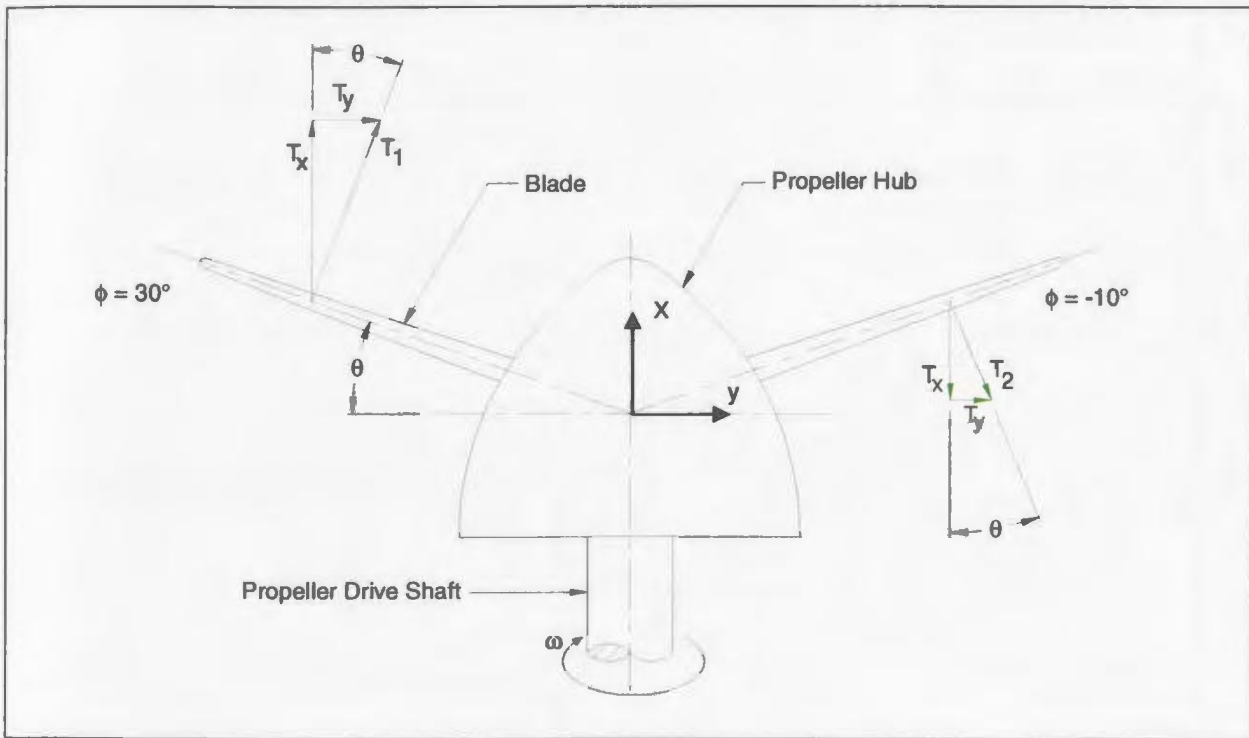


Figure 3.10: Effect of Blade Rake on Thrust Vector

As the thrust from the propeller blade is perpendicular to the blade axis of rotation, the thrust vector has components in the x and y directions. The x component thrusts the vehicle ahead or astern. The y component provides lateral or maneuvering thrust. As seen in equations 3.5 and 3.6, the amount of lateral thrust is dependent on the rake angle θ of the propeller. As rake angle

increases the amount of lateral thrust increases. If you follow this example to the extreme, the configuration of the propeller behaves like that of a Voith-Schneider or Kirsten-Boeing Propeller [Lewis, 1988]. These two vertical axis propellers, however, produce no thrust along the axis of rotation. In the case of a CPCPP, it is desirable to have the majority of thrust along the axis of rotation in order to propel the vehicle forward. Maneuvering or lateral thrust is also desired. For this reason, PhD. student Jungyong Wang, to determine the optimum rake, analyzed the rake angle between 0 and 45 degrees. Using the thrust prediction model discussed in Section 3.5, values of ahead/astern thrust and side thrust were calculated at various rake angles in this range. A rake angle of 20° was determined to provide a good compromise in forward thrust for a gain in maneuvering thrust.

$$T_x = T_1 \cdot \cos(\theta) - T_2 \cdot \cos(\theta) \quad (\text{Eq 3.5})$$

$$T_y = T_1 \cdot \sin(\theta) + T_2 \cdot \sin(\theta) \quad (\text{Eq 3.6})$$

3.4.2 Blade Number

While blade number has a relatively small effect on the efficiency of a conventional propeller, the number of blades has a fairly large effect on the effectiveness of a CPCPP. The blades of the CPCPP oscillate cyclically as the propeller hub rotates. The greater the number of blades, the smoother the thrust

vector produced from the propeller becomes [Lewis, 1988]. If one looks at the simplest case, a two bladed propeller, it is easy to visualize the shortcomings. Assuming the generated thrust vector is aft and pointing to the right, then the lateral thrust generated as the propeller blades rotate 90° drops to zero. As the propeller rotates a further 90° , the lateral thrust is increased to its original value. This cyclic loading continues as the propeller rotates and generates a pulsed type operation.

Pulsed operation, though always present in blade propellers, produces unnecessary vibration and problems with fluid acceleration. The CPCPP operates more effectively by reducing the cyclic variations during operation. This can be accomplished by adding more blades to the propeller. The addition of blades ensures that the lateral thrust vector is always present as the propeller rotates.

During the testing of a number of different vertical axis propellers, MARIN [Van Manen, 1966] determined that these types of propellers produce the greatest efficiency when configured with six blades. It is therefore reasonable to assume that CPCPP systems with six propeller blades would show a similar result, as operation is similar to the vertical axis propeller. However, building a six bladed CPCPP for an AUV would prove very difficult due to the limited space inside of

the propeller hub for all of the required linkages. For this reason, a four bladed propeller was deemed to be the best option, as this was the maximum number of blades that could be installed in the propeller hub.

3.4.3 Blade Shape

The shape of a propeller blade depends largely on blade loading and the desire to reduce the onset of cavitation during operation [Lewis, 1988]. Loading the blade too heavily at the tip can cause tip cavitation and unusually high bending loads at the blade root. The selection of blades for the CPCPP followed the convention of other similar technologies. The helicopter rotor and vertical axis propeller all use thin high aspect ratio blades to improve efficiency. When operating in water, the area ratio must be kept high enough to prevent blade loading induced cavitation. For lightly loaded or deeply submerged propeller blades, cavitation is usually not a problem. The minimum area ratio for C-SCOUT was determined to be 0.110 by Thomas (2003). Due to limits in machining and blade mounting, the projected area ratio for the CPCPP has a value of 0.180.

3.4.4 Final Blade Geometry

For the prototype collective pitch and cyclic pitch propeller, a propeller hub with four blades was constructed. The blades were designed with a section containing no camber or twist to allow the propeller to have similar thrust properties in both the ahead and astern directions. The cross section of the finished blade was a NACA section that varied from a NACA 0050 at the root to a NACA 0006 at the blade tip. The NACA 0050 section at the root provided sufficient thickness and rigidity for the blade attachment at the propeller hub. The blade tapered quickly from the NACA 0050 section to a NACA 0012 section to reduce the drag on the propeller blades during operation. The propeller blades were constructed with no skew and installed in the hub of the propeller at a rake angle of 20°.

3.5 Thrust Predictions

A calculation of the thrust a propeller will be able to generate is a very useful design tool. Most designs begin with this type of calculation in order to predict the performance of a new propeller. While there are many aids available for calculation of conventional propeller performance, there is no simple solution for cyclic and collective pitch propellers. For this reason, a spreadsheet was

developed to calculate the thrust and torque for the propeller by co-student Jungyong Wang.

The cyclic operation of the propeller poses a problem during calculation as the blade pitch angle changes as the propeller rotates. To solve this, an integration approach is required. The lift and drag produced by the propeller blades was calculated for thin sections along the length of the propeller blade at each pitch angle. The results were then summed to produce the thrust and torque created by each blade as it rotated through 360° of operation. A typical plot for the generated side force can be seen in Figure 3.11. Lifting line theory was used to produce these calculations [Eckhardt et al., 1955].

From the preliminary analysis, a propeller 305 mm (12 in) in diameter with a rotational speed of 600 RPM was determined to be a good choice for a vehicle the size of C-SCOUT.

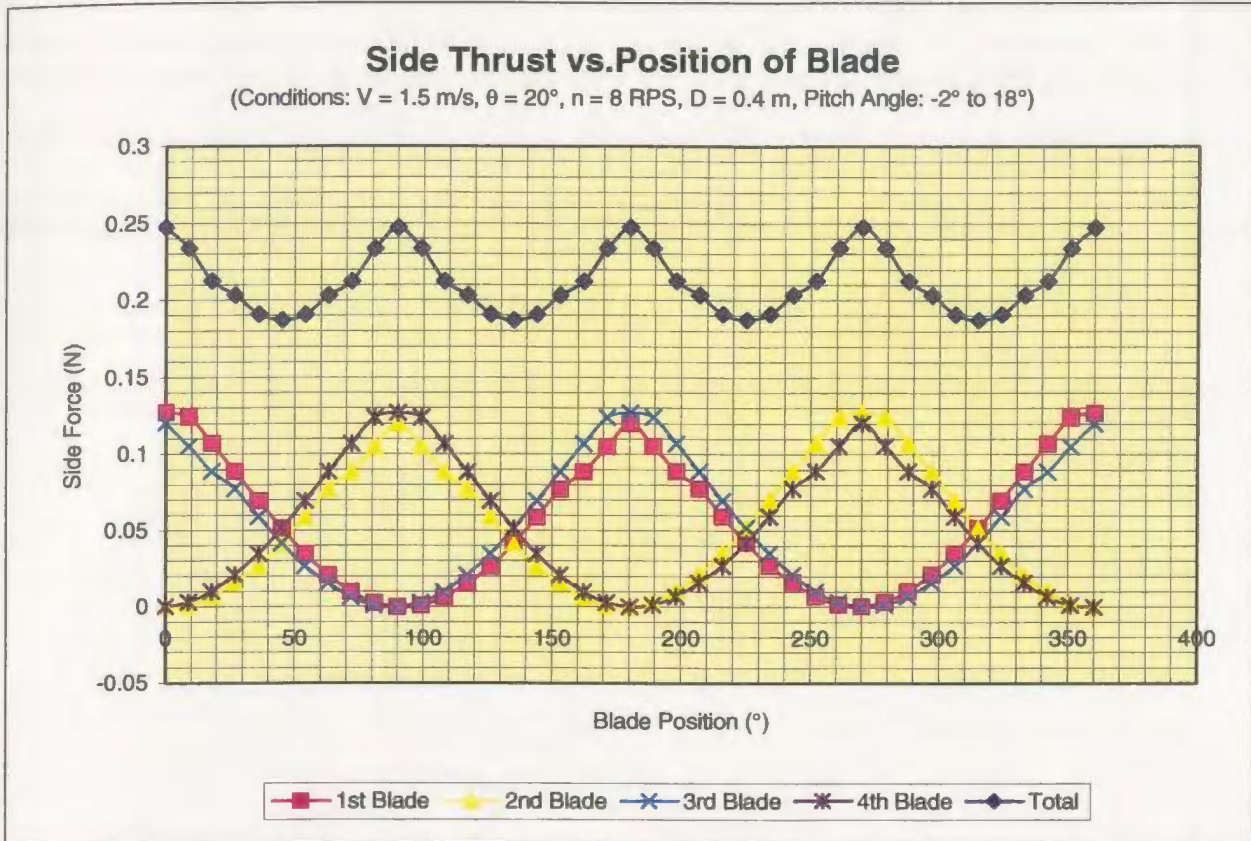


Figure 3.11: Side Force Predictions

3.6 C – SCOUT Drag Curve

In order to determine the propulsive thrust required, it is important to know the drag characteristics of the vehicle as the speed increases. This information allows the designer to determine values for blade pitch, propeller diameter, propeller RPM, etc. A graph illustrating this information can be seen in Figure 3.12. The graph was generated using data from the self-propulsion trials by

Thomas [2003]. This graph will be used later in this thesis to determine the approximate speed of a C-SCOUT vehicle propelled using a CPCPP system.

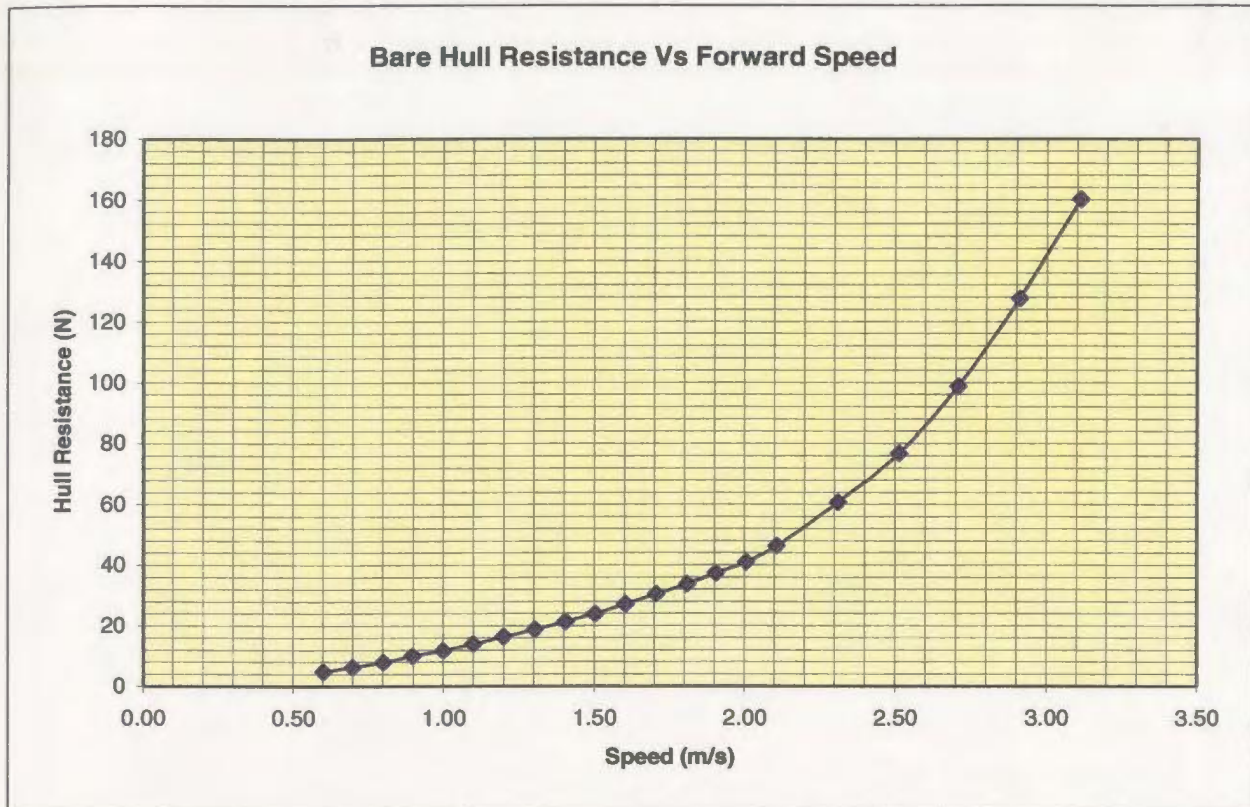


Figure 3.12: Bare Hull Resistance Curve for C-SCOUT

Chapter 4

Design Concepts

4.1 Introduction

Due to the complexity of a CPCPP, the propeller was broken down into sub systems to make a comparison of candidate designs. Before initiating design concept, the parameters of the propeller, the constraints and the criteria need to be outlined. These specifications ensure that the completed design will function as intended.

4.2 Design Parameters

As this was a new propeller design, there was a fair amount of freedom in how the final product was to be designed. The final propeller was going to be used with C-SCOUT, so the design had to work with the existing power and communication systems. The final design was also required to be capable of being bolted onto the stern of the C-SCOUT vehicle. The following constraints and criteria were established to achieve these functions. They are outlined in Table 4.1.

Table 4.1: Constraints and Criteria

Constraints	Criteria
<ul style="list-style-type: none">• Maximum Diameter of Propeller Housing: 0.400 m (15.75 in)• Maximum Propeller Diameter: 0.400 m (15.75 in)• Minimum Depth Rating: 30 m (98 ft)• Main Bus Voltage: 24 VDC or 48 VDC• Control Input: TCP/IP, I²C or CANBUS• Mounting: 4 Bolts on 0.350 m (13.748 in) BCD.	<ul style="list-style-type: none">• Final design neutrally buoyant or slightly positively buoyant• Compatible with existing control and power systems• Semi intelligent control system• Electrically controlled and positioned swash plate mechanism• Generate maneuvering and control forces in addition to vehicle thrust, forward and reverse• Robust, easily maintainable design.

4.3 Piston Pump Design

The first concept was modeled on the barrel design of a hydraulic piston pump, Figure 4.1. The hydraulic piston pump uses a swash plate and pistons mounted in a barrel to pump hydraulic fluid [Vickers, 1996]. By inclining the swash plate, the pump can increase or decrease the amount of fluid flow. In the case of a CPCPP, this would allow the control of the cyclic pitch. To control the collective

pitch, an additional motion would need to be incorporated. By moving the location of the swash plate pin, the blade pitch could be adjusted collectively. This design would be limited to two bladed propellers, due to the failure of the pivoting arrangement of the swash plate to provide the necessary cyclic motion required. As testing of a multiple-bladed propeller was desired for performance, this design was not investigated further.

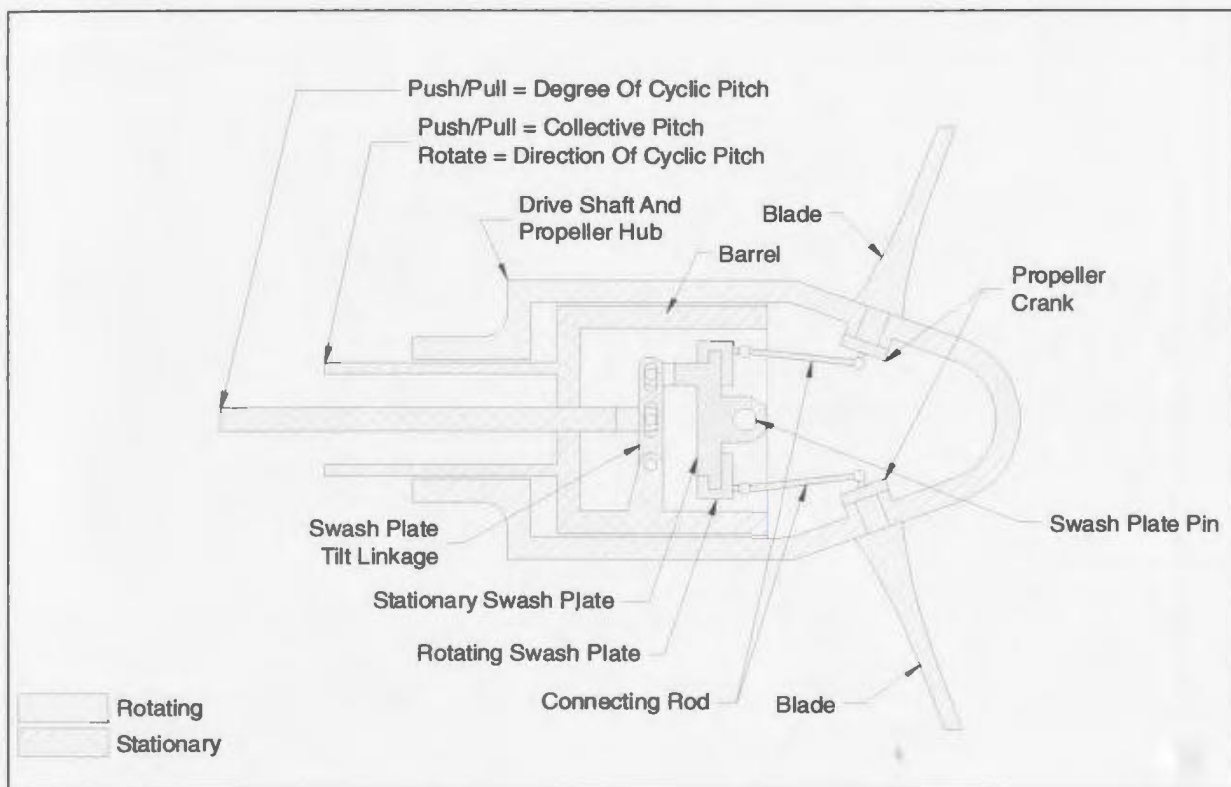


Figure 4.1: Piston Pump Design

4.4 Concentric Shaft Design

The limitations of the cranks on the propeller blades, led to the investigation of a geared connection between the swash plate and the propeller blades. The swash plate would transmit the required translations down a series of concentric shafts. The shafts would then be connected to a gear system in the propeller hub that would connect the gear system to the blades. One of the possible solutions is illustrated in Figure 4.2.

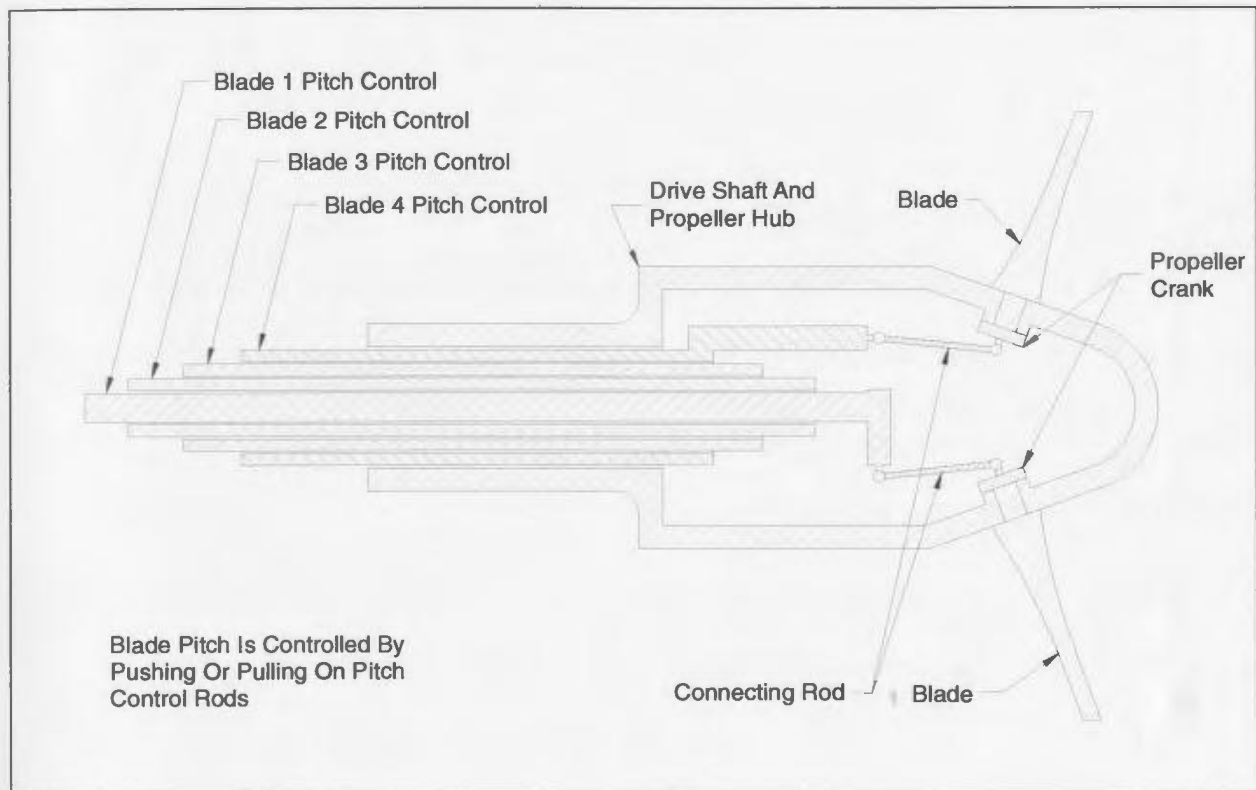


Figure 4.2: Concentric Shaft Arrangement for CPCPP

There are a large number of seals required to make this propeller system function correctly. The difficulty in sealing this system was the primary reason this design was not investigated further during the design of this CPCPP. The manufacture of all of the gears required for this propeller would have made the propeller expensive to build in a one off scenario. While this option was not viable for this particular CPCPP, this method of actuation holds great promise for future CPCPP development.

4.5 Hub Mounted Mechanism

The next concept placed the swash plate mechanism inside of the propeller hub, Figure 4.3. This swash plate could be tilted to obtain cyclic pitch or moved along the axis of the propeller shaft to obtain collective pitch [Bijleveld, 2002]. This concept was modeled in greater detail and appeared to be a practical solution. Placing the swash plate inside of the propeller hub means that the four control rods, which can be seen in the bottom left corner of Figure 4.3, only need to be moved to position the swash plate. This conserves energy and reduces the wear on parts in the dry side of the propeller system.

Upon further investigation, it was discovered that there was insufficient space in the hub to house both the connecting linkages and the swash plate

synchronization linkages. These synchronization linkages ensure that the stationary swash plate does not rotate and that the rotary swash plate rotates in sync with the shaft. Due to lack of space for all of the required linkages, a different approach was required for this particular application.

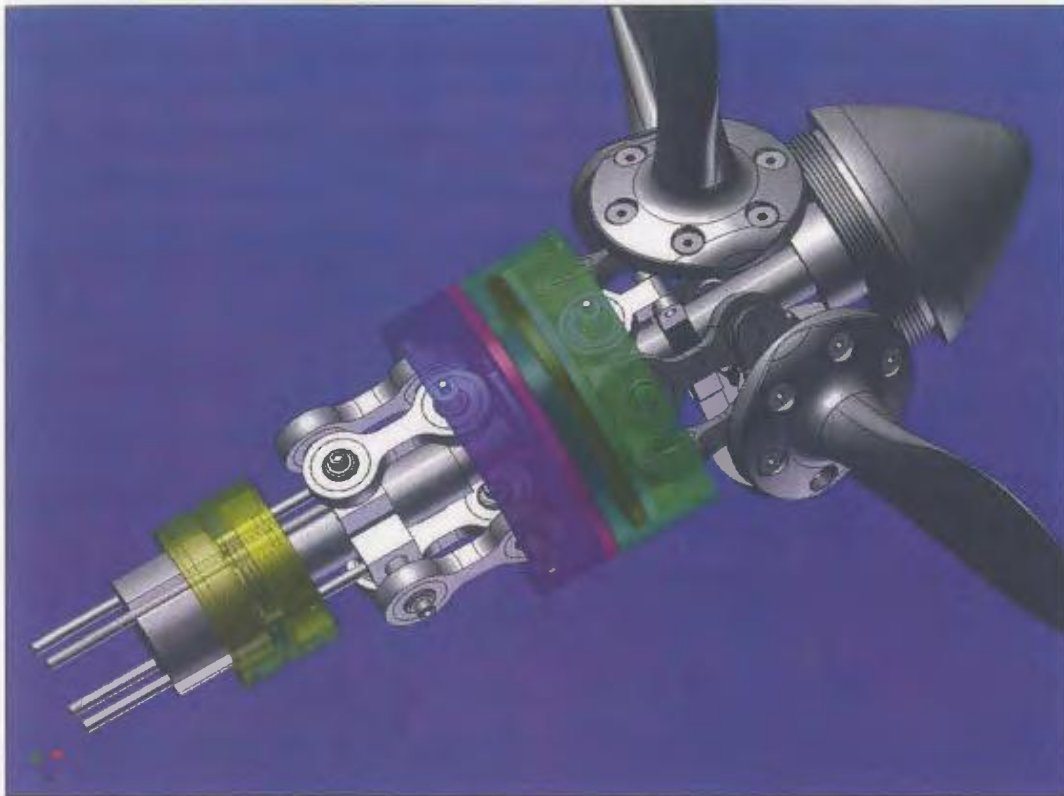


Figure 4.3: Swash Plate in Propeller Hub

This design potentially places all moving parts within the propeller hub. As the propeller hub is filled with lubricant to prevent water ingress, all the mechanical parts are in an oil bath. This would greatly reduce the lubrication maintenance

required. As far as CPCPP designs go, this is one of the best options provided that there is sufficient hub space for the mechanisms.

4.6 Hull Mounted Mechanism

Due to the lack of space in the propeller hub, placing the swash plate inside of the main propeller pressure vessel was explored, Figure 4.4. This configuration has advantages and disadvantages. The primary advantages to the swash plate inside the main vessel are the increased space and reduced size of the propeller hub and the need for only a rotating drive shaft. The blades of the propeller are then connected using four control rods that run down the length of the propeller shaft. As these tie rods rotate at the same speed as the propeller, there is no need for a stationary shaft to carry the control rods like the hub-mounted solution.

By placing the swash plate mechanism inside of the pressure hull, the actuators that are used for position control could be connected directly to the stationary swash plate. This arrangement allows for easier maintenance of the moving parts and related components.

There are some disadvantages with this system. First we now need to seal four dynamic tie rods instead of four static ones. Second, the shaft must be drilled to

allow the porting of the tie rods from the pressure hull to the propeller hub. Finally, the ends of the tie rods must be restrained to prevent buckling under the loads from the swash plate. The solutions to these problems and other design issues will be discussed in more detail in Chapter 5, as this was the chosen design for fabrication.

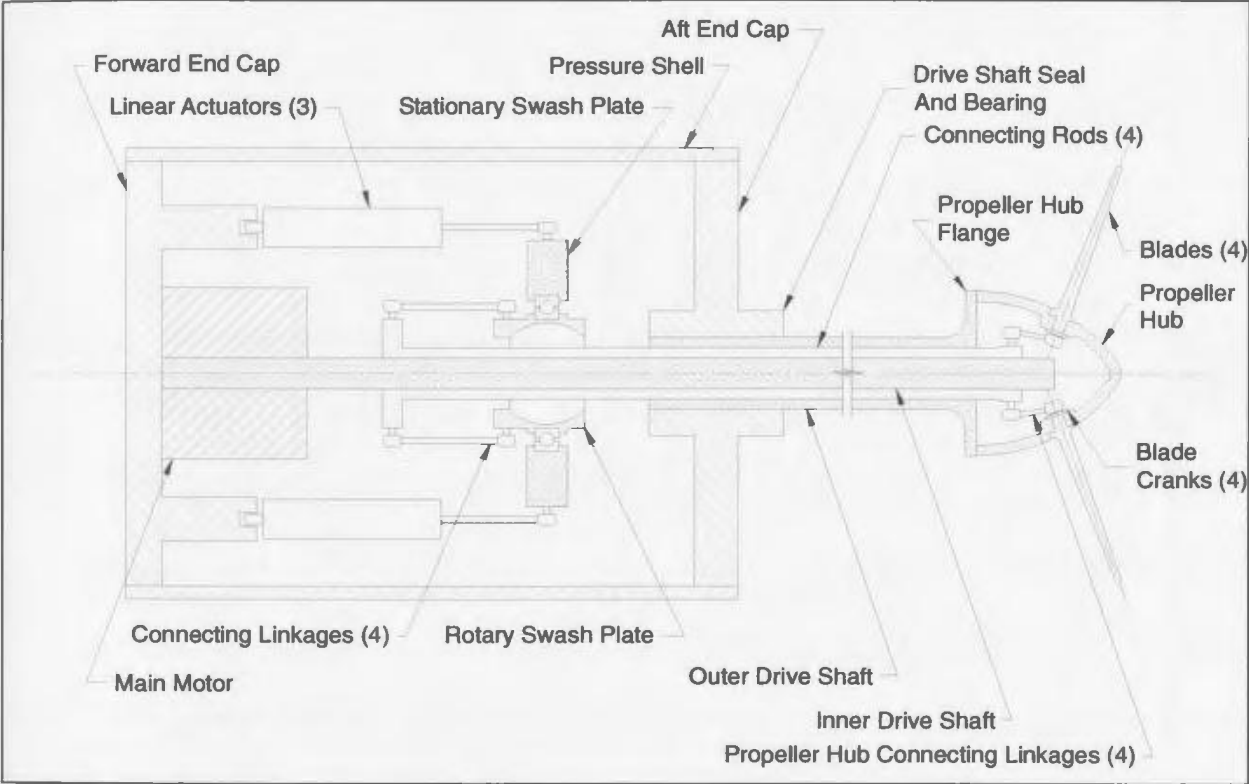


Figure 4.4: Hull mounted Mechanism

4.7 Linkage Concepts

Helicopter rotors utilize a bar linkage system to connect the rotor blades and hydraulic actuators to the swash plate mechanism. For the CPCPP, a modified version of this arrangement seemed to be the best option. This system of connecting parts to swash plates can be found in just about all applications.

One other linkage concept that was investigated involves the use of gears instead of the crank and linkage concept. While this method was ruled out at an early stage due to manufacturing cost on a one off component, this connection system shows great promise. The gear connection system does not suffer from the motion range limitations of the crank solution. The potential for a crank mechanism to lock during operation limits the possible range of angular motion. A gear system does not have this weakness. The geared solution could be particularly useful for further work in feathering propeller systems for underwater gliders, double ended vehicles and, towed vehicles. Double-ended vehicles are fitted with a CPCPP at the bow and at the stern, as in the TPS.

4.8 Shaft Seals

Sealing systems on submersible propulsors and related technologies are always a challenge. Most sealing systems commonly used can suffer from leakage problems. Many thruster designs, like those used in ROVs and AUVs, deal with this issue by filling the thruster with mineral oil and pressure compensating the case. The pressure compensation ensures that the pressure of the oil on the inside of the case matches the water pressure on the outside of the case, and reduces loading on the seals. This allows the thruster's housing to use a thinner wall thickness and hence be considerably lighter than a pressure-retaining version of the same case.

Some manufactures have taken this design to higher levels of sophistication by using a magnetic coupling between the propeller and the motor [RIL, 2002]. This reduces the need for a shaft seal completely. The torque from the motor is transmitted through the wall of the motor housing via rare earth permanent magnets. The propeller is then mounted on external bearings and has a matching set of magnets mounted in its hub. While this solution eliminates the shaft seal, it is not practical for large thrusters (greater than 3.7 kW (5 HP)) due to limited torque transmission. The necessity for control rods in the shaft negates the use of this technology on CPCPP systems.

Another popular solution is to use some form of packing gland and keep the housing at atmospheric pressure [Avallone et al., 1996]. There are many different types of seals that fit into this category. Stuffing boxes, mechanical seals, lip seals and o-rings are some of the more common. Most of these seals have issues with leakage. While this is acceptable for a nuclear submarine or a surface ship, submersible thrusters do not have the volume to deal with leakage. Some seals work very well, such as o-rings and lip seals, but are subject to pressure limitation. Dynamic o-ring seals work better at lower pressures (less than 1.37 MPa (200 psi)). Dynamic lip seals work better at higher pressures (above 1.37 MPa (200 psi)), as they require pressure to complete the sealing action. There is always a trade off between sealing ability and shaft friction.

Mechanical seals are a good choice, as they have low friction and leakage. Contrary to manufactures' marketing ploys, mechanical seals do leak. This leakage is small but it must be dealt with in some manner if these types of seals are to be used.

Chapter 5

Selected Design – Mechanical System

5.1 Introduction

Developing a conceptual design for a collective and cyclic pitch propeller is only a small portion of the work required to construct a working prototype for testing. There are a great many details that need to be investigated and developed. This detailed design phase of the project is where the majority of the design work begins. This chapter will look at the detailed design of the CPCPP mechanical systems.

5.2 Design Methodology

The design of this project began with the design of a control scheme followed by the sourcing of appropriate fixed size components. The decision to make this propeller a self contained semi-intelligent system was one of the first choices made in the detailed design phase. This decision allowed the determination of many of the electronic components that would be integrated with the C-SCOUT communications system and the mechanics of the CPCPP.

The sourcing of the fixed size components was also a very important first step in the design process. The controlling actuators, bearings and seals were all sourced and specified before the detailed mechanical design started. By sourcing these components first, it was ensured that there was sufficient space for all of the components to fit together and function as intended. The mechanical and structural components can then be built around these components to complete a functional design.

5.3 Drive Shaft Development

While there were other methods of translating cyclic and collective pitch from a set of control actuators to the blades of a propeller, the swash plate pair was the simplest and most effective method. For this reason the swash plate pair was chosen for the CPCPP. The stationary swash plate was direct coupled to the linear actuators for precise position control. However, the swash plate being located inside of the pressure vessel necessitated the connection of the rotary swash plate to the propeller blades in the hub. A system of four control rods was required to connect the propeller blades to the rotary swash plate.

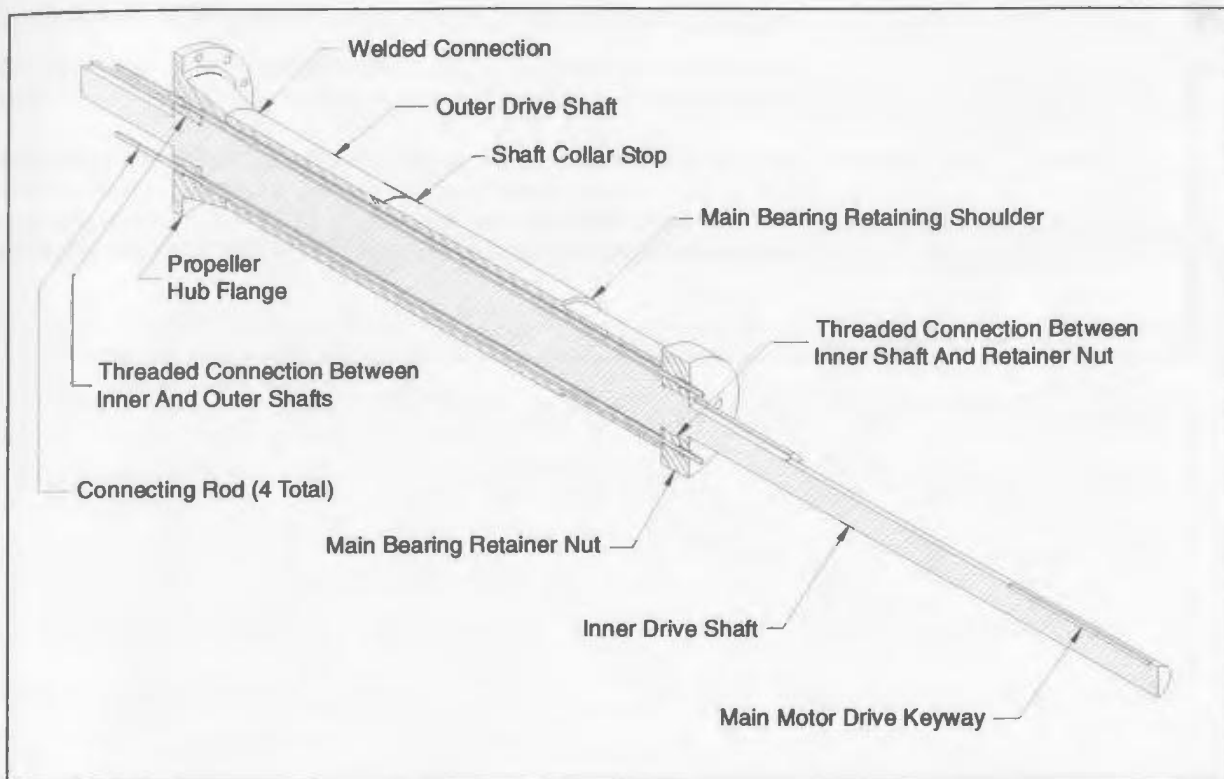


Figure 5.1: Shaft Line Layout

The control rods had to pass down the length of the drive shaft from the pressure vessel to the propeller hub. The best method of accomplishing this task would be to drill four holes 3.18 mm (0.125 in) diameter, located on the quadrant, axes down the length of the shaft (333 mm (13.1 in)). Unfortunately, the level of precision (± 0.13 mm (± 0.005 in)) required to drill these holes down the drive shaft was not achievable in the Memorial University Machine shop. The shaft consequently had to be made in two pieces. An inner shaft was used to transmit the torque and carry the control rods in machined slots. An outer shaft was used for mounting of bearings and shaft seals. The control rods would be sealed at the propeller hub end of the shaft using dynamic o-ring seals. The ends of the

control rods could then be connected to the rotating swash plate on the pressure vessel end, and to the cranks on the propeller blades on the hub end of the shaft. A sketch of this arrangement can be seen in Figure 5.1 above.

The completed drive shaft becomes the backbone of the CPCPP system. The drive shaft serves as a locating component of the main motor, swash plate and propeller hub in addition to transmitting torque from the main motor to the propeller blades. The relationship between the drive shaft and the other components will be discussed in more detail in Section 5.5.

5.4 Component Selection

As mention in the Section 5.2, the fixed size components were selected prior to conducting a detailed design. These components were selected based on load, function and size constraints for the selected conceptual design. While this does not form a complete list of all fixed size components, these components were deemed critical for the development of a CPCPP system. These six components, discussed in Sections 5.4.1 to 5.4.6, were required for the CPCPP to function correctly.

5.4.1 Rod End Bearings

The rod end bearings on the connecting rods of a helicopter rotor provide the necessary degrees of freedom required for proper operation. This was also the case for the CPCPP. The selection of these bearings was based on size, material, loading and range of movement.

The size of the bearings was the first consideration in the selection process, as space in the propeller hub is very limited. The eight selected bearings and their associated linkages had to fit inside of the propeller hub, and move without collisions with each other or the walls of the hub during operation. The large angles associated with motion in the propeller hub also dictated that the bearings required a large usable range of motion.

The materials chosen had to be suitable for seawater service. In the unlikely event that the propeller hub was contaminated with seawater, the bearing would be required to function until the CPCPP could be serviced. For this reason, stainless steel races and balls were chosen, using a Teflon bearing material. The balls were made from a hardened 400 series stainless steel and the races from a PH grade stainless steel.

The loads imparted to the rod end bearings were determined to be fairly light as the pitching axis of the propeller blades was at the quarter chord point. The moment on the propeller blade at this point is theoretically zero for reasonable angles of attack to the flow.

After searching suppliers for bearings, a suitable bearing was found at Pacific International Bearing Inc. The WSSX3T was selected for this bearing. The detailed information can be found in Appendix B.

5.4.2 Swash Plate Spherical Bearing

The spherical swash plate bearing was important to ensure that the swash plate remains centered on the drive shaft. The selected bearing required a large operating angle and a bore large enough to install a Teflon axial bearing around the drive shaft. Pacific International Bearings Inc. had a bearing suitable for this purpose. The WSSX16T had a maximum unmodified inclination angle of 12° and a bore of 25.4 mm (1.00 in) diameter. The material of the swash plate ball bearing was the same as selected for the linkage rod end bearings. More details about this bearing can be found in Appendix B.

5.4.3 Radial Bearings

The main shaft bearings of a propeller must be capable of accepting both thrust and radial loading during operation. The radial bearings resisted the cantilevered loading produced by the propeller, while ensuring the propeller shaft could rotate with a minimum of resistance. The thrust bearing resisted the ahead or astern loads transmitted to the vehicle by the propeller. By using an arrangement of angular contact ball or roller bearings, as shown in Figure 5.2, the developed loads could be resisted by using only two bearings.

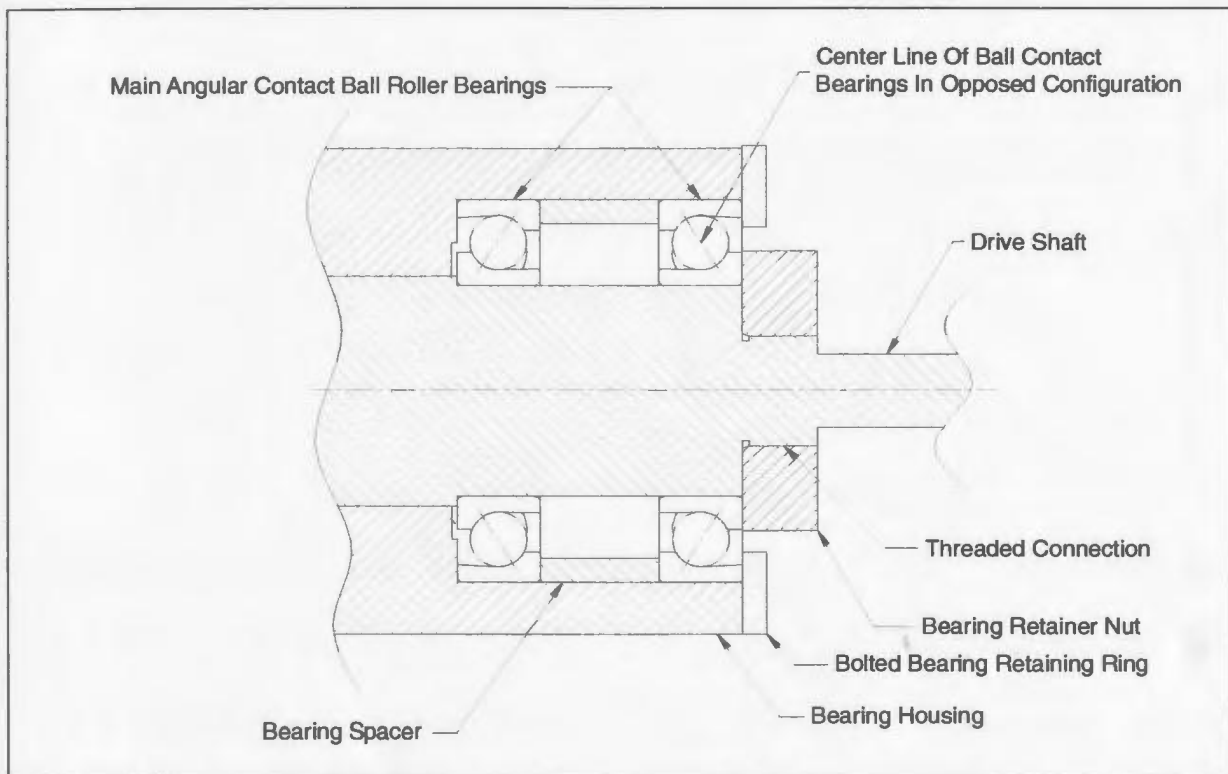


Figure 5.2: Main Shaft Bearings

Angular contact ball bearings from SKF were selected for this application. These bearings could be preloaded to eliminate any backlash and run out present in the installation. The SKF 7211-BEP bearings were found to be sufficiently large to fit over the drive shaft.

The swash plate pair also required a radial bearing to keep the two-swash plates correctly aligned with each other. For this application, a deep groove ball bearing was selected. A deep groove ball bearing was capable of resisting the mild thrust and radial loads imparted by the swash plate. An SKF 61816-2RZ1 bearing was chosen for this application. This bearing also incorporated grease seals on both sides of the bearing races, providing a maintenance free bearing.

5.4.4 Mechanical Seal

The sealing of the gap between a rotating shaft and a stationary housing is a particularly difficult problem for underwater vehicles. Creating a seal with zero leakage is very important for propulsor operation. For the CPCPP, a mechanical seal was elected as the primary shaft seal. The mechanical seal has nearly zero leakage during operation, and very low operating friction. By keeping the operating friction low, a reduction in the torque to overcome friction in the seal could be obtained.

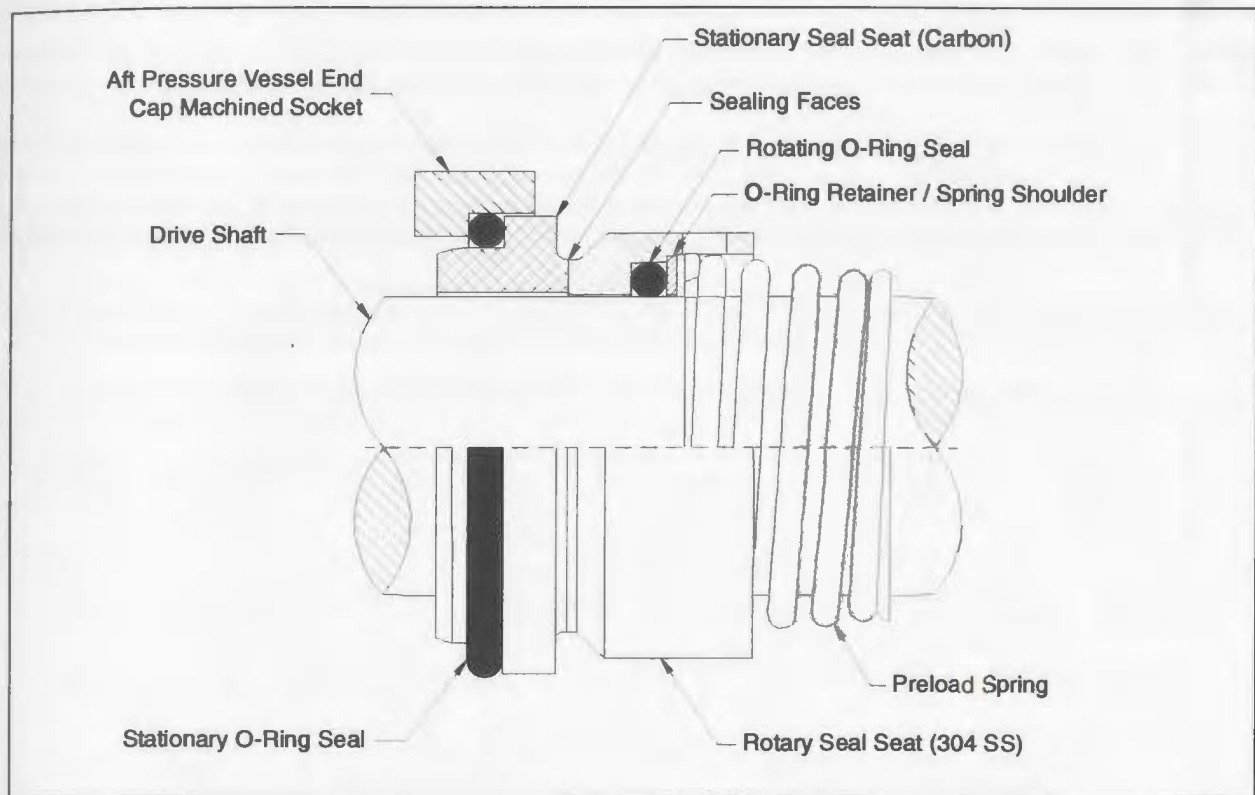


Figure 5.3: Mechanical Seal Detail

Locating a suitable mechanical seal proved to be a difficult challenge, as most seals were manufactured to be used in an existing housing or mount. For the CPCPP, an open frame style seal was required to allow maximum configurability. NE Seal located in Vancouver, British Columbia, stocked a wide variety of mechanical seals for pumps and shaft lines of ships. After consultation with NE Seal an NES-12 was determined to be the best choice for this application. The chosen seal has a shaft basic diameter of 60 mm, a stationary face of carbon, a rotating face of stainless steel, and was configured for right hand operation. The requirement of the preload spring to clamp the rotating components to the shaft limits the seal to right hand operation only. Life of the seal is largely dependent

on operation conditions such as quantities of abrasives and amount of lubrication. A seal of this nature would typically last one to five years depending on the severity of service. A cross-section of the seal can be seen in Figure 5.3 above and dimensional information can be found in Appendix B.

5.4.5 Actuators

The actuators make the positioning of the swash plate to generate collective and cyclic pitch possible. During the conceptual design phase, an electric ball screw style actuator was determined to be the most energy efficient method of controlling the swash plate position and orientation. A search of available technology was conducted to find a suitable actuator.

The actuator required a 50.2 mm (2 in) stroke with a maximum thrust of around 445 N (100 lbf). As the actuator had to be positioned very accurately, a ball screw was selected for rotary to axial transformation. The actuator also required a potentiometer to provide positional feedback for control purposes. The Digit Actuator by Ultra Motion was determined to be ideal and included the required position feedback, Figure 5.4 [Ultra Motion, 2002]. The details for this actuator can be found in Appendix B.



Figure 5.4: Digit Linear Actuator

5.4.6 Main Motor Selection

The main drive motor needed to be of the low speed, high torque variety, as there was no gearbox used in the design. The bus voltage for the motor was specified by the architecture of the C-SCOUT vehicle as 48 VDC. The initial calculations to predict the thrust output of the propeller indicated that a rotational speed of about 600 RPM was desirable for a 305 mm (12 in) diameter propeller.

A power output of 800 W was determined to be the minimum power output required.

Several manufacturers listed frameless motors suitable for use in the CPCPP. A frameless motor is essentially an armature, rotor, and timing electronics. This type of motor is preferred by original equipment manufacturers, as it allows the greatest flexibility in mounting and installation options. However, finding a company to supply a suitable motor was extremely difficult, due to the just in time manufacturing process. Most of the manufacturing companies refused to tool up to make one motor, regardless of the fact that the motors were supposed to be stock items.

After phoning a large majority of the major motor manufacturers that produced a suitable motor, a company was finally located that would produce a single motor for the prototype CPCPP. Bayside Motion Group specializes in manufacturing one-off motors for the scientific and military community. After selecting the parameters required for the motor from their catalogue, they custom wound a rare earth permanent magnet brushless DC motor for the CPCPP, Figure 5.5. The manufacture's specifications and information for the main motor can be found in Appendix B.

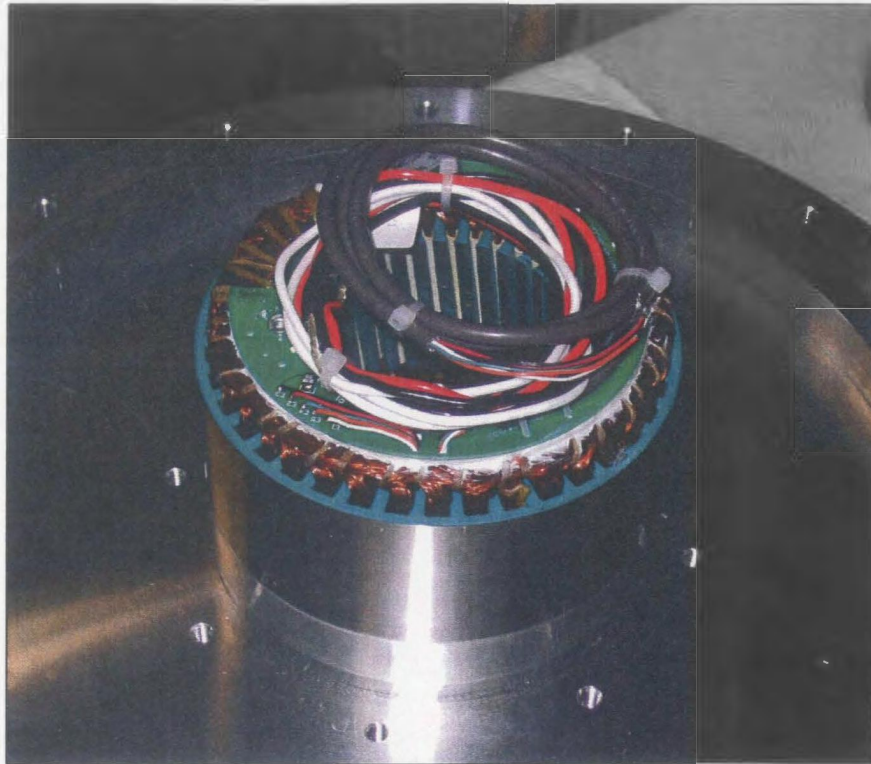


Figure 5.5: Main Motor Armature

5.5 Sectioned General Arrangement

Before developing a full 3D assembly of the CPCPP, a sectioned 2D general arrangement was constructed, Figure 5.6. The general arrangement permitted the layout of major parts and determination of rough sizes, sealing requirements and assembly order of the completed design. A rough general arrangement helped to plan and visualize how the completed design needed to be manufactured to allow easy assembly.

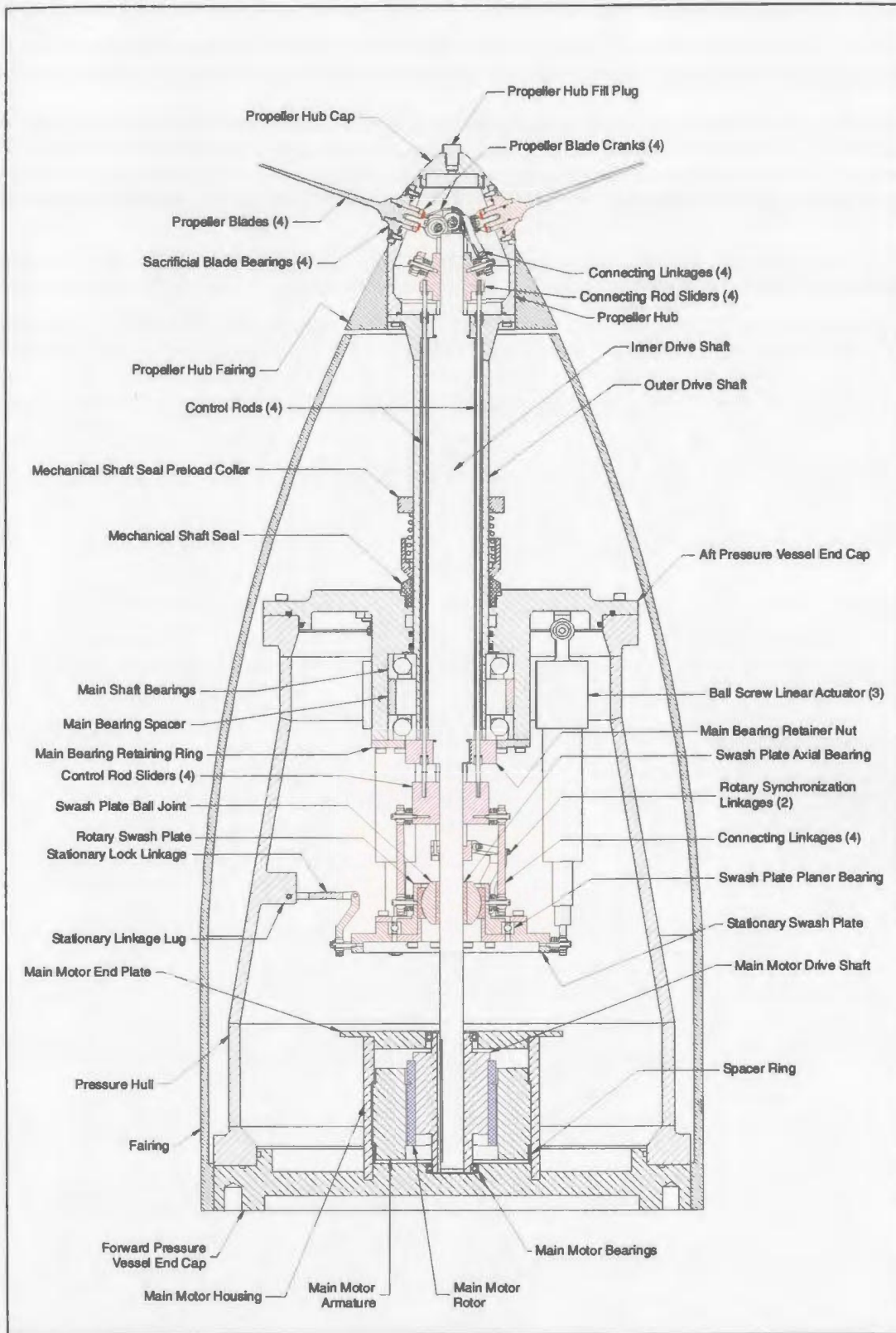


Figure 5.6: 2D General Arrangement Sketch

5.6 Assembly Considerations

There were three primary items considered with the CPCPP, as far as assembly was concerned. First, all of the mechanical components of the propeller system would be mounted to the aft end cap of the pressure vessel. This solution permitted the remainder of the pressure housing to be removed, making all of the moving parts easily accessible for maintenance. This configuration proved invaluable after construction for troubleshooting and fine-tuning the propeller linkages and mechanisms. Second, all of the electrical components were attached to the forward end cap of the pressure vessel, with the exception of the linear actuators. This permitted all of the electronics and electrical penetrations to be removed as a single unit after the linear actuators were unplugged. This made trouble-shooting problems with the electrical system more straightforward. Finally, the propeller hub was designed for blade removal or replacement. While blade replacement was not as important as for a commercial version of this propeller, a CPCPP that was configurable was indispensable for research. The various subassemblies are color coded in Figure 5.6, as indicated in Table 5.1.

Table 5.1: General Arrangement System Color Codes

Color	System
Blue	Forward Pressure Vessel End Cap and Electrical Systems
Cyan	Hydrodynamic Fairings
Green	Pressure Hull
Red	Swash Plate Assembly
Magenta	Aft Pressure Vessel End Cap and Drive Shaft Assembly
Orange	Propeller Blade Assembly

5.7 Parametric Model Development

The designer developing a complicated mechanical system can benefit considerably from using parametric modeling and design. A parametric model allows the designer to spatially verify component fit and interaction. If a problem with the parts in the model occurs, the designer can change the defining parameters to correct the problem without having to completely redraw the assembly. Parametric models are also extremely useful for checking the kinematics of a mechanism. Any collisions between parts or binding of the mechanism can be detected and corrected prior to manufacturing the components.

5.7.1 Shaft Line

The shaft line was the most important part in the development of a parametric model of the CPCPP. This shaft formed the backbone for the completed propeller. The shaft line transmitted the torque of the main motor to the propeller blades, and acted as a guide for the swash plate mechanism. The main shaft also included the main bearing mounts. The guiding system for the axial control rods that transmit the swash plate orientation to the propeller blades was a part of the main shaft assembly. At the propeller end of the shaft, a mounting flange was designed to allow the attachment of the propeller hub, Figure 5.7. Forward

of the main bearing seat, a threaded part of the shaft allowed the installation of a retaining nut, Figure 5.8. This retaining nut secured the shaft to the aft pressure housing cap via the main shaft bearings. The main motor end of the shaft was fitted with a trapped key to allow the main motor to be splined onto the drive shaft.

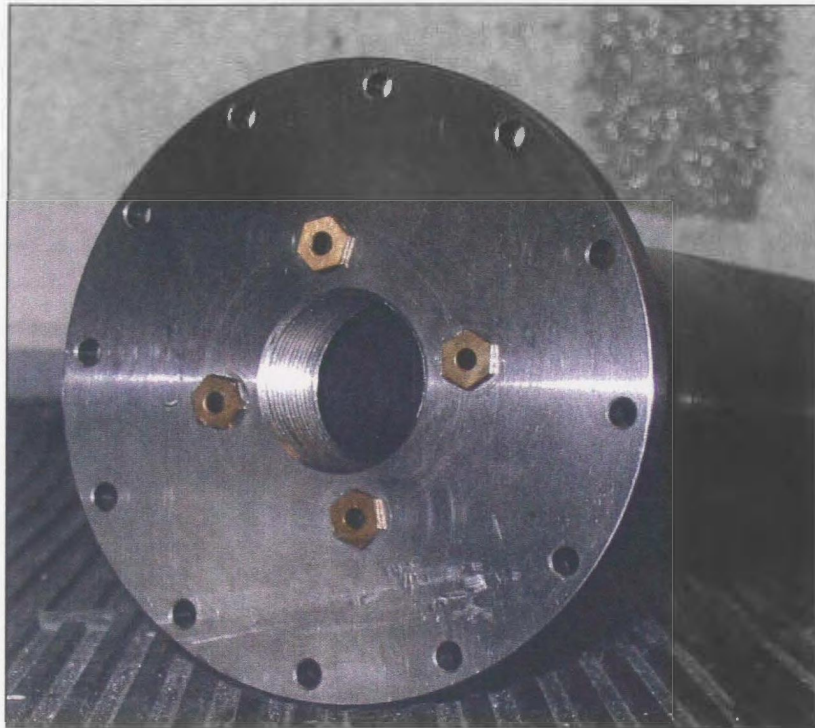


Figure 5.7: Propeller Hub Flange

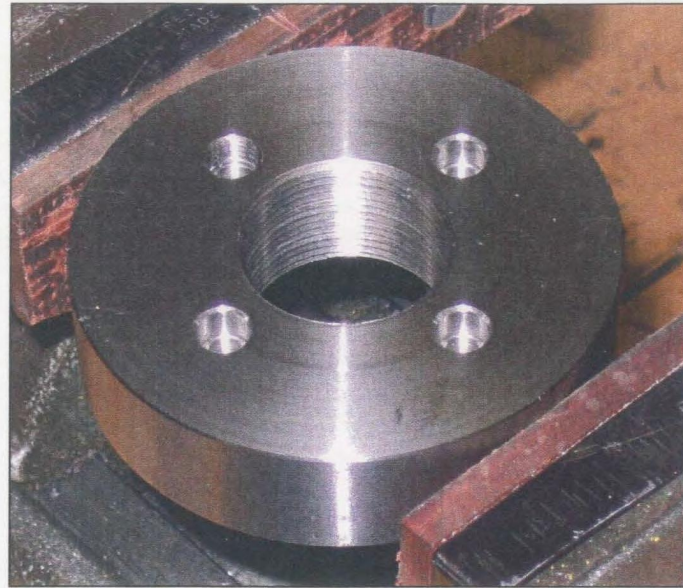


Figure 5.8: Bearing Retainer Nut

5.7.2 Swash Plate

The swash plate mechanism was the next part of the model to be completed. The parts of the swash plate were designed to hold and retain the main spherical ball rod end bearing and the swash plate radial bearing. A section of the completed swash plate can be seen in Figure 5.9.

The design of the swash plate also included the development of the connecting and locking linkages, Figure 5.10. The connecting linkages connect the control rods to the swash plate. These dumb bell shaped components translate the complex motion of the swash plate to the linear motion of the connecting rods running to the propeller hub.

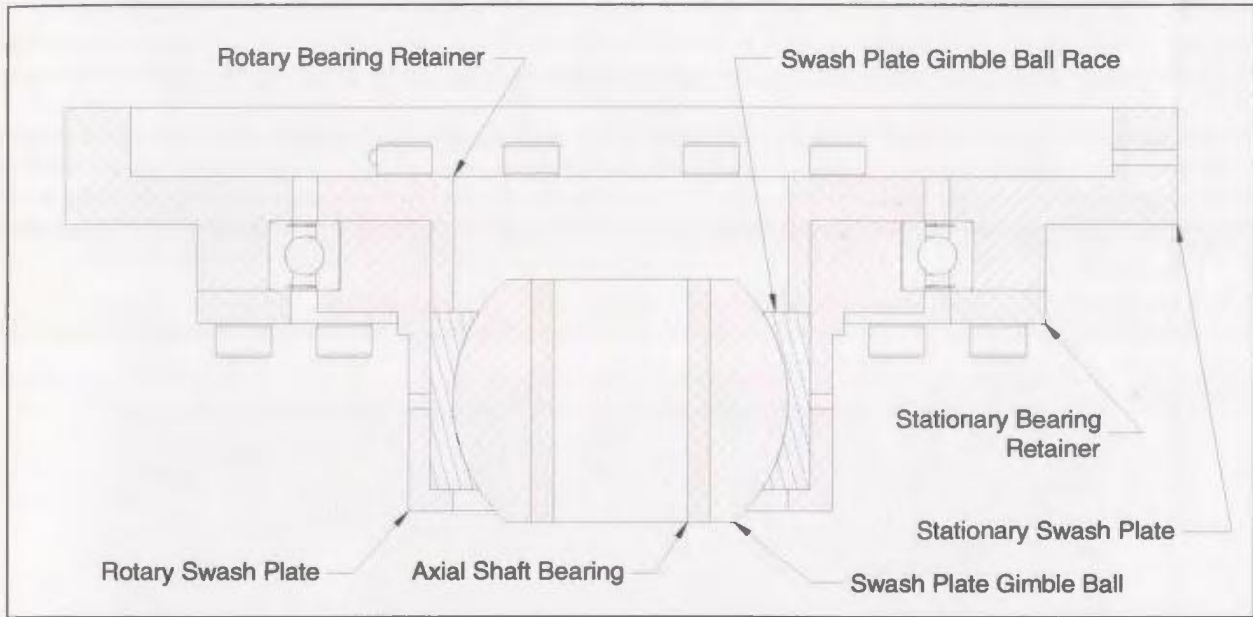


Figure 5.9: Main Swash Plate Section



Figure 5.10: Connecting Linkages

The lock linkages, described in Section 3.2 Swash Plate Mechanics, were an important part of the swash plate design. Adding these components to the model secured the swash plates in the axial rotation degree of freedom. The stationary swash plate was prohibited from rotating, while the rotary swash plate was forced to rotate in synchronization with the main shaft, Figure 5.11.

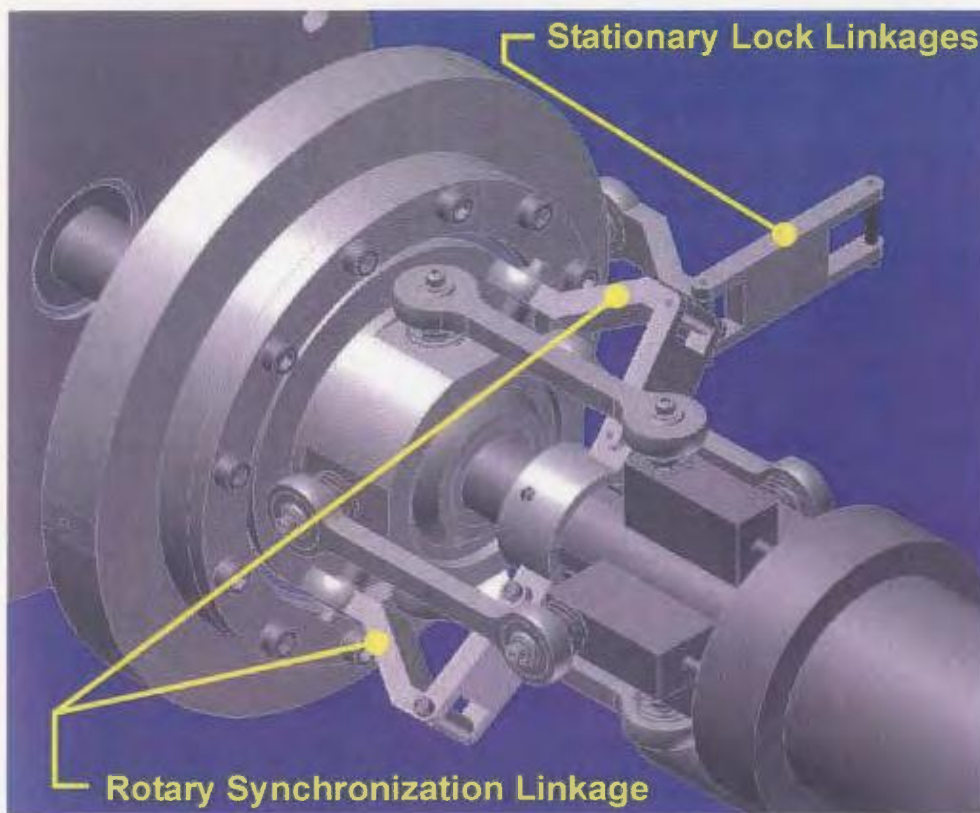


Figure 5.11: Lock Linkages

5.7.3 Propeller Hub

With the swash plate mechanism complete, the next part of the propeller to be modeled was the propeller hub. The propeller hub contains the connecting

linkages, cranks and propeller blades. The blades of the propeller need to be free about the axis of rotation of their shafts and constrained in all other dimensions. The constraining of the propeller blades was accomplished by using a bronze blade bearing. The installation of the crank on the bottom of the blade shaft trapped the blade between the crank and a shoulder on the blade, Figure 5.12. The crank of the blade was then connected using a connecting linkage to the control rods.

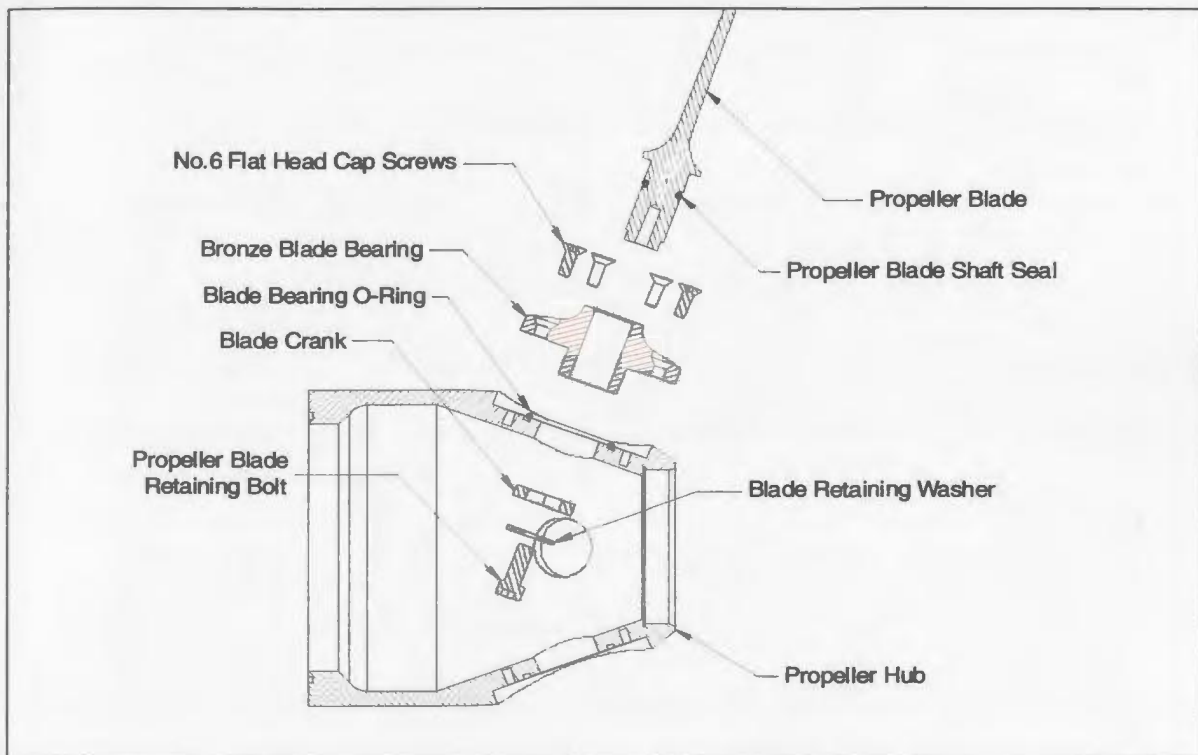


Figure 5.12: Blade installation

The seats for the blade bearings were installed in a streamlined hub at the desired rake angle of 20°. The blade bearings were designed to be the sacrificial component in the blade system and were secured with six screws. The blades

themselves were secured in place by a Loctited single No 10 socket head cap screw. This allowed the blades to be easily removed and replaced. While this was a very useful feature for replacing a lost or damaged blade during operation, this feature also could allow the use of different blade geometries during testing and development.

5.7.4 Pressure Housing

The pressure vessel housing not only kept the water out of the electrical system, but also served as mounting points for the propeller and components inside. The aft end cap of the pressure housing performed as a boss for the main shaft bearings that held the main drive shaft in place. The aft end cap also acted as an anchor for the three swash plate positioning actuators, Figure 5.13.

The hull of the pressure vessel incorporated a lug that serves as the attachment point for the stationary swash plate lock. There were also clips attached to the inside of the hull to secure the wiring harnesses for the linear actuators. These clips prevented the wires from becoming entangled in the swash plate mechanism and being damaged.

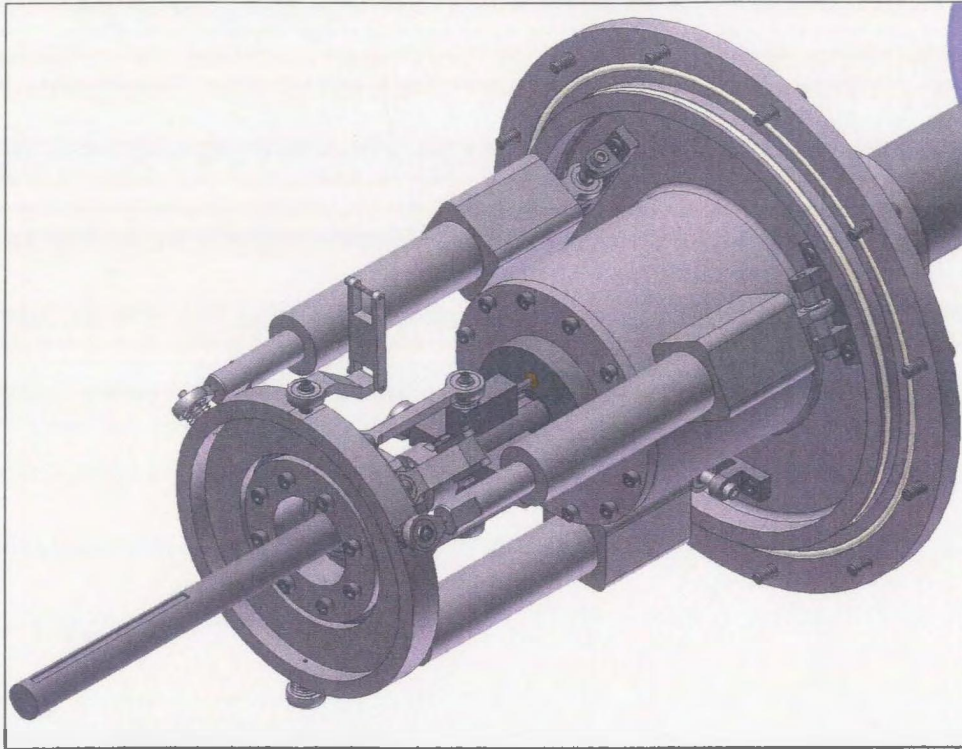


Figure 5.13: Aft Pressure Vessel End Cap

The forward end cap of the pressure vessel served as a mounting point for the CPCPP's electronics and the main motor. By attaching the main motor and the electronics to the forward end cap, all of the wiring and electrical systems could be removed in one piece. This made the system easy to maintain. The forward end cap was also fitted with four tapped blind holes on the outside mounting flange. These bolt holes allowed the propeller to be attached to C-SCOUT's modular frame.

5.7.5 Main Bearings

The main bearings of the CPCPP have to be able to resist the cantilevered loads applied at the end of the drive shaft, as well as the thrust and torque loads that were applied during operation. The bearings chosen for this task were angular contact ball roller bearings. When installed in a back-to-back opposed configuration they were able to resist the required loads, Figure 5.14. The spacer between the two bearings could be custom machined to provide a shaft installation with zero run out.

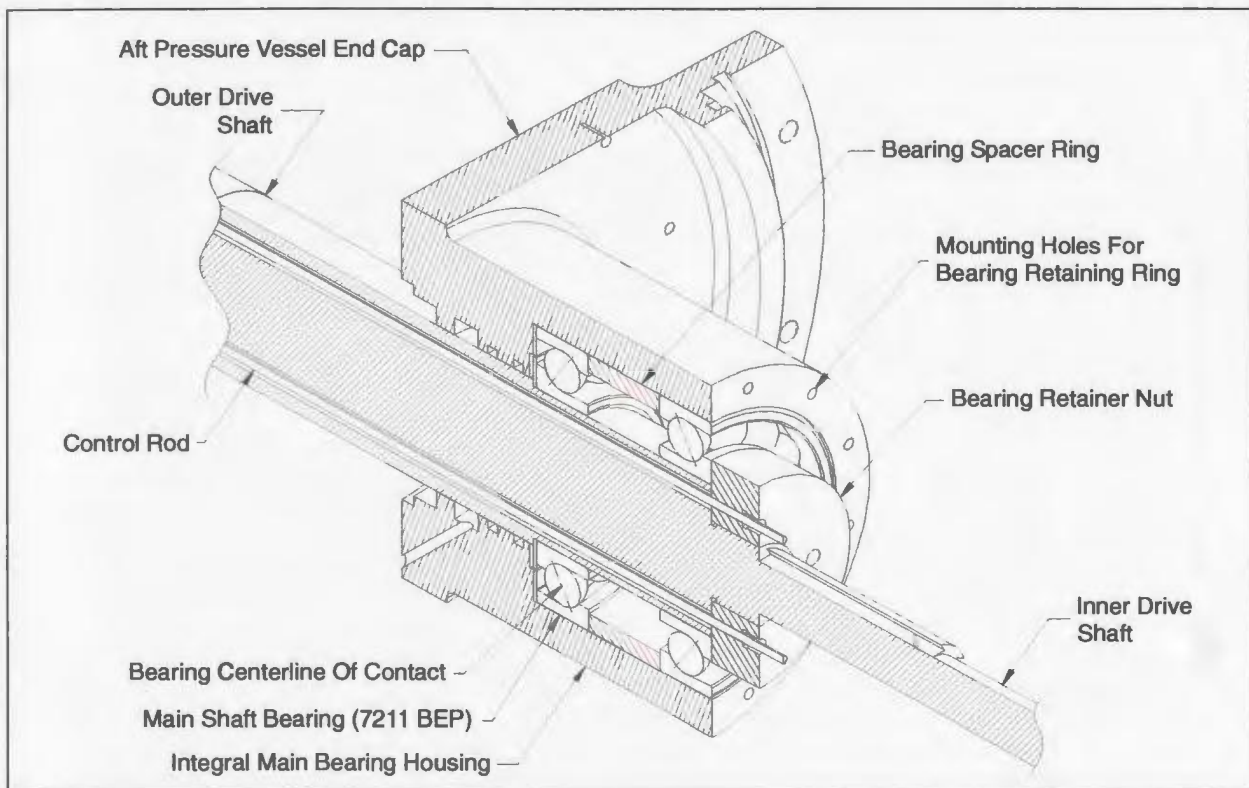


Figure 5.14: Main Shaft Bearing Installation

5.7.6 Main Motor Mounting

The main motor was designed as an integral part of the forward pressure vessel end cap. As a frameless motor was used to reduce the space used in the design, a drive shaft had to be designed for holding the rotor. The main motor outer drive shaft was keyed to the main drive shaft of the propeller. The outer drive shaft was then held concentric in the motor armature by two radial ball bearings at either end of the shaft. One bearing was cut into the forward pressure vessel end cap, while the other bearing was machined into the top of the motor housing, Figure 5.15. The motor housing was then tie bolted into place.

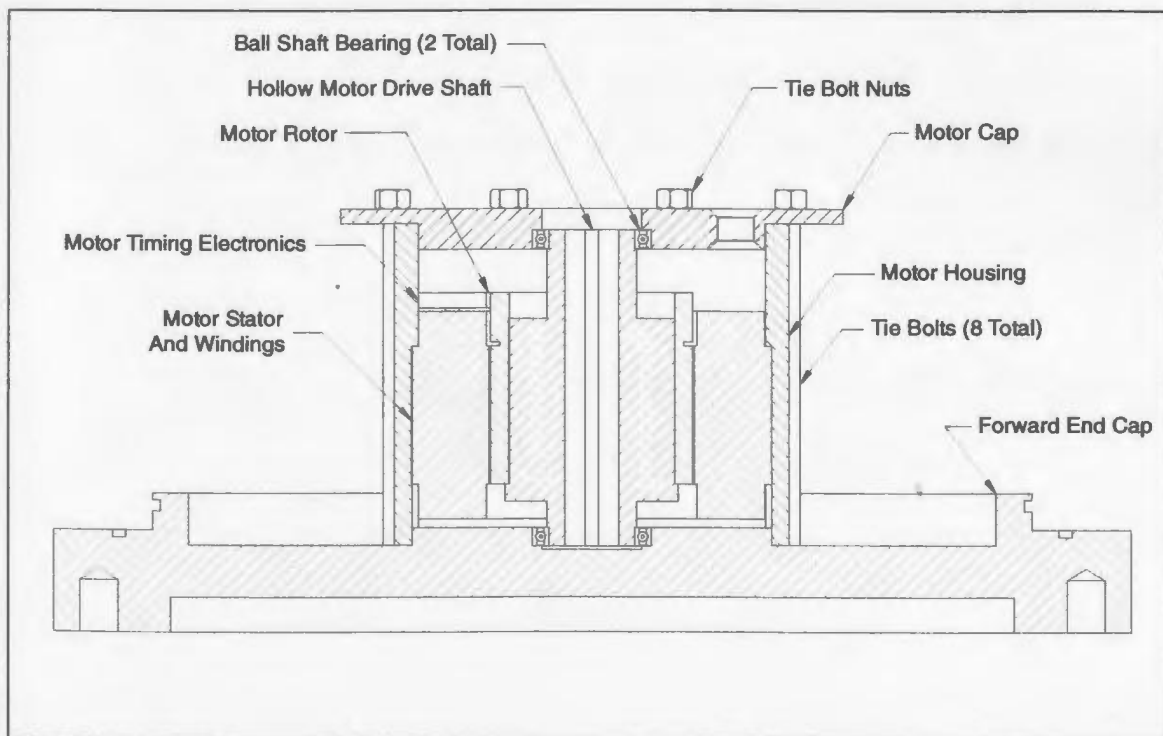


Figure 5.15: Main Motor Section

5.8 Design Verification

Once the parametric model was completed, the CPCPP system could be fully kinematically tested to ensure proper operation. All of the problems with alignment, range of motion, collisions and binding could be diagnosed before cutting the propeller in metal. Potentially, this greatly reduced the cost of fabricating the propeller by avoiding unexpected problems.

There were problems associated with the design of the model during the computer testing. The first problem was with the swash plate mechanism. During the design phase, the need for the swash plate ball rotation vertex to be on the line of action of the rotary swash plate linkages was overlooked. This problem was quickly remedied. The next problem that was encountered was with the collision of the connecting linkages in the propeller hub. The inside of the propeller hub was redesigned to solve this problem. The last major problem was the tendency of the crank linkages to travel over center and lock. This problem turned out to be the result of an incorrect angle between the connecting linkages and the propeller blade cranks. By rotating the propeller hub slightly about the axis of the shaft, the problem was solved.

The propeller model could now be fully animated for demonstration purposes by driving four constraints in the model. The actuator lengths could be set to position the swash plate mechanism. The propeller shaft was then turned about its axis by driving the angular model constraint between the keyway in the end of the shaft and the XZ world plane. The resulting animation could be captured as an AVI video file for use in presentations and design meetings.

5.9 Fabrication

After the parametric model of the propeller was completed and the design verified for functionality, the fabrication stage of the project commenced. The majority of the propeller was fabricated in the Technical Services Shop at Memorial University. The pressure hull was the only component that was not completely made at Memorial University, as they do not have the facilities needed for the forming operations.

5.9.1 Drawing Development

Before the machine shop could start on the parts, detail shop drawings were required, Appendix A. The parametric model was very useful for this process. The final parts could be used to create the orthographic projections, details and sections required to make dimensioned 2D drawings. A small 3D view of the part

was included in the upper right hand corner of the sheet to allow the machinists to better visualize the parts they were fabricating.

In addition to the standard shop drawings for the CPCPP, an exploded assembly diagram was produced and given to the machine shop during fabrication. This exploded view served two primary purposes. The first reason for creating this exploded diagram was to provide a complete part list for the project. The second purpose of producing the exploded diagram was to help the machinists understand how the parts related to each other. When developing something as complicated as a CPCPP, it was felt to be important that all parties involved in the design and construction understood the relationship of the parts being manufactured.

5.9.2 Fabrication Techniques

The CPCPP was designed to make the fabrication of individual parts as simple as possible. While the machine shop at Memorial University has some excellent CNC machines, the majority of the parts were designed to be made on conventional lathes and milling machines. This procedure ensured the greatest flexibility with regards to availability of machines while the propeller was being made. The simplicity of parts also results in lower manufacturing costs.

As it turned out, the majority of the parts were made on the CNC machines. Due to the development of the propeller as a parametric solid, a 3D CAM file could be easily created. This greatly reduced the programming time required by the machinists. The CNC machines could create a part more quickly and more accurately than a conventional machine, especially when there were more than one of the same part.

5.9.3 Problems and Solutions

The creation of a new piece of technology is never without its problems regardless of the amount of modeling conducted beforehand. The CPCPP project was no exception. While many of the potential problems were solved in the design stage, problems with manufacturing, materials and parts always exist.

5.9.3.1 Bearings

The first problem encountered during manufacturing was with the main shaft bearings. The bearings that were received from the supplier had a bore fillet that was not to the manufacturers specification. This resulted in the locating shoulder turned on the main drive shaft not being sufficient to locate the bearing. There were two different solutions devised to solve this problem. The first solution was

to turn a chamfer on the shaft shoulder and use the radius to locate the bearing. The second solution was to install a locating washer between the bearing and the shaft shoulder. After a discussion with the machinist, the first option was selected to solve the problem. If this solution did not work, the second more difficult option could still be implemented. The chamfering of the shaft shoulder was successful.

5.9.3.2 Keyway Broaching

The broaching of a keyway through a hole in a boss is a relatively simple process. The broaching of the main motor shaft, however, posed a significant challenge. On the first attempt, the broach became jammed in the guide and exploded in the press. The shaft was damaged beyond repair and had to be remanufactured. Before the second shaft was broached, a determination of what caused the first one to fail was required.

The length of the broach cut was deemed the cause of the broach failure. A broach consists of a series of teeth that increase in cut depth along the broach. The broach is pushed or pulled through the hole using a guide block and a press. As the teeth of the broach cut, the chips are collected in between the teeth. If the cut is too long, the teeth clog up and jam the broach. This was the cause of the failure of the first broaching.

A series of steps were taken to prevent this problem from occurring on the second shaft. The first step was to drill a hole the diameter of the key in both ends of the shaft at the key location. This reduced the amount of material the broach had to remove and prevented the teeth from being clogged with chips. The second step was to use a series of shims in the guide block to reduce the amount of material cut by the broach. This required many passes to cut the keyway, but reduced the clogging problem.

5.9.3.3 Drive Shaft

Due to the limitations of the manufacturing facilities at Memorial University, the control rod ports could not be machined into the shaft directly. The shaft had to be manufactured in two pieces. The inner piece of the shaft was machined with four slots that would allow the passage of the control rods. The outer shaft was then threaded over the top of the inner shaft. The outer shaft was machined incorporating the bearing mounts and the propeller hub flange. The holes for the connecting rods were drilled through the face of the propeller hub flange and fitted with o-rings to prevent leakage.

A shaft that had drilled control rod ports would be a better design. However, there are no machine shops available in Newfoundland capable of drilling an accurate hole over the required distance of 333 mm (13.122 in). The only facilities capable of reliably drilling these ports in the shaft are rifle barrel manufacturers. While not practical to have one of the shafts made in this manner, this method of manufacture could be useful in a production cyclic pitch propeller.

5.9.3.4 Connecting Linkages

The placing of a ball joint at the ends of a linkage created an unconstrained structure. While this was not generally an issue for helicopters due to the straight connections, the linkages in the propeller hub operated at considerably greater angles. The high operating angles have a tendency to cause the linkages to move outside their maximum operating range. To solve this problem, a pair of springs were installed on each end of the connecting linkage, Figure 5.16. The springs force the connecting linkage to assume a centered position, while still allowing the required range of motion of the ball joint. Finding suitable off the shelf springs proved impossible and custom wound springs were designed and purchased from Chamberlain Spring Ltd.

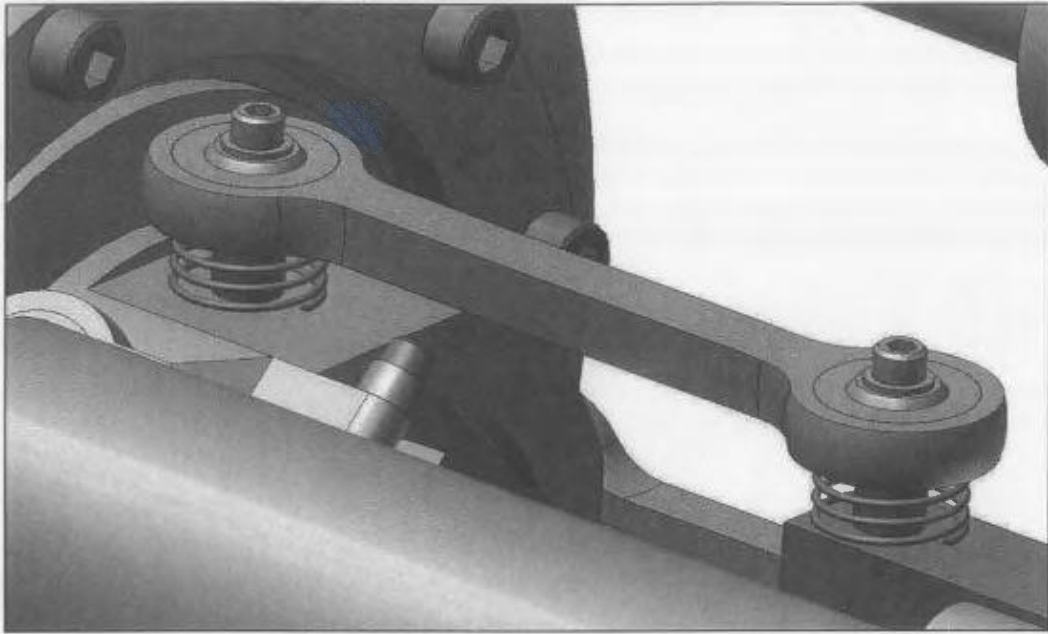


Figure 5.16: Spring Centered Solution

Chapter 6

Selected Design – Electrical System

6.1 Introduction

Before going into the detailed design of each part of the electrical and control system, a general overview of the system was developed, Figure 6.1. The system was based on the distributed embedded modular architecture (DEMA) of C-SCOUT developed by Master of Engineering student Steve Taylor. The completed control system was designed to be a semi-intelligent system requiring only high-level control functions. This unloads the routine tasks of actuator positioning to the single board computer onboard the propeller instead of taking up valuable processing power from the mission control computer on the AUV.

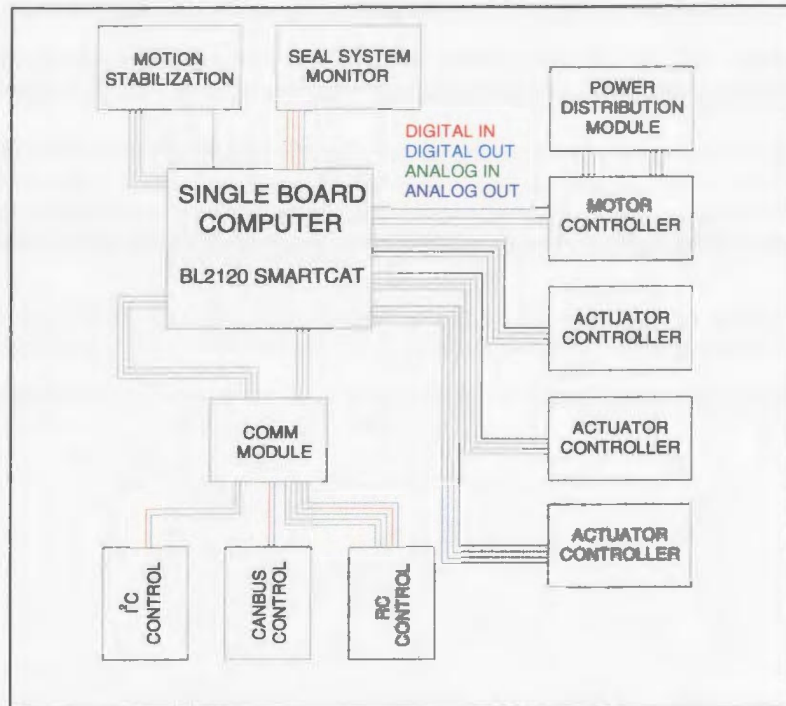


Figure 6.1: Control System Architecture

6.2 Main Motor Controller

The main motor controller was the first component that was developed for this project. The main drive motor required a three-phase brushless direct current driver that could supply 20 A at a 48 VDC bus voltage. Brushless DC motors are manufactured with three phase windings. Electronic Commutation switches these windings appropriately to make the motor rotate. Due to cost and size constraints, an attempt to manufacture this driver from scratch was undertaken. After a search for suitable electronics the following controller schematic was developed, Figure 6.2.

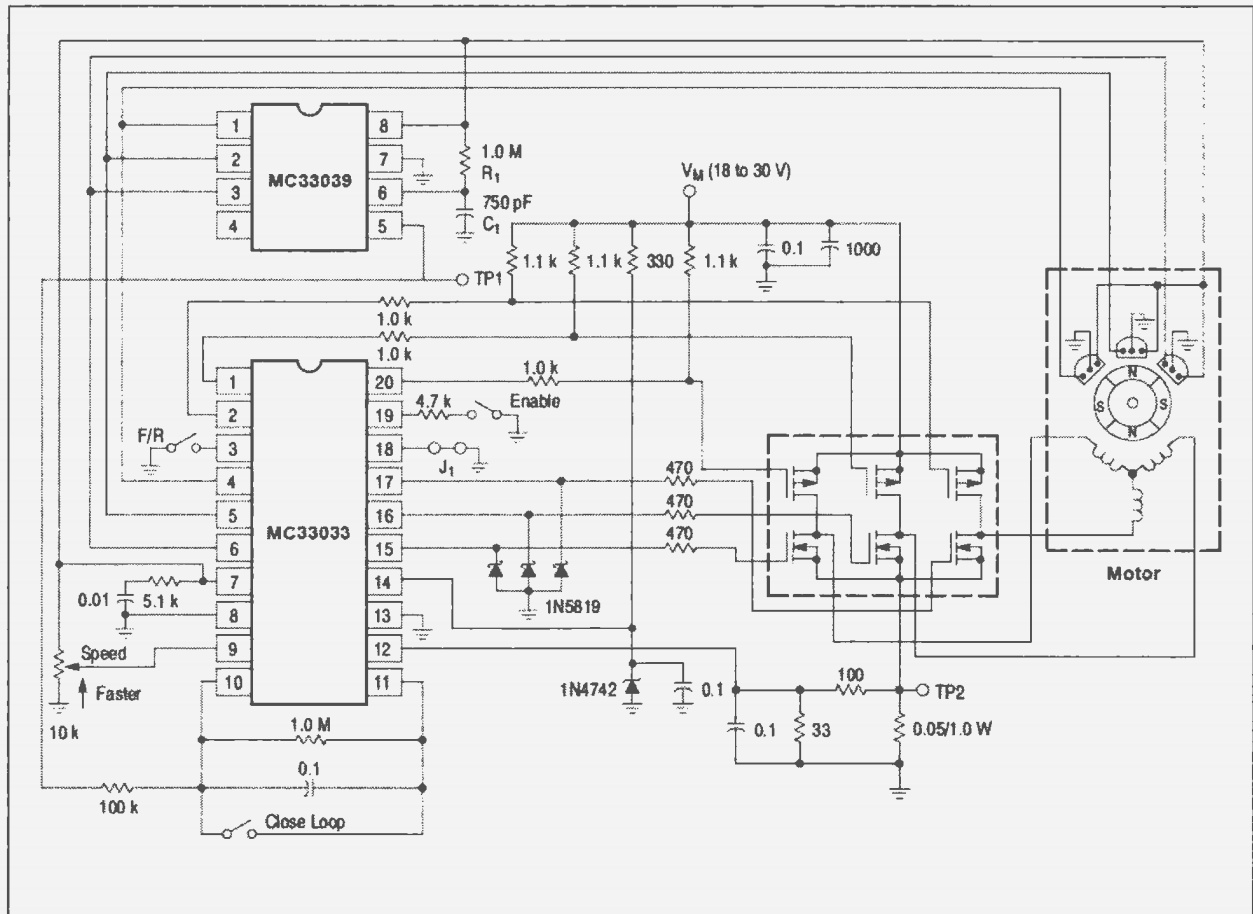


Figure 6.2: Main Motor Controller Schematic

The heart of this controller was a MC33033 motor control chip with a MC33039 closed loop speed control chip [On Semiconductor Inc., 2004]. The motor control chip was used to trigger a series of MOSFET power transistors that supply current to the main motor windings. The MOSFETs are switched on and off in sequence to provide current to the correct windings causing the motor rotor to rotate. The position of the motor rotor was sensed using three Hall effect sensors. The generated pulses were fed into the MC33033 and MC33039. The signals to the MC33033 told the motor controller when to turn on the MOSFETs,

while the signal to the MC33039 was analyzed to determine the pulse rate. The pulse rate was then fed into an integrator circuit connected to the MC33033. The integrator circuit was used to close the loop for speed control.

Speed control for the main motor was controlled using pulse width modulation (PWM) of the MOSFETs. The pulse width modulation effectively reduced the voltage to the main motor windings [Stiffler, 1992]. By varying the duty cycle of the PWM signal it was possible to control the speed of the motor. The speed of the motor was set using a digital potentiometer (pot). This digital pot was used to adjust the reference voltage that was fed into the integrator circuit. By changing the reference voltage using the digital pot, the input voltage to one side of the error amp in the integrator was changed [Stiffler, 1992]. This change caused the PWM signal to be increased or decreased to speed up or slow down the motor. When the new motor speed signal balances with the reference signal the new motor speed has been reached.

There were some problems with the initial circuit schematic due to bus voltage limitations. I modified the controller schematic to address these issues, Figure 6.3. The first issue was that the maximum supply voltage for the MC33033 was 30 VDC. Splitting the circuit into power and control stages solved the bus voltage problem. The second problem was with the use of P-channel MOSFETs.

A drop of 4 VDC in the source-gate voltage switched a P-Channel MOSFET. As the source voltage for the P-Channel MOSFETs was 48 VDC, a buffer circuit had to be installed between the gates of the MOSFETs and the topside drive outputs for the MC33033, Figure 6.4.

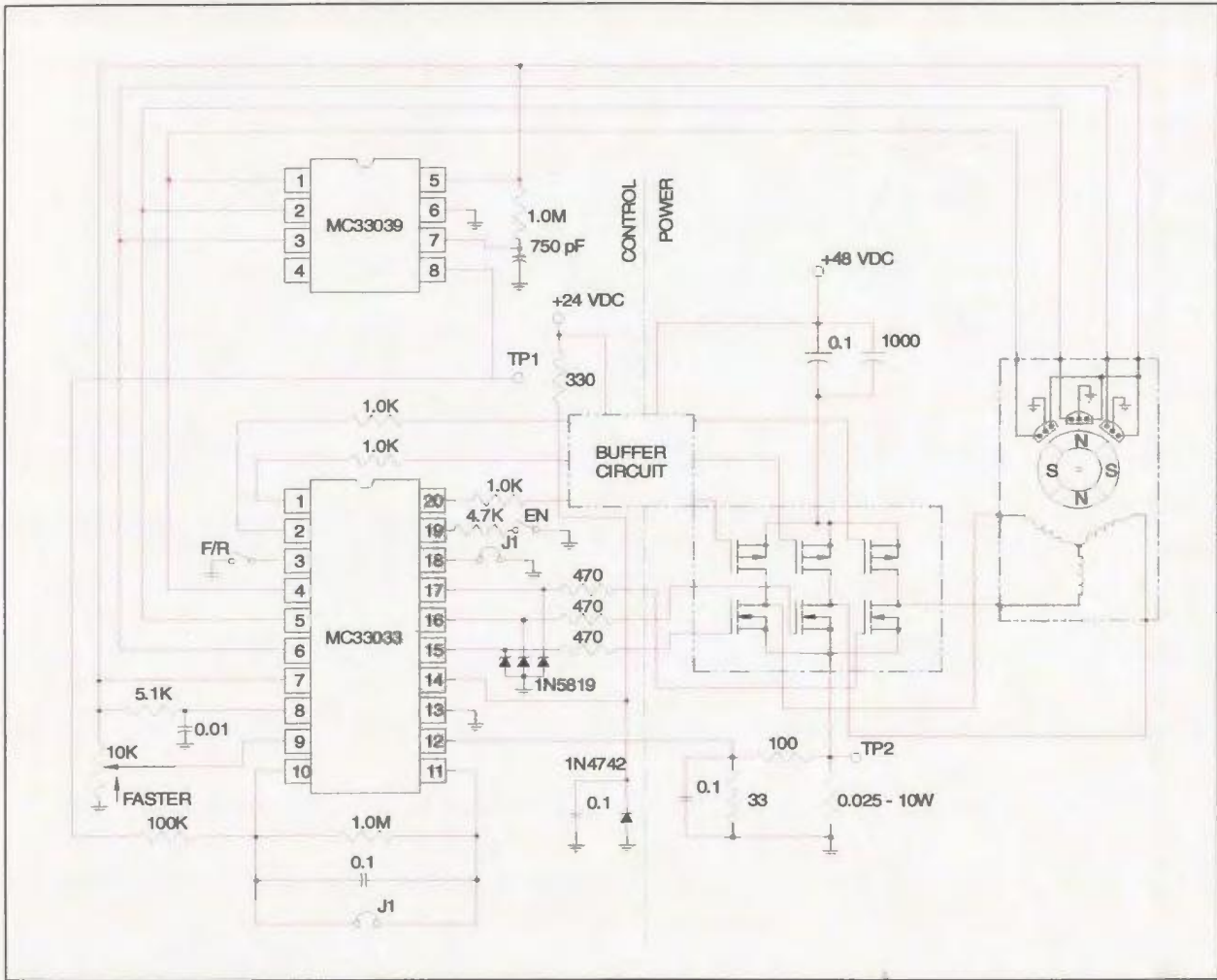


Figure 6.3: Modified Main Motor Controller Schematic

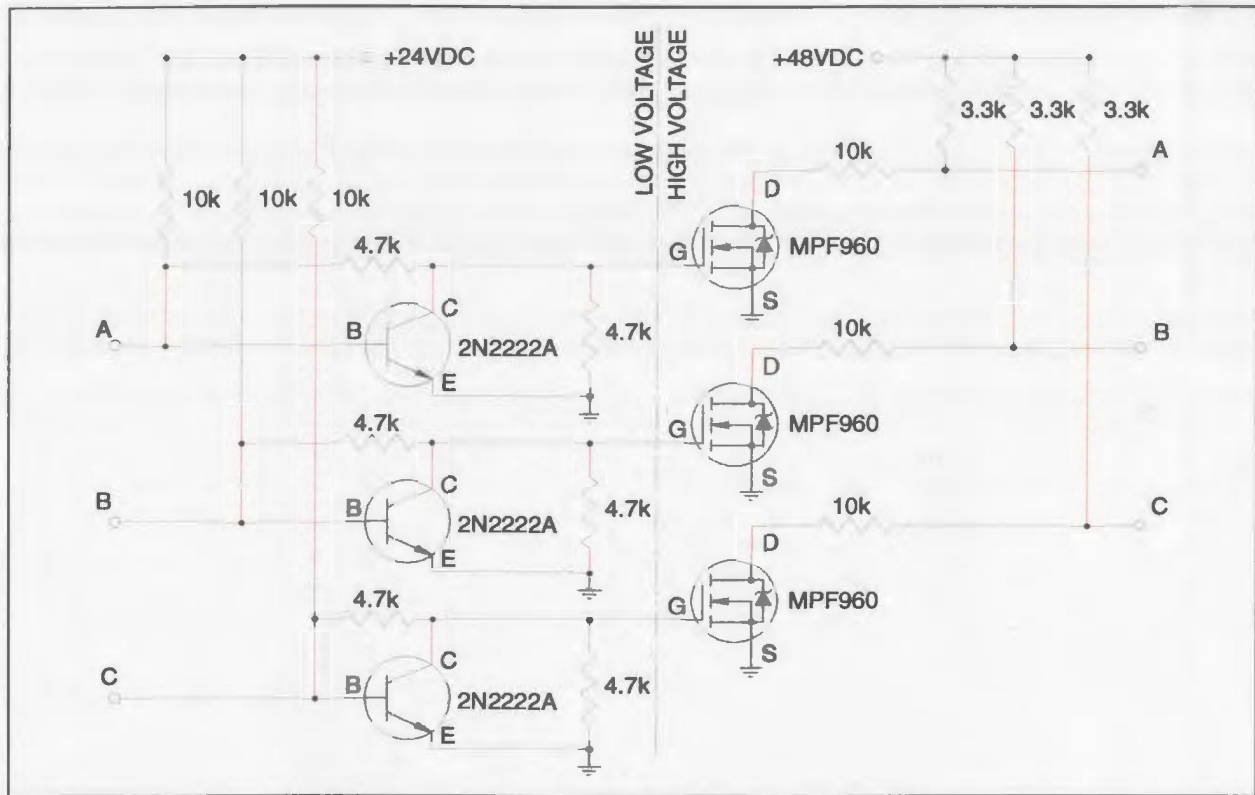


Figure 6.4 Buffer Circuit Schematic

The schematic for the main motor controller was implemented on two printed circuit boards (PCBs) that were built and populated by Technical Services at MUN. The testing of the completed circuits demonstrated that there was a considerable amount of work required for tuning and optimization of the final main motor controller. The P-channel MOSFETs were proving to be troublesome, as there were switching delay issues as a result of the necessary buffer circuit. The controller was going to require some redesign and a new PCB made to incorporate the modifications. In the interest of time, it was elected to use a less flexible trapezoidal servo motor controller for the prototype CPCPP, Figure 6.5.

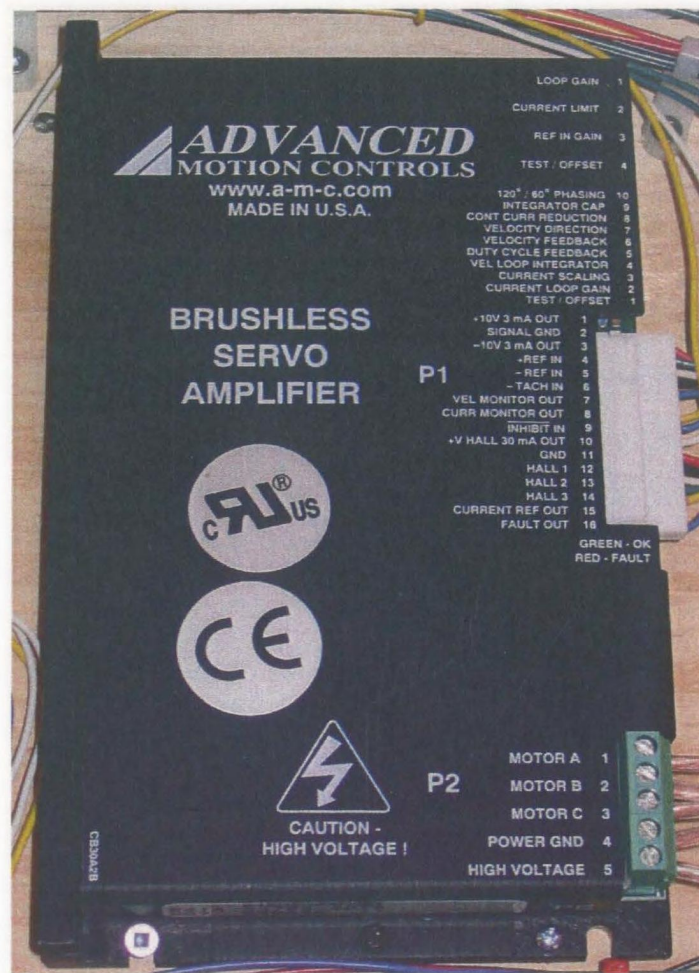


Figure 6.5: Commercial Trapezoidal Motor Controller

While this controller could operate the main motor at the maximum rated speed, it was not designed to allow speed control. While this would be an inconvenience for the testing of the cyclic pitch propeller, when installed on the free swimming version of C-SCOUT, the speed could be controlled in the captive tests by varying the bus voltage for the motor using an external power supply. As the propeller is required, during normal operation, to run at a continuous speed, this controller would prove very suitable for a production CPCPP.

6.3 Actuator Controller

The actuator controllers were also developed from scratch for the CPCPP. These controllers were designed around the SLA7024M stepper motor controller. These prepackaged motor controllers were capable of providing the required 1.2 A at a 24 VDC bus voltage needed by the actuators. The timing logic and control feedback were accomplished using a Microchip Corp. PIC16C715 Microprocessor. The completed circuit schematic can be seen in Figure 6.6 [Allegro Microsystems, 2002].

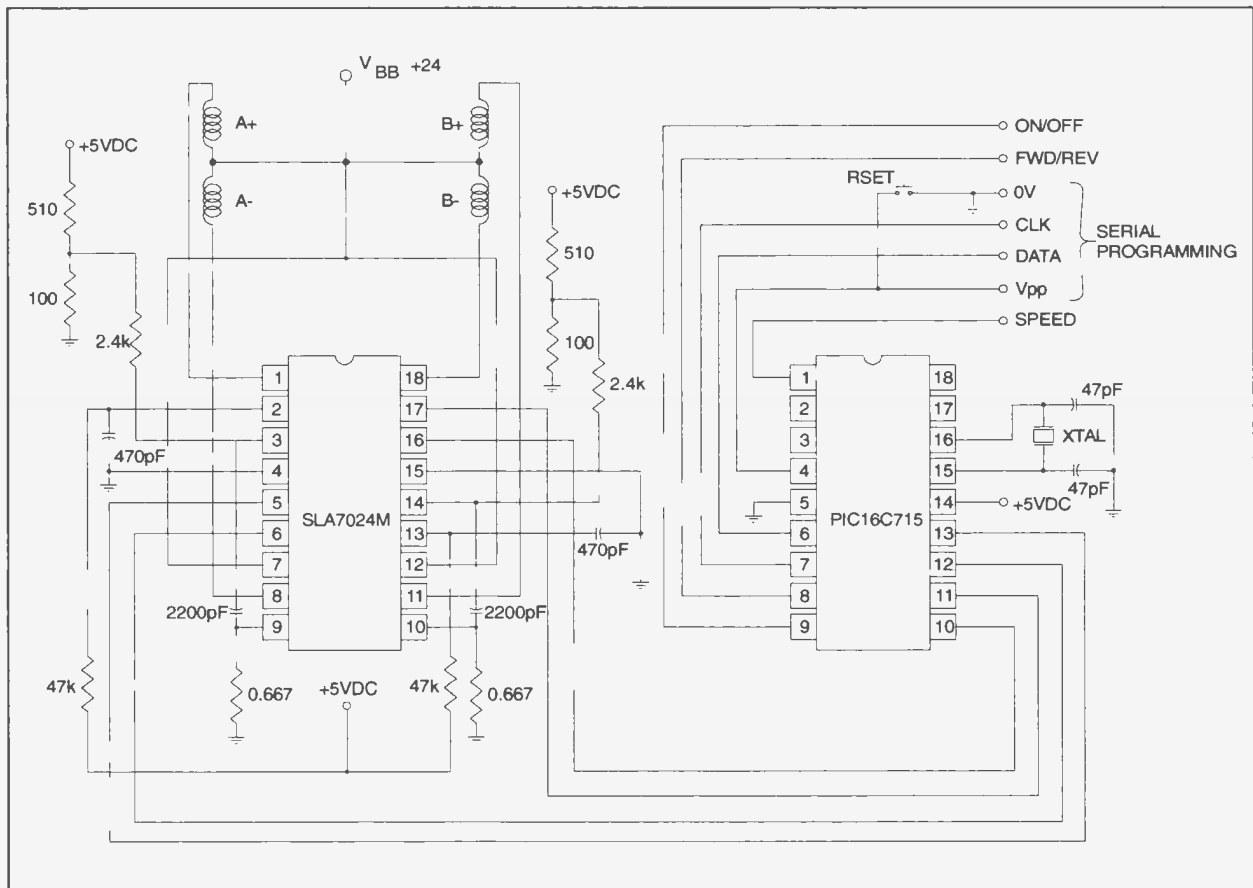


Figure 6.6: Actuator Controller Schematic

These controllers were constructed and assembled by Technical Services at MUN. The initial testing of these controllers presented some problems with their design. The feedback control was the worst of these problems. The operational amplifiers used to increase the voltage spread for the A/D converter in the PIC suffered from excessive noise in the signal. A redesigned version of this controller was going to be necessary before a working version could be installed on the CPCPP.

In the interest of time, the development of these controllers was discontinued and a commercial stepper motor controller was sourced. The Applied Motion Products 3540m Step Motor Drive was selected for this application, Figure 6.7. These commercial drivers provided half step control to the swash plate actuators [Stiffler, 1992]. The 0.9° half step resulted in an actuator motion of 0.0079 mm (0.0003125 in) of linear travel. The stepper drive required three 5 VDC logic signals. The first signal was to enable the drive. The second signal set the actuator direction of travel. The final signal told the controller to step the motor. This step signal could be used to control the motor's speed using PWM with a 50% duty cycle. The faster the pulses to the driver, the faster the stepper motor would turn, while the number of pulses controlled the amount of extension or retraction of the actuator.

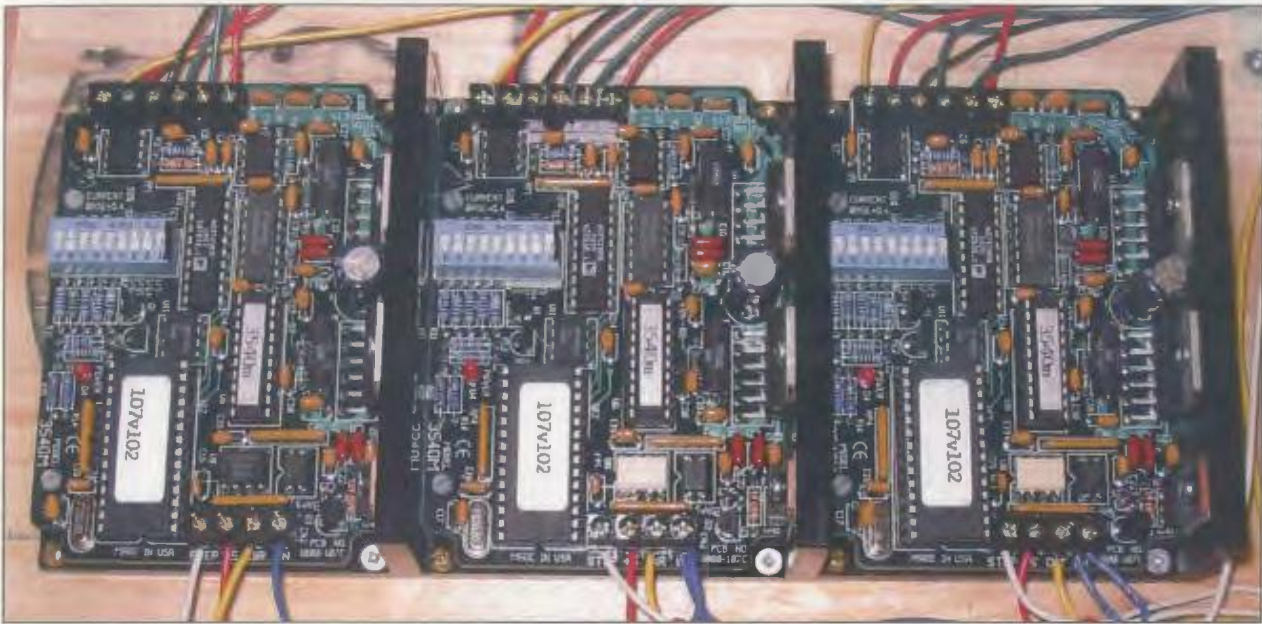


Figure 6.7: Stepper Motor Drivers

6.4 Power Distribution

The power distribution system for the CPCPP was divided into two separate systems: main power system and control system power. The separation of the two systems helped to eliminate the transfer of signal noise from the power stage to the control stage. Noise in the control stage of the electrical system could cause unwanted errors in the analog filters and amplifiers used to determine the position of the swash plate.

6.4.1 Main Power System

The main power system consisted of a positive 24 VDC rail, a negative 24 VDC rail and a ground rail. This allowed the actuators to be powered between one of the 24 VDC rails and ground, while providing 48 VDC for the main motor controller. A schematic of this system can be seen in Figure 6.8. As shown in Figure 6.8, the main motor controller and the actuator drivers circuits were fused to prevent them from being damaged in the event of an over current condition. This protection was in addition to the current limiting circuits that are built into each controller. The actuator drivers have a maximum current draw of 1.2 A and are protected with a 1.5 A fast-blow fuse. The main motor controller was rated for 20 A. The current limiting adjustment on the controller was set at 17 A, as this was the maximum rated continuous current for the motor. Therefore, a 20 A slow blow fuse was used to protect the main motor circuits.

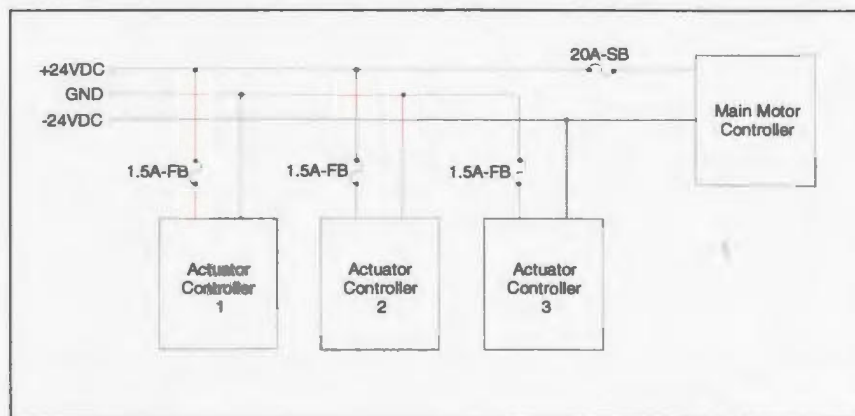


Figure 6.8: Main Power System Schematic

6.4.2 Control System Power

Using an extension of C-SCOUT's existing power system, the control system power architecture for the CPCPP was developed. The CPCPP control system required +24 VDC, ± 12 VDC, +5 VDC and Signal Ground. The 24 VDC was required to power the single board computer used to control the CPCPP. The ± 12 VDC were required to provide the rail voltages for the instrument amplifiers used by the RPM, current and actuator position sensors. The 5 VDC was used as a reference voltage for the potentiometers and for digital TTL logic circuits. The 5 VDC voltage also supplied the digital I/O ports on the single board computer for logic operations. A schematic of the control system power layout can be found in Figure 6.9.

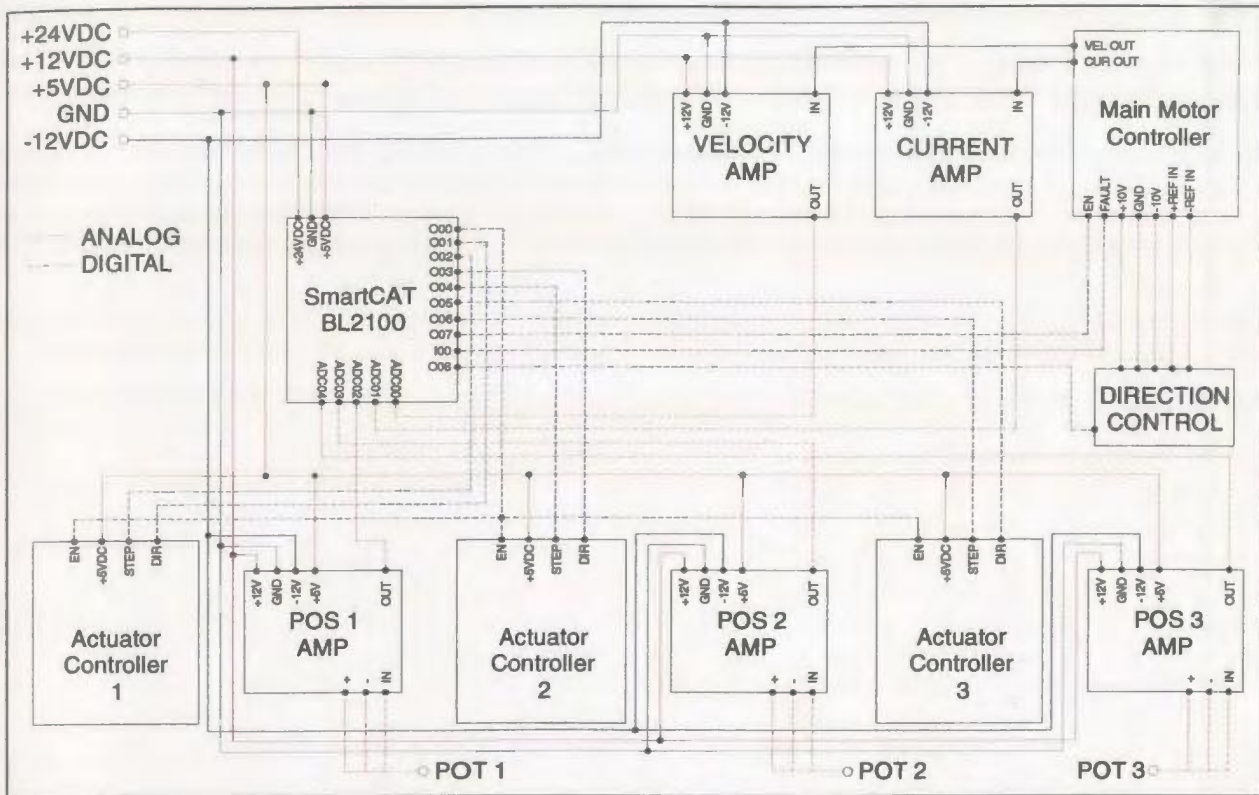


Figure 6.9: Control System Power Schematic

6.5 Signal Conditioning

When using a single board computer to monitor analog signals, signal conditioning was required to ensure optimal operation. The digital to analog converters used by the single board computer have a resolution of 12 bits over a ± 10 VDC range. The signals developed by the potentiometer and other sensors should be modified to operate over this ± 10 VDC range if possible. It was recommended that they operate over the 0 VDC to 10 VDC range as a minimum providing 11 bits of resolution. This could be accomplished using instrument amplifiers. These instrument amplifiers increased the voltage span of the

potentiometers and the main motor controller outputs. A sample instrument amplifier circuit can be seen in Figure 6.10. The gain resistor R_G shown in Figure 6.10 could be chosen to control the amplification of the instrument amplifier. The gains and resistor values for all five amplifiers can be seen in Table 6.1.

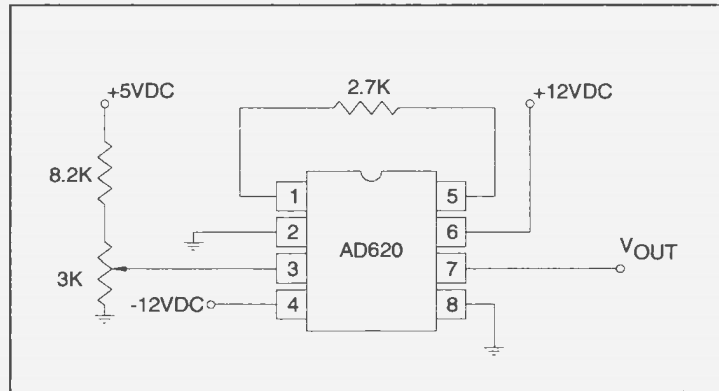


Figure 6.10: Sample Amplifier Circuit

Table 6.1: Instrument Amplifier Gains and Gain Resistor Values

Amp No	Description	Required Gain	Resistor Value
1	Main Motor Speed	48.78	1k
2	Main Motor Current	4	16.2k
3	Actuator 1 Position	18.4	2.7k
4	Actuator 2 Position	18.4	2.7k
5	Actuator 3 Position	18.4	2.7k

6.6 Main Processing Unit

As the CPCPP was designed to be a semi-intelligent system, a suitable microprocessor was required to control the main motor and the three actuators.

This main processing unit obtained the high-level control inputs from the command and control computer of the AUV, and converted them into the required actuator positions. The main processor also controlled the start/stop and directional functions of the main motor controller.

The selection of the main processing unit was determined based on experiences with several micro controllers. The BASIC Stamp microprocessor, PIC microprocessor and the Rabbit 2000/3000 series microprocessors were investigated for processing capabilities, input/output capabilities and reliability. The simplest processor was the BASIC Stamp, but lacked the speed and input/output requirements for this project. The PIC microprocessor was used in other areas of the C-SCOUT project, but has shown to be relatively unreliable in application. The Rabbit 2000/3000 Series microprocessor was also used on the C-SCOUT project, and has shown to be more reliable than the PIC processors. The Rabbit processor also has the input/output and processing power requirements needed for the project when coupled with an interface card. The BL2100 Smartcat™ Single Board Computer was used in the project, Figure 6.11. Details and specification for this computer can be found in Appendix C.

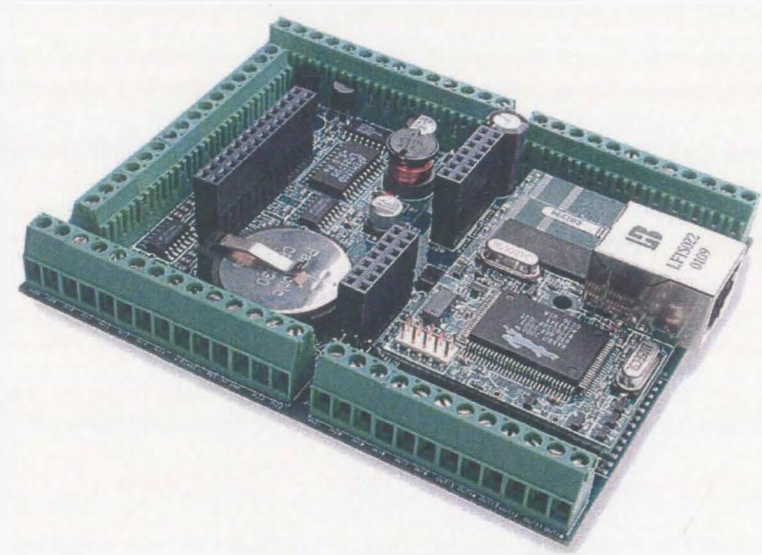


Figure 6.11: Smartcat™ Single Board Computer

The BL2100 could be communicated with using serial RS-232/RS-422/RS-485 or TCP/IP communications. These protocols allowed commands and instructions to be sent to the Rabbit 2000 microprocessor. Programming of the processor was achieved using an RS-232 port located on the Rabbit 2000 processor and a proprietary programming cable. The RS-232 programming port was passed through the pressure housing using a waterproof connector to allow easy reprogramming without disassembling the CPCPP. The TCP/IP and RS-232/RS-485 serial connection were also passed through the housing using waterproof connectors. This allowed the control configuration to be selected based on vehicle control capabilities. The connector wiring diagrams can be seen in Appendix C.

Chapter 7

Control Algorithm Development

7.1 Introduction

The three independent actuators that control the swash plate required precise positioning for the CPCPP to function correctly. The positioning of the blades and the thrust generated by the propeller were both nonlinear functions. The thrust generated by the propeller blades in relation to the blade angle of the propeller is a relationship that can be solved using experimental analysis or detailed propeller theory. The non-linear relationship between the blade angle and the actuator positions could be modeled using a dynamic simulation of the moving parts. This simulation was done using AutoDesk Inventor.

7.2 Test Procedure

The AutoDesk Inventor model used to simulate and verify the CPCPP design could be used in reverse to determine the relationship between actuator position and blade angle. The constraints on the actuator lengths were suppressed and new constraints were added to the angle of the blades. By driving the blade angles, the actuators would be positioned through the dynamic simulation of the

model. The actuator displacements could then be read and recorded for each angle to generate a system of equations for each actuator.

After the equations were derived for the actuators of the CPCPP, the constraints on the blades could be suppressed and the constraints on actuator lengths released. Using the required inputs for the actuator equations, the conformance of the developed model could be thoroughly tested in the computer before implementation on the CPCPP prototype. This preliminary testing helped eliminate possible damage to the prototype.

7.3 Test Matrix Development

The development of the test matrix for the dynamic simulation of the CPCPP was the process by which a solution was chosen that converted ahead / astern, starboard/port and dive/surface signals from the control computer into the required blades angles. The input control signals have a range from -100% to +100%, where zero is the all stopped condition. Actuator orientation and direction convention can be seen in Figure 7.1.

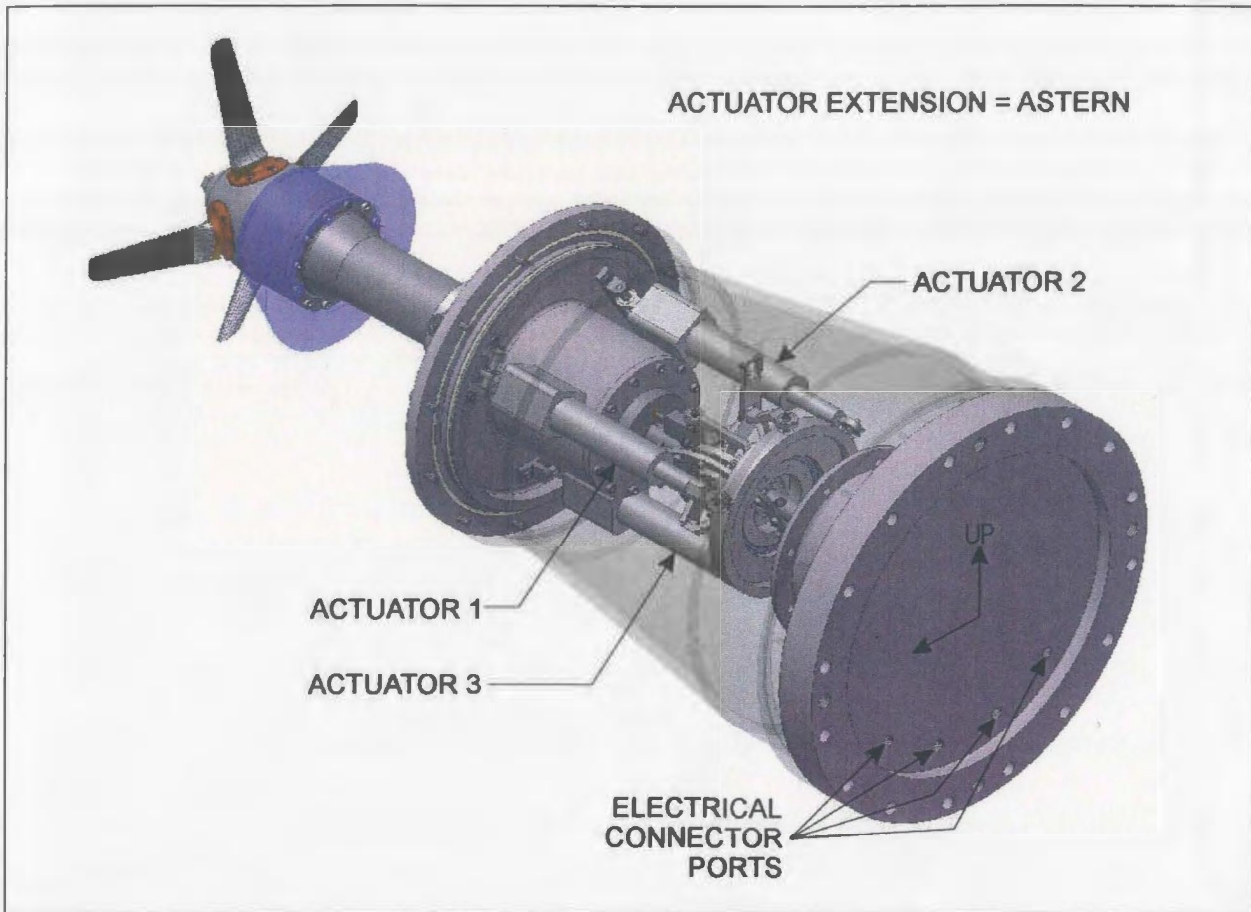


Figure 7.1: Directional Convention and Actuator Orientation

The test matrix was developed using Design of Experiments (DOE) statistical techniques, [Montgomery, 2001]. This technique assumes that in order to determine the output of experimental tests, only intentional changes will be made to the input variables. DOE is the application of statistics to experimental design. The result of using DOE is an optimal mathematical model that predicts the interaction between the input variables and the output response. There are different experimental methods available depending on the output and input variables, which include full factorial, fractional factorial and response surface

methodology, [Montgomery, 2001]. The DOE analysis used to develop the model equations was a response surface method. By using this method, the curvature or non-linearity of the system could be captured in the equations. Design Expert DOE software was used to generate a test matrix based on the response surface method. In the test matrix, the three principal directions (forward/reverse, up/down and left/right) were the input variables, and the positions of each actuator were the output responses. A linear relationship between blade angle and the percentage of output thrust (100% = 29°) was assumed to create the test matrix. While this assumption was not completely accurate, it provided a starting point of the control system development. Design Expert generated a standard list of changes to the input variables that were required to capture the necessary actuator motions. These changes were entered into the CPCPP dynamic model in AutoDesk Inventor, and the responses for each actuator recorded.

7.4 Generation of Equations

Once the results of the dynamic simulation were entered into Design Expert, the data could be analyzed using DOE statistical methods to find an equation that fit the CPCPP model. An analysis of variance (ANOVA) was conducted in Design Expert to determine which variables and their interactions were significant to the model. After each actuator was analyzed, a set of three equations was

developed to control the actuators based on the desired control inputs. The equations for actuators 1, 2 and 3 are given in Table 7.1.

Table 7.1: Table of Control Equations

Index	Coefficients			Relation	Variables
	Actuator 1	Actuator 2	Actuator 3		
0	-5.937E-05	-0.0005131	-0.0034143	Coeff	* 1
1	-0.2682	-0.2680444	-0.2696444	* Forward Reverse	* A
2	-0.0012	-0.3004815	0.3007963	* Up Down	* B
3	0.34712963	-0.1732963	-0.1736481	* Left Right	* C
4	-0.0058244	-0.0065985	-0.0022673	* Forward Reverse2	* A^2
5	0.0011952	-0.0067161	-0.005483	* Up Down2	* B^2
6	-0.0039421	0.00532312	-0.0110516	* Left Right2	* C^2
7	0	-0.0283529	0.02858824	* Forward Reverse * Up Down	* A * B
8	0.03280392	-0.0164118	-0.0162549	* Forward Reverse * Left Right	* A * C
9	0.00539216	0.0015098	-0.0053529	* Up Down * Left Right	* B * C
10	0	0	0	* Forward Reverse3	* A^3
11	0	-0.0562895	0.05856524	* Up Down3	* B^3
12	0.06558746	-0.0334063	-0.0327647	* Left Right3	* C^3
13	0	0.03288205	-0.0339897	* Forward Reverse2 * Up Down	* A^2 * B
14	-0.038	0.01937436	0.01921026	* Forward Reverse2 * Left Right	* A^2 * C
15	0	0	0	* Forward Reverse * Up Down2	* A * B^2
16	0	0	0	* Forward Reverse * Left Right2	* A * C^2
17	-0.1184923	0.05851282	0.05982564	* Up Down2 * Left Right	* B^2 * C
18	0	0.10177436	-0.1026359	* Up Down * Left Right2	* B * C^2
19	0	0	0	* For./Rev. * Up Down * Left Right	* A * B * C

$$Act_1 = c_{1,0} * (1) + c_{1,1} * (A) + c_{1,2} * (B) + c_{1,3} * (C) + \dots + C_{1,19} * (A*B*C) \quad (Eq.7.1)$$

$$Act_2 = c_{2,0} * (1) + c_{2,1} * (A) + c_{2,2} * (B) + c_{2,3} * (C) + \dots + C_{2,19} * (A*B*C) \quad (Eq.7.2)$$

$$Act_3 = c_{3,0} * (1) + c_{3,1} * (A) + c_{3,2} * (B) + c_{3,3} * (C) + \dots + C_{3,19} * (A*B*C) \quad (Eq.7.3)$$

** ($c_{m,n}$ is the polynomial coefficient where m is the actuator and n is the index)

This table lists the equations for each actuator in tabular format. Equations 7.1 to 7.3 illustrate the conversion of the equations into standard format. The first column in the table represents the index for the polynomial coefficients. The next three columns are the polynomial coefficients for each actuator. By multiplying these coefficients with the variables found in the last column, the three actuator equations can be formed. The coded coefficient, A, represents the percent of ahead or astern thrust with a positive value being ahead and a negative value being astern. The coded coefficient, B, represents the percent of surface or dive thrust with the positive value being upward or surface thrust. Similarly, the coded coefficient, C, represents the percent of port or starboard thrust with thrust to starboard being the positive value.

The validity of this control model was then tested using the dynamic simulation of the parametric model. The actuator displacements in the dynamic solid model were compared to the actuator responses calculated from the mathematical equations. The actuator displacements generated from the equations were found to be statistically agreeable to the dynamic model results. Random points were also collected from the dynamic solid model and recorded. These positions were calculated from the equations and compared to the dynamic solid model results for each value. The absolute error between the dynamic model values and the equation-generated values was calculated for all three actuators. The

mean error over the operating range of the actuators was found to be 0.00 mm (0.00 in) with a standard deviation of 0.79 mm (0.031 in) or less.

The equations will require fine-tuning once performance data has been collected, which will allow the propeller to compensate for other non-linear effects. These non-linear effects include:

- Compensation for the initial assumption that the thrust varies linearly with propeller blade angle
- Compensation for unsteady flow effects, discussed in more detail in Section 8.7.

Chapter 8

Initial Testing And Results

8.1 Introduction

Tests of the propeller were conducted to provide proof of concept. These tests were designed to demonstrate the mechanical, electrical and software aspects of the propeller. The ability of the propeller to produce side thrust was also a requirement of the tests. The resulting data collected, test procedure and setup for these tests have been outlined and discussed in the first part of this chapter. The second part of this chapter examines and discusses the raw data collected from the experiments. The final portion of the chapter discusses the results from analysis of the data collected.

8.2 Data Collection

One of the first challenges to overcome was how to accurately collect the forces and moments generated by the propeller. Previous work conducted by Bijleveld [2002] demonstrated that using a yacht dynamometer attached to a towing carriage would not provide sufficient resolution to record the relatively small forces generated by the CPCPP. However, following a technique employed by

Thomas [2003] of measuring the forces and moments as close to the propeller as possible, capture of the generated forces and moments was possible, Figure 8.1.

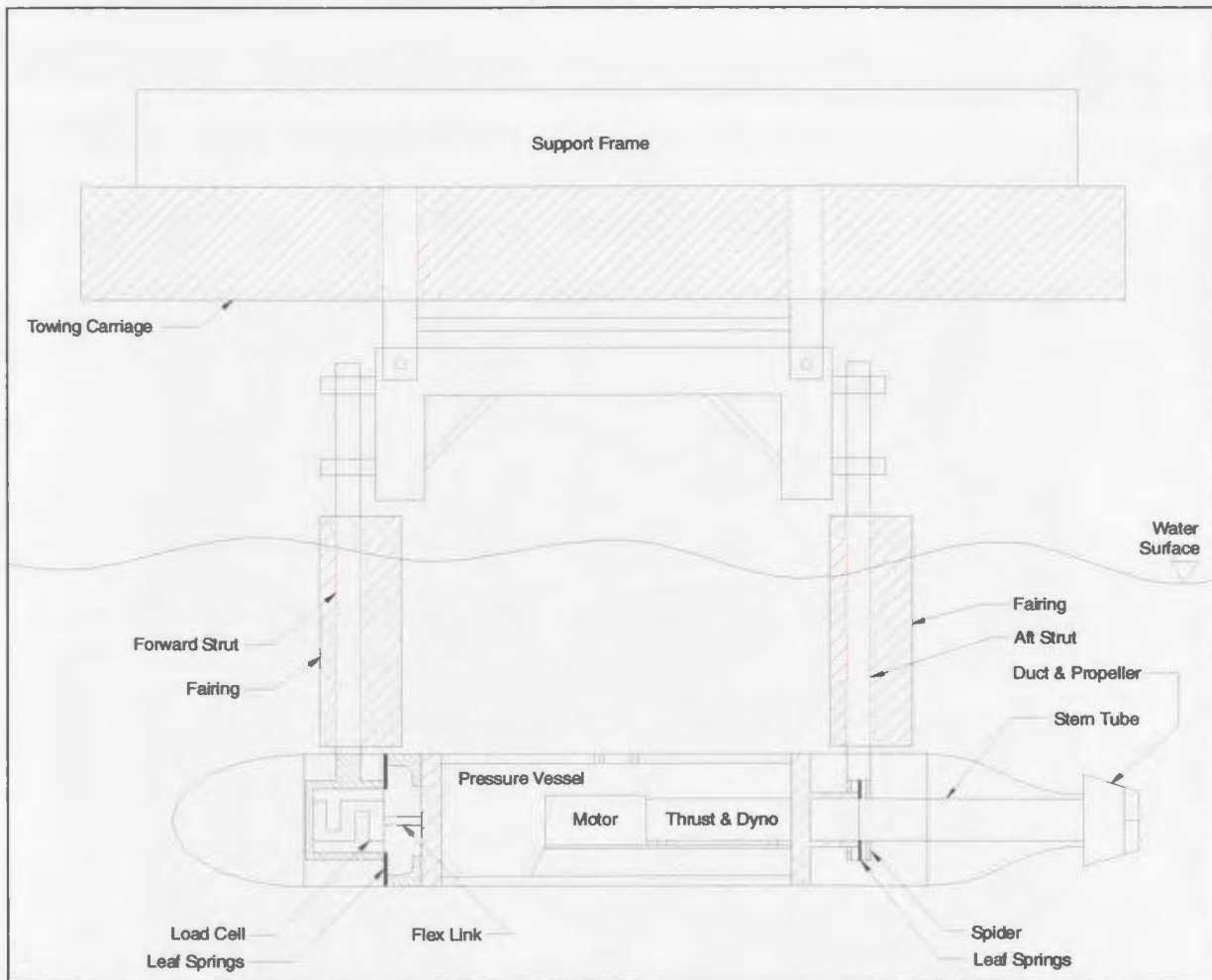


Figure 8.1: Thomas' Setup for Propulsion Thrust and Torque Measurement

While Thomas was only interested in thrust and torque and the CPCPP was designed as a production prototype as opposed to an experimental model, some modifications to the measurement technique were required. Instead of the

instrumentation being installed inside the propeller housing, a six-component load cell puck was mounted in a waterproof housing and attached between the CPCPP and the remainder of the hull, Figure 8.2. By placing the six-component load cell between the CPCPP and the hull, a complete set of forces and moments generated by the propeller could be accurately measured with as little interference from the hydrodynamic effects on the hull as possible. The detailed drawings for the load cell and mounting apparatus can be found in Appendix D.



Figure 8.2: Measurement Apparatus for CPCPP

The load cell chosen to collect the data from the CPCPP was a model 45E15A six-component load cell with internal sensor electronics manufactured by JR3

Inc., Figure 8.3. The load cell was custom calibrated to provide full-scale readings that would be within the range of operation of the CPCPP. While the maximum range of the lateral forces were estimated to be in the range of 44.5 N (10 lbf), the corresponding bending moments were estimated to be 41 Nm (365 lb-in). The long moment arm of 927 mm (36.5 in), between the load cell and the propeller plane of action, was the cause of these large moment values.



Figure 8.3: 45E15A Load Cell

Another consideration for the sizing of the load cell was the level of the forces and moments exerted when the propeller housing was not supported in water. The weight force was 578 N (130 lb) and the moment was 179 Nm (1586 lb-in). These loads could occur when lifting the vehicle into and out of the water during testing. Jacking bolts could be installed on the lifting apparatus to reduce these forces. The load cell had to be sized to support the cantilevered load of the CPCPP, while still maintaining good sensitivity in the lateral measurements. The

overall calibration ranges for the load cell can be found on the data sheet in appendix D

8.3 Test Setup

For the required preliminary testing, the CPCPP was mounted to the wall of a test tank. A bracket was manufactured that would clamp to the side of the tank. A short section of the C-SCOUT hull was then bolted to the frame at one end, and the load cell housing was bolted to the other. The propeller was then bolted to the load cell and prepared for operation, Figure 8.4. The electronics and main computer that control the propeller were mounted to a board externally as opposed to inside the propeller, Figure 8.5. By mounting the electronics in this fashion, any problems with the programming or wiring could easily be repaired or corrected. All of these components, except the breadboard in the left hand corner of Figure 8.5, were sized to fit within the propeller housing.



Figure 8.4: Mechanical Propeller Test Setup

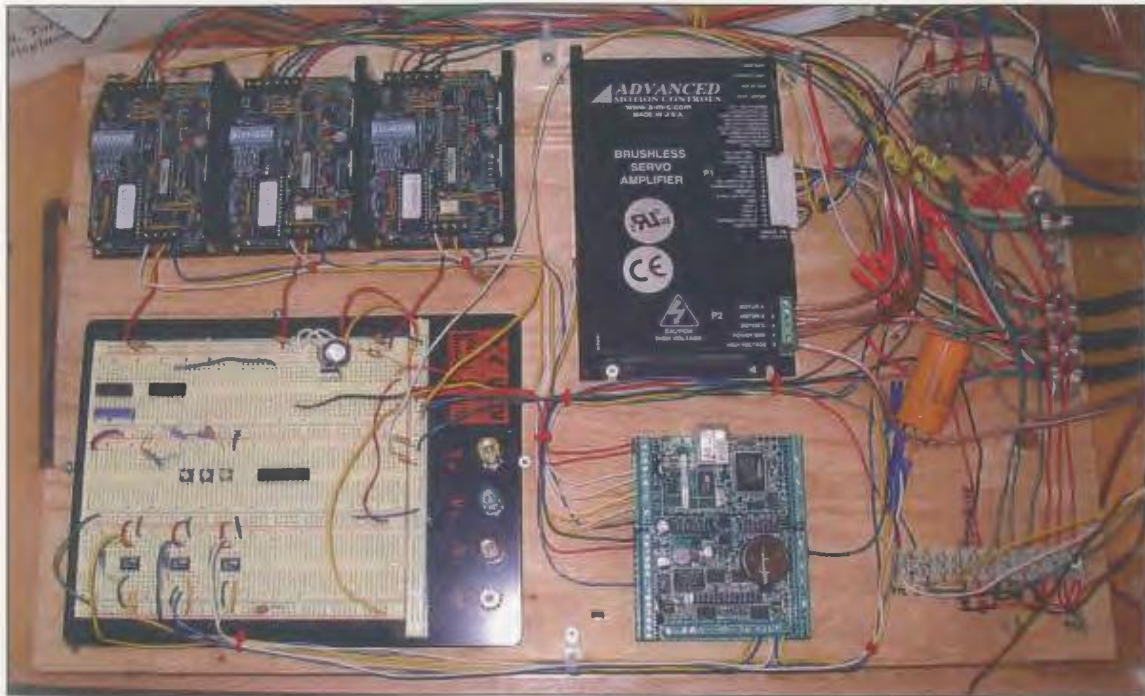


Figure 8.5: Electrical Propeller Test Setup

The controllers, computer and main motor were powered using a series of three power supplies. One power supply provided 24 VDC and 5 VDC to operate the

electronics and the stepper motor drivers. A second power supply generated the ± 12 VDC and ground reference required for the operation of the instrumentation amplifiers. A high current 40 VDC power supply was used to provide power to the main motor controller and the main motor. For the test, the required 48 VDC power supply was not available.

8.3.1 Data Acquisition and Control

The operator, using the Smartcat™ programming computer, controlled the propeller. The programming computer was also fitted with the data acquisition card for the JR3 load cell. A program, running in the background, was used to capture the load cell data and log it to a text file for future processing and analysis. The text file was stored in a comma-delimited format to allow easy importation into Matlab™ or Microsoft Excel™ for analysis. The data was sampled at a rate of 2 kHz and sampling was triggered using an internal counter on the PCI data acquisition card. Each line of data in the file consisted of the date time stamp for the data followed by the F_x , F_y , F_z , M_x , M_y and M_z values. As these data values were in coded format, the full-scale settings for each axis and the applicable conversion factors were read from the load cell and recorded at the start of each file.

8.3.2 Propeller Operation

The testing of the propeller occurred in two phases. A series of ramping up and down trials were conducted to verify that the propeller was generating combinations of axial and radial thrust. For these trials the propeller was run continuously, while the propeller blade angles were cycled through the expected range of motions. During these trials, the circulation of the water in the tank (3 m Long x 3 m Wide x 1 m Deep) was determined to have an important effect on the hydrodynamics of the propeller operation. As a true bollard pull test occurs at an advance coefficient ($J=0$), the circulation in the tank distorts the test results. The data collected was therefore not at true bollard pull conditions, but at some unknown advance coefficient. The circulation in the tank also induces unwanted vibration into the test results, as a result of fluctuating pressure distributions over the propeller hull and drive shaft. For these reasons, keeping the circulation in the tank to a minimum reduces any distortion in the collected data.

The second phase of the testing was therefore conducted with the circulation problem in mind. As the propeller was being operated in a tank to obtain bollard pull values, the propeller blades were set to a given thrust value and then run for a period of 10 seconds. The propeller was then stopped and the water in the tank allowed to settle before the next test was conducted. The process was repeated three times for each thrust setting of the propeller. The thrust values of

the three runs could then be averaged to obtain the thrust values at each setting. Allowing the tank to settle between runs and keeping the run times to about ten seconds reduced the influence of the tank circulation on the collected values.

8.4 Data Collection

The first phase of the testing consisted of ramping the propeller blade pitch from ahead to astern and back to neutral. The same procedure was then conducted for the port to starboard and then the surface and dive directions. To determine the effectiveness of maneuvering while thrusting ahead or astern, a set of data was also collected using the 50% ahead setting while ramping the propeller from starboard to port and then back to neutral. The collected data demonstrated that the propeller was developing axial and radial thrust variations, and the results are presented in Sections 8.6, 8.7 and 8.8.

8.5 Data Analysis

The data collected was analyzed using Microsoft Excel™. As the data collected by the data acquisition system was in coded or bit data format, the data was transformed from the coded units of the load cell to real units. This was accomplished by multiplying the internal load cell calibration factors by the collected data. For example, the axial or z-axis force (F_z) bit value was multiplied

by the internal full scale factor of 267 and then multiplied by 1/16384 to convert the F_z value into the units of pounds force. The load cell was professionally calibrated in units of pounds force prior to use. Calibration of the load cell should be verified and corrected if necessary before further tests are conducted. The data was also rotated so that the measurements of the load cell corresponded to the directions entered into the control computer. The data rotation is discussed in more detail in section 8.5.2.

8.5.1 Smoothing Algorithm

Due to the random and periodic noise in the data collected, Figure 8.6, a smoothing algorithm was applied to the data before plotting. The smoothing algorithm takes a midpoint average of the data and writes the average out to a new text file. The user could specify the span of the average when applying the algorithm. A span value of 100 samples was applied to the data presented in this thesis. By taking the midpoint average, time biasing of the data can be eliminated. The program that was written to apply this smoothing algorithm allowed the user to specify the span of the average and also allowed the user to thin the data.

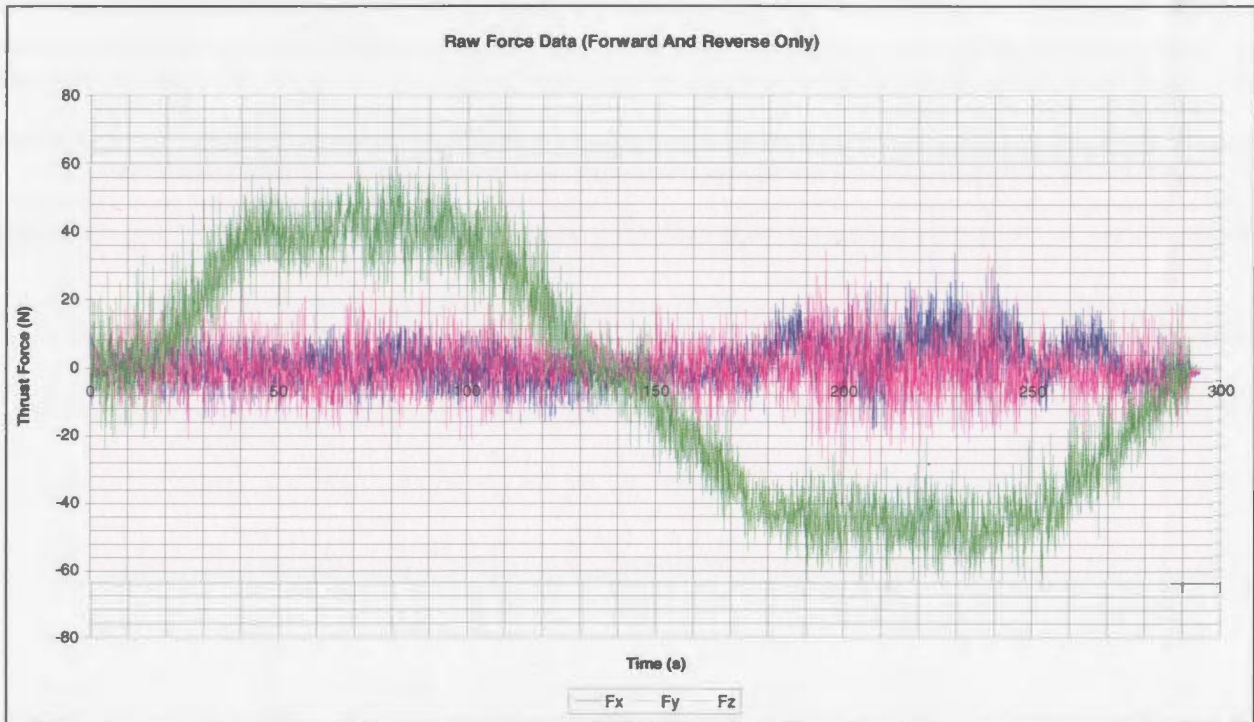


Figure 8.6: Raw Data for Thrust Values

Thinning the data is useful when plotting results. Due to the number of sampled data points, a plot without thinning would result in a fuzzy representation of the results. The thinned plot however, provides a smoother graphic representation of the data. While some of the information due to variations in the readings was lost in this representation, the general trend of the data is captured in the plot. Data presented in this thesis were thinned from 2 kHz to 10 Hz for ease of plotting.

8.5.2 Data Rotation

Due to constraints in the mounting of the load cell, the orientation of the load cell axes varied from the axis of convention for the CPCPP control system. A set of rotation matrices was applied to the raw data to rotate the data into a similar coordinate frame as the CPCPP control system [Gerber, 1990]. The first rotation matrix rotated the data about the z-axis by an angle of 45° to align the x-axis of the load cell with the x-axis of the propeller system. The second rotation matrix rotated the data about the x-axis by an angle of 180° to align the z-axis and y-axis of the load cell with their corresponding propeller system axes. The orientation of the unrotated, as measured, axes and the rotated axes can be seen in Figures 8.7 and 8.8 respectively. The completed transformation of the data provides the correct values in the correct directions. All force and moment data in this thesis was presented according to the directional conventions shown in Figure 8.8.

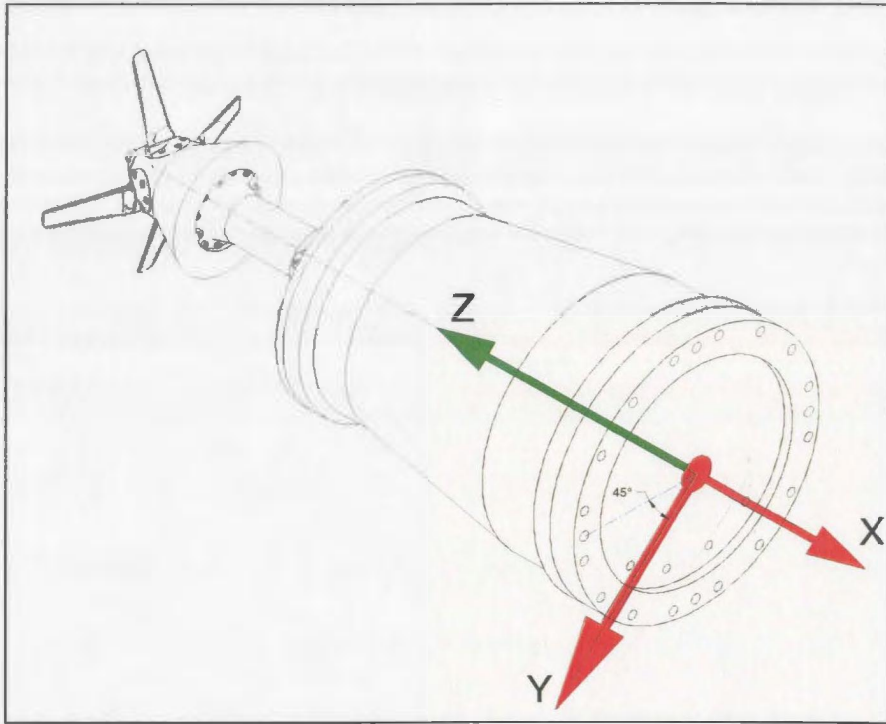


Figure 8.7: Unrotated Axes

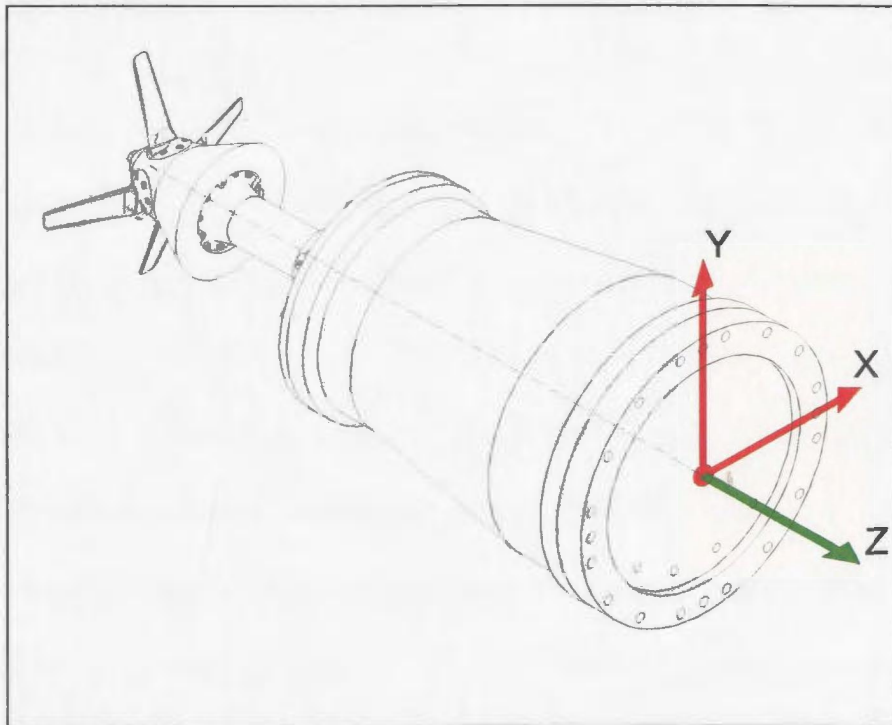


Figure 8.8: Rotated Axes

8.5.3 Plotting of Results

After the data collected had been smoothed and thinned, the new data file was loaded into Microsoft Excel™. The conversion from coded units and the rotation matrices were applied to produce a table of the forces and moments generated by the CPCPP. These values were then plotted on two graphs. The first graph plots the forces measured against time. The second graph plots the moments measured against time. Plots were generated for the ahead / astern condition, the surface / dive condition and the 50 percent ahead / left / right condition.

8.6 Results for Test 1 (Ahead / Astern)

The first set of tests that were conducted with the CPCPP were the ahead / astern tests. These tests were designed to test the collective pitch function of the new propeller, and gain an understanding about the maximum thrust capabilities of the propeller. During this first test, the propeller was stepped in 10% increments from full ahead to full astern and then back to neutral. The forces and moments were collected, tabulated and plotted in Figure 8.9 and Figure 8.10. During this set of tests, the supply voltage to the main motor was 40.5 VDC, and this resulted in a neutral velocity of 380 RPM. Neutral velocity refers to the blades at zero collective and cyclic pitch.

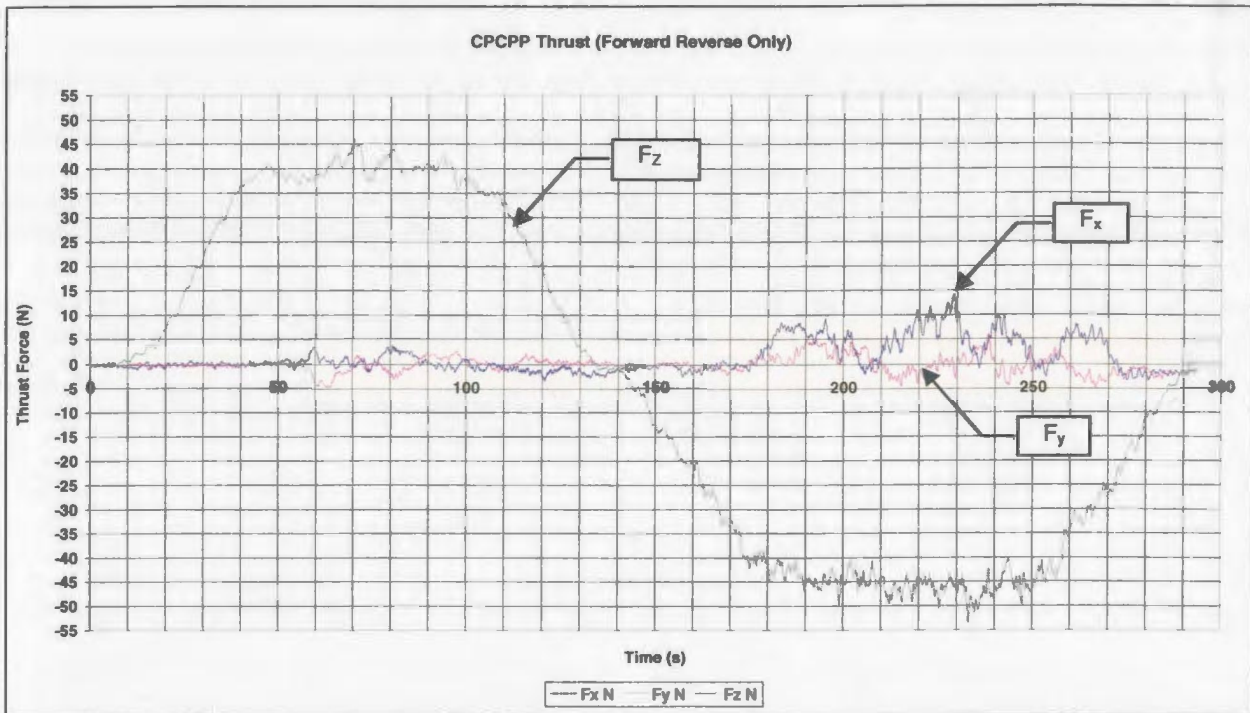


Figure 8.9: Force Results for Ahead / Astern Test.

The effects of increasing the blade angle on the thrust output from the propeller (F_z) can be seen in Figure 8.9. As the blade angle is increased from the neutral position to the maximum pitch of $+29^\circ$ in 10% increments, the forward thrust (F_z) increases from zero to a maximum value of about 44.4 N (10 lbf). The forward thrust fluctuates at this point between 35.5 N (8 lbf) and 44.4 N (10 lbf) as the blade angle was varied from 90% to 100% and back to 90% twice to observe the response of the propeller. From time $t = 100$ s to $t = 135$ s the thrust of the propeller was decreased from 100% back to the neutral position. The blades were then pitched in the astern direction to a maximum pitch angle of -29° in increments of 10%. The thrust was not varied in this time, as in the ahead condition, but allowed to remain constant to observe the level of fluctuation in the

thrust produced by the propeller. Examining F_z for time $190 \text{ s} < t < 250 \text{ s}$, this force fluctuation can be observed. As the propeller was operating in an off design condition, some fluctuation in the thrust value was expected. The fluctuation of the force was determined to be $\pm 5 \text{ N}$ ($\pm 1 \text{ lbf}$) or about 10% of the total thrust output. The propeller was then ramped back down in 10% increments to the neutral position and the test stopped.

The shape of the F_z thrust curve between $t = 0 \text{ s}$ and $t = 20 \text{ s}$ exhibits some nonlinear characteristics that were not taken into account when developing the control model in Chapter 7. Due to the linear relationship between blade angle and thrust output used to construct the equations of motion for the actuators, the thrust output F_z exhibits a concave up curvature at low blade angles and a concave down shape at higher blade angles. The curvature of F_z between $t = 0 \text{ s}$ and $t = 20 \text{ s}$ is more pronounced than at $t = 130 \text{ s}$ to $t = 140 \text{ s}$, as the actuators were being incremented more slowly to observe the formation of circulation in the tank. A linear relationship between blade angle and thrust produced will be important for controlling an AUV in future tests. As most control systems have been designed to work with linear inputs and outputs, having a linear drive model will make integrating the CPCPP into other systems as straight forward as possible. The non-linear controller for the CPCPP would maintain the desired linear input / output relationship. With the quantification of the small amount of

non-linearity in the control model, this desired linear relationship of thrust to blade angle can be improved.

The values of the lateral forces (F_x and F_y) are also shown in Figure 8.9. These forces hover around the zero mark throughout the test. During the ramping up of the blade angle from neutral to maximum ahead thrust, the fluctuations in F_x and F_y were nearly zero. This smooth behavior was expected, as the tank circulation was minimal at the start of the test. As the circulation increased, a small amount of fluctuation was observed in the F_x and F_y values. This fluctuation was reduced as the propeller was ramped back down to the neutral position and the water in the tank began to settle down. As the propeller was ramped to full astern, the values of F_x and F_y exhibited the same type of behavior as during the ahead condition. Comparing the values of F_x and F_y during the astern part of the test to the ahead part of the test, it can be observed that the fluctuations in the astern condition are much larger in magnitude. This increase in magnitude was a result of the propeller wash and the resulting tank circulation. In the ahead condition, the wash of the propeller was directed to the opposite end of the tank. In the astern condition, the wash of the propeller was directed over the propeller housing where it quickly collided with the tank wall to which the propeller was mounted. The resulting turbulence from the propeller wash created the greater fluctuation that occurred in the astern part of the test.

Figure 8.10 shows the result of increasing blade angle on the moments produced by the propeller. As the thrust produced increases, the torque required to turn the propeller (M_z) increased as expected. Examining the plot of propeller shaft torque (M_z), it can be seen that the shaft torque for the propeller was positive for the ahead and astern portions of the test. This phenomenon is unique to controlled pitch type propellers, as a reversal in propeller rotation is not required to generate astern thrust. The propeller blade pitch is changed resulting in an increase in thrust output and consequently an increase in torque, but the propeller shaft remains turning in the same direction. Near the end of the test a negative value of M_z was recorded.

Examination of the lateral moments (M_x and M_y) illustrates the same instability present in the lateral forces (F_x and F_y) discussed previously. As the moment arm of the propeller was large (927 mm (36.5 in)), the relatively small fluctuations in the lateral force values result in a relatively large moment value. This can be observed in Figure 8.10. At the start of the tests the magnitude of the fluctuations in M_x and M_y were minimal as the circulation in the tank was also minimal. As the circulation in the tank increases and decreases, the fluctuations also increased and decreased. Examination of the magnitude in the fluctuations between the ahead and astern parts of the test, exhibit the same increase in magnitude for the astern cases as seen with the lateral forces. This similarity was due to the coupling of M_x with F_y and M_y with F_x .

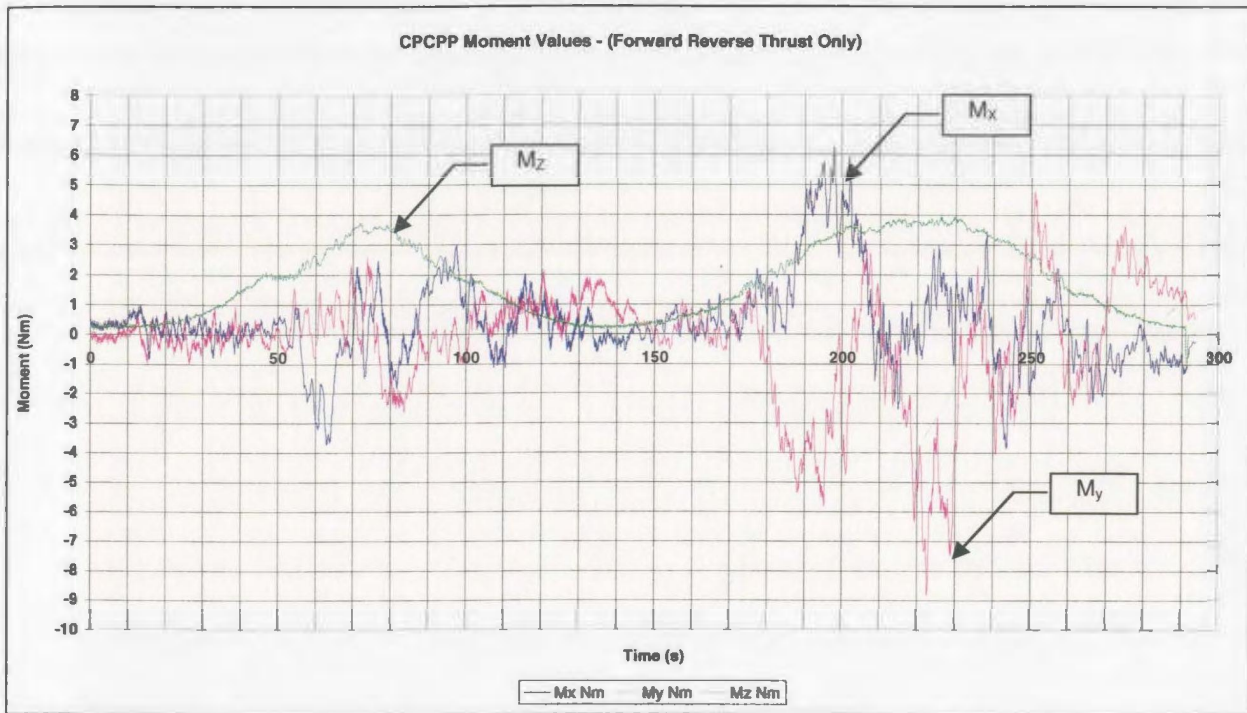


Figure 8.10: Moment Results for Ahead / Astern Test.

The moment values plotted in this thesis are measured about the load cell axes. The measured moment represents the total moment measured by the load cell and has two primary components. The first component is the direct moment measured at the load cell. This moment could be shifted to any location on the vehicle axis of rotation. The second component is the force-generated moment. This value is a result of the force-moment arm product. This moment value is dependent on distance the force is acting from the plane of the propeller.

Although the test was conducted using 10% increments in the blade angle, the plots presented in Figure 8.9 and Figure 8.10 were fairly smooth. The smoothness of these plots could be attributed to four contributing factors. The first factor contributing to the smoothness of the plots was the application of the smoothing algorithm. The plotted raw data can be seen in Figure 8.6. As the data collected was smoothed before it was plotted, some of the fluctuations resulting from the step increase in blade angle were also smoothed out at this time. The second factor was related to the thinning of the data before plotting of the results. By thinning the data, some of the effects of the step change in blade angle were also lost. The third factor was related to the acceleration of the fluid. While a step change in the blade angle may have been made, the fluid takes time to accelerate as the result of the new applied force. This delay in fluid velocity change helped to smooth out the step changes in the blade angle. The final factor contributing to the smoothness of the graphs was the change in blade angle itself. As the actuators that position the swash plate move sequentially, there was a time delay of about three seconds for the 10% change to occur. This delay also helped to smooth out the plots.

A longer delay between the changes in blade angle would have resulted in more prominent steps between the different thrust values. These factors that contributed to the smoothness of the plots in Figure 8.9 and Figure 8.10 were evident in all of the plots of collected data presented in this chapter of the thesis.

8.7 Results for Test 2 (Surface / Dive)

The second set of tests that were conducted with the CPCPP were the surface / dive tests. These tests were designed to test the cyclic pitch function of the new propeller, and to gain an understanding of the maximum side thrust capabilities of the propeller at zero forward speed. During this second test, the propeller was stepped in 10% increments from full rise to full dive and then back to level trim. The forces and moments were collected, tabulated and plotted in Figure 8.11 and Figure 8.12. During this test, the supply voltage to the main motor was 40.5 VDC, and this resulted in a neutral velocity of 380 RPM.

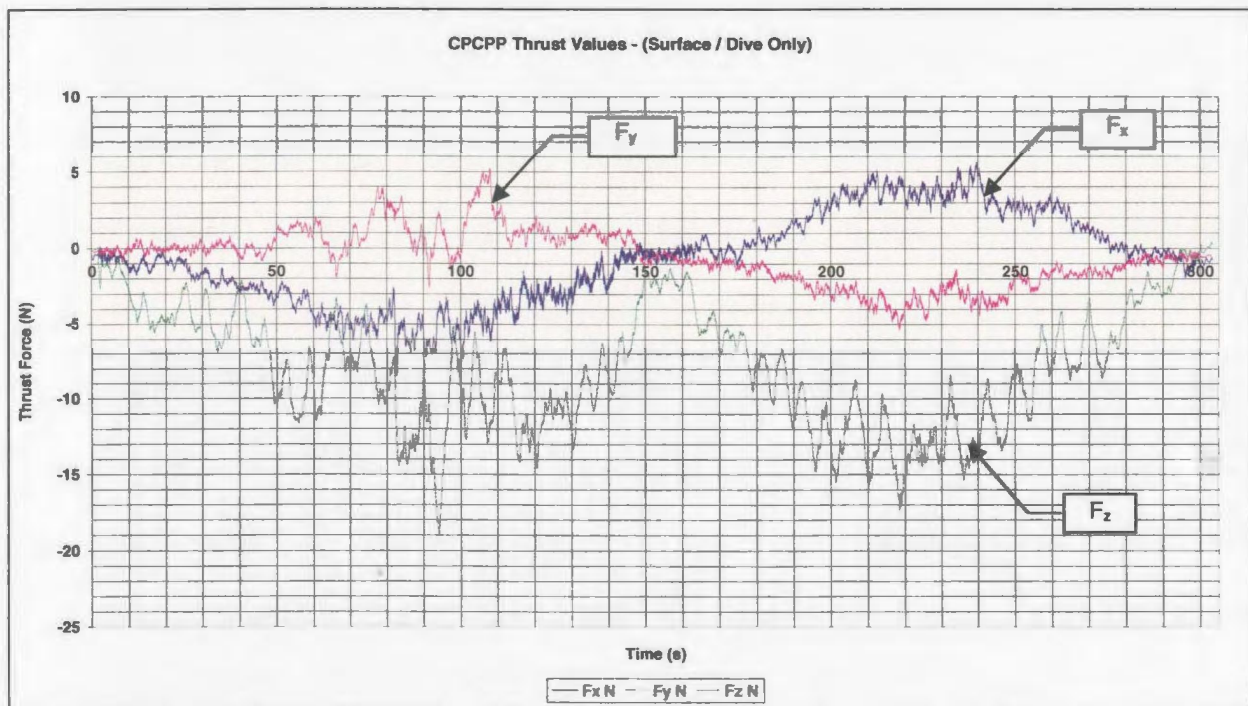


Figure 8.11: Force Results for Surface / Dive Test

The effects of increasing the degree of cyclic pitch of the propeller blades on the amount of radial thrust produced can be seen in Figure 8.11. As the swash plate of the propeller pitches about the x-axis to produce an upward force, the amount of cyclic pitch of the blades increases to its maximum value of $+29^\circ$ on one side and to its maximum value of -29° on the opposite side. While the propeller rotates, the swash plate of the propeller adjusts the pitch of the blades smoothly from $+29^\circ$ to neutral, to -29° to neutral, and finally back to $+29^\circ$ in one rotation. This cyclic pitch results in the lateral force values (F_x and F_y) that were recorded during this test.

As the degree of cyclic pitch was ramped up to the aforementioned maximum value, F_x in Figure 8.11 shows an increase in side force to port. The value of F_y also exhibits an increase in force upward, but to a lesser extent than F_x . As the degree of cyclic pitch was then ramped back down to the neutral position, we see the lateral forces F_x and F_y return to zero. The cyclic pitch was then applied in the downward direction from time $160 \text{ s} < t < 290 \text{ s}$. The plots of F_x and F_y reverse directions from the previous case, and the magnitude of the forces increases and then decreases as the magnitude of the cyclic pitch is increased and decreased.

Examination of the shape of the Figure 8.11, reveal a $\pm 50\%$ maximum fluctuation in the F_x and F_y force values. This fluctuation is even larger in the F_z values recorded in the plot. While the value of F_z should be zero for this test, there appears to be some coupling between the axial force F_z and the radial forces F_x and F_y . This coupling of forces was the result of swash plate operation. As cyclic pitch is applied to the swash plate, the swash plate shifts slightly due to linkage connections. This shift produces the axial thrust seen in the test, and could be counteracted by moving the swash plate. As discussed in Section 8.6, the plots do exhibit some nonlinear tendencies near the minimum and maximum pitch conditions. These non-linearities can be incorporated into the control model at a later date to improve the linear fit of the model, as discussed in Section 8.6.

From the results from the side thrust tests, it became evident that the moment data, Figure 8.12, provides a more meaningful picture about the magnitude of the maneuvering forces. Comparison between Figure 8.11 and Figure 8.12 demonstrates that the moments M_x and M_y more clearly represent the side forces developed by the propeller. The moment M_y , which is related to F_x , clearly exhibits an increase as the amount of cyclic pitch of the propeller increases. The moment M_x , which is related to F_y , depicts that the moment in this direction is substantially lower in magnitude than M_y .

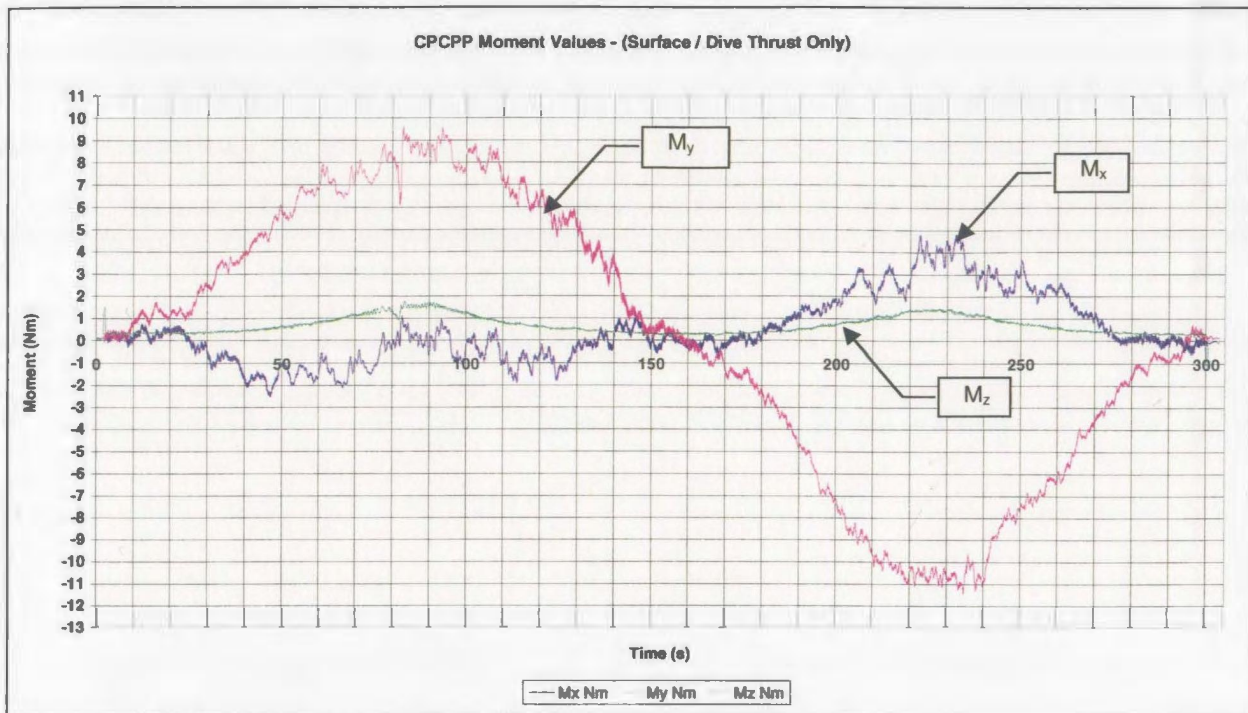


Figure 8.12: Moment Results for Surface / Dive Test

The shape of the M_z curve was very similar to the curve observed in Section 8.6. The value of M_z increases positively for both the upward and downward thrusting cases as expected. A sharp blip in the moment reading at the start of the test shows the moment impulse recorded to overcome the seal friction during startup.

One of the most significant things this test of the propeller showed was the phase shift in the direction of the expected maneuvering force. The motion of the swash plate was checked against the computer model used to generate the actuator motion equations. There were now discrepancies found between the computer model and the assembled propeller. Therefore some other

phenomenon was causing the phase shift. The plot of forces and moments developed by the CPCPP, while forward thrust is zero, indicated that the larger moment is produced some angle to the direction intended. The resultant moment is a combination of M_x and M_y components. While the control inputs to the propeller were calling for upward or downward thrust, the recorded thrust was largely to the left and right. This shift in the maneuvering force was the result of unsteady fluid flow effects [Bose, 1995] [Riijarvi et al., 1994]. While the angle of attack of the blade is increasing or decreasing to the flow or when the blade is oscillating, there is a delay in the thrust produced by the blade. There is phase lag in the effective lift and moment generated by the blade. In the case of the CPCPP, this delay resulted in the thrust lagging out of phase from the control input in this test.

The actual direction of the side force produced by the propeller was in a direction that lagged the control input. Further investigation into the actual direction showed that the direction was dependent on the amount of axial thrust being produced by the propeller. Figure 8.13 and Figure 8.14 show the moment values of the propeller thrusting astern with blade angles of 20% (5.8°) and 40% (11.6°), respectively. In Figure 8.13, the propeller was started, run for about 10 seconds and then stopped three times. In Figure 8.14, this process was completed two times. This allowed the water in the tank to settle between measurements. For Figure 8.13, the average value of M_x was 11.3 Nm (100.2 lb-in), and the average

value of M_y was -1.1 Nm (-9.5 lb-in). In Figure 8.14, the average value of M_x was decreased to 8.9 Nm (78.7 lb-in), while the value of M_y has increased to -7.8 Nm (-69.1 lb-in). The value of M_z also increased from 1.2 Nm (10.7 lb-in) to 2.0 Nm (17.3 lb-in), due to the increase in thrust from the propeller. There was less noise in Figure 8.14 than in Figure 8.13. This variation was due to the stabilization of flow around the propeller as axial thrust increased.

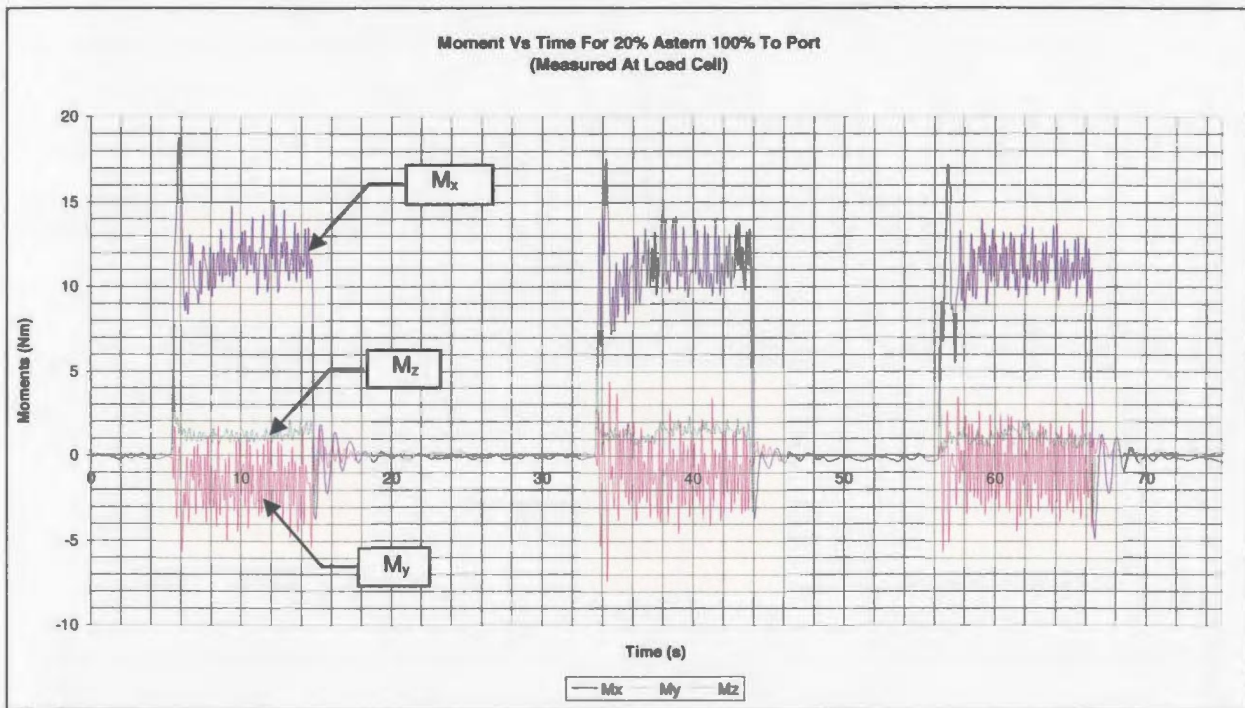


Figure 8.13: Maximum Turning Moment at 20% Astern Thrust



Figure 8.14: Maximum Turning Moment at 40% Astern Thrust

Assuming the thrust developed by the CPCPP is a vector traveling radially outward from the axis of propeller rotation, the actual maneuvering force developed by the propeller is given by equation 8.1. The direction that the maneuvering force acts is given by equation 8.2. These formulae have been simplified as they pertain to discussion in this thesis. The moment values used in these equations are the total moment as measured at the load cell. Translating these moments to the center of gravity of the vehicle would require the decomposition of the moments as discussed in Section 8.6. For the values presented in this thesis, the moment arm (D_M) is the distance from the propeller plane to the load cell axes of measurement.

$$F_R = \frac{\sqrt{M_X^2 + M_Y^2}}{D_M} = \sqrt{F_X^2 + F_Y^2} \quad (\text{Eq 8.1})$$

$$\theta^* = \tan^{-1} \left[-\frac{M_X}{M_Y} \right] = \tan^{-1} \left[\frac{F_Y}{F_X} \right] \quad (\text{Eq 8.2})$$

**Note: A sign algorithm is required to ensure the angle is in the correct quadrant.*

The actual direction and magnitude of the lateral force for Figure 8.13 would be 11.4 Nm (100.6 lb-in) at an angle of 5.4° as measured counter clockwise from the x-axis. The direction and magnitude of the lateral force for Figure 8.14 would be (104.7 lb-in) at an angle of 41.3°. The original control force was intended to move the bow of the vehicle right while the AUV was reversing. The moment that would actuate the desired maneuvering force would be a negative moment about the y-axis. This would translate to the moment of some magnitude at an angle of 90°. Therefore, from the analysis of the moments represented in Figure 8.13 and Figure 8.14, the direction of the maneuvering force produced by the propeller was converging on the intended direction as the amount of axial thrust was increased. As the propeller turns counter clockwise as viewed from the back, these angles calculated for the actual direction of thrust lag the desired control input of the propeller.

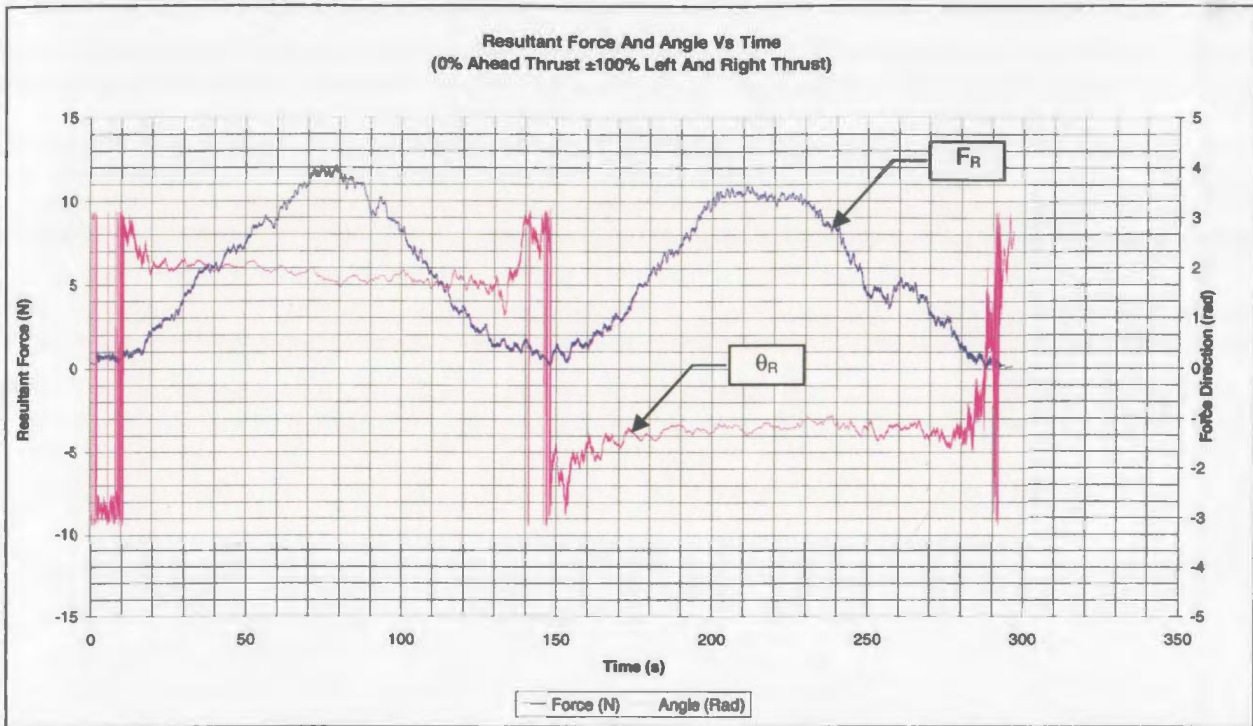


Figure 8.15: Resultant Force and Phase Angle for Maneuvering Force at Zero Forward Speed

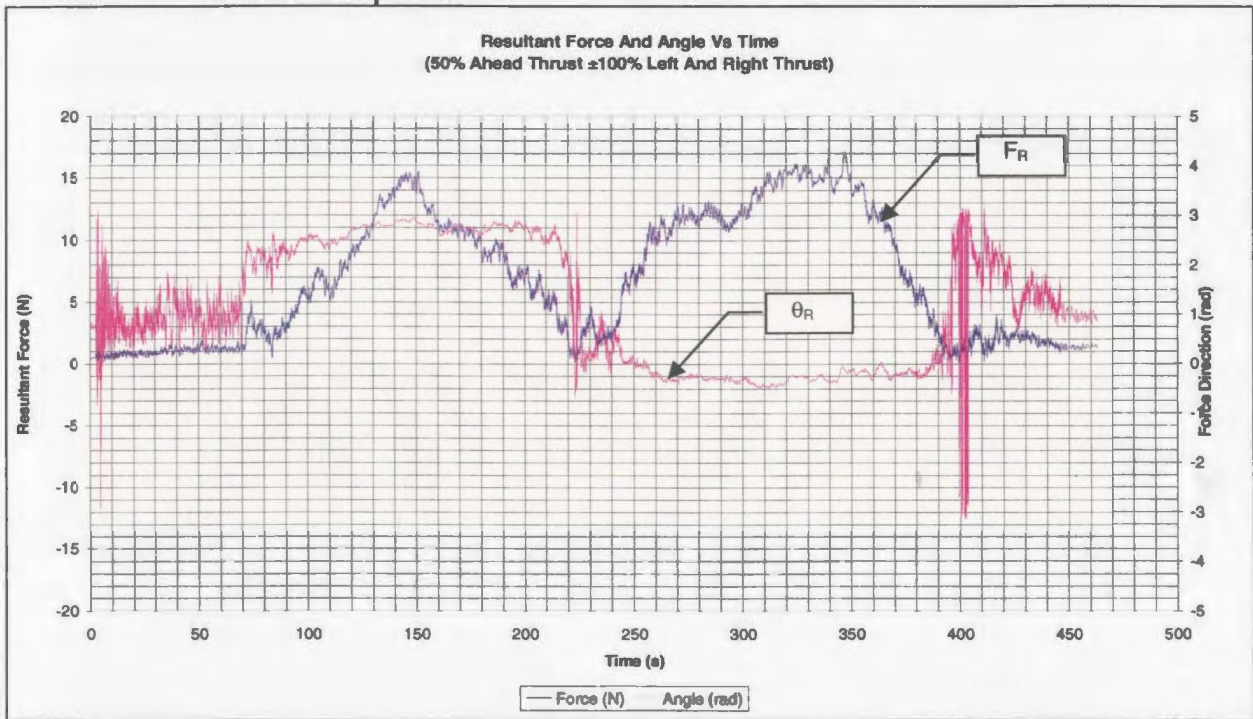


Figure 8.16: Resultant Force and Phase Angle for Maneuvering Force at 50% Forward Speed

The application of equations 8.1 and 8.2 to the data can be seen in Figure 8.15 and Figure 8.16. Figure 8.15 plots the magnitude of the resultant force, and its corresponding direction in radians measured from the x-axis. This figure was for the CPCPP not providing thrust in the axial direction, while the lateral thrust was varied in the x direction from -100% (-29°) to $+100\%$ ($+29^\circ$). The process is described at the start of this section for thrust in the y direction. Similarly, in Figure 8.16, the magnitude and direction of the maneuvering thrust was plotted for the CPCPP thrusting ahead 50% , while varying the lateral thrust in the x-direction.

In Figure 8.15, the propeller was thrusting to port from a time $20\text{ s} < t < 130\text{ s}$, and the average angle for the thrust was determined to be 1.88 rad (107°). As the input to the control system was requesting thrust in the $-x$ direction (3.14 rad (180°)), the propeller thrust was lagging the control input by 1.26 rad (73°). From a time $160\text{ s} < t < 240\text{ s}$, the propeller was thrusting to starboard, and the direction of the thrust was -1.20 rad (-69°) from the $+x$ direction. As the control input for the CPCPP was requesting thrust in the $+x$ direction, the actual thrust was lagging the control input by 1.2 rad (69°).

In Figure 8.16, the propeller was thrusting to port from a time $80\text{ s} < t < 210\text{ s}$, and the average angle of the thrust vector was determined to be 2.72 rad (156°).

As the control input was requesting thrust in the $-x$ direction, the thrust from the propeller was lagging the control input by 0.42 rad (24°). From a time $250 \text{ s} < t < 390\text{s}$, the propeller was thrusting to starboard, and the average direction of thrust was -0.28 rad (-19°) from the $+x$ direction. The control signal for this time was requesting thrust in the $+x$ direction, but the actual thrust was lagging the control input by 0.28 rad (19°).

Two important observations can be made from Figure 8.15 and Figure 8.16. The first observation is that the direction of the cyclic thrust produced is independent of the magnitude of cyclic thrust. This can be seen by the horizontal characteristics of the direction plots for the time frames discussed above. The second observation that can be made is that the direction of cyclic thrust is dependent on the magnitude of axial thrust produced by the propeller. While the no ahead speed condition has a lag of about 71° , the 50% ahead speed condition has a lag of about 21° . This presence of a variation in the maneuvering force directional lag was probably caused by changes in the unsteady flow around the oscillating propeller blades.

The unsteady flow generated from the oscillating propeller blades caused a lag in the maneuvering forces. This unsteady phenomenon was not foreseen when the propeller tests were planned, and was discovered as a result of analysis of the

test data. The tests conducted for this thesis were designed to prove the functionality of the CPCPP, and were not designed to quantify the unsteady flow phenomenon. Further investigation will be required to determine how unsteady flow is related to ahead / astern thrust. Once the relationship has been quantified, unsteady flow effect can be incorporated into the control model for the CPCPP. However, despite of the lag in the phase of the maneuvering force, the CPCPP generated a useful maneuvering force for control purposes.

8.8 Results for Test 3 (Ahead 50%, Left to Right 100%)

The third set of tests were designed to investigate the cyclic pitch function of the new propeller while thrusting ahead, and to gain an understanding about the maximum side thrust capabilities of the propeller for maneuvering purposes. During this third test, the propeller was stepped in 10% increments from hard to port to hard to starboard and then back to amidships while thrusting ahead 50%. The forces and moments were collected, tabulated and plotted in Figure 8.17 and Figure 8.18. For this set of tests, the supply voltage to the main motor was 40.5 VDC, and this resulted in a neutral velocity of 380 RPM.

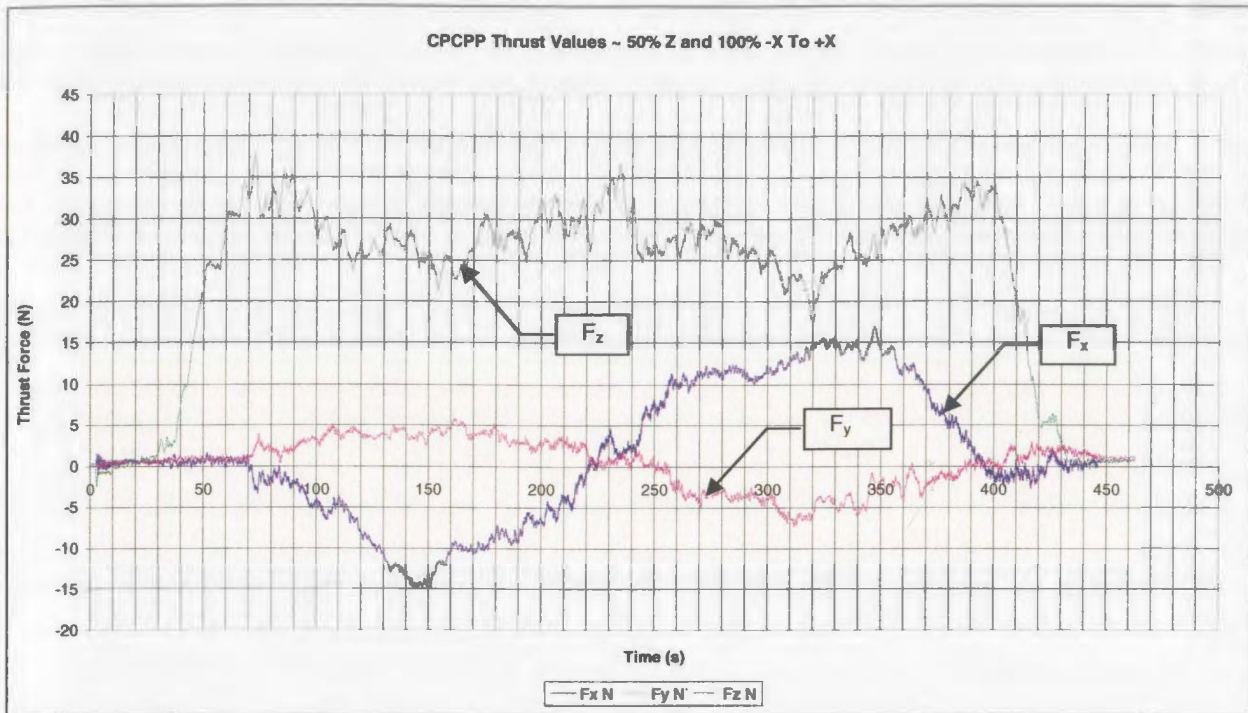


Figure 8.17: Force Results for Maneuvering While Thrusting Ahead

After the propeller was started during this test, the blades were pitched to 50% of their maximum angle of 29° . The result of this action can be seen in Figure 8.17, as the axial thrust F_z increased from zero to a value of about 33.4 N (7.5 lbf) for time $20\text{ s} < t < 70\text{ s}$. At this point, cyclic pitch was added to the blades of the propeller in 10% increments until the control input for the propeller was thrusting to port. This can be observed in Figure 8.17, as the value of F_x increases negatively to 14.5 N (-3.25 lbf) and F_y increases positively to 4.4 N (1 lbf) until $t = 145\text{ s}$. During this time, $70\text{ s} < t < 145\text{ s}$, the magnitude of F_z decreases slightly to a value of 24.5 N (5.5 lbf) at $t = 145\text{ s}$. This decrease in axial force was likely the result of a drop in propeller efficiency due to the changing inflow conditions. As the cyclic pitch of the propeller was stepped in the opposite

direction, the magnitude of the maneuvering forces F_x and F_y decreased and F_z increased until $t = 225$ s. At this time the propeller was back in the ahead thrust only condition with the cyclic pitch set at zero. From this point the cyclic pitch continued to increase until $t = 320$ s. The magnitude of the lateral forces F_x and F_y were now reversed as the propeller control input was set to thrust to starboard. As in the thrusting to port condition, the magnitude of F_z again decreased as the amount of side thrust increased. The cyclic pitch of the propeller was then returned to zero, the amount of ahead thrust was returned to neutral and the propeller was stopped.

The moment values, recorded in Figure 8.18, also reflect the changes to the forces described above. Examination of the curve representing the propeller shaft torque (M_z) indicates a steady rise in the required torque as the collective pitch of the propeller blades is increased. The value of M_z then increases and decreases as the amount of cyclic pitch is increased and decreased. Similarly, the values of M_y reflect the changes in the values of F_x and the values of M_x reflect the changes in the values of F_y . Inspection of Figure 8.18 also indicated that there was some asymmetry in the flow of the propeller, as M_x exhibits a decrease in value for $265 \text{ s} < t < 380 \text{ s}$. The change in magnitude of M_x is not visible in the coupled F_y thrust value. This was most likely caused by the turbulence in the tank, and the reflection of the fluid off of the tank walls. Testing

of the CPCPP in a larger facility would allow these anomalies to be studied in more detail.

The effects of the unsteady flow are also apparent in Figure 8.17 and Figure 8.18. The presence of a non-zero F_y and M_x indicates that there is some lag in the direction of the radial thrust vector. However, these effects become less pronounced as the magnitude of the forward thrust is increased. As discussed in Section 8.7, the incorporation of these unsteady flow effects into the next control model will allow the generated force to more accurately match the desired control direction.

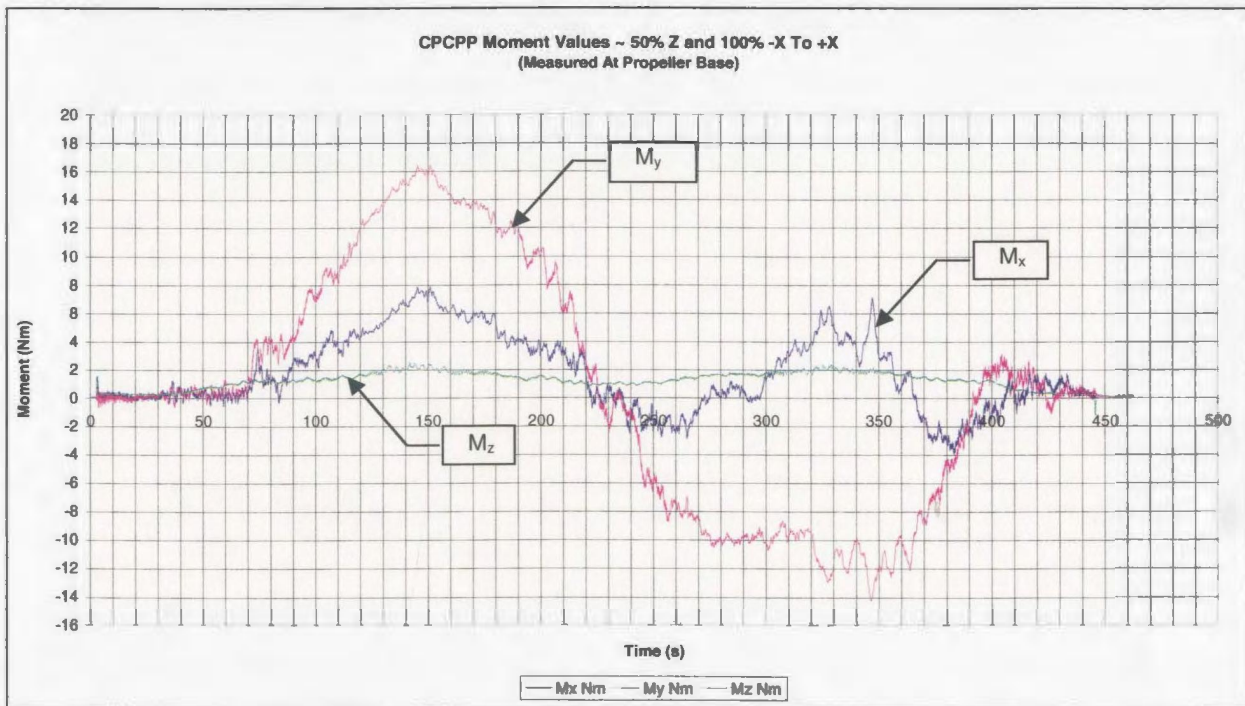


Figure 8.18: Moment Results for Maneuvering While Thrusting Ahead

8.9 Calculated Values for K_T and K_Q at Bollard Conditions

While the plots of thrust and moment vs. time provide proof the propeller functioned as intended, propeller performance has typically been published as dimensionless values of advance coefficient (J), thrust coefficient (K_T) and torque coefficient (K_Q) [Lewis, 1988]. The values of K_T and K_Q are typically plotted against J . However, all testing was done at a bollard condition. As $J = 0$ for the bollard condition, the data for K_T and K_Q were plotted against the dimensionless value of percentage of applied blade angle. These angles can be calculated accurately using the parametric model discussed in Section 5.7 due to the fixed relationships between actuator position and blade angle. The values of K_T , K_Q and J are defined by the following equations.

$$K_T = \frac{T}{\rho \cdot n^2 \cdot d^4} \quad (\text{Eq 8.3})$$

$$K_Q = \frac{Q}{\rho \cdot n^2 \cdot d^5} \quad (\text{Eq 8.4})$$

$$J = \frac{V_A}{n \cdot d} \quad (\text{Eq 8.5})$$

The subsequent load cell direction shall be represented in this thesis by a subscript for the required direction. For example, K_{Tz} , represents the thrust coefficient in the z-direction.

The values of K_T and K_Q for the CPCPP in the ahead / astern thrust configuration were calculated from the data presented in Figure 8.9 and Figure 8.10. The values for the thrust and torque were tabulated as the blade angle was increased in 10% increments. These increases and decreases in the blade angle left a small plateau after each increment was completed in the raw data before averaging. The time at which these plateaus occurred could be recorded and the corresponding value of F_x , F_y , F_z , M_x , M_y , and M_z could be recorded from the plotted data. These values were then used to calculate K_T and K_Q for both the ahead and the astern conditions as described in Lewis [1998]. The results were plotted in Figure 8.19.

The resulting plots for K_T were nearly identical for the ahead and astern conditions. The blade rake and hub taper angle have a small effect on the thrust output of the propeller. The small difference in ahead and astern thrust is not the result of blade twist or blade camber. The blades used on the CPCPP are symmetric sections and have no twist. The astern condition provided 15% more thrust than the ahead condition. This difference in thrust was due to the poor

hydrodynamics of the flow in the ahead condition. The propeller fairing collar at the propeller hub caused these poor hydrodynamics. A picture of the fairing collar can be seen in Figure 8.4. Once the propeller housing is faired into the C-SCOUT vehicle, the K_T values for the ahead condition should improve, as the fairing collar will blend in with the body fairing of the propeller. The cubic relation expressed by the data illustrates that the blade pitch relationship was nonlinear as expected. This cubic relationship can also be seen in the open water curve of K_T for a B-series screw propeller for various Pitch to Diameter (P/D) ratios, see Figure 8.20. This relationship can be incorporated into the control model once it has been fully quantified.

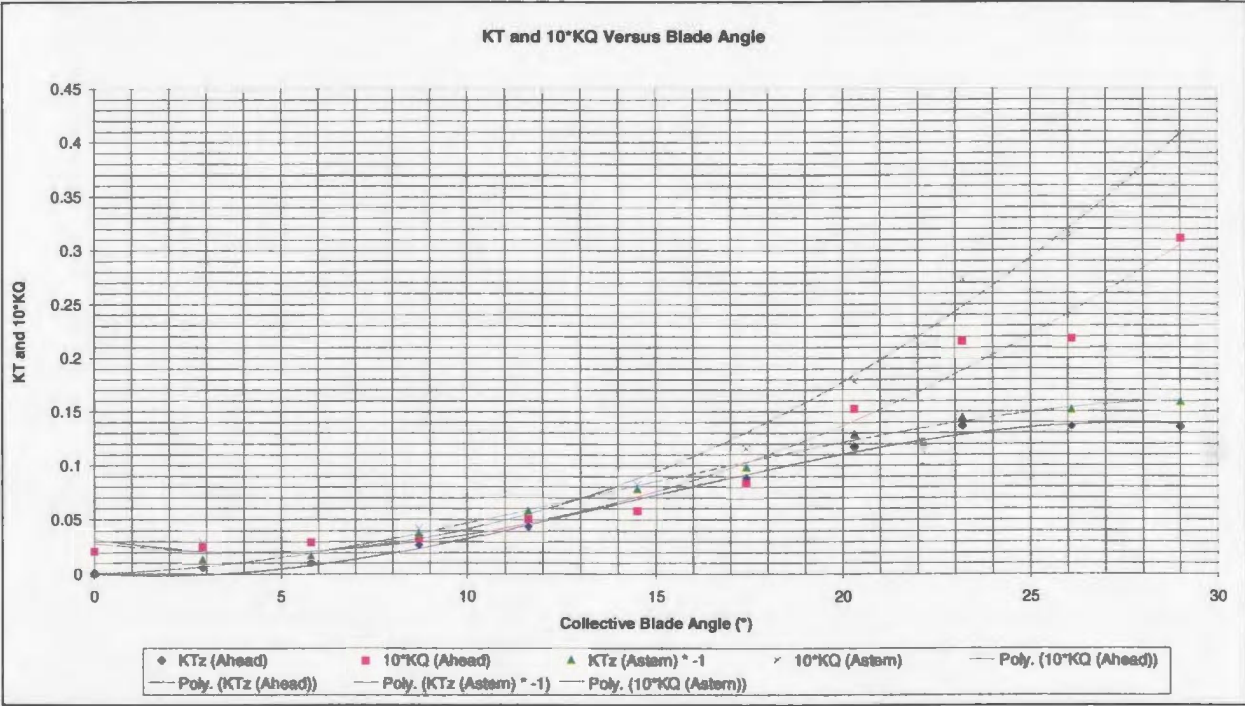


Figure 8.19: K_T and K_Q Plots for Varying Blade Angle (No Side Thrust)

The values of K_Q plotted in the Figure 8.19 showed a nonlinear increase in torque as the thrust output from the propeller increases. Once again the K_Q values for the astern condition were higher than the K_Q values for the ahead condition by 24%. This result was expected, as the thrust produced in the astern condition was approximately 15% greater than the thrust produced in the ahead condition. A higher thrust output should result in a higher required propeller torque.

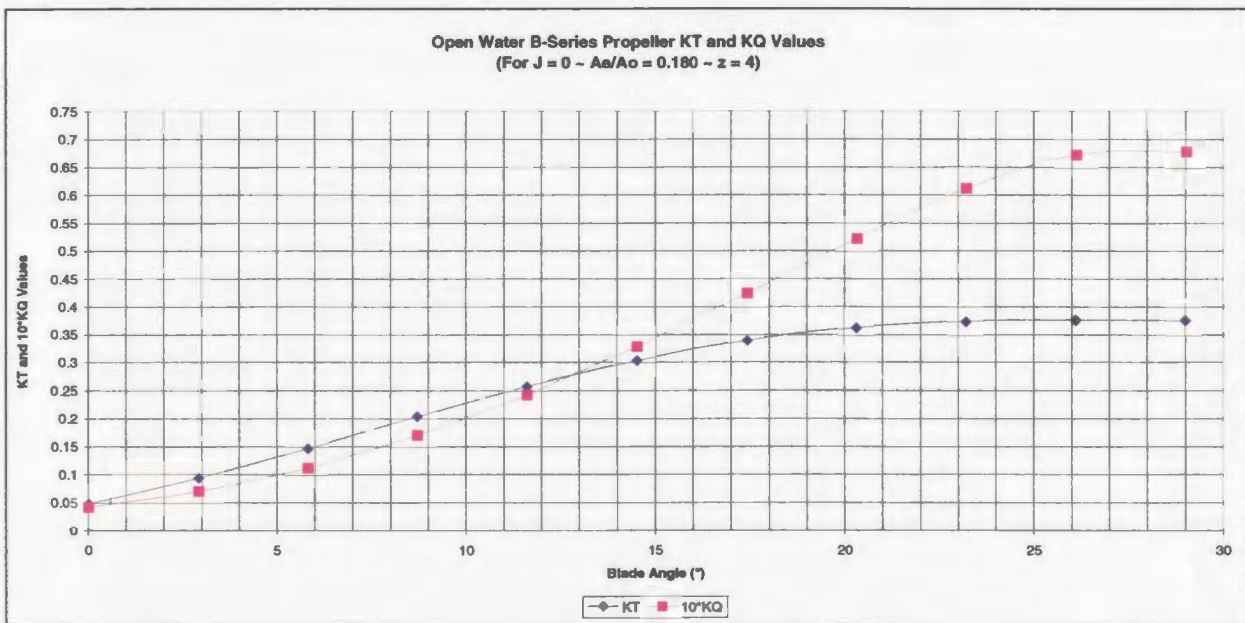


Figure 8.20: Open Water K_T and K_Q Curves for B-Series Screw Propeller

Comparison of the shape of the curves presented in Figure 8.19 and Figure 8.20 illustrate a similarity between the open water curves of the B-series propeller and the actual collected data for the CPCPP. This demonstrates that the CPCPP

was behaving similar to a controllable pitch B-series propeller. The fitted polynomials, cubic for the K_T values and quadratic for the K_Q values reasonably match the trend of the plotted data points. The curves in Figure 8.20 were created using the B-series polynomials [Lewis, 1988]. The curves are based on the parameters of the propeller's operation using equations 8.6 and 8.7. The collective blade action of the propeller was modeled using pitch to diameter ratio, P/d . The number of blades, z , was four and the area ratio A_e / A_o was 0.180. The value of the advance coefficient, J , was set at zero. The value of K_T at a blade angle of 0° in Figure 8.20 is not zero as in Figure 8.19, because B-series propellers have cambered blades. Also, the experimental values presented in Figure 8.19 are delivered thrust and required torque. The values plotted in Figure 8.20 are open water values, and have not taken into account relative rotative efficiency and hull efficiency. By correcting the values of K_T and K_Q of the B-series propeller for wake fraction and thrust deduction, a more direct comparison could be made between the two propellers. However, more specific measurements would be required to make these corrections, and this was not a requirement of the preliminary tests.

$$K_T = \sum_{i=1}^{39} \left[C_{s,t,u,v_i} \cdot J_i^s \cdot \left(\frac{P}{d} \right)_i^t \cdot \left(\frac{A_e}{A_o} \right)_i^u \cdot z_i^v \right] \quad (\text{Eq 8.6})$$

$$K_Q = \sum_{k=1}^{47} \left[C_{s,t,u,v_j} \cdot J_k^s \cdot \left(\frac{P}{d} \right)_k^t \cdot \left(\frac{A_e}{A_o} \right)_k^u \cdot z_k^v \right] \quad (\text{Eq 8.7})$$

Data was collected for the 20% astern condition, while increasing the port thrust blade angles in 20% increments. The thrust and torque generated was measured three times, allowing the tank to settle between measurements. This resulted in a series of data similar the ones plotted in Figure 8.13 and Figure 8.14. The average force and moment values for the three peaks in the graphs were averaged to quantify the thrust and the moments generated during each run. As with the data analysis discussed in Section 8.7, the moments were used to calculate the total side thrust generated by the propeller. The values of K_T and K_Q were calculated from the thrust values and plotted in Figure 8.21.

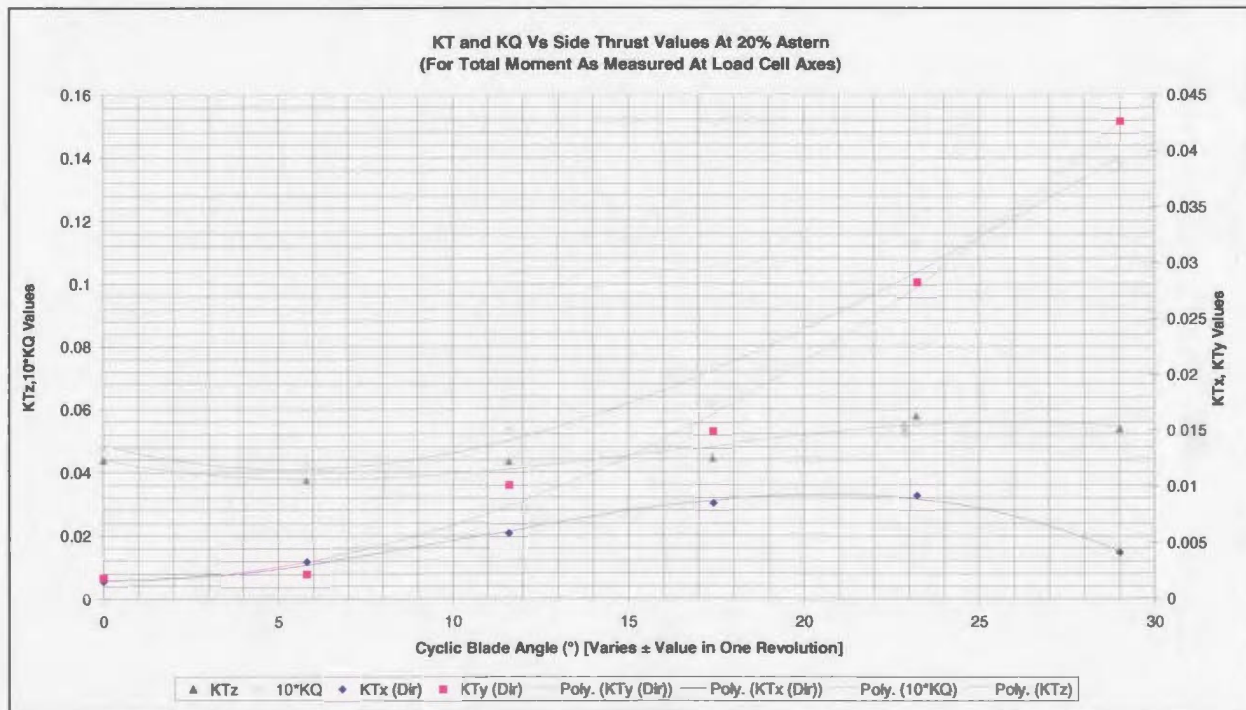


Figure 8.21: K_T and K_Q Plots for Varying Side Thrust Angle (20% Astern)

The values of K_{Tz} and K_Q were plotted on the left hand y-axis of the graph, while the values of K_{Tx} and K_{Ty} were plotted on a secondary y-axis located on the right side of the graph. K_{Tz} represents the thrust coefficient for the axial direction of the propeller. K_{Tx} and K_{Ty} represent the thrust coefficients of the radial or lateral thrust directions.

The plot of K_Q behaved as expected, showing an increase in propeller torque as the thrust level increased. The plot of K_{Tz} showed that there was little change in the astern thrust level as cyclic pitch increases. This relative stability in the ahead / astern thrust level was expected, as collective pitch was not being varied for this test.

As with the test of side thrust conducted in Section 8.7, the unsteady flow effects caused the side thrust to lag the intended control direction. This is evident in the large value of K_{Ty} , which was perpendicular to the intended control direction. This large value of K_{Ty} was expected, as the amount of astern thrust was only 20% of maximum. As discussed in Section 8.7, an increase in the amount of astern thrust would result in a larger portion of the side thrust in the K_{Tx} direction. The magnitude of K_{Tx} and K_{Ty} exhibited an increase with an increase in the blade pitch angle, as expected.

Figure 8.21 demonstrates that the CPCPP does generate a significant amount of side thrust for maneuvering purposes. The K_{Ty} value of 0.0425 was equivalent to about 40% of the available ahead / astern thrust. This side thrust of $K_{Ty} = 0.0425$ occurred at a collective astern thrust of 20%. Figure 8.19 and Figure 8.21 demonstrated that this thrust could be as high as 76% of ahead thrust for the hard to port condition with 50% ahead thrust. The resulting turning moment of 18.9 Nm (167.7 in-lb) with a forward thrust of 26.7 N (6 lbf) would be sufficient to turn the C-SCOUT vehicle in 3.5 body lengths while traveling at a speed of 1.6 m/s (3.1 knots) [Bijleveld, 2002]. This result was interpolated from Bijleveld's plot for required yaw moment vs. forward velocity. The turning circle was calculated using the hydrodynamic simulator developed by Perrault [2002]. This would result in a turning circle of 9.5 m (31.1 ft). In contrast, the best turning circle achieved with a conventional thruster and control surfaces tests at this speed was about 25 m. The CPCPP would provide a substantial improvement over the existing vehicle configuration.

Chapter 9

Conclusions and Recommendations

9.1 Conclusions

A fully actuated, computer controlled collective and cyclic pitch propeller has been developed and constructed for the C-SCOUT AUV. A series of preliminary experiments have been conducted on this CPCPP using a locally placed six-component balance to measure the forces and moments produced by the CPCPP. The following conclusions can be drawn from these preliminary series of experiments:

- A successful production prototype CPCPP has been designed, constructed and initially tested. All of the mechanical linkages and components functioned as intended when designed. The success of the development of this complex mechanical mechanism was due largely to the use of parametric modeling and kinematic simulation during the design phase of the project.
- The developed propeller generates substantial maneuvering thrust as predicted. The propeller is capable of generating a large 18.9 Nm (168 in-lb) moment to port with a forward thrust of 26.7 N (6 lbf). Although these values are for the bollard condition and are expected to reduce as forward

speed increases, the CPCPP is capable of providing substantial maneuvering forces. This poses a significant improvement in turning radius over the existing fin and thruster arrangement of C-SCOUT. The system is also capable of turning the vehicle with no forward speed with a moment of 11.4 Nm (101 lb-in).

- The CPCPP provides maneuvering forces for the control of an underwater vehicle. The effects of unsteady flow about the oscillating blades of the propeller, as discussed in Section 8.7, were an important consideration when designing a control scheme for the propeller. The unsteady flow effects were found to be independent of cyclic thrust magnitude, but dependent on axial thrust magnitude. These axial thrust relationships to unsteady flow effects are going to have to be incorporated into the control model for the propeller to provide thrust in the intended direction at all speeds of the vehicle.

Unfortunately, there are no data available to compare the effectiveness of the side thrust generated, as no free running tests were done with the propeller on a vehicle. However, the values collected from the preliminary tests of the CPCPP indicate that this type of propulsion could provide a significant improvement over existing propulsion and control systems. The ability to turn the vehicle while traveling at very slow or stopped forward speeds, makes the CPCPP ideal for

many subsea surveying and mapping applications. The addition of a second CPCPP unit to the front of an underwater vehicle would provide the ability to hover the vehicle in nearly any orientation [Stenovet et al., 1987].

9.2 Recommendations

While a series of experiments were conducted to prove that the newly designed and constructed collective and cyclic pitch propeller produced axial and radial forces during operation, a more comprehensive study of the propeller and its hydrodynamic properties are required. The following actions are required before testing on an underwater vehicle could commence:

1. The relationship between axial thrust and unsteady flow lag in maneuvering forces needs to be quantified and fully understood.
2. The existing control model for propeller operation needs to be modified so the equations incorporate the following:
 - The equations need to compensate for the non-linearity in the K_T response curve to provide a linear thrust output for vehicle operation. While making the CPCPP controller algorithms more complicated, a linear control to thrust relationship allows the CPCPP to be easily installed on different vehicles.

- The quantified relationship between the unsteady lag in the maneuvering forces and the axial thrust needs to be incorporated into the control model.
3. The stainless steel sliders inside of the propeller need to be replaced with brass or bronze to prevent any future gauling of the sliders and the main drive shaft. The secondary o-ring seals on the drive shaft need to be reworked to reduce the friction on the drive shaft of the propeller.
 4. A series of self propulsion trials needs to be conducted using the CPCPP to provide a basis for a numerical model to predict the forces and moments generated by the complex flows around the propeller. This model would aid greatly in the optimization of blade shape for this type of propulsion system by allowing designers to model different blade geometries. This could potentially reduce the cost of manufacturing by making only effective blades.
 5. The electronic control system needs to be integrated into the CPCPP housing and the control interface architecture developed. A triple axis accelerometer could be incorporated into the control system to allow for the investigation of motion stabilization capabilities of the CPCPP.

Once these recommendations are completed, the CPCPP can be tested on an AUV such as C-SCOUT to evaluate the controllability and stability of the AUV in

a free-swimming environment. The results of these tests can be used to develop the final modifications to the propeller's control architecture and control model. After these final modifications are complete, the CPCPP will be ready to be redesigned and manufactured as a full production propulsion unit for underwater vehicles.

Bibliography

Abbott, I. and von Doenhoeff, A., 1959, "Theory of Wing Sections", McGraw-Hill, Dover, NY, USA.

Allegro Microsystems, 2002.

<http://allegromicro.com/datafile/97024.pdf>

Avallone, E. A. and Baumeister III, T., 1996, "Marks' Standard Handbook For Mechanical Engineers, Tenth Ed.", McGraw-Hill, Toronto.

Bijleveld, H. 2002, "Design of a Cyclic Pitch Propeller for the Autonomous Underwater Vehicle C-SCOUT: Masters Thesis, Delft University of Technology", Netherlands.

Cantrell, P., 2004, "Helicopter Aerodynamics"

http://www.copters.com/helo_aero.html

Century Helicopter Products (CHP), 2004, "CN1000A Kit/CN1006A ARF HAWK Instruction Manual."

<http://www.centuryheli.com/support/manuals/cn100xHawk4/hawk4.html>

Cierva (De La), J., 1926, "The Development of the Autogyro", The Journal of the Royal Aeronautical Society, UK.

Curtis, T., 2001, "The Design, Construction, Outfitting and Preliminary Testing of the C-SCOUT Autonomous Underwater Vehicle (AUV)", Masters Thesis, Memorial University of Newfoundland, Canada.

Domke, B., 2004, "Helicopter Rotorhead Close-Up Gallery."

<http://www.b-domke.de/AviationImages/Rotorhead.html>

Eckhardt, M. K. and Morgan, W. B., 1955, "A Propeller Design Method," SNAME Annual Meeting, New York, USA.

Erdman, A. G. and Sandor, G. N., 1997, "Mechanisms Design Analysis and Synthesis, Volume 1, Third Ed.", Prentice Hall Inc.

Gerber, H., 1990, "Elementary Linear Algebra," Brooks/Cole, Toronto.

Gazzola, J., 2003, "Helicopter History Site", Argentina.

<http://www.helis.com/introduction/prin.php>

Haselton, F. R., 1963, US Patent 3,101,106.

Haselton, F. R., 1966, US Patent 3,291,086.

Haselton, F. R., 1969, US Patent 3,450,083.

Hess J.L., Smith, A.M.O.. Calculation of Potential Flow About Arbitrary Bodies, in Progress in Aeronautical Sciences, Vol. 8, 1967, pages 1-138.

Rumerman, J., "Helicopter Development in the Early Twentieth Century," US Centennial of Flight Commission, USA.

http://www.centennialofflight.gov/essay/Rotary/early_20th_century/HE2.htm

Lechartier, V., 2002, "Cyclic Pitch Propellers", NRC-IMD, St. John's, Canada.

Leishman, J. G., 2000, "Evolution of Helicopter Flight," USA.

<http://www.flight100.org/history/helicopter.html>.

Lewis, E. V., 1988, "Principles of Naval Architecture, Second Revision", Volume II: Resistance, Propulsion and Vibration, SNAME, New Jersey.

McFarlane, J., 1993, "Development of Underwater Work Systems", Oceans '93, Victoria, BC, Canada.

Marshall, B., 2000, "How Helicopters Work," HowStuffWorks, USA.

<http://travel.howstuffworks.com/helicopter5.htm>

Montgomery, D.G., 2001, "Design and Analysis of Experiments, 5th Edition," Wiley, Toronto.

MUN and NRC-IOT, 2003, "Canadian Self Contained Of-the-self Underwater Testbed (C-SCOUT), Newfoundland, Canada.

<http://www.engr.mun.ca/%7ecscout/index.html>

Murray, B., Fraser, J., Dai, C., and Maskew, B., 1994, "Application of Cyclic Pitch Thrusters," Propellers/Shafting Symposium, Virginia, USA.

ON Semiconductor, 2004.

<http://www.onsemi.com/pub/Collateral/MC33033-D.PDF>

Perrault, D. 2002, "Autonomous Underwater Vehicles (AUV) Sensitivity of Motion Response To Geometric and Hydrodynamic Parameters and AUV Behaviors With Control Plane Faults", PhD. Thesis, Memorial University of Newfoundland, Canada.

Rino Industries Ltd (RIL), 2002

<http://www.rino.co.uk/>

Saunders, A., 2001, "The Effect of Velocity and Orientation on the Simulation and Experimental Characterization of a Transversely Mounted Small-Diameter AUV Tunnel Thruster," Masters Thesis, University of Victoria, Canada.

Seddon, J., 1990, "Basic Helicopter Aerodynamics." Reston, VA: American Institute of Aeronautics and Astronautics.

Shevell, R. S., 1989, "Fundamentals of Flight, Second Edition," Prentice Hall, New Jersey.

Stenovec, G. M. and Haselton, F.R., 1987, "An Efficient Propulsion System For Untethered Submersible Vehicles," UUST Conference.

Stiffler, A. K., 1992, "Design with Microprocessors for Mechanical Engineers", McGraw-Hill, USA

Thomas, R., 2003, "Performance Evaluation of the Propulsion System for the Autonomous Underwater Vehicle "C-SCOUT", Masters Thesis, Memorial University of Newfoundland, Canada.

Ultra Motion, 2002.

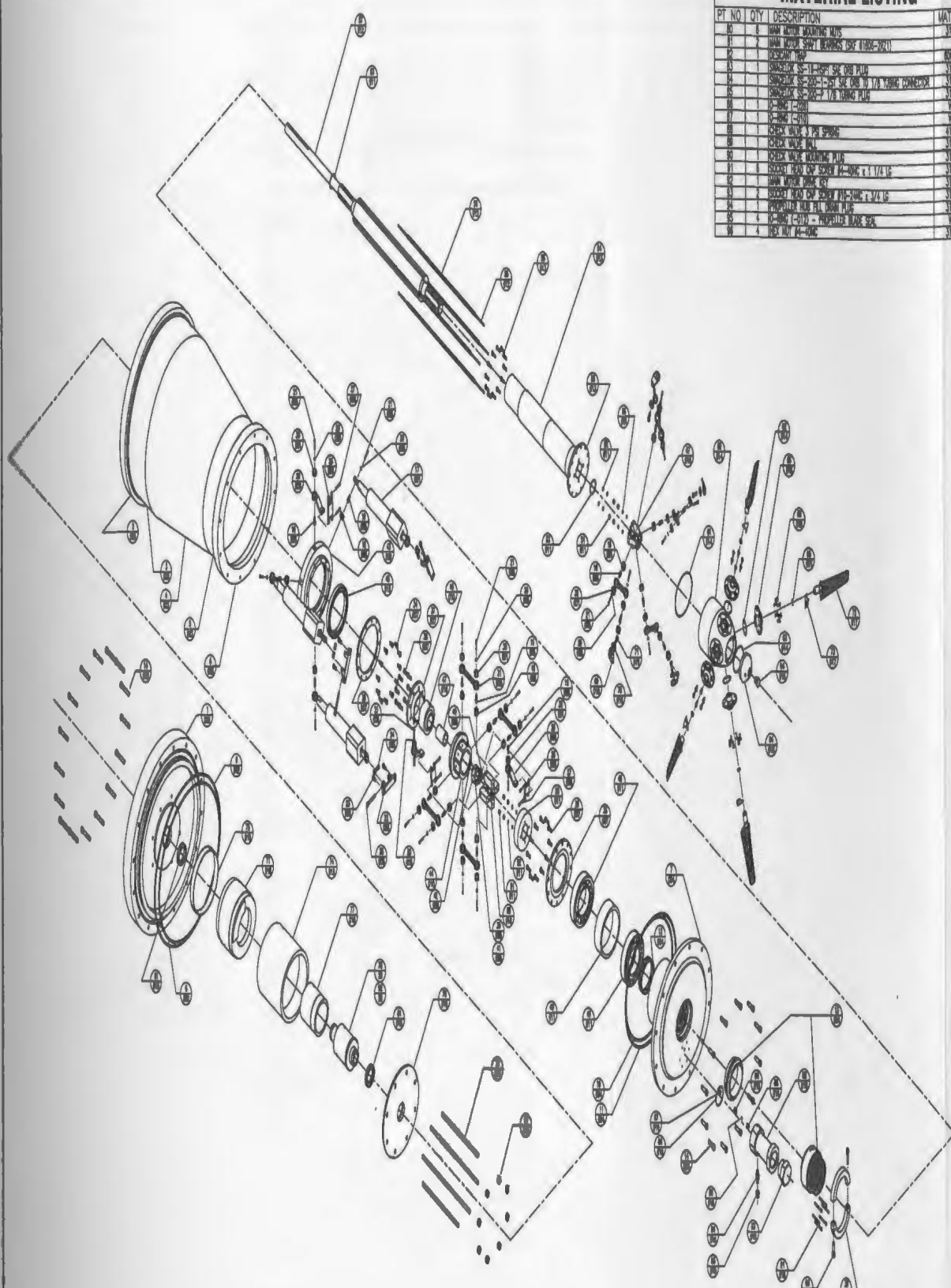
<http://www.ultramotion.com>

Van Manen, J. D., 1966, "Results of Systematic Tests with Vertical Axis Propellers," International Shipbuilding Progress, Vol. 13.

Vickers, 1996, "Industrial Hydraulics Manual, Third Edition, Sixth Printing," Vickers, Rochester Hills, Michigan, USA.

Wernli, 2000, "AUV Commercialization – Who's Leading the Pack?", Oceans 2000 Proceedings, Rhode Island, USA.

Appendix A – Fabrication Drawings



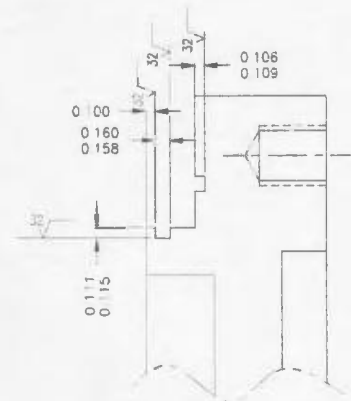
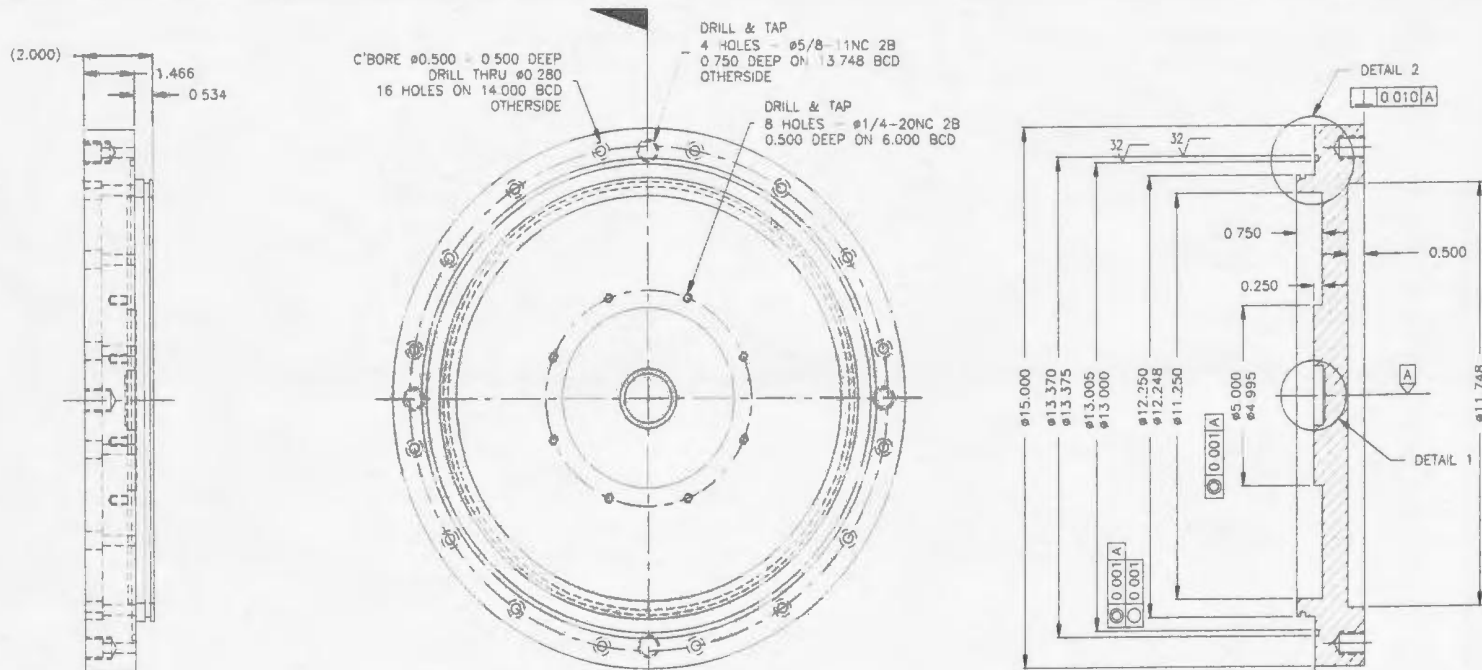
MATERIAL LISTING

PT. NO.	QTY.	DESCRIPTION	MATERIAL
11	1	SHAFT	316 SS
12	1	BEARING	316 SS
13	1	BEARING	316 SS
14	1	BEARING	316 SS
15	1	BEARING	316 SS
16	1	BEARING	316 SS
17	1	BEARING	316 SS
18	1	BEARING	316 SS
19	1	BEARING	316 SS
20	1	BEARING	316 SS
21	1	BEARING	316 SS
22	1	BEARING	316 SS
23	1	BEARING	316 SS
24	1	BEARING	316 SS
25	1	BEARING	316 SS
26	1	BEARING	316 SS
27	1	BEARING	316 SS
28	1	BEARING	316 SS
29	1	BEARING	316 SS
30	1	BEARING	316 SS
31	1	BEARING	316 SS
32	1	BEARING	316 SS
33	1	BEARING	316 SS
34	1	BEARING	316 SS
35	1	BEARING	316 SS
36	1	BEARING	316 SS
37	1	BEARING	316 SS
38	1	BEARING	316 SS
39	1	BEARING	316 SS
40	1	BEARING	316 SS
41	1	BEARING	316 SS
42	1	BEARING	316 SS
43	1	BEARING	316 SS
44	1	BEARING	316 SS
45	1	BEARING	316 SS
46	1	BEARING	316 SS
47	1	BEARING	316 SS
48	1	BEARING	316 SS
49	1	BEARING	316 SS
50	1	BEARING	316 SS
51	1	BEARING	316 SS
52	1	BEARING	316 SS
53	1	BEARING	316 SS
54	1	BEARING	316 SS
55	1	BEARING	316 SS
56	1	BEARING	316 SS
57	1	BEARING	316 SS
58	1	BEARING	316 SS
59	1	BEARING	316 SS
60	1	BEARING	316 SS
61	1	BEARING	316 SS
62	1	BEARING	316 SS
63	1	BEARING	316 SS
64	1	BEARING	316 SS
65	1	BEARING	316 SS
66	1	BEARING	316 SS
67	1	BEARING	316 SS
68	1	BEARING	316 SS
69	1	BEARING	316 SS
70	1	BEARING	316 SS
71	1	BEARING	316 SS
72	1	BEARING	316 SS
73	1	BEARING	316 SS
74	1	BEARING	316 SS
75	1	BEARING	316 SS
76	1	BEARING	316 SS
77	1	BEARING	316 SS
78	1	BEARING	316 SS
79	1	BEARING	316 SS
80	1	BEARING	316 SS
81	1	BEARING	316 SS
82	1	BEARING	316 SS
83	1	BEARING	316 SS
84	1	BEARING	316 SS
85	1	BEARING	316 SS
86	1	BEARING	316 SS
87	1	BEARING	316 SS
88	1	BEARING	316 SS
89	1	BEARING	316 SS
90	1	BEARING	316 SS
91	1	BEARING	316 SS
92	1	BEARING	316 SS
93	1	BEARING	316 SS
94	1	BEARING	316 SS
95	1	BEARING	316 SS
96	1	BEARING	316 SS
97	1	BEARING	316 SS
98	1	BEARING	316 SS
99	1	BEARING	316 SS
100	1	BEARING	316 SS

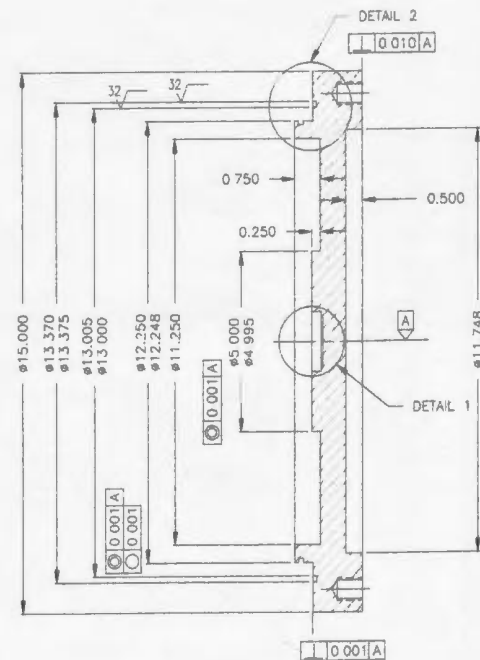
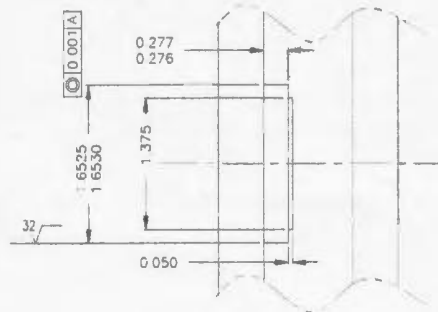
MATERIAL LISTING

PT. NO.	QTY.	DESCRIPTION	MATERIAL
101	1	BEARING	316 SS
102	1	BEARING	316 SS
103	1	BEARING	316 SS
104	1	BEARING	316 SS
105	1	BEARING	316 SS
106	1	BEARING	316 SS
107	1	BEARING	316 SS
108	1	BEARING	316 SS
109	1	BEARING	316 SS
110	1	BEARING	316 SS
111	1	BEARING	316 SS
112	1	BEARING	316 SS
113	1	BEARING	316 SS
114	1	BEARING	316 SS
115	1	BEARING	316 SS
116	1	BEARING	316 SS
117	1	BEARING	316 SS
118	1	BEARING	316 SS
119	1	BEARING	316 SS
120	1	BEARING	316 SS
121	1	BEARING	316 SS
122	1	BEARING	316 SS
123	1	BEARING	316 SS
124	1	BEARING	316 SS
125	1	BEARING	316 SS
126	1	BEARING	316 SS
127	1	BEARING	316 SS
128	1	BEARING	316 SS
129	1	BEARING	316 SS
130	1	BEARING	316 SS
131	1	BEARING	316 SS
132	1	BEARING	316 SS
133	1	BEARING	316 SS
134	1	BEARING	316 SS
135	1	BEARING	316 SS
136	1	BEARING	316 SS
137	1	BEARING	316 SS
138	1	BEARING	316 SS
139	1	BEARING	316 SS
140	1	BEARING	316 SS
141	1	BEARING	316 SS
142	1	BEARING	316 SS
143	1	BEARING	316 SS
144	1	BEARING	316 SS
145	1	BEARING	316 SS
146	1	BEARING	316 SS
147	1	BEARING	316 SS
148	1	BEARING	316 SS
149	1	BEARING	316 SS
150	1	BEARING	316 SS
151	1	BEARING	316 SS
152	1	BEARING	316 SS
153	1	BEARING	316 SS
154	1	BEARING	316 SS
155	1	BEARING	316 SS
156	1	BEARING	316 SS
157	1	BEARING	316 SS
158	1	BEARING	316 SS
159	1	BEARING	316 SS
160	1	BEARING	316 SS
161	1	BEARING	316 SS
162	1	BEARING	316 SS
163	1	BEARING	316 SS
164	1	BEARING	316 SS
165	1	BEARING	316 SS
166	1	BEARING	316 SS
167	1	BEARING	316 SS
168	1	BEARING	316 SS
169	1	BEARING	316 SS
170	1	BEARING	316 SS
171	1	BEARING	316 SS
172	1	BEARING	316 SS
173	1	BEARING	316 SS
174	1	BEARING	316 SS
175	1	BEARING	316 SS
176	1	BEARING	316 SS
177	1	BEARING	316 SS
178	1	BEARING	316 SS
179	1	BEARING	316 SS
180	1	BEARING	316 SS
181	1	BEARING	316 SS
182	1	BEARING	316 SS
183	1	BEARING	316 SS
184	1	BEARING	316 SS
185	1	BEARING	316 SS
186	1	BEARING	316 SS
187	1	BEARING	316 SS
188	1	BEARING	316 SS
189	1	BEARING	316 SS
190	1	BEARING	316 SS
191	1	BEARING	316 SS
192	1	BEARING	316 SS
193	1	BEARING	316 SS
194	1	BEARING	316 SS
195	1	BEARING	316 SS
196	1	BEARING	316 SS
197	1	BEARING	316 SS
198	1	BEARING	316 SS
199	1	BEARING	316 SS
200	1	BEARING	316 SS

0	ISSUED FOR FABRICATION	TCH	11/13/03
A	ISSUED FOR APPROVAL	TCH	11/06/03
REV.	DESCRIPTION	BY	DATE
MEMORIAL UNIVERSITY OF NEWFOUNDLAND			
ST. JOHN'S, NL, CANADA			
FILE NO.	TCH	REVISED	MEDH
DATE			
SCALE	NTS	NO. SHEETS	1
EXPLODED DIAGRAM FOR MECHANICAL ASSEMBLY		SHEET	
SHAFT PARTS LISTING		1 OF 22	
PROJECT	O-SCOUT NAV PROJECT	DRAWING NO.	CPPO0001
DATE	06 NOV 2003	REV.	0



DETAIL 2



SECTION A-A

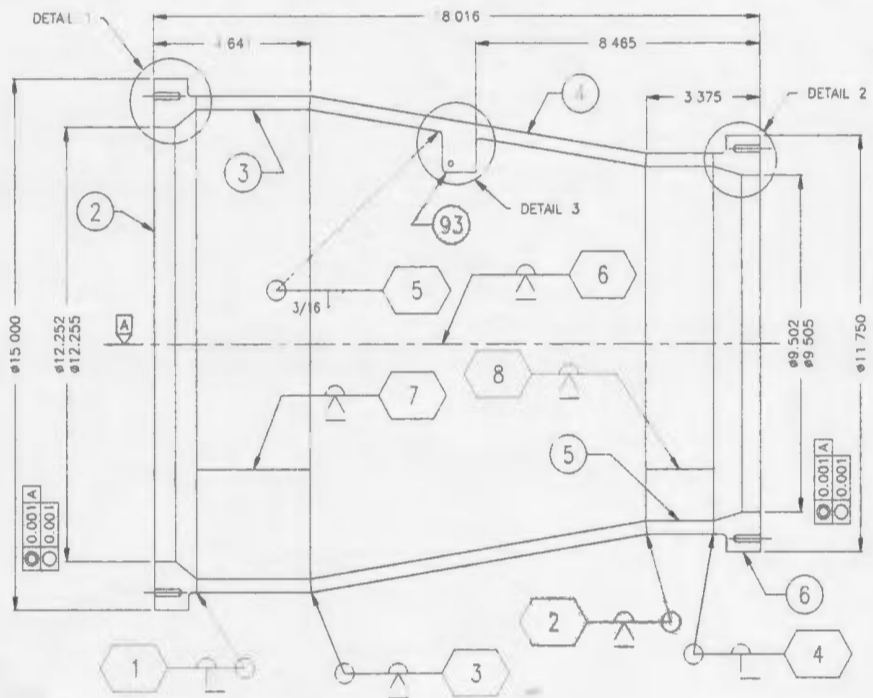
MATERIAL SPECIFICATIONS

Rev	PNo	PART	QTY	DESCRIPTION	GRADE	LB	HEAT No
		END CAP	1	PLATE 2 THK x 15 1/4 DIA	6061 T6		
B		O-RING 1	1	O-RING 1/8 X SEC 17 ID (-.275)	NITON		
D		O-RING 2	1	O-RING 1/8 X SEC 13 ID (-.175)	NITON		
A		CAP SCREW	16	SOCKET HEAD CAP SCREW 1/4-20NC x 1 1/2 LG	316 SS		

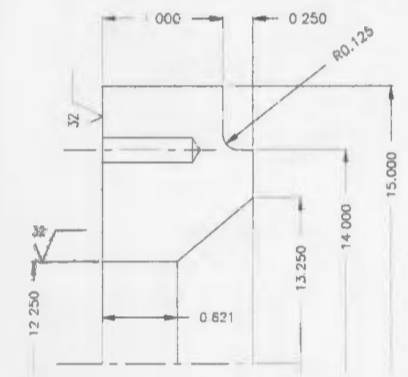
Notes:

- 1.) ALL DIMENSIONS IN INCHES
- 2.) TOLERANCE ON ALL DIMENSIONS ± 0.001 UNLESS OTHERWISE SPECIFIED
- 3.) ALL MACHINING TO BE 63 MICROINCH SURFACE FINISH UNLESS SPECIFIED
- 4.) PART(S) TO BE HARD ANODIZED AFTER FABRICATION IS COMPLETE

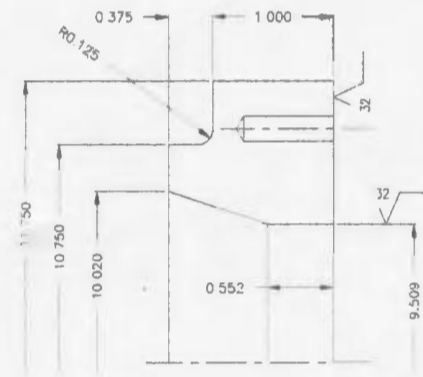
0	ISSUED FOR CONSTRUCTION	TCH	10/28/03
A	ISSUED FOR APPROVAL	TCH	10/03/03
MEMORIAL UNIVERSITY OF NEWFOUNDLAND			
ST. JOHN'S, NL, CANADA			
DATE	TCH	ISSUED	MECH
			FORWARD END CAP
SCALE	NTS	REV	1
C-SECT A/A PROJECT		DATE	03 OCT 2003
CYCLIC PITCH PROPELLER		CPPO0002	0



SECTION A-A



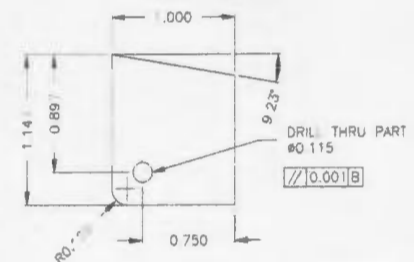
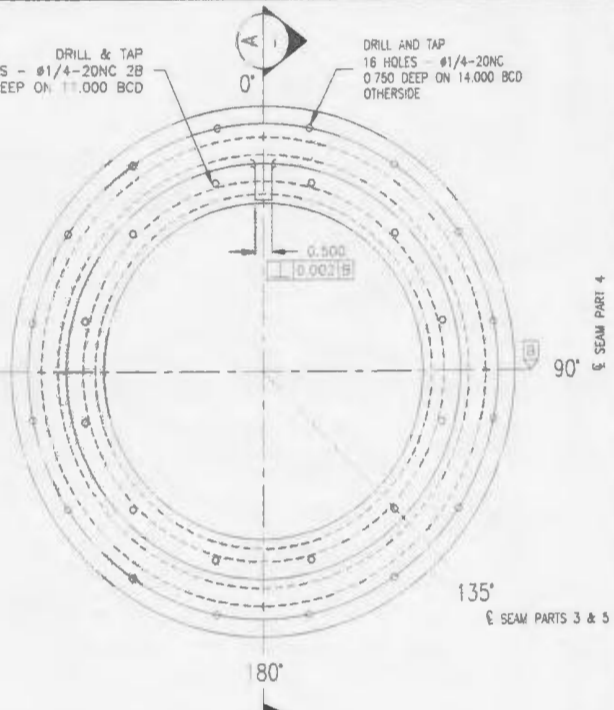
DETAIL 1



DETAIL 2

DRILL & TAP
12 HOLES - $\phi 1/4-20NC$ 2B
0.750 DEEP ON 11.000 BCD

DRILL AND TAP
16 HOLES - $\phi 1/4-20NC$
0.750 DEEP ON 14.000 BCD
OTHERSIDE



DETAIL 3

NO	WELD #	WPS	WELDER	INSP	FT UP	WELD	NOT
1	2	3	4	5	6	7	8
8							
7							
6-270							
6-90							
5							
4							
3							
2							
1							

WELD & QCR SCHEDULE

MATERIAL SPECIFICATIONS						
Ref No	PART	QTY	DESCRIPTION	GRADE	LIBS	HEAT No
2	FORWARD FLG	1	PLATE 1/2 THK x 15 1/4 DIA - 1000	A36-18		
3	HOUSING SHELL	1	PL 1/8 x 3.714 x 12.728 (90) ROLL TO 14.00	A36-18		
4	HOUSING CONE	1	PLATE 3/8 THK BUMP CODE	A36-18		
5	JET SHELL	1	13 1/4 O BOTTOM IS 9 TOP 10 HIGH	A36-18		
6	JET FLANGE	1	PLATE 1 1/2 THK x 12.28 - 1000	A36-18		

NOTES:

- 1) ALL DIMENSIONS IN INCHES
- 2) TOLERANCE ON ALL DIMENSIONS ± 0.001 UNLESS OTHERWISE SPECIFIED
- 3) ALL MACHINING TO BE 63 MICROINCH SURFACE FINISH UNLESS SPECIFIED
- 4) PART(S) TO BE HARD ANODIZED AFTER FABRICATION IS COMPLETE

0 ISSUED FOR FABRICATION TCH 0/28/03

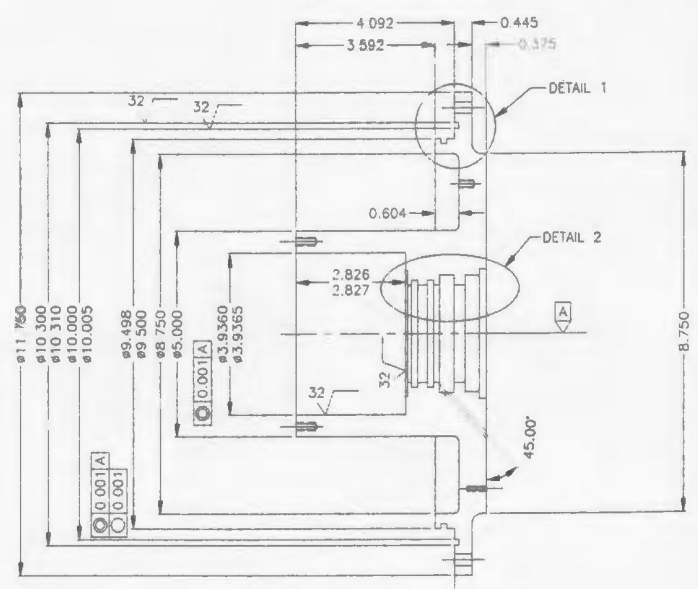
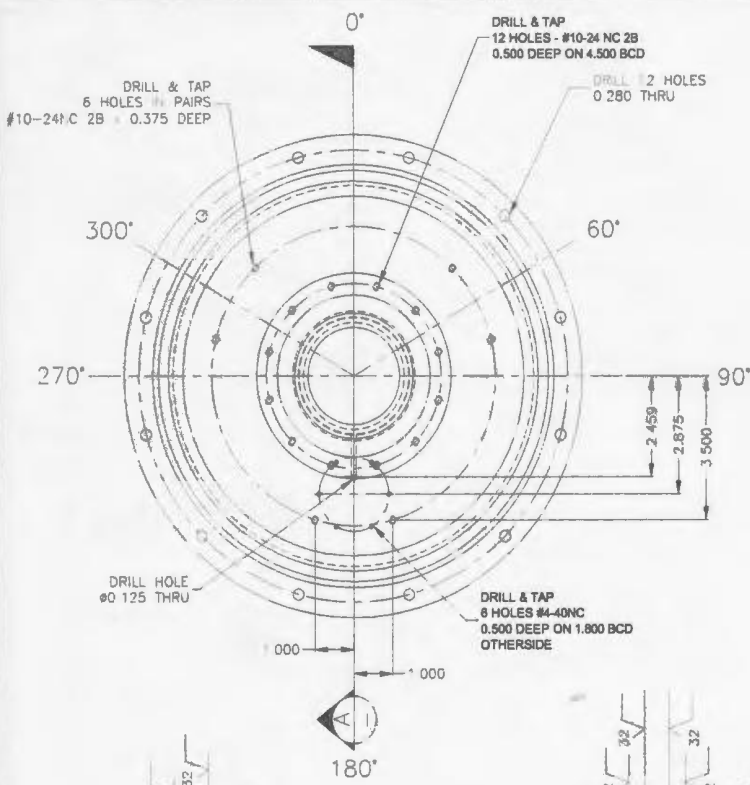
A ISSUED FOR APPROVAL TCH 0/06/03

MEMORIAL UNIVERSITY OF NEWFOUNDLAND
ST. JOHN'S, NL, CANADA

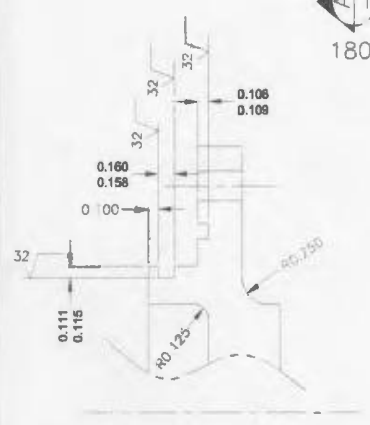
DRW BY: TCH, SHEFF, MICH, PWT
PRESSURE VESSEL ASSEMBLY

SCALE: 3/0"=1"

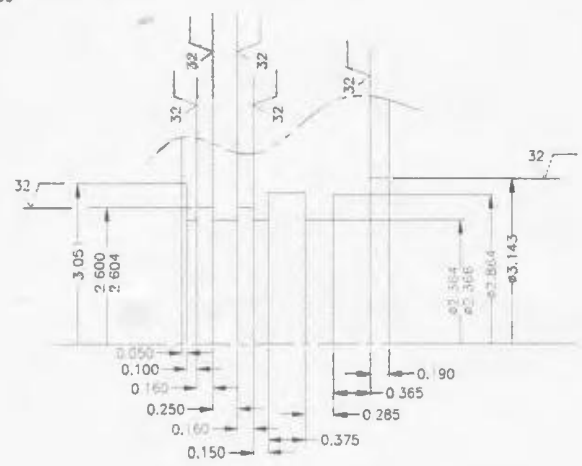
C-3000' ALL PROJECT
DATE: 21 OCT 2003
CPPO0003 0



SECTION A-A



DETAIL 1



DETAIL 2

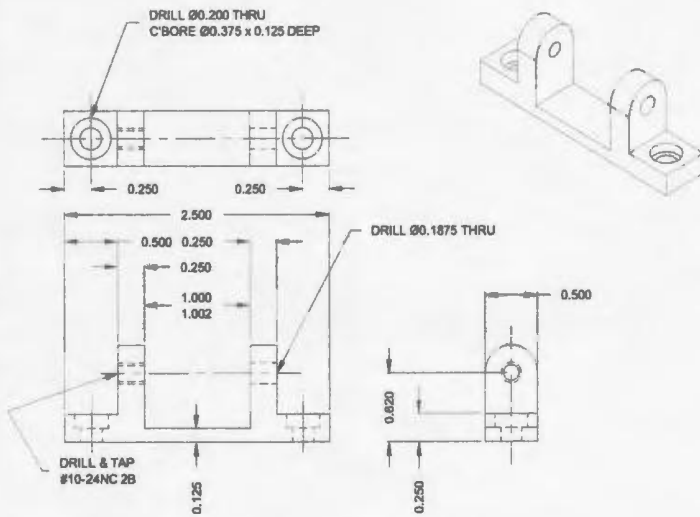
MATERIAL SPECIFICATIONS

Part No	PART	QTY	DESCRIPTION	GRADE	LBS	HEAT No
7	END CAP	1	PRO STA 12 DIA x 5 LG MACH	6061-T6		
10	O-RING 3	1	O-RING 1/8 x SEC 9 1/4 O.D. (-271)	NYLON		
11	O-RING 4	1	O-RING 1/8 x SEC 10 O.D. (-271)	NYLON		
12	O-RING 5	2	O-RING 1/8 x SEC 2 3/8 O.D. (-251)	NYLON		
13	MECH SEAL	1	MES-12 BOMB MECH SEAL (CARBON SS FACE)	BLUM H		
4	CAP SCREWS	12	SOCKET HEAD CAP SCREW 1/4 x 200 x 1 LG	316 SS		

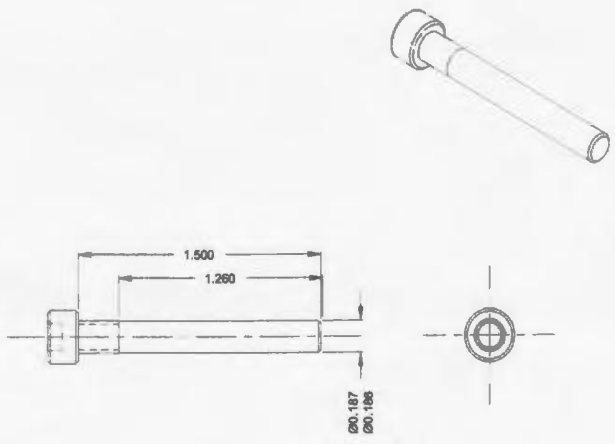
Notes:

- 1.) ALL DIMENSIONS IN INCHES
- 2.) TOLERANCE ON ALL DIMENSIONS ±0.001 UNLESS OTHERWISE SPECIFIED
- 3.) ALL MACHINING TO BE 63 MICRONCH SURFACE FINISH UNLESS SPECIFIED
- 4.) PART(S) TO BE HARD ANODIZED AFTER FABRICATION IS COMPLETE

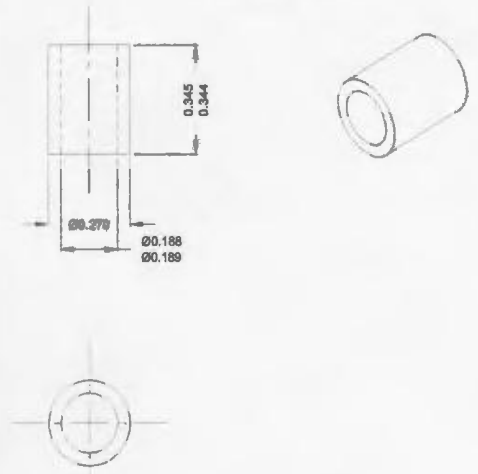
D	ISSUED FOR FABRICATION WITH SEAL DIMENSIONS	TCH	10/27/03
A	ISSUED FOR APPROVAL	TCH	12/15/03
MEMORIAL UNIVERSITY OF NEWFOUNDLAND			
ST. JOHN'S, NL, CANADA			
DRN TO	TCH	ENGRS	MECH
DATE	AT END CAP		
SCALE	N/S	NO. REQD	1
TOP	C-SCOUT ALU PROJECT CYCLIC PITCH PROPELLER		DATE 5 OCT 2003 CPP00004 0



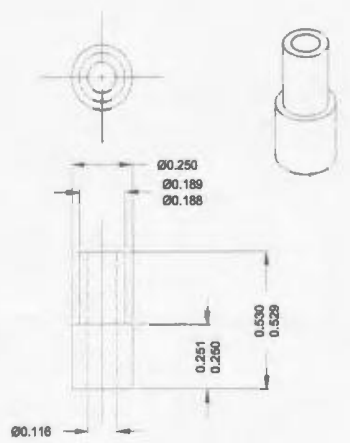
PART 22 - 3 REQ



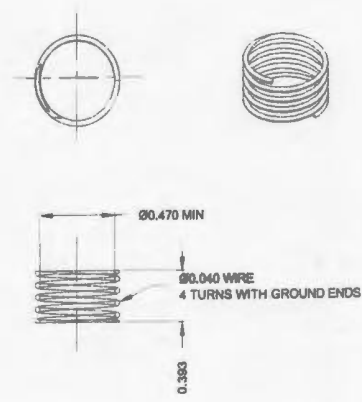
PART 25 - 3 REQ



PART 24 - 6 REQ



PART 19 - 22 REQ



PART 18 - SEE NOTE 4

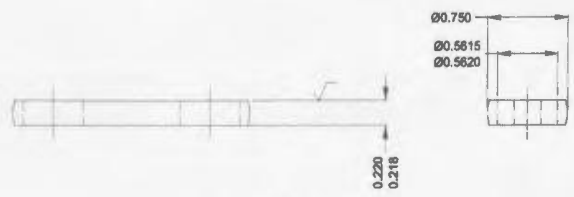
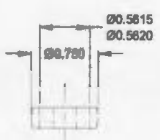
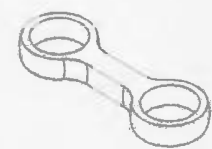
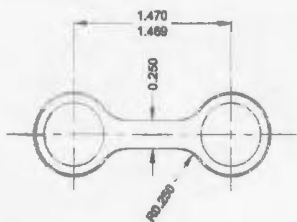
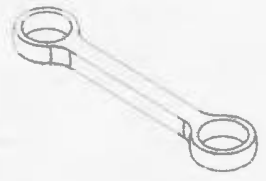
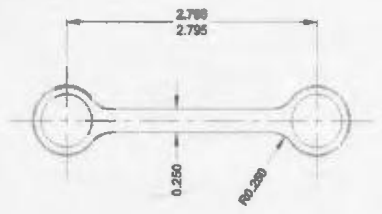
MATERIAL SPECIFICATIONS

Rev	Part	Qty	DESCRIPTION	QTY REQ	REV	FILE No.
18	SPRING	25	HELICAL SPRING BLAND 1.125H 1.6 WIRE Ø 1.125	25		
19	BRIDGE STOP	22	Ø10.270 x 0.345 x 0.344	22		
20	BRIDGE	22	Ø10.270 x 0.345 x 0.344	22		
21	CAP SCREW	22	SOCKET HEAD CAP SCREW #10-24 x 0.500	22		
22	AC WRENCH	1	1/8" x 1/2" x 7/16"	1		
23	CAP SCREW	6	SOCKET HEAD CAP SCREW #10-24 x 0.500	6		
24	ACT SPACER	6	Ø10.270 x 0.345 x 0.344	6		
25	ACT PIN	3	SOCKET HEAD CAP SCREW #10-24 x 1.125	3		

Notes:

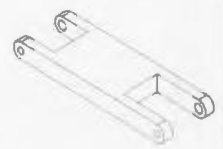
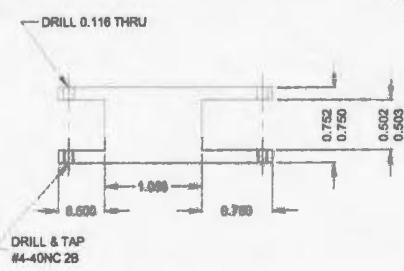
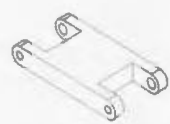
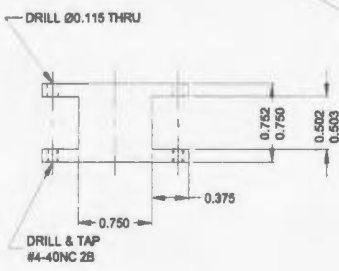
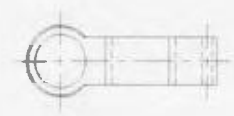
- 1) ALL DIMENSIONS IN INCHES
- 2) TOLERANCE ON ALL DIMENSIONS ±0.001 UNLESS OTHERWISE SPECIFIED
- 3) ALL MACHINING TO BE 63 MICRO INCH SURFACE FINISH UNLESS SPECIFIED
- 4) THIS PART BEING FABRICATED OUTSIDE UNIVERSITY

0	ISSUED FOR FABRICATION	TCH	10/2003
A	ISSUED FOR APPROVAL	TCH	10/21/03
MEMORIAL UNIVERSITY OF NEWFOUNDLAND			
ST. JOHN'S, N.L. CANADA			
Drawn by:	TCH	Checked by:	MECH
MSC PARTS DRAWING 1			
Scale:	NTS	Drawn by:	N/A
Project:	C-SCOUT AUV PROJECT	Date:	21 OCT 2003
Sheet:	5 OF 22	Part No.:	CPFD0005
Rev:	0	Drawn by:	TCH



PART 31 - 4 REQ

PART 32 - 4 REQ



PART 29 - 3 REQ

PART 28 - 2 REQ

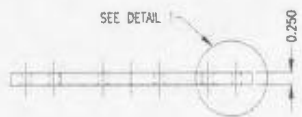
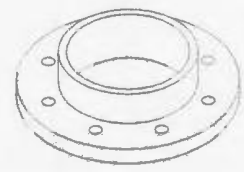
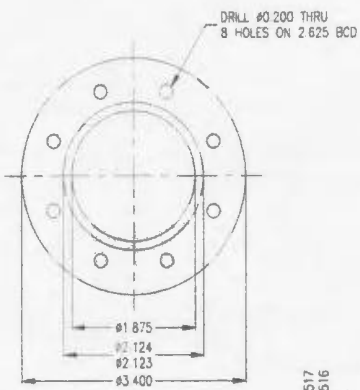
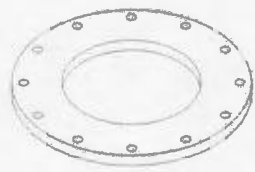
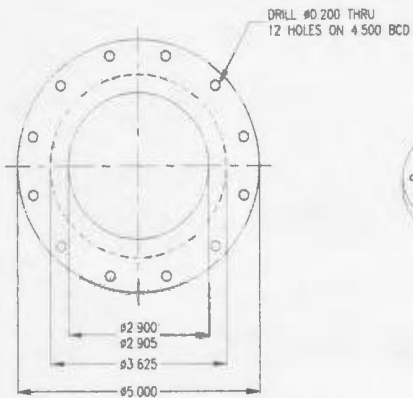
PART 26 - 1 REQ

MATERIAL SPECIFICATIONS					
Ref No	PART	QTY	DESCRIPTION	GRADE	Pr. Heat No.
26	SWP ST LWR	4	PS 1018 1/2 IN LG	302-30-02	
27	SWP SCREW	4	SCREW HEAD CAP SCREW 1/4 IN LG	302-30-02	
28	SWP ST LWR	2	PS 1018 1/2 IN LG	302-30-02	
29	SWP ST LWR	3	PS 1018 1/2 IN LG	302-30-02	
31	SWP ST LWR	4	PS 1018 1/2 IN LG	302-30-02	
32	SWP ST LWR	4	PS 1018 1/2 IN LG	302-30-02	

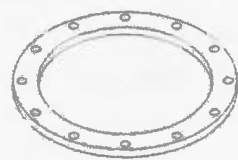
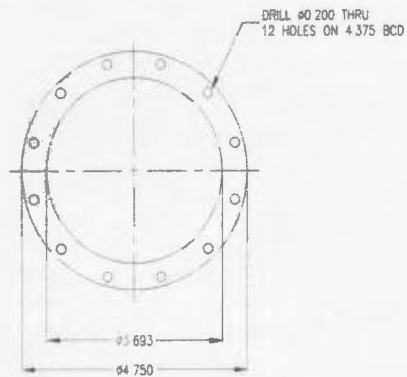
Notes:

- 1) ALL DIMENSIONS IN INCHES
- 2) TOLERANCE ON ALL DIMENSIONS ±0.001 UNLESS OTHERWISE SPECIFIED
- 3) ALL MACHINING TO BE 63 MICRON SURFACE FINISH UNLESS SPECIFIED

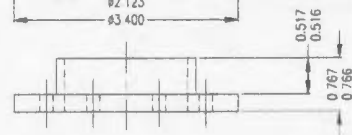
0	ISSUED FOR FABRICATION	TCH	103003
A	ISSUED FOR APPROVAL	TCH	102103
MEMORIAL UNIVERSITY OF NEWFOUNDLAND ST. JOHN'S, NL, CANADA			
DESIGN	TCH	FIELD	MECH
LINKAGE PARTS DRAWING			
SCALE	NTS	NO. 1102	N/A
C-SCOUT ALV PROJECT CYCLIC PITCH PROPELLER			21 OCT 2003
CPP00006			0



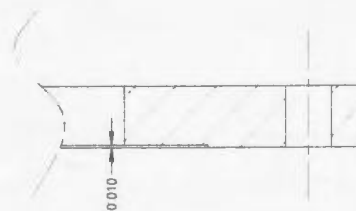
PART 33



PART 35



PART 37



DETAIL 1

MATERIAL SPECIFICATIONS

Rev	Part No	PART	QTY	DESCRIPTION	GRADE	QTY	HEAT No
13	33	WASH BR NET	1	PLATE 1/4 THK x 5 1/4 DIA - ANCH	303 / 304 SS		
14	34	CAP SCREW	12	SOCKET HEAD CAP SCREW #10-20UNC x 1/2 LG	316 SS		
15	35	WASH BR NET	1	PLATE 1/4 THK x 5 DIA - ANCH	303 / 304 SS		
16	36	CAP SCREW	12	SOCKET HEAD CAP SCREW #10-20UNC x 1/2 LG	316 SS		
17	37	WASH BR NET	1	RING STA 3/16 DIA x 1 LG - ANCH	303 / 304 SS		
18	38	CAP SCREW	8	SOCKET HEAD CAP SCREW #10-20UNC x 1/2 LG	316 SS		

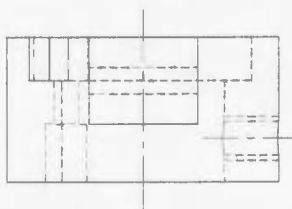
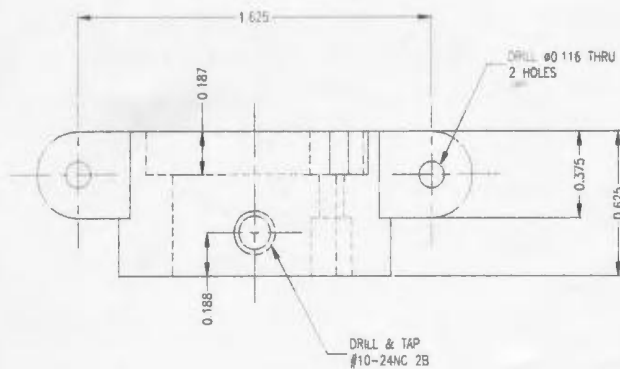
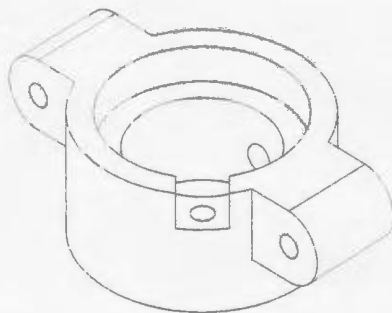
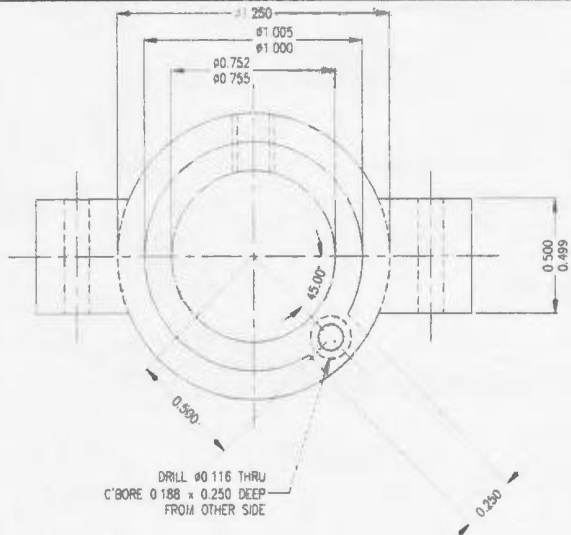
Notes:

- 1.) ALL DIMENSIONS IN INCHES
- 2.) TOLERANCE ON ALL DIMENSIONS ±0.001 UNLESS OTHERWISE SPECIFIED
- 3.) ALL MACHINING TO BE 63 MICROMINCH SURFACE FINISH UNLESS SPECIFIED

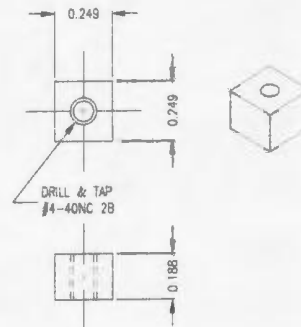
0	ISSUED FOR FABRICATION	TCH	10/30/01
A	ISSUED FOR APPROVAL	TCH	10/21/03

MEMORIAL UNIVERSITY OF NEWFOUNDLAND
ST. JOHN'S, N.L., CANADA

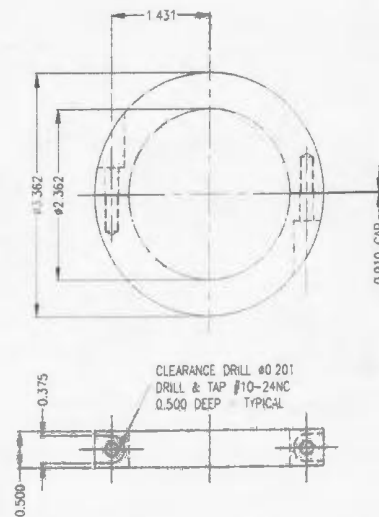
DRAWN BY: TCH, CHECKED BY: MCH
 TITLE: BEARING RETAINERS DRAWING
 SHEET: 2 OF 22
 PROJECT: C-SCOUT ASPI PROJECT
 DATE: 21 OCT 2003
 PART NO: CPP00007



PART 39



PART 40



PART 16

MATERIAL SPECIFICATIONS

Rev	P/N	PART	QTY	DESCRIPTION	GRADE	LCB	HEAT No
18		SHAFT COLL	1	BRD STA 3/2 DIA x 3/8 LG - WASH	303 / 304 SS		
20		LOCK COLL	1	BRD STA 2 1/4 DIA x 3/8 LG - WASH	303 / 304 SS		
40		LOCK KEY	1	SD STA 1/4 x 1/4 x 0.25 LG	303 / 304 SS		
41		SET SCREW	1	HEA KEY SET SCREW #10-24NC x 3/16 LG	316 SS		
42		CAP SCREW	1	SOCKET HEAD CAP SCREW #4-40NC 3/8 LG	316 SS		
43		CAP SCREW	2	SOCKET HEAD CAP SCREW #10-24NC x 3/4 LG	316 SS		

Notes:

- 1.) ALL DIMENSIONS IN INCHES
- 2.) TOLERANCE ON ALL DIMENSIONS ±0.001 UNLESS OTHERWISE SPECIFIED
- 3.) ALL MACHINING TO BE 63 MICROMACH SURFACE FINISH UNLESS SPECIFIED

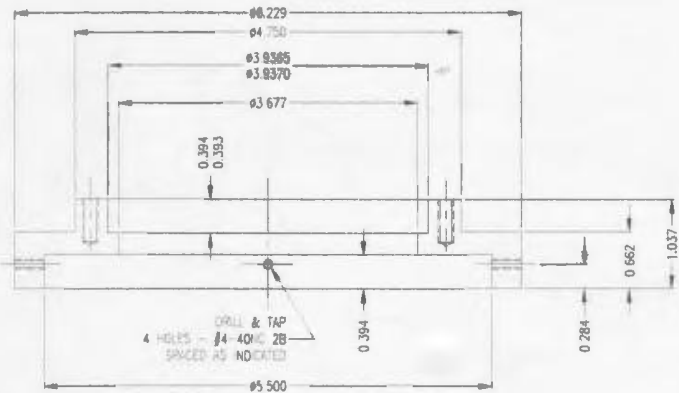
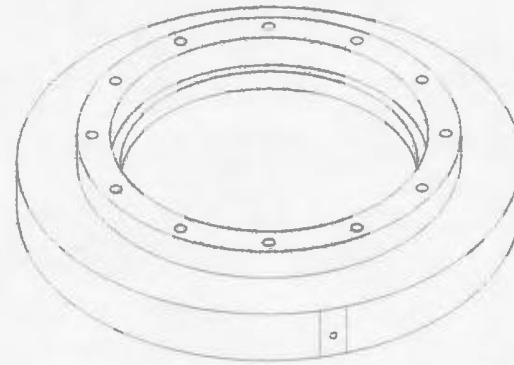
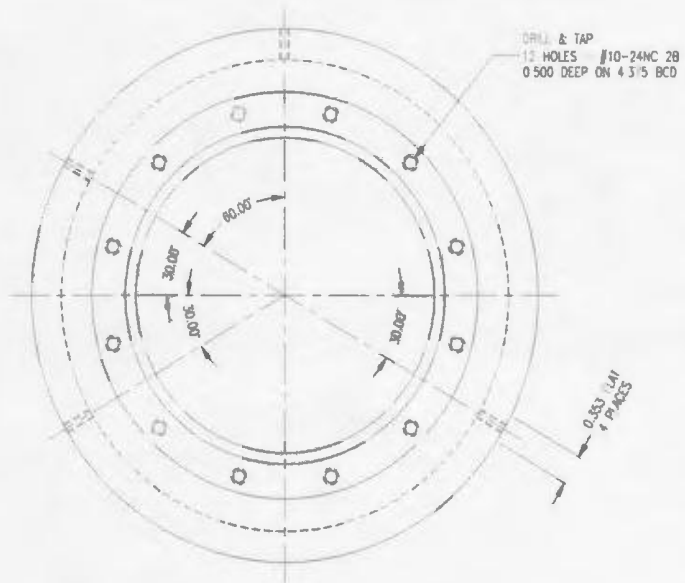
0	ISSUED FOR FABRICATION	TCH	01/30/03
A	ISSUED FOR APPROVAL	TCH	01/21/03

MEMORIAL UNIVERSITY OF NEWFOUNDLAND
 ST. JOHN'S, N.L. CANADA

DESIGNER	TCH	DRAWN	MECH	DATE	01/30/03
CHECKED		APPROVED			
SCALE	1:1	NO. REVISIONS	1	DATE	01/30/03
PROJECT					8 OF 22
C-SECT 4111 PROJECT					
CYCLIC PITCH PROPELLER					
DATE	31 OCT 2003	APP'D	CP000008	REV	0

MATERIAL SPECIFICATIONS

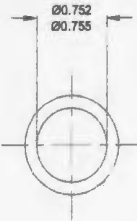
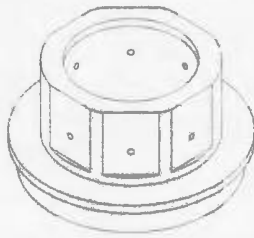
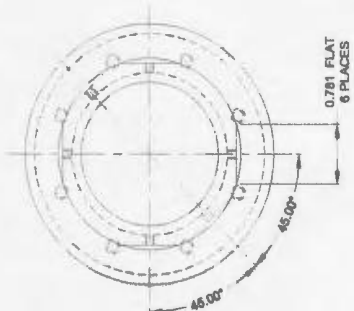
No.	Qty.	DESCRIPTION	GRADE	REMARKS
1	1	PLATE 1/4 THK X 6 1/2 DIA - 304	304	SEE 55



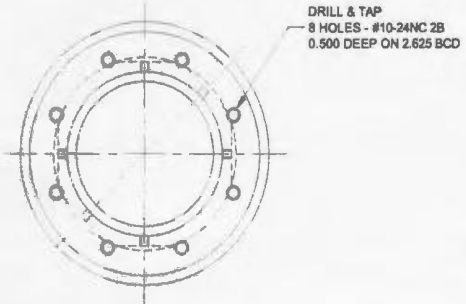
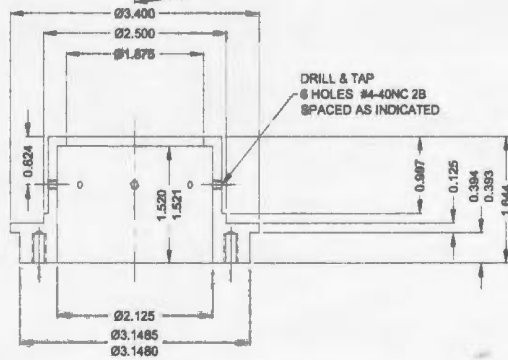
Notes:

- 1) ALL DIMENSIONS IN INCHES
- 2) TOLERANCE ON ALL DIMENSIONS ± 0.001 UNLESS OTHERWISE SPECIFIED
- 3) ALL MACHINING TO BE 63 MICRON CH SURFACE FINISH UNLESS SPECIFIED

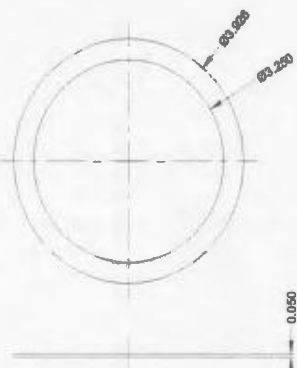
0	SCALE FOR FABRICATION	DATE	30 OCT 2023
1	SCALE FOR APPROVAL	DATE	30 OCT 2023
MEMORIAL UNIVERSITY OF NEWFOUNDLAND ST. JOHN'S, NL, CANADA			
DESIGNER	DATE	SCALE	1
CHECKED	DATE	SCALE	1
APPROVED	DATE	SCALE	1
FOR: C-SCOUT HULL PROJECT		DATE	30 OCT 2023
TITLE: PITCH PROPELLER		SCALE	PP00009 0



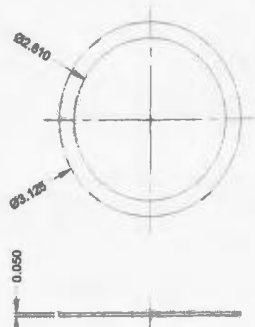
PART 47



PART 44



PART 97



PART 98

MATERIAL SPECIFICATIONS

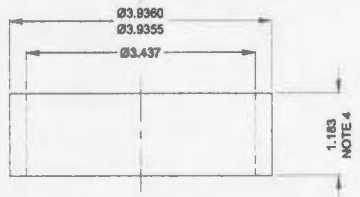
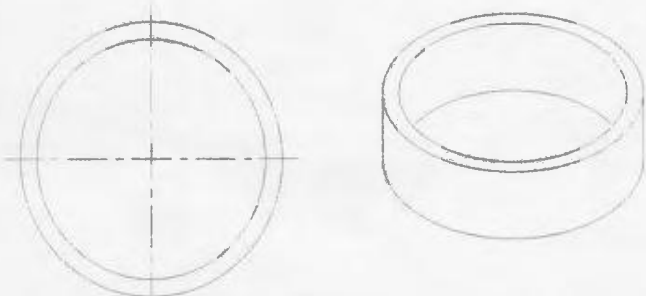
Ref No	Part	Qty	Description	Grade	Loc	Heat No
44	30 IN PLATE	1	304 STS 1/2 DIA x 1 LB. 8INCH	304/304 H1		
45	2IN BEARING	1	505 BEARING NO 21415-212	CS		
46	2IN BALL BEG	1	SPHERICAL ROD END BEARING - 20MM - 4056147	316PH SS		
47	AXIAL BRG	1	304 STS 1/2 DIA x 1 LB. 8INCH	304/304		
48	BEARING SPACER	1	304 STS 3/4 x 1 1/2 LB. 8INCH	304 H1		
49	BEARING SPACER	1	FROM PART 47			

1 ADDITION OF PART 47 AND PART 98 TCH 020704
 0 ISSUED FOR FABRICATION TCH 100063
 A ISSUED FOR APPROVAL TCH 100703

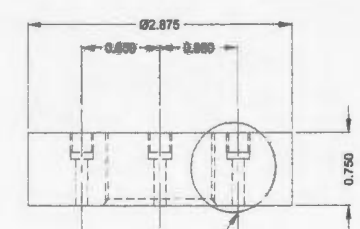
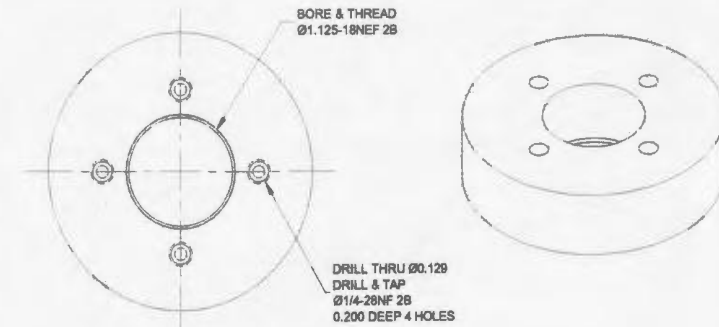
MEMORIAL UNIVERSITY OF NEWFOUNDLAND
 ST. JOHN'S, NL, CANADA

DESIGNER: TCH CHECKER: MECH
 ROTARY SWASH-PLATE AND
 SHAFT BUSHING

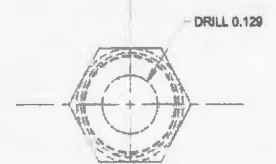
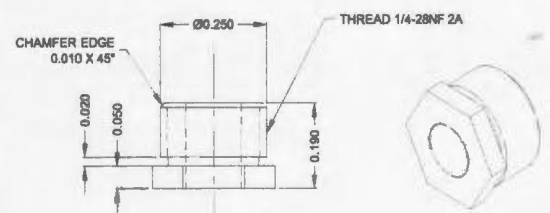
SCALE: NTS NO. PROJ: 1 SHEET: 10 OF 22
 PROJECT: C-SCOUT ALV PROJECT DATE: 30 OCT 2003 C/P: 00010 1



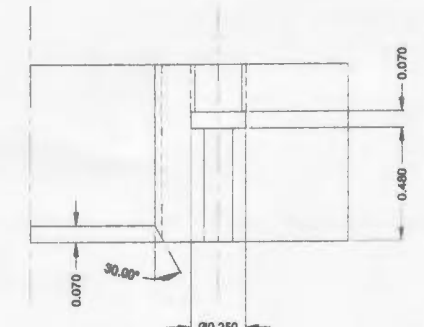
PART 48 - 1 REQ



SEE DETAIL 1
PART 50 - 1 REQ



PART 51 - 8 REQ



DETAIL 1

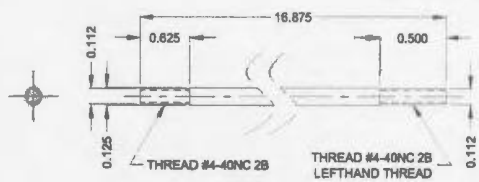
MATERIAL SPECIFICATIONS

Rev	Part	Qty	Description	Grade	U.S.	Heat No.
48	BRG SPACER	1	Ø1.125 x 1.183 x 1.183 INCH	303 / 304 SS		
49	MAIN BRG	3	Ø1.125 x 1.183 x 1.183 INCH	CS		
50	CTRL ROD BRG	1	Ø1.125 x 1.183 x 1.183 INCH	303 / 304 SS		
51	CTRL ROD SPL	8	Ø1.125 x 1.183 x 1.183 INCH	BRASS		
52	DRUM S	1	Ø1.125 x 1.183 x 1.183 INCH	VTCH		
53	DRUM R	1	Ø1.125 x 1.183 x 1.183 INCH	VTCH		

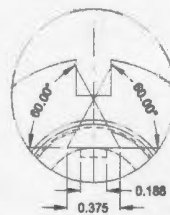
Notes:

- 1) ALL DIMENSIONS IN INCHES
- 2) TOLERANCE ON ALL DIMENSIONS ±0.001 UNLESS OTHERWISE SPECIFIED
- 3) ALL MACHINING TO BE 63 MICRORINCH SURFACE FINISH UNLESS SPECIFIED
- 4) PART 48 IS FINISHED 0.010 LONG. PART TO BE TRIMMED ON ASSEMBLY TO OBTAIN CORRECT SPACING

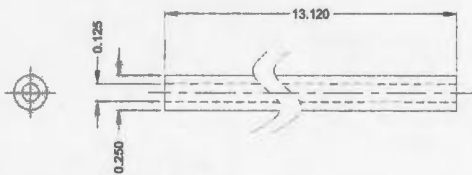
0	ISSUED FOR FABRICATION	TCH	10/20/03
A	ISSUED FOR APPROVAL	TCH	10/20/03
MEMORIAL UNIVERSITY OF NEWFOUNDLAND			
ST. JOHN'S, N.L. CANADA			
DESIGNED BY	TCH	CHECKED BY	MECH
MISC SHAFT ASSEMBLY PARTS			
DATE	NTS	SCALE	1:1
PROJECT	C-SCOUT ALV PROJECT	DATE	30 OCT 2003
SHEET	11 OF 22	REV	0
FILE	CPP00011		



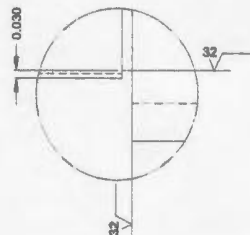
PART 55 - 4 REQ



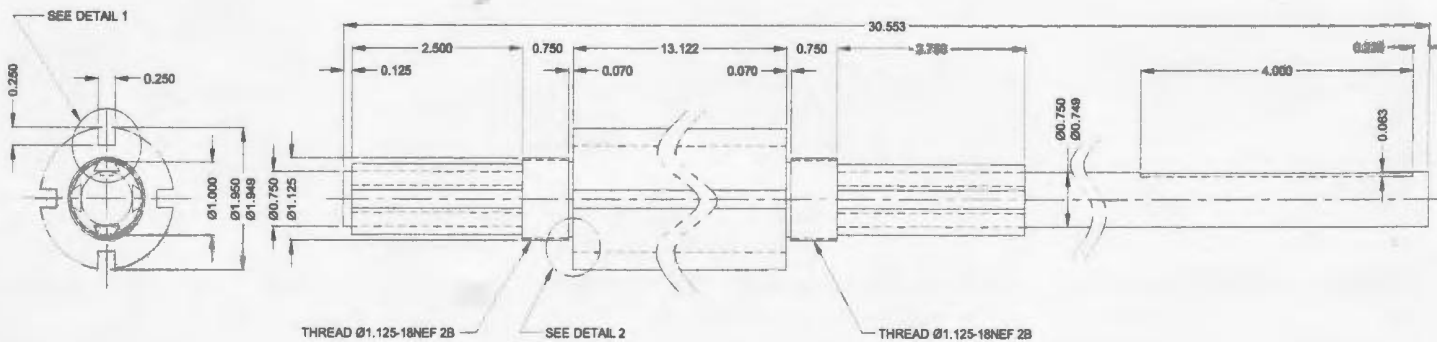
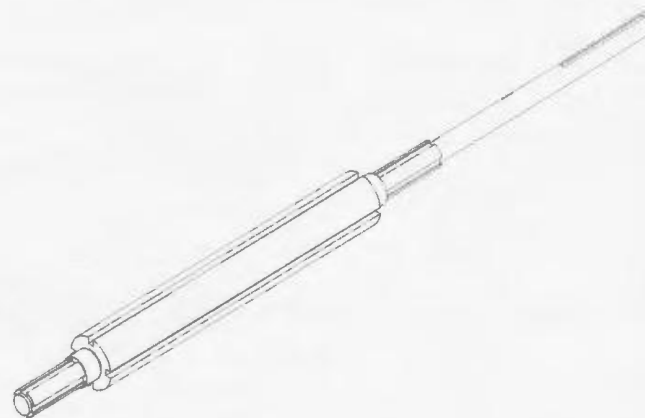
DETAIL 1



PART 56 - 4 REQ



DETAIL 2 - TYP
(BOTH ENDS)



PART 57 - 1 REQ

MATERIAL SPECIFICATIONS

Rev	Part	QTY	DESCRIPTION	GRADE	LIBS	HEAT No.
01	CONTR	4	DRAWING IS FOR 1/8" DIA. SHFT.	35		
02	CONTR	4	TUBING IN CD. 1/8" DIA. 1/2" L.	35		
03	INNER SHFT	1	PRO 270.204.1.21.0. SHFT	4148		

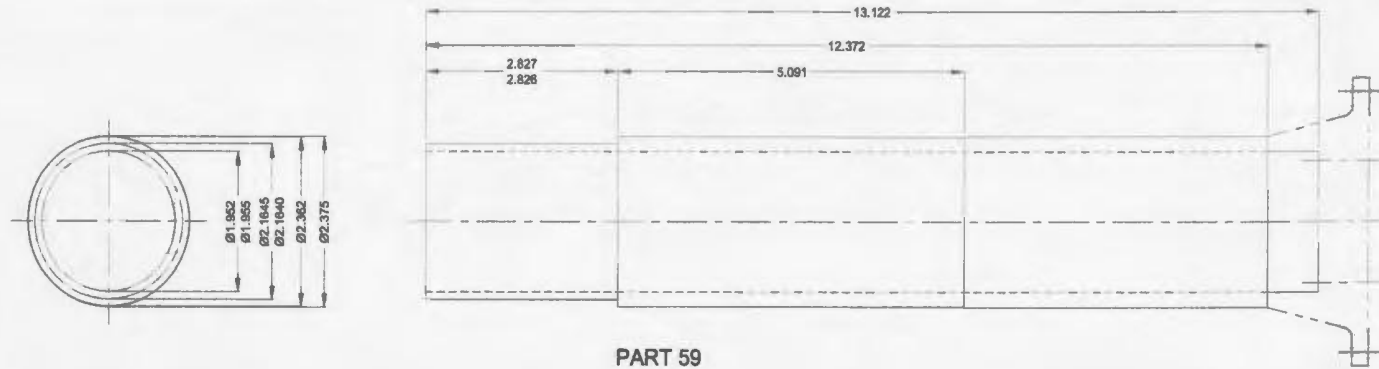
Notes:

- 1.) ALL DIMENSIONS IN INCHES
- 2.) TOLERANCE ON ALL DIMENSIONS ± 0.001 UNLESS OTHERWISE SPECIFIED
- 3.) ALL MACHINING TO BE 63 MICRONS SURFACE FINISH UNLESS SPECIFIED

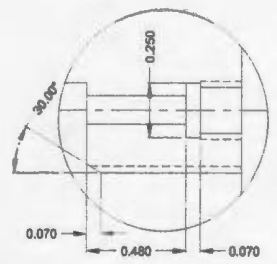
0	ISSUED FOR CONSTRUCTION	TCH	10/00/03
A	ISSUED FOR APPROVAL	TCH	10/00/03
MEMORIAL UNIVERSITY OF NEWFOUNDLAND			
ST. JOHN'S, N.L., CANADA			
DRW. BY	TCH	DESIGN	MECH
CHK'D			
APP'D			
SCALE	NTS	1/4" = 1"	NA
C-SCOUT AUV PROJECT		DATE	30 OCT 2003
CYCLIC PITCH PROPELLER		DRW. NO.	CPP00012
		SHEET	12 OF 22
		REV	0

MATERIAL SPECIFICATIONS

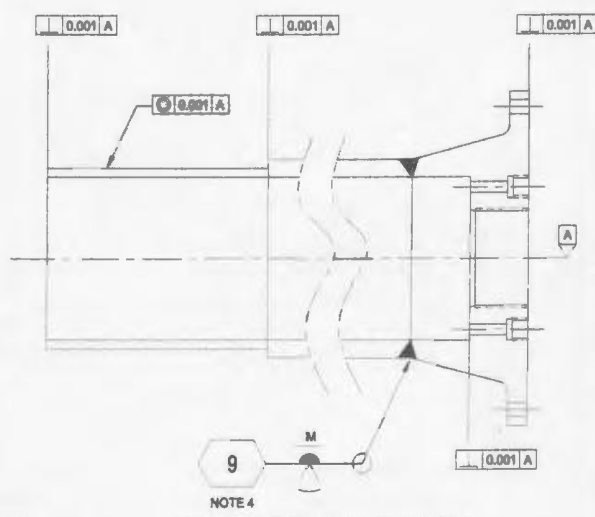
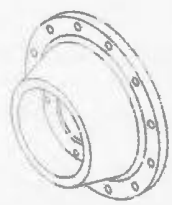
Rev	Part	QTY	DESCRIPTION	GRADE	UNIT	NOTE
1	OUTER PROPELLER SHAFT	1	TUBE 2.00 OD x 0.125 WALL x 12.125 LGS	316 SS	INCH	NOTE 1 & 6
1	CAP SCREW	7	SOCKET HEAD CAP SCREW 1/4" DIA x 1.0 LGS	316 SS	INCH	
1	PROPELLER PLUG	1	ROCKET 1/4" DIA x 1.125 LGS	316 SS	INCH	NOTE 1



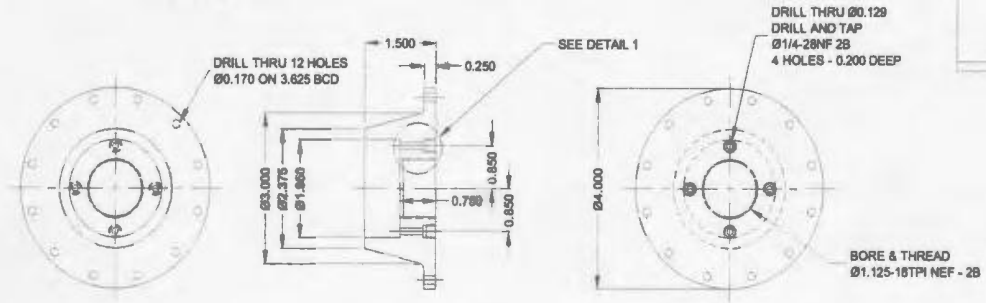
PART 59



DETAIL 1



WELD & ATTACHMENT DETAIL

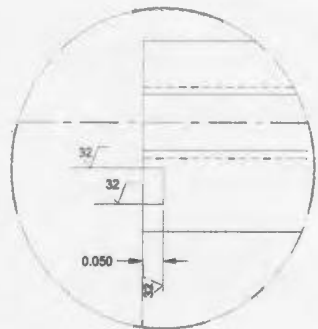


PART 54

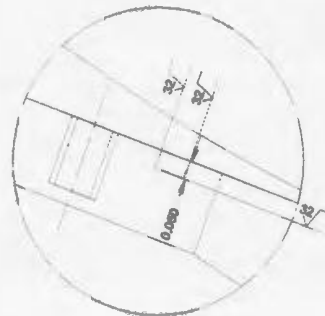
- Notes:**
- 1.) ALL DIMENSIONS IN INCHES
 - 2.) TOLERANCE ON ALL DIMENSIONS ±0.001 UNLESS OTHERWISE SPECIFIED
 - 3.) ALL MACHINING TO BE 63 MICRO INCH SURFACE FINISH UNLESS SPECIFIED
 - 4.) PURGE BACKSIDE OF WELD DURING WELDING
 - 5.) METAL FOR THESE PARTS MUST BE 304SS OR 316 SS
 - 6.) THIS MATERIAL MUST BE TUBING AND NOT PIPE TO TOLERANCE ON TUBING IS CONSIDERABLY HIGHER

0	ISSUED FOR FABRICATION	TCH	10/20/03
A	ISSUED FOR APPROVAL	TCH	10/20/03
MEMORIAL UNIVERSITY OF NEWFOUNDLAND ST. JOHN'S, NL, CANADA			
DESIGN	TCH	MECH	WEL
OUTER PROPELLER SHAFT AND DRIVE HUB ASSEMBLY			
SCALE	NTS	1	13 OF 22
C-SCOUT NAVY PROJECT CYCLIC PITCH PROPELLER			
			DATE: 30 OCT 2003
			CPP00013 0

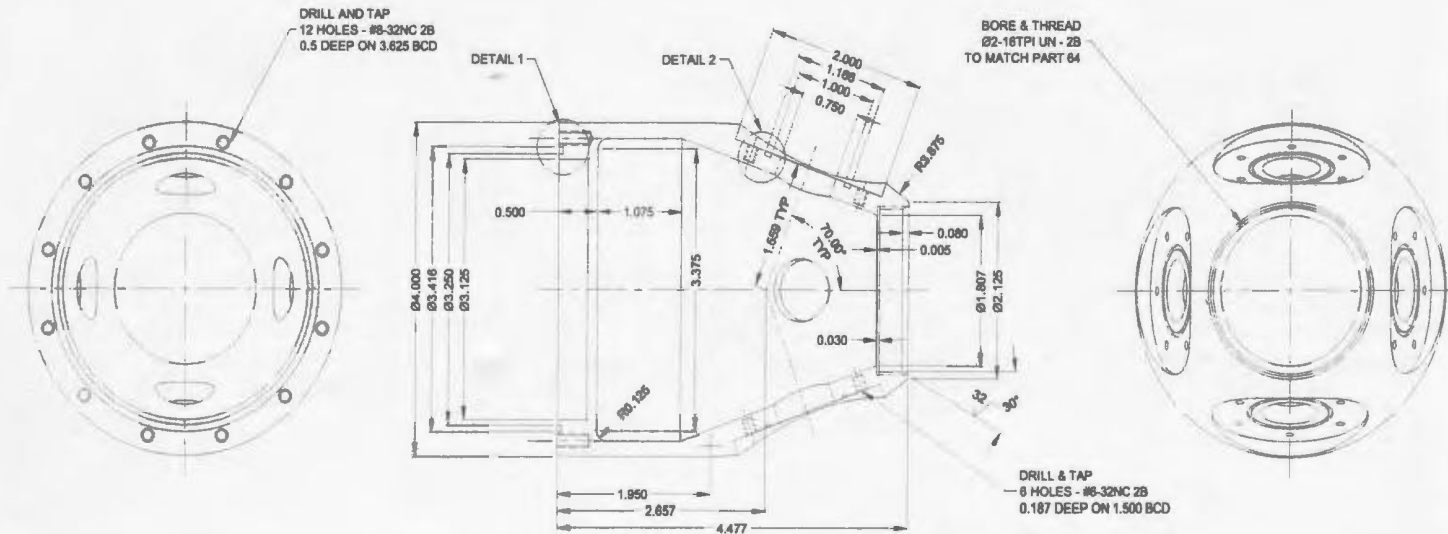
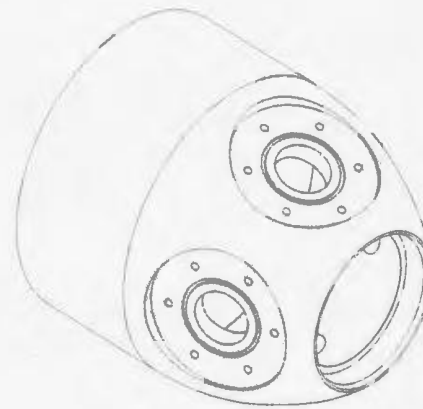
NO	REV	DATE	BY	CHKD	APP'D	DESCRIPTION
1	0					WELD & QCR SCHEDULE



DETAIL 1



DETAIL 2



MATERIAL SPECIFICATIONS

REV	QTY	PART	QTY	DESCRIPTION	GRADE	BSI	REF	REV
00		PROPELLER	1	PROPELLER 1/8" x 1/2" x 1/2" x 1/2"	202 204 02			
01		Ø-BORE	1	Ø-BORE 1/8" x 1/2" x 1/2" x 1/2"	202 204 02			
02		Ø-BORE	4	Ø-BORE 1/8" x 1/2" x 1/2" x 1/2"	202 204 02			
03		Ø-BORE	1	Ø-BORE 1/8" x 1/2" x 1/2" x 1/2"	202 204 02			

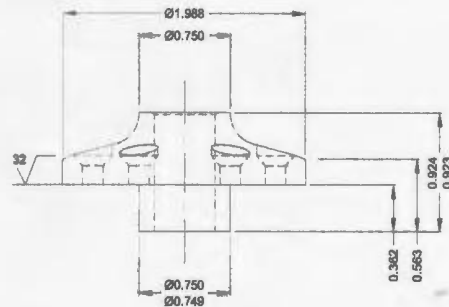
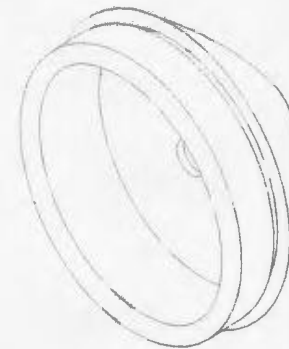
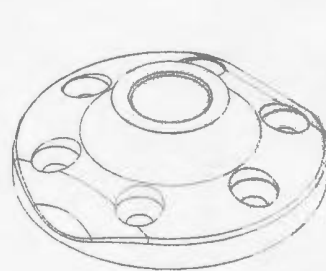
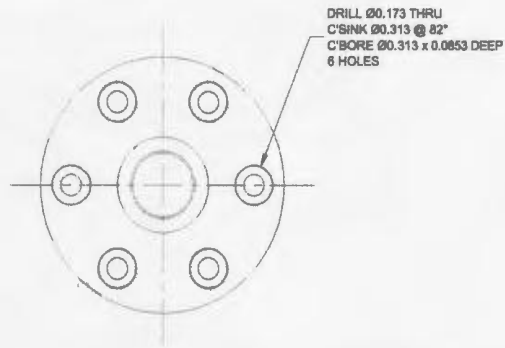
Notes:

- 1) ALL DIMENSIONS IN INCHES
- 2) TO EPANCE ON ALL DIMENSIONS ±0.001 UNLESS OTHERWISE SPECIFIED
- 3) ALL MACHINING TO BE 63 MICRONISH SURFACE FINISH UNLESS SPECIFIED

0 ISSUED FOR FABRICATION TCH 100000
 A ISSUED FOR APPROVAL TCH 100000
 UNIVERSITY OF NEWFOUNDLAND
 81 JOHN'S HILL CANADA
MEMORIAL UNIVERSITY OF NEWFOUNDLAND
 ST JOHN'S, N.L. CANADA
 DESIGNED BY: TCH
 DRAWN BY: MECH
 CHECKED BY:
 APPROVED BY:
 PROJECT: C-SCOUT ALV PROJECT
 TITLE: CYCLIC PITCH PROPELLER
 DATE: 30 OCT 2003
 SCALE: 1:1
 SHEET: 14 OF 22
 PART: CPP00014
 REV: 0

MATERIAL SPECIFICATIONS

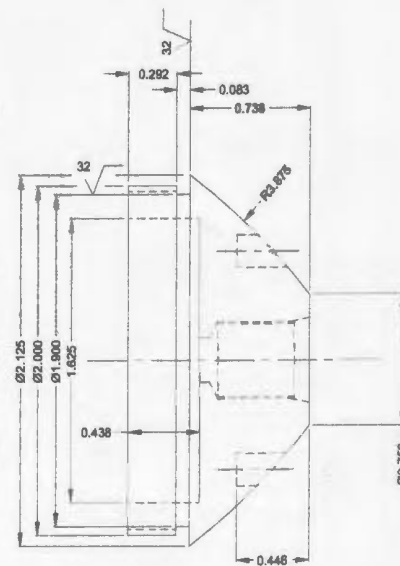
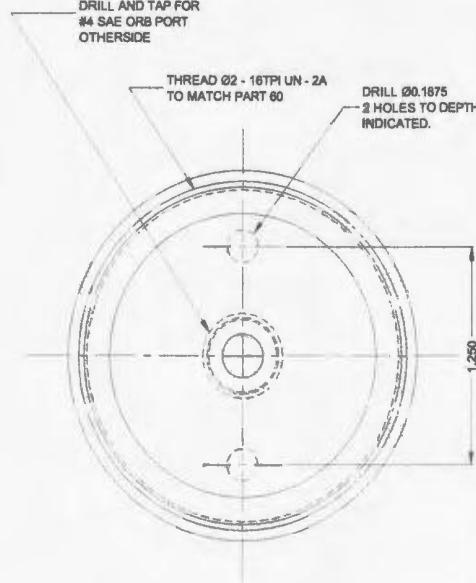
QTY	PART	QTY	DESCRIPTION	GRADE	.BC	HEAT	No
1	PROP END CAP	1	PROP STRG 1/4 DIA x 1 1/4 LG. BRNCH	303 304 SS			
4	BLADE BRG	4	PROP STRG 3/4 DIA x 1 1/4 LG. BRNCH PHOSPHOR BRNCH	C31100			
24	PLAT HD SCREW	24	HEX SCREW PLAT HEAD SCREWS #4-32 x 3/8 LG	316 SS			
1	PLUG	1	HEX HEAD ORB PLUG #4 SAE	SS			



DRILL Ø0.250 THRU
DRILL AND TAP FOR
#4 SAE ORB PORT
OTHERSIDE

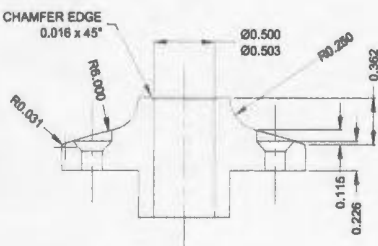
THREAD Ø2 - 16TPI UN - 2A
TO MATCH PART 60

DRILL Ø0.1875
2 HOLES TO DEPTH
INDICATED.



Notes:

- 1.) ALL DIMENSIONS IN NCHES
- 2.) TOLERANCE ON ALL DIMENSIONS ±0.001 UNLESS OTHERWISE SPECIFIED
- 3.) ALL MACHINING TO BE 63 MICRON SURFACE FINISH UNLESS SPECIFIED

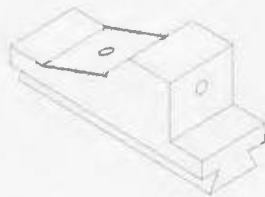
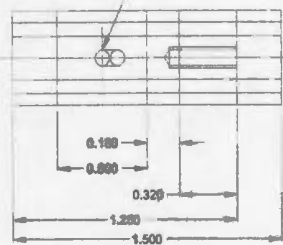


PART 65 - 4 REQ

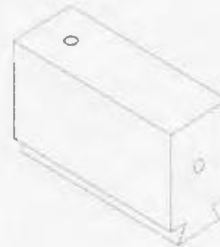
PART 64 - 1 REQ

0	ISSUED FOR FABRICATION	TCH	10/30/03
A	ISSUED FOR APPROVAL	TCH	10/10/03
MEMORIAL UNIVERSITY OF NEWFOUNDLAND			
<small>ST. JOHN'S, NL, CANADA</small>			
DRW. BY:	TCH	CHKD. BY:	MECH
DATE:		DATE:	
		PROP END CAP	
SCALE:	NTS	NO. REV:	N/A
C-SCOUT AUV PROJECT		DATE:	30 OCT 2003
CYCLIC PITCH PROPELLER		REV. NO.:	0
		ISSUE NO.:	15 OF 22
		PROJECT NO.:	CPP00015

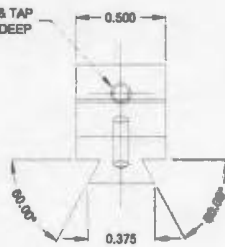
DRILL & TAP
#4-40NC 2B x 0.250 DEEP



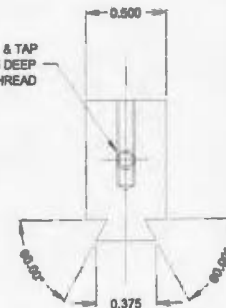
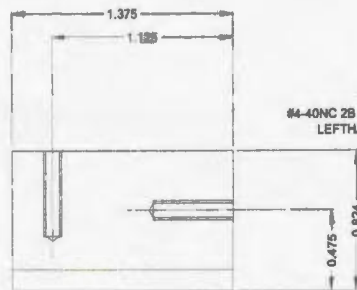
DRILL & TAP
#4-40NC 2B x 0.250 DEEP



DRILL & TAP
#4-40NC 2B x 0.375 DEEP



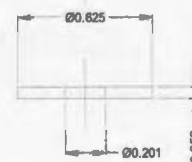
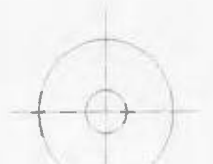
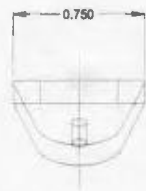
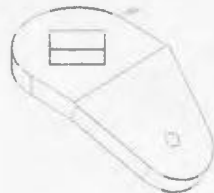
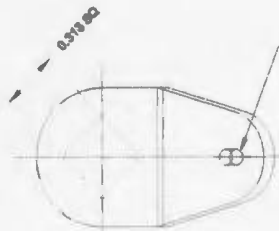
DRILL & TAP
#4-40NC 2B x 0.375 DEEP
LEFTHAND THREAD



PART 67

PART 68

DRILL & TAP
#4-40NC 2B



PART 69

PART 70

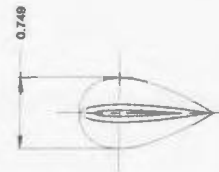
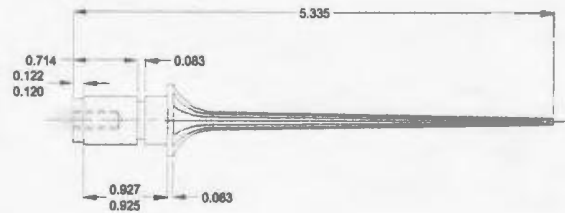
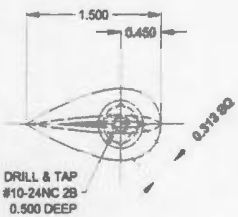
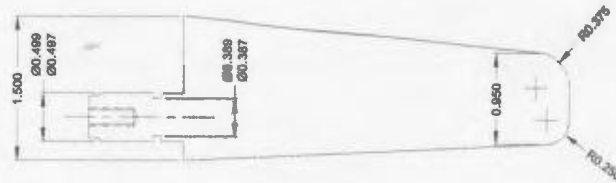
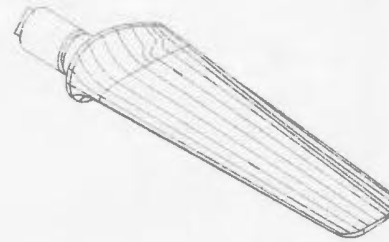
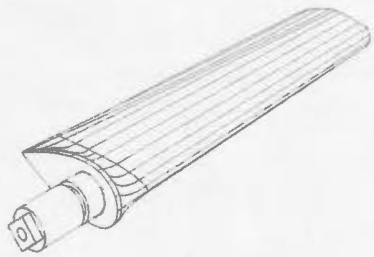
MATERIAL SPECIFICATIONS

Rev	Pho	REP	QTY	DESCRIPTION	GRADE	LOC	MENT	No.
07		PREP BLADE	4	PS 10 x 100 x 1 1/2 L0 1/4 INCH		303	204	01
08		R BLADE	4	PS 10 x 100 x 1 1/2 L0 1/4 INCH		303	204	02
09		LEVER ARM	4	PS 30 x 30 x 2 L0 1/4 INCH		303	204	03
10		BLADE PLY	4	8MG 870 30 004 1/4 INCH		303	204	04
11		CAP SCREW	4	SOCKET HEAD CAP SCREW 1/4 INCH 10-0		30408		

Notes:

- 1) ALL DIMENSIONS IN INCHES
- 2) TOLERANCE ON ALL DIMENSIONS ±0.001 UNLESS OTHERWISE SPECIFIED
- 3) ALL MACHINING TO BE 63 MICRONISH SURFACE FINISH UNLESS SPECIFIED

0	ISSUED FOR FABRICATION	TCH	1002003
A	ISSUED FOR APPROVAL	TCH	1002003
MEMORIAL UNIVERSITY OF NEWFOUNDLAND			
ST. JOHN'S, N.L., CANADA			
DRW BY	TCH	DESIGN	MECH
CHECKED			
MISC. CONTROL ROD PARTS AND SLIDERS			
SCALE	NYS	NO. REV	4
C-SCOUT A1M PROJECT			18 OF 22
CYCLIC PITCH PROPELLER			0
28 OCT 2003			CPPO00016



MATERIAL SPECIFICATIONS

REV	PNL	PART	QTY	DESCRIPTION	DATE	BY
01		BLADE	4	PS30 5.118x7.10x0.500		
02		BLADE FINISH	4	CAD IN PLACE USING EPOXY		

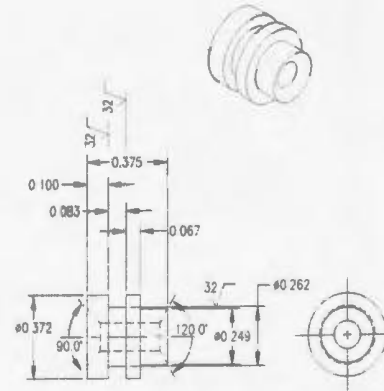
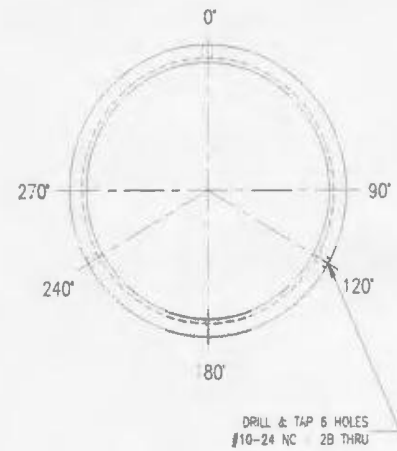
Notes:

- 1.) ALL DIMENSIONS IN INCHES
- 2.) TOLERANCE ON ALL DIMENSIONS ± 0.001 UNLESS OTHERWISE SPECIFIED
- 3.) ALL MACHINING TO BE 63 MICRON INCH SURFACE FINISH UNLESS SPECIFIED

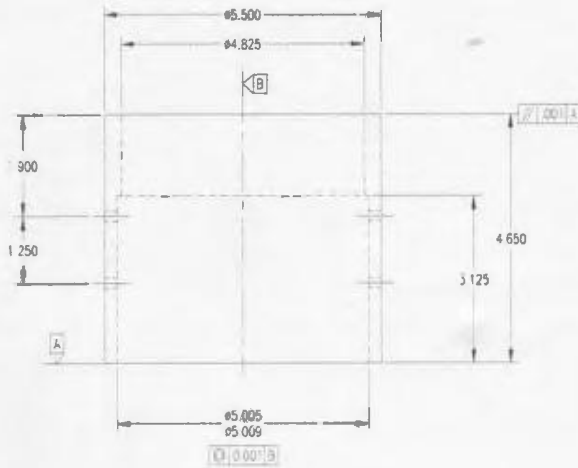
0	ISSUED FOR FABRICATION	TCH	1003080
A	ISSUED FOR APPROVAL	TCH	1003080
MEMORIAL UNIVERSITY OF NEWFOUNDLAND ST. JOHN'S, NL, CANADA			
TYPE:	TCH	SCALE:	MECH
DATE:		PROPELLER BLADE	
APP'D:			
SCALE:	NTS	NO. PAGES:	4
FOR:	C-SCOUT AUV PROJECT	DATE:	28 OCT 2003
	CYCLIC PITCH PROPELLER	REV. NO.:	CPP00017
			17 OF 22

MATERIAL SPECIFICATIONS

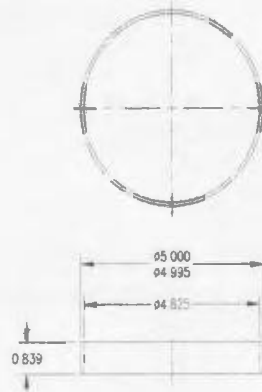
REV	PHYS	PART	QTY	DESCRIPTION	GRADE	BY	DATE
74	MOTOR HOUSING	74	1	IND STA 8 DIA + 0.172 US - 48H	300		
75	MOTOR SHAFT	75	1	IND STA 8 DIA + 0.172 US - 48H	300		
76	MOTOR SLIDE	8	THRU-HOLE IND STA 1/4 DIA - 20 IN + 1.172 US	316 SS			
86	MOTOR NUTS	8	ANTI-LOCK HEX NUTS 1/4-20 NC	316 US-TYPE			
90	CHEEK PLUG	4	IND STA 1/2 DIA + 1.172 US - 48H	304 SS			
99	SET SCREW	4	SOCKET HEAD SET SCREW 8/16-24 NC + 3/8"	35			



PART 90



PART 74



PART 75

Notes:

- 1) ALL DIMENSIONS IN INCHES
- 2) TOLERANCE ON ALL DIMENSIONS ±0.001 UNLESS OTHERWISE SPECIFIED
- 3) ALL MACHINING TO BE 63 MICRORINCH SURFACE FINISH UNLESS SPECIFIED

0 ISSUED FOR CONSTRUCTION 10/02/04

MEMORIAL UNIVERSITY OF NEWFOUNDLAND
ST. JOHN'S, NL, CANADA

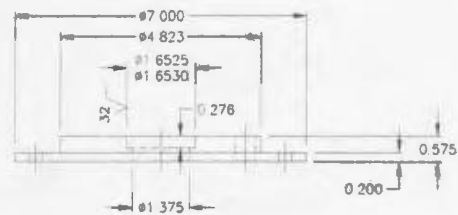
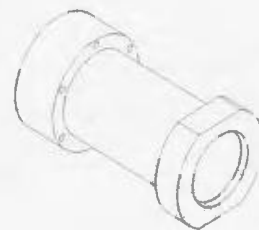
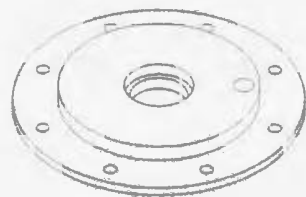
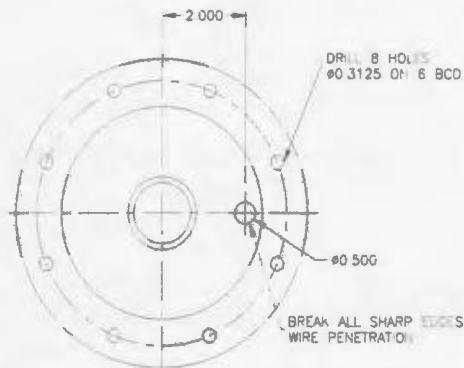
DESIGNER: [] CHECKER: []

MATERIAL: MOTOR HOUSING AND SHAFT 48H

DATE: 10/02/04

PROJECT: C-SCOUT NAV PROJECT

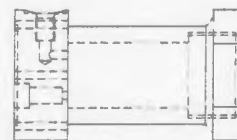
APP: 01/18/04 CPP000 8 0



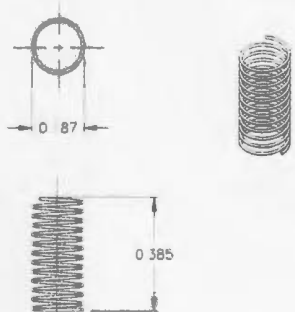
PART 76



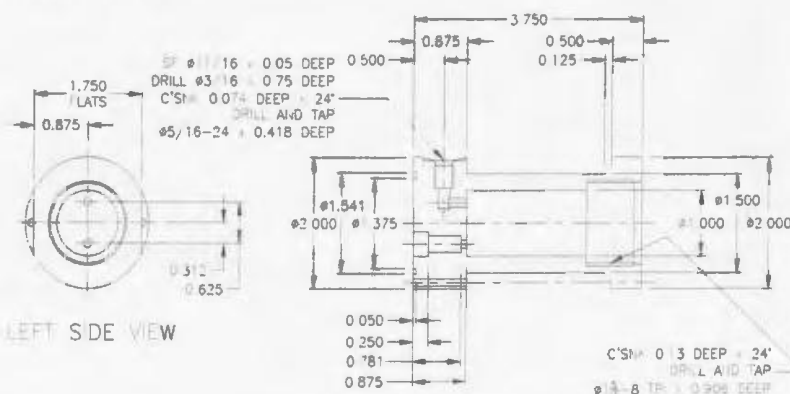
RIGHT SIDE VIEW



FRONT VIEW



PART 88



LEFT SIDE VIEW

PART 82 SECTION A-A

MATERIAL SPECIFICATIONS

Rev	Part	QTY	DESCRIPTION	GRADE	UNIT	REMARKS
76	END PLATE	1	END STA 7.50 x 1.00 - 1000	6061-T6		
82	DISK/END PLATE	1	END STA 1.75 x 1.75 x 4.172 - 1000	6061-T6		
83	PLUG	1	5/16 O.D. PLUG BRASS/100-10-1000	52		
84	TUBE COIL	1	5/16 O.D. 1/8" TUBE BRASS/100-10-1000	52		
85	TUBE PLUG	1	1/8" TUBE PLUG BRASS/100-10-1000	52		
86	O-RING	1	O-RING 1.6 x 0.25 x 3/8 O.D. (1.00)	100A		
87	O-RING	1	O-RING 1.18 x 0.25 x 1/4 O.D. (0.50)	100A		
88	SPRING	1	SPRING 0.01 WIRE x 3/8 O.D. x 3/16 COIL x 8 TURNS	55		
89	WEEK BALL	1	WEEK BEARING 3/8 W	52 / 1000		
91	CAP SCREWS	0	SOCKET HEAD CAP SCREWS #4-40 x 1.00 - 1000	316 SS		

Notes:

- 1) ALL DIMENSIONS IN INCHES
- 2) TOLERANCE ON ALL DIMENSIONS ±0.00 UNLESS OTHERWISE SPECIFIED
- 3) ALL MACHINING TO BE 63 MICRONISH SURFACE FINISH UNLESS SPECIFIED
- 4) PART 82 TO BE HARD ANODIZED AFTER FABRICATION IS COMPLETE.

DESIGNED FOR FABRICATION

MEMORIAL UNIVERSITY OF NEWFOUNDLAND
ST. JOHN'S, NL, CANADA

DATE: 02/08/94

BY: [Signature]

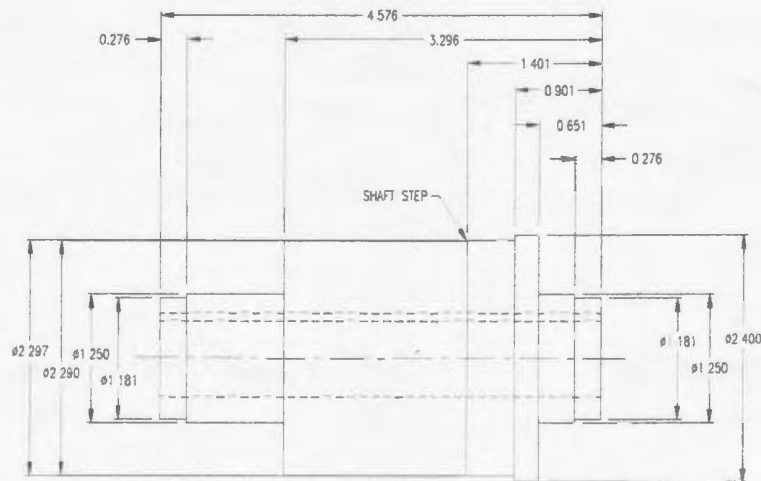
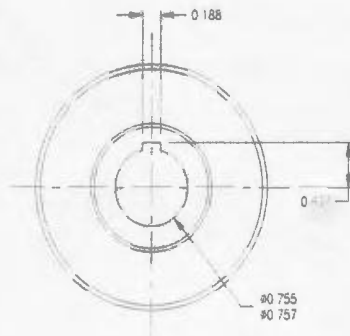
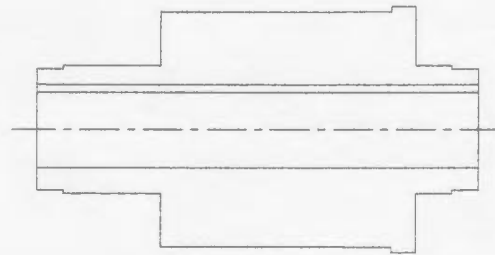
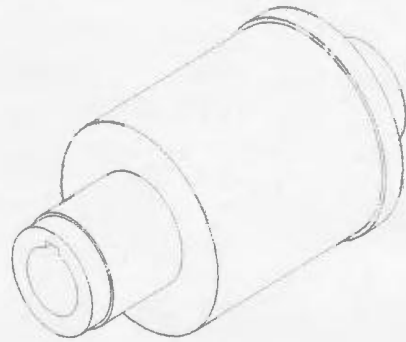
APP: [Signature]

SCALE: 1:1

PROJ: [Signature]

DATE: 08/19/2004

PROJ: PR000



PART 78

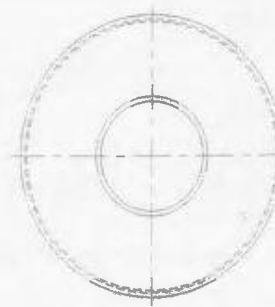
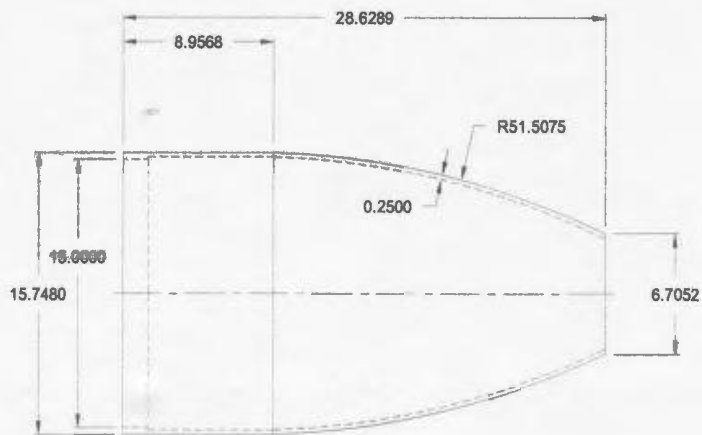
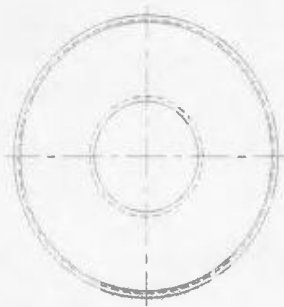
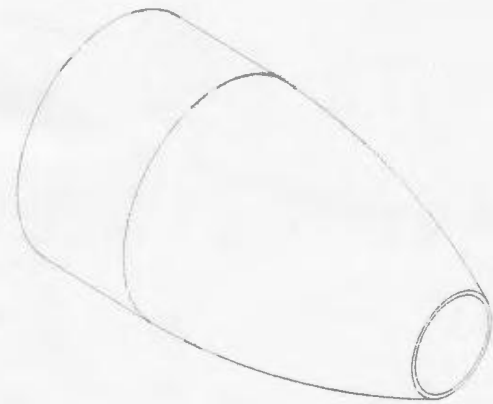
MATERIAL SPECIFICATIONS

Rev	PNo	PART	QTY	DESCRIPTION	GRADE	BSI/EAT No.
0		78	OUTER SHFT	316 SS 1/2 DIA x 3 LF - NICK	316 SS	
0		78	KEY	KEY STOCK 1/8 x 1/8 x 1.10	116 SS	

Notes:

- 1) ALL DIMENSIONS IN INCHES
- 2) TOLERANCE ON ALL DIMENSIONS ± 0.001 UNLESS OTHERWISE SPECIFIED
- 3) ALL MACHINING TO BE 63 MICRORINCH SURFACE FINISH UNLESS SPECIFIED.

0		SCOUT POP FABRICATION		DATE: 02/08/04	
MEMORIAL UNIVERSITY OF NEWFOUNDLAND					
ST. JOHN'S, N.L. CANADA					
DESIGN BY:	TCM	DESIGNED BY:	MECH	TITLE: MAIN MOTOR OUTER SHFT	
DATE:		SCALE:	1:1	REV:	20
PROJECT: C-SCOUT HULL PROJECT					
DATE: 08/18/2004					
CAPP00020 0					



MATERIAL SPECIFICATIONS

REV	DATE	PART	QTY	DESCRIPTION	APPROV	DATE
1		FARRING	1	FABRICATED TO MATCH	UP	0

Notes:

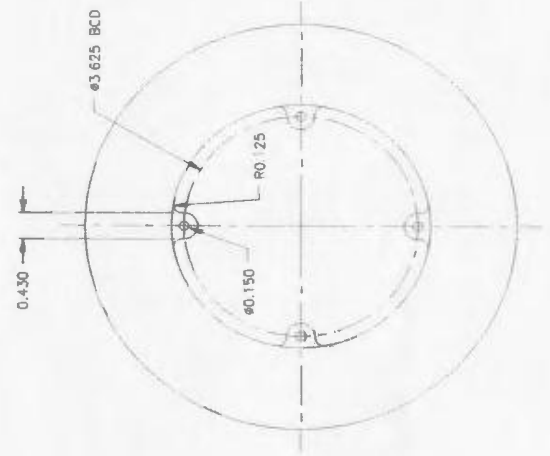
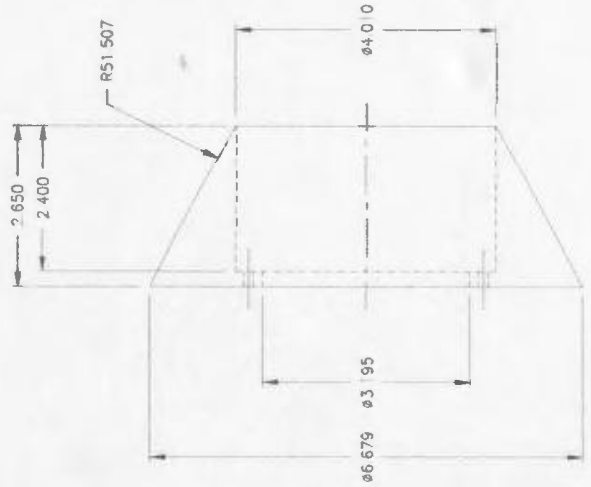
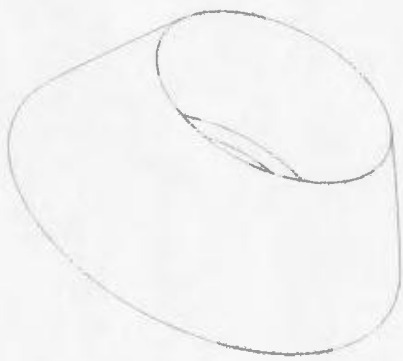
- 1.) ALL DIMENSIONS IN INCHES
- 2.) TOLERANCE ON ALL DIMENSIONS ± 0.001 UNLESS OTHERWISE SPECIFIED
- 3.) ALL MACHINING TO BE 63 MICROINCH SURFACE FINISH UNLESS SPECIFIED
- 4.) PART 82 TO BE HARD ANODIZED AFTER FABRICATION IS COMPLETE

0	ISSUED FOR FABRICATION	TCH	02/08/04
MEMORIAL UNIVERSITY OF NEWFOUNDLAND			
ST. JOHN'S, N.L. CANADA			
DRN	TCH	11/11/04	MECH
PROPELLER HULL FARRING			
TRAC	MTS	102	REV 1
C-300T AUV PROJECT			
CYCLIC PITCH PROPELLER			
			21 OF 22
			0

08 FEB 2004 CPP00021

MATERIAL SPECIFICATIONS

DATE	BY	REVISED	REASON	SCALE



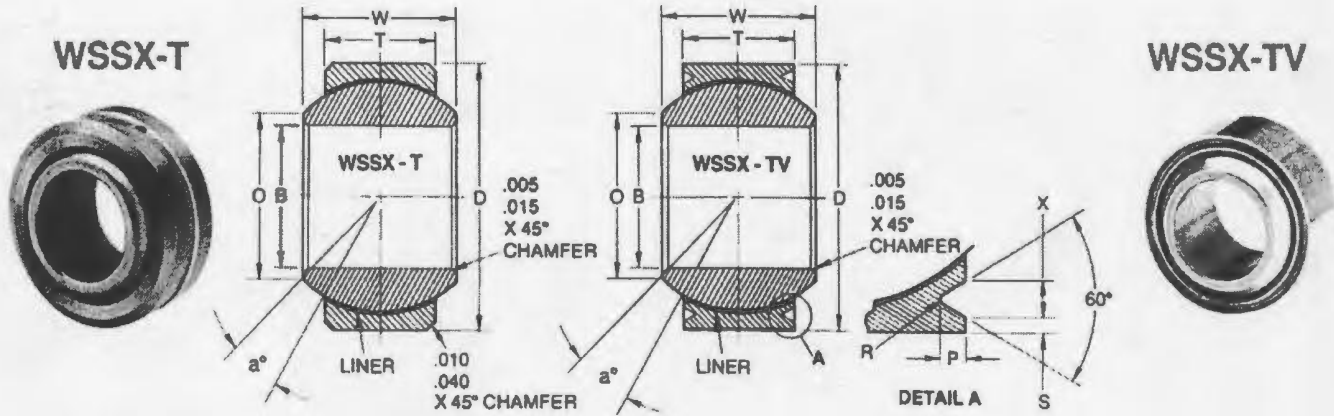
1. 5503 102 10/21/2018 3:03:37 PM
 2. 10/21/2018 3:03:37 PM
 3. 10/21/2018 3:03:37 PM
 4. 10/21/2018 3:03:37 PM
 5. 10/21/2018 3:03:37 PM
 6. 10/21/2018 3:03:37 PM
 7. 10/21/2018 3:03:37 PM
 8. 10/21/2018 3:03:37 PM
 9. 10/21/2018 3:03:37 PM
 10. 10/21/2018 3:03:37 PM

MEMORIAL UNIVERSITY OF NEWFOUNDLAND
 ST. JOHN'S, CANADA
 DEPARTMENT OF MECHANICAL ENGINEERING
 ST. JOHN'S, NL A1B 4X6

DRAWN BY: [Name]
 CHECKED BY: [Name]
 DATE: 10/21/2018
 TIME: 3:03:37 PM
 PROJECT: [Name]
 SHEET NO.: 0
 TOTAL SHEETS: 0

Appendix B – Fixed Size Component Data Sheets

**WSSX-T/WSSX-TV
WIDE SERIES**



PART NUMBER		BORE SIZE	B DIA. +.0000 -.0005	D DIA. +.0000 -.0005	W WIDTH +.000 -.002	T WIDTH +/- .005	O SHOULDER DIAMETER REF.	BALL DIA. REF.	a° REF.	LOAD RATINGS (LBS.)			APPROX. WEIGHT LBS.
										STATIC LIMIT		DYNAMIC OSCILLATING RADIAL LOAD	
										RADIAL LBS	AXIAL LBS.		
WSSX3T	WSSX3TV	3/16	0.1900	0.6250	0.437	0.327	0.301	0.531	15	9,000	1,770	3,770	0.031
WSSX4T	WSSX4TV	1/4	0.2500	0.6250	0.437	0.327	0.301	0.531	15	9,000	1,770	3,770	0.031
WSSX5T	WSSX5TV	5/16	0.3125	0.6875	0.437	0.317	0.401	0.593	14	9,400	1,640	4,650	0.035
WSSX6T	WSSX6TV	3/8	0.3750	0.8125	0.500	0.406	0.466	0.687	8	13,700	2,630	6,390	0.060
WSSX7T	WSSX7TV	7/16	0.4375	0.9375	0.562	0.442	0.537	0.781	10	20,700	3,650	9,390	0.800
WSSX8T	WSSX8TV	1/2	0.5000	1.0000	0.625	0.505	0.607	0.875	9	27,500	4,970	12,150	0.100
WSSX9T	WSSX9TV	9/16	0.5625	1.1250	0.687	0.536	0.721	1.000	10	34,400	5,370	14,900	0.135
WSSX10T	WSSX10TV	5/8	0.6250	1.1875	0.750	0.567	0.747	1.062	12	39,000	6,130	16,700	0.160
WSSX12T	WSSX12TV	3/4	0.7500	1.3750	0.875	0.630	0.887	1.250	13	52,300	7,730	22,100	0.240
WSSX14T	WSSX14TV	7/8	0.8750	1.6250	0.875	0.755	1.061	1.375	6	67,300	10,800	28,200	0.350
WSSX16T	WSSX16TV	1	1.0000	2.1250	1.375	1.005	1.269	1.875	12	137,000	19,300	53,700	0.970



NE SEAL INDUSTRIAL PRODUCTS LTD.
TYPE NES-12 (DIN / Metric)
 Equivalent to Vulcan Type 12

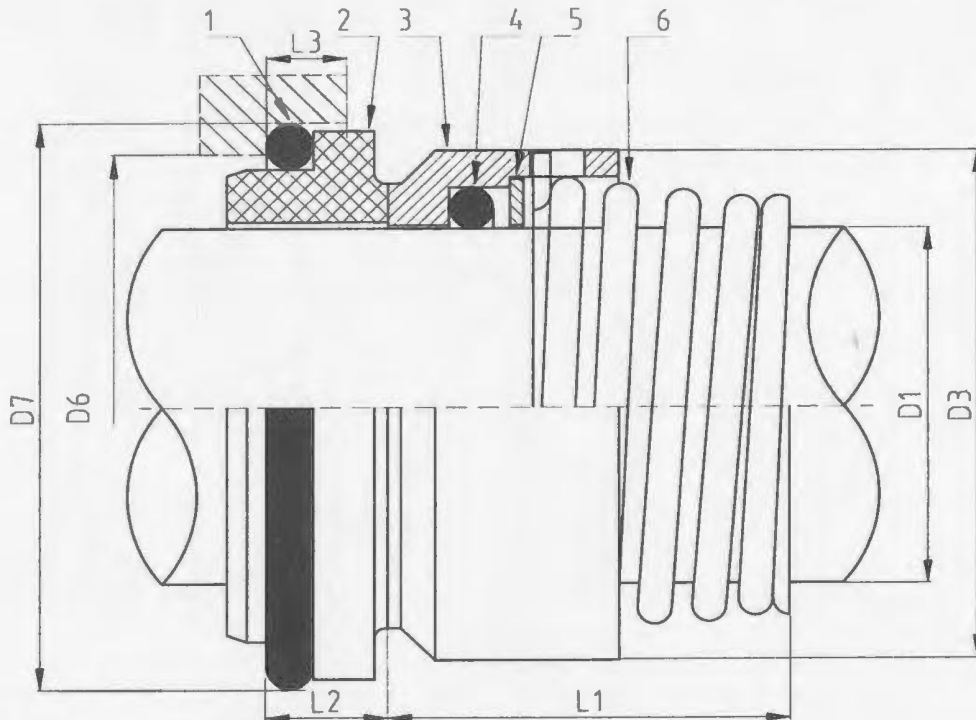
Operating Limits *		D1	D3	D6	D7	L1	L2	L3
● P	10kg/cm ²	10	19.0	17	21	15	7	4
● T	-40°C~200°C	12	21.0	19	23	18	7	4
● V	20m/s	14	23.0	21	25	22	7	4
Part Name and Materials		16	26.0	23	27	23	7	4
1. O-Ring:	NBR	18	29.0	27	33	24	10	5
2. Seat:	Carbon	20	31.0	29	35	25	10	5
3. Seal Face:	SS304	22	33.0	31	37	25	10	5
4. O-Ring:	NBR	24	35.0	33	39	27	10	5
5. Drive Ring:	SS304	25	36.0	34	40	27	10	5
6. Spring:	SS304	28	40.0	37	43	29	10	5
		30	43.0	39	45	30	10	5
		32	46.0	42	48	30	10	5
		33	46.0	42	48	39	10	5
		35	49.0	44	50	39	10	5
		38	53.0	49	56	42	13	6
		40	56.0	51	58	42	13	6
		43	59.0	54	61	47	13	6
		45	61.0	56	63	47	13	6
		48	64.0	59	66	47	13	6
		50	66.0	62	70	56	14	6
		53	69.0	65	73	56	14	6
		55	71.0	67	75	56	14	6
		58	76.0	70	78	56	14	6
		60	78.0	72	80	56	14	6
		63	81.0	75	83	56	14	6
		65	84.0	77	85	66	14	6
		68	88.0	81	90	64	16	7
		70	89.6	83	92	64	16	7
		75	98.0	88	97	64	16	7
		80	100.0	95	105	72	18	7
		85	107.5	100	110	72	18	7
		90	111.0	105	115	72	18	7
		95	119.0	110	120	72	18	7
		100	123.8	115	125	72	18	7

Materials Option

Metal Part: SS316
 O-Ring: Viton.
 Seat: Ceramic, SiC, TC.
 Seal Face: Carbon, SiC, TC.

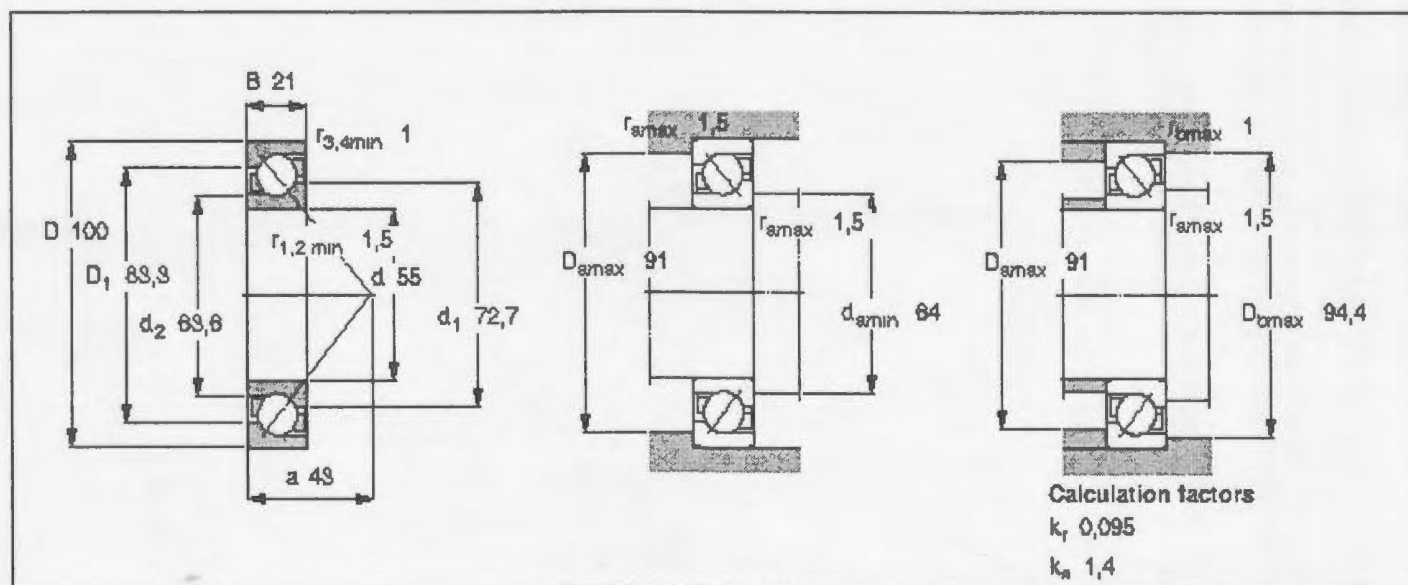
Notes:

* Dependent on direction of rotation



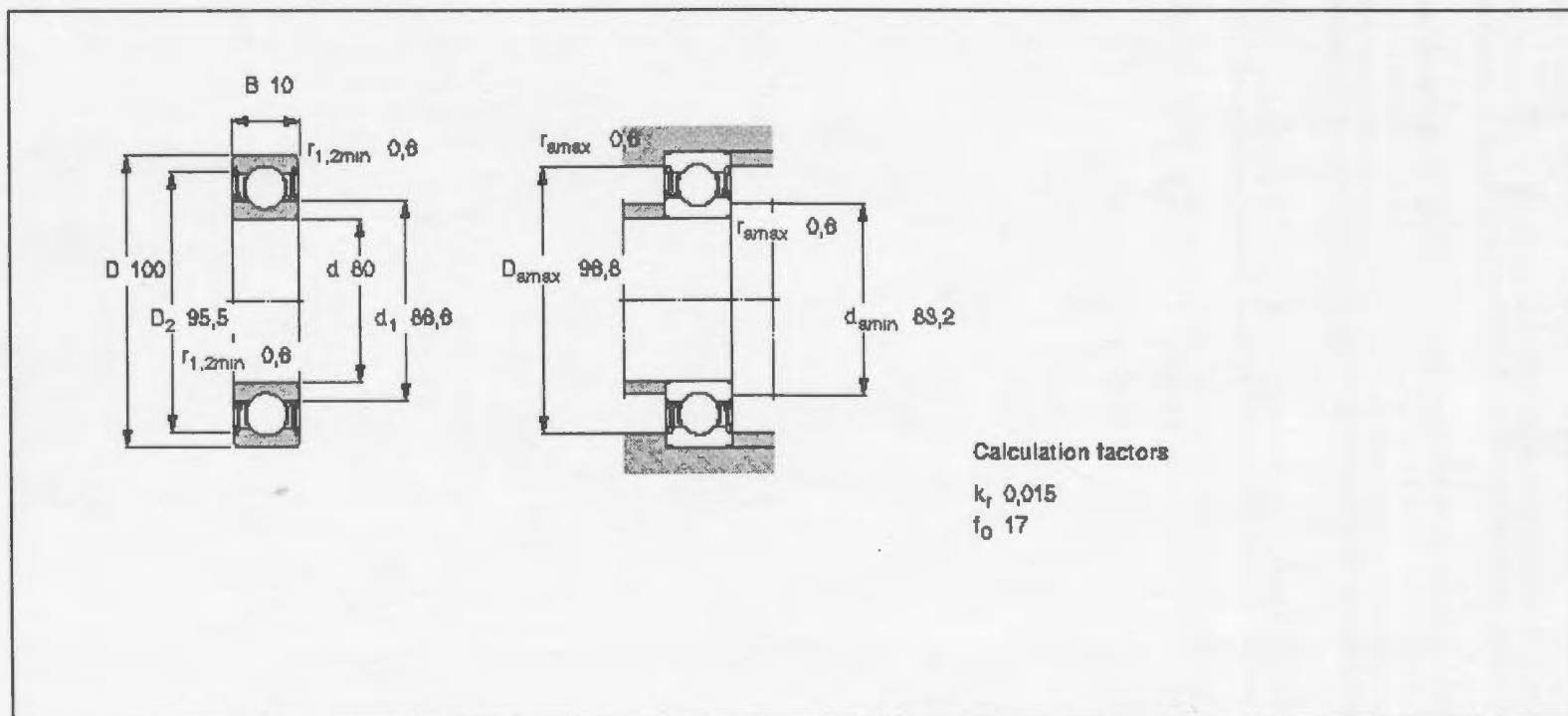
Angular contact ball bearings, single row

Principal dimensions			Basic load ratings		Fatigue load limit Pu	Speed ratings		Mass	Designation
d	D	B	dynamic	static		Reference speed	Limiting speed		
mm			kN	C0	kN	r/min		kg	* - SKF Explorer bearing
55	100	21	46,2	36	1,53	7500	7500	0,62	7211 BEP



Deep groove ball bearings, single row

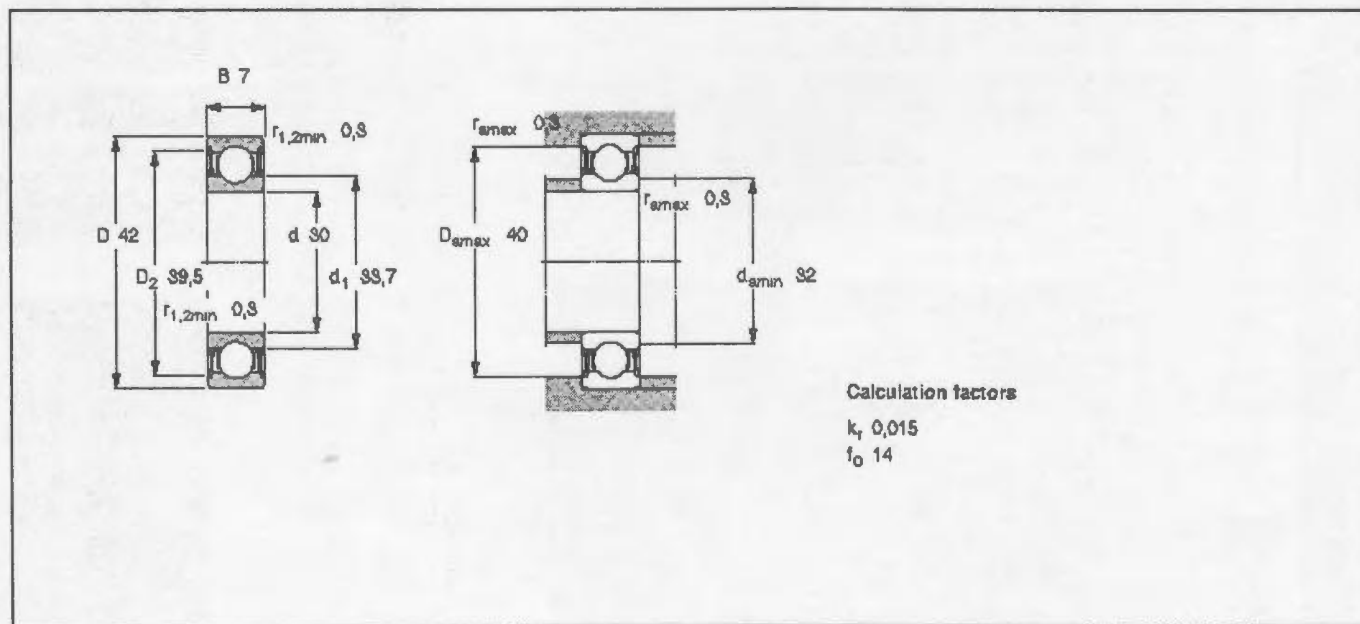
Principal dimensions			Basic load ratings		Fatigue load limit Pu	Speed ratings		Mass	Designation
d	D	B	dynamic	static		Reference speed	Limiting speed		
mm			kN		kN	r/min		kg	* - SKF Explorer bearing
80	100	10	13	15	0,64	13000	6300	0,15	61816-2RZ



Deep groove ball bearings, single row

Principal dimensions			Basic load ratings		Fatigue load limit Pu	Speed ratings		Mass	Designation
d	D	B	dynamic	static		Reference speed	Limiting speed		
mm			kN		kN	r/min		kg	-
30	42	7	4,49	2,9	0,146	32000	16000	0,027	61806-2RZ

* - SKF Explorer bearing



part number: **D-B.125-HT17-2-P-RBC3S/RBC3S**

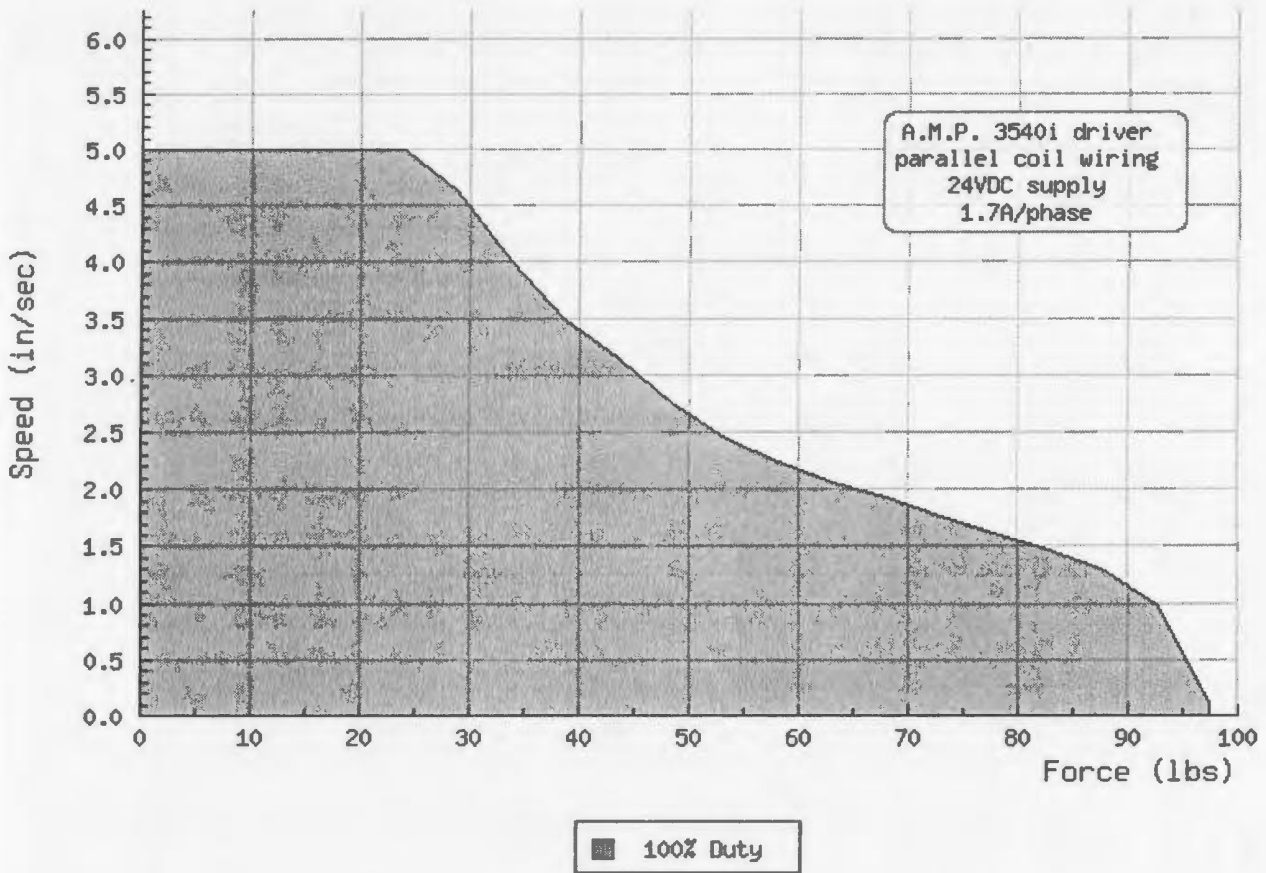
max force: 97 lbs

max speed: 5.0 in/sec

backlash: 0.002 in

linear step resolution: 1600 steps/in

actuator speed/force graph: **D - B.125 - HT17**



lead screw: **B.125** - Ball bearing nut, 0.1250 in/rev lead screw

pitch: 0.125 in/rev

efficiency: 98 %

dynamic load: 5000 lb*in/sec (100% duty cycle)

motor: **HT17** - High-torque NEMA 17 size stepper motor

coil impedance: 3.3 ohms

coil inductance: 3 mH

coil voltage: 4 volts
coil current: 1.2 amps
step angle: 1.8 degrees
drawing: [PDF](#) [DXF](#)

stroke length: **2** inches

potentiometer: **P** - Precision linear potentiometer

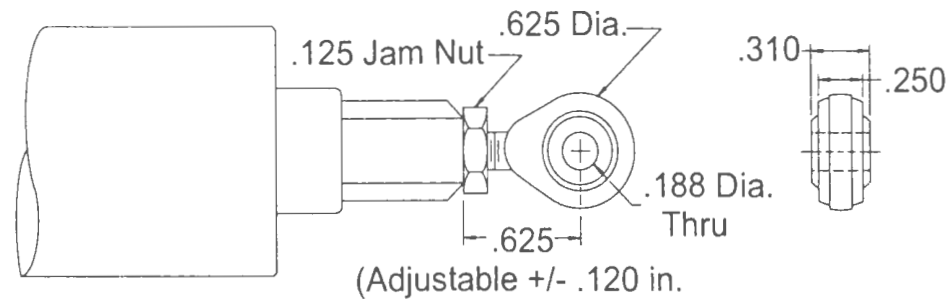
total resistance: 3 K ohms
linearity: 2 %

base mount: **RBC3S** - Small stainless steel base rod bearing clevis

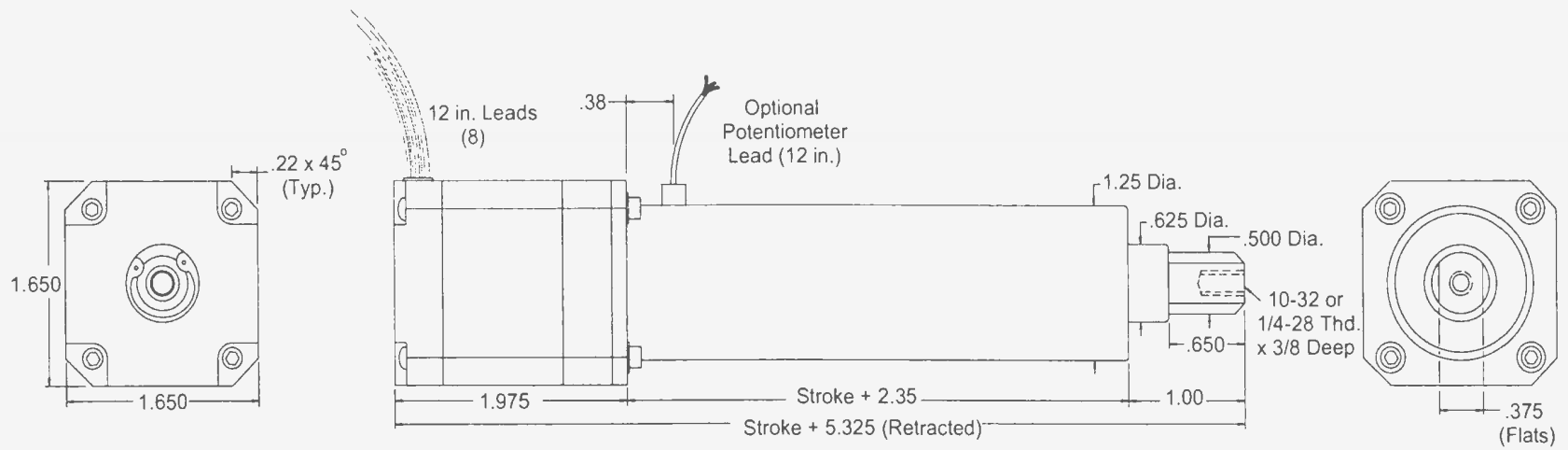
drawing: [PDF](#) [DXF](#)

nose mount: **RBC3S** - Small stainless steel nose rod bearing clevis

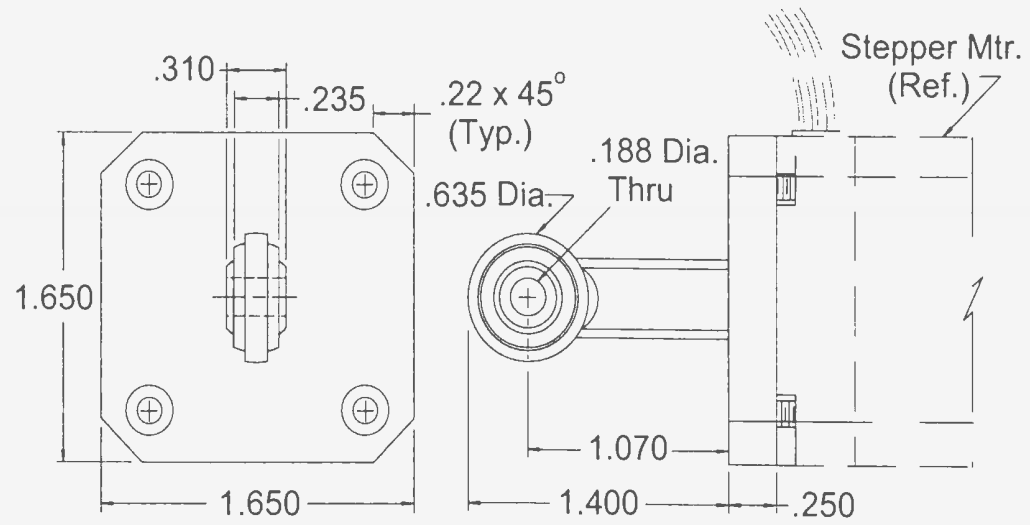
drawing: [PDF](#) [DXF](#)



NOSE ROD BEARING CLEVIS - .188 ID



DIGIT



BASE ROD BEARING CLEVIS .188 Dia
 & MOUNTING PLATE



► **Frameless Motors Series:** **Build Your Own High Performance Motor**

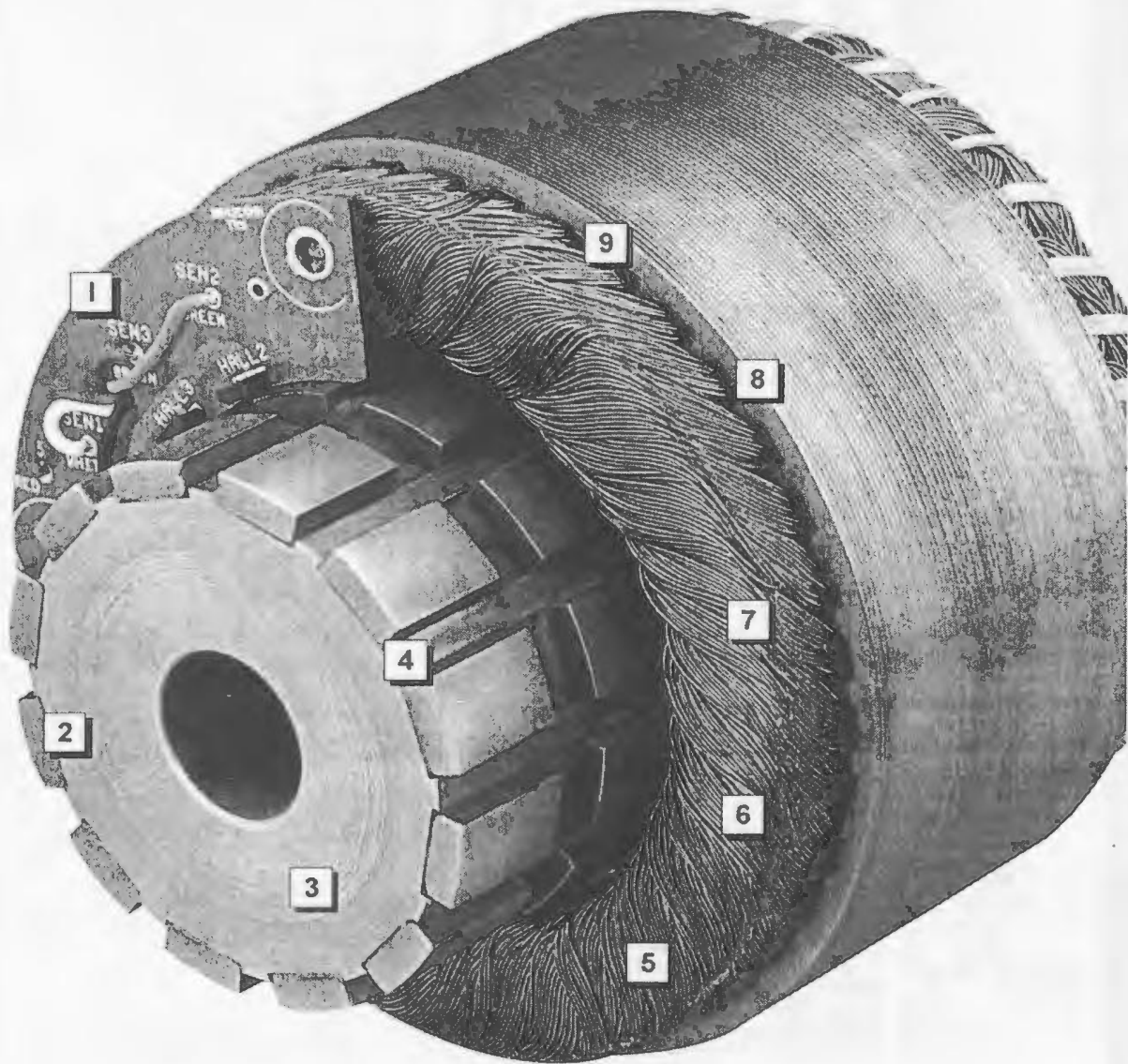
When to Use:

- A significant cost savings
- Reduced mechanical complexity
- Greater design flexibility
- High performance in a compact package
- Improved dynamic response and settling
- Minimum motor size per application space
- Low cogging for smooth operation
- Low inertia for high acceleration

Applications:

- Automotive
- Machine Tool
- Material Handling
- Packaging
- Robotics
- Semiconductor

The frameless kit motors are ideal solutions for machine designs that require high performance in small spaces. The kit motors approach allow for direct integration with a mechanical transmission device, eliminating parts that add size and compliance. The use of frameless kit motors result in a smaller more reliable motor package.





1 **Pre-installed Integral Commutation Board**
with Hall Effects is prealigned for easy assembly. Motor and feedback as integrated unit.

2 **Rare Earth Magnets**
provide high flux in a small volume, high resistance to thermal demagnetizing

3 **Rotor Assembly**
for easy mounting directly on the drive shaft with or without keyway.

4 **Machined Grooves**
to securely lock magnets to rotor and ensures optimized radial location.

5 **Class H Insulation**
for high temperature operation (up to 155°C) meeting UL approved requirements.

6 **High Density Copper Winding**
for low thermal resistance and consistent performance across all motors.

7 **Minimized End Turns**
to maximize performance. Formed to minimize motor size.

8 **Skewed Laminations**
with odd slot counts reduce cogging for precise rotary motion with drastically reduced torque ripple even at low speeds.

9 **Optimized Slot Fill**
for maximum torque-to-size ratio hand inserted to obtain highest slot fill possible maximizing ampere-turns.



What goes into our Frameless Kit Motors...

Our direct drive brushless kit motors consist of three components:

- ▶ The stator and winding
- ▶ The rotor with high energy product neodymium magnets
- ▶ Hall sensor device for motor commutation

What comes out of our Frameless Kit Motors...

- ▶ High Torque - from 0.06 Nm (0.5 in lb) to 9.7 Nm (85.6 in lb)
- ▶ High Speeds - up to 50,000 RPM
- ▶ Superior Performance - high stiffness and better response
- ▶ High Reliability - no mechanical transmission devices (couplings, flanges)
- ▶ Compact Design - minimizes product size
- ▶ Low Cogging - unique magnetic circuit design decreases cogging
- ▶ No RFI-EMI generation



Frameless Motors Series:

K032 to K0254 Motors

Performance Specifications (six step/trapezoidal commutation)

Frame Size	Stack Length		Continuous Torque ⁽¹⁾		Peak Torque		Motor Constant		Core Loss P _c W @1kRPM	Rotor* Inertia		Electrical Time Constant T _c (msec)	Thermal Resistance (°C/W)	Weight	
	(mm)	(in)	T _c (Nm)	(oz in)	T _p (Nm)	(oz in)	K _m (Nm/√W)	(oz in/√W)		J _m (gm cm sec ²)	(oz in sec ²)			W _m (kg)	(oz)
K032025	6.35	0.25	0.044	6.3	0.095	13.5	0.009	1.25	0.03	0.0016	0.000022	0.21	3.44	0.042	1.5
K032050	12.7	0.5	0.08	11.4	0.188	27	0.016	2	0.06	0.0032	0.000045	0.35	3.44	0.068	2.4
K032075	19.05	0.75	0.11	15.7	0.281	40	0.022	3	0.09	0.0048	0.000067	0.44	3.44	0.096	3.4
K032100	25.4	1	0.136	19.4	0.375	54	0.027	4	0.12	0.0064	0.000089	0.5	3.44	0.122	4.3
K032150	38.1	1.5	0.181	25.8	0.544	77.7	0.036	5.15	0.18	0.0096	0.000134	0.6	3.44	0.173	6.1
K032200	50.8	2	0.22	31.1	0.654	93.4	0.044	6.25	0.24	0.013	0.000178	0.66	3.44	0.26	9.2
K032300	76.2	3	0.33	46.5	0.99	139.5	0.054	7.56	0.36	0.0192	0.000268	0.7	3.44	0.36	12.8
K044025	6.35	0.25	0.119	17	0.357	50	0.02	3	0.11	0.0072	0.0001	0.39	2.36	0.085	3
K044050	12.7	0.5	0.214	30.6	0.642	90	0.035	5	0.24	0.014	0.0002	0.62	2.36	0.133	5
K044075	19.05	0.75	0.297	42.4	0.891	127	0.049	7	0.37	0.022	0.0003	0.76	2.36	0.200	7
K044100	25.4	1	0.364	52	1.092	156	0.06	9	0.49	0.03	0.00041	0.89	2.36	0.224	8
K044150	38.1	1.5	0.501	71	1.510	213	0.08	11.4	0.74	0.044	0.00061	1.05	2.36	0.311	11
K044200	50.8	2	0.607	86	1.820	258	0.097	13.8	1.11	0.06	0.00082	1.12	2.36	0.399	14.1
K044300	76.2	3	0.96	136.0	2.88	408	0.13	18.3	1.48	0.088	0.00122	1.3	2.36	0.549	19.4
K064025	6.35	0.25	0.31	44.3	0.93	133	0.048	6.88	0.37	0.046	0.00064	0.59	1.68	0.142	5
K064050	12.7	0.5	0.62	89	1.87	267	0.087	12.48	0.78	0.092	0.00128	0.98	1.68	0.286	10.1
K064075	19.05	0.75	0.85	121.7	2.56	365	0.122	17.44	1.19	0.138	0.00192	1.26	1.68	0.427	15.1
K064100	25.4	1	1.08	154	3.23	462	0.15	21.44	1.6	0.184	0.00256	1.47	1.68	0.572	20.2
K064150	38.1	1.5	1.46	209	4.39	627	0.204	29.12	2.37	0.276	0.00384	1.77	1.68	0.846	30.2
K064200	50.8	2	2.16	308	6.47	924	0.244	34.88	3.23	0.369	0.00512	1.97	1.68	1.129	40.3
K064300	76.2	3	2.91	410	8.73	1,230	0.33	46.6	4.74	0.552	0.00768	2.6	1.68	1.701	60.5
K089050	12.7	0.5	1.307	186.7	3.92	560	0.164	23.36	2.14	0.38	0.00528	1.26	1.02	0.498	17.6
K089075	19.05	0.75	1.96	280	5.88	840	0.235	33.6	3.35	0.576	0.008	1.64	1.02	0.747	26.4
K089100	25.4	1	2.618	374	7.84	1,120	0.283	40.64	4.42	0.792	0.011	1.92	1.02	0.996	35.2
K089150	38.1	1.5	3.92	560	11.76	1,680	0.381	54.4	6.7	1.15	0.016	2.33	1.02	1.494	52.8
K089200	50.8	2	4.291	613	12.87	1,839	0.466	66.56	8.95	1.51	0.021	2.6	1.02	1.992	70.4
K089300	76.2	3	7.13	1,004	21.4	3,012	0.631	88.9	13.4	2.30	0.032	2.9	1.02	3.00	105.6

(1) = Housed in a motor frame.

Typically an aluminum cylinder with 6.35mm (0.250in) thick walls,
K032, K044 and K064 mounted to a 152mm x 152mm x 12.5 mm (6in x 6in x 0.5in) aluminum plate
K089 mounted to a 203mm x 203mm x 12.5mm (8in x 8in x 0.5in) aluminum plate

* See Engineering Reference page 297 for inertia discussion.

Pole Count

K032 is 4
K044 is 6
K064 is 8
K089 is 12



Frame Size	Stack Length		Continuous Torque ⁽¹⁾		Peak Torque		Motor Constant		Core Loss	Rotor* Inertia		Electrical Time Constant	Thermal Resistance	Weight	
	(mm)	(in)	T _c		T _p		K _m		P _c W@1kRPM	J _m		T _c (msec)	°C/W	W _m	
			(Nm)	(oz in)	(Nm)	(oz in)	(Nm/√W)	(oz in/√W)		(gm cm sec ²)	(oz in sec ²)			(kg)	(oz)
K375050	12.7	0.5	1.715	245	5.14	734	0.153	21.8	1.2	0.324	0.0045	1.45	1.02	0.611	21.6
K375075	19.05	0.75	2.401	343	7.19	1,027	0.213	30.4	1.8	0.497	0.0069	1.9	1.02	0.917	32.4
K375100	25.4	1	3.003	429	9	1,286	0.267	38.1	2.4	0.655	0.0091	2.24	1.02	1.095	38.7
K375150	38.1	1.5	4.025	575	12.6	1,723	0.357	51	3.6	1.01	0.014	2.68	1.02	1.554	54.9
K375200	50.8	2	4.935	705	14.82	2,117	0.438	62.6	4.8	1.30	0.018	3.03	1.02	2.02	71.1
K375300	76.2	3	6.69	942	20.1	2,826	0.592	83.4	7.2	2.02	0.028	3.5	1.02	2.94	103.5
K127050	12.7	0.5	3.94	563	11.83	1,690	0.29	41.4	4.7	1.15	0.016	2.38	0.7	1.087	38.4
K127100	25.4	1	6.98	997	21.04	3,006	0.513	73.3	9.6	2.38	0.033	3.7	0.7	1.766	62.4
K127150	38.1	1.5	9.56	1,365	28.66	4,094	0.702	100.3	14.5	3.53	0.049	4.6	0.7	2.355	83.2
K127200	50.8	2	11.75	1,678	35.24	5,034	0.864	123.4	19.4	4.75	0.066	5.23	0.7	2.99	105.6
K127300	76.2	3	16.1	2,263	48.3	6,789	1.18	166.1	29.0	7.06	0.098	6.1	0.7	3.65	147.2
K500050	12.7	0.5	3.05	435	9.14	1,306	0.224	32	1.6	1.15	0.016	2.6	0.7	1.087	38.4
K500100	25.4	1	5.49	784	16.46	2,352	0.403	57.6	3	2.30	0.032	4.5	0.7	1.766	62.4
K500150	38.1	1.5	7.92	1,131	23.76	3,394	0.582	83.2	4.8	3.46	0.048	6	0.7	2.355	83.2
K500200	50.8	2	9.44	1,349	28.32	4,046	0.694	99.2	6.4	4.61	0.064	6.4	0.7	2.988	105.6
K500300	76.2	3	15.4	2,170	46.2	6,510	1.13	159.3	8.6	6.92	0.096	8.0	0.7	4.18	147.2
K178050	12.7	0.5	10.12	1,445	16.18	2,312	0.627	89.6	9.1	4.75	0.066	4.16	0.5	2.4	84.8
K178100	25.4	1	18.06	2,580	28.89	4,127	1.12	160	18.7	9.36	0.13	6.54	0.5	3.71	131.2
K178150	38.1	1.5	24.75	3,535	39.59	5,655	1.534	219	14.4	14.4	0.2	8.15	0.5	4.98	176
K178200	50.8	2	30.7	4,386	49.12	7,017	1.904	272	18.7	18.7	0.26	9.31	0.5	6.34	224
K178300	76.2	3	43.1	6,078	69.0	9,724	2.68	377	28.8	28.8	0.4	12.2	0.5	8.90	313.6
K700050	12.7	0.5	5.05	722	8.09	1,155	0.314	44.8	7.70	7.7	0.107	2.9	0.4	2.4	84.8
K700100	25.4	1	9.57	1,367	15.32	2,188	0.594	84.8	15.4	15.4	0.214	5	0.4	3.71	131.2
K700150	38.1	1.5	13.55	1,935	21.67	3,096	0.84	120	23.2	23.2	0.322	6.8	0.4	4.98	176
K700200	50.8	2	17.52	2,503	28.03	4,004	1.086	155.2	30.9	31	0.429	8.5	0.4	6.34	224
K700300	76.2	3	27.5	3,876	44.0	6,200	1.53	215	46.4	46.4	0.644	10.7	0.4	8.91	313.6
K254050	12.7	0.5	18.78	2,683	30.04	4,292	1.043	149	17.9	17.9	0.248	6.05	0.4	4.48	158.4
K254100	25.4	1	33.92	4,846	54.27	7,753	1.883	269	35.5	35.5	0.493	9.63	0.4	6.79	240
K254150	38.1	1.5	46.84	6,692	74.95	10,707	2.597	371	53.1	53.1	0.738	12.5	0.4	9.056	320
K254200	50.8	2	58.35	8,336	93.37	13,338	3.234	462	71.0	71	0.986	14.7	0.4	11.32	400
K254300	76.2	3	80.9	11,400	129.4	18,240	4.49	632	106.2	106	1.478	18.0	0.4	15.9	560

(1) = Housed in a motor frame. Typically an aluminum cylinder with 6.35mm (0.250in) thick walls. K375, K127 and K500 mounted to a 305mm x 305mm x 12.5mm (12in x 12in x 0.5in) aluminum plate. K178, K700 and K254 mounted to a 406mm x 406mm x 12.5mm (16in x 16in x 0.5in) aluminum plate. * See Engineering Reference page 297 for inertia discussion.

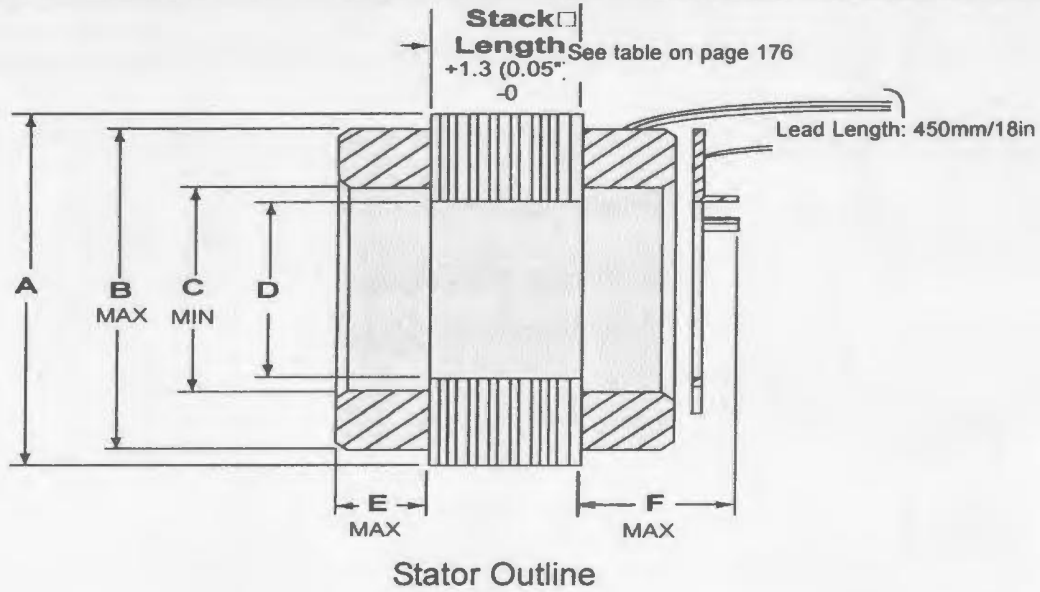
Pole Count:
K127 & K375 are 12
K700 & K500 are 8
K178 & K254 are 18



Frameless Motors Series:

K032 to K0254 Motors

Dimensions



Frame Size	A O.D.		B End Turns O.D.		C End Turns I.D.		D I.D.		E End Turns Length		F Commutation Length	
	(mm)	(in)	(mm)	(in)	(mm)	(in)	(mm)	(in)	(mm)	(in)	(mm)	(in)
K032	31.78	1.251	27.94	1.1	16.51	0.65	15.06	0.593	6.4	0.25	14.5	0.57
	31.75	1.25					14.8	0.583				
K044	44.48	1.751	40.64	1.6	26.16	1.03	22.35	0.88	7.9	0.31	16.5	0.65
	44.42	1.749					22.09	0.87				
K064	63.52	2.501	60.7	2.39	38.1	1.5	35.18	1.385	9.65	0.38	17.5	0.69
	63.47	2.499					34.92	1.375				
K089	88.92	3.501	85.8	3.38	54.6	2.15	53.47	2.105	9.91	0.39	17.5	0.69
	88.87	3.499					53.21	2.095				
K375	95.28	3.751	88.9	3.5	53.32	2.06	50.93	2.005	12.7	0.5	19.5	0.77
	95.22	3.749					50.67	1.995				
K127	127.02	5.001	122.17	4.81	74.17	2.92	72.49	2.854	12.7	0.5	19.5	0.77
	126.97	4.999					72.23	2.844				
K500	127.05	5.002	115.32	4.54	70.6	2.78	68.2	2.685	20.5	0.81	30.5	1.2
	126.95	4.998					67.94	2.675				
K178	177.88	7.003	172.72	6.8	111.51	4.39	110.64	4.355	20.3	0.8	*	
	177.72	6.997					110.38	4.345				
K700	177.88	7.003	158.24	6.23	117.6	4.63	115.19	4.535	18.8	0.74	*	
	177.72	6.997					114.93	4.525				
K254	254.07	10.003	253.26	9.971	165.1	6.5	157.61	6.205	19.6	0.77	*	
	253.92	9.997					157.35	6.195				

*integral commutation not available

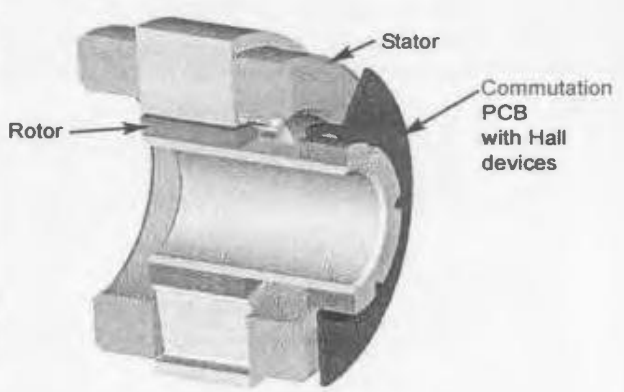
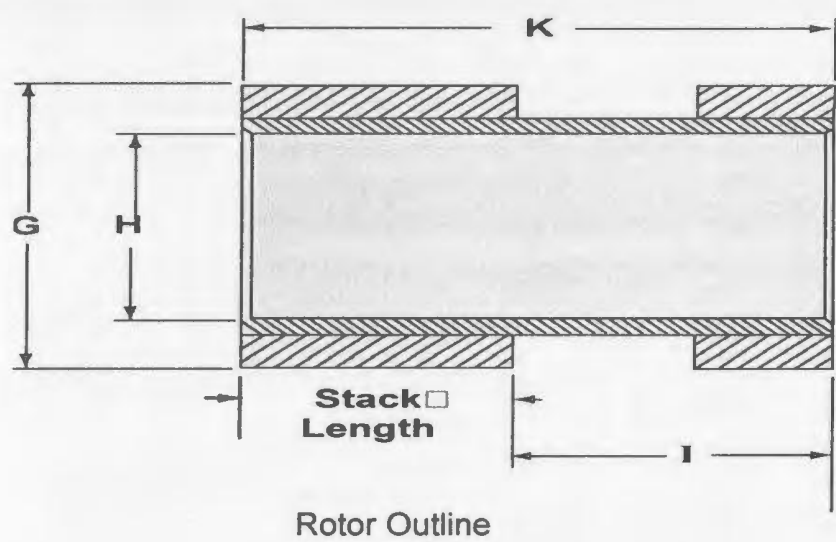


Figure 1.3
Kit Main Components

Frame Size	G Rotor O.D.		H Rotor I.D.		I Commutation Magnet Length		K Rotor Length
	(mm)	(in)	(mm)	(in)	(mm)	(in)	
K032	13.94	0.549	7.62	0.3	13.21	0.52	without Commutation: K = Stack Length + 0.76mm (0.030in)
	13.89	0.547	7.59	0.299			
K044	21.23	0.836	13.97	0.55	14.73	0.58	with Commutation: K = Stack Length + I + 0.76mm (0.030in)
	21.18	0.834	13.94	0.549			
K064	34.04	1.34	23.52	0.926	16.51	0.65	
	33.98	1.338	23.49	0.925			
K089	51.84	2.041	40.64	1.6	16.71	0.66	
	51.79	2.039	40.61	1.599			
K375	49.28	1.94	38.1	1.5	19.56	0.77	
	49.15	1.935	38.07	1.499			
K127	71.15	2.801	58.42	2.3	19.56	0.77	
	71.09	2.799	58.39	2.299			
K500	66.54	2.62	50.83	2.001	28.52	1.12	
	66.5	2.618	50.8	2			
K178	109.2	4.292	95.76	3.77	*		
	108.9	4.29	95.73	3.769			
K700	113.54	4.47	95.25	3.75	*		
	113.49	4.468	95	3.74			
K254	156.16	6.148	140.46	5.53	*		
	156.11	6.146	140.44	5.529			

*Integral commutation not available

Servo Motors & Drives



Frameless Motors Series: Winding Selection

The selection of a particular frame size and winding for an application is dependent on:

- Volume (diameter and length) requirement
- Power (torque and speed) requirement
- Voltage and current available or required

The first two items are dependent on the load and performance specifications of the application. They result in the selection of a particular frame size (032 through 254) and stack length.

The winding to be used will then be determined by voltage and current available or required.

Voltage: The bus voltage and maximum speed will determine the required voltage constant (K_E).

Current: The maximum load and acceleration will determine the amount of current required, determined by the torque constant (K_T) associated with the selected voltage constant.

Example: Assume a requirement of 1,000 RPM at 50 oz in

If a motor with a particular winding having $K_E = 18.24$ V/1,000 RPM and $K_T = 24.62$ oz in/amp is chosen, it will now require a voltage (BEMF) of 18 volts and current of 2 amp.

NOTE: K_E and K_T are directly proportional to each other. Increasing K_E will also increase K_T ; Decreasing K_E will also decrease K_T .

The result is that as the voltage requirement changes, the current requirement changes inversely.

Bayside has a range of 27 windings available for each frame size and stack length, providing for virtually any practical combination of voltage and current required for your application.

The following pages show just a small representative sample of speed/torque curves for each of the 10 frame sizes available.

For the 044, 064, 089 and 127 frame sizes, the speed/torque curves are for stators that are used in the standard BM / GM motor products.

They make a good starting point for determining your specific application requirements and working with Bayside application engineers to choose the proper motor size and power.

The following table lists the range of K_E and K_T available for each of the 10 frame sizes.

Detailed information for all these windings can be found on the web site: www.baysidemotion.com

Frame Size	Stack Range		K_E Range		K_T Range	
	(mm)	(in)	(V/1,000 RPM)	(V/rad/sec)	(Nm/amp)	(oz in/amp)
K032	6.35 to 50.8	0.25 to 2.00	0.14 to 65.52	0.0013 to 0.625	0.0013 to 0.625	0.18 to 88.45
K044	6.35 to 50.8	0.25 to 2.00	0.28 to 126.3	0.0027 to 1.2	0.0027 to 1.2	0.38 to 170.6
K064	6.35 to 50.8	0.25 to 2.00	0.66 to 291.8	0.0063 to 2.78	0.0063 to 2.78	0.89 to 394
K089	6.35 to 50.8	0.25 to 2.00	1.35 to 605	0.013 to 5.77	0.013 to 5.77	1.83 to 817
K375	6.35 to 50.8	0.25 to 2.00	1.27 to 566	0.012 to 5.40	0.012 to 5.40	1.71 to 765
K127	12.7 to 50.8	0.50 to 2.00	3.73 to 827	0.036 to 7.88	0.036 to 7.88	5.04 to 1116
K500	12.7 to 50.8	0.50 to 2.00	3.38 to 714	0.032 to 6.81	0.032 to 6.81	4.56 to 964
K178	12.7 to 50.8	0.50 to 2.00	8.26 to 1716	0.079 to 16.4	0.079 to 16.4	11.18 to 2,323
K700	12.7 to 50.8	0.50 to 2.00	4.14 to 872	0.039 to 8.31	0.039 to 8.31	5.59 to 1,177
K254	12.7 to 50.8	0.50 to 2.00	11.44 to 2,537	0.109 to 24.2	0.109 to 24.2	15.5 to 3,425

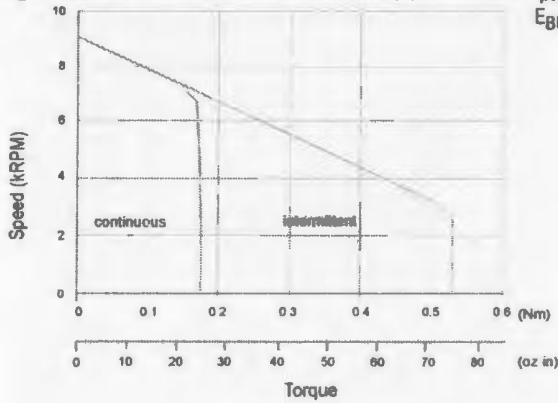
NOTE: Longer stacks and special windings are available. Call 1-800-305-4555

Frameless Motors Series: Speed/Torque Curves



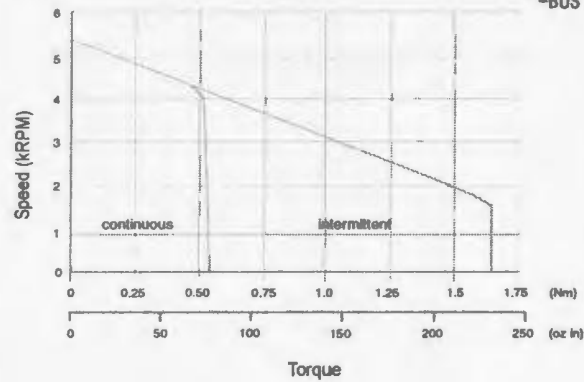
K032150-7Y

$K_T = 0.051 \text{ Nm/amp}$ (7.19 oz-in/amp) $R_{T-T} = 2.05 \Omega$ $I_{\text{cont}} = 3.6 \text{ amp}$
 $K_E = 0.051 \text{ v/rad/sec}$ (5.32 V/kRPM) $L_{T-T} = 1.16 \text{ mH}$ $I_{\text{peak}} = 10.8 \text{ amp}$
 $E_{\text{BUS}} = 48 \text{ Vdc}$



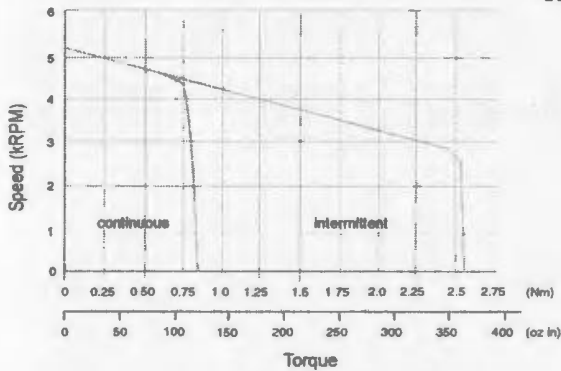
K044150-FY

$K_T = 0.28 \text{ Nm/amp}$ (39.6 oz-in/amp) $R_{T-T} = 11.8 \Omega$ $I_{\text{cont}} = 2 \text{ amp}$
 $K_E = 0.28 \text{ v/rad/sec}$ (29.3 V/kRPM) $L_{T-T} = 12.5 \text{ mH}$ $I_{\text{peak}} = 6 \text{ amp}$
 $E_{\text{BUS}} = 160 \text{ Vdc}$



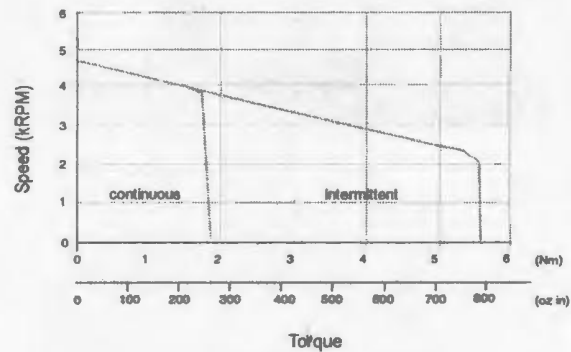
K044300-8Y

$K_T = 0.28 \text{ Nm/amp}$ (39.6 oz-in/amp) $R_{T-T} = 4.8 \Omega$ $I_{\text{cont}} = 3 \text{ amp}$
 $K_E = 0.28 \text{ v/rad/sec}$ (29.3 V/kRPM) $L_{T-T} = 6.2 \text{ mH}$ $I_{\text{peak}} = 9 \text{ amp}$
 $E_{\text{BUS}} = 160 \text{ Vdc}$



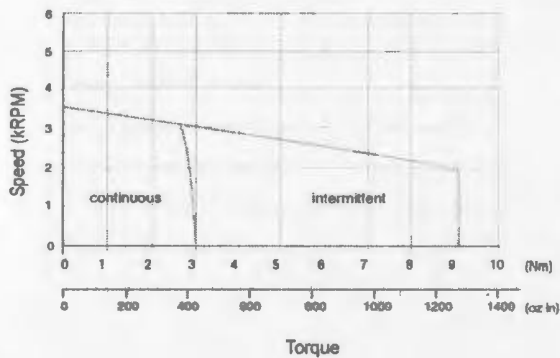
K064150-8Y

$K_T = 0.33 \text{ Nm/amp}$ (46.1 oz-in/amp) $R_{T-T} = 2.5 \Omega$ $I_{\text{cont}} = 6 \text{ amp}$
 $K_E = 0.33 \text{ v/rad/sec}$ (34.1 V/kRPM) $L_{T-T} = 4.5 \text{ mH}$ $I_{\text{peak}} = 18 \text{ amp}$
 $E_{\text{BUS}} = 160 \text{ Vdc}$



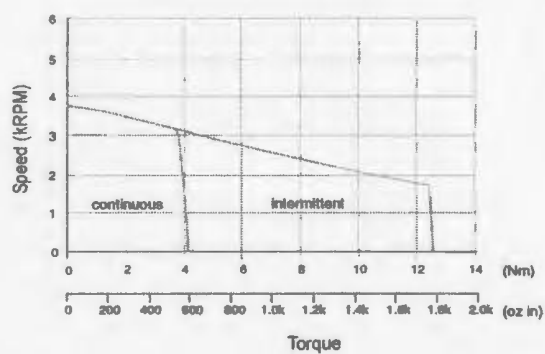
K064300-6Y

$K_T = 0.42 \text{ Nm/amp}$ (59.9 oz-in/amp) $R_{T-T} = 1.6 \Omega$ $I_{\text{cont}} = 7 \text{ amp}$
 $K_E = 0.42 \text{ v/rad/sec}$ (44.3 V/kRPM) $L_{T-T} = 3.8 \text{ mH}$ $I_{\text{peak}} = 21 \text{ amp}$
 $E_{\text{BUS}} = 160 \text{ Vdc}$



K375150-6Y

$K_T = 0.41 \text{ Nm/amp}$ (57.92 oz-in/amp) $R_{T-T} = 1.21 \Omega$ $I_{\text{cont}} = 10 \text{ amp}$
 $K_E = 0.41 \text{ v/rad/sec}$ (47.82 V/kRPM) $L_{T-T} = 3.45 \text{ mH}$ $I_{\text{peak}} = 30 \text{ amp}$
 $E_{\text{BUS}} = 160 \text{ Vdc}$

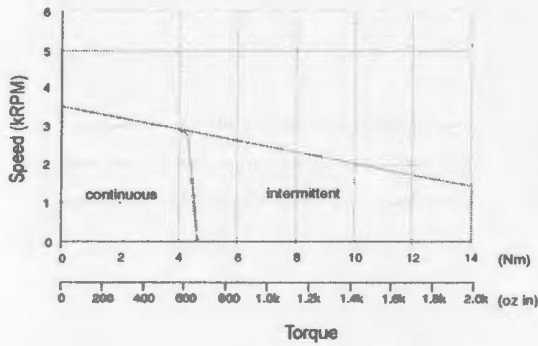




Frameless Motors Series: Speed/Torque Curves

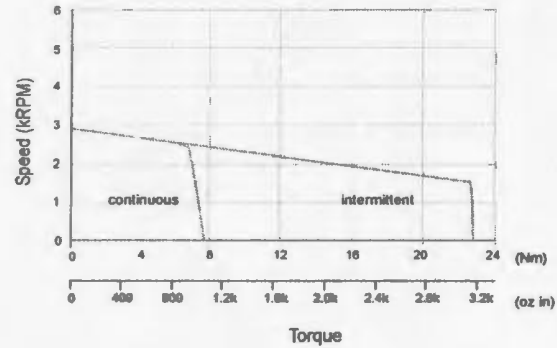
K089150-6Y

$K_T = 0.43 \text{ Nm/amp}$ (61.6 oz-in/amp) $R_{T-T} = 1.2 \Omega$ $I_{\text{cont}} = 11 \text{ amp}$
 $K_E = 0.43 \text{ v/rad/sec}$ (45.6 V/kRPM) $L_{T-T} = 2.9 \text{ mH}$ $I_{\text{peak}} = 33 \text{ amp}$
 $E_{\text{BUS}} = 160 \text{ Vdc}$



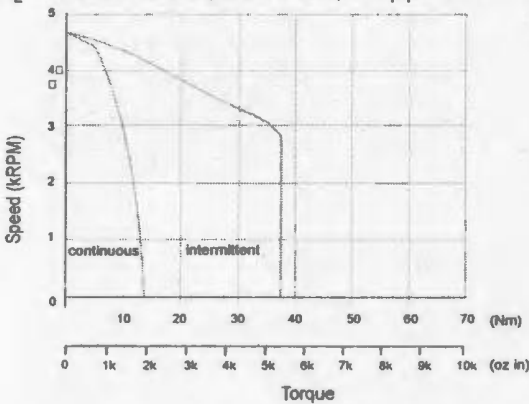
K089300-4Y

$K_T = 0.54 \text{ Nm/amp}$ (75.8 oz-in/amp) $R_{T-T} = 0.73 \Omega$ $I_{\text{cont}} = 15 \text{ amp}$
 $K_E = 0.54 \text{ v/rad/sec}$ (56.1 V/kRPM) $L_{T-T} = 2.2 \text{ mH}$ $I_{\text{peak}} = 45 \text{ amp}$
 $E_{\text{BUS}} = 160 \text{ Vdc}$



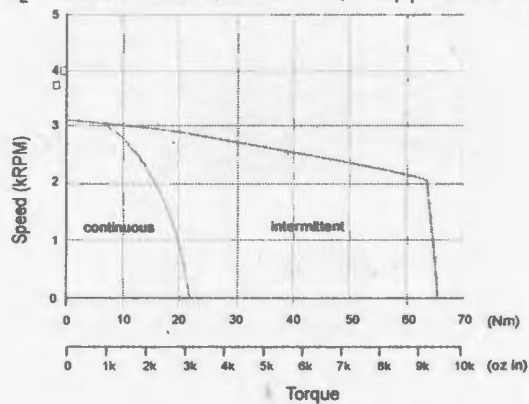
K127250-4Y

$K_T = 0.61 \text{ Nm/amp}$ (86.9 oz-in/amp) $R_{T-T} = 0.35 \Omega$ $I_{\text{cont}} = 20 \text{ amp}$
 $K_E = 0.61 \text{ v/rad/sec}$ (64.2 V/kRPM) $L_{T-T} = 2.1 \text{ mH}$ $I_{\text{peak}} = 60 \text{ amp}$
 $E_{\text{BUS}} = 300 \text{ Vdc}$



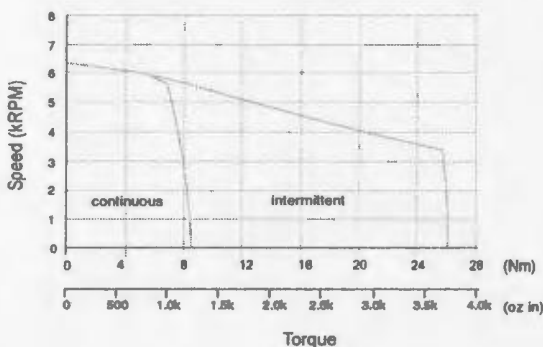
K127500-3Y

$K_T = 0.92 \text{ Nm/amp}$ (130.4 oz-in/amp) $R_{T-T} = 0.34 \Omega$ $I_{\text{cont}} = 24 \text{ amp}$
 $K_E = 0.92 \text{ v/rad/sec}$ (96.4 V/kRPM) $L_{T-T} = 2.3 \text{ mH}$ $I_{\text{peak}} = 72 \text{ amp}$
 $E_{\text{BUS}} = 300 \text{ Vdc}$



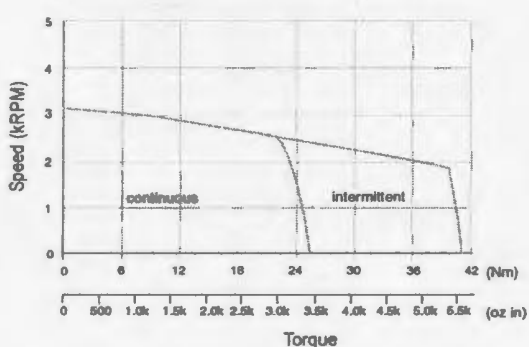
K500150-5Y

$K_T = 0.45 \text{ Nm/amp}$ (63.78 oz-in/amp) $R_{T-T} = 0.49 \Omega$ $I_{\text{cont}} = 18 \text{ amp}$
 $K_E = 0.45 \text{ v/rad/sec}$ (47.19 V/kRPM) $L_{T-T} = 2.72 \text{ mH}$ $I_{\text{peak}} = 53 \text{ amp}$
 $E_{\text{BUS}} = 300 \text{ Vdc}$



K178150-5Y

$K_T = 0.93 \text{ Nm/amp}$ (130.5 oz-in/amp) $R_{T-T} = 0.37 \Omega$ $I_{\text{cont}} = 27 \text{ amp}$
 $K_E = 0.93 \text{ v/rad/sec}$ (96.2 V/kRPM) $L_{T-T} = 2.95 \text{ mH}$ $I_{\text{peak}} = 43 \text{ amp}$
 $E_{\text{BUS}} = 300 \text{ Vdc}$

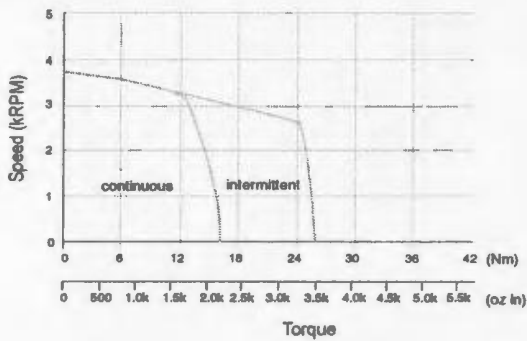


Frameless Motors Series: How to Order



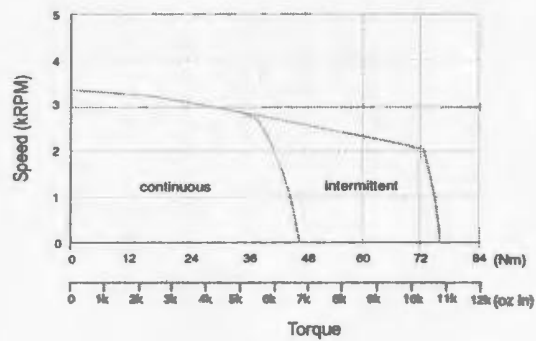
K700150-7Y

$K_T = 0.78 \text{ Nm/amp}$ (110.35 oz-in/amp) $R_{T-T} = 0.84 \Omega$ $I_{\text{cont}} = 18 \text{ amp}$
 $K_E = 0.78 \text{ v/rad/sec}$ (81.71 V/KRPM) $L_{T-T} = 5.79 \text{ mH}$ $I_{\text{peak}} = 28 \text{ amp}$
 $E_{\text{BUS}} = 300 \text{ Vdc}$



K254150-5Y

$K_T = 1.42 \text{ Nm/amp}$ (199.7 oz-in/amp) $R_{T-T} = 0.78 \Omega$ $I_{\text{cont}} = 34 \text{ amp}$
 $K_E = 1.42 \text{ v/rad/sec}$ (147.6 V/KRPM) $L_{T-T} = 3.6 \text{ mH}$ $I_{\text{peak}} = 54 \text{ amp}$
 $E_{\text{BUS}} = 300 \text{ Vdc}$



How to Order

Order
Numbering
Example:

K **0** **4** **4** **1** **0** **0** - **E** **Y** **3**

MODEL	STACK LENGTH	WINDING ⁽¹⁾	CONNECTION	COMMUTATION
032	025 (0.25")	1	Y	1 = Without
044	050 (0.50")	2		2 = With Integral
064	075 (0.75")	3		3 = With External ⁽²⁾
089	100 (1.00")	4		
375	150 (1.50")	5		
127	200 (2.00")	6		
500		7		
178		8		
700		9		
254		E		
		F		
		G		
		H		
		J		
		K		
		L		

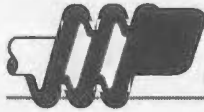
(1) Consult Bayside (1-800-305-4555 or www.baysidemotion.com) for specific winding designations.
 (2) For K178, K700 & K254 only

Bayside Kit Motors are supported by a worldwide network of offices and local distributors.
 Call 1-800-305-4555 for application engineering assistance or for the name of your local distributor.
 Information can also be obtained at www.baysidemotion.com.

Specifications are subject to change without notice.

Servo Motors
& Drives

Appendix C – Electronic Data Sheets



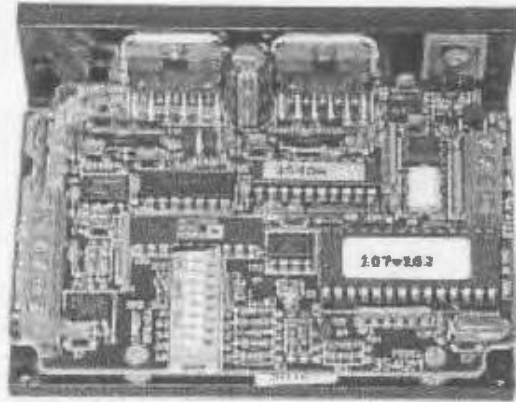
3540M Step Motor Drive

Microstepping

3.5 amps, 40 VDC

Features

- DC bus voltage 12-42 VDC motor supply (including ripple)
- Switch selectable currents from 0.4-3.5 amps/phase motor current
- Switch selectable Step resolutions: 400, 1000, 2000, 12800 steps/rev. Other resolutions are available upon request
- Switch selectable idle current reduction, 0 or 50%
- Optically isolated 5 VDC inputs for step, direction and enable
- Enable input to turn off current to the motor
- Self test, switch selectable
- 140 watts of usable power
- Screw terminal connectors. Pin headers available upon request
- MOSFET, dual H-bridge, inaudible PWM amplifier
- 3 state, pulse width modulated current control, switching at 20-30 KHz.
- Drives 4, 6 or 8 lead size 11, 14, 17, 23 or 34 step motors
- CE compliant

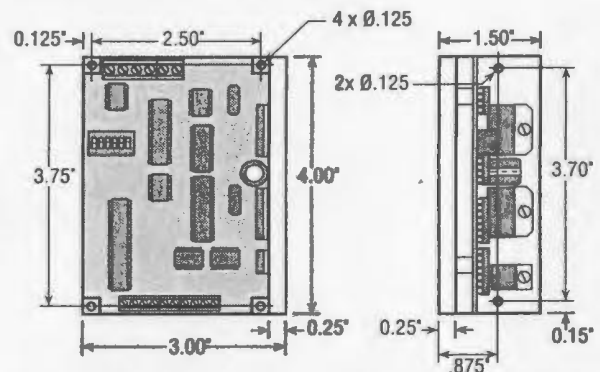


Description

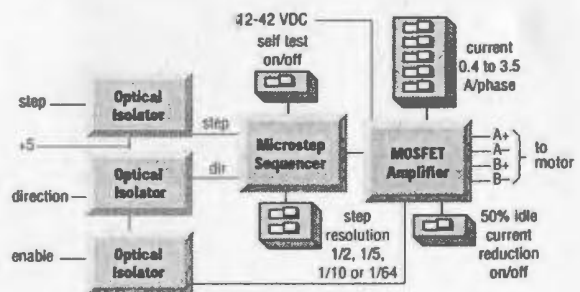
The 3540M step motor driver is a microstepping drive from 400 to 12,800 steps per revolution, with custom resolutions available upon request, step phase sequencer with MOSFET three state switching amplifiers and optoisolated circuits. The drive also includes an automatic feature to lower motor current by 50% anytime the motor is left at rest for more than one second. This feature can be disabled. Additionally there is a switch selectable self-test which rotates the motor $1/2$ revolution in each direction at 100 steps/second.

The amplifier regulates motor current by chopping at a constant, inaudible frequency. Phase current is selected from 32 levels by a DIP switch. Microstepping resolution is also selected by DIP switch.

MECHANICAL OUTLINE



BLOCK DIAGRAM



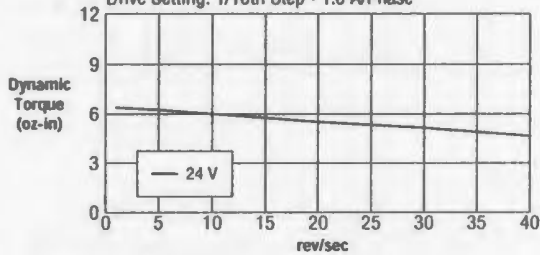
Recommended motors for the 3540M drive:

Size 11	Size 14	Size 17	Size 23	Size 34
HT11-012	5014-842	HT17-068	HT23-394	5034-348
HT11-013		HT17-071	HT23-397	
		HT17-075	HT23-400	

3540M Torque Curves

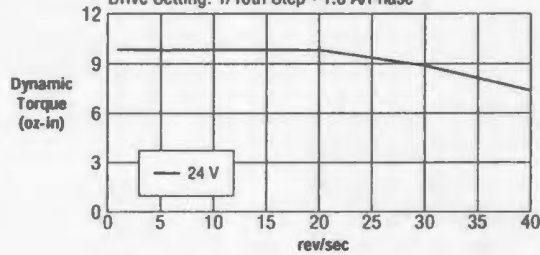
HT11-012 MOTOR

Motor Connection: 4 Lead Bipolar
Drive Setting: 1/10th Step • 1.0 A/Phase



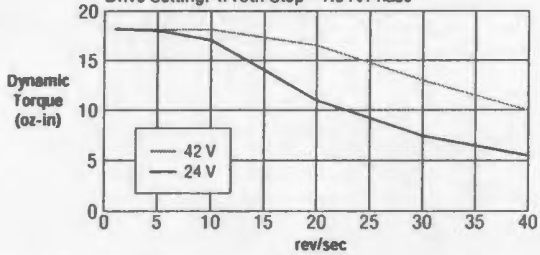
HT11-013 MOTOR

Motor Connection: 4 Lead Bipolar
Drive Setting: 1/10th Step • 1.0 A/Phase



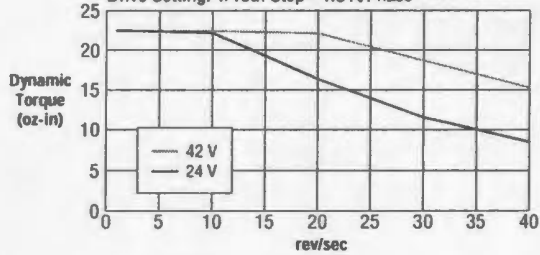
5014-842 MOTOR

Motor Connection: Parallel
Drive Setting: 1/10th Step • 1.0 A/Phase



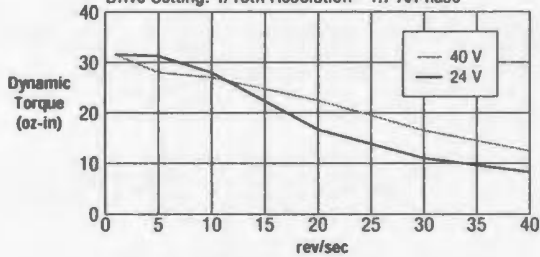
HT17-068 MOTOR

Motor Connection: Parallel
Drive Setting: 1/10th Step • 1.3 A/Phase



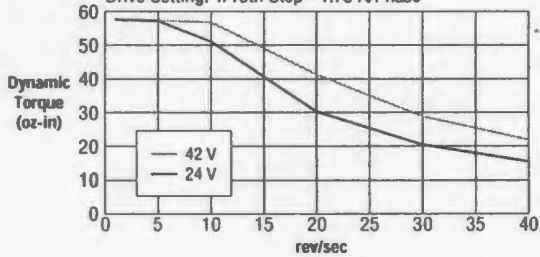
HT17-071 MOTOR

Motor Connection: Parallel
Drive Setting: 1/10th Resolution • 1.7 A/Phase



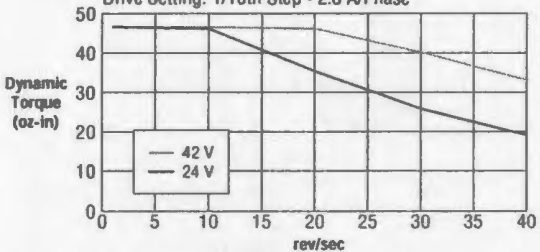
HT17-075 MOTOR

Motor Connection: Parallel
Drive Setting: 1/10th Step • 1.75 A/Phase



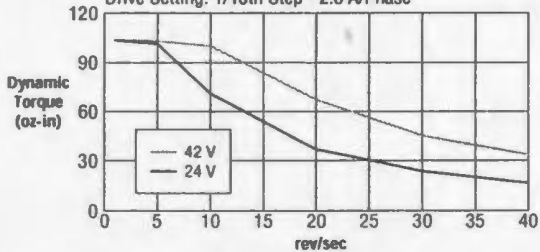
HT23-394 MOTOR

Motor Connection: Parallel
Drive Setting: 1/10th Step • 2.8 A/Phase



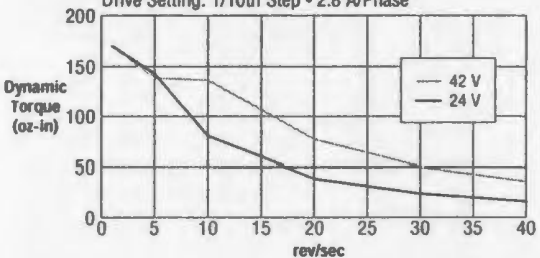
HT23-397 MOTOR

Motor Connection: Parallel
Drive Setting: 1/10th Step • 2.8 A/Phase



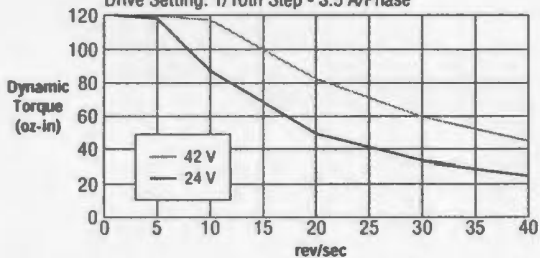
HT23-400 MOTOR

Motor Connection: Parallel
Drive Setting: 1/10th Step • 2.8 A/Phase



5034-348 MOTOR

Motor Connection: Parallel
Drive Setting: 1/10th Step • 3.5 A/Phase

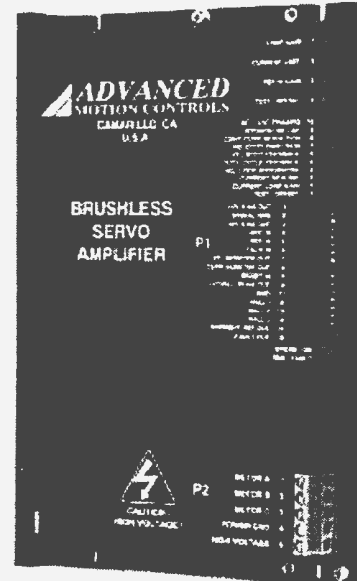


B30A SERIES BRUSHLESS SERVO AMPLIFIERS

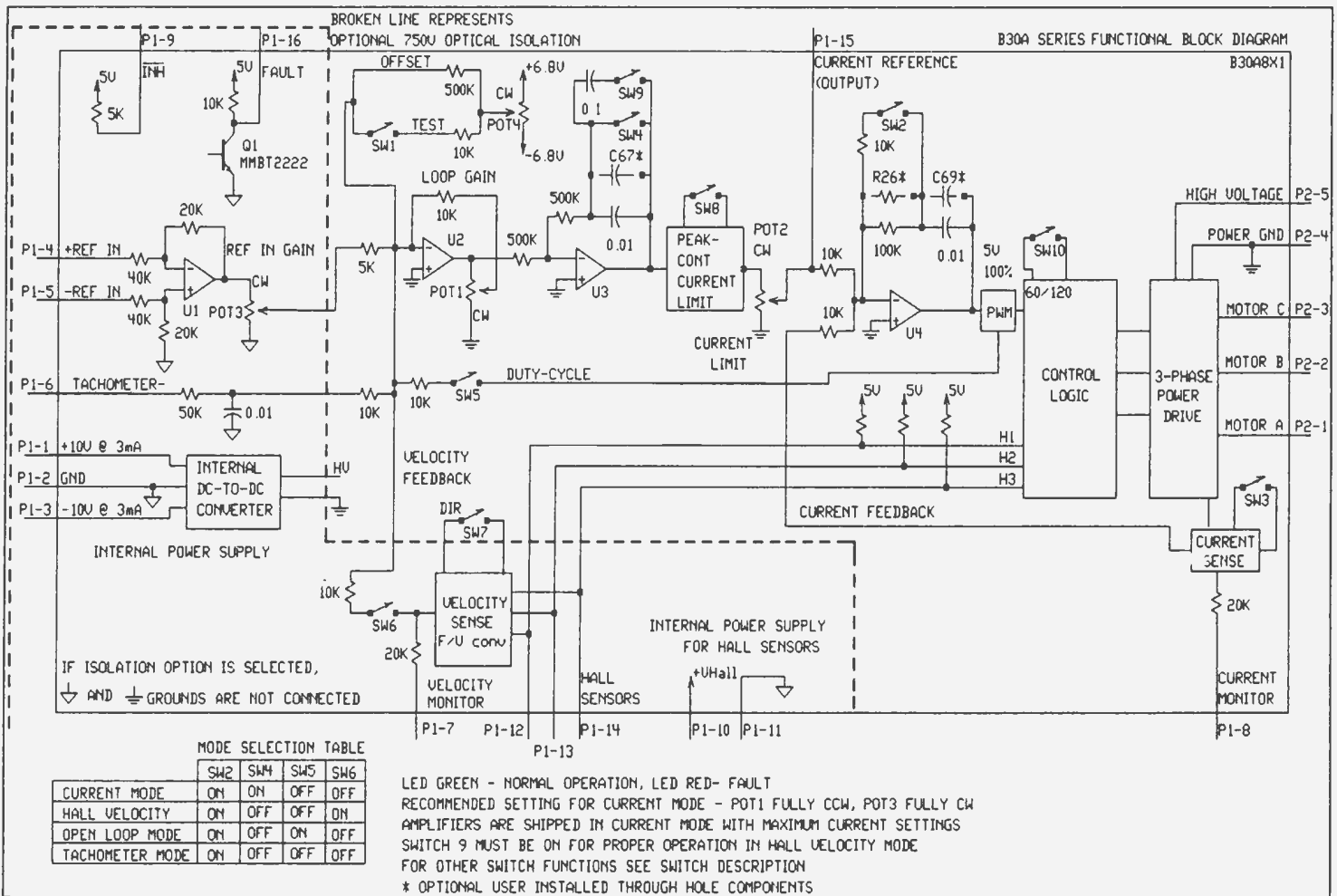
Models: B30A8, B25A20, B40A8, B40A20

FEATURES:

- Surface-mount technology
- Small size, low cost, ease of use
- Optional input signal isolation
- DIP switch selectable modes: current, open loop, tachometer, or HALL velocity
- Four quadrant regenerative operation
- Agency Approvals:



BLOCK DIAGRAM:



B30A Series

DESCRIPTION: The B30A Series PWM servo amplifiers are designed to drive brushless DC motors at a high switching frequency. They are fully protected against over-voltage, over-current, over-heating and short-circuits. All models interface with digital controllers or can be used as stand-alone drives. They require only a single unregulated DC power supply. A single red/green LED indicates operating status. Loop gain, current limit, input gain and offset can be adjusted using 14-turn potentiometers. The offset adjusting potentiometer can also be used as an on-board input signal for testing purposes when SW1 (DIP switch) is ON.

SPECIFICATIONS:

POWER STAGE SPECIFICATIONS	MODELS			
	B30A8	B25A20	B40A8	B40A20
DC SUPPLY VOLTAGE	20-80 V	40-190V	20-80V	40-190 V
PEAK CURRENT (2 sec. max., internally limited)	± 30 A	± 25 A	± 40 A	± 40 A
MAX. CONT. CURRENT (internally limited)	± 15 A	± 12.5 A	± 20 A	± 20 A
MINIMUM LOAD INDUCTANCE*	200 µH	250 µH	200 µH	250 µH
SWITCHING FREQUENCY	22 kHz ±15%			
HEATSINK (BASE) TEMPERATURE RANGE	0° to +65°C, disables if >65°C			
POWER DISSIPATION AT CONTINUOUS CURRENT	60 W	125 W	80 W	200 W
OVER-VOLTAGE SHUT-DOWN (self reset)	86 V	195 V	86 V	195 V
BANDWIDTH (load dependent)	2.5 kHz			

MECHANICAL SPECIFICATIONS	
POWER CONNECTOR	Screw terminals
SIGNAL CONNECTOR	Molex connector
SIZE	7.35 x 4.40 x 1.00 inches 186.7 x 111.7 x 25.4 mm
WEIGHT	1.5 lb. 0.68 kg

* Low inductance motors require external inductors.

PIN FUNCTIONS:

CONNECTOR	PIN	NAME	DESCRIPTION / NOTES	I/O
P1	1	+10V @ 3 mA OUT	For customer use	O
	2	SIGNAL GND	Reference ground	SGND
	3	-10V @ 3 mA OUT	For customer use	O
	4	+REF IN	Differential reference input, Maximum ± 15 V, 40K input resistance	I
	5	-REF IN		
	6	-TACH IN	Tachometer input, max. ± 60 VDC, 60K input resistance	I
	7	VELOCITY MONITOR OUT	Velocity monitor, 1 V = 133 Hz HALL sensor frequency	O
	8	CURRENT MONITOR OUT	Current monitor. Models B30A8 and B25A20: when SW3 is OFF, 1 V = 2 A, when SW3 is ON, 1 V = 4 A. Models B40A8 and B40A20: when SW3 is OFF, 1 V = 4 A, when SW3 is ON, 1 V = 8 A	O
	9	INHIBIT IN	This TTL level input signal turns off all power devices of the "H" bridge when pulled to ground. This inhibit will cause a fault condition and a red LED. For inverted inhibit input, see section "G".	I
	10	+V HALL 30 mA OUT	Power for HALL sensors, short circuit protected, +6 V @ +30 mA	O
	11	GND		SGND
	12	HALL 1	HALL sensor inputs, logic levels, internal 5 K Ω pull-up. Maximum low level input is 1.5 V, minimum high level input is 3.5 V.	I
	13	HALL 2		
	14	HALL 3		
	15	CURRENT REFERENCE OUT	Monitors the input signal connected directly to the internal current amplifier. 7.25 V = max peak current. See current limit adjustment information below.	O
	16	FAULT (red LED)	TTL level output. Becomes high during output short circuit, over-voltage, over temperature, inhibit, and during power-up reset. Fault condition indicated by red LED.	O
P2	1	MOTOR A	Motor phase A connection	O
	2	MOTOR B	Motor phase B connection	O
	3	MOTOR C	Motor phase C connection	O
	4	POWER GND	Power ground	PGND
	5	HIGH VOLTAGE	DC power input	I

SWITCH FUNCTIONS:

SWITCH	FUNCTION DESCRIPTION	SETTING	
		ON	OFF
1	Test / Offset. Sensitivity of the "offset" pot. Used as an on-board reference signal in test mode.	Test	Offset
2	Current loop gain	Decrease	Increase
3	Current scaling. When OFF, increases sensitivity of current sense thus reducing both peak and continuous current limit by 50%.	100%	50%
4	Velocity loop integrator. This capacitor normally ensures "error-free" operation in velocity mode by reducing the error-signal (output of summing amplifier) to zero.	Shorts out the velocity/voltage loop integrator capacitor	Velocity/voltage loop integrator Operating
5	Internal duty-cycle feedback for open loop mode.	On	Off
6	Velocity feedback. Connects the internally generated velocity signal from HALL sensors.	On	Off
7	Velocity direction. Changes the polarity of the velocity monitor signal.		
8	Continuous current reduction. Reduces continuous current limit by 50%.	Continuous / peak current limit ratio is 50%	Continuous / peak current limit ratio is 25%
9	Integrator capacitor. Adjusts the value of the integrator capacitor in velocity mode.	Increase	Decrease
10	60/120 degree commutation phase setting	120 degree phasing	60 degree phasing

POTENTIOMETER FUNCTIONS:

POTENTIOMETER	DESCRIPTION	TURNING CW
Pot 1	Loop gain adjustment in open loop & velocity modes. Turn this pot fully ccw in current mode.	Increases loop gain
Pot 2	Current limit. It adjusts both continuous and peak current limit maintaining selected ratio (50%).	Increases current limit
Pot 3	Reference in gain. It adjusts the ratio between input signal and output variables (voltage, current, velocity).	Increases reference input gain
Pot 4	Test / Offset. Used to adjust any imbalance in the input signal or in the amplifier. When SW1 (DIP switch) is ON, the sensitivity of this pot is greatly increased thus it can be used as an on-board signal source for testing purposes. See section "G".	N/A

TEST POINTS FOR POTENTIOMETERS: See section "G".

OPERATING MODE SELECTION:

These modes can be selected by the DIP switches according to the chart in the functional block diagram:

- Current mode
- Open loop mode
- Tachometer mode
- HALL velocity mode

See section "G" for more information.

SET-UP: See section "G" for engineering and installation notes.

CURRENT LIMIT ADJUSTMENTS:

These amplifiers feature separate peak and continuous current limit adjustments. The current limit adjustment Pot 2 adjusts both peak and continuous current limit at the same time. It has 12 active turns plus 1 inactive turn at each end and is approximately linear. Thus, to adjust the current limit turn the potentiometer fully counter-clockwise, then turn clockwise to the appropriate value.

In many applications it is sufficient to use only the DIP switches for current limit adjustments. SW3 reduces both peak and continuous current limit by 50% when OFF. SW8 reduces only the continuous current limit by 50% when OFF:

SW8	CONTINUOUS / PEAK CURRENT LIMIT RATIO
ON	50%
OFF	25%

P1-15 is the input to the internal current amplifier stage. Since the output current is proportional to P1-15, the adjusted current limit can easily be observed at this pin without connecting the motor. Note that a command signal must be applied to the reference inputs to obtain a reading on P1-15. The maximum peak current value equals 7.25 V at this pin and the maximum continuous current value equals 3.63 V at this pin. If SW3=ON, peak rated amplifier current = 7.25 V. If SW3=OFF, $\frac{1}{2}$ peak rated amplifier current = 7.25 V. Example: using the B30A8 with SW3=ON, 30A=7.25V and with SW3=OFF, 15A=7.25V.

The actual current can be monitored at pin P1-8.

OPTIONAL INPUT SIGNAL ISOLATION:

750V optical input signal isolation is available for this amplifier series. It is recommended to use this option in transformer-less systems where the high voltage power is generated directly by rectifying the 120V AC line, or whenever one leg of the AC input to the power supply rectifier is grounded. All input and output signals are isolated from the power stage except CURRENT MONITOR OUT (P1-8) and CURRENT REFERENCE OUT (P1-15). P1-8 and P1-15 are referenced to POWER GND (P2-4).

B30A Series

ORDERING INFORMATION:

Models: B30A8X, B25A20X, B40A8X, B40A20X

With isolation:

Models: B30A8IX, B25A20IX, B40A8IX, B40A20IX

X indicates the current revision letter.

TYPICAL SYSTEM WIRING: See section "G".

MOUNTING DIMENSIONS: See page F-9.

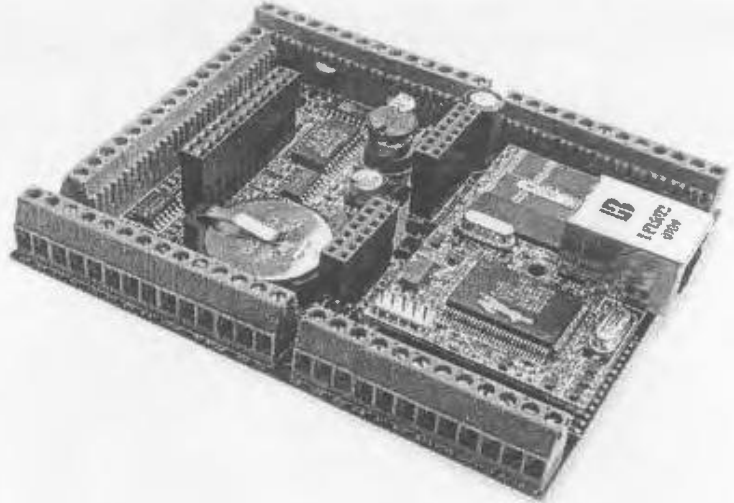


BL2100 Smartcat™

Single Board Computer

Models BL2100, BL2110, BL2120, BL2130

Designed for medium-scale control and monitoring applications, the Smartcat is a high-performance single-board computer that gives OEM designers Ethernet and keypad/display options all in one low-cost package. The Smartcat offers sinking/sourcing digital I/O with A/D and D/A, providing comprehensive integrated control capabilities in a compact 4.14" x 3.41" (105 x 87 mm) form factor. Ethernet models are ideal for remotely monitoring and supervising another programmable system or web-enabling new or existing products. The Ethernet interface is fully supported by software to enable network and Internet connectivity.



Features

- Rabbit 2000 microprocessor @ 22.1 MHz
- 40 sinking/sourcing digital I/O
- 11 A/D and 4 D/A
- 4 serial ports
- 10Base-T Ethernet with RJ-45
- Optional 512K Flash/512K SRAM
- Software support enables network connectivity, E-mail, web server
- Optional backlit 122 x 32 pixel graphic display, 7 user-releasable keys, 7 LED

Available in four flexible configurations—two with Ethernet, two without—all Smartcat models feature 40 digital I/O, 3 RS-232/485 serial ports (plus one programming port), Rabbit 2000™ microprocessor at 22.1 MHz, 7 timers, and battery-backed real-time clock. Memory configurations up to 512K Flash and 512K SRAM are available. For the most demanding applications, the BL2100 and BL2120 models include 11 channels of 12-bit resolution A/D input and 4 channels of 12-bit D/A output. The Smartcat's 16 digital push/pull outputs allow per-point sinking or sourcing, addressing the needs of both the domestic and international markets.



A 7-key, 122 x 32 graphic display is available as a cost-effective user interface. A panel-mount, water-resistant NEMA 4 version is also available. Keypad legends are easily modified using customizing printed paper inserts. User-programmable LEDs provide quick-status feedback. The entire board/display/keypad assembly mounts in an integrated plastic enclosure.

The Smartcat is available as an unenclosed printed circuit board, mounted on a plastic baseplate, in a plastic enclosure with a display, or with a panel-mounted display connected to the board with a flat cable.

Programming the Smartcat

Programs are developed using Z-World's industry-proven Dynamic C® software development system via RS-232 interface. Software libraries and a built-in converter program facilitate display of international characters, bitmap images, and graphic constructs such as circles, lines, and squares. An extensive library of drivers and sample programs is provided, along with royalty-free TCP/IP stack with source. All Smartcat models can be programmed and debugged over Ethernet/Internet using appropriate accessory hardware.

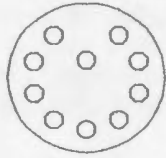
BL2100 Smartcat Specifications

Features	BL2100	BL2110	BL2120	BL2130
Microprocessor	Rabbit 2000T @ 22.1 MHz			
Ethernet Port	10Base-T, RJ-45, link and activity LEDs		None	
Flash	256K (standard)		256K	
SRAM	128K (standard)		128K	
Backup Battery	Socketed 3-V lithium coin-type, 265 mA h, supports RTC and SRAM			
Keypad/Display	See keypad/display option (below) and our "OP" products (for serial display options)			
Digital Inputs	24: protected to ± 36 V DC			
Digital Outputs	16: source/sink 200 mA each, 36 V DC max.			
Analog Inputs	11 at 1 M Ω , 12-bit resolution, ± 10 V DC up to 4,100 samples/sec.	None	11 at M Ω , 12-bit resolution, ± 10 V DC up to 4,100 samples/sec	None
Analog Outputs	Four 12-bit resolution 0-10 V DC* 0-10 V DC update rate 12 kHz	None	Four 12-bit resolution 0-10 V DC* 0-10 V DC update rate 12 kHz	None
Serial Ports	4 total: two 3-wire (or one 5-wire) RS-232, 1 RS-485, and one 5 V CMOS-compatible (programming)			
Serial Rate	Max. burst rate = CLK/32 Max. sustained rate = burst/2			
Connectors	Screw terminals support max. 14 AWG/1.5 mm ² (standard)			
Real-Time Clock	Yes			
Timers	Five 8-bit timers (four cascadable from the first) and one 10-bit timer with 2 match registers			
Watchdog/Supervisor	Yes			
Power	9-36 V DC, 1.5 W max. (without display)			
Operating Temp.	-40° to +70°C			
Humidity	5-95% non-condensing			
Board Size	4.14" x 3.41" x 0.93" (105 x 87 x 24 mm)			
Pricing (qty. 1/100)	\$339 / 298	\$249 / 219	\$299 / 263	\$209 / 184
Part Number	101-0461	101-0462	101-0463	101-0464
Starter Packages	\$539	\$449	\$499	\$409
Part Number	U.S 101-0482 Int'l 101-0483	U.S 101-0482 Int'l 101-0483	U.S 101-0482 Int'l 101-0483	U.S 101-0482 Int'l 101-0483

Keypad / Display Options

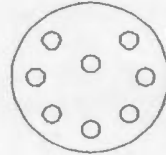
Feature	Specification
LCD Panel	122 x 32 graphic LCD in two stacked sections (with programmable backlight), relegendable keypad with 7-key / 7-LED interface.
LEDs	7 user-programmable: 1 red, 4 green, 2 yellow
Operating Temp.	0°-50°C
Board Size	3.00" x 2.60" x 0.75" (76 x 66 x 19 mm)
Enclosure Size	5.600" x 4.875" x 1.500" (142 x 124 x 38 mm)

CPCPP PORT PINOUT



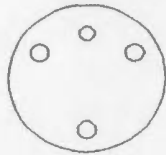
RABBIT PROG. PORT

- 1.) RXA
- 2.) GND
- 3.) CLKA
- 4.) VCC
- 5.) /RESET
- 6.) TXA
- 7.) N.C.
- 8.) STATUS
- 9.) SMODE0
- 10.) SMODE1



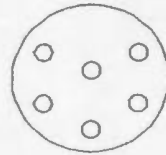
TCP/IP CONTROL PORT

- 1.) TX+
- 2.) TX-
- 3.) RX+
- 4.) N.C.
- 5.) N.C.
- 6.) RX-
- 7.) N.C.
- 8.) N.C.



MAIN MOTOR POWER

- 1.) +24VDC
- 2.) GND
- 3.) -24VDC



CONTROL SYSTEM POWER

- 1.) +12VDC
- 2.) ANALOG GND
- 3.) -12VDC
- 4.) +5VDC
- 5.) +24VDC
- 6.) DIGITAL GND

Appendix D – Load Cell Mounting



**JR3 FORCE-MOMENT SENSOR
CALIBRATION and TEST CERTIFICATE**

JR3, Inc.
22 Harter Avenue
Woodland, CA 95776

(530) 661-3677
Fax (530) 661-3701
e-mail: jr3@jr3.com

Multi-Axis Load Cell Technologies

JR3 Sensor Model **45E15A-I63 50L350S** Ser. No. **2885**
Nominal Diameter: 4.50 inches Nom. Height: 1.50 inches Nom. Weight: 1.8 lb

	Electrical Load Settings	Sensor Load Ratings	Calibration Loads used
Fx	50.0 lbs	150.0 lbs	50.0 lbs
Fy	50.0 lbs	150.0 lbs	50.0 lbs
Fz	300.0 lbs	300.0 lbs	300.0 lbs
Mx	350.0 in-lbs	675.0 in-lbs	330.0 in-lbs
My	350.0 in-lbs	675.0 in-lbs	330.0 in-lbs
Mz	500.0 in-lbs	675.0 in-lbs	550.0 in-lbs

Date of Manufacture: May 31, 2004

Calibration Date: June 1, 2004

Final Inspection:

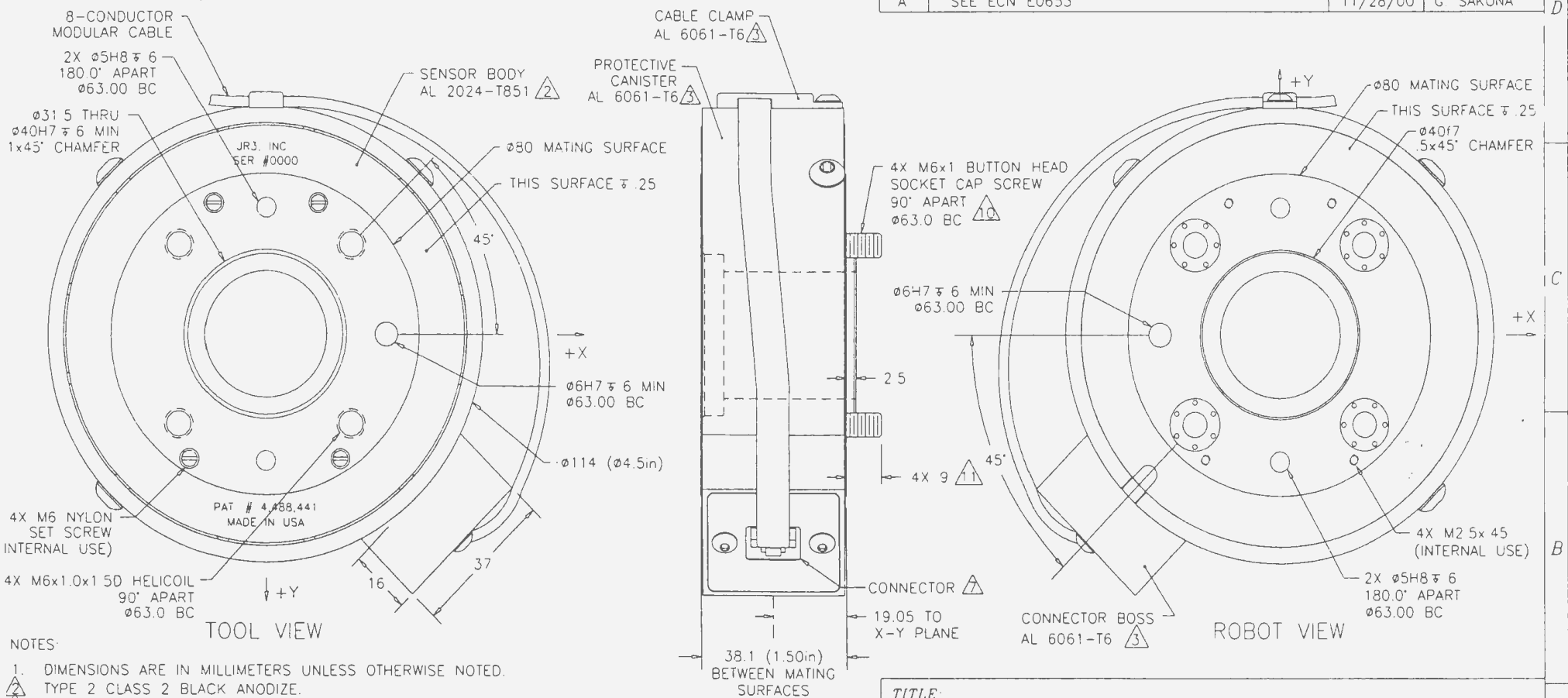
Calibration Matrix	<u>✓</u>
Axis Orientation	<u>✓</u>
Units are lb & inlb	<u>✓</u>
Hardware Correct	<u>✓</u>
Label Correct	<u>✓</u>
Functional Test	<u>✓</u>

Inspection Date June 2, 2004

Inspector Initial MS/JK

8 7 6 5 4 3 2 1

REVISIONS			
REV	DESCRIPTION	DATE	APPROVED
-	INITIAL RELEASE	06/29/00	G. SAKONA
A	SEE ECN E0653	11/28/00	G. SAKONA



- NOTES:
- DIMENSIONS ARE IN MILLIMETERS UNLESS OTHERWISE NOTED.
 - TYPE 2 CLASS 2 BLACK ANODIZE.
 - TYPE 2, CLASS 2, BLUE ANODIZE.
 - AVAILABLE LOAD RATINGS INCLUDE: 50, 75, 100, 150 AND 250lb, WHERE:
 FULL SCALE Fx, Fy = SENSOR RATING
 FULL SCALE Fz = SENSOR RATING * 2
 FULL SCALE Mx, My, Mz = SENSOR RATING * NOMINAL DIAMETER (4.5in)
 - AXES SHOWN ASSUME OPPOSITE SIDE HELD FIXED.
 - ROBOT VIEW IS RIGHT HAND RULE (JR3 STANDARD). THIS FORCES TOOL VIEW TO BE LEFT HAND RULE.
 - CONNECTOR IS 8 PIN MODULAR FEMALE.
 - TORQUE MOUNTING SCREWS TO 10Nm (88inlb) IN 3 EQUAL STEPS, FOLLOWING AN ACBD SEQUENCE.
 - MAXIMUM ALLOWED PENETRATION OF MOUNTING SCREWS INTO SENSOR TOOL SIDE IS 12mm (.50in).
 - SCREWS ARE CAPTIVE, FREE TO ROTATE, AND ACCESSIBLE WITH HEX KEY THRU SENSOR TOOL SIDE.
 - LENGTH OF CAPTIVE BOLT PROJECTION MAY BE ALTERED PER CUSTOMER REQUEST.

TITLE:
 INTERFACE, 45E15 SENSOR, 163 BOLT PATTERN, DIGITAL

MAT'L: AS SHOWN	MODEL: 45E15A-163-D	DRAWN: GCS	
DEFAULT TOLERANCES:		SCALE: 1/1 AND NOTED	
LINEAR:	X = ± 25 mm X = ± 10 mm XX = ± 025 mm	DWG SIZE: B	
ANGULAR:	X = ± 0.25 ' X = ± 0.10 '	DWG NO. 4881	REV. A
JR3, INC. WOODLAND, CA 95776		SHEET 1 OF 1	

AUTHORIZED COPY

8 7 6 5 4 3 2 1

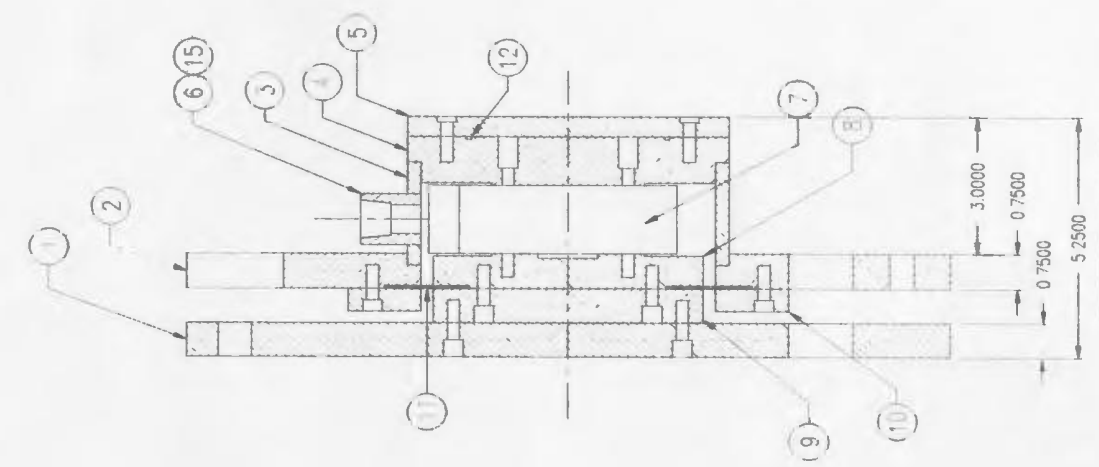
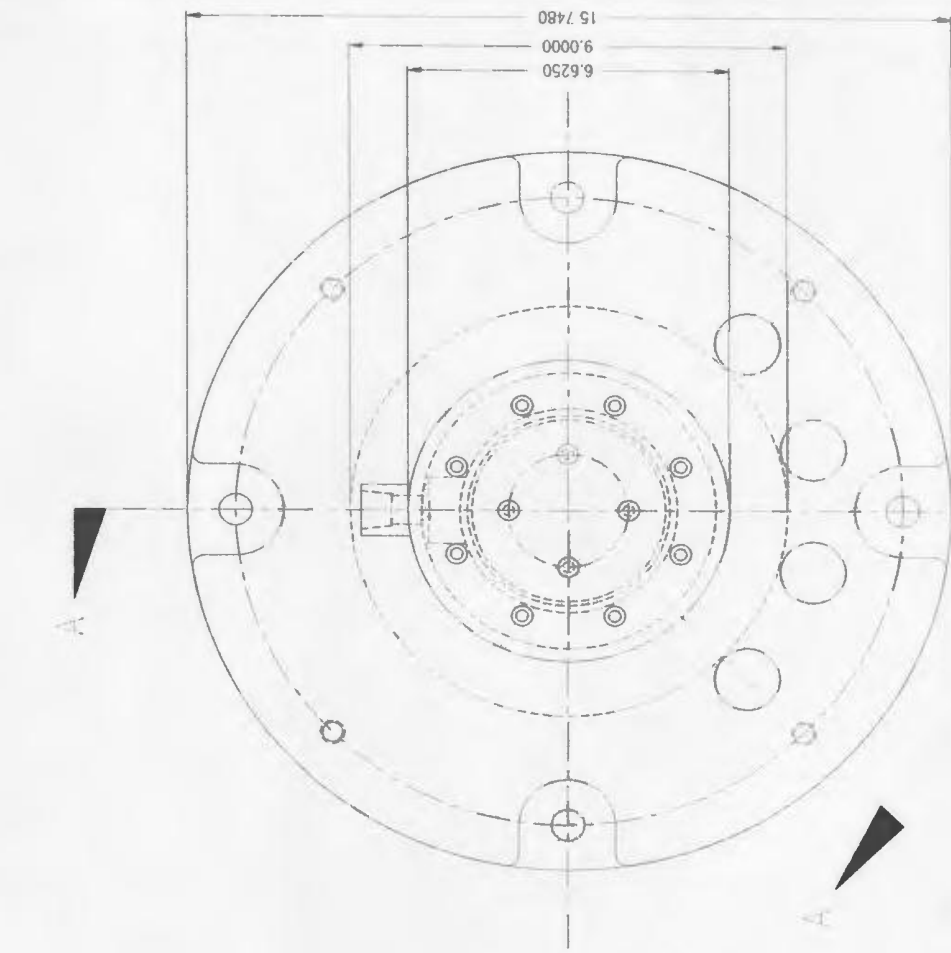
QTY	PART NO.	PART	DESCRIPTION	UNITS	WEIGHT	REMARKS
1	1	FLANGE	1/2" THK. 18" DIA. 18" BORE	18"	1.00	
2	2	FRONT COUPLER	1/2" THK. 18" DIA. 18" BORE	18"	1.00	
3	3	WHEEL	1/2" THK. 18" DIA. 18" BORE	18"	1.00	
4	4	TOP CAP	1/2" THK. 18" DIA. 18" BORE	18"	1.00	
5	5	FRONT COVER	1/2" THK. 18" DIA. 18" BORE	18"	1.00	
6	6	FRONT COVER	1/2" THK. 18" DIA. 18" BORE	18"	1.00	
7	7	FRONT COVER	1/2" THK. 18" DIA. 18" BORE	18"	1.00	
8	8	FRONT COVER	1/2" THK. 18" DIA. 18" BORE	18"	1.00	
9	9	FRONT COVER	1/2" THK. 18" DIA. 18" BORE	18"	1.00	
10	10	FRONT COVER	1/2" THK. 18" DIA. 18" BORE	18"	1.00	
11	11	FRONT COVER	1/2" THK. 18" DIA. 18" BORE	18"	1.00	
12	12	FRONT COVER	1/2" THK. 18" DIA. 18" BORE	18"	1.00	
13	13	FRONT COVER	1/2" THK. 18" DIA. 18" BORE	18"	1.00	
14	14	FRONT COVER	1/2" THK. 18" DIA. 18" BORE	18"	1.00	
15	15	FRONT COVER	1/2" THK. 18" DIA. 18" BORE	18"	1.00	
16	16	FRONT COVER	1/2" THK. 18" DIA. 18" BORE	18"	1.00	
17	17	FRONT COVER	1/2" THK. 18" DIA. 18" BORE	18"	1.00	
18	18	FRONT COVER	1/2" THK. 18" DIA. 18" BORE	18"	1.00	
19	19	FRONT COVER	1/2" THK. 18" DIA. 18" BORE	18"	1.00	
20	20	FRONT COVER	1/2" THK. 18" DIA. 18" BORE	18"	1.00	
21	21	FRONT COVER	1/2" THK. 18" DIA. 18" BORE	18"	1.00	
22	22	FRONT COVER	1/2" THK. 18" DIA. 18" BORE	18"	1.00	
23	23	FRONT COVER	1/2" THK. 18" DIA. 18" BORE	18"	1.00	
24	24	FRONT COVER	1/2" THK. 18" DIA. 18" BORE	18"	1.00	
25	25	FRONT COVER	1/2" THK. 18" DIA. 18" BORE	18"	1.00	
26	26	FRONT COVER	1/2" THK. 18" DIA. 18" BORE	18"	1.00	
27	27	FRONT COVER	1/2" THK. 18" DIA. 18" BORE	18"	1.00	
28	28	FRONT COVER	1/2" THK. 18" DIA. 18" BORE	18"	1.00	
29	29	FRONT COVER	1/2" THK. 18" DIA. 18" BORE	18"	1.00	
30	30	FRONT COVER	1/2" THK. 18" DIA. 18" BORE	18"	1.00	
31	31	FRONT COVER	1/2" THK. 18" DIA. 18" BORE	18"	1.00	
32	32	FRONT COVER	1/2" THK. 18" DIA. 18" BORE	18"	1.00	
33	33	FRONT COVER	1/2" THK. 18" DIA. 18" BORE	18"	1.00	
34	34	FRONT COVER	1/2" THK. 18" DIA. 18" BORE	18"	1.00	
35	35	FRONT COVER	1/2" THK. 18" DIA. 18" BORE	18"	1.00	
36	36	FRONT COVER	1/2" THK. 18" DIA. 18" BORE	18"	1.00	
37	37	FRONT COVER	1/2" THK. 18" DIA. 18" BORE	18"	1.00	
38	38	FRONT COVER	1/2" THK. 18" DIA. 18" BORE	18"	1.00	
39	39	FRONT COVER	1/2" THK. 18" DIA. 18" BORE	18"	1.00	
40	40	FRONT COVER	1/2" THK. 18" DIA. 18" BORE	18"	1.00	
41	41	FRONT COVER	1/2" THK. 18" DIA. 18" BORE	18"	1.00	
42	42	FRONT COVER	1/2" THK. 18" DIA. 18" BORE	18"	1.00	
43	43	FRONT COVER	1/2" THK. 18" DIA. 18" BORE	18"	1.00	
44	44	FRONT COVER	1/2" THK. 18" DIA. 18" BORE	18"	1.00	
45	45	FRONT COVER	1/2" THK. 18" DIA. 18" BORE	18"	1.00	
46	46	FRONT COVER	1/2" THK. 18" DIA. 18" BORE	18"	1.00	
47	47	FRONT COVER	1/2" THK. 18" DIA. 18" BORE	18"	1.00	
48	48	FRONT COVER	1/2" THK. 18" DIA. 18" BORE	18"	1.00	
49	49	FRONT COVER	1/2" THK. 18" DIA. 18" BORE	18"	1.00	
50	50	FRONT COVER	1/2" THK. 18" DIA. 18" BORE	18"	1.00	

Notes:

1. ALL DIMENSIONS IN INCHES UNLESS SPECIFIED

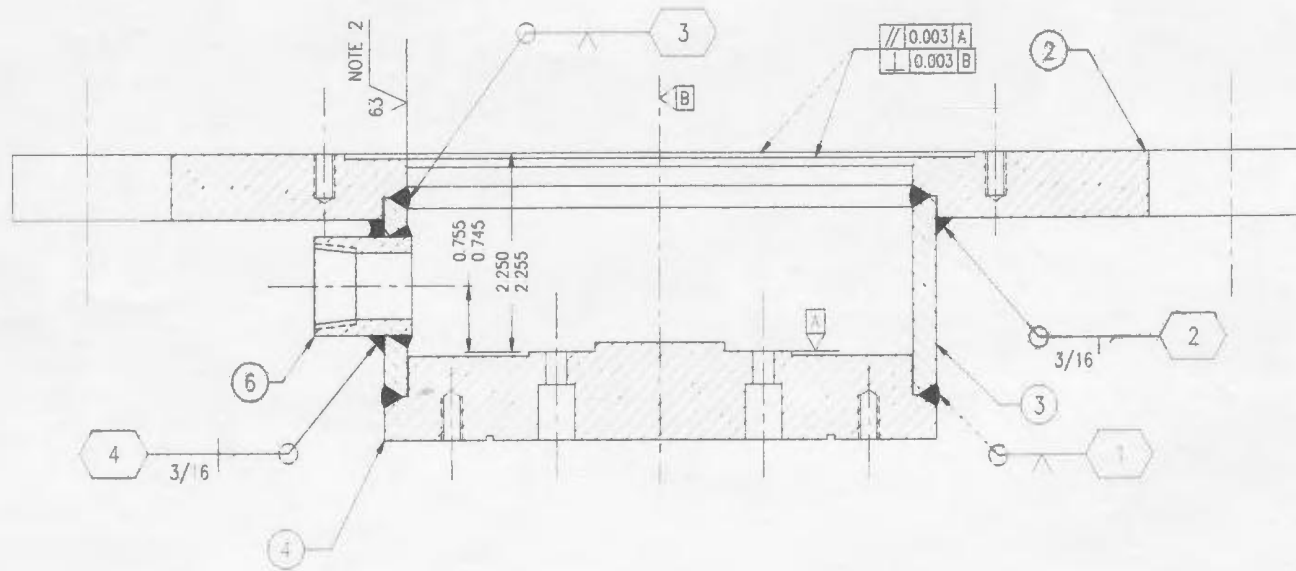
MEMORIAL UNIVERSITY OF NEWFOUNDLAND
 DEPARTMENT OF CIVIL ENGINEERING
 ST. JOHN'S, NEWFOUNDLAND

DATE: 08/12/03
 DRAWN BY: [Blank]
 CHECKED BY: [Blank]
 PROJECT NO.: [Blank]
 SHEET NO.: [Blank] OF [Blank]



PLAN VIEW

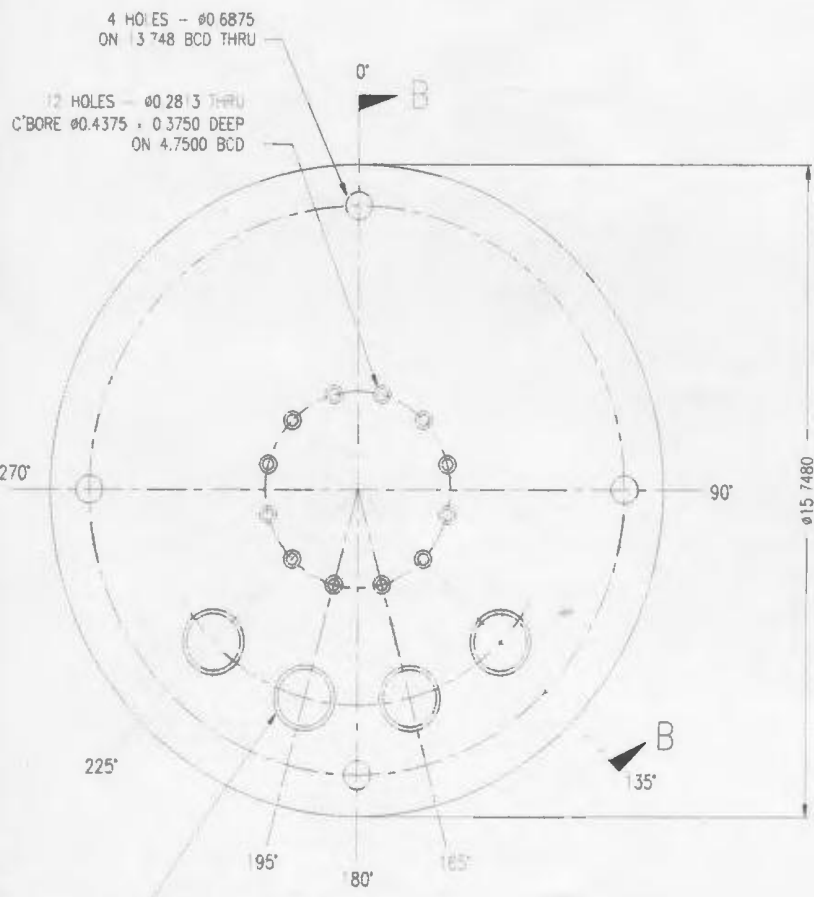
SECTION A-A



Notes:

1. ALL DIMENSIONS IN INCHES UNLESS SPECIFIED
2. BORE TO BE CLEANUP MACHINED AFTER WELDING
3. NOZZLE TO BE ORIENTED AT 0° WITH RESPECT TO PART 2

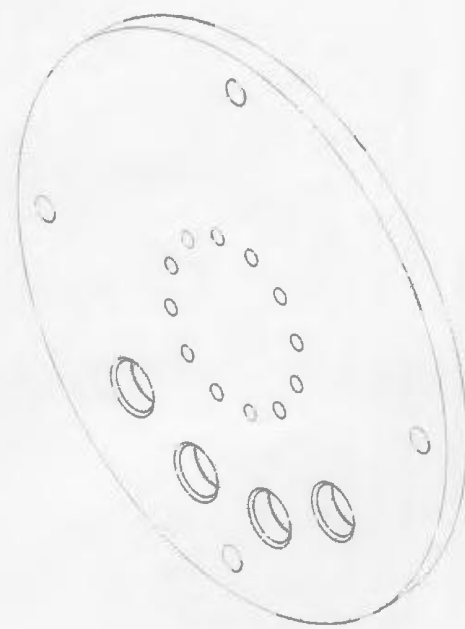
APPROVED FOR APPROVAL	DATE	09/11/01
MEMORIAL UNIVERSITY OF NEWFOUNDLAND	ST. JOHN'S, N.L. CANADA	
PROJECT	NOZZLE MOUNTING ADAPTER	
SCALE	1:1	
DATE	09/11/01	
PROJECT	NOZZLE MOUNTING ADAPTER	
DATE	09/11/01	



PLAN VIEW

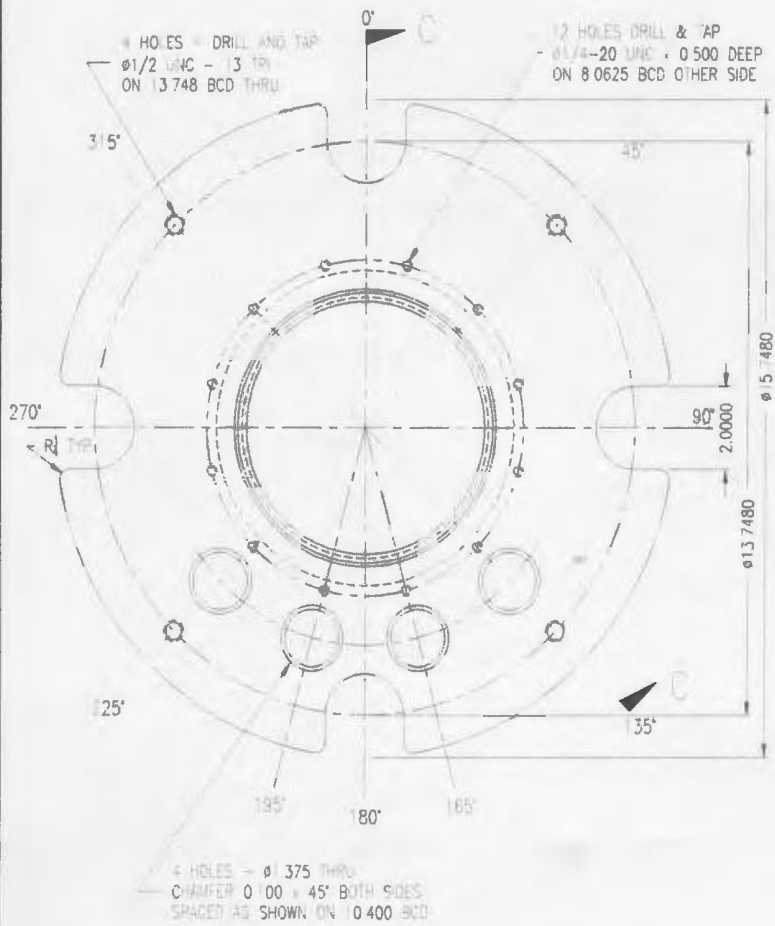


SECTION B-B

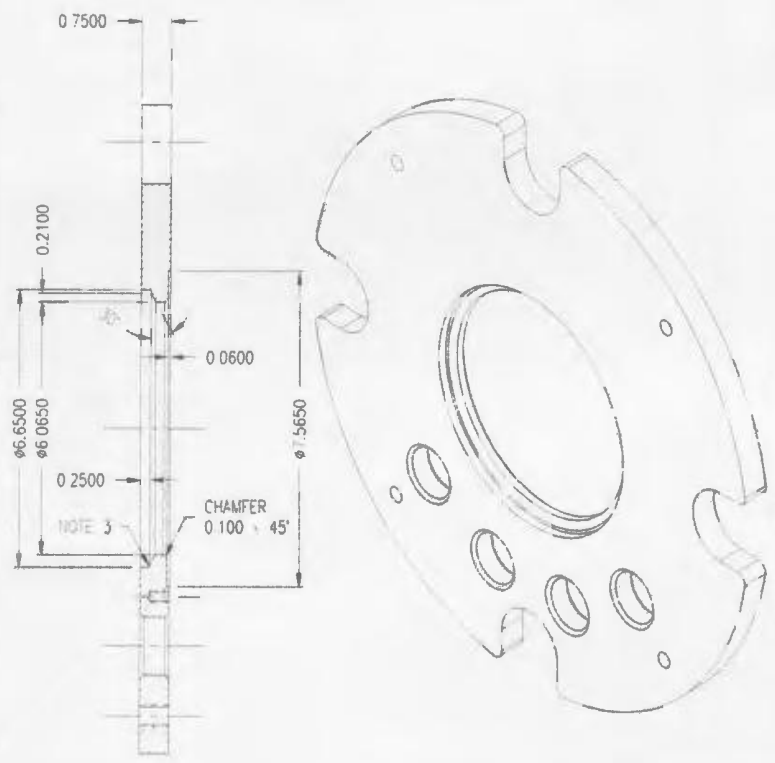


- Notes:**
1. ALL DIMENSIONS IN INCHES UNLESS SPECIFIED
 2. ALL MACHINED SURFACES TO BE 63 MICRONS UNLESS OTHERWISE SPECIFIED

DESIGNED BY		CHECKED BY		DATE	
DRAWN BY		APPROVED BY		DATE	
MEMORIAL UNIVERSITY OF NEWFOUNDLAND					
ST. JOHN'S, N.L. CANADA					
NO. OF	REV.	DATE	BY	REASON	APPROVED BY
1	1			LOAD CELL MOUNTING ADAPTER	
PART 1 - DETAIL					
SCALE	1:1	NO. OF SHEETS	2	SHEET NO.	1 OF 2
PROJECT NO.		DATE	BY	DATE	BY
150-40-00000		1997	0	01	200
PROJECT NAME		DRAWING NO.		SCALE	
150-40-00000		150-40-00000		1:1	



PLAN VIEW

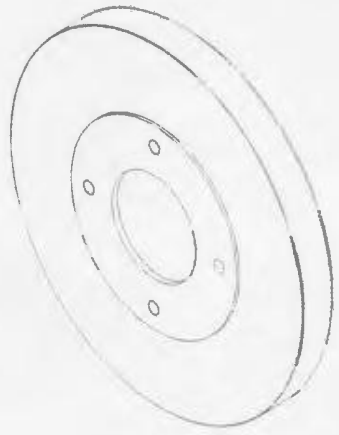
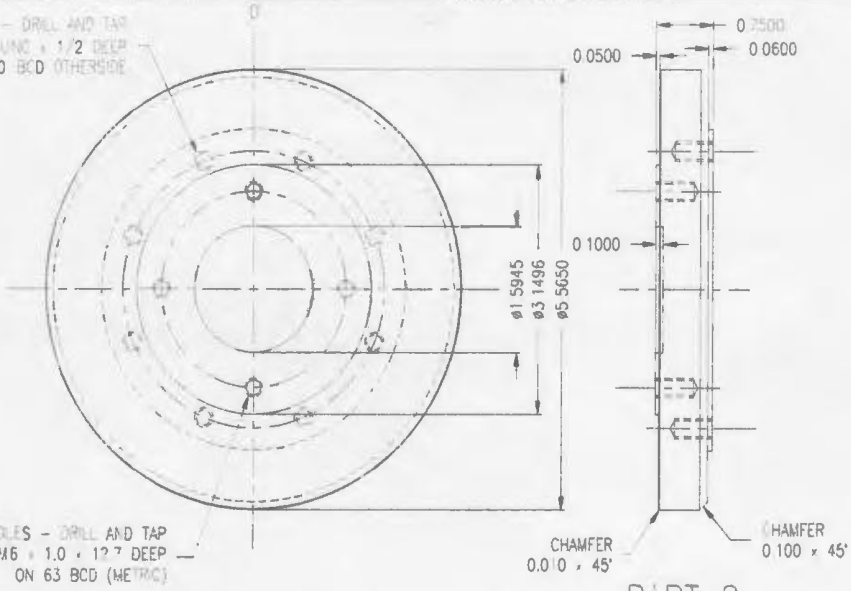


SECTION C-C

- Notes:**
1. ALL DIMENSIONS IN INCHES UNLESS SPECIFIED
 2. ALL MACHINED SURFACES TO BE 63 MICRONS UNLESS OTHERWISE SPECIFIED
 3. MACHINE THIS STEP FIRST IN PREPARATION FOR WELDING MACHINE REMAINING FEATURES AFTER WELDING COMPLETE

DESIGNED BY	APPROVED BY	DATE	REV
MEMORIAL UNIVERSITY OF NEWFOUNDLAND	ST. JOHN'S, N.L. CANADA		
PART 2 - DETAIL		PAGE 4 OF 8	

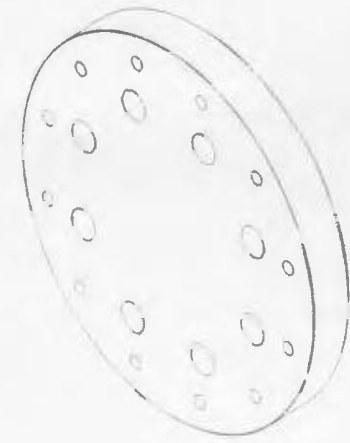
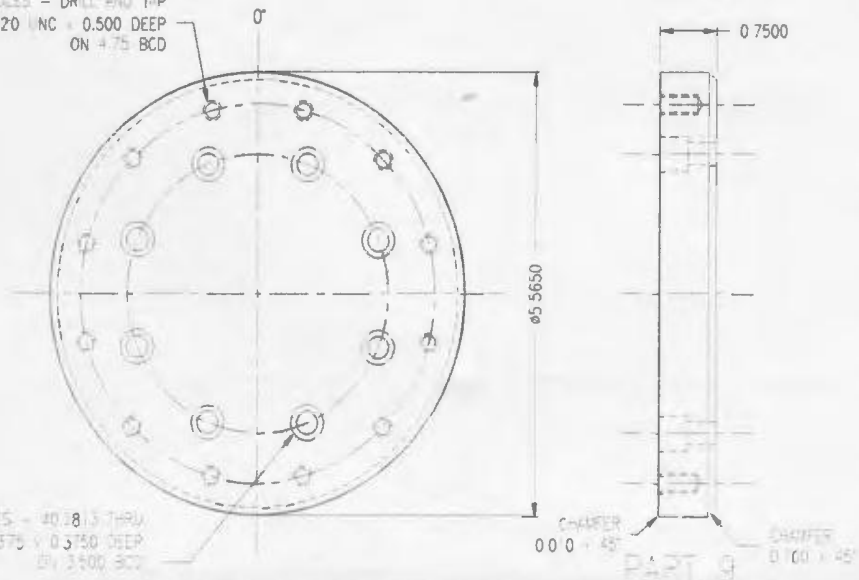
8 HOLES - DRILL AND TAP
 $\phi 1/4$ -20 UNC x 1/2 DEEP
 ON 3.500 BCD OTHERWISE



PART 8

4 HOLES - DRILL AND TAP
 M6 x 1.0 x 12.7 DEEP
 ON 63 BCD (METRIC)

12 HOLES - DRILL AND T-P
 $\phi 1/4$ -20 UNC x 0.500 DEEP
 ON 4.75 BCD



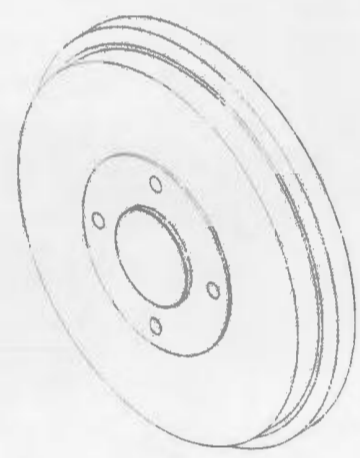
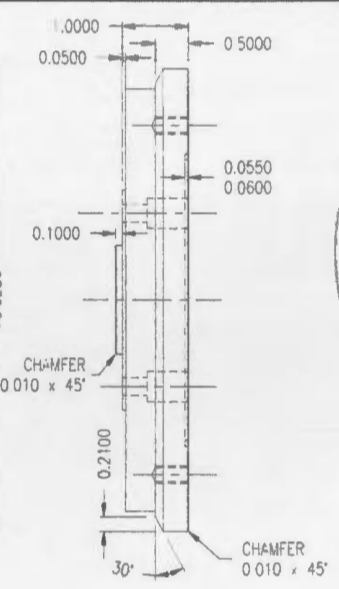
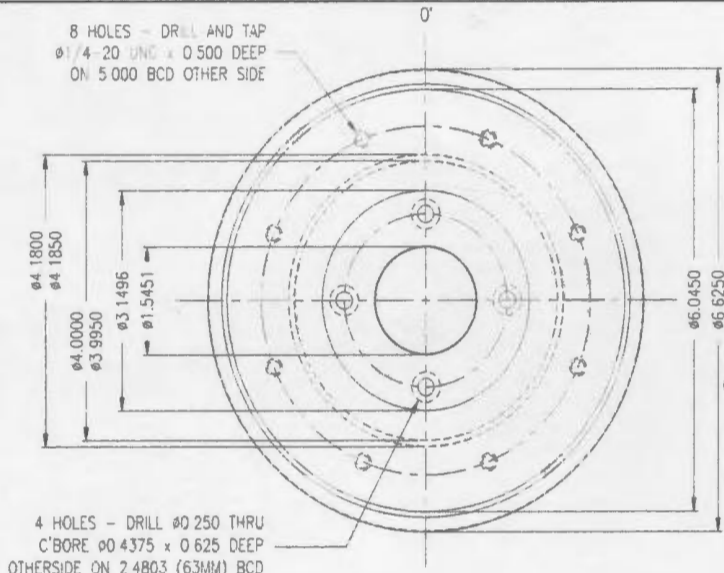
PART 9

8 HOLES - $\phi 0.815$ THRU
 CORE $\phi 0.4575$ x 0.3750 DEEP
 ON 3.500 BCD

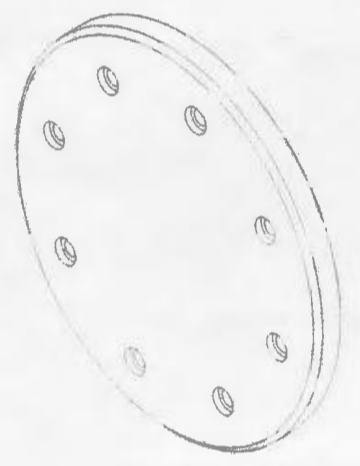
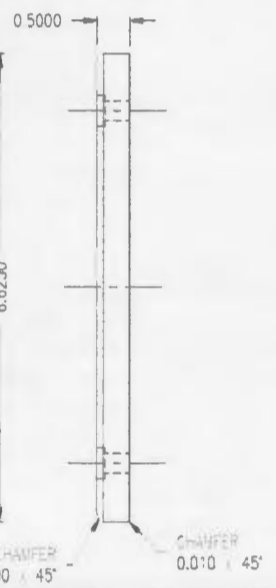
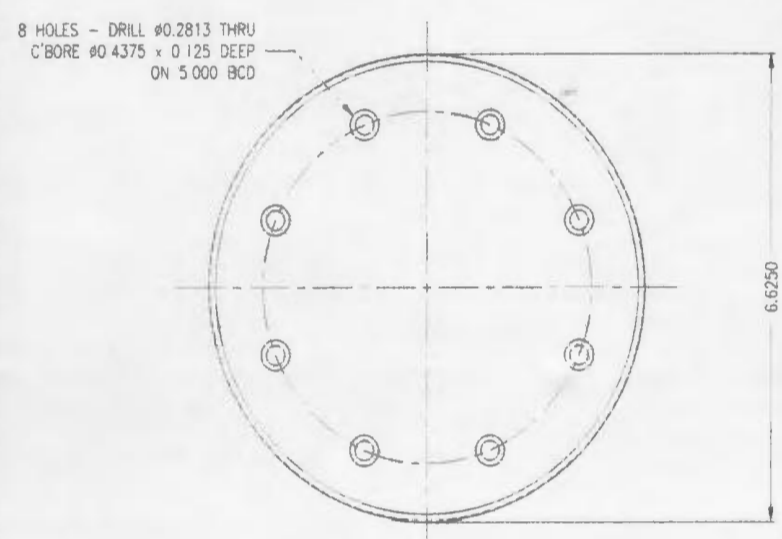
Notes:

1. ALL DIMENSIONS IN INCHES UNLESS SPECIFIED
2. ALL MACHINED SURFACES TO BE 63 MICROROUGH UNLESS OTHERWISE SPECIFIED

ISSUED FOR APPROVAL	DATE	BY
REVISED	DATE	BY
MEMORIAL UNIVERSITY OF NEWFOUNDLAND ST. JOHN'S, NL, CANADA		
DESIGNED BY	DATE	BY
DRAWN BY	DATE	BY
CHECKED BY	DATE	BY
APPROVED BY	DATE	BY
C-2501-411-PROJECT		
M.L.C. TECH. PROJECTS		



PART 4



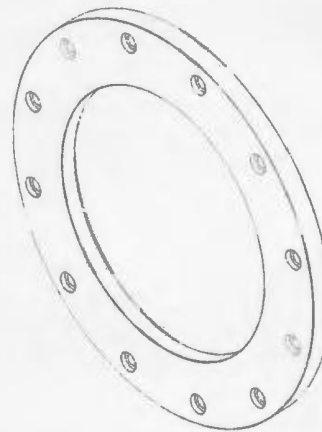
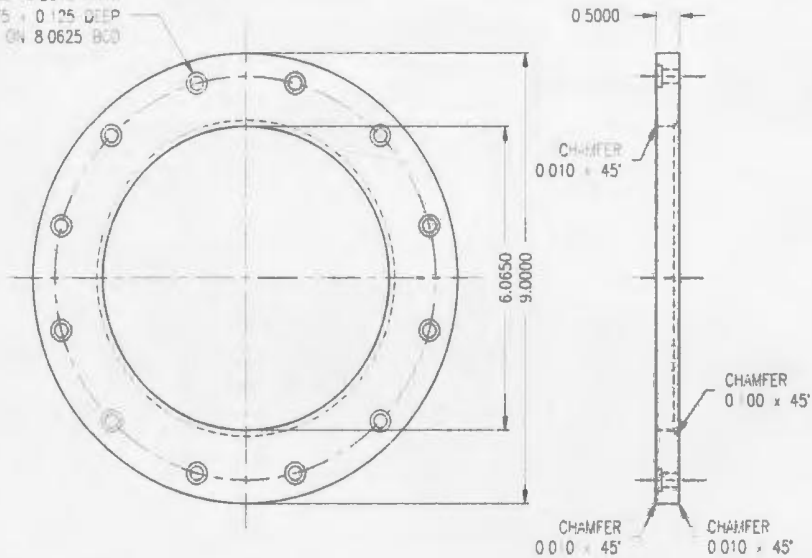
PART 5

Notes:

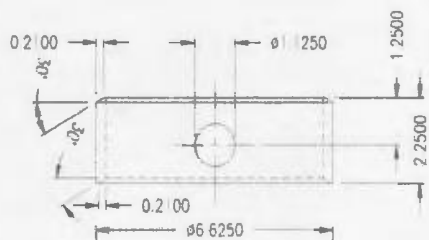
1. ALL DIMENSIONS IN INCHES UNLESS SPECIFIED
2. ALL MACHINED SURFACES TO BE 63 MICROINCH UNLESS OTHERWISE SPECIFIED

DESIGNER	DATE	SCALE	REV.
MEMORIAL UNIVERSITY OF NEWFOUNDLAND			
ST. JOHN'S, N.L. CANADA			
C-SCOUT AIR PROJECT		CPPH0006	

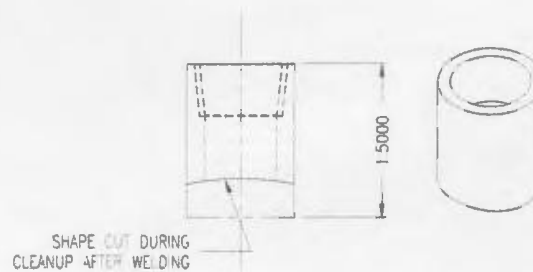
8 HOLES - DRILL $\phi 0.2813$ THRU
 C-BORE $\phi 0.4375 \pm 0.125$ DEEP
 ON 8.0625 BCD



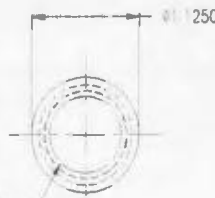
PART 5



PART 3



SHAPE CUT DURING
 CLEANUP AFTER WELDING



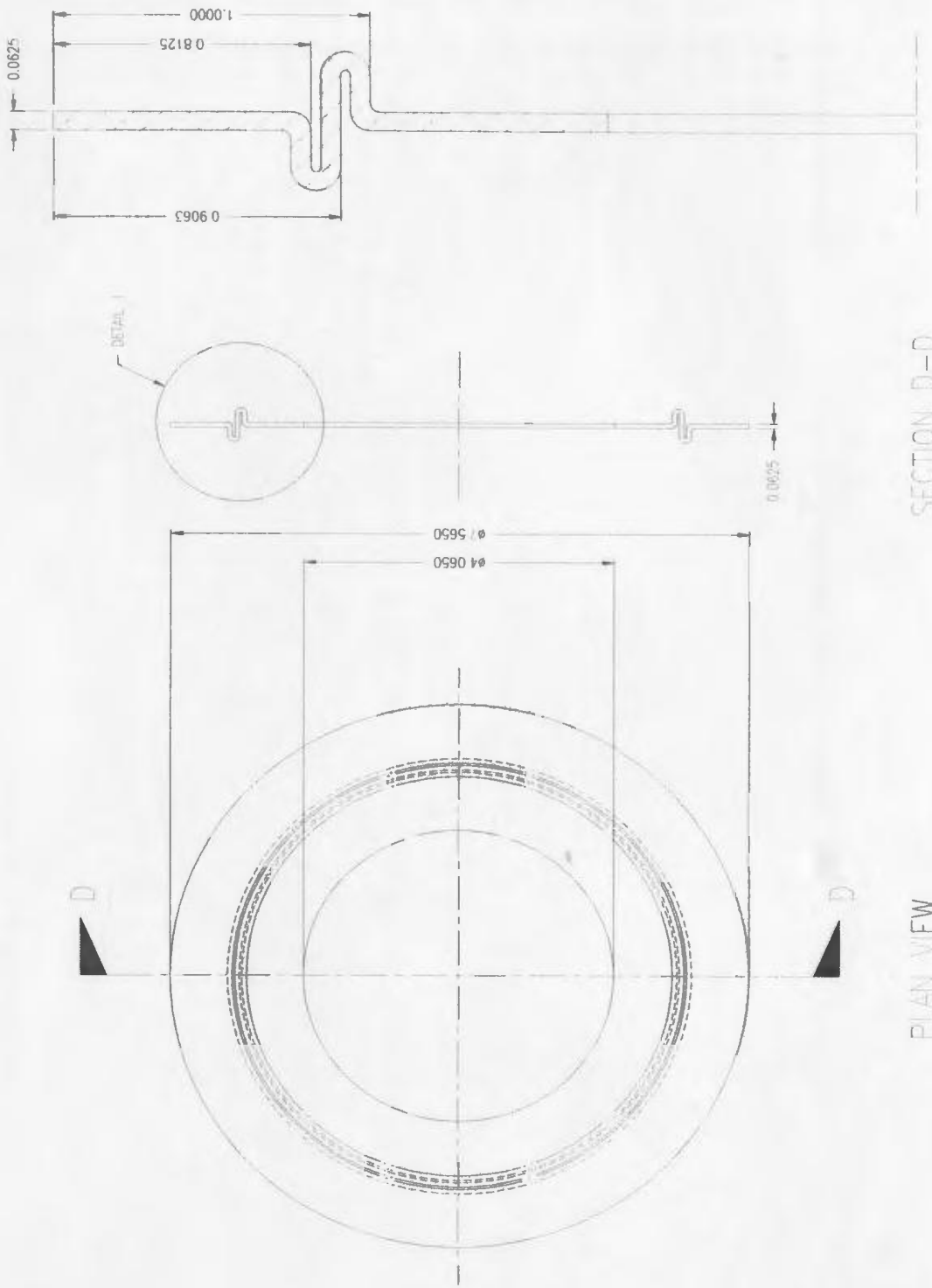
DRILL $\phi 0.625$ THRU
 DRILL AND TAP $\phi 1/2$ NPT
 OTHERSIDE

PART 6

Notes:

- 1 ALL DIMENSIONS IN INCHES UNLESS SPECIFIED
- 2 ALL MACHINED SURFACES TO BE 63 MICRORACH UNLESS OTHERWISE SPECIFIED

REV	NO	DATE	DESCRIPTION	BY	CHKD
A	1		ISSUED AND APPROVAL		
MEMORIAL UNIVERSITY OF NEWFOUNDLAND					
ST. JOHN'S, N.L. CANADA					
DATE	BY	APP'D	DESCRIPTION	DATE	BY
			ISSUED FOR MANUFACTURING		
			PART 3, PART 5 AND PART 6 DETAILS		



PLAN VIEW

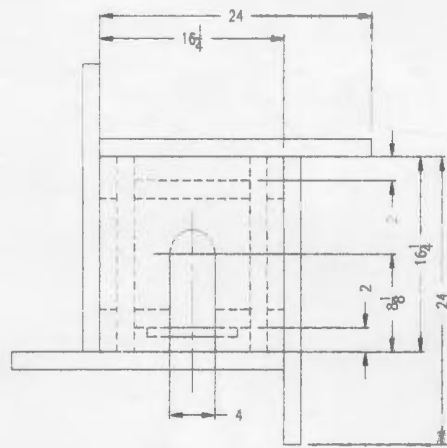
SECTION D-D

DETAIL

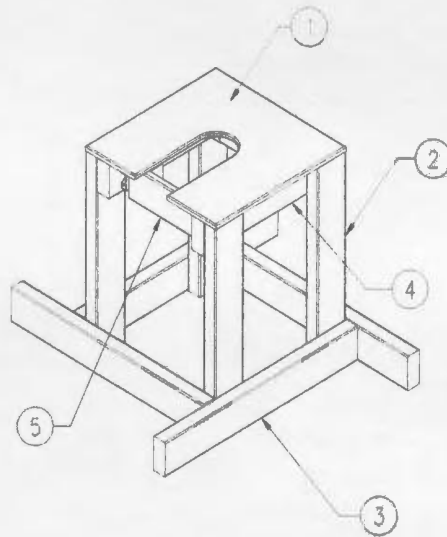
Notes:

1. ALL DIMENSIONS IN INCHES UNLESS SPECIFIED
2. ALL MACHINED SURFACES TO BE 163
3. FINISH UNLESS OTHERWISE SPECIFIED
4. PART TO BE EXTERNALLY SOURCED

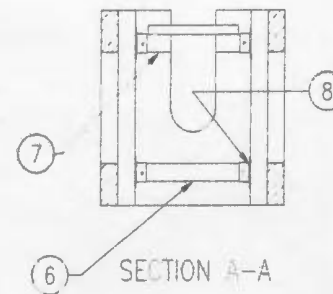
DESIGNED BY		DATE	
DRAWN BY		DATE	
CHECKED BY		DATE	
APPROVED BY		DATE	
MEMORIAL UNIVERSITY OF NEWFOUNDLAND			
ST. JOHN'S, NL CANADA			
PROJECT NO.		GAD 1111 (REVISED)	
SHEET NO.		SHEET 1 OF 1	
SCALE		AS SHOWN	
DATE		2011-03-10	
BY		C. J. COOPER	



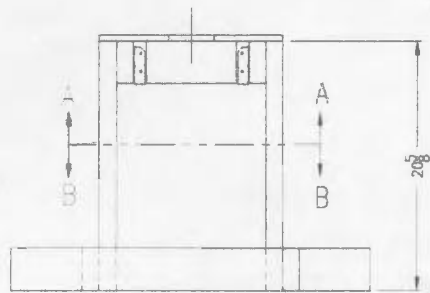
PLAN VIEW



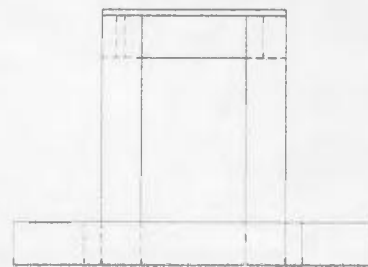
PART 9 - CLEAT



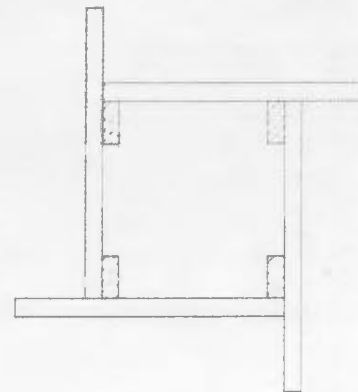
SECTION A-A



FRONT VIEW



RIGHT SIDE VIEW



SECTION B-B

MATERIAL SPECIFICATIONS

Part No.	Part	Qty	Description	Grade	Lib	Heat No.
1	TOP	1	PLYWOOD 1/2 THK x 6 1/4 SQ	WOOD		
2	LEG	4	BOARD 2 x 4 x 20 5/8 LG	WOOD		
3	B-BASE	4	BOARD 2 x 4 x 25 LG	WOOD		
4	BRACE	2	BOARD 2 x 4 x 10 1/4 LG	WOOD		
5	STOP	1	BOARD 1 x 4 x 8 LG (REMOVABLE)	WOOD		
6	BRACE	1	BOARD 2 x 4 x 10 1/4 LG	WOOD		
7	BRACE	2	BOARD 2 x 4 x 3 1/8 LG	WOOD		
8	HANGER	4	JOIST HANGER 2 x 4	STEEL		
9	CLEAT	4	BOARD 2 x 4 LG	WOOD		
10	SCREWS	25	ROBERTSON SCREW #8 x 2 1/2 LG	STEEL		
11	SCREWS	50	ROBERTSON SCREW #8 x 1 1/4 LG	STEEL		

- Notes:**
- 1) ALL DIMENSIONS IN INCHES
 - 2) BREAK ALL SHARP EDGES
 - 3) PART 5 MUST BE REMOVABLE. (SECURE WITH SCREWS ONLY)
 - 4) C'SINK ALL SCREWS IN PART 1
 - 5) PART 9 TO BE FIT AFTER ASSEMBLY

0 ISSUED FOR FABRICATION

REV. 05/11/76

DESCRIPTION

BY

TEST STAND DRAWING

MEMORIAL UNIVERSITY OF NEWFOUNDLAND

ST. JOHN'S, N.L. CANADA

DATE: 1976

SCALE: 1/2" = 1"

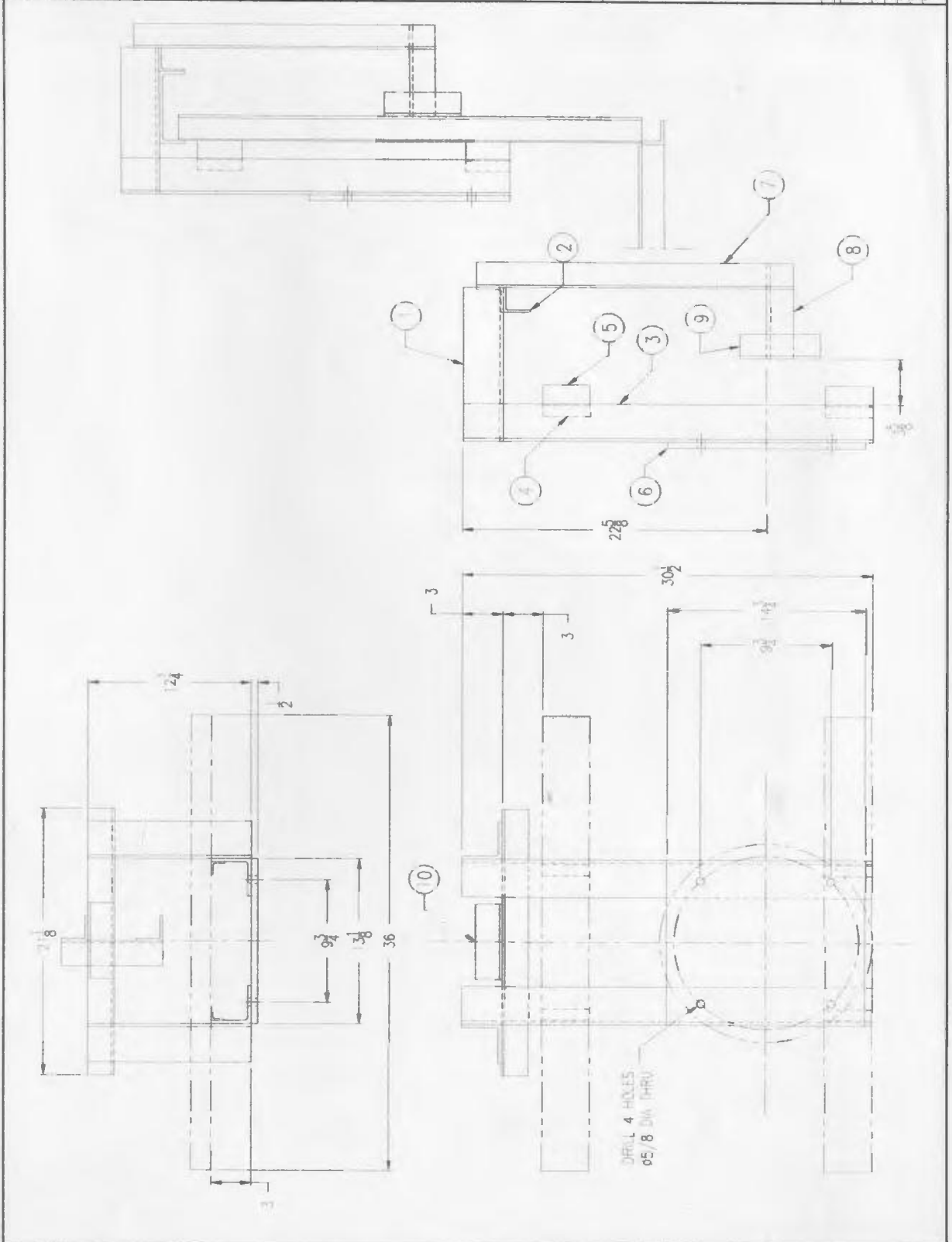
FOR: CIVIL ENGINEERING DEPT.

DATE: 1976

PROJECT: 0

MATERIAL SPECIFICATIONS

Part No.	Part	Qty.	Dimensions	Grade	Notes
1	ANGLE	1	3" x 3" x 1/4"	A36	
2	ANGLE	2	3" x 3" x 1/4"	A36	
3	ANGLE	2	3" x 3" x 1/4"	A36	
4	ANGLE	4	3" x 3" x 1/4"	A36	
5	PLATE	2	3" x 3" x 1/4"	WOOD	
6	PLATE	2	3" x 3" x 1/4"	A36	
7	PLATE	2	3" x 3" x 1/4"	A36	
8	PLATE	2	3" x 3" x 1/4"	A36	
9	PLATE	2	3" x 3" x 1/4"	A36	
10	ANGLE	1	3" x 3" x 1/4"	A36	



Notes:

1. ALL DIMENSIONS IN INCHES

