

# Designing a Dual Axis Solar Tracking System for Maximum Power

Vijayalakshmi K\*

University of Engineering and Technology, Lahore, G.T. road Lahore, Pakistan

## Abstract

The main purpose of this paper is to present a control system which will cause better alignment of Photo voltaic (PV) array with sun light and to harvest solar power. The proposed system changes its direction in two axis to trace the coordinate of sunlight by detecting the difference between position of sun and panel. Hardware testing of the proposed system is done for checking the system ability to track and follow the sunlight in an efficient way. Dual axis solar tracking system superiority over single axis solar tracking system is also presented.

**Keywords:** Solar; Tracker; Irradiance; Dual axis; DC motor; Single axis

## Introduction

Solar energy is a very large, inexhaustible source of energy. The power from the sun intercepted by the earth is approximately  $(1.8 \times 10^{11})$  MW, which is many thousands of times larger than the present consumption rate on the earth of all commercial energy sources. Problem associated with the use of solar energy is that its availability varies widely with time. The variation in availability occurs daily because of the day night cycle and also seasonally because of the earth's orbit around the sun. To rectify the problems the solar panel should be such that it always receives maximum intensity of light. It has been seen since past that the efficiency of the solar panel is around 10-15% which is not meeting the desired load requirements. So there is a need of improving the panel efficiency through an economical way. The existing tracking systems based on sensing elements, stepper motors etc. have some disadvantages of their kinds. A well designed solar tracking system overcoming all the disadvantages of the models discussed above is necessary in order to improve the efficiency of the panel in a most economical way.

## Solar tracking system

A Solar tracker is an automated solar panel which actually follows the sun to get maximum power. Even though a fixed flat-panel can be set to collect a high proportion of available noon-time energy, significant power is also available in the early mornings and late afternoons when the misalignment with a fixed panel becomes excessive to collect a reasonable proportion of the available energy. For example, even when the Sun is only  $10^\circ$  above the horizon the available energy can be around half the noon-time energy levels (or even greater depending on latitude, season, and atmospheric conditions). Thus the primary benefit of a tracking system is to collect solar energy for the longest period of the day, and with the most accurate alignment as the Sun's position shifts with the seasons.

**Types of trackers:** Solar trackers are grouped under two basic categories: the single axis trackers and the dual axis trackers. The single tracker rotates east to west following the sun's movement, and the dual trackers include vertical and horizontal movements i.e. they can incline or tilt to account for winter and summer sun angles. Single Axis Trackers are trackers with only one degree through which they rotate or use as axis of rotation. This axis is usually aligned following the North meridian. They rotate azimuthally from east to west following the path of a sun. Double or Dual Axis Tracker have two different degrees through which they use as axis of rotation. The dual axis are usually at a normal of each rotate both east to west (zenithal) and north to south (azimuthally) [1-3].

## Literature Review

Section II include discussion about literature work that supporting components to design dual axis solar tracker.

## Microcontroller

It is the major part of the system. The microcontroller controls all the operations. The solar panel is aligned according to the intensity of sunlight under the control of the microcontroller.

## Dc motor

Interfacing a dc motor with a microcontroller, usually H-bridge is preferred way of interfacing a dc motor. These days many IC manufacturers have H-bridge motor drivers available in the market like L293D is most used H-Bridge driver IC. H-Bridge can also be made with the help of transistors and MOSFETS etc. rather of being cheap; they only increase the size of the design board, which is sometimes not required so using a small 16 pin IC is preferred for this purpose.

## Motor driver circuit

The L293D is a monolithic integrated high voltage, high current four channel driver designed to accept standard DTL or TTL logic levels and drive inductive loads (such as relays solenoids, DC and stepping motors) and switching power transistors. The speed of DC motor can also be controlled with MCU. PWM or pulse width modulation technique is used to digitally control speed of dc motors.

## Relays

Relays are used where it is necessary to control a circuit by a low-power signal (with complete electrical isolation between control and controlled circuits), or where several circuits must be controlled by one signal. Here the relays are used to dc motors.

## Block Diagram

(Figure 1) Here sun position can be calculated from sun position

\*Corresponding author: Vijayalakshmi K, University of Engineering and Technology, Lahore, G.T. road Lahore, Pakistan, Tel: +923338076738, E-mail: vijayalakshmi.kakarla49@gmail.com

Received July 27, 2016; Accepted September 09, 2016; Published September 16, 2016

Citation: Vijayalakshmi K (2016) Designing a Dual Axis Solar Tracking System for Maximum Power. J Electr Electron Syst 5: 198. doi: 10.4172/2332-0796.1000198

Copyright: © 2016 Vijayalakshmi K. This is an open-access article distributed under the terms of the Creative Commons Attribution License, which permits unrestricted use, distribution, and reproduction in any medium, provided the original author and source are credited.

algorithm and panel position can be calculated from angle sensors connected to the tracker. Here the sun position and pv panel position both are given as inputs to the microcontroller which will rotate the panel to an exact position through the dc motor with help of motor driver and relay. To get exact tracking a logic is followed with the flow of signal with microcontrollers and IC's. The flow of signal is shown in below block diagram. the microcontroller is interfaced to real time clock and lcd display and to motor (Figures 2 and 3).

The relays are used to control the dc motors which are inbuilt in actuator. The relay 1 is operated whenever the motor should run clockwise direction and similarly relay 2 works when motor should

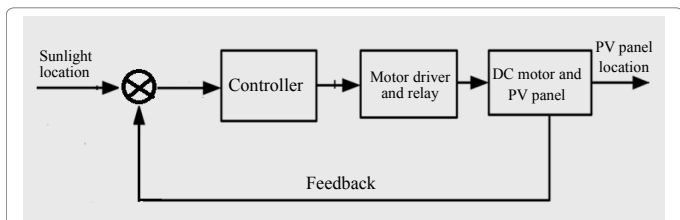


Figure 1: Block diagram of dual axis solar tracking system.

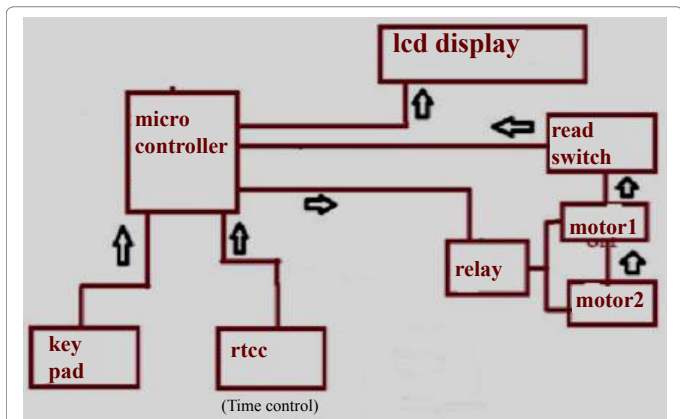


Figure 2: Block diagram of solar tracker control.

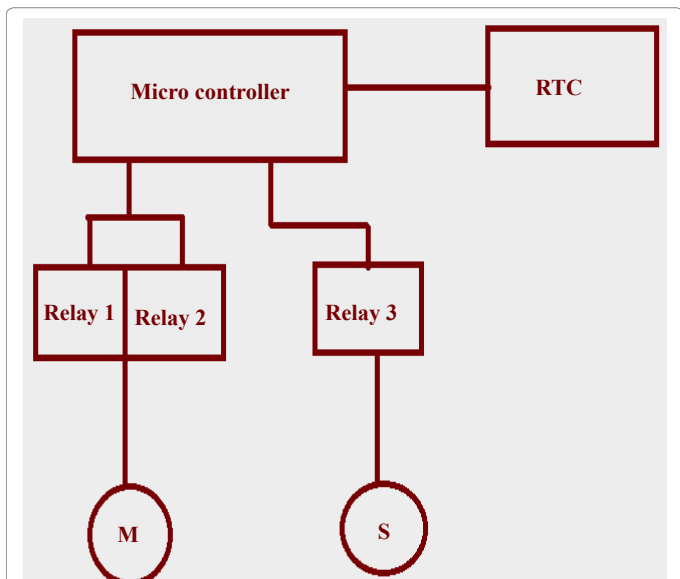


Figure 3: Motor control and its interfacing circuit.

run in anti clockwise direction. A switch is also connected to the micro controller with a sensing relay. Whenever the micro controller gets off, it becomes difficult to it to trace the position of panel, so a switch is provided. After controller is ON, the panel will keep tilting until it touches the switch and once the switch is closed the controller senses that the panel is at zero position, now it reads the time from RTC and sets the panel according to the time.

### Experimental Setup

(Figure 4) Change of panel position with daily sun variation has been shown in the figure at morning and afternoon and evening time. Tracker is also moving its position with respect to the sun.

### Experimental Results

The sun position that is azimuth and altitude position of sun are shown in figure which is calculated from SPA (sun position algorithm) (Figures 5 and 6).

Experiments results were performed by placing the designed system in open air. Figures 1 and 2 show the output power for PV systems



Figure 4: Solar tracking set up.

<< Friday, 15th April 2016 >>

Time (24 hr)	Azim.	Alt.
06:00	80°	-1°
06:15	81°	3°
06:30	82°	6°
06:45	83°	10°
07:00	84°	13°
07:15	85°	17°
07:30	86°	20°
07:45	87°	24°
08:00	88°	28°
08:15	89°	31°

Figure 5: Azimuth and Altitude angle of sun.

(Single axis tracking and dual axis tracking). These observations were performed on 15 April 2016. The output power data is collected during 8:00 AM to 9:00 PM that are obtained through SCADA.

(Figures 7 and 8) The power generated for single axis tracker is 128kw and for dual axis tracker is 157kw at 6.59am. The experimental results clearly show that dual axis tracking is superior to single axis tracking. Power captured by dual axis solar tracker is high during the whole observation time period [4-7].

## Conclusion and Future Scope

### Conclusion

A pre-determined solar tracking system has been designed economically using motorized linear actuator. The proposed overall solar tracking system design was tested, based on calculated data of the altitude angle of Hyderabad. The obtained system response results show the simplicity, accuracy and applicability of design in meeting different operational conditions.

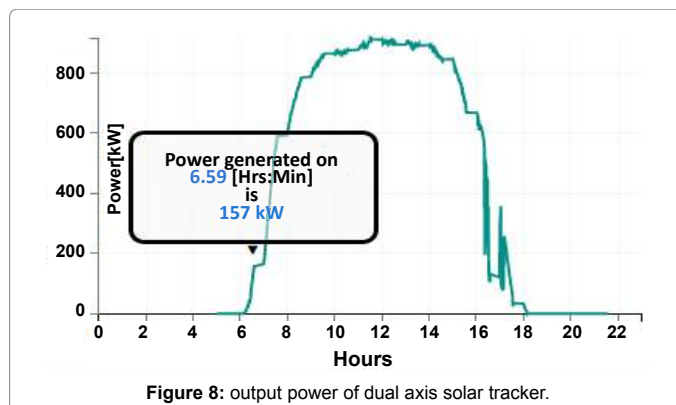


Figure 8: output power of dual axis solar tracker.

### Future scope

The motor controller can be extended by improving the accuracy of the circuit and detailed study on the location. The irradiation calculation also plays a vital role so there is a need of adding it to the project which can be extended. We have used mono crystalline pv panel for our research study. However we can use poly crystalline material based pv panel for this purposed model and material based comparison of both systems can be done.

### References

1. [http://en.wikipedia.org/wiki/Solar\\_tracker](http://en.wikipedia.org/wiki/Solar_tracker)
2. <https://www.google.co.in>
3. <http://www.solar-tracking.com/>
4. <http://chargeursolaire.over-blog.com/article-the-working-principle-of-solar-tracking-controller-63106485.html>
5. <http://www.hindawi.com/journals/jre/2014/629717/>
6. Barsoum N (2011) Fabrication of Dual-axis solar tracking controller project. Intelligent control and automation 2: 57-68.
7. Mousazadeh H, Keyhani A, Arzhang J, Hossein M, Karen A (2009) A review of principle and sun-tracking methods for maximizing solar systems output. Renewable and Sustainable Energy Reviews 13: 1800-1818.

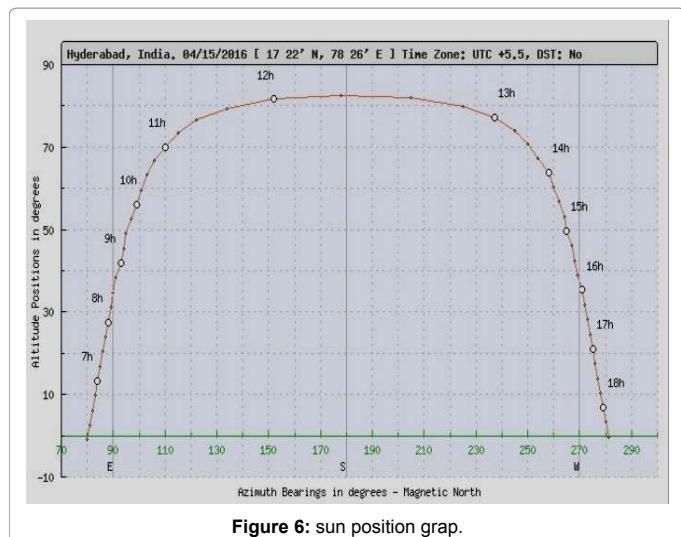


Figure 6: sun position grap.

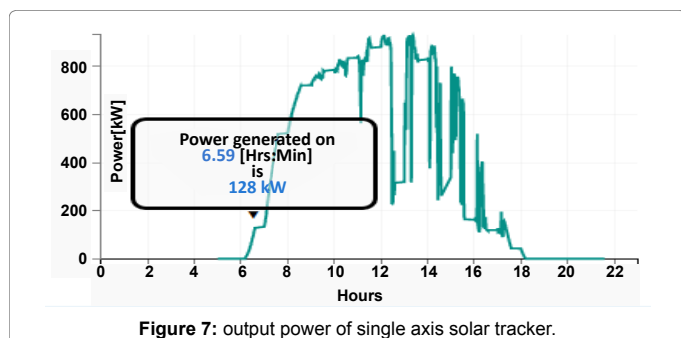


Figure 7: output power of single axis solar tracker.