

Dismantling SecureMemory, CryptoMemory and CryptoRF

Flavio D. Garcia

Peter van Rossum

Roel Verdult

Ronny Wichers Schreur

Institute for Computing and Information Sciences
Radboud University Nijmegen, The Netherlands.
{flaviog,petervr,rverdult,ronny}@cs.ru.nl

ABSTRACT

The Atmel chip families SecureMemory, CryptoMemory, and CryptoRF use a proprietary stream cipher to guarantee authenticity, confidentiality, and integrity. This paper describes the cipher in detail and points out several weaknesses. One is the fact that the three components of the cipher operate largely independently; another is that the intermediate output generated by two of those components is strongly correlated with the generated keystream. For SecureMemory, a single eavesdropped trace is enough to recover the secret key with probability 0.57 in 2^{39} cipher ticks. This is a factor of $2^{31.5}$ faster than a brute force attack. On a 2 GHz laptop, this takes around 10 minutes. With more traces, the secret key can be recovered with virtual certainty without significant additional cost in time. For CryptoMemory and CryptoRF, if one has 2640 traces it is possible to recover the key in 2^{52} cipher ticks, which is 2^{19} times faster than brute force. On a 50 machine cluster of 2 GHz quad-core machines this would take less than 2 days.

Categories and Subject Descriptors: E.3 [Data Encryption]: Code Breaking

General Terms: Security

Keywords: stream ciphers, practical cryptanalysis, smart-card security, RFID.

1. INTRODUCTION

This paper addresses the (in)security of the cryptographic mechanisms used in the Atmel product families SecureMemory, CryptoMemory, and CryptoRF.

These products are integrated circuits, consisting essentially of a small piece of memory and have cryptographic capabilities to authenticate and encrypt. They have two main application areas: in smart cards (ID and access cards, health care cards, loyalty cards, internet kiosk, energy meters, and e-government); and embedded, to authenticate one piece of hardware to another or for the secure storing of

cryptographic data (printers and print cartridges, removable storage devices, set top boxes, access control systems, sub-assembly authentication, counterfeit protection, networked systems) [BJ04, CGY08, ZJS⁺09]. A concrete example is the widely sold NVIDIA graphics cards, which uses CryptoMemory as secure storage to protect the HDCP license keys¹, required to play high-definition video². It is also used in media players such as Microsoft's Zune Player [Dip09] and SanDisk's Sansa Connect³, for instance to securely store the device id and device certificate.

The Atmel chips AT88SC153 and AT88SC1608, which we call here the SecureMemory family, were introduced in 1999. A newer version, the CryptoMemory family, which includes the AT88SCxxxxC chips, with more advanced cryptographic features, was introduced in early 2002. These two families only have contact interfaces; in late 2003, the CryptoRF family, which is a variant of the CryptoMemory family with the AT88SCxxxxCRF chips, was introduced and also has a RF interface [Jar04].

The technology used in the chips is covered by US Patent 7395435 B2 [BCM08]. Details on the communication protocol used between a card (or slave device) and a reader (or master device) can be found in the documentation [Atm07]; although this does include details on how the cryptographic algorithms are called and on the message flow between card and reader, it does not provide detailed information on the cipher itself. As experience has shown with other chips from the same era, the secrecy of such a proprietary cipher does not inspire confidence in its cryptographic strength. Most notably, KeeLoq, which is mainly used in wireless car keys and the Mifare Classic, which has widespread application in public transport ticketing systems and in access control cards, have been thoroughly broken in the last few years [Bog07, CBW08, IKD⁺08, GvRVS09, GdKGM⁺08, dKGGH08, NESP08, Cou09]. The cipher used in CryptoMemory, however, boasts a security stronger than DES; a security evaluation [Tec05] claims that the observed bias in the output is "trivial enough to confirm that CryptoMemory is impermeable to shortcut attacks". Admittedly, sophisticated attacks were not in the scope of this evaluation. We should note at this point that a back door has been found in the SecureMemory chips AT88SC153/1608 [Fly08]: using ultra-violet light, an EEPROM fuse can be restored to its

¹http://www.expreview.com/review/2007-10-17/1192604816d5951_2.html

²http://download.nvidia.com/downloads/pvzone/Checklist_for_Building_a_HDCP.pdf

³<http://www.rockbox.org/wiki/SansaConnect>

Permission to make digital or hard copies of all or part of this work for personal or classroom use is granted without fee provided that copies are not made or distributed for profit or commercial advantage and that copies bear this notice and the full citation on the first page. To copy otherwise, to republish, to post on servers or to redistribute to lists, requires prior specific permission and/or a fee.

CCS'10, October 4–8, 2010, Chicago, Illinois, USA.

Copyright 2010 ACM 978-1-4503-0244-9/10/10 ...\$10.00.

original value and the contents of the memory can be read un-encrypted. A relay attack has been executed against the newer chips [KCP07].

Our contribution

As part of our research we have reverse engineered the security mechanisms of the SecureMemory and CryptoMemory families (the CryptoRF family uses exactly the same cipher as the CryptoMemory family, so we ignore that distinction from now on). This includes the ciphers, the authentication and encryption mechanisms, and the password mechanisms. This was accomplished by disassembling various executable applications from Atmel (e.g., ECESudio), that implement the ciphers in software. We wrote a prototype implementation and then we compared its output with the packages we observed from the cards.

We have implemented the full functionality of these families in software and released this under GPL licence⁴. Our implementation can communicate with genuine Atmel products using commercial smartcards and readers.

In this paper, we focus exclusively on the ciphers and the authentication mechanism; that is all that is needed to recover the keys.

SecureMemory and CryptoMemory use a stream cipher. It has an internal state of 109 bits (SecureMemory) or 117 bits (CryptoMemory), organized in three shift registers with a non-linear feedback function. Every clock tick, two of the registers produce 4 bits of output; the output of the third is used to select bits from one of the two other registers, producing 4 bits of keystream. The difference between SecureMemory and CryptoMemory, as far as the cipher is concerned, is that in CryptoMemory the last 8 bits of the output are remembered and are fed back into the shift registers every tick. Details are described in Section 3.

During initialization, 64-bit nonces from reader and card and a 64-bit shared key are used to set the initial state of the cipher; reader and tag subsequently authenticate by exchanging part of the following keystream. See Section 3.1 for details.

Next, we describe passive attacks against SecureMemory and CryptoMemory. We assume that an attacker has managed to eavesdrop a number of authentication sessions. For SecureMemory, we use a combination of a correlation attack (see for example [Rue92]) and a meet-in-the-middle attack to recover a significant part of the internal state of the cipher. Meet-in-the-middle attacks were also proved successful against other stream ciphers like A51 [BBK08] and KeeLoq [IKD⁺08]. Once we have the internal state of the cipher, we use a meet-in-the-middle attack to recover the shared secret key. This attack costs 2^{39} time, taking ticks of the cipher as unit. On a 2 GHz laptop, the attack takes approximately 10 minutes. Even though this attack is rather straightforward, it serves as an intermediate, didactic step to the more involved attack on CryptoMemory.

For CryptoMemory, the principal idea behind the attack is the same, but it is much more complicated because of the presence of the feedback of the output into the cipher state. We still use a correlation attack to recover a large part of the internal state (two of the three registers). Unlike with

⁴Sample code available at <http://www.libnfc.org/documentation/examples/nfc-cryptorf>

SecureMemory, we do not recover this with certainty, but obtain a few hundred to a few thousand candidates. Because of the feedback, it is also not directly possible to roll back these partial states, so we have to search for the correct remaining part of the internal state (the third register). After this, we can again unroll and use a meet-in-the-middle attack to recover the shared secret key. Using approximately 2640 traces, this attack has a time complexity of 2^{52} cipher ticks; it would take less than 2 days on a 50 machine cluster of 2 GHz quad-core machines. Details on these attacks are described in Section 4 (for SecureMemory) and Section 5 (for CryptoMemory).

We have discussed these vulnerabilities with Atmel in October 2009. To give the manufacturer ample time to take appropriate measures, we have not disclosed them until March 2010.

2. BACKGROUND

SecureMemory and CryptoMemory are ISO/IEC 7816 smartcards that communicate through a contact interface. CryptoRF is a ISO/IEC 14443-B smartcard that uses a contactless interface. CryptoMemory is also available in the form of an embedded EEPROM IC with a serial interface. The available memory ranges from 128 bytes to 32KB. The memory is split in multiple user zones and one system zone which stores the configuration of the smartcard.

system	offset	0	1	2	3	4	5	6	7
0	0								
		size = 128 or 256 bytes							
	size - 8								
user	offset	0	1	2	3	4	5	6	7
	0								
		size = 32, 64, 128, 256, 512, 1024 or 2048 bytes							
	size - 8								
	⋮								
3, 7 or 15	0								
		size = 32, 64, 128, 256, 512, 1024 or 2048 bytes							
	size - 8								

Figure 1: Logical memory structure

The system zone is divided into six sections: identification, access control, cryptography, secret and password. Blank cards operate with a user-defined identifier which is customized by the system integrator. To achieve key diversification, the documentation recommends that the authentication keys should be derived from this identifier. The access control section is used to restrict read and write operations per user zone and define the requirements of authentication and encryption. To verify the legitimacy and prevent eavesdropping of data and passwords a mutual authentication with encryption is available.

3. THE CIPHERS

This section describes the stream ciphers that are used in SecureMemory and CryptoMemory. As mentioned in the introduction, the internal state of the cipher consists of three shift registers; for CryptoMemory, an additional register remembers the last 8 bits of output.

DEFINITION 3.1. A cipher state of SecureMemory s is an element of \mathbb{F}_2^{109} consisting of the following components:

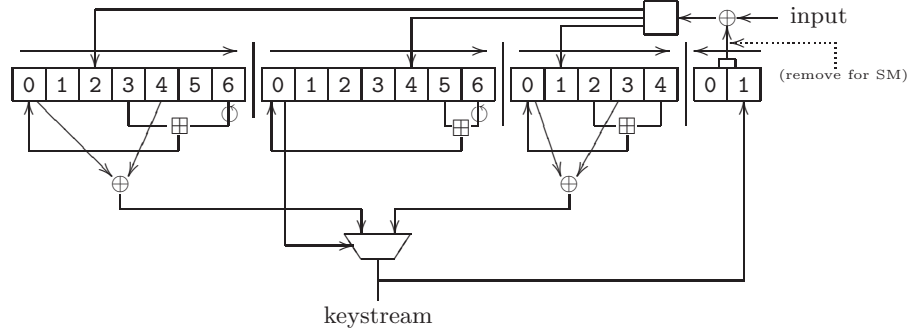


Figure 2: The cipher

1. the left-hand segment $l = (l_0, \dots, l_6) \in (\mathbb{F}_2^5)^7$;
2. the middle segment $m = (m_0, \dots, m_6) \in (\mathbb{F}_2^7)^7$;
3. the right-hand segment $r = (r_0, \dots, r_4) \in (\mathbb{F}_2^5)^5$.

The cipher state of *CryptoMemory* is an element of \mathbb{F}_2^{117} . In addition to the three segments above, it also has the following component:

4. the feedback segment $f = (f_0, f_1) \in (\mathbb{F}_2^4)^2$.

Every tick, a cipher state s together with an input $a \in \mathbb{F}_2^8$ evolves in a successor state s' . First, the input a (and in case of *CryptoMemory* also the feedback segment f) are XORed into s at several places, giving an intermediate state \hat{s} . Second, the left, right and middle segments are shifted to the right and new 0th entries are computed using a bitwise rotate and a modular addition. Thirdly and finally, the output segment is shifted to the left and a new 1st entry is computed using a non-linear function of the other segments, giving the successor state s' . The following sequence of definitions gives the details of this construction; see also Figure 2.

DEFINITION 3.2. Define the bitwise left rotate operator $L: \mathbb{F}_2^n \rightarrow \mathbb{F}_2^n$ by

$$L(x_0x_1 \dots x_{n-1}) = (x_1 \dots x_{n-1}x_0).$$

DEFINITION 3.3. Define the modified modular addition operator $\boxplus: \mathbb{F}_2^n \times \mathbb{F}_2^n \rightarrow \mathbb{F}_2^n$ (identifying elements of \mathbb{F}_2^n with elements of $\{0, 1, \dots, 2^n - 1\}$) by

$$x \boxplus y = \begin{cases} x + y \pmod{2^n - 1} & \text{if } x = y = 0 \text{ or } x + y \neq 0 \\ 2^n - 1 & \text{otherwise,} \end{cases}$$

where $+ \pmod{2^n - 1}$ denotes integer addition modulo $2^n - 1$.

Note that this operation is not injective when fixing one of the arguments: $x \boxplus 0$ and $x \boxplus (2^n - 1)$ both equal x (unless $x = 0$, because $0 \boxplus 0 = 0$ and $0 \boxplus (2^n - 1) = 2^n - 1$). Also observe that the result of \boxplus is never 0 unless both operands are 0.

DEFINITION 3.4. Let $s = (l, m, r, f) \in \mathbb{F}_2^{117}$ be a cipher state (for *CryptoMemory*; for *SecureMemory*, ignore f) and let $a \in \mathbb{F}_2^8$ be an input. We define the intermediate state $\hat{s} = (\hat{l}, \hat{m}, \hat{r}, \hat{f})$ and the successor state $s' = (l', m', r', f')$

as follows. For *CryptoMemory*, define $b := a \oplus f_0f_1$; for *SecureMemory*, $b := a$. The intermediate state \hat{s} is given by

$$\begin{aligned} \hat{l}_2 &:= l_2 \oplus b_3b_4b_5b_6b_7 \\ \hat{m}_4 &:= m_4 \oplus b_4b_5b_6b_7b_0b_1b_2 \\ \hat{r}_1 &:= r_1 \oplus b_0b_1b_2b_3b_4 \end{aligned} \quad (1)$$

and all other entries are copied from l , m , r , and f . The successor state s' is given by

$$\begin{aligned} l'_{i+1} &:= \hat{l}_i & i \in \{0, \dots, 5\} \\ m'_{i+1} &:= \hat{m}_i & i \in \{0, \dots, 5\} \\ r'_{i+1} &:= \hat{r}_i & i \in \{0, \dots, 3\} \\ l'_0 &:= \hat{l}_3 \boxplus L(\hat{l}_6) \\ m'_0 &:= \hat{m}_5 \boxplus L(\hat{m}_6) \\ r'_0 &:= \hat{r}_2 \boxplus \hat{r}_4. \end{aligned}$$

We call the rightmost 4 bits of $l'_0 \oplus l'_4$ the output of the left-hand segment (i.e., $l'_{0,1} \oplus l'_{4,1}$, $l'_{0,2} \oplus l'_{4,2}$, \dots , $l'_{0,4} \oplus l'_{4,4}$, a bitwise XOR) and denote it by $\text{outputl}(l')$. We call the rightmost 4 bits of $r'_0 \oplus r'_3$ the output of the right-hand segment r' (i.e., $r'_{0,1} \oplus r'_{3,1}$, $r'_{0,2} \oplus r'_{3,2}$, \dots , $r'_{0,4} \oplus r'_{3,4}$) and denote it by $\text{outputr}(r')$. The output of the cipher state s' , denoted by $\text{output}(s')$ is defined by

$$\text{output}(s')_i = \begin{cases} \text{outputl}(l')_i, & \text{if } m'_{0,i+3} = 0; \\ \text{outputr}(r')_i, & \text{if } m'_{0,i+3} = 1 \quad i \in \{0, \dots, 3\}. \end{cases}$$

Note how the rightmost 4 bits of the middle segment acts as a selector; it selects either a bit from the left-hand segment or a bit from the right-hand segment to be included in the output. For *CryptoMemory*, we define

$$\begin{aligned} f'_0 &:= \hat{f}_1 (= f_1) \\ f'_1 &:= \text{output}(s'). \end{aligned}$$

Define the transition function suc that takes an input a and a state s and outputs the successor state s' . We write $\text{suc}^n(a, s)$ denoting $\text{suc}(a, s)$ when $n = 1$ and $\text{suc}^{n-1}(a, \text{suc}(a, s))$ when $n > 1$.

Note that the whole feedback segment can be reconstructed from the other three segments; $f_1 = \text{output}(s)$, but also f_0 can be reconstructed: shift all segments in s one to the left

and take output. To be precise, we have

$$f_{0,i} = \begin{cases} l_{1,i+1} \oplus l_{5,i+1} & \text{if } m_{1,i+3} = 0 \\ r_{1,i+1} \oplus r_{4,i+1} & \text{if } m_{1,i+3} = 1. \end{cases} \quad (2)$$

(So the rightmost 4 bits of m_1 act as a selector between the rightmost 4 bits of $l_1 \oplus l_5$ and $r_1 \oplus r_4$.)

3.1 Initialization and authentication

The cipher is initialized during the authentication protocol. At the beginning of this protocol, tag and reader exchange nonces as depicted in Figure 3. The tag nonce is scrambled together with the first half of the reader nonce and fed into the cipher. Subsequently, the shared key scrambled together with the second half of the reader nonce is fed in. Then, the cipher produces keystream that will be used as authenticator for both reader and tag. The precise definitions follow.

Let $nt \in (\mathbb{F}_2^8)^8$ be a tag nonce, $nr \in (\mathbb{F}_2^8)^8$ a reader nonce, and $k \in (\mathbb{F}_2^8)^8$ the shared key between the tag and the reader.

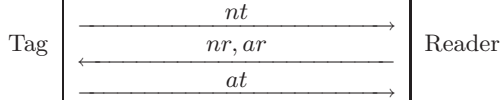


Figure 3: Authentication protocol

The initial cipher state has all components l , m , r (for SecureMemory and CryptoMemory) and f (for CryptoMemory) equal to zero. Then the cipher is evolved through the states s_0, s_1, \dots defined as

$$\begin{aligned} s_0 &:= 0 \\ s_{i+1} &:= \text{suc}(nr_i, \text{suc}^v(nt_{2i+1}, \text{suc}^v(nt_{2i}, s_i))) \quad i \in \{0, \dots, 3\} \\ s_{i+5} &:= \text{suc}(nr_{i+4}, \text{suc}^v(k_{2i+1}, \text{suc}^v(k_{2i}, s_{i+4}))) \quad i \in \{0, \dots, 3\} \end{aligned}$$

where $v = 1$ for SecureMemory and $v = 3$ for CryptoMemory. The following is an overview of the input during the initialisation phase of SecureMemory (left) and CryptoMemory (right).

(s_0)	nt_0	nt_1	nr_0	(s_0)	nt_0	nt_0	nt_0	nt_1	nt_1	nt_1	nr_0
(s_1)	nt_2	nt_3	nr_1	(s_1)	nt_2	nt_2	nt_2	nt_3	nt_3	nt_3	nr_1
(s_2)	nt_4	nt_5	nr_2	(s_2)	nt_4	nt_4	nt_4	nt_5	nt_5	nt_5	nr_2
(s_3)	nt_6	nt_7	nr_3	(s_3)	nt_6	nt_6	nt_6	nt_7	nt_7	nt_7	nr_3
(s_4)	k_0	k_1	nr_4	(s_4)	k_0	k_0	k_0	k_1	k_1	k_1	nr_4
(s_5)	k_2	k_3	nr_5	(s_5)	k_2	k_2	k_2	k_3	k_3	k_3	nr_5
(s_6)	k_4	k_5	nr_6	(s_6)	k_4	k_4	k_4	k_5	k_5	k_5	nr_6
(s_7)	k_6	k_7	nr_7	(s_7)	k_6	k_6	k_6	k_7	k_7	k_7	nr_7
(s_8)				(s_8)							

Starting from the state called s_0 , we feed in nt_0 (three times for CryptoMemory), then nt_1 (three times for CryptoMemory), then nr_0 , and arrive at the state called s_1 , etc. Note that these states are non-consecutive, e.g., s_1 is not the successor of s_0 ; we have only named those states that are needed for the description.

The authentication protocols for CryptoMemory and SecureMemory are similar, although the keystream bits used as authenticators are different in both cards. The precise definitions follow.

3.1.1 SecureMemory Authentication

After initialization, the cipher produces keystream that will be used for mutual authentication of tag and reader. In SecureMemory, every second output nibble is discarded. The keystream bits used as authenticators for the tag $at \in (\mathbb{F}_2^4)^{16}$ and for the reader $ar \in (\mathbb{F}_2^4)^{16}$ are interleaved. We define the following relevant states:

$$s_i := \text{suc}^2(0, s_{i-1}) \quad i \in \{9, \dots, 40\}.$$

The authenticator nibbles for the tag are

$$\begin{aligned} at_i &:= \text{output}(s_{2i+9}) \\ at_{i+1} &:= \text{output}(s_{2i+10}) \quad i \in \{0, 2, \dots, 14\} \end{aligned}$$

and the authenticator nibbles for the reader are

$$\begin{aligned} ar_i &:= \text{output}(s_{2i+11}) \\ ar_{i+1} &:= \text{output}(s_{2i+12}) \quad i \in \{0, 2, \dots, 14\}. \end{aligned}$$

The overview of the output during the authentication phase of SecureMemory is as follows.

(s_8)	-	at_0	-	at_1	-	ar_0	-	ar_1
(s_{12})	-	at_2	-	at_3	-	ar_2	-	ar_3
(s_{16})	-	at_4	-	at_5	-	ar_4	-	ar_5
(s_{20})	-	at_6	-	at_7	-	ar_6	-	ar_7
(s_{24})	-	at_8	-	at_9	-	ar_8	-	ar_9
(s_{28})	-	at_{10}	-	at_{11}	-	ar_{10}	-	ar_{11}
(s_{32})	-	at_{12}	-	at_{13}	-	ar_{12}	-	ar_{13}
(s_{36})	-	at_{14}	-	at_{15}	-	ar_{14}	-	ar_{15}
(s_{40})								

Starting from the state called s_8 , one output nibble is discarded, the following is called at_0 , the next one is discarded, etc., until ar_1 . The state then reached is called s_{12} , etc.

3.1.2 CryptoMemory Authentication

After initialization, CryptoMemory generates the reader authenticator first and then the tag authenticator. While generating the reader authenticator $ar \in (\mathbb{F}_2^4)^{16}$, five keystream nibbles are discarded and then two nibbles (one byte) are used, with the exception of the first byte where only 4 nibbles are discarded. The tag authenticator $at \in (\mathbb{F}_2^4)^{16}$ consists of the bitstring `0xff` followed by the next 14 (consecutive) keystream nibbles produced. To be precise, define the following sequence of states. Again, note that these states are not consecutive.

$$\begin{aligned} s_9 &:= \text{suc}^5(0, s_8) \\ s_{10} &:= \text{suc}(0, s_9) \\ s_i &:= \text{suc}^6(0, s_{i-1}) \quad i \in \{11, 13, \dots, 23\} \\ s_i &:= \text{suc}(0, s_{i-1}) \quad i \in \{12, 14, \dots, 24\} \\ s_i &:= \text{suc}(0, s_{i-1}) \quad i \in \{25, \dots, 38\}. \end{aligned}$$

Then the reader authenticator is defined as

$$ar_i := \text{output}(s_{i+9}) \quad i \in \{0, \dots, 15\}$$

and the tag authenticator is defined as

$$\begin{aligned} at_0 &:= \text{0xf} \\ at_1 &:= \text{0xf} \\ at_i &:= \text{output}(s_{i+23}) \quad i \in \{2, \dots, 15\}. \end{aligned}$$

The following shows a schematic overview of the output during the authentication phase of CryptoMemory.

(s_8)	4×-	ar_0	ar_1	5×-	ar_2	ar_3	
(s_{12})	5×-	ar_4	ar_5	5×-	ar_6	ar_7	
(s_{16})	5×-	ar_8	ar_9	5×-	ar_{10}	ar_{11}	
(s_{20})	5×-	ar_{12}	ar_{13}	5×-	ar_{14}	ar_{15}	
(s_{24})	at_2	at_3	at_4	at_5	at_6	at_7	at_8
(s_{31})	at_9	at_{10}	at_{11}	at_{12}	at_{13}	at_{14}	at_{15}
(s_{38})							

Starting from the state called s_8 , the first 4 output nibbles generated are discarded, the next two are called ar_0 and ar_1 respectively, the next 5 are discarded again, etc. For future reference, note that an attacker who has observed an authentication trace sees 16 consecutive keystream nibbles, viz., $ar_{14}, ar_{15}, at_2, at_3, \dots, at_{15}$.

EXAMPLE 3.5. *Figure 4 shows an authentication trace using the shared key $k = 0x4f794a463ff81d81$; the first two bytes on every line are a command and the last two are a CRC.*

4. ATTACKING SECUREMEMORY

We now turn our attention to attacking the ciphers. We start with an attack against SecureMemory. We assume that an attacker has eavesdropped a single authentication session; the attack we describe recovers the shared secret key with probability at least 0.57. By using more authentication sessions we can arbitrarily increase this probability.

The attack we describe takes place in two phases. First, we use a correlation attack to recover (the left-hand and right-hand segments of) the internal state of the cipher just after feeding in the key and just before generating the authenticators (called state s_8 in Section 3.1.1). Since the attacker knows nr and nt , he can also compute the state just before feeding in the shared secret key (called state s_4). Then, we use a meet-in-the-middle attack to recover k .

The running time of the whole attack is 2^{39} ticks of the SecureMemory cipher, which on a single-core 2GHz laptop takes about 10 minutes.

4.1 Recovering the internal state

There are two weaknesses in the SecureMemory cipher that make it possible to recover the internal state of the cipher. The first one is that there is a high correlation between the output of the right-hand (or left-hand) segment and the keystream itself. Consider a state s and its output nibble $output(s)$. For those bits for which the middle segment chooses the right ($m_{0,i} = 1$), the output bit is equal to the corresponding output bit of the right-hand segment ($output(s)_i = output(r)_i$). Assuming a uniform probability, this happens with probability $\frac{1}{2}$. Where the middle segment chooses the left ($m_{0,i} = 0$), the output bit is equal to the corresponding output bit of the left-hand segment ($output(s)_i = output(l)_i$), but with probability $\frac{1}{2}$ this equals the output bit of the right-hand segment ($output(r)_i$) anyway. So, with probability $\frac{1}{2} + \frac{1}{2} \cdot \frac{1}{2} = \frac{3}{4}$, an output bit of the right-hand segment equals the corresponding keystream bit (and similarly for the left-hand segment). The second weakness is that the three segments operate independently. So, knowing (or guessing) the right-hand (or left-hand or middle) segment of a state s , the attacker can compute the

right-hand (or left-hand or middle) segment of the successor state s' .

DEFINITION 4.1. *Consider a guess r for the right-hand segment of the internal state of the cipher at the start of the authentication phase (state s_8 in Section 3.1.1) and consider the 16 output nibbles generated by the right-hand segment that are used to compute at and ar . We define the score of r to be the number of bits that these 16 output nibbles have in common with the actual keystream (i.e., with at and ar). A similar definition applies for a guess l of the left-hand segment.*

So, for a wrong guess of the right-hand segment, one would expect the score to be 64 (half of 128 bits correct); for the correct guess, one would expect the score to be 96 ($\frac{3}{4}$ of the 128 bits correct). So, the attacker iterates over the 2^{25} possible right-hand segments and computes their score. The one with the highest score is most likely to be the correct one. As an approximation, we can assume that the score for the $2^{25} - 1$ wrong guesses is binomially distributed with parameters $p = \frac{1}{2}$ and $n = 128$ (128 bits, each of which has a probability of $\frac{1}{2}$ of being correct) and the score for the correct guess is binomially distributed with parameters $p = \frac{3}{4}$ and $n = 128$. Also assuming, again as an approximation, that all these score are independent random variables, the following proposition applies.

PROPOSITION 4.2. *Let $X_1, \dots, X_{2^{25}-1} \sim \text{Binom}(128, \frac{1}{2})$ and $Y \sim \text{Binom}(128, \frac{3}{4})$ be independent random variables. Then*

$$\mathbb{P}[\forall i. X_i < Y] \approx 0.57$$

and

$$\mathbb{P}[\exists i. [Y < X_i \wedge \forall j \neq i. X_j < X_i]] \approx 0.24.$$

PROOF. Since the X_i 's and Y are assumed to be independent, we get

$$\begin{aligned} \mathbb{P}[\forall i. X_i < Y] &= \sum_{k=0}^{128} \mathbb{P}[\forall i. X_i < k \wedge Y = k] \\ &= \sum_{k=0}^{128} \mathbb{P}[X_1 < k]^{2^{25}-1} \cdot \mathbb{P}[Y = k] \approx 0.57 \end{aligned}$$

and

$$\begin{aligned} \mathbb{P}[\exists i. [Y < X_i \wedge \forall j \neq i. X_j < X_i]] &= \sum_{k=0}^{128} \mathbb{P}[\exists i. X_i = k \wedge \forall j \neq i. X_j < k \wedge Y < k] \\ &= \sum_{k=0}^{128} \sum_{i=1}^{2^{25}-1} \mathbb{P}[X_i = k \wedge \forall j \neq i. X_j < k \wedge Y < k] \\ &= \sum_{k=0}^{128} (2^{25} - 1) \cdot \mathbb{P}[X_1 = k] \cdot \mathbb{P}[X_2 < k]^{2^{25}-2} \cdot \mathbb{P}[Y < k] \\ &\approx 0.24 \quad \square \end{aligned}$$

So, as an approximation, with probability 0.57, the correct right-hand segment has a score that is higher than the score of all the wrong ones. With probability of only 0.24, a wrong right-hand segment has a score higher than all the others (including the correct one). Therefore we get with

	Message	Interpretation
R	1600 5007 add3	Read nt
T	1600 ff81c91e11a6393e 00 1b66	$nt = \text{ff} \dots 3e$
R	1800 3d28a6ae3a767a25 d308e40bb3200ee0 a905	Auth $nr = 3d \dots 25$, $ar = d3 \dots e0$
T	1800 00 9b85	Ok
R	1600 5007 add3	Read at
T	1600 ff4c1c06b43bcc2 00 440b	$at = \text{ff} \dots c2$

Figure 4: Authentication trace

probability 0.81 one right-hand segment that scores higher than all the others. So we need, on average $1/0.81 \approx 1.23$ traces to obtain such a single candidate. The conditional probability that this candidate is indeed the correct right-hand segment is $0.57/0.81 \approx 0.71$. To obtain a trace in which the highest scoring right-hand segment is indeed the correct one, we need on average $1/0.57 \approx 1.75$ traces.

From now on, assume that we have a trace for which exactly one right-hand segment scores higher than all the others. For the attack we assume that it is the correct right-hand segment r .

Then we try to find possible candidates for the left-hand segment. Note that for those bits of the known keystream where the output of the right-hand segment does *not* produce the correct bit, the corresponding bit from the middle segment (the selector) *must* choose the left-hand segment and the corresponding bit from the output of the left-hand segment *must* equal that keystream bit. For instance, when r has a score of 96, this happens $128 - 96 = 32$ times. So, the attacker iterates over all 2^{35} possibilities for the left-hand segment, keeping only those that satisfy the above constraint. Experiments show that this leaves only between, approximately, 10 and 200 candidates.

At this point, one could also try to recover (candidates for) the middle segment, but as we will show in the next two sections, that is not even necessary. Later, when we are attacking CryptoMemory in Section 5, we do recover the middle part as well.

4.2 Unrolling the cipher

Whenever the input b is known, given a state s' it is possible run the cipher backwards and recover the previous state s . We start by defining an inverse to \boxplus .

DEFINITION 4.3. Define $\boxminus: \mathbb{F}_2^n \times \mathbb{F}_2^n \rightarrow \mathbb{F}_2^n$ by

$$x \boxminus y = x - y \pmod{2^n - 1}.$$

To reconstruct s , we first unshift the cipher, recovering the intermediate state \hat{s} :

$$\begin{aligned} \hat{l}_i &:= l'_{i+1} & i \in \{0, \dots, 5\} \\ \hat{m}_i &:= m'_{i+1} & i \in \{0, \dots, 5\} \\ \hat{r}_i &:= r'_{i+1} & i \in \{0, \dots, 3\} \\ \hat{l}_6 &:= L^{-1}(l'_0 \boxminus l'_4) \\ \hat{m}_6 &:= L^{-1}(m'_0 \boxminus m'_6) \\ \hat{r}_4 &:= r'_0 \boxminus r'_3. \end{aligned}$$

There is, however, an issue here that needs special care: the modified modular addition operator \boxplus is not injective when fixing one argument. When $l'_0 = l'_4 \neq 0$ there are two possible previous left-hand segments, namely, $L(l'_6)$ could be

equal to either 0 or to 31. Therefore, in those cases we have to consider both possible predecessors. Similarly, splitting might happen in the middle and right-hand segments. This issue does not significantly hamper the possibility of unrolling the cipher since it only splits with probability $1/31$ for the left-hand and right-hand segments and with probability $1/127$ for the middle segment. Also, because the result of \boxplus is never 0 unless both operands are 0, there are some states that do not have a predecessor. This happens when $l'_0 = 0$, but $l'_4 \neq 0$.

Next, we simply XOR back the input to recover the previous state:

$$\begin{aligned} l_2 &:= \hat{l}_2 \oplus b_3 b_4 b_5 b_6 b_7 \\ m_4 &:= \hat{m}_4 \oplus b_4 b_5 b_6 b_7 b_0 b_1 b_2 \\ r_1 &:= \hat{r}_1 \oplus b_0 b_1 b_2 b_3 b_4. \end{aligned}$$

Also note that when unrolling the cipher, the three segments operate independently.

4.3 Recovering the key

In this section we use a meet-in-the-middle technique to recover the secret key.

We recall from Section 3.1 that the cipher state s_4 , just before feeding in the key k , is known to an attacker. Observe that the transition function for the right-hand segment only uses five bits $b_0 \dots b_4$ of the input. Therefore, by guessing 20 bits of the key, it is possible to roll the cipher 6 times (feeding in nr_4 and nr_5 accordingly) and compute 2^{20} possibilities for the right-hand segment of s_6 . Similarly starting at the end; we have just recovered the right-hand segment for the state at the start of the generation of the authenticators, i.e., just after feeding in the key. By guessing the other 20 bits of the key, it is possible to unroll the cipher 6 times (feeding in nr_7 and nr_6 accordingly) and obtain another set of 2^{20} candidates for the right-hand segment of s_6 . (Actually, rolling back there are more candidates because of the splitting; in practice this is at most a ten fold increase.) Intersecting these sets of states, since the right-hand segment has 25 bits of entropy and we have guessed 40 bits of the input, we get approximately 2^{15} candidates. In practice, because of the additional splitting when rolling back, we get between 30000 and 66000 candidates for the right-hand segment of s_6 . Note that we do not just get this set of candidates, but for each candidate we also have the leftmost five bits of every byte of the key. So, in fact, we get between 30000 and 66000 candidates for the leftmost five bits of every byte of the key.

Similarly for the left-hand segment, the transition function uses only bits $b_3 \dots b_7$. Just as before, but for each candidate segment l from Section 4.1, we guess two times 20 bits and we meet-in-the-middle at (the left-hand segment of)

s_6 . In practice, we get between 1000 and 3000 candidates. Also here, we do not just obtain this set of candidates, but for each candidate we have the rightmost five bits of every byte of the key. So we get between 1000 and 3000 candidates for the right most five bits of every byte of the key.

We now combine the first set of *left-hand candidates* and the second set of *right-hand candidates*. Of course, a left-hand candidate (40 bits of the key) can only be combined with a right-hand candidate (also 40 bits of the key) if the bits of the key that they share are equal. These are bits b_3 and b_4 of every byte; $8 \cdot 2 = 16$ bits in total. So, we get between $2^{16} \cdot (30000/2^{16}) \cdot (1000/2^{16}) \approx 450$ and $2^{16} \cdot (66000/2^{16}) \cdot (3000/2^{16}) \approx 3000$ candidate keys. Simulating the whole authentication session, which now also involves running the middle segment, with each of these candidate keys reveals what the actual key is.

4.4 Complexity and time

As a basic unit of time, we take one tick of the SecureMemory cipher. As a reference note that an authentication attempt takes 88 ticks which means that a naive brute force attack takes $2^{64} \cdot 88 = 2^{70.5}$ cipher ticks.

The most time in this attack is spent in recovering the set of 10 to 200 candidates for the left-hand segment. Here we have to loop over 2^{35} candidates; for each of those candidates we have to compute a maximum of 64 ticks of the cipher, two for each of the nibbles of ar and at since SecureMemory skips every second output during the generation of the authenticators. (Note, we only have to compute the left-hand segment, so we count this as $\frac{1}{3}$). So this gives a complexity of 2^{39} ticks, comparable to the time it takes to simulate $2^{32.5}$ authentications. Note that for the right-hand segment we only have to loop over 2^{25} candidates and for the meet-in-the-middle key-recovery we only have to build tables of size 2^{20} , so we can ignore that. Also note that when our authentication session does not have the desired property that a single right-hand segment has the highest score, we only have wasted the 2^{25} loop over the possible right-hand segments. Since this happens only with probability $1 - 0.81 = 0.19$ we can ignore this time. After on average $1/0.81 \approx 1.23$ traces, we do have a single candidate for the right-hand segment and with probability 0.71 we recover the key in 2^{39} ticks. This yields an average complexity of $2^{39}/0.71 = 2^{39.5}$ ticks, i.e., the complexity of simulating 2^{33} authentications. On average, this needs $1/0.57 \approx 1.75$ authentication traces. In practice, running this attack on a single-core 2 GHz laptop takes about 10 minutes.

5. ATTACKING CRYPTOMEMORY

We now turn our attention to CryptoMemory. We describe an attack in three phases: recovering the internal state by means of a correlation attack; unrolling the internal state; and recovering the key by means of a meet-in-the-middle attack. There is, however, a major complication. Because the output of the cipher is fed back into the internal state, it is no longer possible to run the three segments independently, at least not under all circumstances. This seriously complicates the recovery of the internal state and also makes unrolling the cipher slightly harder. Finally, we propose a trade-off between the number of authentication traces needed and off-line computation time, similar to the one proposed by Biryukov et al. in [BMS05].

5.1 Recovering the internal state

The starting point for this attack is the same as the one described in Section 4. Although the three segments cannot be run independently as for SecureMemory, because of the feedback from the keystream, it is possible to do so when the keystream is fully known. Now most of the time, CryptoMemory discards several output nibbles when generating keystream. When it generates the tag authenticator ar , however, CryptoMemory does produce 16 consecutive keystream nibbles (namely the last 2 of at and the 14 of ar that it actually generates). Note, by the way, that SecureMemory never produces consecutive keystream nibbles, but there that is not needed for the attack anyway. Let $ks \in (\mathbb{F}_2^4)^{16}$ be those 64 bits of keystream. Knowing that the keystream bits are equal to the output of either the left-hand or the right-hand segment, we define the following score, similar to the one for SecureMemory, but using only the 64 bits of ks .

DEFINITION 5.1. *Consider a guess r for the right-hand segment of the internal state of the cipher just before producing the last byte of ar (the state s_{23} in Section 3.1.2) and consider the 16 output nibbles generated by the right-hand segment that are used to compute ar_{14} , ar_{15} , and at_2 to at_{15} . We define the score of r to be the number of bits that these 16 output nibbles have in common with the actual keystream ks . A similar definition applies for a guess l of the left-hand segment.*

A random segment has an expected score of 32. The correct segment, instead, has an expected score of 48. Although not nearly as pronounced as for SecureMemory, this correlation can be exploited to narrow our search space to segments with high score.

The attack proceeds as follows. An attacker first eavesdrops a number N_t of authentication traces. For each trace it will iterate over all 2^{35} left-hand segments and keep only those with score higher than a threshold N_l . Similarly for the right-hand segment, it will iterate over all 2^{25} right-hand segments and keep only those with score higher than a threshold N_r . We call these segments *candidate segments*, as these are our guesses for the left-hand and right-hand segments of s_{23} . Now, for each (l, r) pair of candidate segments, an adversary could try all 2^{49} middle segments, unroll the cipher as described in Section 5.2 and check if it produces the correct ar nibbles. It is, however, possible to do better than that; we now describe a directed search through these middle segments.

Let $ksl_0 = \text{output}_l(l)$ and $ksr_0 = \text{output}_r(r)$ be the first nibble of output generated by l and r , respectively. Then, since we know the keystream produced, for those bits where ksl_0 is different from ksr_0 , we know what the selector bits are, i.e., some bits of m_0 . On average, we know two bits out of four.

More precisely, for all $j \in \{0, 1, 2, 3\}$

$$\text{if } ksl_{0,j} \oplus ksr_{0,j} = 1, \text{ then } m_{0,j} := ksl_{0,j} \oplus ks_{0,j}. \quad (3)$$

Next, we compute the successor state. We have only partial information on the middle segment, viz., only a few bits of m_0 . Hence, we only get partial information on the middle segment of the successor state, viz., a few bits of m'_1 . We repeat this procedure six times, for ksl_1 and ksr_1 to ksl_6 and ksr_6 , each time obtaining more partial information about

the components of the middle segment. After that there is no extra information gain as we know a number of bits of each component and they start falling off on the right.

So far we have consumed seven out of sixteen keystream nibbles. Next we start searching but keep only those states that are consistent with the remaining keystream. Precisely, we iterate over all $2^7 = 128$ values for m_5 and m_6 , but consider only those that match, respectively, the known bits of m_5 and m_6 . Then we compute the successor state. At this point $m_5 \boxplus L(m_6)$ is assigned to m_0 , m_6 falls out, and m_5 shifts to m_6 . We now check if the newly computed m_0 satisfies the condition

$$\text{if } ksl_{7,j} \oplus ksr_{7,j} = 1, \text{ then } m_{0,j} = ksl_{7,j} \oplus ks_{7,j}$$

and otherwise discard it.

Now that all bits of m_6 are set, we iterate only over all 128 values of m_5 . Again, we compute the successor state and check the corresponding condition. At this point m_0 is shifted one position to the right and a new m_0 is computed from the sum m_5 and m_6 , i.e., we have set all bits of m_1 , m_0 and m_6 . We repeat this procedure four more times, until all seven words of the middle segment are set. This gives us a number of candidates states that depend on the overlap between ksl and ksr . These candidate states can be unrolled as we describe in Section 5.2 and verified against the *ar* nibbles.

5.2 Unrolling the cipher

Just as with SecureMemory, it is also possible to unroll the CryptoMemory cipher. If we are at a state s' and know the keystream f_0f_1 output by the previous state s , the procedure is merely as described in Section 4.2, taking care of setting the input b to $a \oplus f_0f_1$ accordingly. If we do not know the keystream f_0f_1 , we first have to reconstruct it. Of course, reconstructing f_1 is no problem, as $f'_0 = f_1$. Now, first of all, we compute \hat{s} as in Section 4.2 (if splitting happens, consider one possibility for \hat{s}). Write $b = b_0b_1 \dots b_7 = a \oplus f_0f_1$. By Equations (2) and (1), we have

$$\begin{aligned} f_{0,i} &= \begin{cases} l_{1,i+1} \oplus l_{5,i+1} & \text{if } m_{1,i+3} = 0 \\ r_{1,i+1} \oplus r_{4,i+1} & \text{if } m_{1,i+3} = 1 \end{cases} \\ &= \begin{cases} \hat{l}_{1,i+1} \oplus \hat{l}_{5,i+1} & \text{if } \hat{m}_{1,i+3} = 0 \\ \hat{r}_{1,i+1} \oplus \hat{r}_{4,i+1} & \text{if } \hat{m}_{1,i+3} = 1. \end{cases} \end{aligned}$$

Now note that $b_4 = a_4 \oplus f_{1,0} = a_4 \oplus \hat{f}_{1,0}$, so we can use the above equation to compute $f_{0,3}$. Now $b_3 = a_3 \oplus f_{0,3}$, so we can use the above equation again to compute $f_{0,2}$. Doing this twice more, we can also compute $f_{0,1}$ and $f_{0,0}$. Using Equation (1), we can now compute s .

5.3 Recovering the key

As before, we use a meet-in-the-middle technique to recover the secret key. This time the computational complexity of the attack is higher due to the keystream feedback loop, which makes it impossible to treat the left-hand and right-hand segments separately.

Recall that the cipher state s_4 , just before feeding in the key k , is known to an adversary and assume the adversary also knows the state s_8 , e.g., by running the attack described in Section 5.1.

Then, the adversary simply guesses the first 32 bits of k and runs the cipher forward from s_4 , until half way the

initialization protocol, i.e., to state s_6 . This produces a set S_f of 2^{32} candidate states for s_6 .

Similarly, it guesses the last 32 bits of k and runs the cipher backwards (unrolls) from s_8 . This produces a set S_b of candidate states (around $2 \cdot 2^{32}$; the additional factor is because of the states with multiple predecessors). Since we are guessing only two times 32 bits and states consist of 117 bits, there is only one element in $S_f \cap S_b$, namely s_6 . The guessed bits that lead to it constitute the actual key k .

5.4 Complexity and time

As a baseline let us first establish the complexity of a naive brute force attack, again taking cipher ticks as a basic unit of time. For each of the 2^{64} possible keys, we need 125 cipher ticks to simulate an authentication. This adds to a complexity of 2^{71} cipher ticks.

For the first phase of the attack, recovering the internal state, we need to iterate over all 2^{35} left-hand segments and for each of them we need to compute the score, which takes 16/3 cipher ticks. This is of complexity 2^{38} ticks and takes about half an hour on a 2 GHz laptop. We also need to do the same for all 2^{25} right-hand segments, but this can be ignored.

The number of left-right candidates produced depends on the values of N_l and N_r (defined in Section 5.1) and there is a trade-off between the number of traces required for the attack and its computational complexity. As an example we consider two reference configurations: $C_0 := (N_l = 55, N_r = 51)$ and $C_1 := (N_l = 56, N_r = 52)$. Take for example C_0 . Our attack from Section 5.1 will only be able to recover the internal state for those traces with left-hand segment score higher than 55 and right-hand segment score higher than 51. The score of the left-hand and right-hand segments of the correct state are binomially distributed as $\text{Binom}(64, \frac{3}{4})$. Hence the probability that the score of the correct left-hand segment is at least 55 is approximately 0.025 and the probability that the score of the correct right-hand segment is at least 51 is approximately 0.239. Assuming these scores are independent, the probability that both scores satisfy the requirement is $0.025 \cdot 0.239 \approx 0.0060$. Experiments show that the distributions of these scores is indeed very close to binomially distributed, but they are not totally independent. The experimentally observed probability of having both scores meet the requirement is approximately 0.00185. So the expected number of authentication session needed is $1/0.0018 \approx 166$. The score of a random left-hand or right-hand segment is also binomially distributed, but with distribution $\text{Binom}(64, \frac{1}{2})$. The probability of a random segment having a score of 55 or higher is $0.177 \cdot 10^{-8}$ and the probability of a random segment having a score of 51 or higher is $0.95 \cdot 10^{-6}$. So, we expect around $0.177 \cdot 10^{-8} \cdot 2^{35} \approx 60.9$ left-hand segments to have a score of 55 or higher and around $0.95 \cdot 10^{-6} \cdot 2^{25} \approx 31.6$ right-hand segments to have a score of 51 or higher. So this gives approximately $60.9 \cdot 31.6 \approx 1920$ left-right candidates per trace. We established the number of candidates for the middle segment per left-right candidate empirically; we get on average $1.43 \cdot 10^9$ candidates for the middle segment. For each middle segment we need to unroll the cipher at most 64 times. This gives us a total complexity of 2^{55} cipher ticks, comparable to simulating 2^{48} authentications. Assuming we dispose of a cluster of 50 2Ghz quad core computers, all this computation would take about two weeks.

Considering C_1 , the expected number of traces needed to find one in which the correct segment has a score of at least 56 and the correct right-hand segment has a score of at least 52 is $1/0.000378 \approx 2640$ traces. Here we expect only $9.5 \cdot 7.7 \approx 73$ left-right candidates. Experiments show that the number of middle segments per left-right candidate is approximately $2.12 \cdot 10^{10}$. This gives us a total complexity of 2^{52} cipher ticks, i.e., the computational complexity of 2^{45} authentications. With the same computational power this would take less than 2 days of computation.

Once we have recovered the internal state, we need to do the meet-in-the-middle approach described in Section 5.3 to recover the key. For each of the 2^{32} guesses, we need to compute 14 cipher shifts to build the set S_f . Compared to the complexity above, this is negligible. It does require a storage space of around 16 Gb though. Using a 2 GHz computer with enough internal memory, it takes about half an hour to construct and sort this table. Similarly, from the other side we need another 2^{36} cipher ticks to unroll the cipher. Since we only need the intersection of S_f and S_b , we do not actually store S_b , but only do a logarithmic search for each element of S_b in the table for S_f . This whole computation takes another half hour.

6. CONCLUSIONS

In this paper we have described the ciphers used in the product families SecureMemory, CryptoMemory, and CryptoRF. We have shown weaknesses of these ciphers, most notably the fact that the three components of the cipher operate independently (knowing the keystream, in the case of CryptoMemory and CryptoRF) and that there is a strong correlation between the intermediate output of two of those components and the generated keystream. We have shown that an attacker can use these weaknesses and eavesdropped sessions to recover the secret key. For SecureMemory, the attack has a time complexity of 2^{39} cipher ticks; in practice it takes around 10 minutes on a 2 GHz laptop. For CryptoMemory and CryptoRF, the attack has a time complexity of 2^{52} cipher ticks; on a cluster of 50 2 GHz quad core machines, it takes about 5 days to execute the attack. We have implemented the full functionality of the chips in software. We have also implemented the full attacks and tested this on genuine traces.

With this paper we hope to reinforce that proprietary cryptography often leads to insecure products. Security obscurity does not compensate for the lack of public scrutiny since sooner or later the design of the cipher will become public.

We provide more evidence that this kind of LFSR-like ciphers often result in insecure constructions. In particular, that the design techniques of this particular cipher are unsatisfactory.

7. REFERENCES

- [Atm07] Atmel. CryptoMemory specification, 2007. 5211A-SMIC-04/07.
- [BBK08] Elad Barkan, Eli Biham, and Nathan Keller. Instant ciphertext-only cryptanalysis of GSM encrypted communication. *Journal of Cryptology*, 21(3):392–429, 2008.
- [BCM08] Jean Pierre Benhammou, Vincent C. Colnot, and David J. Moore. Secure memory device for smart cards, July 2008. US Patent 7395435 B2.
- [BJ04] Jean Pierre Benhammou and Mary Jarboe. Security at an affordable price. *Atmel Applications Journal*, 3:29–30, 2004.
- [BMS05] Alex Biryukov, Sourav Mukhopadhyay, and Palash Sarkar. Improved time-memory trade-offs with multiple data. In Bart Preneel and Stafford E. Tavares, editors, *Selected Areas in Cryptography*, volume 3897 of *Lecture Notes in Computer Science*, pages 110–127. Springer, 2006.
- [Bog07] Andrey Bogdanov. Linear slide attacks on the KeeLoq block cipher. In *Information Security and Cryptology*, volume 4990 of *Lecture Notes in Computer Science*, pages 66–80. Springer, 2007.
- [CBW08] Nicolas T. Courtois, Gregory V. Bard, and David Wagner. Algebraic and slide attacks on KeeLoq. In *Fast Software Encryption*, volume 5086 of *Lecture Notes in Computer Science*, pages 97–115. Springer, 2008.
- [CGY08] Luo Chunyu, Deng Guishi, and Guo Yanhong. Copyright protection model of embedded systems and its application in digital tv set-top-box. In *Computational Intelligence and Design 2008*, volume 2, pages 130–133. IEEE, 2008.
- [Cou09] Nicolas T. Courtois. The dark side of security by obscurity - and cloning MiFare Classic rail and building passes, anywhere, anytime. In *Proceedings of the International Conference on Security and Cryptography*, pages 331–338. INSTICC Press, 2009.
- [Dip09] Brian Dipert. The Zune HD: more than an iPod touch wanna-be? *EDN*, page 20, October 2009.
- [dKGGH08] Gerhard de Koning Gans, Jaap-Henk Hoepman, and Flavio D. Garcia. A practical attack on the Mifare Classic. In *Smart Card Research and Advanced Applications*, volume 5189 of *Lecture Notes in Computer Science*, pages 267–282. Springer, 2008.
- [Fly08] Flylogic. Atmel CryptoMemory AT88SC153/1608 security alert, 2008. Retrieved from <http://www.flylogic.net/blog/?p=25> on October 13th, 2009.
- [GdKGM⁺08] Flavio D. Garcia, Gerhard de Koning Gans, Ruben Muijers, Peter van Rossum, Roel Verdult, Ronny Wichers Schreur, and Bart Jacobs. Dismantling Mifare Classic. In *Computer Security - ESORICS 2008*, volume 5283 of *Lecture Notes in Computer Science*, pages 97–114. Springer, 2008.
- [GvRVS09] Flavio D. Garcia, Peter van Rossum, Roel Verdult, and Ronny Wichers Schreur. Wirelessly pickpocketing a Mifare Classic card. In *Proceedings of the 2009 IEEE Symposium on Security and Privacy*, pages 3–15. IEEE, 2009.

- [IKD⁺08] Sebastiaan Indesteege, Nathan Keller, Orr Dunkelman, Eli Biham, and Bart Preneel. A practical attack on KeeLoq. In *Advances in Cryptology - EUROCRYPT 2008*, volume 4965 of *Lecture Notes in Computer Science*, pages 1–8. Springer, 2008.
- [Jar04] Mary Jarboe. Introduction to CryptoMemory. *Atmel Applications Journal*, 3:28, 2004.
- [KCP07] Timo Kasper, Dario Curiuccio, and Christof Paar. An embedded system for practical security analysis of contactless smartcards. In *Information Security Theory and Practices*, volume 4462 of *Lecture Notes in Computer Science*, pages 150–160. Springer, 2007.
- [NESP08] Karsten Nohl, David Evans, Starbug, and Henryk Plötz. Reverse engineering a cryptographic RFID tag. In *USENIX Security '08*, pages 185–193, 2008.
- [Rue92] Rainer A. Rueppel. Stream ciphers. *Contemporary cryptology: The science of information integrity*, pages 65–134, 1992.
- [Tec05] Constructivecard Technologies. A review of the cryptomemory algorithm performance, January 2005.
- [ZJS⁺09] Yang Zhenye, Yang Jiexue, Wang Songming, Hong Jiexin, and Chen Kuncheng. New method of hardware encryption against piracy. In *Information Technology and Applications 2009*, volume 2, pages 737–739. IEEE, 2009.