

Experimental Entanglement of a Six-Photon Symmetric Dicke State

Witlef Wieczorek,^{1,2,*} Roland Krischek,^{1,2} Nikolai Kiesel,^{1,2} Patrick Michelberger,^{1,2}
Géza Tóth,^{3,4} and Harald Weinfurter^{1,2}

¹Max-Planck-Institut für Quantenoptik, Hans-Kopfermann-Strasse 1, D-85748 Garching, Germany

²Department für Physik, Ludwig-Maximilians-Universität, D-80797 München, Germany

³IKERBASQUE and Department of Theoretical Physics, The University of the Basque Country,
Post Office Box 644, E-48080 Bilbao, Spain

⁴Research Institute for Solid State Physics and Optics, Hungarian Academy of Sciences,
Post Office Box 49, H-1525 Budapest, Hungary

(Received 12 March 2009; published 10 July 2009)

We report on the experimental observation and characterization of a six-photon entangled Dicke state. We obtain a fidelity as high as 0.654 ± 0.024 and prove genuine six-photon entanglement by, amongst others, a two-setting witness yielding -0.422 ± 0.148 . This state has remarkable properties; e.g., it allows obtaining inequivalent entangled states of a lower qubit number via projective measurements, and it possesses a high entanglement persistency against qubit loss. We characterize the properties of the six-photon Dicke state experimentally by detecting and analyzing the entanglement of a variety of multipartite entangled states.

DOI: 10.1103/PhysRevLett.103.020504

PACS numbers: 03.67.Bg, 03.65.Ud, 03.67.Mn, 42.50.Ex

Multipartite entangled states have been intensively studied during recent years. Still, the experimental realization of entangled states of more than four particles imposes a considerable challenge, and only a few experiments have yet demonstrated such states [1,2]. So far, many experiments have focused on the observation of graph states [3] like the Greenberger-Horne-Zeilinger (GHZ) states or the cluster states [1], which are, e.g., useful for one-way quantum computation [4]. Dicke states form another important group of states, which were first investigated with respect to light emission from a cloud of atoms [5] and have now come into the focus of both experimental realizations [2,6–8] and theoretical studies [9–12]. W states [13], a subgroup of the Dicke states, first received attention triggered by the seminal work on three-qubit classification based on stochastic local operations and classical communication (SLOCC) by Dür, Vidal, and Cirac [13]. Recently it turned out that other symmetric Dicke states also offer important features. Particularly, by applying projective measurements on a few of their qubits, states of different SLOCC entanglement classes are obtained [8,12]. These Dicke states can act as a rich resource of multipartite entanglement as required for quantum information applications.

In our Letter we experimentally implement and analyze a symmetric six-qubit entangled Dicke state. The entanglement of the Dicke state results from symmetrization and cannot be achieved in a simple way by pairwise interaction, in contrast to, e.g., GHZ states. In order to efficiently characterize the experimentally observed state, we developed optimized methods to determine the fidelity, detect entanglement, and characterize further properties. In particular, we analyze representatives from the variety of

multipartite entangled states obtained after projection or loss of qubits.

Generally, Dicke states are simultaneous eigenstates of the total angular momentum, $J_N^2 = J_{N,x}^2 + J_{N,y}^2 + J_{N,z}^2$, and the angular momentum component in the z direction, $J_{N,z}$, where $J_{N,i} = \frac{1}{2} \sum_k \sigma_i^k$ with, e.g., $\sigma_i^3 = \mathbb{1} \otimes \mathbb{1} \otimes \sigma_i \otimes \mathbb{1} \otimes \mathbb{1} \otimes \mathbb{1}$ for $N = 6$ qubits, $i \in \{x, y, z\}$ and σ_i the Pauli spin matrices. A subgroup of the Dicke states is symmetric under permutation of particles and given by

$$|D_N^{(l)}\rangle = \binom{N}{l}^{-1/2} \sum_i \mathcal{P}_i(|H^{\otimes(N-l)}V^{\otimes l}\rangle), \quad (1)$$

where $\sum_i \mathcal{P}_i(\dots)$ means the sum over all distinct symmetric permutations and l is the number of excitations in the usual notation of polarization encoded photonic qubits. In our experiment we focus on the symmetric six-qubit Dicke state with three excitations,

$$|D_6^{(3)}\rangle = (1/\sqrt{20}) \sum_i \mathcal{P}_i(|HHHVVV\rangle). \quad (2)$$

To realize the necessary 20 permutations, three horizontally and three vertically polarized photons in a single spatial mode are distributed by polarization-independent beam splitters into six modes, where $|D_6^{(3)}\rangle$ is observed under the condition of detecting a single photon in each of these modes. This scheme can be seen as a continuation of experiments on $D_2^{(1)}$ [6] and $D_4^{(2)}$ [8] and obviously can be extended to higher even photon numbers.

The experimental observation of $|D_6^{(3)}\rangle$ (Fig. 1) is achieved by utilizing a novel source of collinear type II spontaneous parametric down-conversion (SPDC) based on a femtosecond UV-enhancement resonator [14]. The

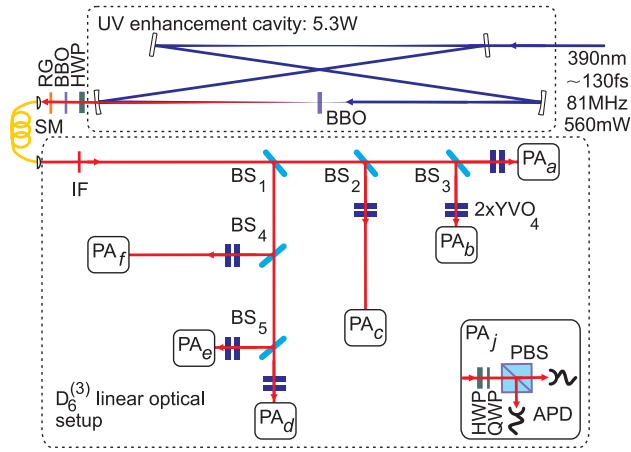


FIG. 1 (color online). Schematic experimental setup for the observation of the Dicke state $|D_6^{(3)}\rangle$. SPDC photons generated in the 1 mm thick β -barium borate (BBO) crystal inside the UV-enhancement cavity pass a half-wave plate (HWP) and a 0.5 mm thick BBO crystal to compensate beam walk-off effects. Their spatial mode is defined by coupling into a single-mode (SM) fiber. Spectral selection is achieved by a band-pass filter (RG) and a 3 nm interference filter (IF) at 780 nm. Birefringence of beam splitters BS_1 – BS_5 (BS_1 – BS_4 have a splitting ratio of 0.58:0.42 and BS_5 of 0.52:0.48) is compensated for by pairs of birefringent Yttrium-vanadate (YVO_4) crystals in the six output modes a, b, c, d, e, f . Polarization analysis (PA_j) in each mode is performed via a HWP and a quarter-wave plate (QWP) in front of a polarizing beam splitter (PBS). The photons are detected by single-photon avalanche photodiodes (APDs). The detection signals of the 12 detectors are fed into a FPGA controlled coincidence logic allowing histogramming of the 2^{12} possible detection events between the 12 detectors.

resonator allows pumping of the SPDC crystal with femto-second pulses with an average UV power of 5.3 W at a repetition rate of 81 MHz [14]. The SPDC photons are coupled out of the cavity by a dichroic mirror transparent at 780 nm, are spatially filtered by a single-mode fiber, and are subsequently distributed in free space by polarization-independent beam splitters. Asymmetry in the splitting ratios of the beam splitters reduces the probability of registering $|D_6^{(3)}\rangle$ (0.0126 compared to the optimal value of $5/324 \approx 0.0154$, yielding a six-photon count rate of 3.7

events per minute), but does not influence the state quality. For all data the errors are deduced from Poissonian counting statistics and errors of independently determined relative detector efficiencies.

The first characteristic feature of the state $|D_6^{(3)}\rangle$ is its structure in the z, x , and y bases (Fig. 2); i.e., when analyzing the photons in the six outputs all either along $|H$ or $V\rangle$, $|\pm\rangle = (1/\sqrt{2})(|H\rangle \pm |V\rangle)$ (linear polarization under 45°) and $|L$ or $R\rangle = (1/\sqrt{2})(|H\rangle \pm i|V\rangle)$ (left or right circular polarization), which, in our notation, are the eigenvectors of σ_z, σ_x , and σ_y , respectively. For the z basis [Fig. 2(a)] we find the pronounced 20 terms that are expected for $|D_6^{(3)}\rangle$. However, we also detect coincidences for $HHVVVV, HHHHVV$, and permutations thereof. These originate from higher orders of the SPDC process, in particular, from the fourth order emission, where, due to the finite detection efficiency, two of these photons can get lost and the remaining six photons will be registered as a sixfold detector click in the output modes. Thus, $|D_6^{(3)}\rangle$ is mixed with highly colored noise, which exhibits different types of entanglement itself depending on the loss type. Insight into the coherence between the observed coincidences can be obtained from measurements in the x [Fig. 2(b)] and y [Fig. 2(c)] bases. The state $|D_6^{(3)}\rangle$ transforms in these bases to $\sqrt{5/8}|GHZ_N^\mp\rangle + \sqrt{3/16}(|D_6^{(4)}\rangle \mp |D_6^{(2)}\rangle)$ with $|GHZ_N^\mp\rangle = (1/\sqrt{2}) \times (|0\rangle^{\otimes N} \mp |1\rangle^{\otimes N})$ and $0 = \{+, L\}$, $1 = \{-, R\}$. We observe the GHZ contribution as pronounced coincidence counts for the left- and rightmost projector. The residual counts from other terms [insets of Figs. 2(b) and 2(c)] make the decisive difference to a GHZ state as they are in a superposition with the GHZ terms. Apart from this, noise on top of all counts is also apparent. Most importantly, while the GHZ state shows its two terms only in a single basis, we observe these features now for two bases, which is directly related to the symmetry of $|D_6^{(3)}\rangle$.

A quantitative measure, indicating how well we prepared $|D_6^{(3)}\rangle$ experimentally, is given by the fidelity $F_{D_6^{(3)}}(\rho) = \text{Tr}(|D_6^{(3)}\rangle\langle D_6^{(3)}|\rho)$. Its determination would require 183 correlation measurements in the standard Pauli bases. However, employing the permutational symmetry of

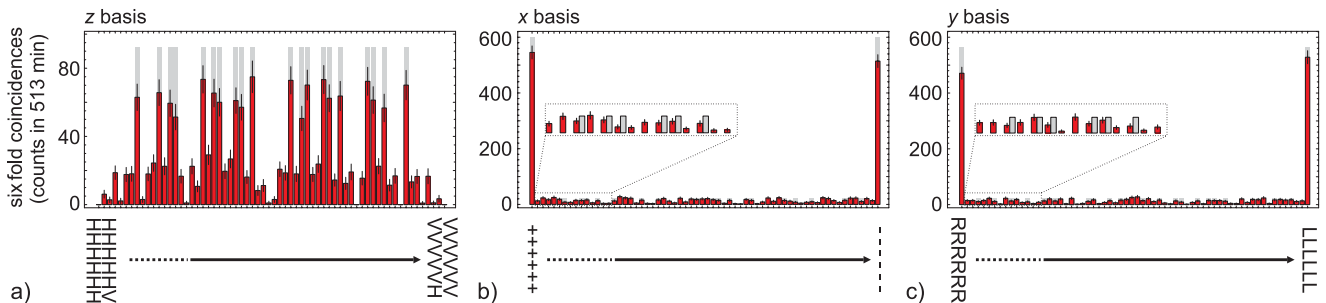


FIG. 2 (color online). Experimentally measured coincidences for the bases (a) z , (b) x , and (c) y with eigenvectors $|H$ or $V\rangle$, $|\pm\rangle$, and $|L$ or $R\rangle$, respectively. Theoretical predictions are shown as pale gray bars normalized to the total number of coincidences. The insets in (b) and (c) are magnified views of a part of all coincidences, where for clarity expected counts are shown next to experimental ones.

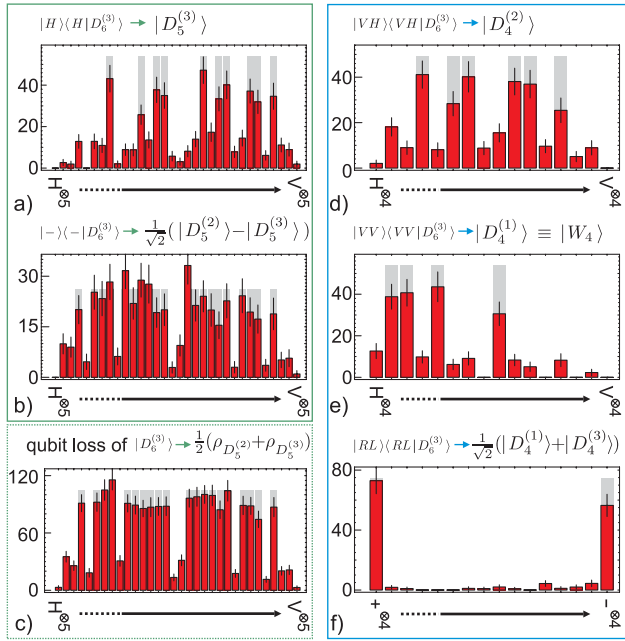


FIG. 3 (color online). Experimentally measured coincidence counts in the z basis [(a)–(e)] and x basis (f) for projections of $|D_6^{(3)}\rangle$ to obtain (a)–(b) five- and (d)–(f) four-qubit entangled states. (c) ρ_5 obtained after a loss of a qubit from $|D_6^{(3)}\rangle$. Each measurement took 279 min. Theoretical predictions are shown as pale gray bars normalized to the total number of coincidences.

the state $|D_6^{(3)}\rangle$ leads to a reduction to only 21 measurement settings [15,16]. We have determined $F_{D_6^{(3)}} = 0.654 \pm 0.024$ with a measurement time of 31.5 h. This allows the application of the generic entanglement witness [10] $\langle \mathcal{W}_g \rangle = 0.6 - F_{D_6^{(3)}} = -0.054 \pm 0.024$ and thus proves genuine six-qubit entanglement of the observed state with a significance of 2 standard deviations (Fig. 4).

Proving entanglement based on witness operators can be much simpler in terms of the number of measurement settings, as due to the symmetry of $|D_6^{(3)}\rangle$ already the two measurements x and y are sufficient [8,10,18]. The generic form of such a witness is given by $\mathcal{W}_N(\alpha) = \alpha \cdot \mathbb{1}^{\otimes N} - (J_{N,x}^2 + J_{N,y}^2)$, where α is obtained by numerical optimization over all biseparable states. For the state $|D_6^{(3)}\rangle$ $\mathcal{W}_6(11.0179)$ [15] has a minimal value of -0.9821 . In our experiment we have obtained with the data shown in Figs. 2(b) and 2(c) $\langle \mathcal{W}_6(11.0179) \rangle = -0.422 \pm 0.148$, i.e., after a measurement time of only 17.1 h a higher significance for proving six-qubit entanglement compared to the generic witness (Fig. 4). A different witness, allowing additionally to estimate the fidelity and requiring three measurement settings only, can be obtained by considering higher moments of the $J_{6,i}$ operators and is given as $\mathcal{W} = 1.5 \cdot \mathbb{1}^{\otimes 6} - \sum_{i=x,y,z} \sum_{j=1}^3 c_{ij} J_{6,i}^{2j}$ [15], with $c_{ij} = (-1/45, 1/36, -1/180; -1/45, 1/36, -1/180; 1007/360, -31/36, 23/360)$. Experimentally, using the three measurements of Fig. 2 we obtain $\langle \mathcal{W} \rangle = -0.105 \pm 0.040$

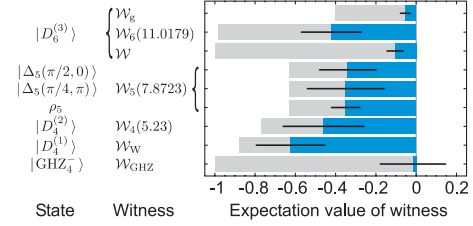


FIG. 4 (color online). Experimental results [dark gray (blue)] and theoretical predictions (pale gray) are shown for the various entanglement witnesses for different states (see text). Negative values prove genuine N -partite entanglement.

yielding also a quite accurate bound on the fidelity [15] of $F_{D_6^{(3)}} \geq 0.6 - \langle \mathcal{W} \rangle / 2.5 = 0.642 \pm 0.016$ (Fig. 4).

Another method to reveal entanglement and additionally the nonclassical nature of a quantum state are Bell inequalities. Introduced with the aim to exclude a local-realistic description of measurement results [19,20], they recently became important tools in quantum information processing, e.g., for security analysis [21] or for state discrimination [22,23]. A Bell operator well suited for the latter task is given by $\hat{\mathcal{B}}_{D_6^{(3)}} = \frac{4}{5}(\sigma_x \otimes M_5 + \sigma_y \otimes M'_5)$, where M_5 and M'_5 are five-qubit Mermin operators [20,23,24]. The associated Bell inequality, $|\langle \hat{\mathcal{B}}_{D_6^{(3)}} \rangle_{\text{avg}}| \leq 0.4$, is maximally violated by the six-photon Dicke state ($\langle \hat{\mathcal{B}}_{D_6^{(3)}} \rangle_{D_6^{(3)}} = 1$) and much less, e.g., by any six-qubit GHZ state ($\langle \hat{\mathcal{B}}_{D_6^{(3)}} \rangle_{\text{GHZ}, \text{max}} = 0.85$). This again is a consequence of the symmetry of $|D_6^{(3)}\rangle$. While an inequality based on any of the two Mermin terms is maximally violated by a GHZ state, the violation of their sum is only maximal for $|D_6^{(3)}\rangle$ due to its symmetry and equal form in the x and y bases. The experimental value of $\langle \hat{\mathcal{B}}_{D_6^{(3)}} \rangle_{\text{expt}} = 0.43 \pm 0.02$ shows that there is no local-realistic model describing this state, yet due to the higher order SPDC noise, it is not sufficient to discriminate against GHZ states.

The characteristic symmetry and entanglement of $|D_6^{(3)}\rangle$ enables one to observe a wealth of five- and four-qubit entangled states that can be obtained by projective measurements or qubit loss [12]. When we project one of the qubits onto $\cos\theta|V\rangle + \sin\theta e^{-i\phi}|H\rangle$, we first obtain superpositions of five-qubit Dicke states, $|\Delta_5(\theta, \phi)\rangle = \cos\theta|D_5^{(2)}\rangle + \sin\theta e^{i\phi}|D_5^{(3)}\rangle$ with θ, ϕ real. These states belong to two different SLOCC classes, one for the values $\theta = 0$ or $\theta = \pi/2$ and the other one for the remaining value range [12]. Figures 3(a) and 3(b) show measurements in the z basis for a representative state of the two classes, obtained by projecting a qubit either onto $|H\rangle$ [$|\Delta_5(\pi/2, 0)\rangle = |D_5^{(3)}\rangle$] or onto $|-\rangle$ [$|\Delta_5(\pi/4, \pi)\rangle = (1/\sqrt{2})(|D_5^{(2)}\rangle - |D_5^{(3)}\rangle)$]. Figure 4 shows measured expectation values of optimized entanglement witnesses for detecting genuine N -qubit entanglement of these and the following states. When a qubit of $|D_6^{(3)}\rangle$ is lost, one obtains

$\rho_5 = \frac{1}{2}(\rho_{D_5^{(2)}} + \rho_{D_5^{(3)}})$, i.e., an equal mixture of $|D_5^{(2)}\rangle$ and $|D_5^{(3)}\rangle$ [Fig. 3(c)]. Remarkably and in sharp contrast to the case of losing a qubit from a GHZ_6 state, this mixed state is also genuine five-qubit entangled (Fig. 4). This fact now clearly provides, after all, a criterion to definitely distinguish these two prominent states and demonstrates the entanglement persistency [25] of $|D_6^{(3)}\rangle$.

By means of a second projective measurement we obtain a variety of SLOCC-inequivalent four-qubit states. In Fig. 3 we exemplarily show coincidences for three of those states. The state $|D_4^{(2)}\rangle$ [8] [Fig. 3(d)] is obtained by projection of one qubit onto $|V\rangle$ and another one onto $|H\rangle$. By projecting two qubits onto the same polarization (here $|V\rangle$) for the first time the four-photon W state [11,26], i.e., $|D_4^{(1)}\rangle$, could be observed in a linear optics experiment [Fig. 3(e)]. Both states are clearly genuine four-partite entangled [8,27] as depicted in Fig. 4. We have determined fidelities of $F_{D_4^{(2)}} = 0.682 \pm 0.022$ and $F_{D_4^{(1)}} = 0.619 \pm 0.043$ using optimized measurement settings [15,17]. Possible applications of $|D_4^{(1)}\rangle$ and $|D_4^{(2)}\rangle$ comprise, for example, quantum telecloning, teleportation, and secret sharing [8,9,28,29]. Most remarkably, one can also obtain a four-qubit GHZ state, which is suitable for, e.g., secret sharing [29]. As mentioned before, there is a strong GHZ component in the state $|D_6^{(3)}\rangle$. Considering the representation in the y basis [Fig. 2(c)], a projection of one photon onto $|R\rangle$ and another one onto $|L\rangle$ filters out just this GHZ component, but the remaining terms coherently superimpose to a four-qubit GHZ state, $|\text{GHZ}_4^-\rangle = (1/\sqrt{2}) \times (|D_4^{(1)}\rangle + |D_4^{(3)}\rangle) = (1/\sqrt{2})(|+\rangle^{\otimes 4} - |-\rangle^{\otimes 4})$. The fourfold coincidence counts shown in Fig. 3(f) reveal the characteristic GHZ structure. However, for this state a two-setting witness measurement [30] resulted in a value of $\langle \mathcal{W}_{\text{GHZ}} \rangle = -0.016 \pm 0.162$, which is not sufficient to prove entanglement with the relevant significance and can be attributed to the low fidelity of $F_{\text{GHZ}} = 0.528 \pm 0.042$ and the asymmetric GHZ structure [Fig. 3(f)].

Altogether, we have experimentally demonstrated in this Letter remarkable entanglement properties of the Dicke state $|D_6^{(3)}\rangle$. It exhibits a high symmetry with characteristic correlations in various bases. As shown, this makes it a perfect resource for observing a wealth of different SLOCC-inequivalent states of a lower qubit number. The novel setup presented here allows experiments with a sufficient count rate and lays the foundations for demonstrations of important applications of $|D_6^{(3)}\rangle$, e.g., for phase-covariant telecloning, multipartite quantum communication, or entanglement enhanced phase measurements.

We would like to thank Christian Schmid, Wiesław Laskowski, Akira Ozawa, and Thomas Udem for helpful discussions. We acknowledge the support of this work by the DFG-Cluster of Excellence MAP, the EU Project QAP, and the DAAD/MNiSW exchange program. W.W. acknowledges the support of QCCC of the Elite Network

of Bavaria and the Studienstiftung des dt. Volkes. G. T. is thankful for the support of the National Research Fund of Hungary OTKA (T049234).

*witlef.wieczorek@mpq.mpg.de

- [1] D. Leibfried *et al.*, Nature (London) **438**, 639 (2005); C.-Y. Lu *et al.*, Nature Phys. **3**, 91 (2007); Phys. Rev. Lett. **102**, 030502 (2009).
- [2] H. Häffner *et al.*, Nature (London) **438**, 643 (2005).
- [3] M. Hein, J. Eisert, and H.J. Briegel, Phys. Rev. A **69**, 062311 (2004).
- [4] R. Raussendorf and H.J. Briegel, Phys. Rev. Lett. **86**, 5188 (2001); P. Walther *et al.*, Nature (London) **434**, 169 (2005).
- [5] R. H. Dicke, Phys. Rev. **93**, 99 (1954).
- [6] T. E. Kiess *et al.*, Phys. Rev. Lett. **71**, 3893 (1993).
- [7] M. Eibl *et al.*, Phys. Rev. Lett. **92**, 077901 (2004); H. Mikami *et al.*, Phys. Rev. Lett. **95**, 150404 (2005).
- [8] N. Kiesel *et al.*, Phys. Rev. Lett. **98**, 063604 (2007).
- [9] A. Sen(De) *et al.*, Phys. Rev. A **68**, 062306 (2003); P. Agrawal and A. Pati, Phys. Rev. A **74**, 062320 (2006); C. Thiel *et al.*, Phys. Rev. Lett. **99**, 193602 (2007); O. Gühne, F. Bodoky, and M. Blaauboer, Phys. Rev. A **78**, 060301(R) (2008).
- [10] G. Tóth, J. Opt. Soc. Am. B **24**, 275 (2007).
- [11] T. Tashima *et al.*, Phys. Rev. A **77**, 030302(R) (2008).
- [12] W. Wieczorek *et al.*, Phys. Rev. A **79**, 022311 (2009).
- [13] W. Dür, G. Vidal, and J. I. Cirac, Phys. Rev. A **62**, 062314 (2000); A. Zeilinger, M. A. Horne, and D. M. Greenberger, NASA Conf. Publ. No. 3135, 1997.
- [14] R. Krischek *et al.* (unpublished).
- [15] G. Tóth *et al.*, arXiv:0903.3910.
- [16] $|D_6^{(3)}\rangle\langle D_6^{(3)}| = \{-0.6[1] + 0.05([x \pm y \pm 1] - [x \pm z \pm 1] - [y \pm z \pm 1] - [x \pm y \pm z]) + 0.2([x \pm z] + [y \pm z]) + 0.1([x \pm y] + 0.3([x \pm 1] + [y \pm 1]) - 0.6([x] + [y]) + 0.2[z \pm 1] - 0.1[z \pm i1] - 0.2[z] + 0.6(M_{x,z} + M_{y,z}))/64$ with $M_{ij} = \frac{16}{3} \sum_{k=1}^6 [\cos(k\pi/6)\sigma_i + \sin(k\pi/6)\sigma_j]$, $[x + y] = (\sigma_x + \sigma_y)^{\otimes 6}$, and $[x \pm y] = [x + y] + [x - y]$, etc. For decomposition of M_{ij} see [17].
- [17] O. Gühne *et al.*, Phys. Rev. A **76**, 030305(R) (2007).
- [18] G. Tóth *et al.*, Phys. Rev. Lett. **99**, 250405 (2007).
- [19] J. S. Bell, Physics **1**, 195 (1964).
- [20] N. D. Mermin, Phys. Rev. Lett. **65**, 1838 (1990).
- [21] P. W. Shor and J. Preskill, Phys. Rev. Lett. **85**, 441 (2000); A. Acin, N. Gisin, and L. Masanes, Phys. Rev. Lett. **97**, 120405 (2006).
- [22] C. Schmid *et al.*, Phys. Rev. Lett. **100**, 200407 (2008).
- [23] C. Schmid *et al.*, arXiv:0804.3154.
- [24] $M_5 = [-\sum_i \mathcal{P}_i(\sigma_z \otimes \sigma_z \otimes \sigma_x \otimes \sigma_x \otimes \sigma_x) + \sum_i \mathcal{P}_i(\sigma_z \otimes \sigma_z \otimes \sigma_z \otimes \sigma_z \otimes \sigma_x) + \sigma_x^{\otimes 5}]/16$; M'_5 , exchange σ_x with σ_y .
- [25] M. Bourennane *et al.*, Phys. Rev. Lett. **96**, 100502 (2006).
- [26] X. B. Zou, K. Pahlke, and W. Mathis, Phys. Rev. A **66**, 044302 (2002); Y. Li and T. Kobayashi, Phys. Rev. A **70**, 014301 (2004).
- [27] $\mathcal{W}_W = \mathcal{W}_4(5.5934) + 1.47(J_{4,z}^2 - 2J_{4,z})$ [15].
- [28] M. Murao *et al.*, Phys. Rev. A **59**, 156 (1999).
- [29] M. Hillery, V. Buzek, and A. Berthiaume, Phys. Rev. A **59**, 1829 (1999).
- [30] G. Tóth and O. Gühne, Phys. Rev. Lett. **94**, 060501 (2005).