

See discussions, stats, and author profiles for this publication at: <https://www.researchgate.net/publication/316736569>

# Exploring Cosmic Origins with CORE: The Instrument

Article · May 2017

CITATIONS

12

READS

257

130 authors, including:



**Peter Ade**

Cardiff University

1,292 PUBLICATIONS 52,752 CITATIONS

[SEE PROFILE](#)



**J.J.A. Baselmans**

Netherlands Institute for Space Research, Utrecht

156 PUBLICATIONS 3,830 CITATIONS

[SEE PROFILE](#)



**Franciasco Casas**

Real Jardín Botánico, Madrid

130 PUBLICATIONS 636 CITATIONS

[SEE PROFILE](#)

Some of the authors of this publication are also working on these related projects:



SUN Project [View project](#)



CMB Polarization Studies [View project](#)

# Exploring Cosmic Origins with CORE: The Instrument

P. de Bernardis,<sup>1,2,a</sup> P. A. R. Ade,<sup>3</sup> J.J.A. Baselmans,<sup>4</sup> E. S. Battistelli,<sup>1,2</sup> A. Benoit,<sup>5</sup> M. Bersanelli,<sup>6,7</sup> A. Bideaud,<sup>5</sup> M. Calvo,<sup>5</sup> F. J. Casas,<sup>8</sup> G. Castellano,<sup>9</sup> A. Catalano,<sup>10</sup> I. Charles,<sup>11</sup> I. Colantoni,<sup>1</sup> A. Coppolecchia,<sup>1,2</sup> M. Crook,<sup>12</sup> G. D'Alessandro,<sup>1,2</sup> M. De Petris,<sup>1,2</sup> J. Delabrouille,<sup>13</sup> S. Doyle,<sup>14</sup> C. Franceschet,<sup>6</sup> A. Gomez,<sup>15</sup> J. Goupy,<sup>5</sup> S. Hanany,<sup>16</sup> M. Hills,<sup>17</sup> L. Lamagna,<sup>1,2</sup> J. Macias-Perez,<sup>10</sup> B. Maffei,<sup>18</sup> S. Martin,<sup>11</sup> E. Martinez-Gonzalez,<sup>8</sup> S. Masi,<sup>1,2</sup> D. McCarthy,<sup>19</sup> A. Mennella,<sup>6</sup> A. Monfardini,<sup>5</sup> F. Noviello,<sup>3</sup> A. Paiella,<sup>1,2</sup> F. Piacentini,<sup>1,2</sup> M. Piat,<sup>13</sup> G. Pisano,<sup>3</sup> G. Signorelli,<sup>20</sup> C. Y. Tan,<sup>16</sup> A. Tartari,<sup>13</sup> N. Trappe,<sup>19</sup> S. Triqueneaux,<sup>5</sup> C. Tucker,<sup>3</sup> G. Vermeulen,<sup>5</sup> K. Young,<sup>16</sup> M. Zannoni,<sup>21,22</sup> A. Achúcarro,<sup>23,24</sup> R. Allison,<sup>25</sup> M. Ashdown,<sup>26,27</sup> M. Ballardini,<sup>28,29,30</sup> A. J. Banday,<sup>31</sup> R. Banerji,<sup>13</sup> J. Bartlett,<sup>13</sup> N. Bartolo,<sup>28,32,33</sup> S. Basak,<sup>34,35</sup> A. Bonaldi,<sup>36</sup> M. Bonato,<sup>37,35</sup> J. Borrill,<sup>38</sup> F. Bouchet,<sup>39</sup> F. Boulanger,<sup>18</sup> T. Brinckmann,<sup>40</sup> M. Bucher,<sup>13</sup> C. Burigana,<sup>29,42,30</sup> A. Buzzelli,<sup>1,42,43</sup> Z. Y. Cai,<sup>44</sup> C. S. Carvalho,<sup>45</sup> A. Challinor,<sup>46</sup> J. Chluba,<sup>47</sup> S. Clesse,<sup>40</sup> G. De Gasperis,<sup>42,43</sup> G. De Zotti,<sup>48</sup> E. Di Valentino,<sup>39,49</sup> J. M. Diego,<sup>8</sup> J. Errard,<sup>50</sup> S. Feeney,<sup>26,51</sup> R. Fernandez-Cobos,<sup>8</sup> F. Finelli,<sup>29,30</sup> F. Forastieri,<sup>52</sup> S. Galli,<sup>39</sup> R. Génova-Santos,<sup>53,54</sup> M. Gerbino,<sup>55</sup> J. González-Nuevo,<sup>56</sup> S. Hagstotz,<sup>57,58</sup> J. Greenslade,<sup>26</sup> W. Handley,<sup>26,27</sup> C. Hernández-Monteagudo,<sup>59</sup> C. Hervias-Caimapo,<sup>47</sup> E. Hivon,<sup>39</sup> K. Kiiveri,<sup>60,61</sup> T. Kisner,<sup>62</sup> T. Kitching,<sup>63</sup> E. Komatsu,<sup>64</sup> M. Kunz,<sup>65</sup> H. Kurki-Suonio,<sup>60,61</sup> A. Lasenby,<sup>26,27</sup> M. Lattanzi,<sup>52</sup> J. Lesgourgues,<sup>40</sup> A. Lewis,<sup>66</sup> M. Liguori,<sup>28,32,48</sup> V. Lindholm,<sup>60,61</sup> G. Luzzi,<sup>1</sup> C. J. A. P. Martins,<sup>65</sup> A. Melchiorri,<sup>1,2</sup> J. B. Melin,<sup>10</sup> D. Molinari,<sup>41,52,29</sup> P. Natoli,<sup>41,52</sup> M. Negrello,<sup>3</sup> A. Notari,<sup>66</sup> D. Paoletti,<sup>29,30</sup> G. Patanchon,<sup>13</sup> L. Polastri,<sup>41,52</sup> G. Polenta,<sup>69,70</sup> A. Pollo,<sup>71</sup> V. Poulin,<sup>72,40</sup> M. Quartin,<sup>73,74</sup> M. Remazeilles,<sup>47</sup> M. Roman,<sup>75</sup> J. A.

<sup>a</sup>Corresponding author

**Rubiño-Martín,<sup>53,54</sup> L. Salvati,<sup>1,2</sup> M. Tomasi,<sup>6,7</sup> D. Tramonte,<sup>53</sup>  
T. Trombetti,<sup>29,42,30</sup> J. Väliviita,<sup>60,61</sup> R. Van de Weijgaert,<sup>4,59</sup> B.  
van Tent,<sup>76</sup> V. Vennin,<sup>77</sup> P. Vielva,<sup>8</sup> N. Vittorio,<sup>42,43</sup> for the  
*CORE* collaboration**

<sup>1</sup>Dipartimento di Fisica, Università di Roma La Sapienza , P.le A. Moro 2, 00185 Roma, Italy

<sup>2</sup>INFN, Sezione di Roma, P.le A. Moro 2, 00185 Roma, Italy

<sup>3</sup>School of Physics and Astronomy, Cardiff University, The Parade, Cardiff CF24 3AA, UK

<sup>4</sup>SRON - Netherlands Institute for Space Research, Sorbonnelaan 2, 3584 CA - Utrecht, The Netherlands

<sup>5</sup>Institut Néel, CNRS and Université Grenoble Alpes, F-38042 Grenoble, France

<sup>6</sup>Dipartimento di Fisica, Università degli Studi di Milano, Via Celoria 16, I-20133 Milano, Italy

<sup>7</sup>INAF IASF, Via Bassini 15, I-20133 Milano, Italy

<sup>8</sup>Instituto de Física de Cantabria (CSIC-UC), Avda. los Castros s/n, 39005 Santander, Spain

<sup>9</sup>Istituto di Fotonica e Nanotecnologie - CNR, Via Cineto Romano 42, I-00156 Roma, Italy

<sup>10</sup>Laboratoire de Physique Subatomique & Cosmologie IN2P3 (CNRS), Université Grenoble Alpes, Grenoble, FR

<sup>11</sup>Univ. Grenoble Alpes, CEA INAC-SBT, 38000 Grenoble, France

<sup>12</sup>STFC - RAL Space - Rutherford Appleton Laboratory, OX11 0QX Harwell Oxford, UK

<sup>13</sup>APC, AstroParticule et Cosmologie, Université Paris Diderot, CNRS/IN2P3, CEA/lrfu, Observatoire de Paris, Sorbonne Paris Cité, 10, rue Alice Domon et Léonie Duquet, 75205 Paris Cedex 13, France

<sup>14</sup>School of Physics and Astronomy, Cardiff University, The Parade, Cardiff CF24 3AA, UK

<sup>15</sup>Centro de Astrobiología (INTA-CSIC), Ctra. Torrejon-Ajalvir km. 4, 28850 Torrejon de Ardoz, Spain

<sup>16</sup>School of Physics and Astronomy and Minnesota Institute for Astrophysics, University of Minnesota/Twin Cities, USA

<sup>17</sup>STFC - RAL Space - Rutherford Appleton Laboratory, OX11 0QX Harwell Oxford, UK

<sup>18</sup>Institut d'Astrophysique Spatiale, CNRS, UMR 8617, Université Paris-Sud 11, Bâtiment 121, 91405 Orsay, France

<sup>19</sup>Department of Experimental Physics, Maynooth University, Maynooth, Co. Kildare, W23 F2H6, Ireland

<sup>20</sup>INFN, Sezione di Pisa, Largo Bruno Pontecorvo 2, 56127 Pisa, Italy

<sup>21</sup>Dipartimento di Fisica, Università di Milano Bicocca, Milano, Italy

<sup>22</sup>INFN, sezione di Milano Bicocca, Milano, Italy

<sup>23</sup>Instituut-Lorentz for Theoretical Physics, Universiteit Leiden, 2333 CA, Leiden, The Netherlands

<sup>24</sup>Department of Theoretical Physics, University of the Basque Country UPV/EHU, 48040 Bilbao, Spain

<sup>25</sup>Institute of Astronomy, Madingley Road, Cambridge, CB3 0HA, UK

<sup>26</sup>Astrophysics Group, Cavendish Laboratory, Cambridge, CB3 0HE, UK

<sup>27</sup>Kavli Institute for Cosmology, Madingley Road, Cambridge, CB3 0HA, UK

- <sup>28</sup>DIFA, Dipartimento di Fisica e Astronomia, Università di Bologna, Viale Berti Pichat, 6/2, I-40127 Bologna, Italy
- <sup>29</sup>INAF/IASF Bologna, via Gobetti 101, I-40129 Bologna, Italy
- <sup>30</sup>INFN, Sezione di Bologna, Via Irnerio 46, I-40127 Bologna, Italy
- <sup>31</sup>Université de Toulouse, UPS-OMP, IRAP, F-31028 Toulouse cedex 4, France, and CNRS, IRAP, 9 Av. colonel Roche, BP 44346, F-31028 Toulouse cedex 4, France
- <sup>32</sup>INFN, Sezione di Padova, Via Marzolo 8, I-35131 Padova, Italy
- <sup>33</sup>INAF-Osservatorio Astronomico di Padova, Vicolo dell Osservatorio 5, I-35122 Padova, Italy
- <sup>34</sup>Department of Physics, Amrita School of Arts & Sciences, Amritapuri, Amrita Vishwa Vidyapeetham, Amrita University, Kerala 690525 India
- <sup>35</sup>SISSA, Via Bonomea 265, 34136, Trieste, Italy
- <sup>36</sup>Jodrell Bank Centre for Astrophysics, School of Physics and Astronomy, The University of Manchester, Oxford Road, Manchester M13 9PL, UK
- <sup>37</sup>Department of Physics & Astronomy, Tufts University, 574 Boston Avenue, Medford, MA, USA
- <sup>38</sup>Computational Cosmology Center, Lawrence Berkeley National Laboratory, Berkeley, California, U.S.A.
- <sup>39</sup>Institut d' Astrophysique de Paris (UMR7095: CNRS & UPMC-Sorbonne Universities), F-75014, Paris, France
- <sup>40</sup>Institute for Theoretical Particle Physics and Cosmology (TTK), RWTH Aachen University, D-52056 Aachen, Germany.
- <sup>41</sup>Dipartimento di Fisica e Scienze della Terra, Università di Ferrara, Via Giuseppe Saragat 1, I-44122 Ferrara, Italy
- <sup>42</sup>Dipartimento di Fisica, Università di Roma Tor Vergata, Via della Ricerca Scientifica 1, I-00133, Roma, Italy
- <sup>43</sup>INFN, Sezione di Roma 2, Via della Ricerca Scientifica 1, I-00133, Roma, Italy
- <sup>44</sup>CAS Key Laboratory for Research in Galaxies and Cosmology, Department of Astronomy, University of Science and Technology of China, Hefei, Anhui 230026, China
- <sup>45</sup>Institute of Astrophysics and Space Sciences, University of Lisbon, Tapada da Ajuda, 1349-018 Lisbon, Portugal
- <sup>46</sup>DAMTP, Centre for Mathematical Sciences, Wilberforce road, Cambridge, CB3 0WA, UK
- <sup>47</sup>Jodrell Bank Centre for Astrophysics, School of Physics and Astronomy, The University of Manchester, Oxford Road, Manchester M13 9PL, UK
- <sup>48</sup>INAF-Osservatorio Astronomico di Padova, Vicolo dell Osservatorio 5, I-35122 Padova, Italy
- <sup>49</sup>Sorbonne Universités, Institut Lagrange de Paris (ILP), F-75014, Paris, France
- <sup>50</sup>Institut Lagrange, LPNHE, place Jussieu 4, 75005 Paris, France.
- <sup>51</sup>Center for Computational Astrophysics, 160 5th Avenue, New York, NY 10010, USA
- <sup>52</sup>INFN, Sezione di Ferrara, Via Saragat 1, 44122 Ferrara, Italy
- <sup>53</sup>Instituto de Astrofísica de Canarias, C/Vía Láctea s/n, La Laguna, Tenerife, Spain
- <sup>54</sup>Departamento de Astrofísica, Universidad de La Laguna (ULL), La Laguna, Tenerife, 38206 Spain
- <sup>55</sup>The Oskar Klein Centre for Cosmoparticle Physics, Department of Physics, Stockholm University, AlbaNova, SE-106 91 Stockholm, Sweden
- <sup>56</sup>Departamento de Física, Universidad de Oviedo, C. Calvo Sotelo s/n, 33007 Oviedo, Spain

- <sup>57</sup>Centro de Estudios de Física del Cosmos de Aragón (CEFCA), Plaza San Juan, 1, planta 2, E-44001, Teruel, Spain
- <sup>58</sup>Faculty of Physics, Ludwig-Maximilians Universität, Scheinerstrasse 1, D-81679 Munich, Germany
- <sup>59</sup>Excellence Cluster Universe, Boltzmannstr. 2, D-85748 Garching, Germany
- <sup>60</sup>Department of Physics, Gustaf Hällströmin katu 2a, University of Helsinki, Helsinki, Finland
- <sup>61</sup>Helsinki Institute of Physics, Gustaf Hällströmin katu 2, University of Helsinki, Helsinki, Finland
- <sup>62</sup>Computational Cosmology Center, Lawrence Berkeley National Laboratory, Berkeley, California, U.S.A.
- <sup>63</sup>Mullard Space Science Laboratory, University College London, Holmbury St Mary, Dorking, Surrey RH5 6NT, UK
- <sup>64</sup>Max-Planck-Institut für Astrophysik, D-85741 Garching, Germany
- <sup>65</sup>Département de Physique Théorique and Center for Astroparticle Physics, Université de Genève, 24 quai Ansermet, CH-1211 Genève 4, Switzerland
- <sup>66</sup>Department of Physics & Astronomy, University of Sussex, Brighton BN1 9QH, UK
- <sup>67</sup>Centro de Astrofísica da Universidade do Porto and IA-Porto, Rua das Estrelas, 4150-762 Porto, Portugal
- <sup>68</sup>Departamento de Física Quàntica i Astrofísica i Institut de Ciències del Cosmos, Universitat de Barcelona, Martí Franquès 1, 08028 Barcelona, Spain
- <sup>69</sup>Agenzia Spaziale Italiana Science Data Center, Via del Politecnico snc, 00133, Roma, Italy
- <sup>70</sup>INAF - Osservatorio Astronomico di Roma, via di Frascati 33, Monte Porzio Catone, Italy
- <sup>71</sup>National Center for Nuclear Research, ul. Hoża 69, 00-681 Warsaw, Poland, and The Astronomical Observatory of the Jagiellonian University, ul. Orła 171, 30-244 Kraków, Poland
- <sup>72</sup>LAPTh, Université Savoie Mont Blanc & CNRS, BP 110, F-74941 Annecy-le-Vieux Cedex, France
- <sup>73</sup>Instituto de Física, Universidade Federal do Rio de Janeiro, 21941-972, Rio de Janeiro, Brazil
- <sup>74</sup>Observatório do Valongo, Universidade Federal do Rio de Janeiro, Ladeira Pedro Antônio 43, 20080-090, Rio de Janeiro, Brazil
- <sup>75</sup>Laboratoire de Physique Nucléaire et des Hautes Énergies (LPNHE), Université Pierre et Marie Curie, Paris, France
- <sup>76</sup>Laboratoire de Physique Théorique (UMR 8627), CNRS, Université Paris-Sud, Université Paris Saclay, Bâtiment 210, 91405 Orsay Cedex, France
- <sup>77</sup>Institute of Cosmology and Gravitation, University of Portsmouth, Dennis Sciama Building, Burnaby Road, Portsmouth PO1 3FX, United Kingdom
- E-mail: [paolo.debernardis@roma1.infn.it](mailto:paolo.debernardis@roma1.infn.it)

**Abstract.** We describe a space-borne, multi-band, multi-beam polarimeter aiming at a precise and accurate measurement of the polarization of the Cosmic Microwave Background. The instrument is optimized to be compatible with the strict budget requirements of a medium-size space mission within the Cosmic Vision Programme of the European Space Agency. The instrument has no moving parts, and uses arrays of diffraction-limited Kinetic Inductance Detectors to cover the frequency range from 60 GHz to 600 GHz in 19 wide bands, in the focal plane of a 1.2 m aperture telescope cooled at 40 K, allowing for an accurate extraction

of the CMB signal from polarized foreground emission. The projected CMB polarization survey sensitivity of this instrument, after foregrounds removal, is  $1.7 \mu\text{K}\cdot\text{arcmin}$ . The design is robust enough to allow, if needed, a downscoped version of the instrument covering the 100 GHz to 600 GHz range with a 0.8 m aperture telescope cooled at 85 K, with a projected CMB polarization survey sensitivity of  $3.2 \mu\text{K}\cdot\text{arcmin}$ .

---

## Contents

<b>1</b>	<b>Introduction</b>	<b>2</b>
<b>2</b>	<b>Telescope</b>	<b>5</b>
2.1	Gregorian Design	6
2.1.1	All Reflective Design	6
2.1.2	Reflective/Refractive Design	7
2.2	Crossed Dragone	9
2.3	Telescope Summary	12
<b>3</b>	<b>Polarization Modulator</b>	<b>12</b>
<b>4</b>	<b>Focal Plane</b>	<b>13</b>
4.1	Mission Constraints	13
4.2	Radiation Coupling	14
<b>5</b>	<b>Detectors</b>	<b>17</b>
5.1	Detection Technology	18
5.2	Low Frequencies (channels: 60 GHz - 115 GHz):	18
5.3	CMB Frequencies (channels: 130 GHz - 220 GHz):	20
5.4	High Frequencies (channels: 255 GHz - 600 GHz):	21
5.5	KID Susceptibility to Cosmic Rays	23
5.6	Readout Electronics	24
<b>6</b>	<b>Cryogenic System</b>	<b>24</b>
6.1	Coolers	28
6.2	Closed Cycle Dilution Refrigerator	28
6.3	Focal Plane Suspension with Thermal Intercepts	30
6.4	1.7 K $^3\text{He}$ Joule-Thompson expansion cooler requirements	33
<b>7</b>	<b>Instrument Calibration</b>	<b>34</b>
7.1	Ground Calibration	35
7.2	In-flight calibration	36
<b>8</b>	<b>Downscoping Options</b>	<b>36</b>
<b>9</b>	<b>Conclusions</b>	<b>38</b>
<b>10</b>	<b>Acknowledgements</b>	<b>38</b>

---

## 1 Introduction

The measurement of the polarization state of the CMB promises to shed light on the earliest phases of the evolution of the Universe, testing the cosmic inflation scenario, but poses difficult experimental challenges, requiring a polarimeter with very high sensitivity, exquisite control of systematic effects, and the ability to extract the tiny inflation-related signal from overwhelming polarized foregrounds.

In this paper we describe a space-based instrument, optimized to represent the *ultimate* experiment for probing cosmic inflation measuring CMB polarization (an objective which cannot be achieved by ground-based experiments alone, nor by simpler space-missions), while fulfilling the stringent requirements of a medium-class mission of the European Space Agency. We underline that also the lack of detection of primordial B-modes by CORE would have an impact on the current cosmological paradigm, since a large part of inflation scenarios would be ruled out.

This paper is part of a series describing the *CORE* (Cosmic ORigins Explorer) mission and its scientific context. Here we aim at an instrument baseline description with a level of detail adequate for starting a Phase-A study.

The *CORE* instrument inherits the legacy of Planck, as well as our previous proposals CORe and CORe+.

The goal of *CORE* is to detect unambiguously a tensor to scalar ratio  $r$  as small as  $1 \times 10^{-3}$  ( $3\sigma$  CL), even in the presence of complex polarized foregrounds. In fact, the Starobinsky model,  $R^2$  (Higgs) inflation, foresees  $r > 2 \times 10^{-3}$ . With this level of sensitivity, a null result would basically disfavour most of the large-field inflation models allowed by Planck (see the companion paper on inflation [1]).

This ultimate measurement is possible only from space and requires a mission that will map the CMB B-modes polarization over most of the sky, with an angular resolution of a few arcminutes and with a polarization survey sensitivity better than  $2.5 \mu\text{K}$  per square arcminute pixel, after foreground removal (20 times better than the aggregated CMB polarization sensitivity of the entire set of *Planck* polarized detectors). This mission will collect virtually all the information about the Early Universe encoded in the CMB polarization.

The *CORE* instrument builds on the success of *Planck* and *Herschel*, re-using many of the subsystems and methods developed by the mm/submm community. The sensitivity requirements described above, combined with the requirement of internal control of polarized foregrounds, drives the dimension of the focal plane of the instrument. The proposed *CORE* baseline instrument is based on an array of 2100 cryogenically cooled, linearly polarized detectors at the focus of a 1.2 meter aperture telescope. The entire sky will be surveyed with 19 frequency bands, spanning the range 60 to 600 GHz. The spacecraft will be located in a large Lissajous orbit around the Sun-Earth L2 Lagrange point to keep the Sun, Earth and Moon well away from the line of sight at all times, and thus avoid that they pollute the scientific signal with unwanted far sidelobe contamination. The combination of three rotations of the spacecraft at different timescales provides an observation pattern such that each sky pixel is crossed frequently, and from many different directions. This scan strategy provides for a strong mitigation of systematic effects and would thus ensure optimal use of the high inherent sensitivity, especially for extracting the large angular scale signals.

With this implementation, *CORE* also addresses a broad range of other questions of prime scientific importance that cannot be answered by any other means than very accurate observation of the CMB polarization on all angular scales and over the near full sky. It



will probe the distribution of clustered mass in the Universe through the observation of the lensing of CMB polarization due to dark matter structures between our telescopes and the last scattering surface. The reconstruction of the CMB lensing potential will provide high signal-to-noise-ratio maps of the distribution of dark matter at redshifts  $z = 1 - 3$  without recourse to biased baryonic tracers. In addition to providing a map of the dark matter integrated along the line of sight up to high redshift, this measurement, combined with cosmological constraints from Euclid, will constrain the sum of the 3 light neutrino masses with a statistical error of 3 meV, 5 times better than any single cosmological probe alone and sufficient to distinguish unambiguously between a normal neutrino hierarchy ( $m_1, m_2 \ll m_3$ ) with a mass sum of approximately at least 60 meV, and an inverted hierarchy ( $m_3 \ll m_1, m_2$ ) with a minimal mass sum of about 100 meV (see the companion paper on cosmological parameters [2]).

*CORE* will also probe the distribution of hot gas up to redshifts  $z = 2 - 3$  by measuring the thermal Sunyaev-Zel'dovich effect, the inverse Compton scattering of CMB photons by energetic electrons. It will detect  $\sim 50,000$  galaxy clusters extending to high redshift, more than 300000 clusters in combination with high-resolution ground-based surveys, and part of the hot baryons in the cosmic web. Combined with high resolution (2-3') ground-based CMB data in atmospheric windows between 90 and 250 GHz *CORE* will also detect the individual peculiar motions of  $\sim 30,000$  galaxy clusters, thus directly measuring the cosmic velocity field at large redshift, a measurement that cannot be performed by any other means (see the companion paper on clusters science [3]).

At frequencies above 350 GHz, where sky signals are dominated by emission from thermal dust and point sources, *CORE* will for the first time provide full sky, high quality polarization maps. These maps will provide astrophysicists with the most detailed view yet at the Galactic magnetic field, unveiling its role in creating the filamentary, web-like, structures where stars form. Magneto-hydrodynamical turbulence will be revealed with unprecedented statistical information characterizing the energy injection and energy transfer down to dissipation scales. The spectral dependence of the polarized signal from dust will be measured with high accuracy across the sky, furthering our understanding of the nature of interstellar dust. Moreover, together with the corresponding high sensitivity intensity maps, these observations will discover and characterize a large number of new galactic and extragalactic point sources and also measure their polarization properties.

Achieving the *CORE* cosmological science programme will require accurate separation of the many astrophysical foregrounds as well as exquisite control and assessment of systematic errors. The *CORE* instrument configuration and calibration procedure are designed to generate all the data needed for this assessment. In particular, the *CORE* array will include a large number of closely packed spectral bands for optimal monitoring of polarized foreground components. Simulations based on the full presently available information, as summarized in the Planck Sky Model [4], and analyzed using state-of-the-art component separation algorithms show that *CORE* will achieve its science objectives and that the design includes redundancy and margin for error. This is described in detail in the ‘‘mission’’ paper of this series [5].

The *CORE* ultra-high sensitivity maps of the three Stokes parameters I, Q, and U in 19 frequency bands will serve as a long standing legacy and a reference dataset for the microwave and submillimeter emission in both intensity and polarization over the full sky. Astrophysicists will mine these maps for decades. In addition to the compelling science deliverables we know about today, even more exciting are all the discoveries buried in these maps, and that we can not yet imagine, nor describe.

Other missions with similar targets have been proposed in the past. Apart from our

channel GHz	beam arcmin	$N_{\text{det}}$	$\Delta T$ $\mu\text{K}\cdot\text{arcmin}$	$\Delta P$ $\mu\text{K}\cdot\text{arcmin}$	$\Delta I$ $\mu\text{K}_{\text{RJ}}\cdot\text{arcmin}$	$\Delta I$ $\text{kJy}/\text{sr}\cdot\text{arcmin}$	$\Delta y \times 10^6$ $y_{\text{SZ}}\cdot\text{arcmin}$	PS ( $5\sigma$ ) mJy
60	17.87	48	7.5	10.6	6.81	0.75	-1.5	5.0
70	15.39	48	7.1	10	6.23	0.94	-1.5	5.4
80	13.52	48	6.8	9.6	5.76	1.13	-1.5	5.7
90	12.08	78	5.1	7.3	4.19	1.04	-1.2	4.7
100	10.92	78	5.0	7.1	3.90	1.2	-1.2	4.9
115	9.56	76	5.0	7.0	3.58	1.45	-1.3	5.2
130	8.51	124	3.9	5.5	2.55	1.32	-1.2	4.2
145	7.68	144	3.6	5.1	2.16	1.39	-1.3	4.0
160	7.01	144	3.7	5.2	1.98	1.55	-1.6	4.1
175	6.45	160	3.6	5.1	1.72	1.62	-2.1	3.9
195	5.84	192	3.5	4.9	1.41	1.65	-3.8	3.6
220	5.23	192	3.8	5.4	1.24	1.85	-	3.6
255	4.57	128	5.6	7.9	1.30	2.59	3.5	4.4
295	3.99	128	7.4	10.5	1.12	3.01	2.2	4.5
340	3.49	128	11.1	15.7	1.01	3.57	2.0	4.7
390	3.06	96	22.0	31.1	1.08	5.05	2.8	5.8
450	2.65	96	45.9	64.9	1.04	6.48	4.3	6.5
520	2.29	96	116.6	164.8	1.03	8.56	8.3	7.4
600	1.98	96	358.3	506.7	1.03	11.4	20.0	8.5
Array		2100	1.2	1.7			0.41	

**Table 1:** Proposed *CORE* frequency channels. The baseline aperture of the telescope is 1.2m in diameter. The detectors are cooled at 0.1K and their sensitivity is calculated assuming  $\Delta\nu/\nu = 30\%$  bandwidth, 60% optical efficiency, total noise of twice the expected photon noise from the sky and the optics of the instrument at 40 K. This configuration has 2100 detectors, about 45% of which are located in CMB channels between 130 and 220 GHz. Those six CMB channels yield an aggregated CMB polarization sensitivity of  $2\mu\text{K}\cdot\text{arcmin}$  ( $1.7\mu\text{K}\cdot\text{arcmin}$  for the full array).

previous proposals COre [6] and PRISM [7], a set of CMB polarization mission have been proposed in the USA (see e.g. [8], [9]). In Japan, the LiteBIRD proposal is currently in phase-A [10]. This reflects the awareness of the scientific community that an unambiguous detection and characterization of B-mode polarization from inflation cannot be achieved from ground-based measurements alone. There are two main problems: the need for a large sky coverage (the primordial B-mode signature in the Reionization peak is at the largest angular scales) and the need for a wide frequency coverage (to monitor overwhelming Galactic polarized foregrounds). Ground-based measurements suffer in both cases. Atmospheric noise, following a Kolmogorov statistics, is severe at large angular scales, and anisotropic ground pickup may seriously contaminate the detected signal at these scales. Atmospheric transmission and stability rapidly become a serious limitation at frequencies higher than 250 GHz, even in the best observing sites on Earth. Coordinated ground-based efforts can do extremely well in the well-known 40, 90, 140 GHz atmospheric windows and at intermediate and small angular scales [11], but they have very serious limitations at higher frequencies (where the polarized dust foreground must be monitored) and at large angular scales.

The *CORE* instrument concept described in this paper has been conceived to minimize complexity and single-point criticalities, maximizing reliability in development, test, commissioning and operation. It uses a well developed, mirrors-only cross-Dragone telescope, with mirrors smaller than the mirrors used in Planck. It uses, as a baseline, simple single-frequency single-polarization detectors (dual-polarization is considered only for the lowest frequencies, as explained further on). It does not use a polarization modulator, avoiding critical cryogenic

mechanisms. Exploiting the good angular resolution provided by the telescope, it is possible to synthesize in the analysis perfectly circular observation beams, so that the polarization of the sky can be measured simply by rotating the entire instrument. With a smaller aperture, this would not be possible, and the added complexity of a polarization modulator would be required to separate real sky polarization and signal produced by the rotation of an elliptical beam. In addition, the angular resolution provided by the 1.2m reflector allows for internal delensing of the data, a real plus when looking for such a low level of B-mode polarization [12].

In Table 1 we anticipate the baseline configuration for the multi-band polarimeter, and its performance.

The rest of the paper is organized as follows: in the second section we describe the different telescope options which have been considered, taking into account the size constraints coming from the launcher, the need for sufficient angular resolution, the need for a wide, high Strehl ratio, and possibly planar and telecentric focal plane. In the third section we discuss advantages and disadvantages of a mechanical polarization modulator, our baseline choice of avoiding its use, and our approach in case it is found to be required in the phase-A study. In the fourth section we describe the general design of the focal plane array and its optimization in terms of size, number of detectors, weight of the different bands. In the fifth section we describe the selected detectors technology (Kinetic Inductance Detectors) and its implementation in the different frequency bands; the optical coupling and the readout electronics. In the sixth section we describe the cryogenic system. In the seventh section we describe the plan to calibrate the instrument. In section eight we describe a downscoped configuration of the instrument, with reduced aperture of the telescope (0.8m), reduced number of detectors (900), covering a reduced frequency range (100 to 600 GHz). We conclude comparing our baseline instrument to other proposals, in terms of figure of merit for the measurement of CMB B-modes.

## 2 Telescope

A combination of science requirements and practical constraints drive the choice of the telescope. The science requirements are (i) a focal surface with sufficiently large diffraction limited field of view (DLFOV) to accommodate the 2100 detectors, (ii) entrance aperture size of 1.2 m to give a resolution between 7' and 8' at 145 GHz, and (iii) low instrumental polarization. Cost, the space mission implementation, and experience with previous mm-wave telescopes suggest a compact, low mass telescope, and reflectors that are sufficiently small to be manufactured as a single segment of silicon carbide (silicon carbide has been space proven with the Herschel and Aladin missions). A quantification of the level of instrumental polarization tolerable with *CORE* is awaiting a more comprehensive study of systematic uncertainties.

The baseline detector technology for *CORE* also imposes constraints on the optical design. *CORE* will implement arrays of lens-coupled kinetic inductance detectors fabricated on flat wafers. Therefore, the focal surface should be locally flat and telecentric. The optical design needs to provide a focal surface that is either planar, or can be tiled with flat detector wafers.

We investigated two designs: a two-mirror Gregorian, and a crossed-Dragone. Both designs have rich heritage with CMB experiments [13]. Most recently, WMAP and Planck used off-axis Gregorian telescopes. Tran et al. [14] showed that with equal aperture sizes a crossed-Dragone system can provide larger DLFOV compared to a Gregorian. (We follow

standard convention designating an area in the focal surface ‘diffraction limited’ when the Strehl ratio is larger than 0.8.)

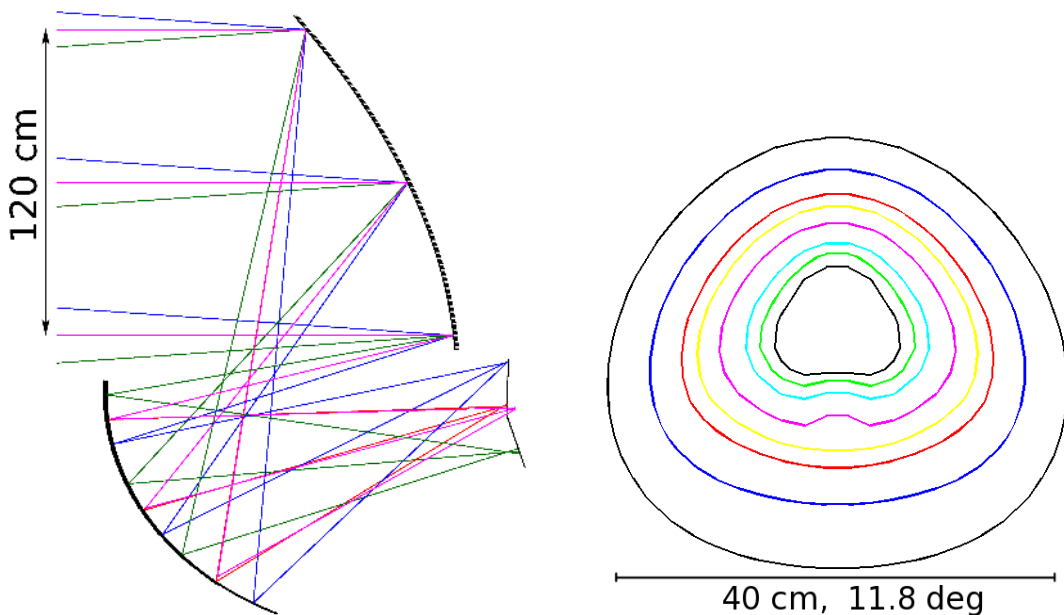
## 2.1 Gregorian Design

### 2.1.1 All Reflective Design

The basic two-mirror Gregorian design has a parabolic primary and an ellipsoidal secondary. In Gregorian-Dragone designs, astigmatism or both astigmatism and coma are canceled to first order [13]. We began our analysis with a Gregorian-Dragone design in which astigmatism is canceled to first order [15] and used the optimization features available with a commercial ray tracing program<sup>1</sup> to increase the DLFOV over the frequency range between 60 and 600 GHz. Each of the reflector surfaces was described as a figure of revolution  $z(r)$  by

$$z = \frac{cr^2}{1 + \sqrt{1 - (1+k)c^2r^2}} + \sum_{i=1}^n a_i r^{2i}, \quad (2.1)$$

where  $k$  is the conic constant and  $c$  is the radius of curvature. Surfaces for which  $a_i = 0$  for all  $i$  are conics of revolution. During the numerical optimization we let all the parameters in Equation 2.1 vary, as well as the parameters defining the relative orientations of the surfaces. The parameters of a system that gave a sufficiently large DLFOV are given in table 2. The system is shown in figure 1. We note that the focal surface is not flat. It is a shallow cone. We could not find a solution with a sufficiently large DLFOV and flat focal surface.



**Figure 1:** 1.2m Gregorian design and DLFOV contours for 60 GHz (black, outer), 90 GHz (blue), 130 GHz (red), 160 GHz (yellow), 220 GHz (magenta), 340 GHz (cyan), 450 GHz (green), and 600 GHz (black, inner).

This design has a 12°, 40 cm field of view at 60 GHz. The configuration is compact, and the system is conducive to strong baffling. The instrumental polarization across the entire

<sup>1</sup>CodeV by Synopsys Inc.

Primary mirror		Secondary mirror	Telescope geometry		
	136 cm × 120 cm	97 cm × 67 cm	$D_m$	120 cm	
$c$	$-5.94 \times 10^{-3}$	0.0127	$L_m$	165 cm	
$k$	-0.981	-0.319	$L_s$	148 cm	
$a_2$	$2.45 \times 10^{-9}$	$1.06 \times 10^{-9}$	$h$	80.3 cm	
$a_3$	$3.67 \times 10^{-13}$	$-7.06 \times 10^{-13}$	$\alpha$	11.7°	
$a_4$	$-3.35 \times 10^{-17}$	$1.20 \times 10^{-15}$	$\beta$	3°	
$a_5$	$1.40 \times 10^{-21}$	$-2.72 \times 10^{-19}$	$\theta_0$	51.2°	
$a_6$	$-2.25 \times 10^{-26}$	$2.36 \times 10^{-23}$			
Focal ratio, F 160 GHz DLFOV		1.6 at center, increases by 7 % at focal plane edges Az × El = 7.6° × 7.8°, 85 Fλ × 73 Fλ			
Focal Surface Location		Center	± Az. edge	+ El. edge	- El. edge
Instrumental polarization (%)		0.02	0.02	0.02	0.03
Polarization rotation (°)		0	±6.4	0	0

**Table 2:** Parameters for the *CORE* Gregorian design. Surface parameters refer to Equation 2.1; parameters determining the overall telescope geometry are defined in Granet 2002 [16]. The parameters describing the focal plane dimensions are given at 160 GHz in degrees and in units of  $F\lambda$  ( $\lambda = 1.875$  mm) to facilitate comparison between different telescope configurations. The variation in the focal ratio  $F$  across the focal surface gives a 160 GHz DLFOV that is larger in degrees in the elevation direction, but smaller in  $F\lambda$ .

focal plane, calculated at 145 GHz by assuming  $n, k = 1445, 1455$  for aluminum [17], are below 0.05 %, but polarization rotation exceeds 6° at the azimuth edge of the focal surface. There is no polarization rotation along the symmetry plane of the system; see table 2. A significant drawback for this design is the non-flat, non-telecentric focal surface. We concluded that if a Gregorian design is to be used, it requires additional image correction.

### 2.1.2 Reflective/Refractive Design

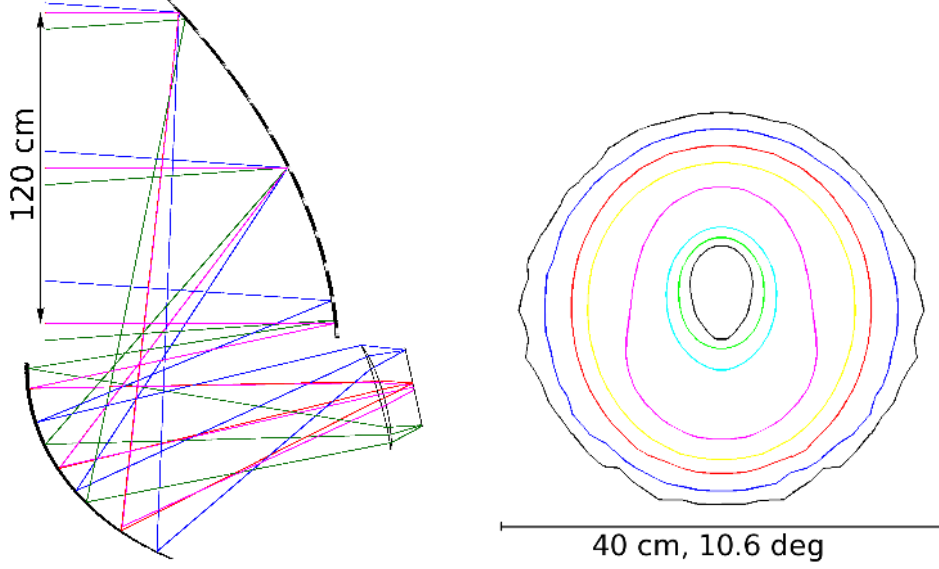
Figure 2 shows a Gregorian system with one additional alumina lens ( $n = 3.1$ ). Table 3 gives the parameter of the system. It has been optimized in a similar fashion to the one described in Section 2.1.1. The focal surface is flat and nearly telecentric; the largest deviation from telecentricity is at the negative elevation edge (the lower part) of the FOV at a level of 4.1 degrees. This design provides a  $9.2^\circ \times 9.5^\circ$ , 36 cm × 36 cm, DLFOV at 60 GHz. These values are smaller than those for the all-reflective system. A more robust comparison that takes the focal ratios into account also shows that this system’s performance falls short of the all-reflective one; see the lines giving the number of  $F\lambda$  at 160 GHz in tables 2 and 3. We could not fit all 2100 of *CORE*’s detectors in the focal plane.

The lens is 44 cm in diameter with an optical aperture diameter of 42 cm in diameter, and a mass of 6 kg. The system is compact and the aperture of the lens causes vignetting for fields near the edge of the focal plane, as can be seen in figure 2. Assuming tophat illumination of the primary, the throughput for this edge of the focal plane is reduced by 7 %. Vignetting reduces the throughput for the fields at both azimuth edges of the focal plane by 6 %.

The anti-reflection coating (ARC) of the lens presents a challenge. Broad,  $\Delta\nu/\nu = 160$  % ARC are required with differential reflection sufficiently small to give low instrumental polarization. Although the development of broad-band ARC is an active area of research [18–20], the development of this bandwidth ARC on alumina has not been demonstrated, let

alone with low instrumental polarization. In table 3 we give expected levels of instrumental polarization assuming an uncoated alumina lenses. The levels are substantial but are likely over-estimates. The magnitude of polarization rotation in this system is similar to that in the all-reflective system.

In summary, the optical performance of the reflective/refractive system falls short of the requirements and the ARC presents a technical risk.



**Figure 2:** 1.2m Gregorian design with an alumina lens and DLFOV contours for 60 GHz (black, outer), 90 GHz (blue), 130 GHz (red), 160 GHz (yellow), 220 GHz (magenta), 340 GHz (cyan), 450 GHz (green), and 600 GHz (black, inner).

Primary mirror		Secondary mirror		Alumina Lens		Telescope geometry	
$c$	150 cm $\times$ 130 cm	100 cm $\times$ 70 cm	44 cm	$D_m$	120 cm		
$k$	$-6.47 \times 10^{-3}$	0.0154	$-2.67 \times 10^{-3}$	$L_m$	145 cm		
$a_2$	$-0.974$	$-0.333$	0	$L_s$	140 cm		
$a_3$	$-1.02 \times 10^{-9}$	$6.08 \times 10^{-10}$	$1.76 \times 10^{-6}$	$h$	76.3 cm		
$a_4$	$2.35 \times 10^{-14}$	$-1.91 \times 10^{-12}$	$-2.69 \times 10^{-8}$	$\alpha$	$23.6^\circ$		
$a_5$	$5.73 \times 10^{-19}$	$1.27 \times 10^{-16}$	$2.90 \times 10^{-11}$	$\beta$	$4^\circ$		
$a_6$	$-3.50 \times 10^{-23}$	$5.34 \times 10^{-20}$	$4.64 \times 10^{-14}$	$\theta_0$	$55.9^\circ$		
	$5.65 \times 10^{-28}$	$-1.35 \times 10^{-23}$	$-7.98 \times 10^{-17}$				
Focal ratio, F		1.88 at centre, varies by 17 % across focal plane					
160 GHz DLFOV		Az $\times$ El = $6.4^\circ \times 7.2^\circ$ , $68 F\lambda \times 75 F\lambda$					
Focal Surface Location		Center	$\pm$ Az. edge	$+$ El. edge	$-$ El. edge		
Instrumental polarization (%)		0.26	2.7	3.6	1.8		
Polarization rotation ( $^\circ$ )		0	$\pm 5.7$	0	0		

**Table 3:** Same as table 2 but for the Gregorian design with an alumina lens.

## 2.2 Crossed Dragone

The crossed-Dragone configuration more naturally provides a flat, telecentric focal plane and therefore it is a good match to focal planes with arrays of detectors that are micro-fabricated on flat silicon wafers [14]. The configuration has heritage with the QUIET and ABS CMB polarization instruments [21, 22], and is currently the baseline for the JAXA-led LiteBIRD mission [23]. It is being considered for the CMB-S4 project [24].

For *CORE* we started with the 40 cm LiteBIRD telescope, scaled it up to 1.2 m aperture, and re-optimized in a process similar to that described in Section 2.1.1. The design included anamorphic surfaces, that is, surfaces with different radii of curvature in two orthogonal directions. The equation describing the surface  $z(r)$  is

$$z = \frac{\frac{x^2}{R_x^2} + \frac{y^2}{R_y^2}}{1 + \sqrt{1 - (1 + k_x)\frac{x^2}{R_x^2} - (1 + k_y)\frac{y^2}{R_y^2}}} + A_{n,r}((1 - A_{n,p})x^2 + (1 + A_{n,p})y^2)^n, \quad (2.2)$$

where  $R_x$  and  $R_y$  are the radii of curvature,  $k_x$  and  $k_y$  are the conic coefficients, and  $A_{n,r}$ ,  $A_{n,p}$  define the higher order deformation coefficients with  $n = 2, 3, 4, 5$ . When the higher order coefficients are zero this type of surface is called biconic. Figure 3 shows the system and Table 4 gives its parameters.

We found that with only two mirrors the system was too big to fit within the satellite envelope. Therefore we added a flat tertiary fold mirror to make the system more compact. This flat mirror could be replaced by a reflective polarization modulator, if polarization modulation is deemed necessary. Figure 4 gives solid model views of the telescope integrated within the payload module and sunshields. The telescope was rotated about the boresight to put the focal plane close to the main satellite body, reducing the need for additional supports. This was also the only orientation in which the telescope was completely shadowed by the sun-shields.

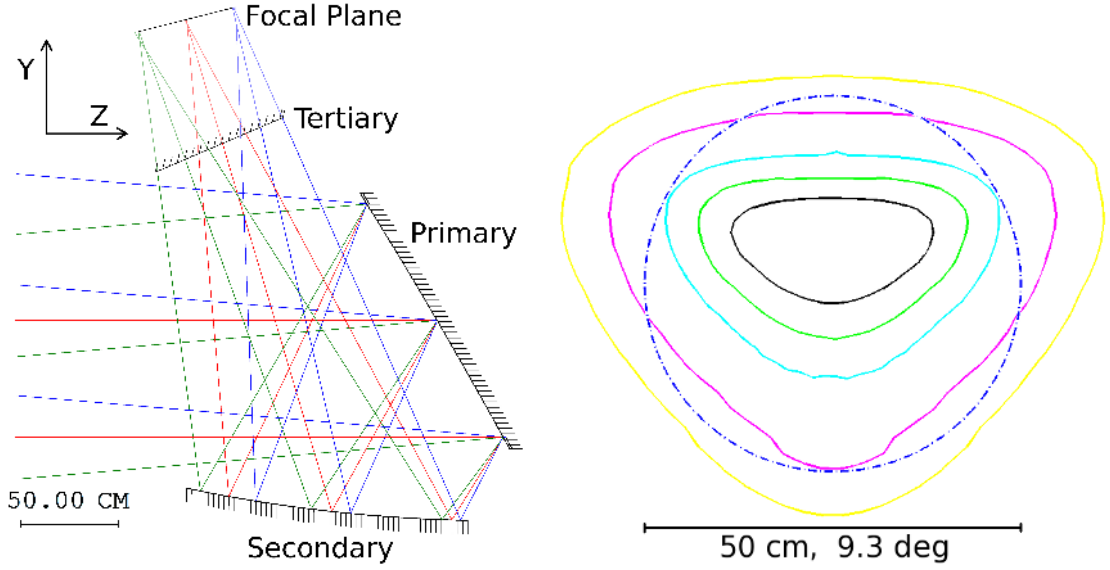
The focal plane is flat with a DLFOV greater than 12 degrees across at 160 GHz. It gives approximately 4 times the number of  $F\lambda$  units at 160 GHz compared to the all reflective Gregorian system, and a larger factor when compared to the partially refractive Gregorian. It is telecentric to within  $3.5^\circ$  over the entire FOV, and within  $2^\circ$ , which is 10 % of the beam divergence angle at the focal plane, at field angles of less than  $2.8^\circ$ . Experience indicates that the system can be further optimized for even stronger telecentricity at the expense of DLFOV area at the edges of the focal plane that are currently not used. The instrumental polarization induced by the reflectors is a factor of 2-3 larger than the reflective Gregorian design, but still below 0.1%. There is significantly lower polarization rotation, a consequence of the flatter reflecting surfaces.

An initial challenge with the crossed Dragone system was baffling of the focal plane to reject stray light. To improve baffling we embedded the portion of the DLFOV that is used for detectors inside a ‘bucket’, and a collar was added around the entrance aperture of the system; the bucket and collar are shown in grey figure 4. The default is all the payload, including the collar, at 40 K.

With these additions there is no direct view from the focal plane to the sky. The focal plane area populated by detectors is bounded by the blue dash-dot line in Figure 3 and is smaller than the total available DLFOV.

We analyzed the crossed-Dragone design using physical optics to determine the far field beam shape at 145 GHz for various positions on the focal plane. We assumed a Gaussian





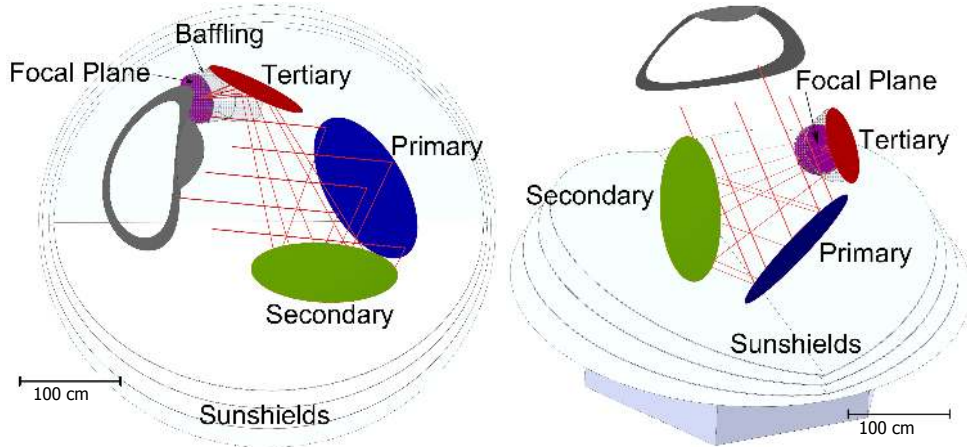
**Figure 3:** 1.2 m aperture *CORE* telescope and DLFOV at 160 GHz (yellow), 220 GHz (magenta), 340 GHz (cyan), 450 GHz (green), and 600 GHz (black). The DLFOV at lower frequencies is larger than that shown for 160 GHz. The 50 cm diameter usable FOV (dash dot blue) is limited by baffles, not optical performance.

	Primary mirror	Secondary mirror	Telescope geometry	
	131 cm $\times$ 152 cm	125 cm $\times$ 146 cm	$D_m$	120 cm
$R_x$	$-1.15 \times 10^3$	$8.29 \times 10^2$	$L_m$	112 cm
$R_y$	$-7.14 \times 10^2$	$8.33 \times 10^2$	$L_s$	264 cm
$k_x$	2.97	-0.574	$h$	765 cm
$k_y$	-3.55	-7.31	$\alpha$	13.8°
$A_{2,r}$	$3.02 \times 10^{-10}$	$1.31 \times 10^{-9}$	$\beta$	90.2°
$A_{3,r}$	$9.54 \times 10^{-18}$	$3.05 \times 10^{-14}$	$\theta_0$	104°
$A_{4,r}$	$-1.63 \times 10^{-22}$	$-8.17 \times 10^{-19}$		
$A_{5,r}$	$-3.49 \times 10^{-34}$	$2.36 \times 10^{-24}$		
$A_{2,p}$	-1.027	0.183		
$A_{3,p}$	-0.255	0.0671		
$A_{4,p}$	-0.281	0.259		
$A_{5,p}$	-0.914	0.669		
Tertiary mirror		104 cm $\times$ 74 cm		
Focal ratio, F		2.54 at centre, varies by 5 % across focal plane		
160 GHz DLFOV		Az $\times$ El = 14.0° $\times$ 12.9°, 159 F $\lambda$ $\times$ 140 F $\lambda$		
Focal Surface Location	Center $\pm$ Az. edge $\pm$ El. edge $\pm$ El. edge			
Instrumental polarization (%)	0.06	0.07, 0.05	0.07	0.05
Polarization rotation (°)	0	$\pm$ 0.6	0	0

**Table 4:** Parameters for the *CORE* Crossed Dragone design. Surface parameters refer to Equation 2.2; parameters determining the overall telescope geometry are defined in Granet 2001 [25].

beam propagating from the focal plane outward. The Gaussian beam had a waist  $w_0 =$

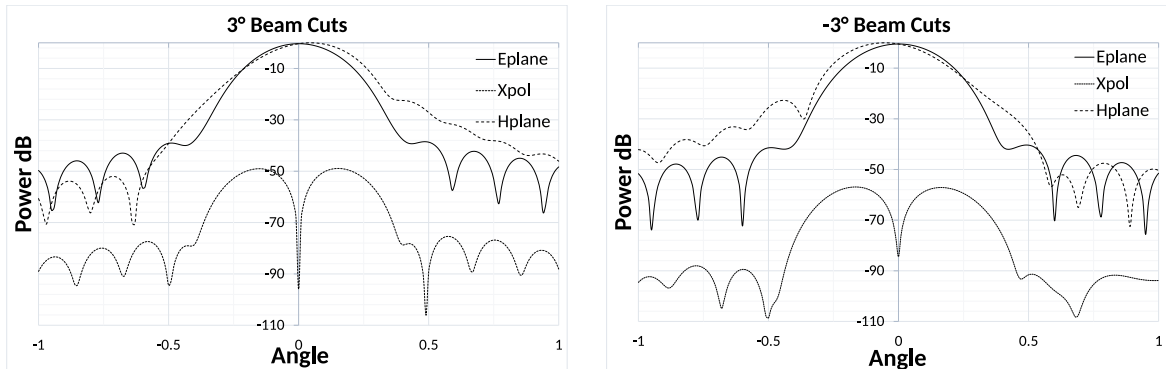




**Figure 4:** Perspective views of the telescope and focal plane relative to the spacecraft’s sunshields and bus. Only the edge of the entrance aperture of the enclosure is shown for clarity (gray).

$0.216\sqrt{T_e(dB)}F\lambda = 5.14\text{mm}$  with an edge taper of  $-20.5\text{ dB}$  on the primary mirror and  $F = 2.54$ . For this first round of analysis we did not include the baffling structures.

Figure 5 shows representative orthogonal cuts of the far-field beams at  $\pm 3^\circ$  off-axis along the  $x$  axis of the telescope (see figure 3). These field positions correspond to locations that are 15 cm from the center of the focal plane in the horizontal directions in the right panel of figure 3. We present results for only one polarization. The orthogonal polarization, which was also propagated to the sky, is co-located and the differential gain between the two polarizations is  $-41\text{ dB}$  over the main beam.



**Figure 5:** Orthogonal co-pol and cross-pol cuts of the 145 GHz far field beams at off-axis angles of  $\pm 3^\circ$  along the  $x$  direction of the telescope, as indicated in figure 3.

We fit two-dimensional Gaussian to the far-field beam patterns to extract full-width at half-maxima (FWHM) from which we calculate beam ellipticities. Ellipticity is defined as  $1 - b/a$ , where  $a$  and  $b$  represent the larger and smaller FWHM, respectively. Cross-polarization levels are low,  $-48\text{ dB}$  at a maximum for the beams at  $\pm 3^\circ$ , but the co-polar components of the orthogonal polarizations show some aberration and have ellipticities of 6 and 8 % for the  $-3^\circ$  and  $+3^\circ$  directions, respectively. A summary of the characteristics of the beams at several field locations is given in table 5.

The physical optics study of the telescope performance for a variety of focal plane po-

sitions and frequencies is ongoing. There is also initial work currently underway to simulate the far sidelobes and examine the impact of the shielding on the optical performance.

Beam	FWHM $_{\theta}$ (arcmin)	FWHM $_{\phi}$ (arcmin)	$\theta_0$	$\phi_0$	Ellipticity
Y = 3° - X-Polarization	7.16	7.80	0.0001	0.0195	0.082
Y = 3° - Y-Polarization	7.16	7.80	0.0001	0.0195	0.082
Y = -3° - X-Polarization	7.24	7.73	0	-0.022	0.063
Y = -3° - Y-Polarization	7.24	7.73	0	-0.022	0.063
Y = 4° - X-Polarization	7.14	8.10	0.0002	0.0252	0.118
Y = 4° - Y-Polarization	7.14	8.10	0.0002	0.0252	0.118
Y = -4° - X-Polarization	7.26	7.92	0.0001	-0.0285	0.083
Y = -4° - Y-Polarization	7.26	7.92	0.0001	-0.0285	0.083

**Table 5:** Far field beam parameters for two orthogonal polarizations of Gaussian beam inputs located at off-axis angles of  $\pm 3^\circ$  and  $\pm 4^\circ$  along the  $x$  direction of the telescope (as illustrated in figure 3), at 145 GHz. The coordinates  $\theta_0$  and  $\phi_0$  give the offsets of the beam centroids relative to a ray traced along the center of the input Gaussian.

### 2.3 Telescope Summary

WMAP and Planck used off-axis Gregorian telescopes. However, their useable DLFOV was smaller than that of *CORE* and their detector technology is no longer suitable for modern instruments that use thousands of focal plane elements. Such instruments require a large, flat, and telecentric focal plane. The two mirror Gregorian falls short off the requirements. We attempted to populate this design with 10 cm edge-to-edge flat tiles that were locally telecentric at the center of the tile. However, the optical performance at the edge of these tiles failed to be diffraction limited.

The two-mirror Gregorian with the alumina lens gives an optical performance that is close to the requirements but the anti-reflection coating introduces a technology risk, and a spurious polarization risk. We selected the crossed-Dragone as the baseline because it gives a large, flat, telecentric DLFOV, and it fits within the satellite envelope. A full analysis of the system is ongoing. Table 6 summarizes the advantages and disadvantages of the systems we analyzed.

	<b>Gregorian</b>	<b>Crossed Dragone</b>
<b>Pros</b>	Small reflectors No lens: high TRL Easy to baffle	Large, flat, telecentric DLFOV Low instrumental and low polarization rotation
<b>Cons</b>	No lens : Smaller, non-flat DLFOV With lens: low TRL; insufficient DLFOV	Larger reflectors Baffling more challenging

**Table 6:** Advantages (Pros) and disadvantages (Cons) of the optical systems considered for *CORE*.

## 3 Polarization Modulator

In *CORE* polarization modulation is achieved by means of an optimized telescope pointing strategy, leading to frequent scans of the same sky pixel with different orientations of the

polarization sensitive detectors, as described in the Mission paper of this series [5]. This approach has the overwhelming advantage of simplicity and reliability, due to the absence of moving parts in the instrument.

However, the technology of active CMB polarization modulators has significantly advanced in recent years, thanks to an ESA funded project (*Large radii Half-Wave Plate (HWP) development*, ESA Ref. T207-035EE) focusing on developments for future CMB satellite missions. A novel type of Reflective Half Wave Plate (R-HWP) was successfully manufactured and tested. It has high polarization modulation efficiency across a 150 % bandwidth at incidence angles up to  $45^\circ$  [26, 27]. The design can be further improved to achieve the 164 % bandwidth required for *CORE*. The R-HWP should be inserted in the beam path of polarization-sensitive detectors and rotated around an axis orthogonal to its plane to provide polarization modulation. The position of the flat tertiary mirror in the *CORE* optical design is a natural place to locate a rotating R-HWP, should it be deemed necessary to include polarization modulation. The target of the aforementioned ESA project is develop facilities capable of manufacturing metre-sized devices. This will allow the manufacturing of a R-HWP fitting the size of the *CORE* tertiary mirror ( $1.0\text{ m} \times 0.7\text{ m}$ ).

A cryogenic rotation mechanism is required to operate such a modulator. Two broad classes of devices have been developed: steppers and spinners. In the former, the HWP is stepped across a set of angular positions. Each angular position is held for some integration time (e.g. for one full spin of the instrument) before stepping to the next one. In the latter, the HWP is continuously spun, encoding the polarization information at high frequency ( $4\times$  the mechanical rotation frequency).

A rotator of the first type was described in [28] and was flown on the *PILOT* balloon-borne experiment [29]. The average dissipation of the device, due to friction in the cryogenic bearings, is a few mW. A rotator of the second type, based on magnetic levitation of the HWP, was described in [30], has been flown on the *EBEX* balloon-borne experiment [31], on the SPIDER experiment [32], and a similar system represents the baseline for the LiteBIRD satellite [33].

The advantage of a continuously spun HWP is the high modulation frequency (order of 10 Hz) of the polarization information, far from the frequency region affected by  $1/f$  noise. The disadvantage is that eddy currents can heat-up the HWP: this heat can only be radiated away, quite inefficiently at low temperatures. In the case of the stepped HWP the modulation frequency is much lower (order of 0.01-0.1 Hz), but the HWP can be thermally connected to the cold reference temperature by means of flexible copper straps.

Simplicity and reliability considerations drove the decision of not using a polarization modulator in *CORE*. However, end-to-end simulations including systematic effects from the HWP on one side, and from the spin/precession scan strategy on the other, will be performed anyway during phase-A, to confirm quantitatively this choice.

## 4 Focal Plane

### 4.1 Mission Constraints

The *CORE* instrument is optimized to maximize its mapping speed by means of the widest possible Focal Plane Array (FPA) of diffraction-limited detectors. The total number of detectors is limited by several heterogeneous factors:

- the diffraction limited field of view of the telescope (which in turn depends on the size and configuration of the telescope, as described in Section 2);

- the heat load on the cryogenic system (the larger/heavier the FPA, the stronger and conductive the supports connecting it to the higher temperature stage of the cryogenic system, and the larger the integrated radiative load);
- the maximum allowed data rate;
- the electrical power dissipated on the readout electronics, both at room temperature (impacting on the power budget) and in the cryogenic section (impacting on the power lift budget of the cryo system).

For these reasons, optimization of the FPA is a nontrivial procedure. Starting from the available bay size in the space carrier for a medium-size mission, we have targeted the optimization to a diameter of the FPA of  $\sim 0.5$  m at 0.1 K, and verified that we are at the edge of what can be obtained in terms of telescope and cryogenic system (cfr Section 2 and 6).

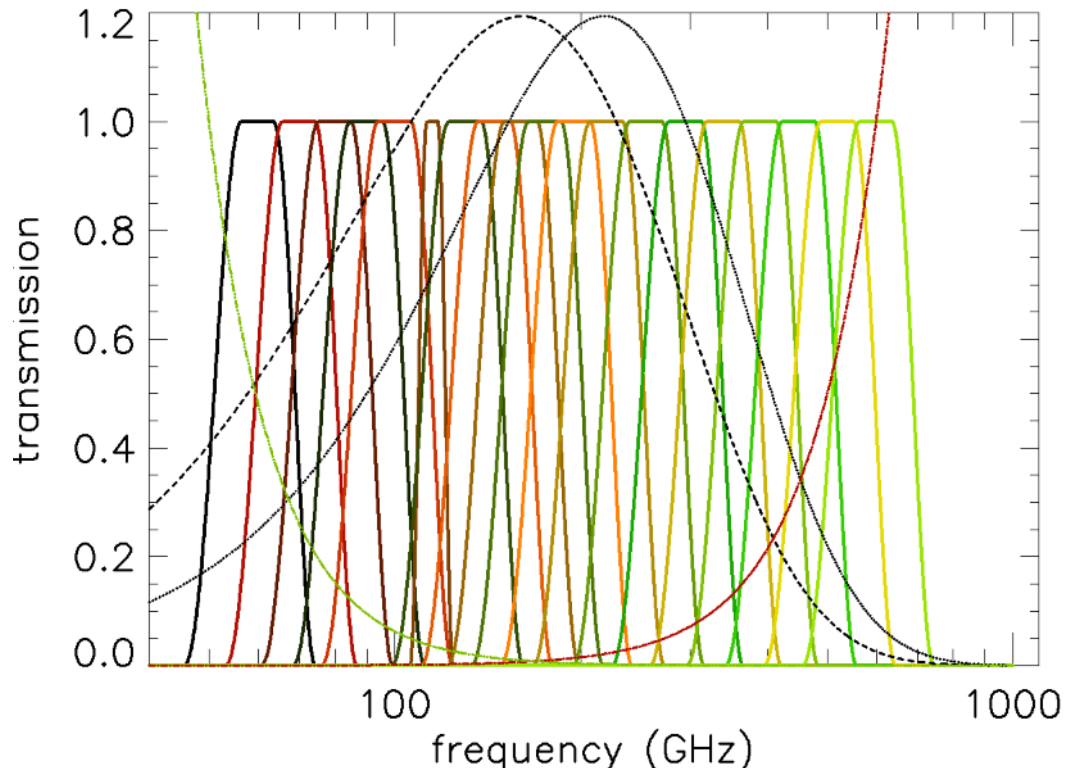
The next step of the optimization is the division of the available FPA area into the different frequency bands of observation. Covering a wide frequency range is the key to separate CMB polarization from a number of polarized foregrounds. The range 60 GHz to 600 GHz covers both low frequencies where diffuse synchrotron radiation from our Galaxy is dominant, CMB frequencies where the CMB signal is maximum, and high frequencies, where diffuse emission from interstellar dust is dominant. The *CORE* FPA covers this range with 19 frequency bands. The number of bands was selected to have a number of independent channels larger than the number of parameters required in a first-order description of all the relevant foregrounds. The optimization of the fractions of the FPA area assigned to the different channels has been carried out under the assumption that the detectors of a given frequency channel are sensitive to a wide band ( $\Delta\nu/\nu \sim 30\%$ , see Figure 6), and are limited by the photon noise associated with the incoming background power. This corresponds to a few to tens of  $\text{aW}/\sqrt{\text{Hz}}$ , depending on the channel considered. The figure of merit of the optimization is the survey sensitivity for CMB polarization signals, in  $\mu\text{K} \times \text{arcmin}$ , once the foreground removal procedure has been carried out.

The outcome of these optimizations is that the *CORE* instrument will be equipped with a total of 2100 detectors (cfr Table 1), whose noise will not exceed the photon noise associated with the incoming background power. In the baseline configuration high-TRL single-band single-polarization pixels will be adopted, for all but the lowest frequencies ( $\nu \leq 115$  GHz), where the use of dual-polarization sensitive pixels is envisaged. The coupling optics and the detectors for all of the pixels occupy a cylindrical volume, 50 cm in diameter and 5 cm tall, which is cooled at 0.1 K for optimal operation of the detectors (see Figure 7). Detectors in the focal plane are arranged in tiles, each one including sensors operating in the same frequency band, and placing the highest frequency band tile in the center of the focal plane, where the optical quality is best. The general arrangement is shown in Figure 8.

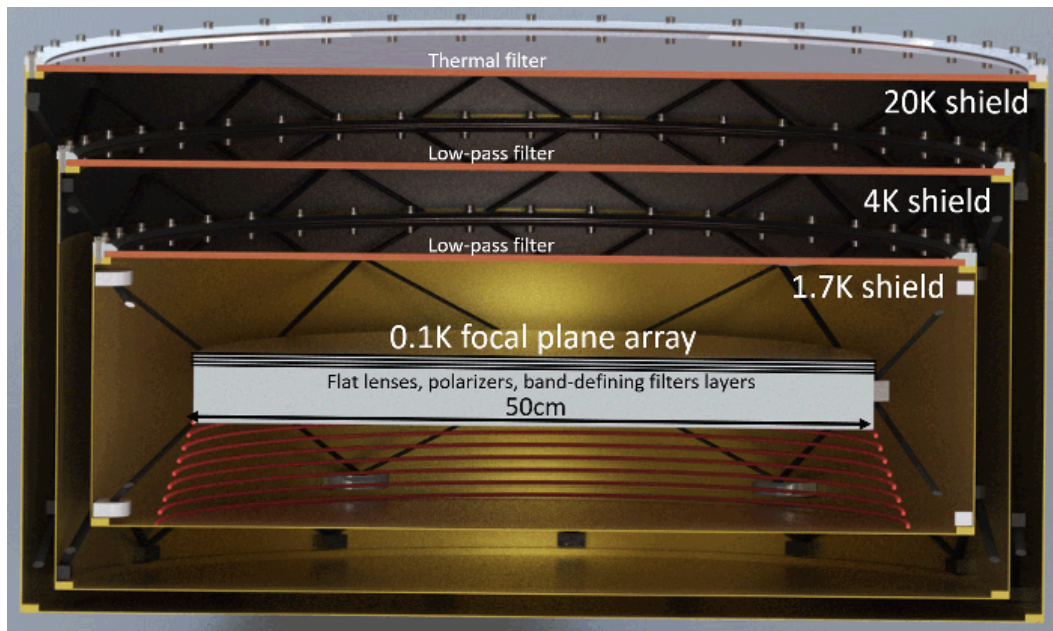
## 4.2 Radiation Coupling

Techniques to achieve the desired radiation coupling while respecting the mass and volume constraints imposed by the mission framework described in Section 4.1 are currently available and well developed within the *CORE* Consortium.

One of the fundamental constraints driving the dimensioning of the focal plane is the acceptable spillover fraction, which in turn might have a different impact depending on the temperature of the telescope enclosure. This quantity must be small enough in such a way that the photon noise from the black payload alone is less than half of the contribution coming

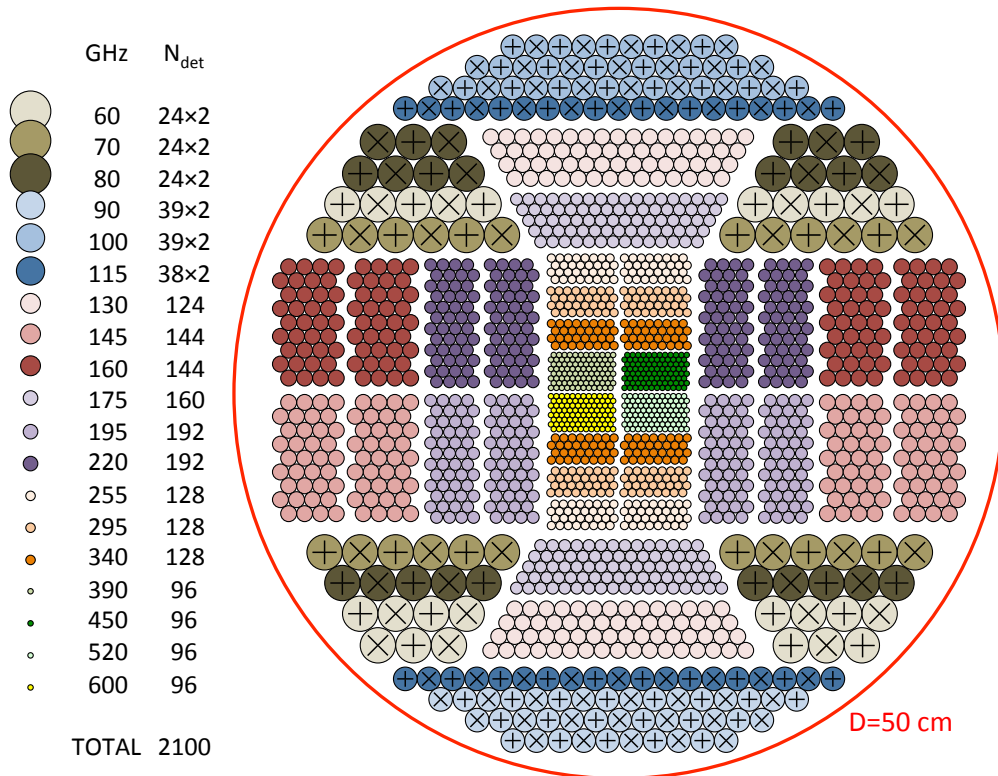


**Figure 6:** Frequency coverage of the *CORE* focal plane (19 partially overlapping wide bands, plotted as red to light blue continuous lines), compared to arbitrarily normalized spectra of the CMB (dashed line), CMB anisotropy (dotted line), high-latitude dust (dot-dashed line), diffuse synchrotron (dash + 3 dots).



**Figure 7:** The focal plane unit of *CORE* .





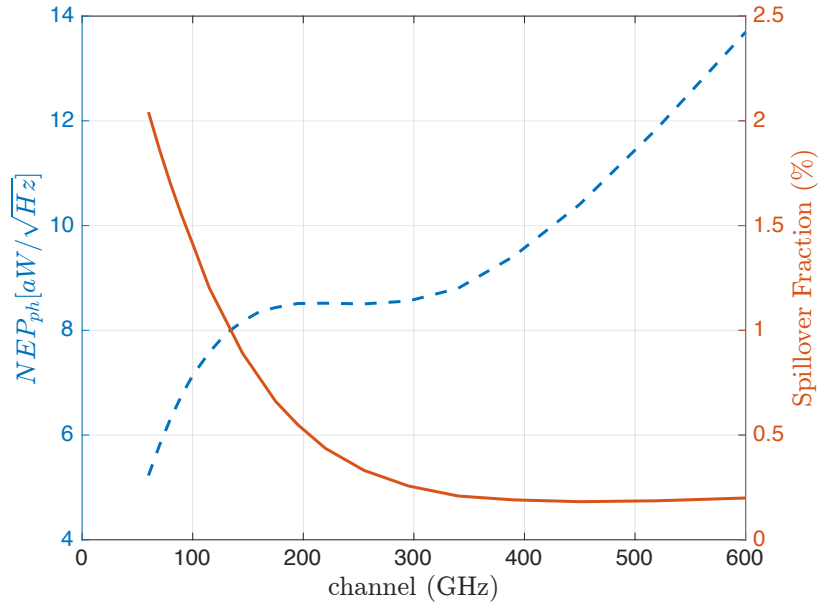
**Figure 8:** Arrangement of 2100 single-band, single-polarization detectors, in the focal plane of the *CORE* telescope. The scan direction is horizontal.

from the sky and from Planck-type mirrors together. The sky brightness is a superposition of CMB, Galactic Dust (a greybody at 18 K, with  $\beta = 1.7$ , corresponding to the cleanest 90% of the 857 GHz Planck sky map), Far-Infrared Background (a greybody at 17 K, with  $\beta = 0.96$  and amplitude 0.8 MJ/sr at the pivot frequency of 1.87 THz) and Zodiacal light (a greybody at 200 K, with  $\beta = 0.43$  and amplitude 23.4 MJ/sr at the pivot frequency of 5 THz) contributions. The telescope, at a temperature of 40 K, is assumed to have a frequency dependent emissivity scaling as  $\sqrt{\nu}$ . For a 40 K black payload, the optimised edge taper ranges from about 17 dB at 60 GHz to about 27 dB at 600 GHz (assuming a Gaussian telescope illumination), and its values for the different channels are plotted in Figure 9, together with the corresponding overall photon noise. The illumination beam waist, for a given edge taper level  $T_e$ (dB) and telescope focal number ( $F$ ), is given by  $\omega_0 = 0.216\sqrt{T_e(\text{dB})}F\lambda$  [34]. For our optimised  $T_e$  values, the diameter of the diffractive spot is in the range  $1.8 - 2.2F\lambda$ .

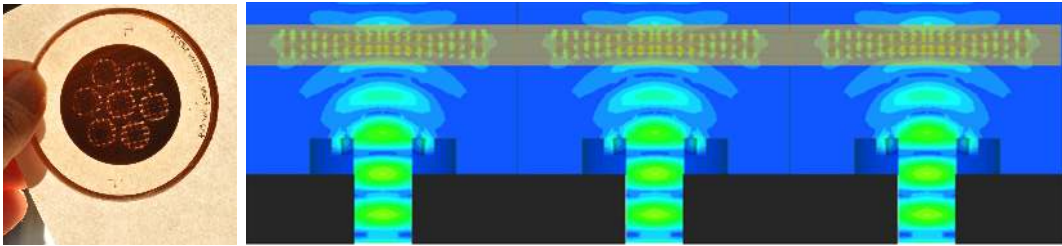
The beam-forming elements we will use to illuminate the telescope according to the above criteria are of two different kinds, depending on the frequency:

- At frequencies  $\leq 220$  GHz, planar lenslets based on a metamaterial concept (see Figure 10) are a promising solution in terms of optical performance, and being based on the successful metal-mesh technology well consolidated for filter production, they rely on a solid know-how [35]. Since their thickness is comparable to  $\lambda$  and their density is the one of polypropylene, their mass is slightly lower than 1 kg to cover all these bands. These planar lenslets are illuminated by a waveguide section which feeds a planar OMT for the Low Frequencies.

- The higher-frequencies (255 GHz and above) are based on antenna-coupled MKIDs, where the beam forming is achieved by means of a slot antenna endowed with a lenslet. These devices are fabricated on a monolithic Si substrate to which we mount, using a proven wafer bonding technique, a commercially available Si lens array fabricated using laser ablation. A parylene-C coating is to be applied to minimize reflection losses. Note that the lens-antenna coupling, including the AR coating, used for these MKIDs was used as well for the Herschel-HIFI band 5 and 6 mixers [36].



**Figure 9:** In the orange curve we show the Spillover Fraction ( $10^{-T_e/10}$ ) that allows to reach the corresponding overall photon NEP, the plotted blue curve.



**Figure 10:** Left Panel: Lenslet Array: fabrication detail. Right Panel: the action of planar lenslets on the beam radiated by a waveguide section.

## 5 Detectors

In order to minimize the complexity of the system, one single detector technology will be chosen to cover the full 60-600 GHz frequency range. Microwave Kinetic Inductance Detectors (MKIDs) are currently the most advanced solution at the European level in terms of TRL. They also have distinct advantages that make them stand out from other concurrent technologies. These include their intrinsic frequency domain multiplexing (FDM) and the fast

response time, not limited by thermal constraints. Furthermore, different tiles of MKIDs, for example containing the detectors of different sub-bands, can be fabricated separately and easily interconnected during the assembly of the FPA. This represents an additional advantage of the chosen technology, as it makes it possible to share the development and fabrication effort among different institutions. MKIDs have therefore been adopted as the baseline detectors for *CORE*. To limit the radiative background on the resonators, from the telescope and its environment, high performance feed optics are used.

## 5.1 Detection Technology

Over the last years, these detectors have been successfully used in many ground-based EU-lead experiments. The NIKA camera ([37] [38]), installed at the IRAM 30 m telescope in Spain, has been the first KID-based instrument to conduct on-the-sky observations. NIKA showed state-of-the-art performances using Aluminum (Al) Lumped Element KIDs (LEKIDs). Its follow-up instrument, NIKA2 ([39] [40]), has a total of more than 3,000 detectors over two bands, covering the range 100-300 GHz, and is currently undergoing the final commissioning phases. Polarization sensitivity in the band centered at 240 GHz is achieved using a wire-grid polarizer and two separate arrays, one for each polarization. At higher frequencies, the A-MKID<sup>2</sup> project is being commissioned at the focal plane of the APEX telescope, in Chile. This camera has a total of 25,000 KIDs split between two bands, centered at 350 and 850 GHz. In parallel to these ground-based missions, the FP7 project SPACEKIDS has been carried out, with the aim of optimizing KIDs for space applications. The results of this project, and of various laboratory measurements, confirm that MKIDs can meet the requirements of the *CORE* mission, resumed in Table 7. In particular, photon noise limited performance has been shown under optical loads representative of the mission [41] [42]. Furthermore, the tests conducted irradiating MKIDs with ionizing particles have demonstrated their very low susceptibility to Cosmic Rays hits [43].

An overview of the current maturity level of MKIDs in the three main frequency ranges composing the FPA (Low Frequencies, CMB Frequencies, and High Frequencies) is given in the dedicated sections. The details of the design and materials to be adopted in each case will be determined by trade-off studies to be carried out during Phase A.

	Detector noise	Absorption efficiency	Yield	CR induced data loss
<i>CORE</i> goal	5-30 aW/ $\sqrt{\text{Hz}}$	>50 %	>90 %	<10 %

**Table 7:** Summary of the main requirements in terms of performance for the *CORE* detectors.

## 5.2 Low Frequencies (channels: 60 GHz - 115 GHz):

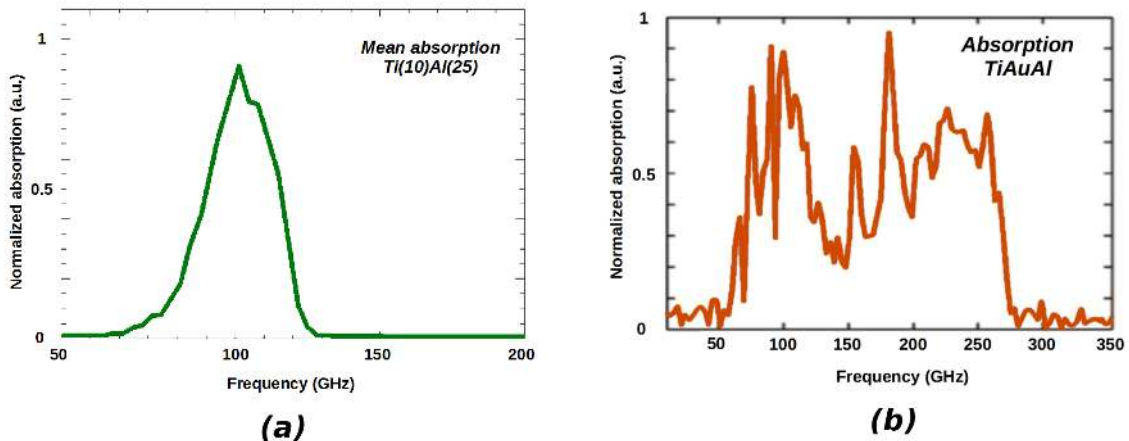
In MKIDs, the lowest energy that can be detected is determined by the superconducting gap of the material used for realizing the resonator. Thin Al films have proven to be the best choice for the frequency band between 110 and 850 GHz (see NIKA2 on the IRAM 30 m and AMKID camera on APEX), and have been undergoing intense developments over the last years. However, the use of Al results in a superconducting cut-off at around 110 GHz and therefore is not suitable for the *CORE* bands covering the 60 to 110 GHz frequency band.

<sup>2</sup><http://www3.mpifr-bonn.mpg.de/div/submmtech/bolometer/A-MKID/a-mkidmain.html>



As a consequence, these bands are at present the less mature ones, and will need the strongest development effort during the phase A. In particular, new materials or configurations have to be adopted. The main route for achieving sensitivity in the low frequency bands will be the use of LEKIDs made of superconducting multilayers: the proximity effect[44] allows in this case to tune the critical temperature, and thus the cut-off frequency, by appropriately choosing the materials composing the multilayer and their thickness. The limited number of pixels available for the LF bands also poses a challenge, as on-chip polarization sensitivity must be achieved, implying a further development effort.

As far as the band coverage is concerned, the first measurements conducted on a Ti/Al bilayer have given promising results [45][46]. As shown in the left panel of figure 11, a simple 10 nm Ti/25 nm Al bilayer already shows an absorption well adapted to the 80-120 GHz range [45] [47]. In the measured array the mean pixel noise under a 300 fW optical load was around  $20 \text{ aW}/\sqrt{\text{Hz}}$ , which is already within a factor 4 of the photon noise level expected at these frequencies. The end-to-end optical efficiency of the system, including the pixel absorption efficiency, was estimated to be above 30%.



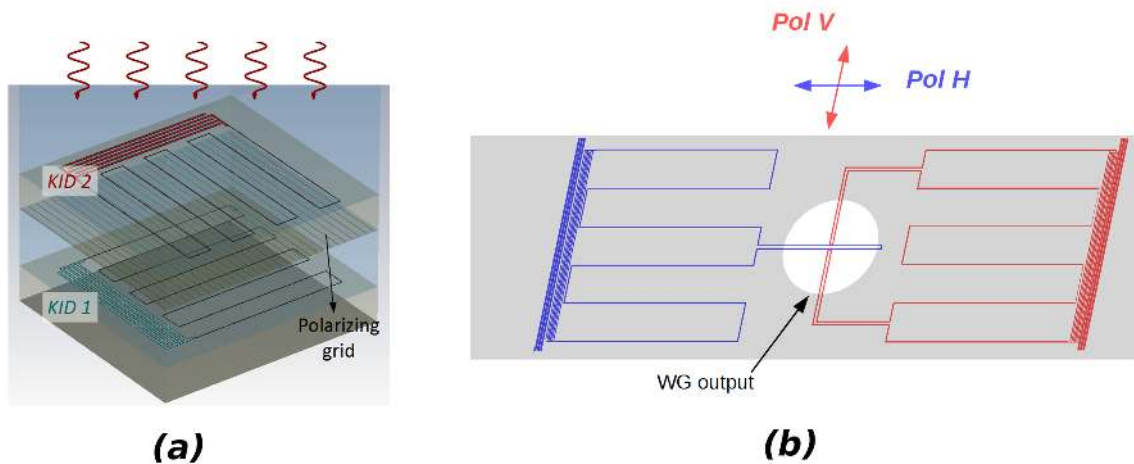
**Figure 11:** Left: absorption spectrum of LEKID realized using a Ti-Al bilayer, as reported in [45]. These KID already demonstrated a good sensitivity in the band 80-120 GHz. Right: to reach even lower frequencies, different thicknesses or materials must be used. The preliminary measurements carried out using an Al-Ti-Au tri-layer show for example a cutoff at 60 GHz (credits: H. Le Sueur, A. Monfardini).

Different paths are open in order to meet the *CORE* requirements and will be investigated during phase A:

- *Band Coverage:* to obtain lower cut-off frequencies and thus be able to cover the full *CORE* LF bands, different Ti/Al thicknesses, as well as trilayers such as Ti/Au/Al, will be explored. The latter has already demonstrated a cut-off at around 60 GHz, as required by *CORE* (right panel of Figure 11). We note here that the decrease in the  $T_c$  of the LEKID is associated with a decrease of their working temperature, and these detectors will most probably need to be operated at around 120 mK or below. However, it is worth noting that lower  $T_c$  will also result in an increase in responsivity.
- *Detector Noise:* the values reported in [45] have been obtained using pixels that had not

been conceived for low optical backgrounds. Furthermore, also the optical configuration was sub-optimal. Thus, an optimization of the pixel design (for example in terms of film thickness and coupling to the readout line) and the maximization of the optical coupling should easily allow to fill the gap between the current performance and the desired goal.

- *Polarization Sensitivity*: To obtain on-chip polarization sensitivity, different solutions will be tested. These include: *a)* a bi-array structure, in which two arrays are superposed and separated by a polarizing grid. The first array will be sensitive to one polarization and the second to the orthogonal one (figure 12, left). *b)* On-wafer planar Ortho-Mode Transducer (OMT) designs coupled to LEKIDs, to benefit from their very low expected cross polarization level (Figure 12, right). *c)* Optical separation of the two polarizations thanks to the development of dedicated multi-mesh flat lenses, capable of focalizing the two orthogonal polarization on different spots of the focal plane.



**Figure 12:** Comparison of two possible solutions that can be adopted to achieve polarization sensitive KIDs. Left: a stack of two pixels separated by a wire grid. The first pixel is mainly sensitive to the polarization parallel to its meanders, but has also a considerable amount of cross polarization ( $\sim 10\%$ ). This effect can be accounted for and corrected thanks to the second pixel which, lying behind a wire-grid polarizer, is sensitive only to the polarization orthogonal to the grid. Right: two LEKIDs used in a planar OMT like configuration. The meanders extend to go sense the two polarizations conveyed by an appropriate waveguide. This kind of approach has been proposed for example in [48] and is expected to give very good results in terms of polarization purity. On the other hand, its need for a waveguide just in front of the pixels poses stricter requirements on the design of the radiation coupling section.

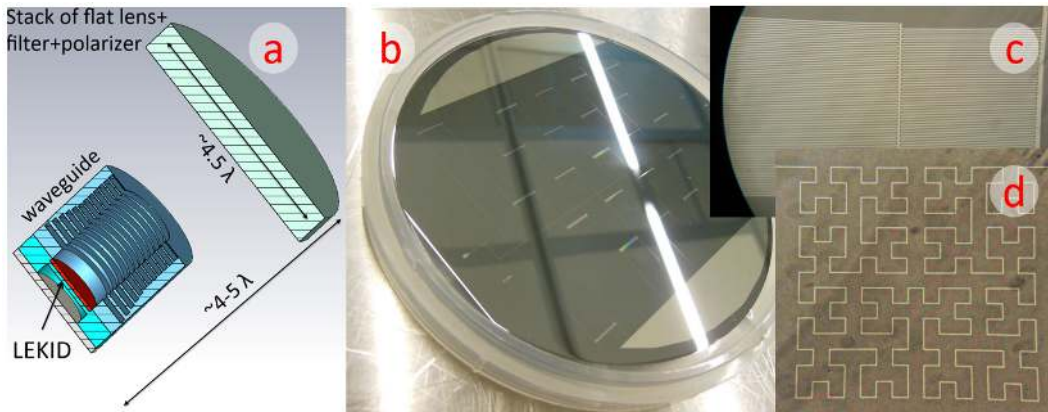
### 5.3 CMB Frequencies (channels: 130 GHz - 220 GHz):

The frequencies near the peak of the CMB polarization can be detected exploiting Aluminum LEKIDs, a technology consolidated by the developments carried out in several laboratories in Europe and already demonstrated on the field thanks to the NIKA and NIKA2 instruments, installed at the IRAM 30-m telescope [37][39]. The pixel design adopted for NIKA2 [49] is based on a particular implementation of the LEKID, in which the meandering inductor

has an Hilbert fractal shape [50]. This solution is ideally suited for full-power measurements, as the Hilbert antenna efficiently absorbs both polarizations.

The NIKA2 pixels have shown excellent performance for the typical conditions of a ground-based experiment, and are already photon-noise limited under medium optical backgrounds [42]. The very same pixels, operated under optical loads representative of a CMB mission ( $\sim 500$  fW/pixel), have shown a mean noise level of  $30 \text{ aW}/\sqrt{\text{Hz}}$  and an end-to-end optical efficiency of 30% [46]. As in the case of the low frequency bands, the noise level is already within a factor  $\sim 4$  of the *CORE* requirements, and an important margin for improvement is granted by the different design parameters that can be optimized to account for the lower optical load.

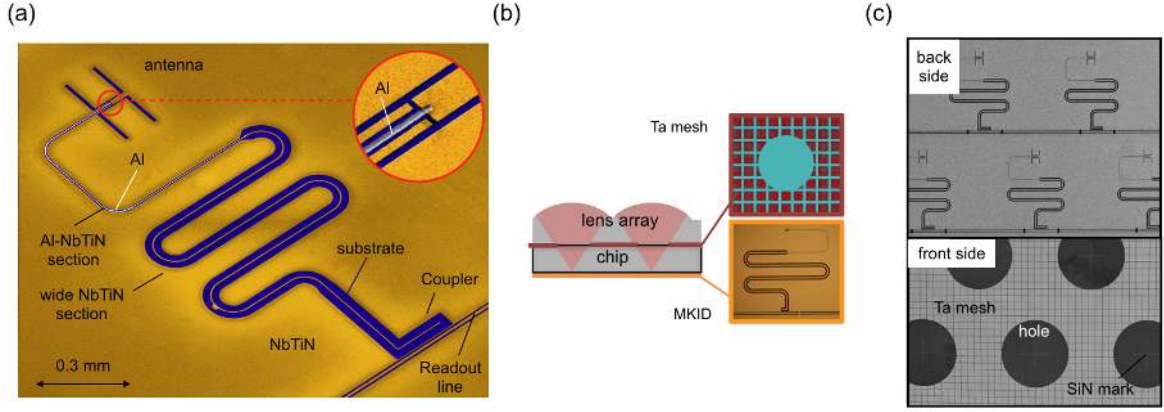
In the implementation foreseen for the *CORE* mission, the resonators are coupled to incoming radiation through a combination of a plastic-embedded-mesh flat lenses (in the focal plane) and a short section of a waveguide, opening in a cavity surrounding the resonator (see Figure 13). This arrangement allows for efficient coupling with a lighter optical system with respect to horn-coupled LEKIDs. A polarization sensitivity upgrade can be envisaged by means of a layer of plastic-embedded metal-wire grids located in the focal plane, stacked on the band-defining embedded-mesh filters layer and on the flat lenses layer.



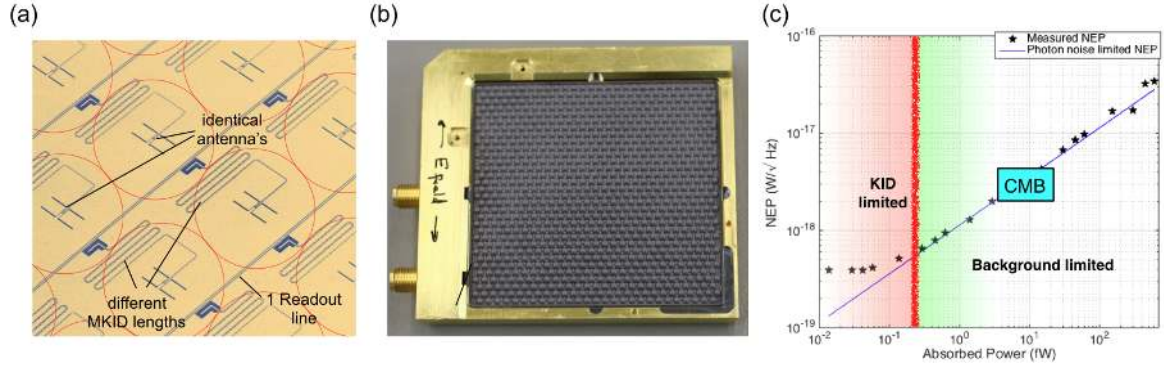
**Figure 13:** a) Light-weight coupling optics proposed for the *CORE* focal plane. A waveguide selecting the HE11 mode is used to transfer on the detector absorber radiation focused by a flat metal mesh lenslet located in the focal plane. All the resonators at the same frequency are lithographed on the same wafer; the lenslets, the polarizers and the band-defining filters are also produced on a continuous layer covering the entire array. b) Sample wafer of 150 GHz LEKIDs produced in Rome (IFN-CNR & Sapienza) c) detail of the capacitive part of the resonator d) detail of the inductor/absorber part of the resonator.

#### 5.4 High Frequencies (channels: 255 GHz - 600 GHz):

The high frequency detectors for *CORE* are envisioned to be made from lens-antenna coupled hybrid MKIDs. The device consists of a meandering coplanar waveguide (CPW)  $\lambda/4$  resonator made of NbTiN on a high resistivity Si substrate. The resonator has a wide section coupled weakly to a common readout line and a narrow section in which the central line is made of aluminum, which is shorted to ground at the resonator end. The length of the resonator sets the readout frequency of the MKID, the radiation coupled to the device is determined by the antenna located at the shorted end of the resonator. Radiation coupled to the antenna is injected in the Al-NbTiN narrow line, where it is absorbed in the aluminum at frequencies



**Figure 14:** (a) Scanning electron micrograph of a single hybrid lens-antenna coupled MKID, with its important structures labelled. (b) Cross-sectional drawing of the MKID chip-lens array assembly. The backside of the chip contains the detectors, mounted to the chip frontside is a monolithic array of microlenses, made from Si. The wafer frontside contains a Beta-phase Ta mesh layer, designed to absorb stray radiation,. Holes co-aligned with the lenses allow the antenna beams to couple efficiently. (c) Front and backside image of the detector wafer prior to assembly, showing the mesh layer, Ta mesh and alignment marks.



**Figure 15:** (a) Scanning electron micrograph of a subset of a large array of lens-coupled hybrid MKIDs. (b) Assembly of a 350 GHz imaging array of 880 detectors coupled to 2mm diameter lenses. (c) Measured performance of a single pixel as a function of power absorbed in the detector, the blue line is the background limited performance given by the photon noise of the source, the black points the measured data. *CORE* will operate around 100 fW/pixel, firmly in the region where the device performance is fully background limited.

exceeding its gap frequency ( $\nu > 90$  GHz). There are no losses in the NbTiN ground plane since NbTiN has a gap frequency of 1 THz, the use of NbTiN and Al therefore makes for an excellent, loss-free device at frequencies between 90 GHz and 1 THz. An image of a single hybrid MKID, with an antenna optimized for single polarization radiation coupling around 350 GHz, is shown in Figure 14(a). For *CORE* we envisage to use a monolithic array for each frequency band, shown schematically in Figure 15(a). To allow efficient radiation coupling the detector array is coupled to a Si lens array using a well-tested bonding process. The cross section of this assembly is schematically shown in Figure 14(b). Alignment is done using alignment marks etched in the SiN as shown in panel (c). Note that we use at the wafer



frontside, i.e. in between the lens array and the detectors, a mesh layer of Beta-phase Ta, with a gap frequency of  $\sim 50$  GHz. This layer has two important functions: it reduces cosmic ray effects and absorbs stray radiation in the detector wafer. A 880 pixel assembly is shown in Figure 15(b). These devices have shown background limited performance in combination with a high radiation coupling efficiency using a single-polarized, narrow-band twin slot antenna at 350 GHz, see [51], and at 850 GHz, see [52]. We reproduce in Figure 15(c) the result from [51], making clear that we are comfortably background limited at 350 GHz at the power levels expected for the instrument.

To adapt the current technology for the high frequency bands of *CORE* only very limited engineering effort is required. i) We need to make detectors for each frequency band, which requires a limited extrapolation to 255 GHz from the demonstrated systems (operating at 350 GHz and 850 GHz) and interpolation for all other bands. ii) We need to optimize the lens-antenna design for minimum spillover and maximum coupling, similar as done for the band 6 of Herschel-HIFI, which has used the same lens-antenna design principle as we will do. iii) We need to make lens arrays with larger lenses. Options here are laser machining, as we currently do, by an external commercial partner (Veldlaser) or mechanical machining using high speed diamond machining. It is to be noted that all frequency bands of *CORE* require significantly less pixels than demonstrated. In Ref. [52] we show that it is possible to multiplex up to 960 pixels using a single readout circuit using only a single cryogenic HEMT amplifier, which is Herschel-HIFI heritage, operated at 4 K [53]. On top of that we demonstrated that many relevant issues for space operation, such as yield, sensitivity, dynamic range and susceptibility to ionizing radiation, are very well under control.

## 5.5 KID Susceptibility to Cosmic Rays

Kinetic Inductance Detectors are pair-braking detectors, and are therefore insensitive to quanta of energy smaller than the superconducting gap  $2\Delta = 3.5k_bT_c$ . Thus, only photons or particles of energy larger than  $2\Delta$  can generate a measurable signal in the KID. This represents a key advantage with respect to bolometric detectors when it comes to the data loss induced by Cosmic Rays impacts. When a high energy particle hits a dielectric wafer, it generates a shower of high energy phonons, which then rapidly thermalize in the wafer. The KID are sensitive only to the first, non-thermal part of the event, while it is not effected by the final, thermal tail of the event during which the energy of the impact is released to the cold bath. Thus, the temporal evolution of a CR induced glitch in a KID is sensibly faster than the corresponding glitch in a bolometer. The recovery time of a KID is in fact of order of 1 ms or less, depending on the details of the pixel and the material used. In a bolometer, the typical values are of hundreds of ms or longer, as outlined by the Planck experiment.

To further mitigate the data loss due to CR impacts, a solution has already been proposed [43]. This is based on the deposition, on the same wafer where the KID arrays are fabricated, of layers of a superconducting material having a critical temperature lower than the one of the material used for the detectors themselves. This additional superconducting layer efficiently absorbs the energetic non-thermal phonons. The phonons that are then re-emitted have an energy just above the gap of this superconductor, and are therefore unable to induce a signal in the KIDs. This phonon mopping technique is very effective at limiting the area of the KID array that is affected by each event, and at shortening the timescale of each glitch. The typical CR induced data loss in KID arrays hardened this way has been estimated to be of only a few % [46][52], and thus fully compatible with the requirements of the *CORE* mission.

## 5.6 Readout Electronics

The readout system on board *CORE* will be based upon a space-qualified version of the existing readout systems in use for: a) the NIKA2 instrument by Grenoble [54]; b) the system developed by SRON for the SpaceKIDs project [55]; and c) the readout for the A-MKID instrument by the Max Planck Institute for Radio Astronomy in Bonn. A multiplexing factor of 1000 has already been achieved in the latter two systems, and the former (based on the NIKEL readout using the DDC algorithm) allows for around 600. Any proposed readout is independent of the exact KID architecture (absorber or antenna coupled), and thus the particular KID architecture adopted will not influence the readout electronics scheme.

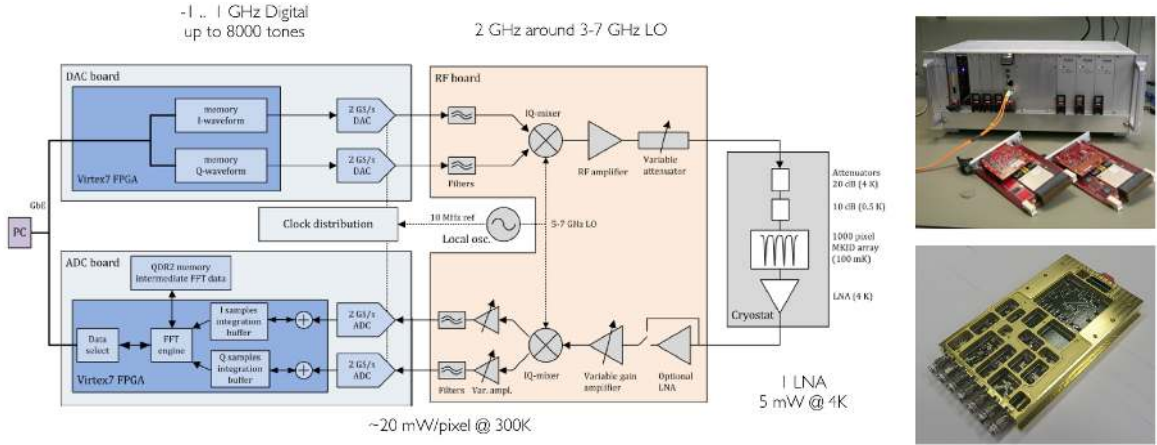
The baseline system architecture consists of the following components (see figure 16): A digital carrier board, which can be loaded with the complex waveforms to read-out up to 1000 MKIDs at the baseband frequency of 0-1 GHz. The complex waveform is converted to the analog world by two DAC's. The signal is upconverted from the baseband to MKID frequencies in the analog board using IQ upconversion and a separate LO, and the result is a readout band of 2 GHz around the LO frequency. The signal is subsequently attenuated/amplified to the correct power level for the MKID array. After being altered by the array, the signal is amplified by a single LNA at 15 K [56] and down-converted back to the baseband. We propose the Herchel-HIFI heritage TRL 9 Yebes 2-4 GHz LNA, requiring 5.5 mW per amplifier. The demodulation board demodulates the complex sampled signal using a FFT and bin-selection algorithm. Depending on the exact system design, QDR2 memory is needed in this board. Control of the system is done using a dedicated Leon3 control processor, which controls the digital boards, the clocks, and the RF attenuator. The clocks for both the converters and the mixers are generated on a dedicated clocking board, both of which are locked to the same reference source.

The estimated power consumption and mass per readout chain are 52 W and 4.5 kg, respectively. Each chain can readout up to 1000 MKIDs. With a margin we will need 3 readout chains, and thus the required total power and mass are 156 W and 13.5 kg, respectively. In this design, there is a margin but no redundancy. The best option would be to make the system fully redundant, which would require a doubling in mass and volume to be able to have a full readout system as backup. On top of this it might be considered to make also the detector system redundant, which would double the cold power dissipation by the LNAs.

The entire readout system proposed here can be made from space-qualified components, most importantly the VIRTEX-5 FPGA. A qualification program is not needed on the component level, but only for the integrated system.

## 6 Cryogenic System

The sensitivity of *CORE* detectors should be limited by the intrinsic photon noise of the sky emission for diffraction-limited detectors observing in broad bands of  $\Delta\nu/\nu \sim 0.3$ . In the 60-600 GHz frequency range this corresponds to minimum background loads in the range of 100-200 fW. Achieving this sensitivity requires continuously cooling the detector array to  $\sim 100$  mK, and the mirrors down to 40 K-100 K. The *CORE* cryogenic chain leverages on the ultra-low temperature space missions heritage (Planck [57], Hitomi) and ongoing developments (MIRI/JWST, XIFU/Athena) to succeed.



**Figure 16:** Overview of the baseline readout system (left) and images of the ADC card (top right) and analog board (bottom right).

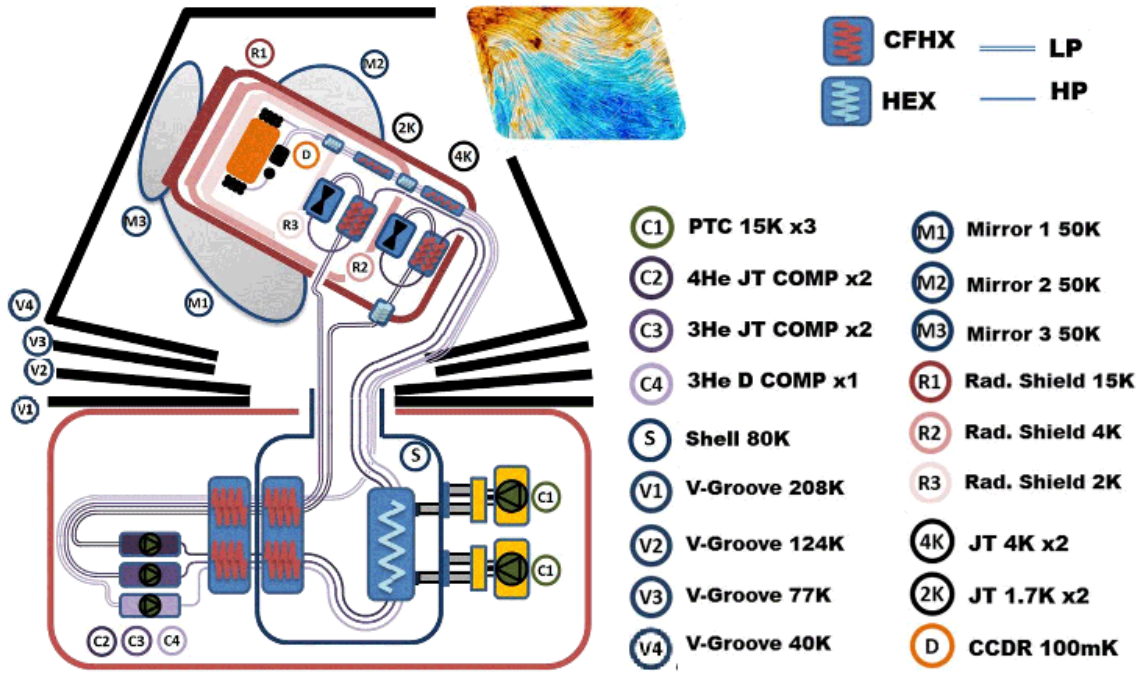
The *CORE* cryogenic architecture minimizes the development risk for a continuous low temperature cooling chain, and is open to potential evolutions of the instrument needs or configurations during the phase-A study.

The cooling system implementation is based on the following assumptions:

- The system should work continuously for at least 5 years in space, and cool the focal plane at 100mK and the telescope at 40-100K.
- All active coolers shall be redundant, except for the 100 mK stage.
- For the cooling power, a margin of more than 25% at all temperature stages is required, except for the 100 mK stage, where we require 100% margin.
- Coolers from Europe shall be baselined.

The cryo-system is basically divided into 3 sub-systems, as visible in Figure 17 ([58]).

- The first sub-system is located in the service module (SVM) and includes all the compressors for the active coolers (described below) in order to limit micro-vibrations and EMI issues at payload module (PLM) level. It also includes a small cryostat thermally anchored to the pulse tube coolers (PTC).
- The second sub-system is the SVM to PLM connection. It consists in a set of V-Grooves and insulated lines to transfer  $^4\text{He}$  and  $^3\text{He}$  of the coolers from the SVM, where they are pre-cooled, to the PLM. This passive cooling system is made possible by the large surface area of the instrument baffle. With our telescope configuration, V-Grooves similar to the ones proposed for the Planck mission [57], or the SPICA [59] and Ariel studies, can be re-proposed. Given the impact of the scan strategy on the requirements for these V-grooves, their optimization is discussed in detail in the mission companion paper [5]. Here we assume that a baseline temperature of 40-100 K is produced by this subsystem.



**Figure 17:** Overall configuration of the cryogenic system for *CORE* .

- The last sub-system consists of a series of concentric shells, going from  $\sim 18\text{K}$  down to  $\sim 1.7\text{K}$ , in order to limit the thermal loads on the lower temperature stages. It also includes the  $0.1\text{K}$  focal plane unit cooled by the low temperature stages of the closed-cycle dilution refrigerator. The cool-down to around  $18\text{K}$  of the PLM external envelope (R1) is achieved by using remote cooling from the SVM, with a concept similar to the one developed for MIRI in JWST.

With this configuration, the baseline system provides  $2.3\mu\text{W}$  continuous at  $100\text{mK}$  (for a requirement of  $1.1\mu\text{W}$ ). The total mass is  $\sim 210\text{kg}$  (excluding V-Grooves) with a total electrical power required  $\sim 1300\text{W}$ , including thermal control. The expected lifetime is 5 years, potentially extendable to 10 years. The budgets for this cryogenic system are summarized in Table 8 below.

In the following we give additional information on key sub-systems of the cryogenic system of *CORE*.



CORE Cryogenics: Engineering Budget													
		Type of Cooler			PTC			JT 4K		JT 2K		CCDR	
		Number of coolers			2			1		1		1	
		Nb of ON coolers			2			1		1		1	
Reference	Component	T (K)	Planck		Cond.	Rad. In.	OFF Cooler	Detectors	TOTAL Loss	Resulting Margins	Per Item	Cumulated	
			Cond.	Cond.									
Passive Cooling	VG 1	208	32.8	40.7						W	29.9	119 kg	
	VG 2	124	4.2	12.4						W	29.4		
	VG 3	77	1.4	1.4						W	59.3		
	VG 4 + Baffle	40.1	0.6	0.6						W			
80 K Stage	5 Shells	82	120	475	4059	276	200	0	2052	0	3123	mW	+20% Margin
PTC					M=10%	M=20%	M=100%		1 PT + 2 JT				10.4
15 K Stage	PTC	15	12	60	783	114	90	9	188	30	503	mW	56%
	+ R1 Shield			From 50K	M=10%	M=20%	M=100%	M=50%	1 PT + 2 JT				29.9 kg
4 K Stage	4K JTC	4.5	14.5	2.30		24	2.25	0.02	0.19	0.19	19.22	mW	25%
	+ R2 Shield			From 20K		M=20%		M=50%					6.9
1.7 K Stage	1.7K JTC	1.65	1.26	0.13			10	5.25	0.02	0.08	6.72	mW	49%
	+ R3 Shield			From R2			M=33%	M=50%					4.6
0.1 K Stage	CCDR	0.1	~0.0	~0.0			2.3	1.1	1.1	1.1	1.1	μW	112%
	CCDR			Intercepted			M=33%						6.7
				From R3									8 kg
Electrical Power incl. CDE (W)			900	120	120	120	50	TOTAL POWER (Coolers)+100 W Thermal Control					1290 W
Cooler Mass incl. CDE			84	40	54	31	TOTAL MASS (Coolers)					209 kg	
Cooler Mass with V-Grooves and Baffle			TOTAL MASS WITH V-GROOVES									328 kg	

**Table 8:** Mass, Power and Heat budgets for the *CORE* cryogenic system.

## 6.1 Coolers

In addition to the V-Grooves, the cryo chain is composed of:

- 3 Pulse Tube Coolers (PTC): two systems ON running below their maximum power and one PTC kept OFF for the purpose of redundancy. The 15 K PTC developed by ALAT/CEA/TCBV is baselined [60]. A prototype has recently been tested and has demonstrated 435 mW at 15 K on the lower end together with 2 W at 80 K on the first stage. The system is compact and weighs about 18 kg without its drive electronics (CDE). It uses a maximum of 300 W of electrical input at compressor level, i.e.  $\sim 450$  W including the CDE. A development phase has recently brought this cooler to TRL 5.
- 2 Joule Thomson (JT) Coolers operating at 4.5 K (one cooler is ON and one is OFF for redundancy) [61]. The compressor will benefit from the ongoing 2 K JT cooler development, but will use just 2 compression stages instead of 4. The cold piping and ancillary panels are similar to the 4 K JT Planck cooler and do not need additional development. A higher cooling power (30 mW at 4.5 K) than for Planck (20 mW at 4 K) can be supplied by taking advantage of the lower 15 K pre-cooling temperature available from the PTC, and by using an increased ( $\sim 10$  %) mass-flow.
- 1 Closed Cycle Dilution Refrigerator (CCDR). This cooling technology is based on the Planck heritage, but includes some major evolutions such as the distillation and recirculation of  $^3\text{He}$  and  $^4\text{He}$ . It requires precooling at 1.7 K (5.25 mW with 50% margin). It is baselined because the *CORE* mission calls for continuous observation but also because the focal plane is heavy. Mechanical modeling studies show that to avoid a complex mechanical release mechanism as on Planck, 24 Carbon Fiber Reinforced Plastic tubes OD/ID 5/3 mm are needed to support a 500 mm diameter 8 kg detector plate under 120 g static acceleration and with a resonant frequency above 200 Hz. The price to pay is a conduction load as high as 20  $\mu\text{W}$  from 1.7 K to 0.1 K. This subsystem is described in detail below.

## 6.2 Closed Cycle Dilution Refrigerator

Gravity plays an important role in the operation of  $^3\text{He}$ - $^4\text{He}$  dilution refrigerators on Earth since it localizes the interfaces among a relatively dense  $^3\text{He}$ -poor liquid phase, a less dense  $^3\text{He}$ -rich liquid phase, and an even less dense  $^3\text{He}$ -rich vapor phase in convenient positions.

The dilution refrigerator on the Planck satellite has a different design where capillary forces play the role of gravity. This dilution refrigerator consists of three capillaries soldered in parallel to form a heat exchanger. The capillaries form an Y-junction at the cold end of the dilution refrigerator. Liquid  $^3\text{He}$  and liquid  $^4\text{He}$  flow separately through two of those capillaries to the Y-junction, where mixing produces cooling. The mixture returns through the third capillary and expands in a 1.6 K Joule-Thompson cooler 1.5 K before being pumped by space. Therefore, the Planck dilution refrigerator is called an Open Cycle Dilution Refrigerator (OCDR).

The cooling power and the life time of this refrigerator are limited by the amounts of  $^3\text{He}$  and  $^4\text{He}$  stocked on the spacecraft. In order to increase the cooling power, the Néel Institute (in collaboration with Air Liquide) has developed an  $^3\text{He}$ - $^4\text{He}$  isotope separator working at (0.6–1.2) K to close the cycle.

The Closed Cycle Dilution Refrigerator (CCDR) has three disadvantages with respect to the OCDR:

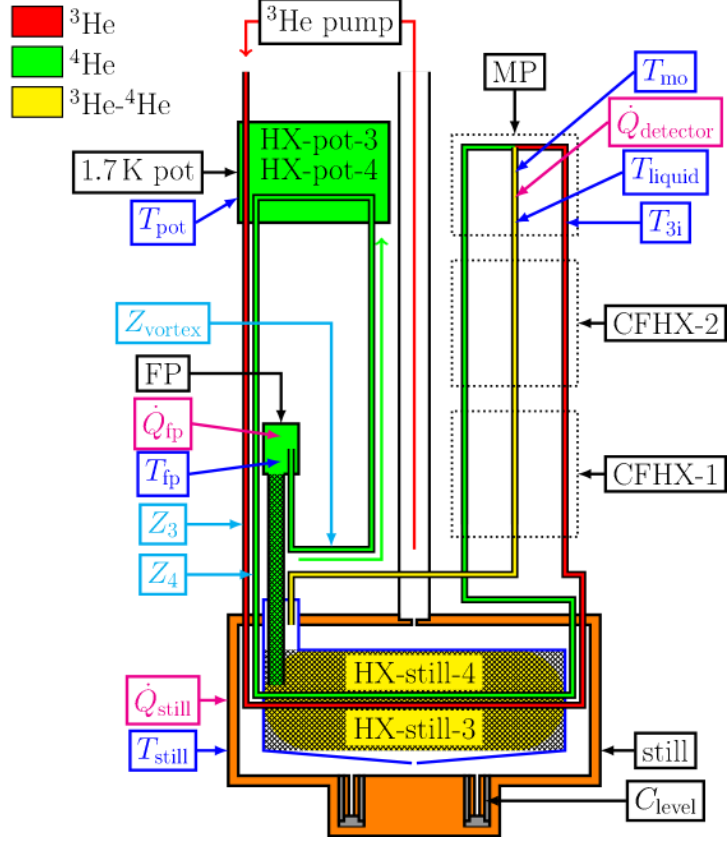
1. It requires a 1.7 K cooler, because the isotope separator in the CCDR takes the place of the Joule-Thompson cooler in the Planck refrigerator.
2. It requires to localize a liquid-vapor interface in zero gravity, because the extraction of  $^3\text{He}$  uses the difference in vapor pressures of  $^3\text{He}$  and  $^4\text{He}$  in the phase separator.
3. It requires a  $^3\text{He}$  circulation pump.

We discuss the current state of the art by showing some results obtained with an upside-down CCDR in combination with a 3-stage reciprocal compressor developed by JAXA by modifying their 2-stage 1.7 K  $^3\text{He}$  Joule-Thompson compressor. We have built the upside-down CCDR shown in Figure 18 to demonstrate that liquid  $^3\text{He}$ - $^4\text{He}$  can be retained by capillary forces in a sponge under the conditions of negative gravity instead of zero gravity. The CCDR consists of 3 subsystems:

1. A Counter Flow Heat eXchanger (divided in sections CFHX-1 and CFHX-2 in Figure 18) and a Mixing Part (MP). We have scaled up the diameters of the capillaries in this subsystem with respect to Planck's OCDR to provide more cooling power at lower temperatures. The CCDR will cool the focal plane through the  $^3\text{He}$ - $^4\text{He}$  mixture return capillary indicated by the heater  $\dot{Q}_{\text{detector}}$ .
2. An isotope separator (still) allowing to pump  $^3\text{He}$ -rich vapor (90%) from the liquid  $^3\text{He}$ - $^4\text{He}$  mixture confined in a sponge in the still by means of a  $^3\text{He}$  pump as well as superfluid  $^4\text{He}$  by means of a fountain pump (FP). Heat exchangers (HX-still-3 and HX-still-4) cool the  $^3\text{He}$  and  $^4\text{He}$  streams before they enter into the CFHX.
3. A 1.7 K pot (future  $^3\text{He}$  Joule-Thompson expansion provided by RAL) to liquefy the  $^3\text{He}$  gas returning from the  $^3\text{He}$  pump and to cool the  $^4\text{He}$  liquid coming from the fountain pump.

We have designed the heat exchanger above the sponge in the still to make the capillary confinement harder because of the hydrostatic pressure exercised by the liquid in heat exchanger. In fact, the MP is sitting 150 mm above the still while we estimate the capillary height in the Procelit P160 sponge to be (30–40) mm. Indeed, the sponge leaks in case of zero  $^3\text{He}$  and  $^4\text{He}$  flow rates. Nevertheless, the CCDR works well without any liquid leaking from the sponge as monitored by the capacitance liquid level gauge  $C_{\text{level}}$ . We explain the successful confinement by the viscous pressure drops in the capillaries of the CFHX when the CCDR is circulating.

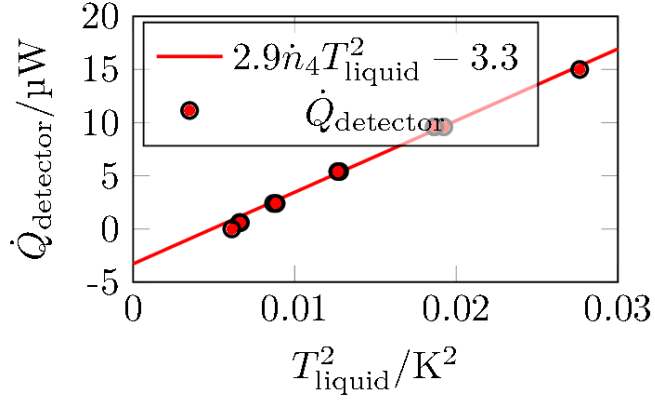
Figure 19 shows cooling power data obtained by applying heat to  $\dot{Q}_{\text{detector}}$  and measuring the temperature  $T_{\text{liquid}}$  which is the temperature of the liquid  $^3\text{He}$ - $^4\text{He}$  mixture downstream of  $\dot{Q}_{\text{detector}}$  and upstream of the CFHX (see Figure 18). We have fitted the data by the approximate relation  $\dot{Q}_{\text{detector}} = A\dot{n}_4 T_{\text{liquid}}^2 - \dot{Q}_{\text{leak}}$ , where  $\dot{n}_4 = 235 \mu\text{mol s}^{-1}$  obtained from the relation  $\dot{Q}_{\text{fp}} = \dot{n}_4 T_{\text{fp}} s_{40}(T_{\text{fp}})$  which is based on the second law of thermodynamics and the molar entropy ( $s_{40}$ ) data of liquid  $^4\text{He}$ ,  $A = 2.9 \text{ J mol}^{-1} \text{ K}^2$  which is in very good agreement with thermodynamic data of  $^3\text{He}$ - $^4\text{He}$  mixtures, and  $\dot{Q}_{\text{leak}} = 3.3 \mu\text{W}$ . Note that  $\dot{Q}_{\text{detector}} = 3.5 \mu\text{W}$  at  $T_{\text{liquid}} = 0.1 \text{ K}$  even in the presence of a heat leak of  $3.3 \mu\text{W}$ .



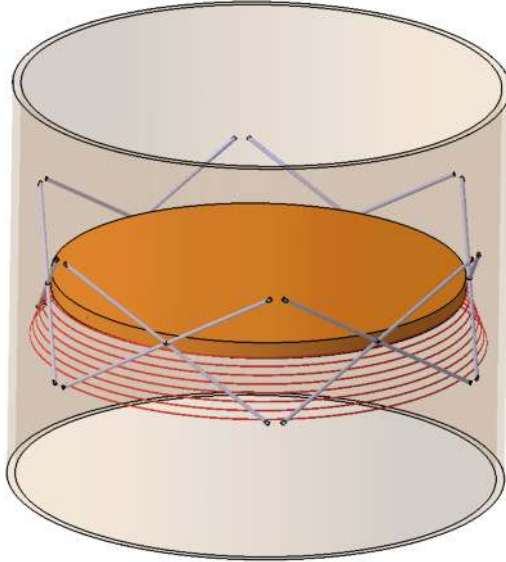
**Figure 18:** Diagram of the upside-down closed cycle dilution refrigerator inside the 4.2 K vacuum can. The still contains a sponge pot (outlined in blue) filled with a Procelit P160 sponge (black crosshatch) to confine the liquid mixture (yellow). A  $^3\text{He}$  pump extracts almost pure  $^3\text{He}$  through the pumping line, the 1 mm  $\varnothing$  orifice at the bottom of the pumping line, and the 1 mm  $\varnothing$  orifice at the sponge pot bottom out of the Procelit P160 sponge. A fountain pump FP extracts pure  $^4\text{He}$  (green) from the Procelit P160 sponge. The almost pure  $^3\text{He}$  (red) and pure  $^4\text{He}$  (green) flow back into the dilution refrigerator heat exchanger (sections CFHX-1 and CFHX-2) after cooling in the heat exchangers in the 1.7 K pot and the still. We show some of the heaters (magenta labels), some of the thermometers (blue labels), and the level gauge  $C_{\text{level}}$  used to operate and characterize the CCDR. The three flow impedances (cyan labels) serve either to liquefy  $^3\text{He}$  gas ( $Z_3$ ), or to make the fountain pump work ( $Z_{\text{vortex}}$ ), or to diminish the heat load from the 1.7 K pot on the still ( $Z_4$ ) in case the fountain pump circulates no  $^4\text{He}$ .

### 6.3 Focal Plane Suspension with Thermal Intercepts

Figure 20 shows a simplified model of the focal plane suspension with thermal intercepts to check the feasibility of a suspension system meeting the mechanical requirements of a satellite launch as well as the thermal requirements imposed by the operation of the focal plane at 0.1 K. We have chosen Carbon Fiber Reinforced ePoxy (CFRP) rods because of its high Young's modulus, its high yield strength, and its low thermal conductivity. The low thermal contraction of CFRP with respect to metals may be a disadvantage, since the cooling of the struts may impose additional strain. However, in case the satellite is being launched with the focal plane at 300 K this disadvantage plays no role. The geometry of the suspension system in Figure 20 is an advantage, since it has the optimal position of the center of mass of the focal plane.



**Figure 19:** CCDR focal plane cooling power data obtained by applying heat to  $\dot{Q}_{\text{detector}}$  and measuring the temperature  $T_{\text{liquid}}$  of the outgoing liquid  ${}^3\text{He}$ - ${}^4\text{He}$  mixture between  $\dot{Q}_{\text{detector}}$  and the CFHX.



**Figure 20:** The target design model for the preliminary mechanical and thermal calculations consists (1) of a 0.1 K focal plane (rigid cylindrical plate with a nominal mass of 8 kg and a nominal diameter of 500 mm), (2) of 24 CFRP suspension rods between the focal plane and the 1.7 K radiation screen (nominal diameter of 580 mm), and (3) the dilution refrigerator CFHX in the form of a spiral below the focal plane to intercept heat currents through the 12 CFRP struts below the focal plane. In addition, vertical high thermal conductivity metal links (not shown) between the upper struts and CFHX interception points on the lower struts will intercept the heat currents through the 12 CFRP struts above the focal plane.

The results of the mechanical study are still preliminary but look promising. We summarize here the results of calculations done to find the optimal angles for 24 CFRP tubes with a fixed length of 195 mm, a fixed inner diameter of 3 mm and a fixed outer diameter of 5 mm. The effect of varying the angles is that (1) the vertical distance between the strut fixations on the 1.7 K envelope below and above the focal plane can change and that (2) the diameter of

Section	$L_{\text{cfhx}}$ m	$D_i$ mm	$D_o$ mm	$\dot{Q}_{\text{load}}$ $\mu\text{W}$	$L_{\text{cfrp}}$ mm	$A_{\text{cfrp}}/L_{\text{cfrp}}$ mm
0	0.1	0.2	0.2	0.0		
1	1.9	0.2	0.2	0.0	80.0	3.77
2	3.0	0.4	0.4	0.0	40.0	7.54
3	3.0	0.4	0.4	0.0	40.0	7.54
4	3.0	0.4	0.4	7.0	40.0	7.54

**Table 9:** CFHX section input data for the calculation of the CFHX temperature profiles shown in Figure 21. The data consists of the section number, the length  $L_{\text{cfhx}}$  of the section, the diameter of the incoming liquid  $^3\text{He}$  stream  $D_i$ , the diameter of the outgoing liquid  $^3\text{He}$ - $^4\text{He}$  mixture stream  $D_o$ , an externally applied heat load  $\dot{Q}_{\text{load}}$  to a thermal anchoring point at the cold end of the heat exchanger section with the exception of the last section where  $\dot{Q}_{\text{load}} = \dot{Q}_{\text{detector}}$ , the distance  $L_{\text{cfrp}}$  between two thermal anchoring points, and the ratio  $A_{\text{cfrp}}/L_{\text{cfrp}}$  where  $A_{\text{cfrp}}$  is the cross section area of the 24 CFRP struts in parallel. The total length of the CFRP struts is 200 mm, the distance between the thermal anchoring points on thermal screen at 1.7 K and the cold end of section 1 equals 80 mm, and  $L_{\text{cfrp}}$  in section 4 is the distance between the thermal anchoring point at the cold end of section 3 and the focal plane. The CFRP struts are tubes with an outer diameter of 5 mm and an inner diameter of 3 mm.

the 1.7 K envelope can change. The vertical distance has been varied from 120 mm to 220 mm and the diameter of the 1.7 K envelope has been varied from 680 mm to 740 mm. The lowest resonant frequencies vary from 182 Hz to 265 Hz for those configurations while the struts do not buckle for accelerations of 120 times gravity on earth. In order to reduce the diameter of the 1.7 K to 580 mm, the length and the cross-section area of the tubes have to be reduced by the same factor to keep the same resonance frequencies. In this case, we expect the buckling threshold to increase. Those results are very promising, but we point out that the vibration modes of the focal plane should be handled together with its suspension structure.

In order to have a design aid for the focal plane suspension system, we have written a program to solve differential equations for the enthalpy balance in the CFHX using a collocation method for boundary value problems. The differential equations take into account (1) the flows of enthalpy due the incoming  $^3\text{He}$  stream and the outgoing  $^3\text{He}$ - $^4\text{He}$  mixture stream, (2) the heat transfer from the incoming  $^3\text{He}$  stream to the outgoing  $^3\text{He}$ - $^4\text{He}$  mixture stream through the walls the CFHX (the dominant thermal resistance is the boundary resistance between the helium and the CuNi capillaries forming the CFHX), and (3) viscous dissipation due to Poiseuille flow. The program is flexible enough to handle a CFHX consisting of an arbitrary number of sections with different lengths and diameters as shown in Table 9. Table 9 also shows that is possible (1) to short-circuit the CFHX sections with sections of CFRP struts and (2) to apply heat loads to the outgoing  $^3\text{He}$ - $^4\text{He}$  mixture between the CFHX. Other parameters are for instance the  $^3\text{He}$  circulation rate  $\dot{n}_3$ , the  $^4\text{He}$  circulation rate  $\dot{n}_4$ , the still temperature  $T_{\text{still}}$ , and the diameter  $D_{\text{mo}}$  and the length  $L_{\text{mo}}$  of the  $^3\text{He}$ - $^4\text{He}$  mixing part capillary (the yellow capillary inside the dashed MP box in Figure 18).

We have compared solutions of the differential equations with the performance of the upside-down CCDR and our best upside-up CCDR with  $T_{\text{detector}} = 51.4$  mK and  $T_{\text{liquid}} = 44.0$  mK for  $\dot{Q}_{\text{detector}} = 1$   $\mu\text{W}$ . We have seen that the temperature  $T_{\text{liquid}}$  of the solutions agrees within 5% with the experimental data.

Table 10 and Figure 21 show the solution of the differential equations for the input data shown in Figure 9. Some of the other parameters are  $\dot{n}_3=35$   $\mu\text{mol s}^{-1}$ ,  $\dot{n}_4=205$   $\mu\text{mol s}^{-1}$ ,

Section	$\dot{Q}_{\text{cfrp,cold}}$ $\mu\text{W}$	$\dot{Q}_{\text{load,cold}}$ $\mu\text{W}$	$T_{\text{i,warm}}$ K	$T_{\text{i,cold}}$ K	$T_{\text{o,warm}}$ K	$T_{\text{o,cold}}$ K
0		0.000	1.200	0.413	0.644	0.347
1	43.303	0.000	0.413	0.301	0.347	0.300
2	1.410	0.000	0.301	0.139	0.197	0.137
3	0.071	0.000	0.139	0.119	0.131	0.116
4	0.041	7.000	0.119	0.105	0.115	0.099

**Table 10:** CFHX calculation output data for the input data shown in Table 9. The data consists of the section number, the heat current  $\dot{Q}_{\text{cfrp,cold}}$  through the CRFP struts and intercepted by a thermal anchor at the cold end of the heat exchanger section (for the last section it is the heat current to the focal plane), the externally applied heat load  $T_{\text{load,cold}}$  to a thermal anchoring point at the cold end of the heat exchanger section with the exception of the last section where  $\dot{Q}_{\text{load}} = \dot{Q}_{\text{detector}}$ , the temperature  $T_{\text{i,warm}}$  of the incoming liquid  ${}^3\text{He}$  stream at the warm end of the heat exchanger section, the temperature  $T_{\text{i,cold}}$  of the incoming liquid  ${}^3\text{He}$  stream at the cold end of the heat exchanger section, the temperature  $T_{\text{o,warm}}$  of the outgoing liquid  ${}^3\text{He}$ - ${}^4\text{He}$  mixture stream at the warm end of the heat exchanger section, and the temperature  $T_{\text{o,cold}}$  of the outgoing liquid  ${}^3\text{He}$ - ${}^4\text{He}$  mixture stream at the cold end of the heat exchanger section.

$T_{\text{still}}=1.2\text{ K}$ ,  $D_{\text{mo}}=0.6\text{ mm}$ , and  $L_{\text{mo}}=1.5\text{ m}$ . The flow rates  $\dot{n}_3$  and  $\dot{n}_4$  are representative of the values during the tests of the upside-down CCDR in combination with the space qualified JAXA  ${}^3\text{He}$  circulation pump.

The results show that the thermal intercept at the cold end of CFHX section 1 evacuates  $43.3\ \mu\text{W}$  in total at  $0.3\text{ K}$  or  $1.8\ \mu\text{W}$  per strut. Vertical thermal links between the heat intercepts on the struts below the focal plane and the struts above the focal plane have to intercept the heat current through those struts. The thermal conductivity of high-quality copper or silver is  $1000T\ \text{W K}^{-1}\ \text{m}^{-1}$ .

In this case, a thermal link for a heat current of  $1.8\ \mu\text{W}$  with a cross-section of  $0.1\ \text{mm}^2$  and a length of  $0.1\ \text{m}$  will have a temperature difference of  $6\ \text{mK}$  over the length of the link.

The thermal intercept at the cold end of section 3 is only  $1.4\ \mu\text{W}$  at  $0.14\ \text{K}$  and is easier to handle and the intercept at the cold end of section 3 is not very useful, since it evacuates only  $1\%$  of the heat load on the mixer part.

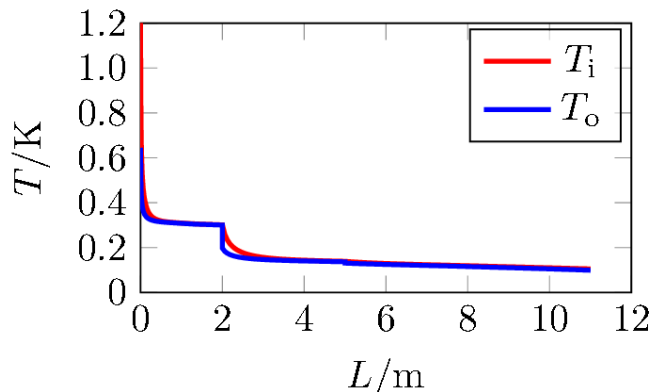
We point out that the total length of the heat exchanger should be at least  $15\ \text{m}$  in order to intercept heat on the struts at three different temperatures. However, prolonging the heat exchanger to for instance  $20\ \text{m}$  not affect the equivalent of  $T_{\text{liquid}}$  in Figure 18, since it is entirely controlled by  $\dot{Q}_{\text{detector}}$ .

Finally, we point out that we did not discuss the mechanical suspension of the still, but we think it should be treated separately from the CFHX and focal plane assembly and we expect it to be straightforward because the still is much lighter and smaller than the focal plane assembly.

#### 6.4 1.7 K ${}^3\text{He}$ Joule-Thompson expansion cooler requirements

The  ${}^3\text{He}$  Joule-Thompson expansion cooler serves (1) to cool the liquid  ${}^4\text{He}$  coming from the fountain pump to  $1.7\ \text{K}$  and to cool and liquefy the  ${}^3\text{He}$  gas coming from the  ${}^3\text{He}$  pump. Therefore, we may write the heat load on the  ${}^3\text{He}$  Joule-Thompson expansion as the sum of two contributions  $\dot{Q}_{\text{JT}}(\dot{n}_3) = \dot{n}_3 (L_{30}(T = 1.7\ \text{K}) + 2.5R(T_{\text{gas}} - 1.7\ \text{K}))$  and  $\dot{Q}_{\text{JT}}(\dot{n}_4) = \dot{n}_4 (H_{40}(T_{\text{fp}}) - H_{40}(1.7\ \text{K}))$ , where  $L_{30}$  is the latent heat of liquefaction of  ${}^3\text{He}$ ,  $H_{40}$  the enthalpy of liquid  ${}^4\text{He}$ , and  $T_{\text{gas}}$  the temperature of the  ${}^3\text{He}$  gas before liquefaction. In all





**Figure 21:** Temperature profiles of the incoming almost pure  ${}^3\text{He}$  stream  $T_i$  and the outgoing  ${}^3\text{He}$ - ${}^4\text{He}$  mixture stream along the CFHX between the still at 1.2 K and the mixing part slightly below 0.1 K cooling the focal plane. In fact,  $T_o$  at  $L = 11$  m – the equivalent of  $T_{\text{liquid}}$  in Figure 18 – equals 99 mK.

our experiments up to now  $T_{\text{gas}} = 4.2$  K, but we plan to reduce it to below 2.0 by means of a heat exchanger between the incoming and outgoing  ${}^3\text{He}$  gas. In this case the value  $\dot{Q}_{\text{JT}}(\dot{n}_3=35 \mu\text{mol s}^{-1})$  will decrease from 3.4 mW to below 1.8 mW. In case of  $T_{\text{fp}}=2.15$  K,  $\dot{Q}_{\text{JT}}(\dot{n}_4 = 205 \mu\text{mol s}^{-1}) = 1.7$  mW. Since  $H_{40}(T)$  is a steep function of  $T$ , ( $H_{40}$  decreases by about 20% when  $T$  decreases from 2.15 K to 2.1 K), the design of the fountain pump has to make it work at the lowest temperature possible. In summary, in case  $\dot{n}_3=35 \mu\text{mol s}^{-1}$  and  $\dot{n}_4=205 \mu\text{mol s}^{-1}$ , the current configuration requires a heat lift of 5.1 mW from the  ${}^3\text{He}$  Joule-Thompson expansion cooler, but the requirement will decrease to below 3.5 mW with a heat exchanger between the incoming and outgoing  ${}^3\text{He}$  gas.

## 7 Instrument Calibration

By instrument calibration we intend the measurement of all instrument characteristics which impact the data analysis and hence the science products of the mission. The experience of *Planck* shows that the ultimate data quality of extreme sensitivity measurements is likely to be limited not by white noise but by residual systematic effects, which mainly reflect the level of accuracy achieved in the calibration of the instrument. This experience also shows that non-idealities can be corrected for in the data processing as long as they are known with sufficient precision. A broad requirement for calibration accuracy is that uncertainties in the measurements of all the instrument parameters give rise to a level of systematics which is significantly less than the statistical noise. By statistical noise we mean the white noise in the final product maps arising from detector sensitivity averaged over the entire range of angular scales of interest. However, the way in which systematic effects impact the science products of the mission is far from trivial (e.g. [62]). In general it is necessary to simulate systematic effects and propagate them through the data analysis pipeline up to the cosmological results, with an accuracy and a level of detail that depends on the significance of the specific effect being evaluated.

Defining requirements is essential in the calibration plan and requires close interaction with instrument design and mission strategy (see [5]). We propose here two main stages in the calibration plan: 1) ground-based system level characterization and 2) in-flight measurements



using astronomical sources. The *CORE* calibration plan will include a combination of tests on ground and in flight for each of the calibration parameters to be measured. The main classes of instrumental parameters to be characterized are:

1. Photometric (or absolute) calibration: conversion of the product maps from generic telemetry units to physical units ( $\mu\text{K}_{\text{CMB}}$ ). Gain factors for each radiometer will be measured on the ground at several stages. The final calibration will be performed in-flight.
2. Relative calibration (signal stability): stability of the gain and zero-level. This will be simplified by the redundancy of the scanning strategy.
3. Thermal effects: systematics induced by thermal fluctuations in the 0.1 K, 1.7 K, 4 K, 20 K and 300 K stages; cooler induced microphonics. A set of temperature sensors will monitor the thermal configuration of the instrument and stability. The necessary accuracy and resolution of thermal calibration will be based on simulations requiring a detailed thermal model of the focal plane.
4. Detector chain non-idealities: detector time-response; non-linearity of the detector response; non-linearity of ADC converters; impact of cosmic rays; sensitivity to microphonics.
5. Spectral calibration: detailed bandpass measurements on the ground. In-flight verification of the measured bandpasses will be possible through observation of diffuse and point sources with steep spectra.
6. Optical calibration: main beam determination, near sidelobes, far sidelobes (both total intensity and polarization). Direct measurements of the main beams and near lobes down to -35 / -40 dB will be possible in-flight exploiting signals from planets and strong polarized sources. Detailed models of the far sidelobes will be constructed with state-of-the-art physical optics codes (GRASP<sup>3</sup>) and convolved to models of the full sky emission to propagate signatures from straylight. The optical model will be validated by comparing simulation with direct measurements of main beams and near lobes.
7. Polarization-specific calibration: polarization efficiency and polarization angle of each detector; and in the case of using a half-wave plate the systematics that it may induce. These will be measured both on the ground and, possibly, in-flight.
8. Intrinsic noise characterization: detailed measurements of the noise properties (noise power spectrum,  $1/f$  noise, possible non-gaussianity) and their time evolution are needed. These will be standard measurements in ground testing and in-flight operation

## 7.1 Ground Calibration

The experience gained from the *Planck*-HFI has shown that while a great deal of effort was put in instrument ground calibration [63], some effects were not anticipated at the level observed (cosmic ray hits for instance) while some other parameters could have benefited from a better characterization. Therefore we will follow a similar but more complete instrument ground calibration and with higher accuracy in the determination of parameters that are crucial for polarization measurements. However, the difficulty will be to adapt this calibration strategy from tens of pixels for *Planck* to thousands of pixels for *CORE*. It is likely that full

---

<sup>3</sup>[www.ticra.com](http://www.ticra.com)

characterization of each individual pixel with extremely high accuracy would be too costly and time consuming. In that case, the *CORE* strategy will include general tests conducted on all components and pixels to check for anomalies, failures, and performance inhomogeneity, complemented with thorough testing on a subset of pixels across the frequency bands.

The *Planck* data analysis has also highlighted the criticality of a detailed knowledge of beams and far-sidelobes, particularly for polarization. Clearly, even the extensive optical testing carried out for *Planck* [64] would be significantly inadequate for *CORE* which requires RF calibration to be more accurate by an order of magnitude. The *CORE* optical ground testing will include a highly representative focal plane system, comparable with the final flight model, and multiple in-band pattern measurements.

## 7.2 In-flight calibration

Following the *Planck* strategy, photometric and relative calibration will be based on the solar and orbital dipoles as primary calibrators and cross-checked on planets. Using orbital modulation *Planck* has reached absolute calibration at few  $\times 10^{-4}$  level, which can be exploited by *CORE* in its first phase of data analysis. However, *CORE* will be able to far improve over long time intervals by at least one order of magnitude. The *Planck* experience has shown the extreme importance of direct monitoring of the instruments (subsystem temperatures, electrical bias parameters, thermal stability, cooler performance) and regular processing of the time-ordered data. Indeed, the cross-correlation between monitored parameters and data processing have proved essential for improving systematic effect removal algorithms. Similarly, noise characteristics will be regularly measured in terms of power spectrum,  $1/f$  and other non-gaussian components. Noise characteristics will be affected by cosmic rays, that show up as glitches in the data. We will exploit the considerable experience, gained in *Planck*, of measurements of the time evolution and amplitude of glitch signatures. Detector time response and main beam characterization will be simultaneously performed on planets as they are strongly degenerate. This high level of accuracy will make use of multiple crossing observations (multiple scanning directions and angles) of various planets to achieve a high signal-to-noise well outside the main beam. As *CORE* will map about half sky with all of its detector every 4 days, planets will be scanned repeatedly over the full duration of the mission, allowing very precise sampling of the beams and continuous cross-check of the gain stability. These observations will be also used to measure instrumental polarization and scanning strategy-induced systematic effects (in-scan and cross-scan differences). Polarization efficiency and polarization angles can be measured on well-known polarized astronomical sources, such as the Crab Nebula. *CORE* may benefit from future, high-precision, dedicated ground observation campaigns of these polarized calibration sources.

## 8 Downscoping Options

The instrument configuration described above is robust enough to allow for downscoping, would cost/programmable issues require it. The downscoping strategy would be to aim at maintaining extreme CMB polarization sensitivity and accuracy, while reducing the performance for measurements of: the polarized interstellar medium of our galaxy and the study of the galactic magnetic field; Cosmology with galaxy clusters; Extragalactic sources and cosmic infrared background. In practice, a *MiniCORE* mission would be aimed at:

- Constraining inflationary B-modes at the level required to reach  $\sigma(r) = 0.001$  with *MiniCORE* alone, and  $\sigma(r) = 0.0003$  in combination with future ground-based measurements;
- Observing dark matter structures by measuring lensing B-modes at  $S/N > 3$  per individual mode, with angular resolution  $\lesssim 3'$ , in combination with future ground-based measurements;
- Measuring polarisation E-modes with cosmic-variance dominated errors over  $> 30\%$  of the sky, in combination with future ground-based observatories.

The reduction of the requirement on  $\sigma(r)$  by a factor of 3 (*MiniCORE* alone vs *CORE* alone) translates in a reduction of the requirement on the sensitivity by a factor of  $\sqrt{3}$ , or  $\Delta P = 3 \mu\text{K}\cdot\text{arcmin}$  (similar to LiteCORE-80 in the companion papers of this series). As foreground emission dominates over lensing B-modes for  $\ell < 1000$ , we require the CMB to be mapped from space up to  $\ell = 1000$ , i.e. with an angular resolution of about 12 arcmin FWHM. To reach its goals in combination with future ground-based observatories, *MiniCORE* should provide the capability to monitor high-frequency foreground emission at a level compatible with  $\sigma(r) = 0.0003$ .

The first change with respect to *CORE* is the reduction of the diameter of the telescope aperture to 80 cm. This results in a number of savings, as detailed below. The second important change is the reduction of the number of detectors and the removal of all channels with frequency below 100 GHz (15 frequency bands in place of 19). This will require teaming with ground-based surveys, which are possible and effective at low frequency. Angular scales to a few arcmin will be mapped from the ground with several-meters-aperture telescopes, up to 150 GHz: *MiniCORE* will add the essential coverage of the same angular scales at frequencies up to 600 GHz, where polarized dust emission becomes very strong. The proposed frequency channels of *MiniCORE* are outlined in Table 11. The aggregated CMB polarisation sensitivity is  $3.2 \mu\text{K}\cdot\text{arcmin}$  for a temperature of 85 K of the telescope and its surroundings.

Channel GHz	Beam arcmin	$N_{\text{det}}$	$\Delta P$ $\mu\text{K}\cdot\text{arcmin}$	$\Delta I$ $\mu\text{K}_{\text{RJ}}\cdot\text{arcmin}$
100	16.9	40	11.8	2
115	14.8	40	11.7	2.41
130	13.2	40	11.7	2.82
145	11.9	90	7.9	2.16
160	10.8	90	8.1	2.43
175	10.0	90	8.5	2.71
195	9.0	90	9.2	3.07
220	8.0	90	10.4	3.55
255	7.0	90	13.1	4.29
295	6.1	40	27.6	7.91
340	5.3	40	43.9	9.98
390	4.6	40	79	12.85
450	4.0	40	171	17.11
520	3.5	40	445.8	23.18
600	3.0	40	1397.1	31.47

**Table 11:** Proposed *MiniCORE* frequency channels. The sensitivity is calculated assuming  $\Delta\nu/\nu = 30\%$  bandwidth, 60% optical efficiency, total noise of twice the expected photon noise from the sky and the optics of the instrument at 85 K. This configuration has 900 detectors.

Assuming a filling factor of 70%, the focal plane radius is 15.6 cm instead of 25 cm. The area and mass of the sub-Kelvin focal plane are reduced by a factor 2.5, with 900 detectors in place of 2100. The *MiniCORE* payload is passively cooled to 85 K instead of 40 K. This can be achieved with only two V-groove plates instead of three, or with MLI insulation between the SVM and the PLM. The mass of the telescope is reduced from  $\sim 100$  kg to  $\sim 40$  kg. The mass of the optical bench from  $\sim 50$  kg to  $\sim 20$  kg; the mass of the telescope structure from  $\sim 20$  kg to  $\sim 5$  kg. The total mass of the payload reduces from  $\sim 200$  kg to  $\sim 80$  kg. The combination of reduced number of detectors and reduced angular resolution results in reduced sampling requirements, reducing the continuous data rate from 1.15 Mbit/s to 330 kbit/s. The size and mass reduction of the payload allows for the use of only one pulse-tube instead of two; moreover with 900 detectors instead of 2100 the readout electronics is also reduced, so that the on-board power required is reduced from  $\sim 2100$  W to  $\sim 1500$  W.

All these changes result in a very significant reduction of the cost of the instrument and of the mission, maintaining basically untouched its main scientific goals, provided that ground-based observatories can indeed meet their ambitious objectives and complement the space mission observations, in particular with noise-dominated small scale CMB maps over a large fraction of sky.

## 9 Conclusions

We have described a space-borne polarimeter optimized for a medium-size space mission within the Cosmic Vision Programme of the European Space Agency. The instrument uses the legacy of the successful Planck mission, and the most recent advances in the technology of panoramic detectors for mm-waves. The Technology Readiness Level (TRL) for the different parts of the instrument is summarized in Table 12, and is perfectly compatible with the requirements for the M5 call of ESA. With its wide frequency coverage (60-600 GHz), and large throughput this instrument will map CMB polarization with unprecedented sensitivity and accuracy. The outstanding scientific performance of *CORE* is thoroughly discussed in companion papers of this series ([1], [2], [3], [5]).

## 10 Acknowledgements

PdB acknowledges support from University of Rome La Sapienza (project ‘‘Cosmologia di Precisione 2015’’) and from the Italian Space Agency (Agreement 2016-019-H.0 ‘‘Kinetic Inductance Detectors for Space’’). CJM is supported by an FCT Research Professorship, contract reference IF/00064/2012, funded by FCT/MCTES (Portugal) and POPH/FSE (EC). C.H.-M. acknowledges the financial support of the Spanish Ministry of Economy and Competitiveness via I+D project AYA-2015-66211-C2-2-P. GDZ acknowledges the financial support of ASI/INAF agreement n. 2014-024-R.1. J.G.N. acknowledges financial support from the Spanish MINECO for a ‘‘Ramon y Cajal’’ fellowship (RYC-2013-13256) and the I+D 2015 project AYA2015-65887-P (MINECO/FEDER). F.J.C., E.M.-G. and P.V. acknowledge support from the Spanish Ministerio de Economía y Competitividad project ESP2015-70646-C2-1-R co-financed with EU FEDER funds.

## References

- [1] CORE Collaboration, F. Finelli, M. Bucher, A. Achúcarro, M. Ballardini, N. Bartolo et al., *Exploring Cosmic Origins with CORE: Inflation, ArXiv e-prints* (Dec., 2016) , [[1612.08270](#)].

Component	Current TRL	Heritage	TRL @ end of phase-A
telescope frame	9	Planck + Herschel heritage	9
telescope mirrors	9	SiC, D<1.2m, Herschel heritage	9
thermal filters	4	used in current suborbital CMB exp.	6
plastic-embedded metal-mesh flat lenses	4	demonstrated in the lab	6
plastic-embedded metal-grid polarizers	4	used in current balloon CMB exp.	6
band-defining filters	9	Planck HFI heritage	9
waveguides	9	Planck HFI heritage	9
KIDs ( $\nu < 110$ GHz)	3-4	demonstrated in the lab	6
KIDs ( $\nu > 110$ GHz)	5	used at mm-wave telescopes (IRAM / APEX)	6
cryogenic LNA	9	Herschel-HIFI heritage	9
readout electronics	5	used at the telescope with space qualified components	6
CCDR	3-4		6
1.7 K JT cooler	4		6
4 K JT cooler	4		6

**Table 12:** TRLs for the scientific instrument and main SVM systems

- [2] E. Di Valentino, T. Brinckmann, M. Gerbino, V. Poulin, F. R. Bouchet, J. Lesgourgues et al., *Exploring Cosmic Origins with CORE: Cosmological Parameters*, *ArXiv e-prints* (Nov., 2016) , [[1612.00021](#)].
- [3] J.-B. Melin, A. Bonaldi, M. Remazeilles, S. Hagstotz, J. M. Diego, C. Hernández-Monteagudo et al., *Exploring Cosmic Origins with CORE: Cluster Science*, *ArXiv e-prints* (Mar., 2017) , [[1703.10456](#)].
- [4] J. Delabrouille, M. Betoule, J. B. Melin, M. A. Miville-Deschênes, J. Gonzalez-Nuevo, M. Le Jeune et al., *The pre-launch planck sky model: a model of sky emission at submillimetre to centimetre wavelengths*, *A&A* **553** (2013) A96.
- [5] J. Delabrouille et al., *Exploring cosmic origins with CORE: Survey requirements and mission design, to be submitted* (2017) .
- [6] The CORE Collaboration, C. Armitage-Caplan, M. Avillez, D. Barbosa, A. Banday, N. Bartolo et al., *CORE (Cosmic Origins Explorer) A White Paper*, *ArXiv e-prints* (Feb., 2011) , [[1102.2181](#)].
- [7] PRISM Collaboration, P. Andre, C. Baccigalupi, D. Barbosa, J. Bartlett, N. Bartolo et al., *PRISM (Polarized Radiation Imaging and Spectroscopy Mission): A White Paper on the Ultimate Polarimetric Spectro-Imaging of the Microwave and Far-Infrared Sky*, *ArXiv e-prints* (June, 2013) , [[1306.2259](#)].
- [8] J. Bock, A. Aljabri, A. Amblard, D. Baumann, M. Betoule, T. Chui et al., *Study of the Experimental Probe of Inflationary Cosmology (EPIC)-Intermediate Mission for NASA's Einstein Inflation Probe*, *ArXiv e-prints* (June, 2009) , [[0906.1188](#)].
- [9] A. Kogut, D. J. Fixsen, D. T. Chuss, J. Dotson, E. Dwek, M. Halpern et al., *The Primordial Inflation Explorer (PIXIE): a nulling polarimeter for cosmic microwave background observations*, *Journal of Cosmology and Astroparticle Physics* **7** (July, 2011) 025, [[1105.2044](#)].
- [10] M. Hazumi, J. Borrill, Y. Chinone, M. A. Dobbs, H. Fuke, A. Ghribi et al., *LiteBIRD: a small satellite for the study of B-mode polarization and inflation from cosmic background radiation detection*, in *Space Telescopes and Instrumentation 2012: Optical, Infrared, and Millimeter Wave*, vol. 8442 of *Proceedings of the SPIE*, p. 844219, Sept., 2012. [DOI](#).

- [11] K. N. Abazajian, P. Adshead, Z. Ahmed, S. W. Allen, D. Alonso, K. S. Arnold et al., *CMB-S4 Science Book, First Edition, ArXiv e-prints* (Oct., 2016) , [[1610.02743](#)].
- [12] K. M. Smith, D. Hanson, M. LoVerde, C. M. Hirata and O. Zahn, *Delensing CMB polarization with external datasets*, *Journal of Cosmology and Astroparticle Physics* **6** (June, 2012) [014](#), [[1010.0048](#)].
- [13] S. Hanany, M. D. Niemack and L. Page, *CMB Telescopes and Optical Systems*, p. 431. Springer, 2013. 10.1007/978-94-007-5621-2\_10.
- [14] H. Tran, A. Lee, S. Hanany, M. Milligan and T. Renbarger, *Comparison of the crossed and the gregorian mizuguchi-dragone for wide-field millimeter-wave astronomy*, *Appl. Opt.* **47** (Jan, 2008) [103–109](#).
- [15] C. Dragone, *Offset multireflector antennas with perfect pattern symmetry and polarization discrimination*, *AT T Technical Journal* **57** (Sept., 1978) [2663–2684](#).
- [16] C. Granet, *Designing classical offset Cassegrain or Gregorian dual-reflector antennas from combinations of prescribed geometric parameters*, *IEEE Antennas and Propagation Magazine* **44** (June, 2002) [114–123](#).
- [17] M. A. Ordal, L. L. Long, R. J. Bell, S. E. Bell, R. R. Bell, R. W. Alexander et al., *Optical properties of the metals Al, Co, Cu, Au, Fe, Pb, Ni, Pd, Pt, Ag, Ti, and W in the infrared and far infrared*, *Appl. Opt.* **22** (Apr, 1983) [1099–1119](#).
- [18] R. Datta, C. D. Munson, M. D. Niemack, J. J. McMahon, J. Britton, E. J. Wollack et al., *Large-aperture wide-bandwidth antireflection-coated silicon lenses for millimeter wavelengths*, *Applied Optics* **52** (Dec., 2013) [8747](#).
- [19] T. Matsumura, K. Young, Q. Wen, S. Hanany, H. Ishino, Y. Inoue et al., *Millimeter-wave broadband antireflection coatings using laser ablation of subwavelength structures*, *Applied Optics* **55** (May, 2016) [3502](#).
- [20] O. Jeong, A. Lee, C. Raum and A. Suzuki, *Broadband Plasma-Sprayed Anti-reflection Coating for Millimeter-Wave Astrophysics Experiments*, *Journal of Low Temperature Physics* **184** (Aug., 2016) [621–626](#).
- [21] The QUIET Collaboration, *The Q/U Imaging Experiment Instrument*, *The Astrophysical Journal* **768** (2013) [9](#).
- [22] T. Essinger-Hileman, J. W. Appel, J. A. Beall, H. M. Cho, J. Fowler, M. Halpern et al., *The Atacama B-Mode Search: CMB Polarimetry with Transition-Edge-Sensor Bolometers*, *ArXiv e-prints* (Aug., 2010) .
- [23] T. Matsumura, Y. Akiba, J. Borrill, Y. Chinone, M. Dobbs, H. Fuke et al., *Mission Design of LiteBIRD*, *Journal of Low Temperature Physics* **176** (Sept., 2014) [733–740](#).
- [24] M. D. Niemack, *Designs for a large-aperture telescope to map the CMB 10× faster*, *Appl. Opt.* **55** (Mar., 2016) [1686](#).
- [25] C. Granet, *Designing classical Dragonian offset dual-reflector antennas from combinations of prescribed geometric parameters*, *IEEE Antennas and Propagation Magazine* **43** (Dec., 2001) [100–107](#).
- [26] G. Pisano, B. Maffei, P. A. R. Ade, P. de Bernardis, P. de Maagt, B. Ellison et al., *Multi-Octave Metamaterial Reflective Half-Wave Plate for Millimetre and Sub-Millimetre Wave Applications*, *Applied Optics* **55** (2016) [10255–10262](#).
- [27] G. Pisano, B. Maffei, M. W. Ng, V. Haynes, M. Brown, F. Noviello et al., *Development of large radii half-wave plates for CMB satellite missions*, in *Millimeter, Submillimeter, and Far-Infrared Detectors and Instrumentation for Astronomy VII*, vol. 9153 of *Proceedings of the SPIE*, July, 2014. [DOI](#).



- [28] M. Salatino, P. de Bernardis and S. Masi, *A cryogenic waveplate rotator for polarimetry at mm and submm wavelengths*, *Astronomy & Astrophysics* **528** (Apr., 2011) .
- [29] J.-P. Bernard, P. Ade, Y. André, J. Aumont, L. Bautista, N. Bray et al., *PILOT: a balloon-borne experiment to measure the polarized FIR emission of dust grains in the interstellar medium*, *Experimental Astronomy* **42** (Oct., 2016) 199–227.
- [30] S. Bryan, P. Ade, M. Amiri, S. Benton, R. Bihary, J. Bock et al., *A cryogenic rotation stage with a large clear aperture for the half-wave plates in the Spider instrument*, *Review of Scientific Instruments* **87** (Jan., 2016) .
- [31] J. Klein, A. Aboobaker, P. Ade, F. Aubin, C. Baccigalupi, C. Bao et al., *A cryogenic half-wave plate polarimeter using a superconducting magnetic bearing*, in *Cryogenic Optical Systems and Instruments XIII*, vol. 8150 of *Proceedings of the SPIE*, p. 815004, Oct., 2011. DOI.
- [32] S. Bryan, P. Ade, M. Amiri, S. Benton, R. Bihary, J. Bock et al., *A cryogenic rotation stage with a large clear aperture for the half-wave plates in the Spider instrument*, *Review of Scientific Instruments* **87** (Jan., 2016) 014501, [1510.01771].
- [33] H. Ishino, Y. Akiba, K. Arnold, D. Barron, J. Borrill, R. Chendra et al., *LiteBIRD: lite satellite for the study of B-mode polarization and inflation from cosmic microwave background radiation detection*, in *Society of Photo-Optical Instrumentation Engineers (SPIE) Conference Series*, vol. 9904 of *Proceedings of the SPIE*, p. 99040X, July, 2016. DOI.
- [34] P. F. Goldsmith, *Quasioptical Systems: Gaussian Beam Quasioptical Propagation and Applications*. Wiley-IEEE Press, New York, 1998.
- [35] G. Pisano, M. W. Ng, F. Ozturk, B. Maffei and V. Haynes, *Dielectrically embedded flat mesh lens for millimeter waves applications*, *Appl. Opt.* **52** (Apr, 2013) 2218–2225.
- [36] G. de Lange, J.-M. Krieg, N. Honingh, A. Karpov and S. Cherednichenko, *Performance of the HIFI Flight Mixers*, in *Nineteenth International Symposium on Space Terahertz Technology* (W. Wild, ed.), p. 98, Apr., 2008.
- [37] A. Monfardini, L. J. Swenson, A. Bideaud, F. X. Désert, S. J. C. Yates, A. Benoit et al., *NIKA: A millimeter-wave kinetic inductance camera*, *Astronomy and Astrophysics* **521** (2010) A29.
- [38] A. Catalano, M. Calvo, N. Ponthieu, R. Adam, A. Adane, P. Ade et al., *Performance and calibration of the NIKA camera at the IRAM 30 m telescope*, *Astronomy and Astrophysics* **569** (2014) A9.
- [39] M. Calvo, A. Benoît, A. Catalano, J. Goupy, A. Monfardini, N. Ponthieu et al., *The NIKA2 Instrument, A Dual-Band Kilopixel KID Array for Millimetric Astronomy*, *Journal of Low Temperature Physics* **184** (Aug., 2016) 816–823, [1601.02774].
- [40] A. Catalano, R. Adam, P. Ade, P. André, H. Aussel, A. Beelen et al., *The NIKA2 commissioning campaign: performance and first results*, *ArXiv e-prints* (May, 2016) , [1605.08628].
- [41] R. M. J. Janssen, J. Baselmans, A. Endo, L. Ferrari, S. J. C. Yates, A. M. Baryshev et al., *High optical efficiency and photon noise limited sensitivity of microwave kinetic inductance detectors using phase readout*, *Applied Physics Letters* **103** (2013) 203503.
- [42] P. D. Mauskopf, S. Doyle, P. Barry, S. Rowe, A. Bidead, P. A. R. Ade et al., *Photon-Noise Limited Performance in Aluminum LEKIDs*, *Journal of Low Temperature Physics* **176** (2014) 545.
- [43] A. Monfardini, J. Baselmans, A. Benoit, A. Bideaud, O. Bourrion, A. Catalano et al., *Lumped element kinetic inductance detectors for space applications*, in *Proc. SPIE*, vol. 9914, pp. 99140N–99140N–8, 2016. DOI.
- [44] K. D. Usadel, *Generalized Diffusion Equation for Superconducting Alloys*, *Physical Review Letters* **25** (1970) 507.

- [45] A. Catalano, J. Goupy, H. le Sueur, A. Benoit, O. Bourrion, M. Calvo et al., *Bi-layer kinetic inductance detectors for space observations between 80–120 GHz*, *Astronomy and Astrophysics* **580** (2015) A15.
- [46] A. Catalano, A. Benoit, O. Bourrion, M. Calvo, G. Coiffard, A. D’Addabbo et al., *Maturity of lumped element kinetic inductance detectors for space-borne instruments in the range between 80 and 180 GHz*, *Astronomy and Astrophysics* **592** (2016) A26.
- [47] A. Paiella, A. Coppolecchia, M. G. Castellano, I. Colantoni, A. Cruciani, A. D’Addabbo et al., *Development of lumped element kinetic inductance detectors for the w-band*, *Journal of Low Temperature Physics* **184** (2016) 97–102.
- [48] H. McCarrick, M. H. Abitbol, P. A. R. Ade, P. Barry, S. Bryan, G. Che et al., *Development of dual-polarization leaky-wave antennas for cmb observations*, vol. 9914, pp. 991400–991400–7, 2016. DOI.
- [49] J. Goupy, A. Adane, A. Benoit, O. Bourrion, M. Calvo, A. Catalano et al., *Microfabrication Technology for Large Leaky-Wave Arrays: From Nika2 to Future Applications*, *Journal of Low Temperature Physics* **184** (2016) 661.
- [50] M. Roesch, A. Benoit, A. Bideaud, N. Boudou, M. Calvo, A. Cruciani et al., *Development of Lumped Element Kinetic Inductance Detectors for NIKA*, *ArXiv e-prints* (2012) , [1212.4585].
- [51] R. M. J. Janssen, J. J. A. Baselmans, A. Endo, L. Ferrari, S. J. C. Yates, A. M. Baryshev et al., *High optical efficiency and photon noise limited sensitivity of microwave kinetic inductance detectors using phase readout*, *Applied Physics Letters* **103** (Nov., 2013) 203503, [1311.2429].
- [52] J. J. A. Baselmans, J. Bueno, S. J. C. Yates, O. Yurduseven, N. Llombart, K. Karatsu et al., *A kilo-pixel imaging system for future space based far-infrared observatories using microwave kinetic inductance detectors*, *ArXiv e-prints* (Sept., 2016) , [1609.01952].
- [53] I. López-Fernández, C. Diez, J. D. Gallego and A. Barcia, *Wide Band Cryogenic IF Amplifiers for ALMA and Herschel Receivers*, in *Fourteenth International Symposium on Space Terahertz Technology* (C. Walker and J. Payne, eds.), pp. 502–504, Apr., 2003.
- [54] O. Bourrion, A. Benoit, J. L. Bouly, J. Bouvier, G. Bosson, M. Calvo et al., *NIKEL\_AMC: Readout electronics for the NIKA2 experiment*, *ArXiv e-prints* (Feb., 2016) , [1602.01288].
- [55] J. van Rantwijk, M. Grim, D. van Loon, S. Yates, A. Baryshev and J. Baselmans, *Multiplexed Readout for 1000-Pixel Arrays of Microwave Kinetic Inductance Detectors*, *IEEE Transactions on Microwave Theory Techniques* **64** (June, 2016) 1876–1883, [1507.04151].
- [56] I. López-Fernández, C. Diez, J. D. Gallego and A. Barcia, *Wide Band Cryogenic IF Amplifiers for ALMA and Herschel Receivers*, in *Fourteenth International Symposium on Space Terahertz Technology* (C. Walker and J. Payne, eds.), pp. 502–504, Apr., 2003.
- [57] Planck Collaboration, P. A. R. Ade, N. Aghanim, M. Arnaud, M. Ashdown, J. Aumont et al., *Planck Early Results. II. The thermal performance of Planck*, *Astronomy and Astrophysics* **536** (2011) A2.
- [58] B. Collaudin, “Tas study for core-m5 proposal: Core-m5-passive-cooling\_v3.”
- [59] H. Sugita, T. Nakagawa, H. Murakami, A. Okamoto and H. Nagai, *Cryogenic infrared mission JAXA/SPICA with advanced cryocoolers*, *Cryogenics* **46** (2006) 149.
- [60] Tocheck, *Engineering Model of a high power low temperature Pulse Tube Cryocooler for Space application*, in *Proceedings of the ICC 2016 Conference*, 2016.
- [61] RAL, “Ral study for the core-m5 proposal : Ral-jt-inputs-v1.”
- [62] Planck Collaboration, N. Aghanim, C. Armitage-Caplan, M. Arnaud, M. Ashdown, F. Atrio-Barandela et al., *Planck 2013 results. III. LFI systematic uncertainties*, *Astronomy & Astrophysics* **571** (Nov., 2014) A3, [1303.5064].

- [63] F. Pajot, P. A. R. Ade, J.-L. Beney, E. Bréelle, D. Broszkiewicz, P. Camus et al., *Planck pre-launch status: HFI ground calibration*, *Astronomy & Astrophysics* **520** (Sept., 2010) A10.
- [64] J. A. Tauber, H. U. Norgaard-Nielsen, P. A. R. Ade, J. Amiri Parian, T. Banos, M. Bersanelli et al., *Planck pre-launch status: The optical system*, *Astronomy & Astrophysics* **520** (Sept., 2010) A2.