



US007445926B2

(12) **United States Patent**
Mathies et al.

(10) **Patent No.:** **US 7,445,926 B2**
(45) **Date of Patent:** **Nov. 4, 2008**

(54) **FLUID CONTROL STRUCTURES IN MICROFLUIDIC DEVICES**

6,073,482	A *	6/2000	Moles	73/53.01
6,379,929	B1	4/2002	Burns et al.	
6,408,878	B2	6/2002	Unger et al.	
6,521,188	B1	2/2003	Webster	
6,605,454	B2	8/2003	Barenburg et al.	
6,623,613	B1	9/2003	Mathies et al.	
D486,156	S	2/2004	Lee et al.	

(75) Inventors: **Richard A. Mathies**, Moraga, CA (US);
William H. Grover, Berkeley, CA (US);
Alison Skelley, Berkeley, CA (US); **Eric Lagally**, Oakland, CA (US); **Chung N. Liu**, Albany, CA (US)

(73) Assignee: **The Regents of the University of California**, Oakland, CA (US)

(Continued)

(*) Notice: Subject to any disclaimer, the term of this patent is extended or adjusted under 35 U.S.C. 154(b) by 643 days.

FOREIGN PATENT DOCUMENTS

EP 0527905 11/1995

(21) Appl. No.: **10/750,533**

(22) Filed: **Dec. 29, 2003**

(Continued)

(65) **Prior Publication Data**

US 2004/0209354 A1 Oct. 21, 2004

Related U.S. Application Data

(60) Provisional application No. 60/475,013, filed on May 30, 2003, provisional application No. 60/437,262, filed on Dec. 30, 2002.

OTHER PUBLICATIONS

Grover et al. 'Practical Valves and Pumps for Large-Scale Integration into Microfluidic Analysis Devices.' *Micro Total Analysis Systems* (Nov. 2002), 2 pages.*

(Continued)

Primary Examiner—William H Beisner
(74) *Attorney, Agent, or Firm*—Weaver Austin Villeneuve & Sampson LLP

(51) **Int. Cl.**

C12M 1/34 (2006.01)
F15C 1/06 (2006.01)
B01L 11/00 (2006.01)

(57) **ABSTRACT**

(52) **U.S. Cl.** **435/288.5**; 435/283.1; 422/103; 422/130; 137/833; 137/863; 417/437

(58) **Field of Classification Search** 435/288.5; 251/331; 137/832, 833, 863; 417/437
See application file for complete search history.

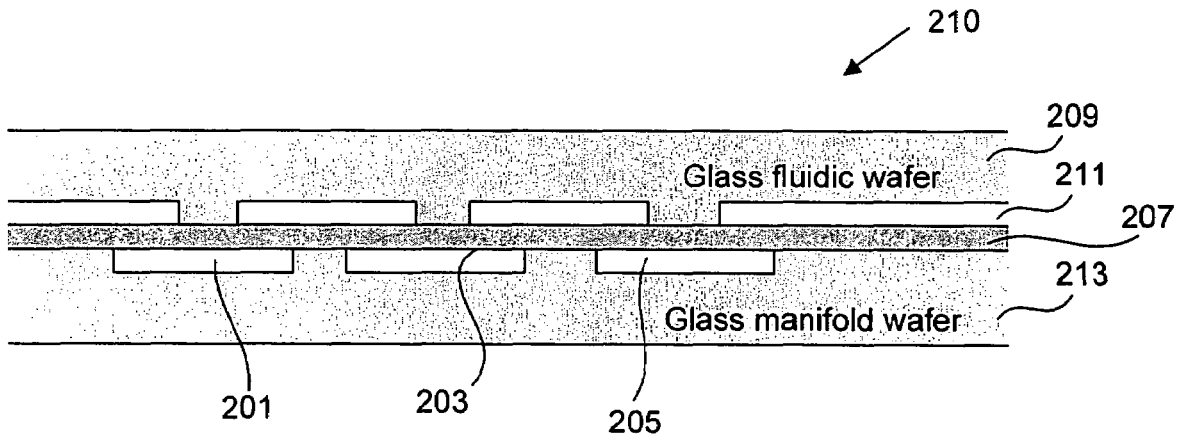
Methods and apparatus for implementing microfluidic analysis devices are provided. A monolithic elastomer membrane associated with an integrated pneumatic manifold allows the placement and actuation of a variety of fluid control structures, such as structures for pumping, isolating, mixing, routing, merging, splitting, preparing, and storing volumes of fluid. The fluid control structures can be used to implement a variety of sample introduction, preparation, processing, and storage techniques.

(56) **References Cited**

U.S. PATENT DOCUMENTS

5,376,252 A 12/1994 Ekström et al. 204/299 R
5,587,128 A 12/1996 Wilding et al.
5,856,174 A * 1/1999 Lipshutz et al. 435/286.5

18 Claims, 14 Drawing Sheets



U.S. PATENT DOCUMENTS

D488,818	S	4/2004	Lee et al.
6,752,922	B2	6/2004	Huang et al.
6,786,708	B2	9/2004	Brown et al.
6,793,753	B2	9/2004	Unger et al.
6,802,342	B2	10/2004	Fernandes et al.
6,829,753	B2	12/2004	Lee et al.
6,885,982	B2	4/2005	Harris et al.
6,899,137	B2	5/2005	Unger et al.
6,929,030	B2	8/2005	Unger et al.
6,951,632	B2	10/2005	Unger et al.
6,953,058	B2	10/2005	Fernandes et al.
6,960,437	B2	11/2005	Enzelberger et al.
7,005,493	B2	2/2006	Huang et al.
2002/0098097	A1	7/2002	Singh
2004/0014091	A1	1/2004	Duck et al.
2004/0053290	A1	3/2004	Terbrueggen et al.
2004/0086872	A1	5/2004	Childers et al.
2004/0151629	A1	8/2004	Pease et al.

FOREIGN PATENT DOCUMENTS

EP	1065378	4/2002
WO	WO 00/40712	7/2000
WO	WO 2000/040712	7/2000
WO	WO02/43615	6/2002

OTHER PUBLICATIONS

- D.J. Harrison, et al., Micromachining a miniaturized capillary electrophoresis-based chemical analysis system on a chip, *Science*, 261(5123): 895-897, 1993.
- C.A. Emrich, et al., Microfabricated 384-lane capillary array electrophoresis bioanalyzer for ultrahigh-throughput genetic analysis, *Analytical Chemistry*, 74(19): 5076-5083, 2002.
- E.T. Lagally, et al., Monolithic integrated microfluidic DNA amplification and capillary electrophoresis analysis system, *Sensors and Actuators B-Chemical*, 63(3): 138-146, 2000.
- B.M. Paegel, et al., Microchip bioprocessor for integrated nanovolume sample purification and DNA sequencing, *Analytical Chemistry*, 74(19): 5092-5098, 2002.
- B.M. Paegel, et al., Microfluidic devices for DNA sequencing: sample preparation and electrophoretic analysis, *Current Opinion in Biotechnology*, 14(1): 42-50, 2003.
- T. Otori, et al., Partly disposable three-way microvalve for a medical micro total analysis system (muTAS), *Sensors and Actuators A-Physical*, 64(1): 57-62, 1998.
- X. Yang, et al., A MEMS Thermopneumatic silicone rubber membrane valve, *Sensors and Actuators A-Physical*, 64(1): 101-108, 1998.
- Rolf C. Anderson, et al., A miniature integrated device for automated multistep genetic assays, *Nucleic Acids Research*, 28(12): e60, 2000.
- M.A. Unger, et al., Monolithic microfabricated valves and pumps by multilayer soft lithography, *Science*, 188(5463): 113-116, 2000.
- E.T. Lagally, et al., Fully integrated PCR-capillary electrophoresis microsystem for DNA analysis, *Lab on a Chip*, 1(2): 102-107, 2001.
- E.T. Lagally, et al., Single-molecule DNA amplification and analysis in an integrated microfluidic device, *Analytical Chemistry*, 73(3): 565-570, 2001.
- R.A. Mathies, et al., Capillary array electrophoresis bioprocessors, *Solid State Sensor, Actuator and Microsystem Workshop*, pp. 112-117, Hilton Head Island, SC, USA, 2002.
- W.H. Grover, et al., Monolithic membrane valves and diaphragm pumps for practical large-scale integration into glass microfluidic devices, *Sensors and Actuators B*, 89: 315-323, 2003.
- C.L. Hansen, et al., A robust and scalable microfluidic metering method that allows protein crystal growth by free interface diffusion, *Proceedings of the National Academy of Science*, 99(26): 16531-16536, 2002.
- Weimer, B.C., et al., Solid-phase capture of proteins, spores and bacteria, *App. Environ. Microbiology*, 67:1300-1307 (2001).
- Yu, C. et al., Towards stationary phases for chromatography on a microchip: Molded porous polymer monoliths prepared in capillaries by photoinitiated in situ polymerization as separation media for electrochromatography, *Electrophoresis*, 21:120-127 (2000).
- Yu, C., et al., Preparation of monolithic polymers with controlled porous properties for microfluidic chip applications using photoinitiated free radical polymerization, *J. Polymer Sci.*, 40:755 (2002).
- Rohr, T., et al., Simple and efficient mixers prepared by direct polymerization in the channels of microfluidic chips, *Electrophoresis*, 22:3959 (2001).
- Peterson, D.S., et al., Enzymatic Microreactor-on-a-Chip: Protein Mapping Using Trypsin Immobilized on Porous Polymer Monoliths Molded in Channels of Microfluidic Devices, *Anal. Chem.*, 74:4081-4088 (2002).
- Woolley, A.T., et al., Functional Integration of PCR Amplification and Capillary Electrophoresis in a Microfabricated DNA Analysis Device, *Anal. Chem.*, 68:4081-4086 (1996).
- U.S. Office Action Final dated Feb. 19, 2008 issued in U.S. Appl. No. 10/540,658.
- U.S. Office Action Final dated Feb. 6, 2008 issued in U.S. Appl. No. 11/139,018.
- Waller et al. Quantitative Immunocapture PCR Assay for Detection of *Campylobacter jejuni* in Foods.; Applied and Environmental Microbiology, Sep. 2000, vol. 66, No. 9, pp. 4115-4118.
- Soper, S.A., D.C. Williams, Y. Xu, S.J. Lassiter, Y. Zhang, S.M. Ford, and R.C. Bruch, *Sanger DNA sequencing reactions performed in a solid-phase nanoreactor directly coupled to capillary gel electrophoresis*. *Anal. Chem.*, 1998. 70: p. 4036-4043.
- Hultman, T., S. Bergh, T. Moks, and M. Uhlén, *Bidirectional solid-phase sequencing of in vitro-amplified plasmid DNA*, *BioTechniques*, 1991. 10: p. 84-93.
- Nakano, H., K. Kobayashi, S. Ohuchi, S. Sekiguchi, and T. Yamane, *Single-step single-molecule PCR of DNA with a homo-priming sequence using a single primer and hot-startable DNA polymerase*. *Journal of Bioscience and Bioengineering*, 2000. 90(4): p. 456-458.
- Mitra, R.D., V.L. Butty, J. Shendure, B.R. Williams, D.E. Housman, and G.M. Church, *Digital genotyping and haplotyping with polymerase colonies*. *Proceedings of the National Academy of the United States of America*, 2003. 100(10): p. 5926-5931.
- Dressman, D., H. Yan, G. Traverso, K.W. Kinzler, and B. Vogelstein, *Transforming single DNA molecules into fluorescent magnetic particles for detection and enumeration of genetic variations*. *Proceedings of the National Academy of Sciences of the United States of America*, 2003. 100(15): p. 8817-8822.
- Brenner, S., et al., *Gene expression analysis by massively parallel signature sequencing (MPSS) on microbead arrays*. *Nature Biotechnology*, 2000. 18(6): p. 630-634.
- Liu, S., Y. Shi, W.W. Ja, and R.A. Mathies, *Optimization of high-speed DNA sequencing on microfabricated capillary electrophoresis channels*. *Anal. Chem.*, 1999. 71: p. 566-573.
- Leamon, J.H., W.L. Lee, K.R. Tartaro, J.R. Lanza, G.J. Sarkis, A.D. deWinder, J. Berka, and K.L. Lohman, *A massively parallel Pico Titer Plate (TM) based platform for discrete picoliter-scale polymerase chain reactions*. *Electrophoresis*, 2003. 24: p. 3769-3777.
- Ghadessy, F.J., J.L. Ong, and P. Holliger, *Directed evolution of polymerase function by compartmentalized self-replication*. *PNAS*, 2001. 98: p. 4552-4557.
- Rye, H.S., M.A. Quesada, K. Peck, R.A. Mathies, and A.N. Glazer, *High-sensitivity two-color detection of double-stranded DNA with a confocal fluorescence gel scanner using ethidium homodimer and thiazole orange*. *Nucleic Acids Res.*, 1991. 19: p. 327-333.
- Fleming, N., J. Maynard, L. Tzitzis, J.R. Sampson, and J.P. Cheadle, *LD-PCR coupled to long-read direct sequencing: an approach for mutation detection in genes with compact genomic structures*. *Journal of Biochemical and Biophysical Methods*, 2001. 47(1-2): p. 131-136.
- Blazej, R.G., B.M. Paegel, and R.A. Mathies, *Polymorphism ratio sequencing: A new approach for single nucleotide polymorphism discovery and genotyping*. *Genome Research*, 2003. 13: p. 287-293.

- Kamei, T., B.M. Paegel, J.R. Scherer, A.M. Skelley, R.A. Street, and R.A. Mathies, *Integrated Hydrogenated Amorphous Si Photodiode Detector for Microfluidic Bioanalytical Devices*. Analytical Chemistry, 2003. 75: p. 5300-5305.
- Simpson, P.C., A.T. Woolley, and R.A. Mathies, *Microfabrication technology for the production of capillary array electrophoresis chips*. Biomedical Microdevices, 1998. 1(1): p. 7-26.
- Paegel, B.M., C.A. Emrich, G.J. Wedemayer, J.R. Scherer, and R.A. Mathies, *High-throughput DNA sequencing with a 96-Lane capillary array electrophoresis bioprocessor*. Proceedings of the National Academy of Science, U.S.A., 2002. 99: p. 574-579.
- Albarghouthi, M.N., B.A. Buchholz, P.J. Huiberts, T.M. Stein, and A.E. Barron, *Poly-N-hydroxyethylacrylamide (polyDuramide): A novel hydrophilic self-coating polymer matrix for DNA sequencing by capillary electrophoresis*. Electrophoresis, 2002. 23: p. 1429-1440.
- Kan, C.W., E.A.S. Doherty, and A.E. Barron, *A novel thermogelling matrix for microchannel DNA sequencing based on poly-N-alkoxyalkylacrylamide copolymers*. Electrophoresis, 2003. 24(24): p. 4161-4169.
- Doherty, E.A.S., C.W. Kan, and A.E. Barron, *Sparsely cross-linked "nanogels" for microchannel DNA sequencing*. Electrophoresis, 2003. 24(24): p. 4170-4180.
- Giddings, M.C., J. Severin, M. Westphall, J. Wu, and L.M. Smith, *A software system for data analysis in automated DNA sequencing*. Genome Research, 1998. 8: p. 644-665.
- Ewing, B., L. Hillier, M.C. Wendl, and P. Green, *Base-calling of automated sequencer traces using Phred*. Genome Research, 1998. 8: p. 175-185.
- Ewing, B. and P. Green, *Base-calling of automated sequencer traces using phred. II. Error probabilities*. Genome Research, 1998. 8: p. 186-194.
- Buchholz, B.A. and A.E. Barron, *The use of light scattering for precise characterization of polymers for DNA sequencing by capillary electrophoresis*. Electrophoresis, 2001. 22: p. 4118-4128.
- Vazquez, M. et al. Electrophoretic injection within microdevices. *Analytical Chemistry* 74, 1952-1961 (2002).
- Song, H., Tice, J. D. & Ismagilov, R. F. A microfluidic system for controlling reaction networks in time. *Angewandte Chemie-International Edition* 42, 768-772 (2003).
- Srinivasan, U., Houston, M. R., Howe, R. T. & Maboudian, R. Alkyltrichlorosilane-based self-assembled monolayer films for stiction reduction in silicon micromachines. *Journal of Microelectromechanical Systems* 7, 252-260 (1998).
- Tice, J. D., Song, H., Lyon, A. D. & Ismagilov, R. F. Formation of droplets and mixing in multiphase microfluidics at low values of the Reynolds and the capillary numbers. *Langmuir* 19, 9127-9133 (2003).
- Peter C. Simpson, et al., High-throughput genetic analysis using microfabricated 96-sample capillary array electrophoresis microplates, *Proc. Natl. Acad. Sci. USA*, vol. 95, pp. 2256-2261, Mar. 1998 Biophysics.
- Pierre J. Obeid, et al., Microfabricated Device for DNA and RNA Amplification by Continuous-Flow Polymerase Chain Reaction and Reverse Transcription-Polymerase Chain Reaction With Cycle Number Selection, *Anal. Chem.* 2003, vol. 75, No. 2, Jan. 15, 2003, pp. 288-295.
- Nokyoung Park, et al., Cylindrical Compact Thermal-Cycling Device For Continuous-Flow Polymerase Chain Reaction, *Anal. Chem.*, vol. 75, No. 21, Nov. 1, 2003, pp. 6029-6033.
- Mario Curcio, et al., Continuous Segmented-Flow Polymerase Chain Reaction for High-Throughput Miniaturized DNA Amplification, *Anal. Chem.*, vol. 75, No. 1, Jan. 1, 2003, pp. 1-7.
- Office Action mailed Jul. 2, 2007 in U.S. Appl. No. 10/540,658, filed Jun. 23, 2005.
- Office Action mailed Apr. 27, 2007 in U.S. Appl. No. 11/139,018, filed May 25, 2005.
- Thorsen et al., "Microfluidic Large-Scale Integration", *Science*, vol. 298, Oct. 18, 2002, pp. 580-584.

* cited by examiner

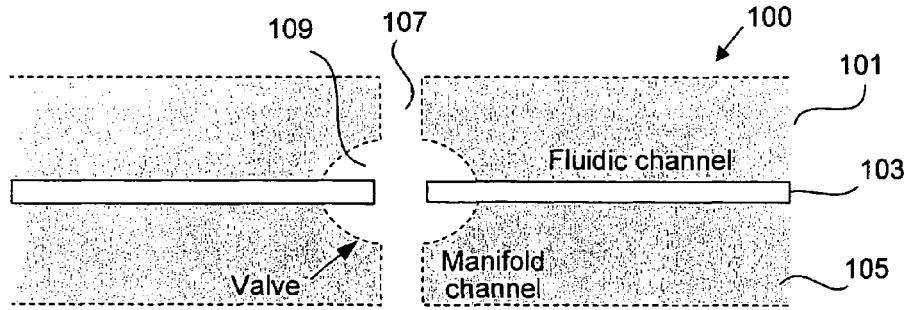


FIG. 1A

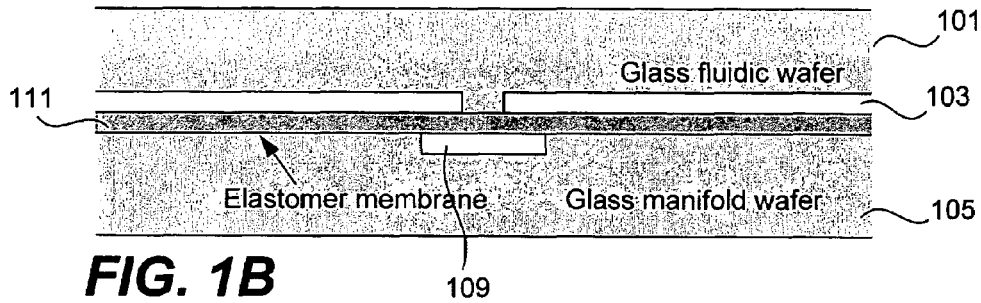


FIG. 1B

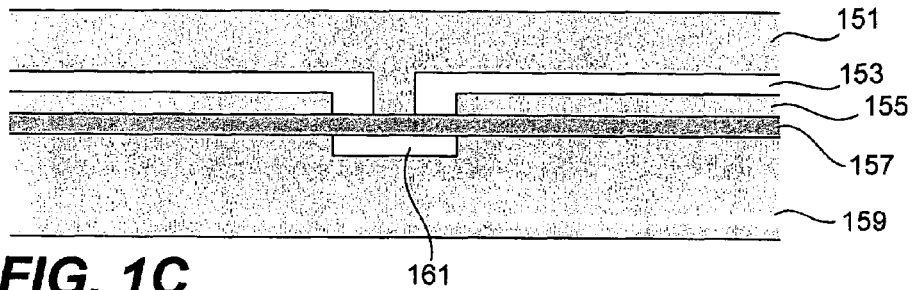


FIG. 1C

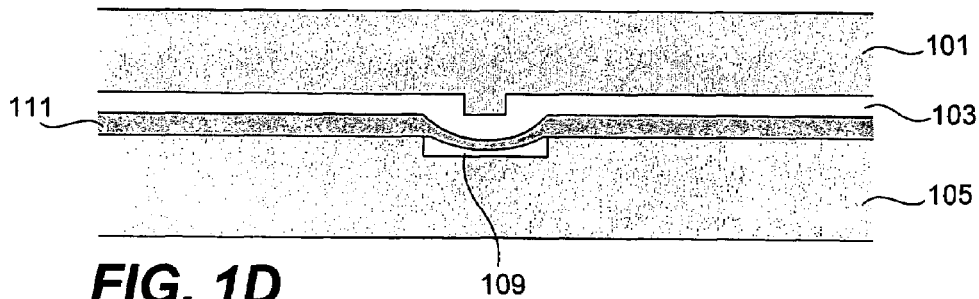


FIG. 1D

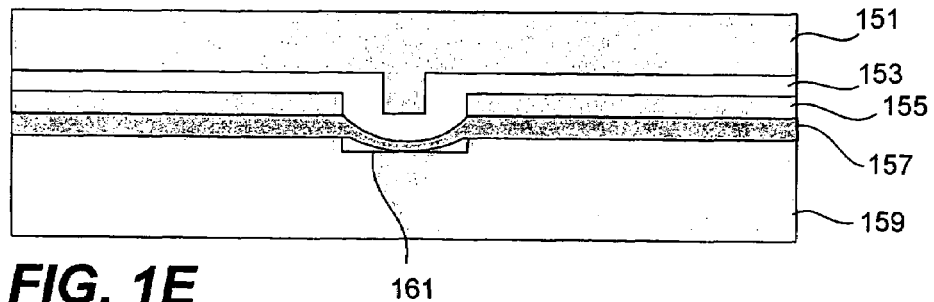


FIG. 1E

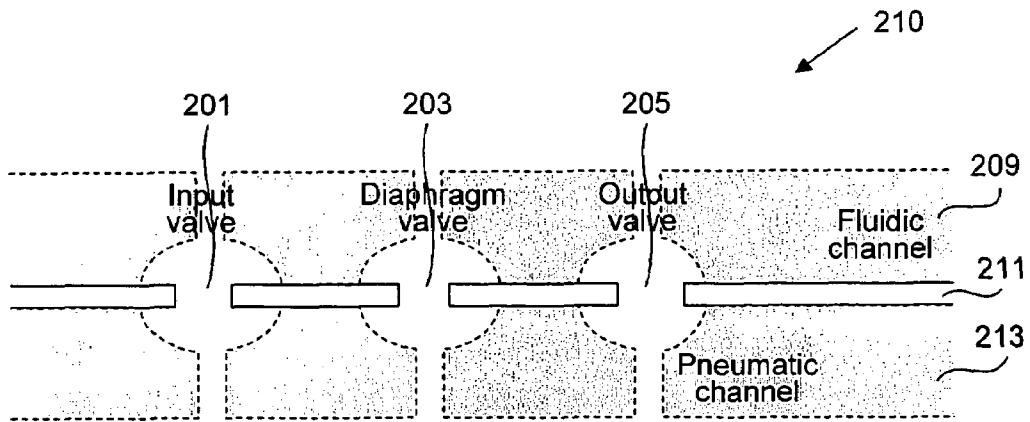


FIG. 2A

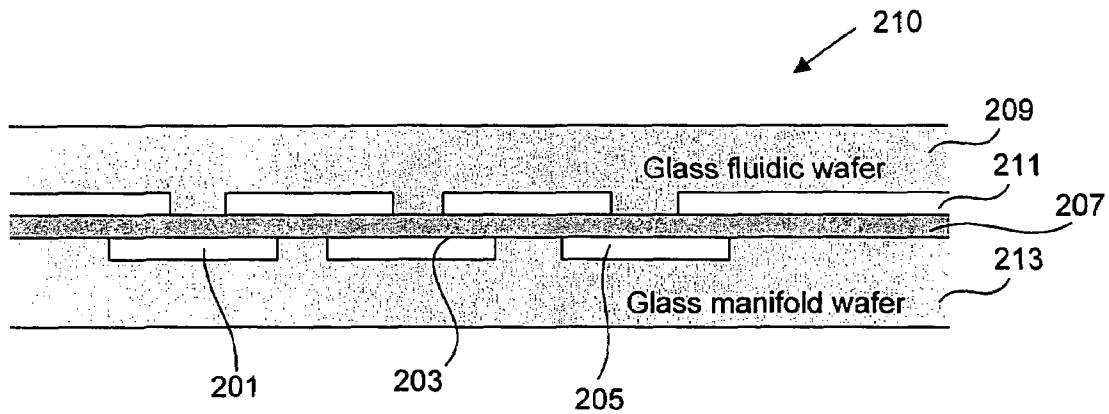


FIG. 2B

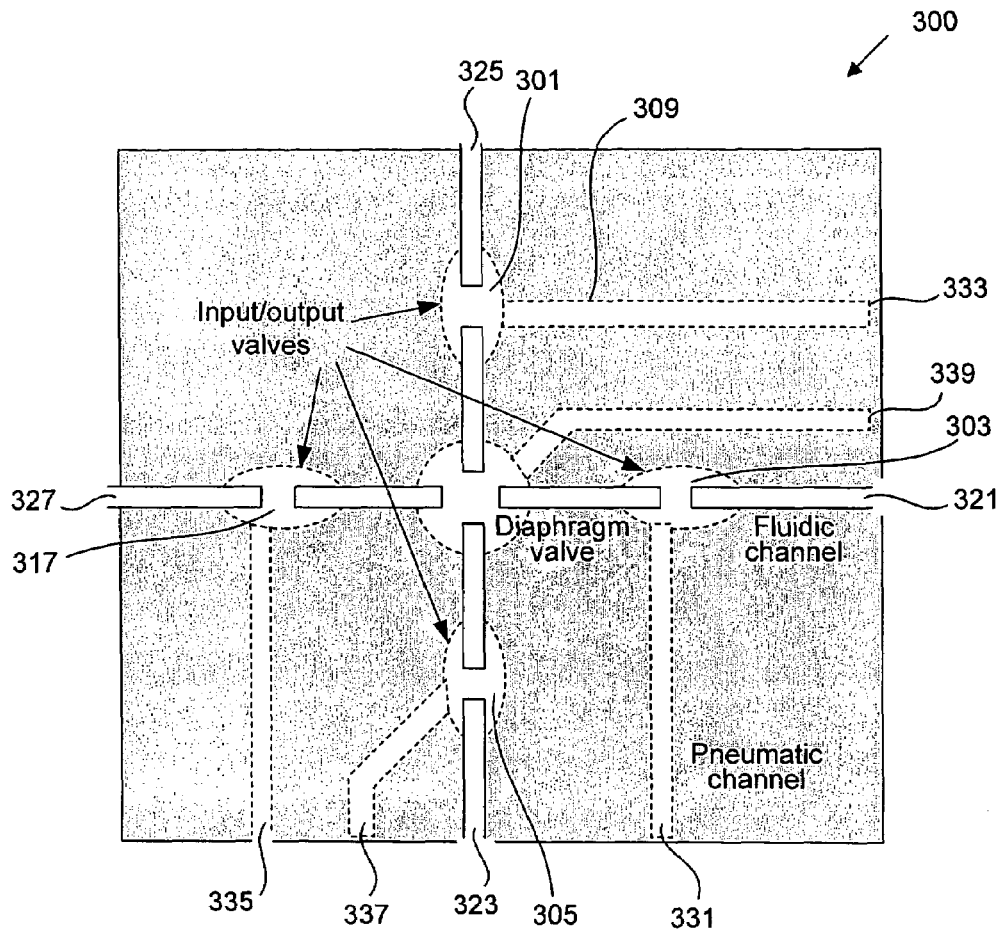


FIG. 3

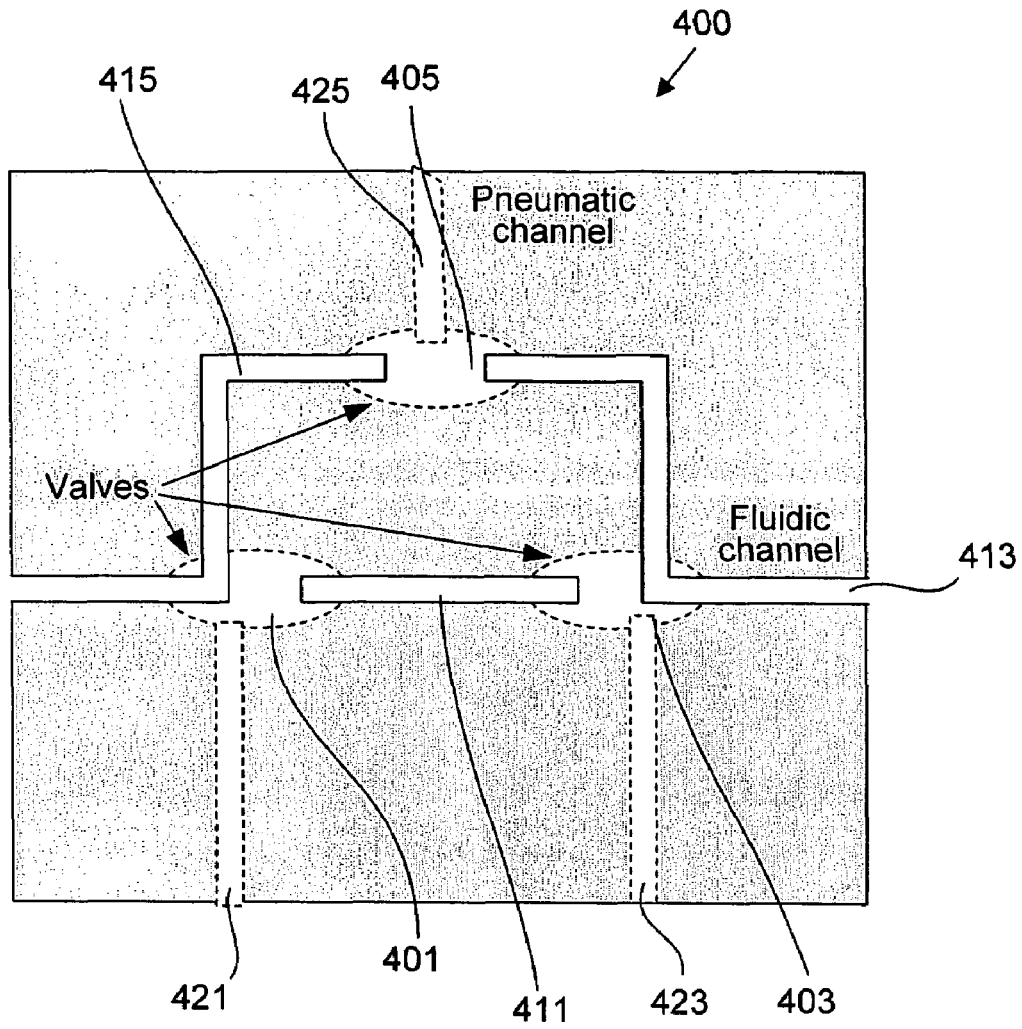


FIG. 4

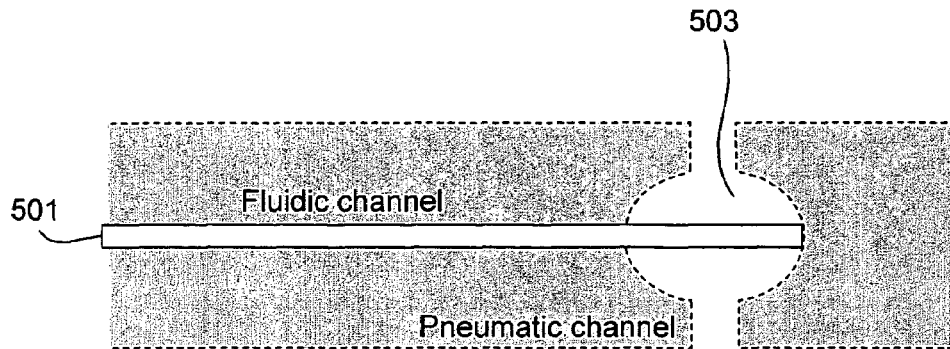


FIG. 5A

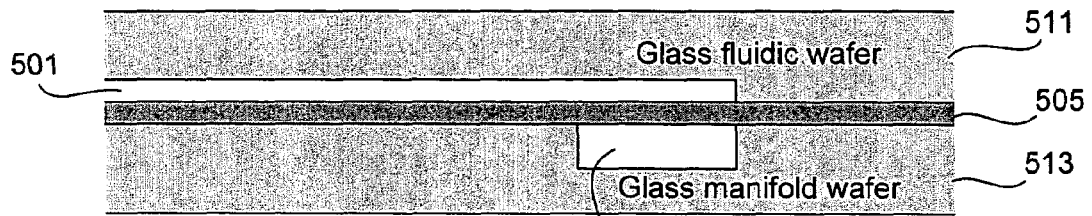


FIG. 5B

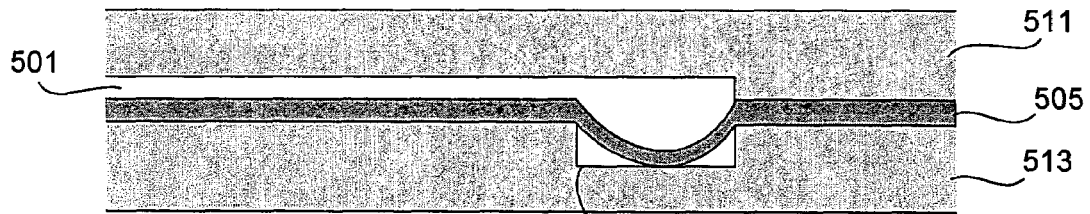


FIG. 5C

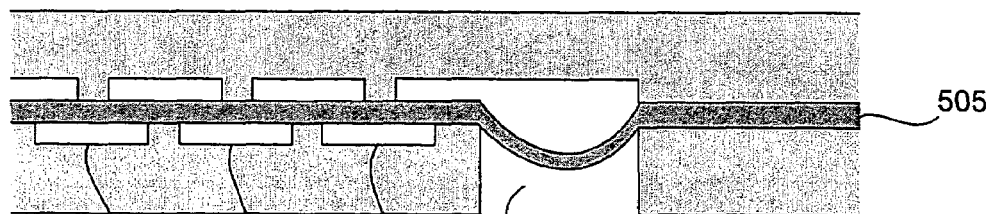


FIG. 5D

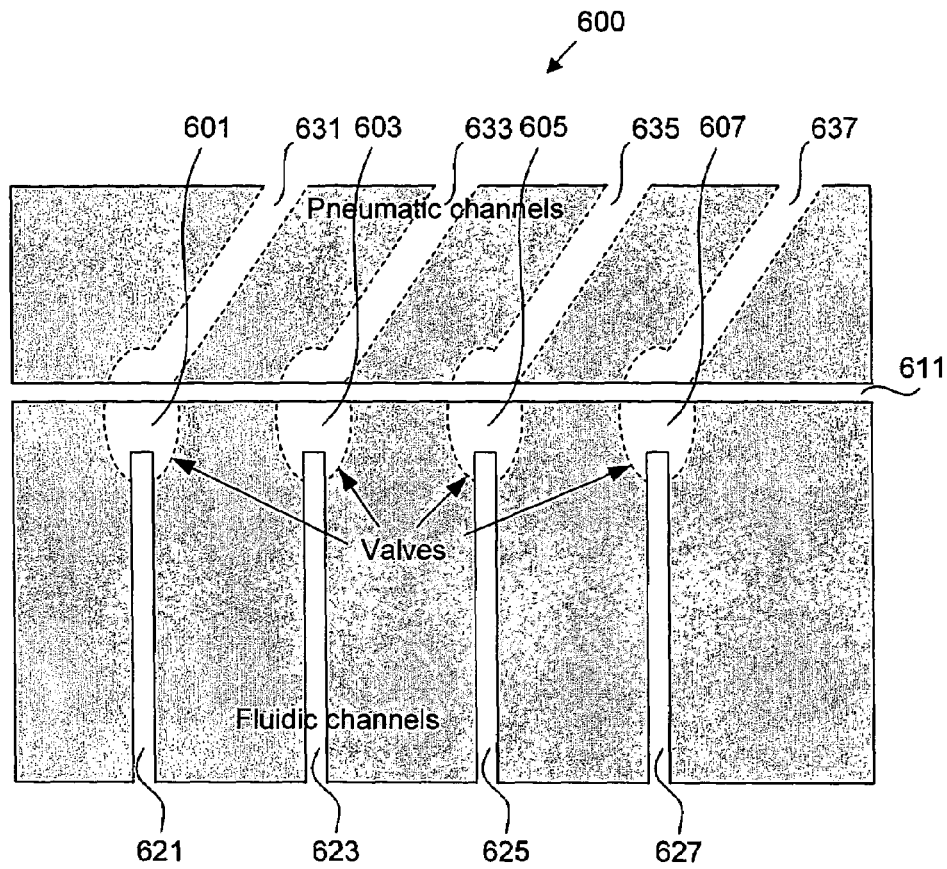


FIG. 6

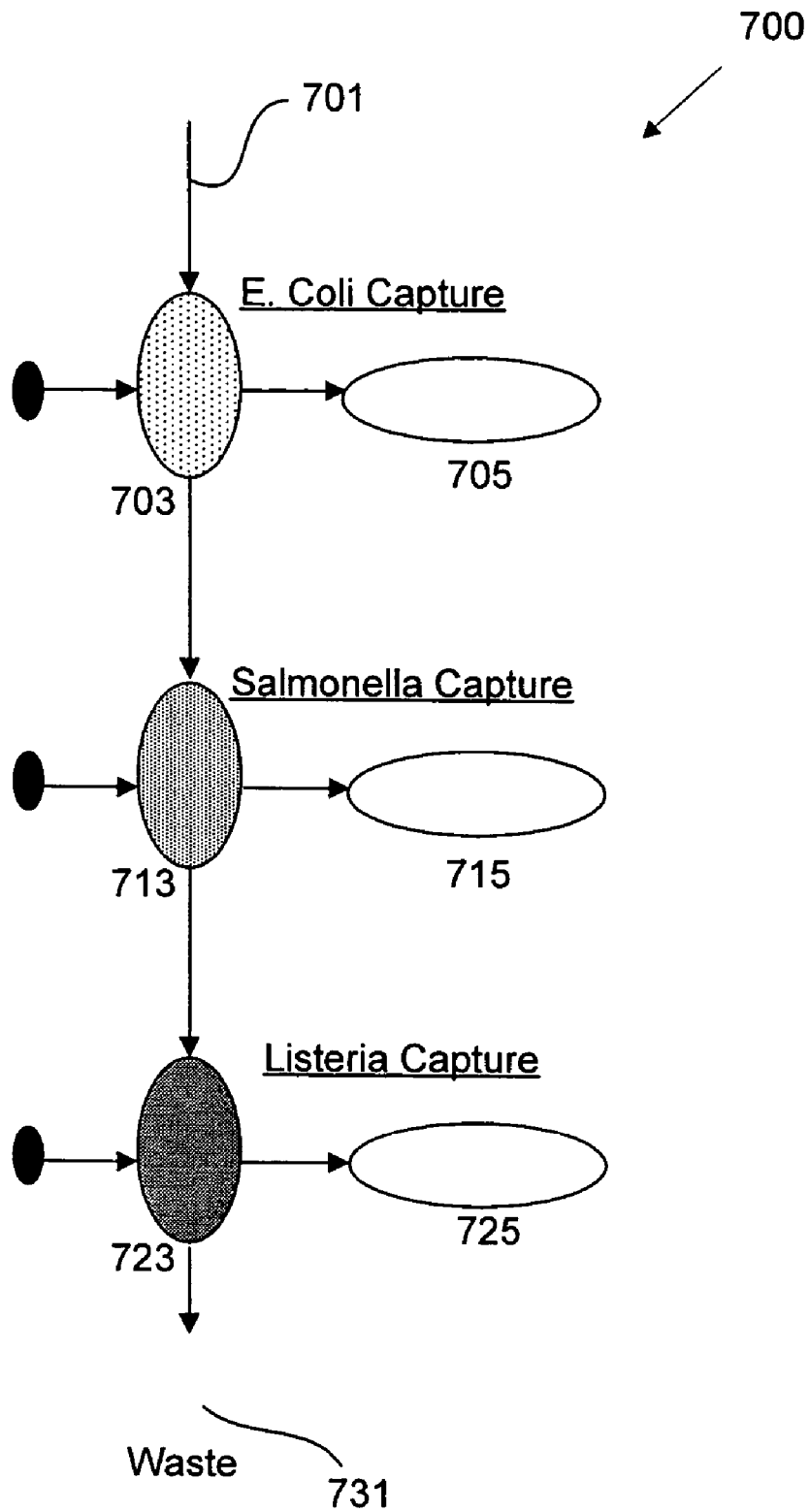


FIG. 7

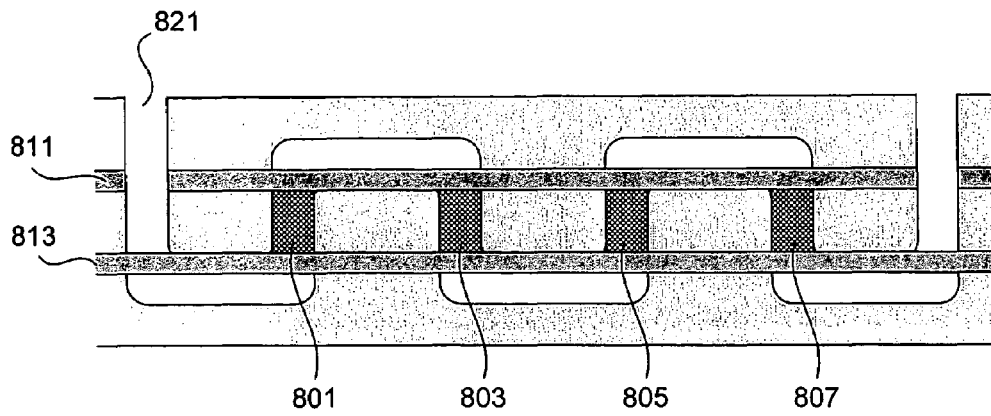


FIG. 8

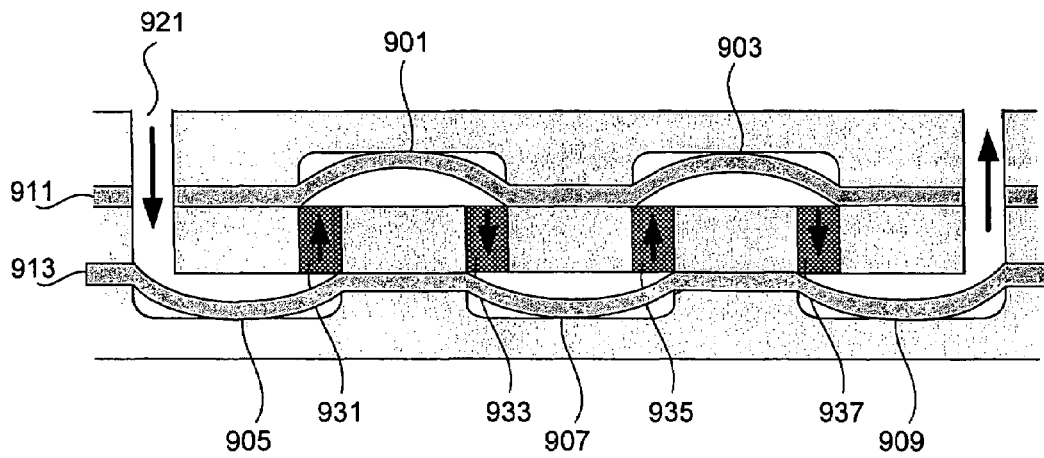


FIG. 9

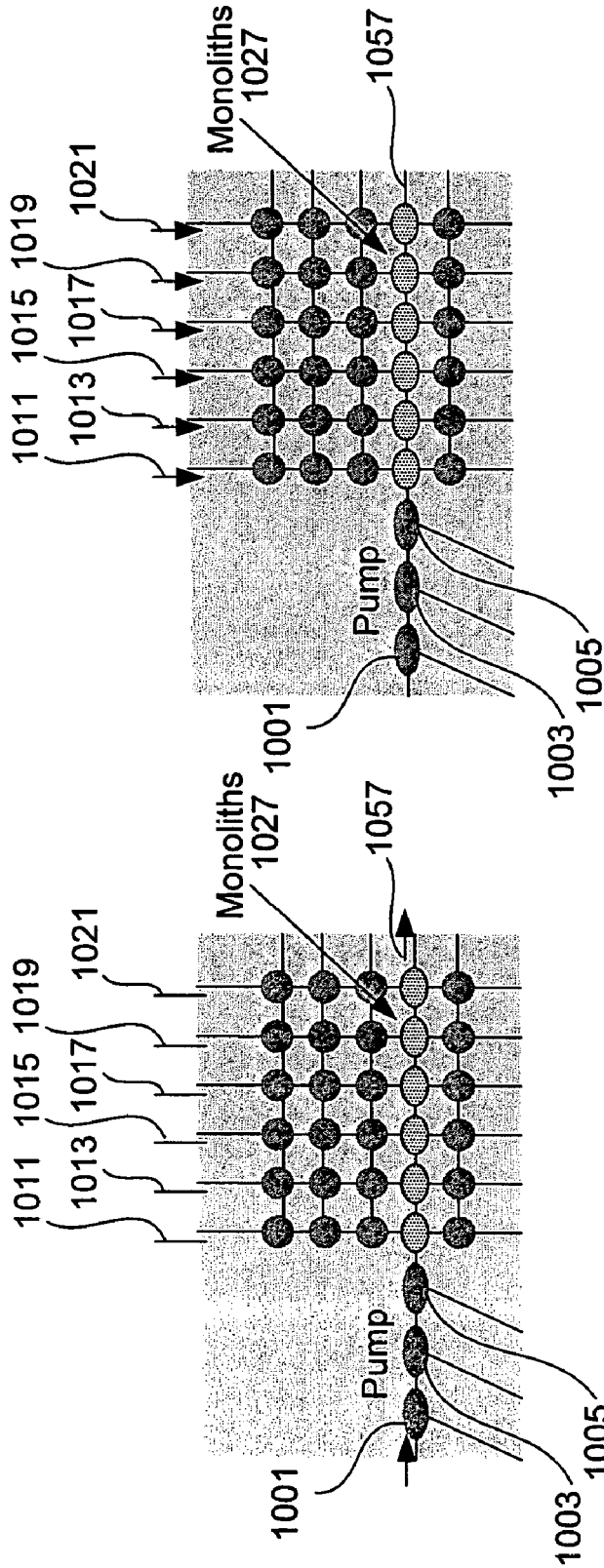


FIG. 10B

FIG. 10A

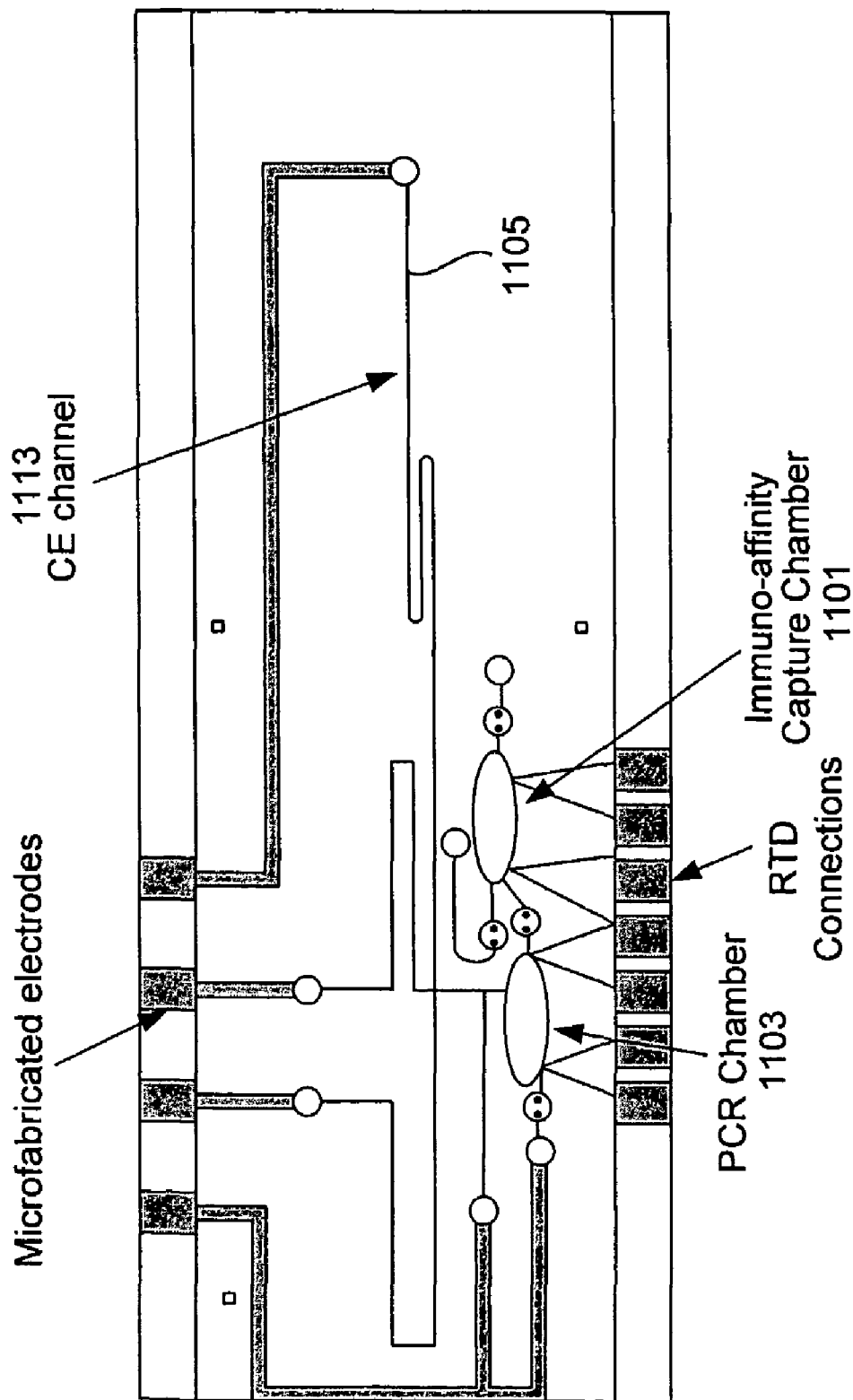


FIG. 11

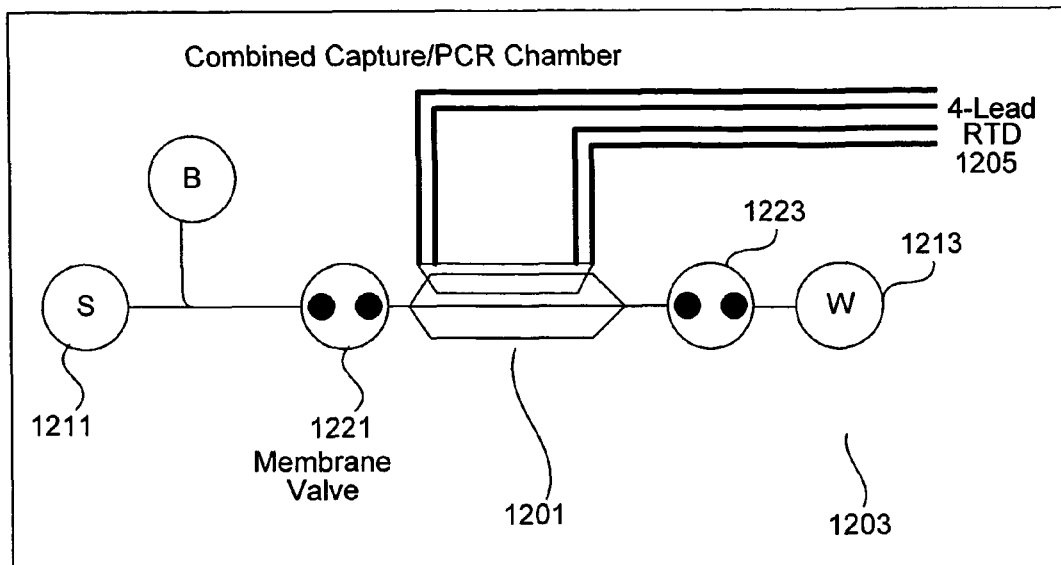


FIG. 12

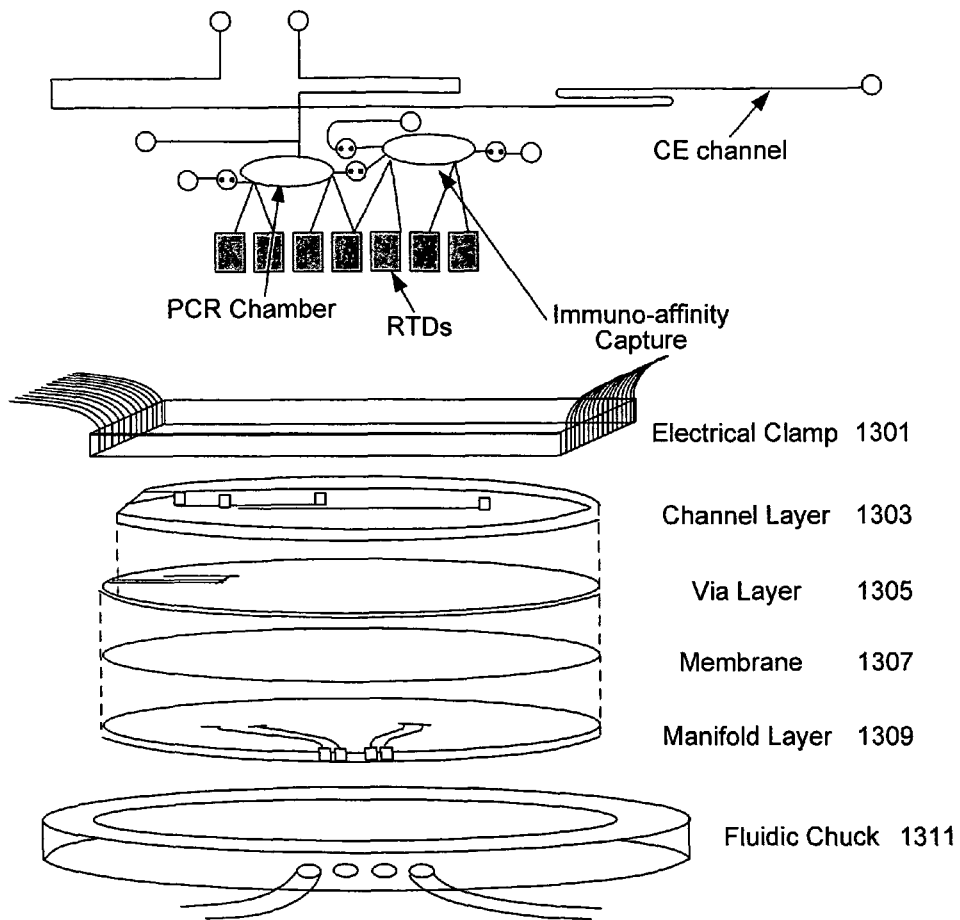


FIG. 13A

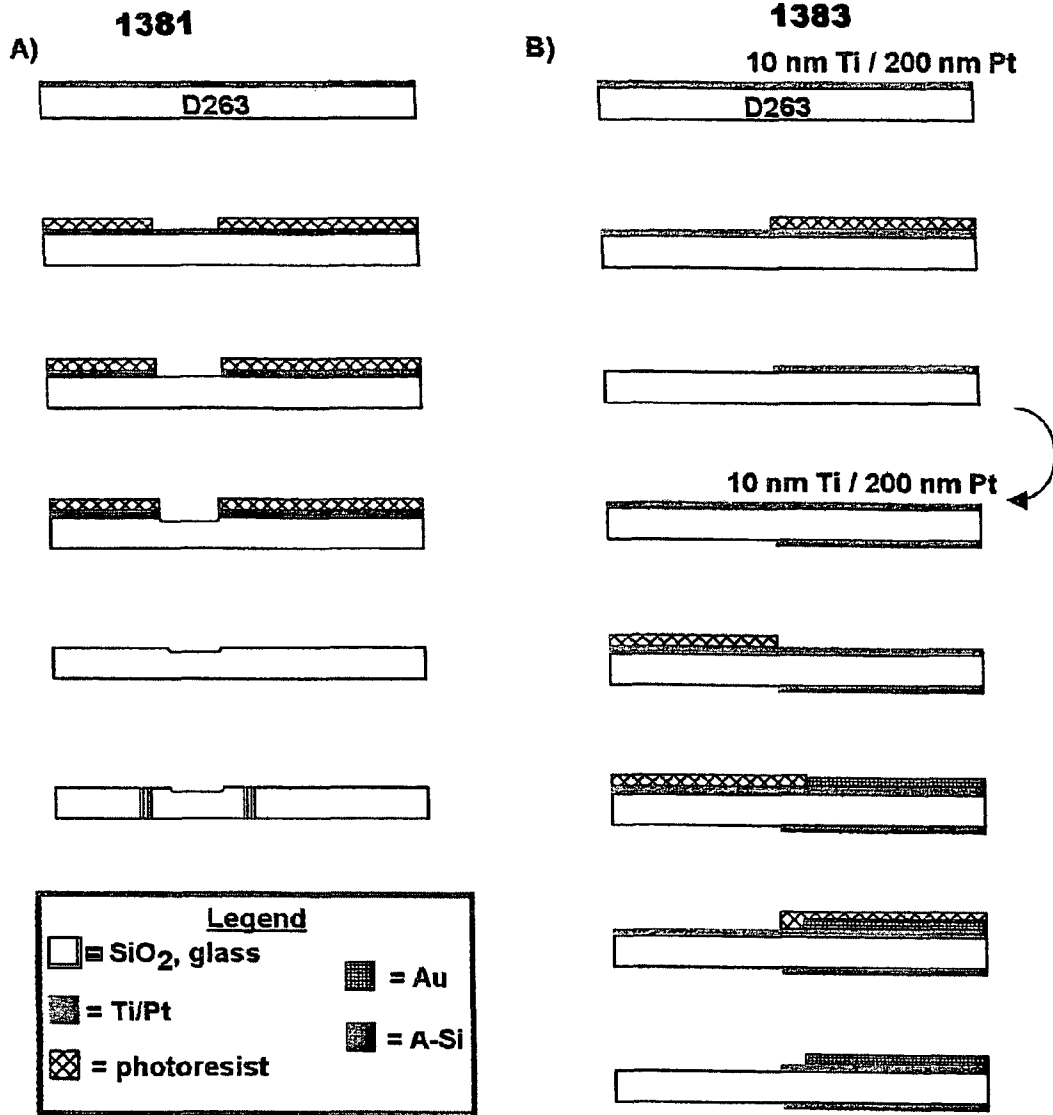


FIG. 13B

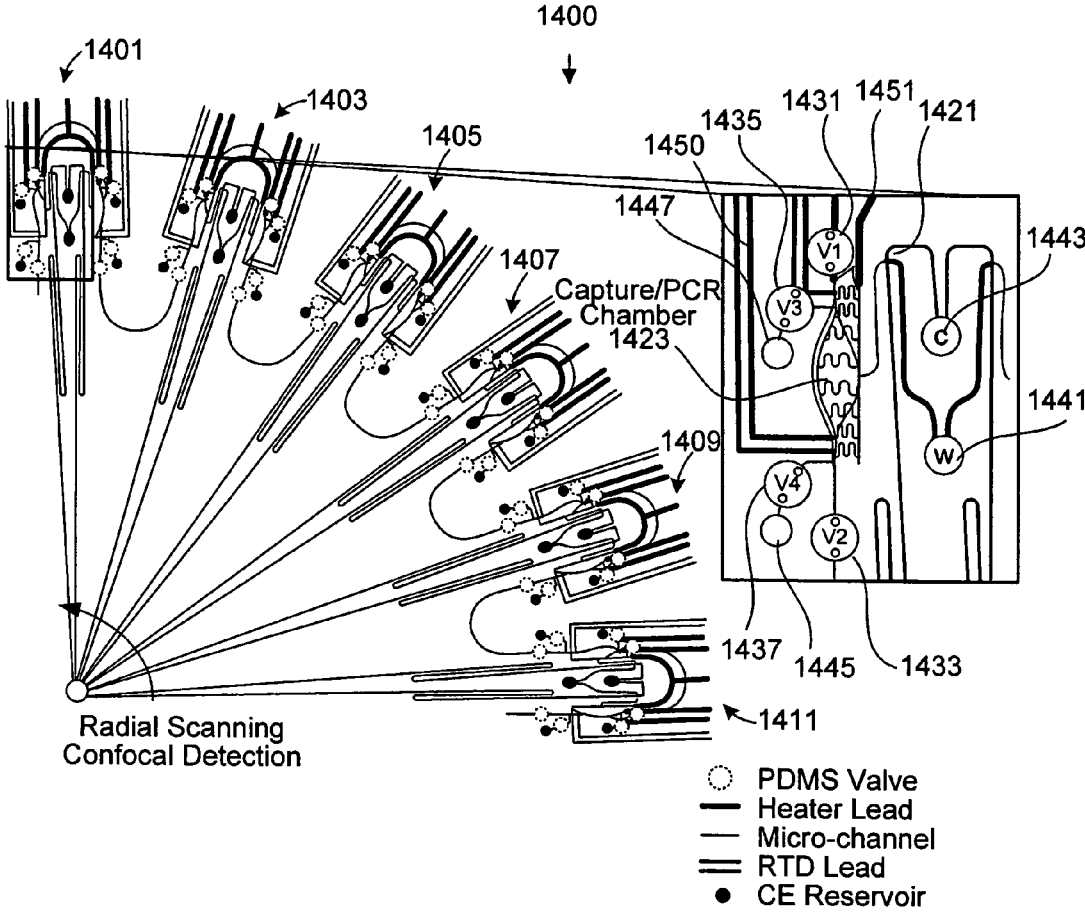


FIG. 14

FLUID CONTROL STRUCTURES IN MICROFLUIDIC DEVICES

CROSS REFERENCE TO RELATED APPLICATIONS

This application claims priority under U.S.C. 119(e) from Provisional U.S. Patent Application Ser. No. 60/475,013 filed May 30, 2003, titled "Monolithic Membrane Structures for Fluid Control in Glass Microfluidic Devices", and from Provisional U.S. Patent Application Ser. No. 60/437,262 filed Dec. 30, 2002, titled "Microfabricated Immuno-Genetic Pathogen Analyzer," the entireties of which are incorporated by reference for all purposes. This application is also related to concurrently filed PCT Application No. PCT/US03/41466, filed Dec. 29, 2003, titled "Microfabricated Immuno-Genetic Pathogen Analyzer," the entirety of which is incorporated by reference for all purposes.

STATEMENT REGARDING FEDERALLY SPONSORED RESEARCH

The techniques and mechanisms of the present invention were made with Government support under Contract DEFG91ER61125 by the U.S. Department of Energy, by NASA Grant No. NAG5-9659, and by NIH grants HG01399 and P01 CA 77664.

BACKGROUND OF THE INVENTION

The present invention relates to microfluidic devices. In one example, the present invention provides microfluidic control structures for effectively implementing sample preparation, processing, detection and analysis systems.

Conventional mechanisms for microfluidic analysis are limited. Some available mechanisms include single channel separation devices and multiple channel separation devices. Others include analyzers that integrate some sample preparation and analysis steps. However, many microfluidic analysis devices that include fluidic control capabilities are chemically or physically incompatible with many chemical or biochemical assays. In addition, many microfluidic control elements are difficult to fabricate in dense arrays because of limitations in the fabrication process, robustness, and/or design. Many conventional devices require constant actuation to maintain fluidic control. A microfluidic device utilizing such valves can not be removed from its control system without losing control of the fluidic contents of the device. In addition, many techniques and mechanisms for microfluidic analysis furthermore lack sensitivity, specificity, or quantitative analysis capabilities. In particular, conventional microfluidic analysis mechanisms lack the functionality and capabilities to efficiently implement sample preparation for systems such as pathogen detectors and analyzers.

It is therefore desirable to provide improved methods and apparatus for implementing microfluidic control mechanisms such as valves, pumps, routers, reactors, etc. to allow effective integration of sample introduction, preparation processing, and analysis capabilities in a microfluidic device. In one example, it is desirable to provide microfluidic devices having microfabrication efficiencies that can be used to implement both single channel and array based systems that can be used as pathogen detectors and analyzers that provide few false positives, high throughput and inexpensive continuous monitoring.

SUMMARY OF THE INVENTION

Methods and apparatus for implementing microfluidic analysis devices are provided. A monolithic elastomer membrane associated with an integrated pneumatic manifold allows the placement and actuation of a variety of fluid control structures, such as structures for pumping, isolating, mixing, routing, merging, splitting, preparing, and storing volumes of fluid. The fluid control structures can be used to implement a variety of sample introduction, preparation, processing, and storage techniques.

In one embodiment, a microfluidic structure is provided. The microfluidic structure includes a first surface, a second surface, and an elastomer membrane. The first surface includes a pneumatic channel. The second surface includes a fluidic channel. An elastomer membrane is located between the first and second surfaces such that the application of a pressure or a vacuum to the pneumatic channel causes the membrane to deflect to modulate a flow of a fluid in the fluidic channel.

In another embodiment, a microfluidic structure is provided. A first layer includes a pneumatic channel. A second layer includes a plurality of vias. A third layer includes a fluidic channel. An elastomer membrane is located between the first and second layers such that the application of a vacuum to the pneumatic channel causes the membrane to deflect to modulate a flow of a fluid in the fluidic channel.

In another embodiment, a microfluidic device is provided. The microfluidic device includes a chemically compatible layer and a membrane layer. The chemically compatible layer has a plurality of channels. The channels are operable to provide paths for fluid flow. A membrane layer is coupled to the chemically compatible layer. Applying pneumatic pressure to regions of the membrane layer is operable to actuate a plurality of pneumatically switchable valves, wherein the pneumatically switchable valves are operable to control fluid flow on the microfluidic device.

In yet another embodiment, a method for controlling fluid flow on a microfluidic device is provided. An input valve is opened and an output valve is closed by varying pneumatic pressure to one or more regions of a membrane layer coupled to a glass layer. The glass layer includes a plurality of etched channels. The etched channels are operable to provide paths for fluid flow. A diaphragm valve is opened and the input valve is closed by varying pneumatic pressure. The output valve is opened and the diaphragm valve is closed. Closing the diaphragm valve pumps analyte fluid through the open output valve.

These and other features and advantages of the present invention will be presented in more detail in the following specification of the invention and the accompanying figures, which illustrate by way of example the principles of the invention.

BRIEF DESCRIPTION OF THE DRAWINGS

The invention may best be understood by reference to the following description taken in conjunction with the accompanying drawings, that illustrate specific embodiments of the present invention.

FIGS. 1A-1E are diagrammatic representations showing mechanisms on a microfluidic device suitable for implementing the techniques of the present invention.

FIG. 2 is a diagrammatic representation depicting a diaphragm pump.

FIG. 3 is a plan view of a diagrammatic representation showing a fluidic router.

FIG. 4 is a plan view of a diagrammatic representation depicting a mixing loop.

FIGS. 5A-5D are diagrammatic representations showing a fluid reservoir.

FIG. 6 is a diagrammatic representation showing bus valves.

FIG. 7 is a diagrammatic representation of a pathogen detection system.

FIG. 8 is a diagrammatic representation depicting immunoaffinity capture valve mechanisms.

FIG. 9 is a diagrammatic representation showing immunoaffinity capture valve mechanisms.

FIGS. 10A and 10B are diagrammatic representations showing capture and routing of analytes for immunoaffinity capture.

FIG. 11 is a diagrammatic representation showing PCR and CE that can be integrated with immunoaffinity capture.

FIG. 12 is a diagrammatic representation of a combined immunocapture and PCR chamber.

FIG. 13A is a diagrammatic representation of a pathogen detection system.

FIG. 13B is a diagrammatic representation showing micro-fabrication stages.

FIG. 14 is a diagrammatic representation of a radial array of pathogen detection systems.

DETAILED DESCRIPTION OF SPECIFIC EMBODIMENTS

Reference will now be made in detail to some specific embodiments of the invention including the best modes contemplated by the inventors for carrying out the invention. Examples of these specific embodiments are illustrated in the accompanying drawings. While the invention is described in conjunction with these specific embodiments, it will be understood that it is not intended to limit the invention to the described embodiments. On the contrary, it is intended to cover alternatives, modifications, and equivalents as may be included within the spirit and scope of the invention as defined by the appended claims. For example, the techniques of the present invention will be described in the context of glass microfluidic devices, although other devices such as plastic devices could also be used.

It should be noted that the fluid control structures suitable for use in glass microfluidic devices can be applied to a variety of microfluidic devices. A pathogen detection system is a good example of one possible application that can benefit from the use of fluid control structures. In the following description, numerous specific details are set forth in order to provide a thorough understanding of the present invention. The present invention may be practiced without some or all of these specific details. In other instances, well known process operations have not been described in detail in order not to unnecessarily obscure the present invention.

The field of microfluidic analysis technology has evolved rapidly from the earliest single channel separation devices. Some devices include multichannel separation devices for high throughput analysis and analyzers that integrate sine sample preparation and analysis on a single chip. Devices that combine both multichannel analysis and integrated sample preparation are capable of reducing the amount of resources and cost needed to perform a variety of assays. An illustrative example may be found in the field of genomics: integration of sequencing sample preparation, purification, and electrophoretic analysis in a single device translates into decreases in assay time and cost and increased assay throughput efficiency and robustness. In all cases, a high level of integration in a

microfluidic device requires a robust on chip mechanism for isolating, routing, merging, splitting, and storing volumes of fluid.

Some valve technologies for use in silicon, glass silicon, polymer, and elastomer microfluidic devices have addressed these requirements in a limited manner. However, many of these technologies are chemically or physically incompatible with many chemical or biochemical assays. Furthermore, many technologies lack the variety of robust surface modification chemistries available for glass microfluidic devices. In addition, individual microfluidic valves are typically fabricated with separate membranes normally held open. Having valves normally open requires constant actuation to maintain fluidic control. A microfluidic device utilizing such valves cannot be removed from a control system without losing control of the fluidic contents of the device. Furthermore, some typical devices use individually placed latex membranes. Individually placed pneumatically actuated latex membranes have been developed but this fabrication method prevents large scale integration into multichannel, high throughput analysis devices.

Other microfluidic devices are fabricated using anodically bonded silicon and glass wafers and actuated piezoelectrically. However, the electrical conductivity and chemical compatibility of silicon complicates use in analytical devices. Thin films bonded to or deposited on silicon can only partially mitigate the electrical conductivity and chemical compatibility.

Elastomer devices have also been demonstrated. However, the hydrophobicity and porosity of elastomeric materials render elastomeric devices incompatible with many chemical and biochemical assays. It is thus desirable to minimize the fluidic contact with elastomer surfaces. Complex fabrication, chemical compatibility, unreliable fluid manipulation and other problems have made existing fluidic manipulation technologies inadequate for integration into large-scale, high-throughput lab-on-a-chip devices.

Consequently, the techniques and mechanisms of the present invention provide a monolithic membrane valve structure suitable for high density integration into microfluidic devices. A variety of fluid control structures based on the monolithic membrane valve structures are also provided.

A microfluidic device having a monolithic membrane is one example of a particularly suitable device for implementing a pathogen detection system on a chip. According to various embodiments, the pathogen detection system includes immunocapture and DNA analysis mechanisms such as polymerase chain reaction (PCR), and capillary electrophoresis (CE) mechanisms. In one example, the pathogen detection system can be implemented on a glass microfluidic device having a variety of fluidic control structures.

FIGS. 1A-1E are diagrammatic representations of monolithic membrane valves that can be implemented on a glass microfluidic device. FIG. 1A is a top view of a diagrammatic representation of a monolithic membrane valve. FIG. 1B is a side view of a diagrammatic representation of a three-layer device having the valve. FIG. 1C is a side view of a diagrammatic representation of a four-layer devices having the valve. FIG. 1D is a side view of a diagrammatic representation of an open valve of a three-layer device. FIG. 1E is a side view of a diagrammatic representation of an open valve four-layer device. According to various embodiments shown in FIGS. 1A and 1B, a three-layer glass microfluidic device includes an elastomer membrane 111 sandwiched between two glass wafers 101 and 105. In one example, the elastomer membrane is a polydimethylsiloxane (PDMS) membrane available as 254 μm thick HT-6135 and HT-6240 membranes from Bisco

Silicons of Elk Grove, Ill. Other flexible membranes can also be used. The elastomer membrane **111** makes a reversible but strong bond between the wafers.

A fluidic channel **103** is etched in the wafers prior to bonding and is used to carry fluids. A manifold channel **107** and a valve area **109** are similarly etched to carry air or other working fluid under pressure or vacuum to actuate the valves. Typically, the pneumatic channels **107** and **109** are located on one wafer **105**, herein referred to as the pneumatic wafer, and the fluidic channels are etched on the second wafer **101**, herein referred to as the fluidic wafer. These etched channel features can directly contact the membrane and form a hybrid glass/elastomer channel as shown in FIG. 1B.

Alternatively, the membrane can be between a thermally bonded all-glass fluidic wafer sandwich (XY) and the pneumatic wafer **159** as shown in the four-layer device **150** of FIG. 1C. Having an all glass channel allows a device to benefit from the favorable physical and chemical properties of glass. Any layer having favorable physical and chemical properties is referred to as a chemically inactive layer. The chemically inactive layer can be used to fabricate XY. In one example, the sandwich of **151** and **155** that constitutes XY is made of glass.

An example of a four layer devices includes a fluidic wafer **151** thermally bonded to a via wafer **155**. Via holes with small diameters are placed at the discontinuity in the fluidic channel **153**. The elastomer membrane **157** is affixed to the via wafer **155** side of the fluidic/via wafer sandwich XZ. Valve deflection chambers **161** are etched in the manifold wafer **159** and bonded to the membrane **157**, completing the 4-layer device **150**. In this way, fluidic channel **153** retain an all-glass chemically favorable configuration while allowing implementation of the large-scale integrated fluidic control structures. In some embodiments, the four layer device shown in FIG. 1C provides substantial benefits over a three layer device as it minimizes contact between a sample and an elastomer membrane.

According to various embodiments, the various fluid control components within the monolithic membrane device are actuated by applying pressure or vacuum to holes on the pneumatic wafer. Any single membrane is referred to herein as a monolithic membrane. Any single device with a monolithic membrane is referred to herein as a monolithic device. Mechanisms for supplying pressure or vacuum to etched channels associated with a pneumatic wafer are herein referred to as ports or pneumatic ports. In a three layer device, etched channels in the pneumatic wafer distribute the actuation vacuum to valve region **109** of the elastomer membrane **111**. Vacuum applied via the manifold channel at valve area region **109** deflects the membrane away from the channel discontinuity, providing a path for fluid flow across the discontinuity and thus opening the valve as shown in FIG. 1D. Valves that can be opened or closed using pneumatic pressure are herein referred to as switchable valves or pneumatically switchable valves.

Applying pneumatic pressure includes either applying pressure or applying a vacuum. The membrane **157** consequently can modulate the flow of fluid in the adjacent fluid channel as shown in FIG. 1D. In FIG. 1D, a vacuum is applied to valve area **109** through etched channels associated with pneumatic wafer **105** to open fluidic channel **103**. When vacuum pressure or suction is no longer applied to valve area **109**, the membrane **111** closes the fluidic channel **103** as shown in FIG. 1B. FIG. 1E shows a four layer device. The four layer device includes a channel layer **151**, channel **153**, via layer **155**, membrane layer **157**, and pneumatic layer **159**. As noted above, the four layer device provides substantial

benefits over a three layer device as it minimizes contact between a sample and an elastomer membrane in some cases to only a valve area **161**.

It should be noted that the structures shown can be oriented in any direction. In some examples, valves can be inverted on a device. A pneumatic layer can be above or below a fluidic layer. The techniques of the present invention allow a variety of orientations, as gravity does not adversely affect the membrane valves.

The fluidic control structures provide a variety of benefits. For example, the monolithic membrane valves are normally closed valves, meaning that the valves remain closed even when the device is disconnected from the actuation pressure source. Existing normally open microfluidic valves require constant actuation to maintain control of the fluidic contents of the device. Furthermore, unlike shape memory alloy structures, both the closed and open temperatures of the valve structures are at ambient temperature, facilitating work with aqueous biological fluids.

In many typical implementations, a number of interfaces between the microfluidic device are needed in order to manipulate various fluidic control mechanisms. However, according to various embodiments of the present invention, multiple regions of a membrane can be actuated in parallel by connecting their pneumatic control channels. In one example, a series of valves can be controlled using a single pneumatic port. Consequently, a significant number of valves can be controlled using only a limited number of external interfaces or pneumatic ports. This simplifies implementation and minimizes problems interfacing with the device. According to various embodiments, controlling valves in this manner allows massively parallel pneumatic actuation of a monolithic membrane for operating valves, pumps, reservoirs, routers, and other fluid control structures within the device.

The membrane valves can be used to form a variety of fluidic control mechanisms. FIGS. 2A and 2B are diagrammatic representations of a pump formed using membrane valves. According to various embodiments shown in FIGS. 2A and 2B, three valves placed in series form a diaphragm pump **210**. Pumping is achieved by actuating the valves according to a five step cycle. FIG. 2A shows a top view of a three-layer monolithic membrane diaphragm pump. FIG. 2B shows a side view of the three-layer monolithic membrane diaphragm pump. The diaphragm pump includes an input valve **201**, a diaphragm valve **203**, and an output valve **205**. It should be noted that the diaphragm pump can operate in either direction and the designations of the input valve and output valve are arbitrary. The pump includes a fluidic layer **209** having etched fluidic channels **211**, a monolithic membrane **207**, and a manifold layer **213**. The air tight nature of the valves makes the pumps self-priming and capable of pumping air in addition to other gases and fluids.

According to various embodiments, pumping can be performed in a-series of stages. In a first stage, output valve **205** is closed and an input valve **201** is opened. In a second stage, a diaphragm valve **203** is opened. In a third stage, the input valve **201** is closed. In a fourth stage, the output valve **205** is opened. In a fifth stage, the diaphragm valve **203** is closed, pumping analyte fluid through the open output valve **205**.

The volume pumped per cycle is determined by the volume contained within the open diaphragm valve, a volume that, in turn, determined by the size of the pneumatic chamber in the diaphragm valve. Therefore, pumps designed for metering known nanoliter to microliter scale volumes of fluid can be fabricated by modulating the size of the diaphragm valve pneumatic chamber. The diaphragm pumps are self-priming and can pump fluids forward or backward by reversing the

actuation cycle. It should also be noted that the valve seat where the membrane contacts the glass sealing surface may be etched to have ridges or other surface modifications to control the adhesion of the membrane to the glass surface.

Monolithic valves can also be used to form routers, mergers, and splitters. It should be noted that although the following structures will be described in the context of three layer structures, the structures can also be implemented using four or more layers. FIG. 3 is a diagrammatic representation of a router 300. The router includes valves 301, 303, 305, and 317; pneumatic channels 331, 333, 335, 337, and 339; fluidic channels 321, 323, 325, and 327; and a diaphragm valve 309. The router pumps fluid from any input to any output depending upon which of the input/output valves are actuated at what point during the pumping cycle. Actuating two or more input valves simultaneously merges several different fluid streams into one stream at the output valve. Conversely, actuating two or more output valves simultaneously splits a single fluid stream into several different streams at the output valves.

For example, to route fluid from channel 327 to channel 321, valves 301 and 305 are held closed. Valves 317, 309, and 303 can then be used as a pump as noted above. The router includes functionality to merge and split fluid channels. To merge fluid from channels 325 and 327 into channel 323, valve 303 is held closed. To split fluid from channel 321 to channels 323 and 327, valve 301 is held closed. In yet another example, to route a fluid introduced through channel 327 to channel 325, valves 303 and 305 are held closed. Valves 317 and 301 can be opened to allow flow of a fluid through channel 327 to channel 325. A variety of arrangements are possible.

A mixing loop can also be formed using monolithic valves. In one example, mixing can be performed by moving a fluid between two areas of a device. Mixing can be used for performing all types of on-chip operations. FIG. 4 is a diagrammatic representation of a mixing loop 400. The mixing loop or mixer includes valves 401, 403, and 405; fluidic channels 411, 413, and 415; and pneumatic channels 421, 423, and 425. Additional valved channels connect to the loop and provide fluidic access to or from the mixer. Two or more volumes of fluids can be admitted into the mixer loop through channels 413 and 415 and pumped, as noted above, in a circle until the fluids are mixed by diffusion. The mixture can then be pumped out of the mixer loop. Mixing can also be accomplished by moving a fluid back and forth between two reservoirs.

FIGS. 5A-5C are diagrammatic representations of a reservoir 500. FIG. 5A is a top view of a reservoir with an etched displacement chamber. FIG. 5B is a side view of the reservoir. FIG. 5C is a side view showing a filled reservoir. FIG. 5D is a side view of a large-volume reservoir with drilled displacement chamber and pump for autonomous filling/dispensing. The reservoir is included on a pneumatic wafer 513 sandwiching a membrane SOS with a fluidic wafer 511. The reservoir can be filled or emptied through channel 501. According to various embodiments, an open monolithic membrane valve in valve area 503 functions as a reservoir for on chip fluid storage. The size of the chamber in the pneumatic wafer 513 determines the volume of fluid stored inside the reservoir; applying vacuum fills the reservoir and applying pressure empties it.

According to various embodiments, reservoirs for storing large volumes of fluid can be fabricated by replacing the etched pneumatic chamber with a drilled hole and applying actuation pressure or vacuum directly to the hole. Alternately, a reservoir without a direct pneumatic connection can be fabricated by connecting the reservoir to a diaphragm pump.

FIG. 5D shows a reservoir 503 connected to a pump. The reservoir is filled or emptied depending upon the direction of pumping and has the advantage of variable volume. In one example, pumps such as valves 531, 533, and 535 and be used to fill or dispense fluid for reservoir 503.

A monolithic membrane reservoir with one or more fluidic inputs functions as an on-chip reactor. Like the reservoir, the reactor can draw in reactants and expel products directly by using direct pressure or vacuum applied through the pneumatic manifold wafer. Alternatively, the reactor can draw in reactants and expel products indirectly using an integrated pump, mixer, and/or router structures. According to various embodiments, since the volume of the reactor is defined by the size of the chamber 503 in the pneumatic wafer, reactors with arbitrary volumes can be included at any point on a device without drastically changing the layout of structures in the fluidic wafer. Also, the reactor can be partially filled as necessary for on chip reactions that involve a variable volume of reactants.

Most elastomer membranes are gas permeable, and this property has thus far been used to simplify fluidic filling of all elastomer devices.

According to various embodiments, the gas permeability of the membrane can eliminate bubbles and air pockets. When applying an actuating vacuum to a monolithic membrane reactor, or other fluidic structure, bubbles can be eliminated from reactions that produce gas. For example, the gas permeable membrane can reduce bubbles that can form during on chip thermal cycling of PCR reactants that could result in loss of containment of the reaction mixture.

A complex microfluidic device may include several independent modules connected to a fluidic bus. In one example, it may be useful to provide an analyte fluid to multiple different fluidic channels. In another example, a variety of reagents can be available for introduction into a microfluidic device. FIG. 6 is a diagrammatic representation of a bus valve 600 that can be used to distribute an analyte fluid. The bus valve 600 includes valves 601, 603, 605, and 607 that are designed to route fluids from a fluidic bus channel 611 to fluidic channels 621, 623, 625, and 627. Pneumatic channels 631, 633, 635, and 637 manage the valves for controlling distribution of the fluid. Typical bus valve implementations have dead volume on the bus side. Dead volume makes it difficult to rinse the bus completely between fluid routing operations. According to various embodiments, the techniques of the present invention provide bus valves with little or no dead volume on the bus side. This allows the bus to be rinsed completely between fluid routing operations and prevents mixing or cross contamination between different fluids during device operation.

The microfluidic device mechanisms can be fabricated using a variety of technologies. According to various embodiments, channel features are etched into glass wafers, for example, using standard wet chemical etching. Glass wafers (1.1 mm thick, 100 mm diameter) are piranha cleaned (20:1) and coated with a sacrificial (200 nm) polysilicon etch mask layer using an LPCVD furnace or sputtering system. Borofloat glass wafers or Schott D263 borosilicate glass wafers are used for devices with the three-layer or four-layer design. After polysilicon deposition, the wafers are spin-coated with positive photoresist, soft-baked, and patterned using a contact aligner. UV-exposed regions of photoresist are removed in Microposit developer. The exposed regions of polysilicon are removed by etching in SF₆ plasma. The wafers are etched isotropically at 7 μm/min in HF solution (49% HF for the Borofloat wafers and 1:1:2 HF:HCl:H₂O for the D263 wafers) until the desired etch depth is reached.

According to various embodiments, the fluidic channel wafers are etched 20 μm deep for the three-layer devices and 40 μm deep for the four-layer devices. The manifold wafers are etched 70 μm deep for the three-layer devices and drilled at valve locations for the four-layer devices. The remaining photoresist and polysilicon is then stripped from the wafers using PRS-3000 and SF plasma, respectively. Access holes through the fluidic and manifold wafers are drilled and the wafers are again piranha cleaned.

In some examples, devices utilizing the three-layer design are assembled by applying a PDMS membrane (254 μm thick HT-6135 and HT-6240, Bisco Silicones, Elk Grove, Ill.) over the etched features in the fluidic channel wafer and pressing the manifold hybrid glass-PDMS fluidic channels with valves located wherever a drilled or etched displacement chamber on the manifold was oriented directly across the PDMS membrane from a valve seat. Devices utilizing the four-layer design are assembled by first thermally bonding the fluidic channel wafer to a 210 μm thick D263 via wafer with pairs of 254 μm diameter drilled via holes positioned to correspond to the locations of channel gaps. The fluidic channel and via wafers are bonded by heating at 570 C for 3.5 h in a vacuum furnace (J. M. Ney, Yucaipa, Calif.). The resulting two-layer structure containing all-glass channels is then bonded to the PDMS membrane and the manifold wafer. The glass-PDMS bonds formed in this manner are reversible but still strong enough to survive the range of vacuum and pressures exerted on the device. Optionally, an irreversible glass-PDMS bond are obtained by cleaning the manifold wafer and PDMS membrane in a UV ozone cleaner (Jelight Company Inc., Irvine, Calif.) prior to assembly.

The microfluidic device mechanisms described above can be used to implement a variety of devices. The features including valves and pumps can be flexibly arranged to provide multi-channel lab-on-a-chip instruments that are able to integrate sample preparation and analysis steps into a single device. The microfluidic platform is particularly well-suited as one device capable of implementing an integrated pathogen detection system.

Conventional rapid pathogen detection systems use detection employing either Enzyme Linked Immunosorbent Assays (ELISA) or Fluorescence Immunoassays (FIA). Typically, detection involves the immobilization of an analyte specific antibody, incubation with the sample solution, and recognition with a sandwich antibody linked to an enzyme or fluorophore followed by development and detection. Immunofluorescence detection assays have also been used. However, detection limits associated with each of these assays are relatively restrictive.

The use of various formats of PCR based genetic detection and typing is also popular because of its high specificity and gain. However, even though DNA based PCR approaches are powerful, they will respond positively to both viable and nonviable pathogens, potentially producing false positives. Detection of RNA targets may be thus preferred because its rapid degradation means that live targets are required for detection.

A variety of alternative detection methods have also been proposed. Mass spectrometry methods have been developed to detect pathogens, spores, and other bioagents, by detection of neutral lipids, polar lipids and spore specific biomarkers. However, though the speed, throughput and portability of the mass spectrometry approach is not obvious and the specificity is unproven.

The detection of spores, for example anthrax, from soil, air, etc. is challenging because it is highly infective (an inhaled dose of 10,000 spores can be achieved in 10 minutes at 10

spores/L). The most advanced detection concept uses real time detection of PCR products performed in a silicon microreactor with thin film heaters and integral fluorescence excitation and detection. This system has subsequently been extended to a ten channel Advanced Nucleic Acid Analyzer (ANAA) as well as a portable version. Versions of this system are also being developed for the military and for the Post Office. A GeneXpert sample preparation system with integrated (multimicroliter) sample processing for real time PCR analysis is also being developed.

The development of portable analyzers that can rapidly perform automated and complex up front chemistries and quantitate pathogen concentrations and antibiotic resistance would be a major step forward. Similarly the ability to detect and type large numbers of samples rapidly and with very low false positives in a high throughput, multisample screening application would also be useful when large numbers of samples or potentially infected individuals need to be screened. Steps toward such automated clinical analyzers have been made. In one example, complex microfluidic circuit systems for blood clinical analyses that are essentially micro versions of the common autoanalyzer have been developed. A fully integrated analyzer (microliter volume scale) that was used for preparation of samples from blood for HIV analysis on microarrays has also been developed. This system performed a complex assay including a large number of nucleic acid steps and exploited the >100 nL dead volume pneumatic membrane valves which will be discussed in more detail below.

A lucite microfluidics cube has been developed for controlling the flow of solutions over six different immunoarray sensors that provide fluid control with a simple pressure relief system to facilitate the performance of their immunoassay with small portable systems. This format has been developed as the Raptor portable analyzer that uses integrated flow systems and fiber optic biosensor capillaries to analyze four different agents in a ten minute operation. The unique characteristics of addressable arrays have been recognized to develop an integrated stacked microlaboratory that performs automated electric field driven immunocapture and DNA hybridization array analysis. For example, following immunocapture the bacteria were released for strand displacement amplification (SDA) followed by hybridization analysis of the amplified Shiga like toxin gene. However, the multiplex sample analysis was not performed and the limits of detection was not studied.

While conventional microfabrication is done in silicon, it has been determined that for chemical and biochemical analyses, glass microfluidic structures exhibit preferable chemical and electrophoretic properties and the extension to plastic structures is in progress. In the high throughput applications, the techniques of the present invention provide radial channel layouts that permit the rapid parallel analysis of 96 to 384 fragment sizing or sequencing separations in parallel. The integration of PCR directly with CE analysis on a chip is provided with enzymatic DNA digestion and affinity capture.

According to various embodiments, the microfluidic device mechanisms of the present invention allow the creation of intricate channel structures that permit the formation of complex arrays of chambers, valves and CE analysis channels. The small size of these CE channels together with the use of cross injectors facilitates the performance of very rapid, high resolution electrophoretic separations. Substantially all operations that have been performed in chromatographic columns or capillaries have also been reduced to a chip format with decreases in required sample volume and improved analysis time and sensitivity.

According to various embodiments, the pathogen detection system of the present invention has the attributes of sensitivity combined with specificity and quantitation to provide a particularly useful assay. Many pathogens are infective at $>10^3$ ingested bacteria, but *V. cholera* will not cause symptoms if less than 10^5 organisms are orally ingested and for *B. anthracis* much lower levels are considered significant. Identifying the strain so that the pathogenic can be distinguished from the nonpathogenic, and identifying the presence of specific toxins or antibiotic resistance genes can also be critical for identifying the threat and determining the treatment. Furthermore, the ability to determine the concentration or dose of bacteria and to report this quantitatively along with the identity will distinguish important challenges from background challenges.

FIG. 7 is a diagrammatic representation of one example of a pathogen detection system 700. An analyte is introduced through a channel 701 into immunoaffinity capture chambers 703, 713, and 723 with waste collected at a channel 731. According to various embodiments, immunoaffinity reagents are used to capture, concentrate and stratify input bacterial mixtures into the series of separate immunological chambers 703, 713, and 723. This facile process addresses the important macro to micro interface that has previously been a barrier for the application of microfluidic systems to trace pathogen detection. The first stage of immunocapture also plays a significant role in enhancing the specificity of the assay. To achieve the enhanced sensitivity, a user of the pathogen detection system can then perform PCR based redundant confirmation of the presence of the agent and also develop methods based on specific primers or more general genotyping methods such as PCR to identify the specific strain, the presence of toxin genes and the presence of antibiotic resistance markers using DNA analysis mechanisms 705, 715, and 725. In one example, DNA analysis mechanisms 705, 715, and 725 include PCR and CE.

According to various embodiments, the immunoaffinity capture chambers 703, 713, and 723 are integrated with PCR chambers but CE mechanisms remain separate. The combination of immunocapture and nucleic acid analysis dramatically enhances the sensitivity and specificity of the individual assays.

The ability to genetically differentiate pathogenic from nonpathogenic strains is critical in many applications. The combination of immunocapture as the front end to PCR analysis provides an important purification of the input bacterial population to address concerns about the presence of PCR inhibitors often found in impure, complex "real world" samples. According to various embodiments, the pathogen detection system will be set up to perform PCR in the low cycle number (not asymptotic) regime so that quantitation of the input target population is maintained and reported. In many examples, the processed samples can then be provided for CE analysis. The use of modern microfluidic technologies will result in the production of inexpensive, rapid and robust assay systems that are small, portable, and require minimal power, resources and skill for operation.

Integrated immunoaffinity capture chambers are included in a pathogen analyzer. A variety of capture mechanisms can be used, such as frits, beads, gels, monoliths, and polymers. FIGS. 8 and 9 are diagrammatic representations showing immunocapture chambers implemented using silica frits or beads. According to various embodiments, immunocapture chambers includes a series of silica frits fabricated by filling wafer holes with a mixture of silica powder and sodium silicate

binder. Upon dehydration and rinsing, the silicate condenses to silica gel and an insoluble silica frit is formed at 801, 803, 805, and 807.

According to various embodiments, each silica frit formed in a 1.1 mm thick glass wafer is 1 mm in diameter. The immunocapture chambers are associated with a channel 821 for introducing and evacuating an analyte. The in-wafer frits can easily be integrated into devices containing membranes 811 and 813 and valve and pump structures. In FIG. 8, the four silica frits 801, 803, 805, and 807 are sealed shut by membranes 811 and 813. The large silica surface of each frit is suitable for chemical derivatization by a wide variety of organosilane reagents. To further simplify device fabrication, the monolith wafer can be chemically derivatized prior to non-thermal PDMS bonding to the rest of the device.

In one example, mechanisms such as frits or beads $1.5\ \mu\text{m}$ are provided into a capture chamber to allow for capture of many macro species such as spores and bacteria. Solid-phase capture of many macro-species is known to those of skill in the art and is well characterized in Weimer, B. C., M. K. Walsh, C. Beer, R. Koka, and X. Wang, 2001 Solid Phase Capture Of Proteins, Spores, and Bacteria. *Appl Environ Microbiology*, 67:1300-1307. In some examples, to utilize bead reagents for capture, the chamber is modified with a weir structure to provide a bead stop, as well as a bead introduction channel. Electrokinetic bead bed packing and weir bead trapping is known to one of skill in the art. Alternatively, immunofunctionalized magnetic beads may be introduced into a chamber without a weir.

FIG. 9 is a diagrammatic representation showing open valves with the monoliths no longer sealed. According to various embodiments, pneumatic vacuum pressure is applied at regions 901, 903, 905, 907, and 909 to allow flow of an analyte along channel 921 through the frits 931, 933, 935, and 937. Any number of frits may be included in a fabricated device.

FIG. 10A is a diagrammatic representation showing capture of an analyte. According to various embodiments, a pump 1000 including three membrane valves 1001, 1003, and 1005 is used to pump an analyte solution containing oligonucleotides, proteins, cells, etc., through the series of immunocapture chambers.

Chambers can use a variety of mechanisms for capturing a target of interest. Anything of interest configured for capture in an immunocapture chamber is referred to herein as a target. The fluid or substance carrying the target is referred to herein as an analyte. In one example, the target is Salmonella or Listeria carried in a fluid analyte.

In other examples, each capture chamber is filled with a viscous polymeric matrix containing oligonucleotide probes to selectively bind the target molecules. In the case of DNA analysis, Sanger DNA sequencing extension products, including primers and polymerase reagents in a high salt concentration, are electrophoresed through an immunocapture chamber containing the immobilized acrylamide matrix containing the covalent oligonucleotide probe. The capture sequence is chosen so that only DNA amplification products are captured by the probe, but the primers and polymerase reagents, along with salts, pass through the device. This is not unlike the need to purify target molecules from complex, dirty mixtures that will be encountered in point of care analyses.

An alternative approach for the preparation of microcapture chambers with functionalized polymeric capture matrices includes the preparation of monoliths with pores in the range of $10\text{-}20\ \mu\text{m}$, and the preparation of chambers with large microfabricated elements (ca. $100\ \mu\text{m}$) surface modified by a thin crosslinked layer of functional polymer. This

approach is useful as beads are sometimes found difficult to pack in capture chambers and bead beds are often not sufficiently mechanically stable for routine operation. According to various embodiments, molded blocks of porous (10-20 μm) surface functionalized polymer monoliths are formed directly within the capture chambers by photo polymerization of a precursor mixture including monomers and porogenic solvents.

Since the polymerization process is accomplished using UV light, the porous polymer can be formed in any desired area of the microfluidic device using photolithography. The kinetics of such a "microlithographic" polymerization process using glass chips filled with a precursor mixture has been characterized and is known to one of skill in the art as shown in Yu, C., F. Svec, and J. M. J. Frechet 2000. Towards stationary phases for chromatography on a microchip: Molded porous polymer monoliths prepared in capillaries by photo-initiated in situ polymerization as separation media for electrochromatography. *Electrophoresis*, 21:120-127 and Yu, C., M. Xu, F. Svec, and J. M. J. Frechet 2002. Preparation of monolithic polymers with controlled porous properties for microfluidic chip applications using photoinitiated free radical polymerization. *J. Polymer Sci.*, 40:755. Similarly the precise location of the monolithic material on the device as well as its surface chemistry can be controlled as is known to one of skill in the art as shown in, Rohr, T.C, C. Yu, H. M. Davey, F. Svec, and J. M. J. Frechet 2001. Simple and efficient mixers prepared by direct polymerization in the channels of microfluidic chips. *Electrophoresis*, 22:3959. Control over porous properties of the monolithic polymers can be achieved by adjusting the composition of the porogenic solvents.

Whether a monolith or a surface with microfabricated elements is used, the same grafting approach can be used to introduce the desired binding elements. Since the goal is to immobilize antibodies on the pore surface of these monoliths, the grafted chemistries are specified to readily react with biopolymers. In one example, units of 2-vinyl-4,4-dimethylazlactone incorporated into a surface graft can react rapidly with proteins. Such mechanisms are known to one of skill in the art as shown in Peterson, D. S., T. Rohr, F. Svec, and J. M. J. Frechet. 2002. Enzymatic microreactor-on-a-chip: protein Mapping using trypsin immobilized on porous polymer monoliths molded in channels of microfluidic devices. *Anal. Chem.*, 74:4081:4088. The surface to be modified (porous monolith, or microfabricated elements) can be immersed in a monomer solution and the device can be irradiated by UV light to achieve grafting in preselected areas. The extent of surface functionalization is controlled by the concentration of the monomer in the reaction solution, the irradiation time, and the intensity of the UV light.

In other embodiments, trypsin is immobilized on porous polymer monoliths consisting of 2-vinyl-4,4-dimethylazlactone, ethylene dimethacrylate, and acrylamide or 2-hydroxyethyl methacrylate. The azlactone functionalities react readily with amine and thiol groups of the enzyme to form stable covalent bonds. In some examples, the optimized porous properties of the monoliths lead to very low back pressures enabling the use of simple mechanical pumping to carry out both the immobilization of the enzyme from its solution and the subsequent analyses of substrate solutions. The Michealls-Menten kinetic characteristics of the reactors can be probed using a low molecular weight substrate such as N-a-benzoyl-L-arginine ethyl ester.

The effects of immobilization variables such as the concentration of trypsin in solution and percentage of azlactone functionalities in the monolith, as well as the effect of reaction time on the enzymatic activity, and of process

variables such as substrate flow velocity and residence time in the reactor, were studied in detail. The proteolytic activity of the enzymatic microreactor on chip was demonstrated at different flow rates with the cleavage of fluorescently labeled casein used as a substrate. The excellent performance of the monolithic microreactor was also demonstrated with the digestion of myoglobin as the fast flow rate of 0.5 $\mu\text{L}/\text{min}$, which affords a residence time of only 11.7s. The digest was then characterized using MALDI-TOFMS, and 102 out of 153 possible peptide fragments were identified giving a sequence coverage of 67%.

An enormous effort has been directed toward the development of new microfabricated analytical devices and their integration to create micro total analytical systems (Ptas). These systems offer the promise of increased throughput, lower sample and reagent consumption, smaller size, and lower operating costs than full size instrumentation. Among the various applications of microfluidic devices, analytical techniques such as electrophoresis, electrochromatography, assays involving enzymes, and immuno-assays have already been demonstrated in this format. Despite the undeniable success of microfluidic chip technologies, some problems persist. For example, the vast majority of microfluidic chips feature open channel architecture. Consequently, these channels exhibit rather small surface-to-volume ratios. They may be a serious problem in applications such as chromatographic separations, solid-phase extraction, and heterogeneous catalysis that rely on interactions with a solid surface. Since only channel walls can be used to provide the desired interactions, the microdevice can only handle minute amounts of compounds.

FIG. 10B is a diagrammatic representation showing use of the two-dimensional analysis system. After the monoliths 1027 capture targets provided by the pump with valves 1001, 1003, and 1005, the monoliths 1027 are sealed. In one example, each chamber is then heated to melt the double stranded DNA and drive off the single stranded DNA product. According to various embodiments, the purification takes place in 120 seconds, and a 200 fold concentration to only 20 nL from an initial volume of 3 μL can be achieved. Each line 1011, 1013, 1015, 1017, 1019, and 1021 includes valves for controlling or pumping captured targets for additional analysis steps.

In one example, captured targets are provided for PCR and CE analysis on the test device. Captured targets can be released for DNA analysis using mechanisms such as heat or a change in pH. The basic features of such an integrated test device include: 1) an immunocapture chamber etched into a glass substrate with a microfabricated heater and temperature sensor; 2) a polymerase chain reaction chamber of 100-300 nL for amplification of DNA obtained from lysing the cells of interest; and 3) a capillary electrophoresis microchannel etched into the glass substrate for separation and detection of the PCR amplicons.

An optional fourth item, an integrated DNA preconcentration/clean-up chamber, can also be added to the device for purification of the released pathogen genomic DNA or for desalting and preconcentration of the amplified DNA before injection onto the CE microchannel if needed. Although previous studies have shown that PCR amplicons can be directly injected onto CE microchannels for successful analysis, potentially obviating the necessity of such additional complexity, such purification may be necessary to obtain high quality electropherograms. This amplicon purification could be enabled by using oligonucleotide capture matrix chemistries. If it is necessary to purify the genomic DNA, a clean-up

chamber could be filled with carboxylated silica beads and used as a general capture matrix for bacterial DNA before PCR.

One approach to integration is simply to fabricate immunocapture, template purification, PCR, amplicon clean-up, and CE as separate modules on a glass chip. The modules would then be interfaced with each other using microchannels and various PDMS valve structures. A schematic of a pathogen analysis chip configured with separate immunocapture and PCR reactors is presented in FIG. 11. The integrated pathogen detection system includes an immunoaffinity capture chamber **1101**. An analyte is introduced into the pathogen detection system through the immunoaffinity capture chamber **1101**. A PCR chamber **1103** is coupled to the immunoaffinity capture chamber **1101** and receives targets captured by the immunoaffinity capture chamber **1101**. A CE channel **1105** is coupled to the PCR chamber **1103** for further analysis. Microfabricated electrodes **1113** are operable to provide voltage differentials. A heater (not shown) coupled to the immunocapture chamber and/or the PCR chamber is also provided. A variety of valves control the flow an analyte through the integrated system. According to various embodiments, the valves are monolithic valves.

Although providing immunocapture, PCR, CE and clean-up as separate modules on a device is a reasonable strategy, the capture efficiency, PCR efficiency and high sensitivity separation and detection of DNA fragments that are facilitated according to various embodiments suggest that a less complex device can be used. While immunocapture and PCR could be performed in separate chambers, in one example, immunocapture and PCR can be combined to simplify the device and the process. In this example, PCR can be successfully conducted from solid substrates and from solid phase immunocapture reagents. In one example, PCR can be performed using immuno-labeled beads.

FIG. 12 is a diagrammatic representation showing a combined immunocapture and PCR chamber **1201**. According to various embodiments, the combined chamber has integrated resistance heating mechanism (not shown) and a resistance temperature detector (RTD) **1205** fabricated within the nanoliter chamber. In some examples, an analyte is introduced through an input **1211** through a membrane valve **1221**. Pathogens of interest are immobilized within the chamber **1201** using pressure driven flow and waste is collected through a valve **1223** at an output **1213**. After pathogens are immobilized, the chamber **1201** is flushed with buffer to remove loosely adhered cells or non specifically bound agents.

PCR buffer is introduced either through the original sample inlet **1211** or through a separate dedicated inlet. Depending on the pathogen of interest in the chamber **1201**, a chemical lysis agent can be included directly into the PCR buffer. After introduction of the lysis reagent and/or PCR buffer, the integrated heater **1203** in the capture/PCR chamber is used to raise the temperature of the sample to a temperature at which the pathogens are simultaneously released from the capture matrix and, depending on the class of agent, lysed.

The simplest and often most effective lysis method is simply performing heating/cooling cycles. Gram negative bacteria and some eukaryotic cells, with their thinner outer membranes, are more susceptible to lysis using either heat alone or heat with a small concentration of chemical lysis solutions. In some cases, such as for spores or gram positive bacteria, use of a more aggressive lysis agent that would interfere with the PCR may be necessary. For example, lysozyme, proteinase K, lysostaphin, and mutanolysin are commonly required separately or in tandem to lyse some recalcitrant gram positive

Staphylococcal and Streptococcal strains. In these cases, the use of a separate immunocapture chamber and the addition of a clean-up/preconcentration chamber allows for intermediate capture of DNA after cell lysis but before PCR amplification.

In this scenario, following capture and lysis, the extracted DNA can be electrophoretically driven into the cleanup chamber for storage by adsorption to carboxyl beads. The purified DNA can be released from the clean-up chamber using heat or variations in ionic strength and electrophoretically transported into the PCR chamber for amplification. Once the DNA from the lysed cells is presented to the chamber with PCR buffer, PCR can be performed directly on the released genetic material using the microfabricated heater and temperature sensor.

It should be noted that in some instances, the combined use of a single chamber for both capture and PCR is problematic because of complexity or PCR inhibition. In these particular instances, the two stages can simply be separated. In some examples, this may be done if the presence of the capture matrix or beads inhibits the PCR reaction or if the input sample brings in PCR inhibitors that can not be washed out or neutralized. In this case, the released DNA could be pumped or electrophoresed from the lysed bacteria in the capture chamber to a separate PCR reactor for analysis.

Upon completion of PCR, the amplicons can be directly injected onto a CE microchannel for separation and detection, either using intercalating dye in the separation matrix or fluorescently labeled primers and a denaturing separation matrix depending on the desired resolution. In some instances, a DNA clean-up chamber is introduced to desalt and concentrate the amplified DNA prior to injection onto the CE microchannel. Clean-up is accomplished by electrophoresing the amplified DNA into the clean-up chamber where it is bound to carboxylated beads or to an oligonucleotide capture matrix (capture oligos complementary to the desired targets). Binding followed by washing and temperature dependent release using a micro heater is followed by electrophoresis of the concentrated and desalted PCR amplicons through the injection cross of the CE microchannel for separation and detection.

The device configuration for using monolithic membrane valves to build a pathogen detection and analysis system can be varied substantially. FIG. 13A is a diagrammatic representation showing one example of a design for the pathogen detection and analysis system. The design includes three glass layers, including a channel layer **1303**, a via layer **1305**, and a manifold layer **1309**. A PDMS membrane layer is provided between a via layer **1305** and a manifold layer **1309**. The manifold layer **1309** includes mechanisms allowing vacuum pressure to be applied to the membrane **1307** to allow control of valve mechanisms.

Electrical connections are provided on a layer **1301** and a manifold chuck layer is included at layer **1311**. The channel layer **1303** includes the immunocapture/PCR/clean-up chambers and CE microchannels; as well as the heaters on the top surface of the wafer. According to various embodiments, the channel layer **1303** is thermally bonded to a thin glass wafer **1305** containing drilled glass holes that act as valve vias. A PDMS valve/pump membrane **1307** is either reversibly or irreversibly bonded to this multiple layer stack. The bottom etched manifold layer **1309** conveys vacuum or pressure to the valves and pumps on the device.

The use of existing thin film technology to create the temperature control elements presents a viable first approach to construction of test devices. However, the fabrication complexity of the device can be reduced through the use of indium

tin oxide (ITO) heaters. ITO heaters are noted, for their low resistivity, optical transparency, and compatibility with glass substrates. These heaters can be deposited on the same wafer as the temperature sensors, obviating the need for backside fabrication and electroplating to form the heaters. The heaters can be placed directly within the chambers for optimal thermal transfer or they can be placed against the chambers to conduct thermal energy through a glass wafer. The optical transparency of ITO also allows routing of electrical heater leads over fluid microchannels without interfering with visualization or detection of sample or PCR amplicons.

FIG. 13B is a diagrammatic representation showing a microfabrication process according to various embodiments. Microfabrication processes are shown at 1381 and 1383. In some examples, glass wafers (550 μm thick D263 available from Schott of Yonkers, N.Y.) are cleaned before sputter deposition of a 2000 \AA layer of amorphous silicon on one side by DC magnetron sputtering available from UHV Sputtering of San Jose, Calif.). Photoresist available from Shipley 1818 of Marlborough, Mass. is spun on and photolithographically patterned using a contact aligner available from Karl Suss of Waterbury Center, Vt. and the underlying silicon etch mask can be selectively removed using SF6 in a parallel-plate reactive ion etching (RIE) system available from Plasma Therm of St. Petersburg, Fla.

In some examples, the fluidic channels, electrophoresis channels, and PCR chambers are etched to a depth of 36 μm in 49% hydrofluoric acid. Reservoir access holes (1.5 mm diameter) and fluidic via holes (0.020" diameter) for the PDMS valves are drilled using a CNC mill available from Flashcut CNC of Menlo Park, Calif. with diamond-tipped drill bits. The wafer is then diced using a wafer dicing saw to form two 20 mm \times 75 mm slides.

To form the RTDs and electrodes, a 550 μm -thick D263 wafer can first be sputtercoated with 200 \AA of Ti and 2000 \AA of Pt (UHV). Thick photoresist available from Shipley (SJR 5740) of Marlborough, Mass. is spun on and patterned using a contact aligner available from Suss Microtec of Waterbury Center, Vt. According to various embodiments, the photoresist is hard baked at 70° C. for 2 hours. The metal can be etched using hot aqua regia (3:1 HCl:HNO₃, 90° C.) to form the RTD elements. The integrated heaters are formed by first depositing a multi-layer thin film of 200 \AA of Ti and 2000 \AA of Pt on the backside of the RTD wafer using RF sputtering available from Perkin Elmer of Wellesley, Mass. Thick photoresist is spun on the side, the wafer is patterned using a backside contact aligner (Suss), and hard baked. Gold is electrodeposited onto the Ti/Pt seed layer at 4.3 mA/cm² for 23 minutes to a 5 μm thickness using a gold sulfite plating solution available from Technic (TG 25 E) of Anaheim, Calif. to form the heater leads.

According to various embodiments, the photoresist is removed and the backside is re-patterned using thick photoresist. The heating elements are etched into the Ti/Pt seed layer using an ion beam etching system available from Veeco Instruments of Plainview, N.Y. The RTD/heater wafer is diced into two 25 mm \times 75 mm slides (Disco). In some examples, the drilled channel wafer is thermally bonded to the RTD/heater wafer using a programmable vacuum furnace available from Centurion VPM, J. M. Ney, of Yucaipa, Calif.

Although, a single immunocapture, PCR, and CE system can be included on a substrate, the techniques of the present invention recognize that it may be efficient to develop a parallel immunocapture, PCR, and CE system for use in clinical diagnostics. In one example, a portable pathogen analyzer includes three serial immunocapture/PCR systems targeted towards the detection of three different pathogens in a sample.

The parallelization of the fluidics control systems, electrical circuitry for heaters, temperature sensors and electrophoresis for three systems is straightforward and a single microscope slide has sufficient surface area to fabricate three fully parallel systems.

In another example, a massively parallel immunocapture/PCR system for use in clinical diagnostics is provided. The ability to analyze multiple distinct agents across multiple individuals or groups of individuals provides a powerful method for identifying and epidemiologically tracking infectious agents. FIG. 14 is a diagrammatic representation of a portion of a radially parallel immunocapture/PCR device 1400. Any system or device having multiple immunocapture and DNA analysis mechanisms arranged about a circular axis is referred to herein as a radially parallel device.

According to various embodiments, the design includes an array of pairs of analyzers each of which includes a unique immunocapture/PCR chamber 1423 integrated with a CE analyzer. The sample travels serially through all chambers within a given subset of the device, allowing for serial capture of multiple agents. Separate subsets 1401, 1403, 1405, 1407, 1409, 1411 of the device are capable of analyzing different substances in parallel. Reservoirs 1447 and 1445 provide bead input and bead waste. Reservoirs 1443 and 1441 are the common capillary electrophoresis cathode reservoir and waste reservoir, respectively.

The chambers are interconnected for cascaded immunoaffinity capture. Valves 1431 and 1433 seal the chamber on the cascade loop. Valves 1435 and 1437 seal the chamber from bead introduction and waste channels. CE microchannels are connected to a common central anode for detection using a proven rotary confocal fluorescence scanner (not shown). A parallel array of combined capture chambers 1423 and heaters with leads 1451 and the development of robust arrays of valves and pumps are provided. Since the heaters and temperature sensors associated with chambers 1423 are operating in parallel on the analysis channels, the use of simple ring heaters are more than adequate. Thus the individual heaters and temperature sensors are no longer necessary for providing an efficient and effective parallel pathogen detection system.

Although many of the components and processes are described above in the singular for convenience, it will be appreciated by one of skill in the art that multiple components and repeated processes can also be used to practice the techniques of the present invention.

While the invention has been particularly shown and described with reference to specific embodiments thereof, it will be understood by those skilled in the art that changes in the form and details of the disclosed embodiments may be made without departing from the spirit or scope of the invention. For example, the embodiments described above may be implemented using a variety of materials. Therefore, the scope of the invention should be determined with reference to the appended claims.

What is claimed is:

1. A microfluidic structure comprising:

a plurality of diaphragm valves that control fluid flow along each of a plurality of fluidic channels, said fluidic channels each comprising a discontinuity and wherein the microfluidic structure comprises an elastomer membrane sandwiched between a pneumatic layer and a fluidic layer, wherein:

the pneumatic layer comprises a first surface including at least one pneumatic channel facing the membrane and valve areas aligned with said fluidic channel discontinuities;

19

the fluidic layer comprises a second surface including the plurality of fluidic channels facing the membrane; the elastomeric membrane normally prevents fluid flow across the fluidic channel discontinuities; and a vacuum to the at least one pneumatic channel causes the membrane to deflect to allow a flow of a fluid across the fluidic channel discontinuities, thereby forming the plurality of diaphragm valves.

2. The microfluidic structure of claim 1, wherein the first and second layers are glass.

3. The microfluidic structure of claim 1, wherein the membrane is gas permeable.

4. The microfluidic structure of claim 1, further comprising additional surfaces and membranes in fluidic communication with the microfluidic structure through a plurality of vias.

5. The microfluidic structure of claim 4, wherein the additional surfaces have additional channels to provide paths for fluid flow.

6. The microfluidic structure of claim 1, wherein the fluidic layer includes a plurality of vias operable to provide paths for fluid flow through the fluidic layer.

7. The microfluidic structure of claim 1 configured as part of one or more pumps, wherein each pump comprises three diaphragm valves in series and comprising an input valve, a displacement valve, and an outlet valve, wherein each diaphragm valve is actuated by a different pneumatic channel and the three diaphragm valves are independently activated in a sequence designed to move fluid through the pump.

8. The microfluidic structure of claim 7, wherein one or more of the pumps is used to form a multi-directional fluidic router, said router comprising one central displacement valve in fluid communication with one or more input valves and one or more outlet valves.

20

9. The microfluidic structure of claim 7 configured as a mixer, wherein the input valves and output valves of the pump are each connected to admission channels to form a mixer wherein mixing is accomplished by actuating the three diaphragms in a sequence to pump the fluid in a loop or back and forth.

10. The microfluidic structure of claim 1 wherein the pneumatic layer comprises a pneumatic channel comprising a displacement chamber wherein deflection of the membrane forms a fluid reservoir in the fluidic channel.

11. The microfluidic structure of claim 10, wherein mixing is accomplished by moving a fluid between two reservoirs.

12. The microfluidic structure of claim 10, wherein reservoirs in each of a plurality of the fluidic channels are connected by a fluidic bus.

13. The microfluidic structure of claim 10, wherein the reservoir has one or more inputs and is operable as a reactor.

14. The microfluidic structure of claim 1 wherein one pneumatic channel actuates a plurality of diaphragm valves that control fluid flow in a plurality of different fluidic channels.

15. The microfluidic structure of claim 1 wherein different pneumatic channels each actuate a diaphragm valve that controls fluid flow in different fluidic channels.

16. The microfluidic structure of claim 1, wherein the first and second layers are plastic.

17. The microfluidic structure of claim 1 wherein the membrane is PDMS.

18. The microfluidic structure of claim 1 wherein the pneumatic layer further comprises one or more pneumatic ports to supply vacuum to the pneumatic channel.

* * * * *