

 Open access • Journal Article • DOI:10.12928/TELKOMNIKA.V15I11.3484

## High Sensitivity Very Low Frequency Receiver for Earthquake Data Acquisition

— [Source link](#) 

Achmad Munir, Kusmadi Kusmadi, Kusnandar Kusnandar, Asep Najmurrokhman ...+2 more authors

**Institutions:** Bandung Institute of Technology

**Published on:** 01 Mar 2017 - TELKOMNIKA Telecommunication Computing Electronics and Control

**Topics:** Radio receiver design, Very low frequency, Sensitivity (electronics), Personal computer and Data acquisition

Related papers:

- [Research of All-around Digital Receiver Based on Very Low Frequency Remote-Controlled Naval Mine](#)
- [Software of the system for long-term ionospheric monitoring in very low frequency range](#)
- [Study on Front-End Receiver for S-band Active Phased Array Radar](#)
- [High-frequency ground-wave radar multi-frequency-range signal coherent receiver](#)
- [Design of an Ultrawideband Ionosonde](#)

Share this paper:    

View more about this paper here: <https://typeset.io/papers/high-sensitivity-very-low-frequency-receiver-for-earthquake-52pae47kxc>

## High Sensitivity Very Low Frequency Receiver for Earthquake Data Acquisition

Achmad Munir<sup>\*1</sup>, Kusmadi<sup>2</sup>, Kusnandar<sup>3</sup>, Asep Najmurokhman<sup>4</sup>, Chairunnisa<sup>5</sup>, Sunubroto<sup>6</sup>

<sup>1,2,5</sup>Radio Telecommunication and Microwave Laboratory, School of Electrical Engineering and Informatics, Institut Teknologi Bandung, Jalan Ganesha 10 Bandung, 40132, Indonesia, Phone: +62-22-2501661

<sup>3,4,6</sup>Department of Electrical Engineering, Faculty of Engineering, Universitas Jenderal Achmad Yani, Jalan Terusan Jendral Sudirman, Cimahi, 40633, Indonesia, Phone: +62-22- 6656190

\*Corresponding author, e-mail: munir@ieee.org

### Abstract

A high sensitivity very low frequency (VLF) receiver is developed based on AD744 monolithic operational amplifier (Op-Amp) for earthquake data acquisition. In research related natural phenomena such as atmospheric noise, lightning and earthquake, a VLF receiver particularly with high sensitivity is utterly required due to the low power of VLF wave signals received by the antenna. The developed receiver is intended to have high sensitivity reception for the signals in frequency range of 10-30kHz allocated for earthquake observation. The VLF receiver which is portably designed is also equipped with an output port connectable to the soundcard of personal computer for further data acquisition. After obtaining the optimum design, the hardware realization is implemented on a printed circuit board (PCB) for experimental characterization. It shows that the sensitivity of realized VLF receiver is almost linear in the predefined frequency range for the input signals lower than -12dBm and to be quadratic for the higher level input signals.

**Keywords:** data acquisition, earthquake, high sensitivity, VLF receiver

Copyright © 2017 Universitas Ahmad Dahlan. All rights reserved.

### 1. Introduction

Very low frequency (VLF) waves due to their wavelength can diffract around large obstacles and can propagate as ground waves following the curvature of the earth. VLF waves which also preferred as myriametre waves are, in general, produced by a variety of natural phenomena. Atmospheric noise, lightning, and earthquake are some of the phenomena that dominantly generate VLF waves in nature where the impulses travel at the distance along the magnetic field lines of earth from one hemisphere area to the other [1]. VLF waves can also be man-made generated using electronic devices for numerous applications such as for government radio station and military communication [2]. Some radio transmitters operate using VLF waves around frequency range of 15-30kHz are used mainly for marine navigation, communication with submersed submarines, and other research purposes [2-3]. A recent research related underwater sensor network (UWSN) has been reported by employing VLF of 7kHz as a carrier frequency [4]. Meanwhile, the use of VLF waves has also been implemented to characterize the subsurface of earth in some region and to control the ultrasonic motor through the pulse width modulation control method [5-6]. Some research projects that use VLF waves which has been recently investigated intensively are Atmospheric, Weather, Electromagnetics System for Observation, Modeling, and Education (AWESOME) and Sudden Ionospheric Disturbance (SID) [7-11].

Basically, VLF waves with the radio spectrum extends from 3-30kHz has a capability to achieve very long distance and is easily influenced by the condition of ionosphere. It is one of reasons why VLF waves are commonly applied in researches related with natural phenomena. However, as is already known that standard communication receivers rarely receive the signals in such low frequency. Moreover, the use of common antennas will be ineffective due to the very long dimension of its wavelength which ranges from 10km to 100km. Therefore to compensate an unavoidable matter influenced by natural phenomena especially for research with VLF waves, a high performance equipment of VLF receiver is absolutely required. In recent

times, some researches related seismo-electromagnetic field have utilized VLF waves associated with earthquake as detected by the sub-ionospheric radio signal for earthquake precursor [12-15]. The essential factor in such researches is the reliability of receiver system in maintaining the process of data acquisition with high fluctuated level of received VLF signals. It should be noted that the level of received VLF signals are less than few microwatts. Thus, it is necessary to ensure that VLF signals arriving at the receiver can be further processed for data acquisition without defecting the important information contained in the signals. Here, a VLF receiver with high sensitivity is one of the important front-end devices required for earthquake data acquisition.

According to the requirement above, a high sensitivity VLF receiver is proposed to be designed for earthquake data acquisition. The VLF receiver which is intended to operate at frequency range of 10-30kHz is developed from the previous work based on a high sensitivity AD744 monolithic operational amplifier (Op-Amp) as a main component to achieve the requirement [11]. Two frequencies of VLF transmitters spread around the world which are frequently used in research of VLF waves associated with earthquake, i.e. VTX transmitter at India works at frequency of 18.2kHz and NWC transmitter at Australia operates at frequency of 19.8kHz, will be used as a basis on the development of VLF receiver. Furthermore, the VLF receiver is also expected to produce high gain output signal along the desired frequency range. Therefore, sensitivity and gain will be paid more attention in the development process. In addition, the VLF receiver is also designed to be portable and connectable to the soundcard of personal computer for data acquisition process.

## 2. Design of VLF Receiver

In general, as shown in block diagram of Figure 1, the input VLF signals radiated from some VLF transmitters are received by the antenna. Since the level of received signals is almost in few microwatts or less, hence a VLF receiver should possess high sensitivity and high gain characteristic to process the received signals to have an acceptable level for further processing. The output signals are supposed to be buffered before being transformed into a specific signal required by personal computer for data acquisition process. In most cases, there are several parameters of VLF receiver that should be taken into account in the design process including gain, linearity, sensitivity and noise figure. However, among those parameters, sensitivity and gain will be paid more attention due to their important roles in determining the performance of VLF receiver.

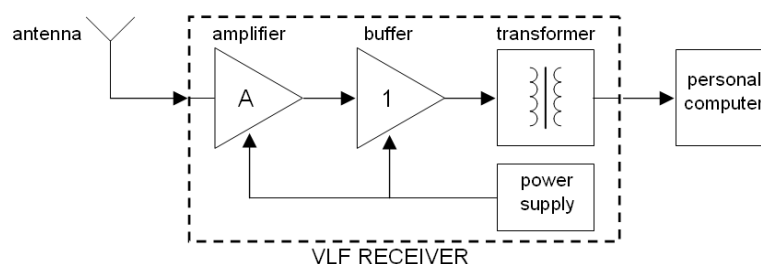


Figure 1. Block diagram of VLF receiver for earthquake data acquisition

In order to acquire the design requirement, a high sensitivity AD744 Op-Amp is employed in the design for developing VLF receiver [16]. The choice of AD744 monolithic Op-Amp as a front-end receiver component is based on fact that the AD744 Op-Amp offers the excellent dc characteristics with enhanced settling, slew rate and bandwidth. Furthermore, the Op-Amp is also equipped with internal compensation in yielding stable operation whether as a unity gain inverter or as a non-inverting amplifier with a gain of two or greater. In addition, the AD744 Op-Amp provides the option of using custom compensation to achieve exceptional capacitive loading drive capability. The overall schematic diagram of VLF receiver developed using a monolithic AD744 Op-Amp is illustrated in Figure 2 with the value of each component is summarized in Table 1.

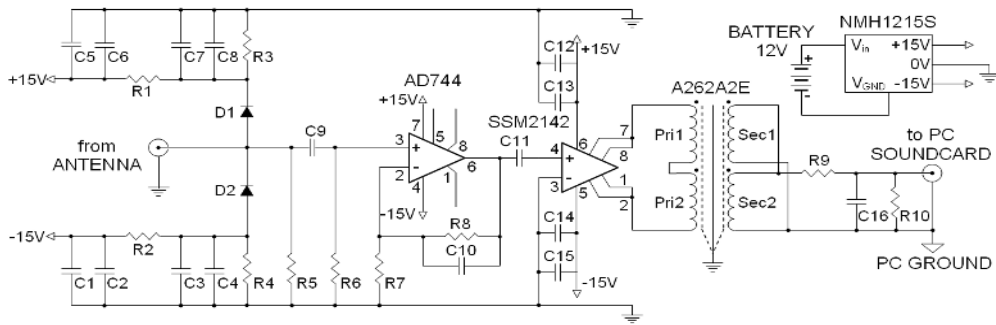


Figure 2. Schematic Diagram of VLF Receiver Developed using an AD744 Monolithic Op-Amp

As shown in Figure 2, VLF signals from antenna is coupled through  $C_9$  and amplified using a voltage follower of AD744 amplifier in which the gain of amplifier is determined from the ratio of  $R_8$  and  $R_7$  as expressed in Equation (1). In this case,  $C_9$  also acts as a highpass filter together with  $R_6$  to avoid interferences from the dc current. A pair of  $D_1$  and  $D_2$  is connected to the RC filter to protect the amplifier from surge voltages coming from input signals. A stable operation of amplifier with external compensation for a capacitive loading is achieved by connecting  $C_{10}$  in parallel with  $R_8$ . The recommended values of  $R_7$ ,  $R_8$  and  $C_{10}$  along with expected slew rate and bandwidth for various gain and load are tabulated in Table 2 [16].

$$Gain = 1 + \frac{R_8}{R_7} \tag{1}$$

Table 1. Value of Each Component for VLF Receiver

Diodes		Resistors		Capacitors	
$D_1$	1N4148	$R_1$	4k7 $\square$	$C_1$	100nF
$D_2$	1N4148	$R_2$	4k7 $\square$	$C_2$	10 $\square$ F
-	-	$R_3$	10k $\square$	$C_3$	100nF
-	-	$R_4$	10k $\square$	$C_4$	10 $\square$ F
-	-	$R_5$	10M $\square$	$C_5$	100nF
-	-	$R_6$	100M $\square$	$C_6$	10 $\square$ F
-	-	$R_7$	500 $\square$	$C_7$	100nF
-	-	$R_8$	10k $\square$	$C_8$	10 $\square$ F
-	-	$R_9$	4k7 $\square$	$C_9$	100nF
-	-	$R_{10}$	220 $\square$	$C_{10}$	470pF
-	-	-	-	$C_{11}$	100pF
-	-	-	-	$C_{12}$	100nF
-	-	-	-	$C_{13}$	10 $\square$ F
-	-	-	-	$C_{14}$	100nF
-	-	-	-	$C_{15}$	10 $\square$ F
-	-	-	-	$C_{16}$	33nF

Table 2. Values of  $R_7$ ,  $R_8$  and  $C_{10}$  for Various Gain and Load

$R_7$ ( $\square$ )	$R_8$ ( $\square$ )	$C_{10}$ (pF)	Gain	Slew rate (V/ $\square$ S)	-3dB Bandwidth (kHz)
4990	4990	50	2	75	2500
4990	4990	150	2	37	2300
4990	4990	1000	2	14	1200
499	4990	270	11	75	1200
499	4990	390	11	50	850
499	4990	1000	11	37	600

The output of AD744 amplifier is then buffered using a balanced line driver of SSM2142 to obtain a balanced output signal pair with high impedance output. Here, the choice of SSM2142 balanced line driver is based on its performance in the solution of fully balance transformer-based for line driving. Moreover, the SSM2142 balanced line driver maintains lower

distortion and occupies much less board space than transformers while achieving comparable common-mode rejection performance with reduced parts count [17]. Hence, from a cross-coupled electronically balanced topology, the SSM2142 mimics the performance of fully balanced transformer-based solutions for line driving. An output signal obtained from the SSM2142 balanced line driver is then fed into the audio transformer of A262A2E where its output is connectable to the soundcard of personal computer for further data acquisition. Since both active components require a symmetrical bias voltage to work properly, therefore an NMH1215S dc-dc converter is employed to produce symmetrical bias voltage converted from a dc 12V battery [18].

### 3. Realization and Characterization

From the optimum result of design, the prototype is then realized on a printed circuit board (PCB) for experimental characterization. The layout diagram of PCB which is constructed based on the schematic diagram and its components placement are shown in Figure 3. Meanwhile, Figure 4 shows the picture of realized VLF receiver deployed on a PCB with the dimension of 64mm (length) x 56.7mm (width). To obtain the construction of VLF receiver portably, all parts of receiver including a dc 12V dry battery, PCB, wiring cables, switches and sockets for personal computer are placed in a closed metal box as shown in Figure 5. The metal box takes the dimension of 160mm (length) x 96mm (width) x 53mm (height). Finally, the experimental characterization is performed using a signal generator and a spectrum analyzer to characterize some parameters of realized VLF receiver including sensitivity and gain in the frequency range of 10-30kHz. It is noticeable that the frequency range above is chosen to match the real application.

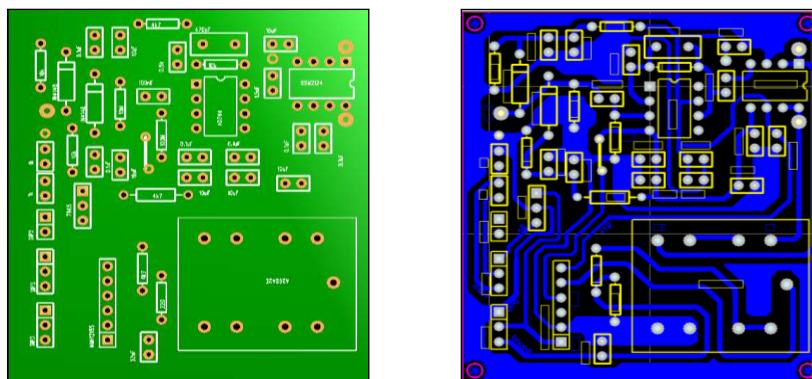


Figure 3. Layout Diagram of PCB based on Schematic Diagram and its Components Placement; Top Layer (left); Bottom Layer (right)

The characterization results for sensitivity and gain are depicted in Figures 6 and 7, respectively. The sensitivity of realized VLF receiver shown in Figure 6 is characterized by setting the input signal generator for some different frequencies, meanwhile the gain plotted in Figure 7 is measured with the input signal generator varied from -30dBm up to 0dBm. In the sensitivity measurement, the input and output signals are measured at 10kHz, 17kHz, 18kHz, 19kHz, 20kHz, and 30kHz. From the sensitivity result shown in Figure 6, it is seen that the realized VLF receiver has almost linear sensitivity for the input signal lower than -12dBm and quadratic sensitivity for the input signal higher than -12dBm. The sensitivity of realized receiver is also invulnerable for as the variation of input signal frequency. Hence, it is a beneficial in processing VLF signals with different frequencies. The measured result shows that the input signal less than -25dBm around frequency range of 18-20kHz is still detectable by the receiver which is indicating high sensitivity of realized VLF receiver.



Figure 4. Picture of Realized VLF Receiver Deployed on a PCB

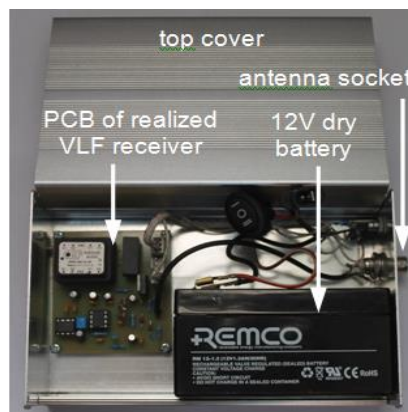


Figure 5. Realized Portable VLF Receiver Constructed in a Closed Metal box

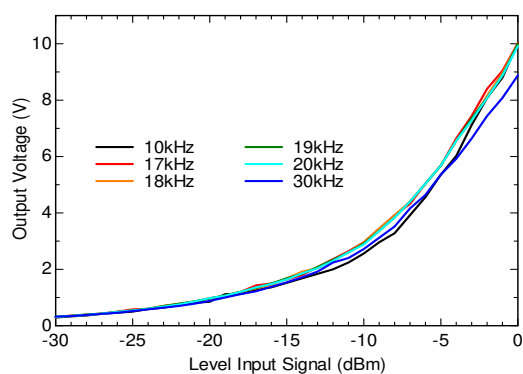


Figure 6. Measured Sensitivity of Realized VLF Receiver

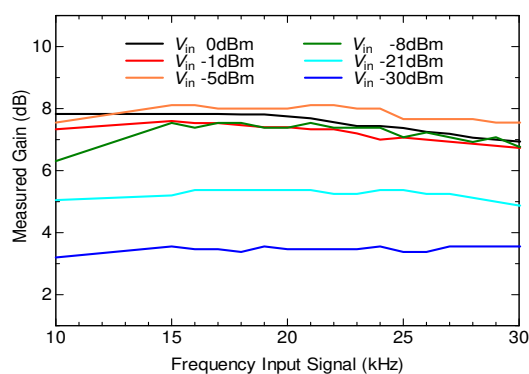


Figure 7. Measured Gain of Realized VLF Receiver

Meanwhile from the measured gain plotted in Figure 7, the gain performance of realized VLF receiver has satisfied the requirement for frequency range of 10-30kHz with the maximum gain of 8dB for the input signal around -5dBm. It shows that the measured gain tends to be linear for the input signal above than -8dBm and lowers for the input signal less than -8dBm. This is in contrast with the measured sensitivity for the same range of input signal which is probably evoked by the characteristic of Op-Amp itself. Although there is some fluctuation of output signal in the frequency range below 15kHz for the input signal of -8dBm, in general the gain of realized amplifier is almost flat for various frequency ranges of input signal. Therefore, from the measured results of sensitivity and gain, it can be inferred that the realized VLF receiver is implementable to process the received VLF signals.

#### 4. Conclusion

A high sensitivity VLF receiver for earthquake data acquisition has been developed based on an AD744 monolithic Op-Amp. The realized VLF receiver which was constructed portably and equipped with an output port connectable to a personal computer has been measured experimentally for characterizing its sensitivity and gain. It has been demonstrated that the measured sensitivity was high enough to receive the small input signal up to -30dBm. Meanwhile the gain performance of realized VLF receiver has satisfied the requirement for the frequency range of 10-30kHz. Although the experimental characterizations have been still carried out in the laboratory instead of in the field measurements; however the measured results have shown that the realized VLF receiver is applicable for processing the received signals from VLF transmitters.

## Acknowledgements

This work is partially supported by the 2014 Collaboration between High Education Institutions Research Grant (Hibah PEKERTI) Contract No. 1107/K4/KM/2014 from Ministry of Research, Technology, and Higher Education, the Republic of Indonesia.

## References

- [1] Hughes ARW, Ferenez C, Gwal AK. Very Low Frequency (VLF) Phenomena. New Delhi: Narosa Publishing House. 2003.
- [2] Ghosh SN. Electromagnetic Theory and Wave Propagation. Second Revised Edition. Alpha Science International Ltd. 2002.
- [3] Chakrabarti SK. *Propagation Affects of Very Low Frequency Radio Waves*. Proceedings of the 1<sup>st</sup> International Conference on Science with Very Low Frequency Radio Waves: Theory and Observations. New York: American Institute of Physics. 2010.
- [4] Bahrami N, Khamis NHJ, Baharom A, Yahya A. Underwater Channel Characterization to Design Wireless Sensor Network by Bellhop. *TELKOMNIKA*. 2016; 14(1).
- [5] Purwanto EH, Minarto E, Bahri AY. Aplikasi Metode Very Low Frequency Electromagnetic (VLF-EM) untuk Karakteristik Bawah Permukaan di Daerah Kapur Desa Melirang Kecamatan Bungah Kabupaten Gresik. *Jurnal Fisika Indonesia*. 2015; 19(56): 38-41.
- [6] Jingzhuo S, Caixia Z. Low-Frequency Pulse Width Modulation Control Methods of Ultrasonic Motor. *TELKOMNIKA*. 2013; 11(9): 5150-5160.
- [7] Scherrer D, Cohen M, Hoeksema, Inan U, Mitchell R, Scherrer P. Distributing Space Weather Monitoring Instruments and Educational Materials Worldwide for IHY 2007: The AWESOME and SID Project. *Advances in Space Research*. 2008; 42: 1777-1785.
- [8] Cohen MB, Inan US, Paschal EW. Sensitive Broadband ELF/VLF Radio Reception With the AWESOME Instrument. *IEEE Transactions on Geoscience and Remote Sensing*. 2010; 48(1): 3-17.
- [9] Singh R, Veenadhari B, Cohen MB, Pant P, Singh AK, Maurya AK, Vohat P, Inan US. Initial Results from AWESOME VLF Receivers: Set Up in Low Latitude Indian Regions under IHY2007/UNBSSI Program. *Current Science*. 2010; 98(3): 398-405.
- [10] Putera R, Kusnandar, Najmurrokhman A, Sunubroto, Chairunnisa, Munir A. *High Gain RF Amplifier for Very Low Frequency Receiver Application*. Proceeding of 6<sup>th</sup> International Conference on Information Technology and Electrical Engineering (ICITEE). Yogyakarta. 2014: 199-202.
- [11] Kusnandar, Kusmadi, Najmurrokhman A, Sunubroto, Chairunnisa and Munir A. *Development of High Sensitivity Amplifier for VLF Receiver Application*. Proceeding of 5<sup>th</sup> International Conference on Electrical Engineering and Informatics (ICEEI). Denpasar. 2015: 328-331.
- [12] Hayakawa M, Kasahara Y, Nakamura Y, Hobara Y, Rozhnoi A, Solovieva M, Molchanov OA. On The Correlation Between Ionospheric Perturbations as Detected by Subionospheric VLF/LF Signals and Earthquakes as Characterized by Seismic Intensity. *Journal of Atmospheric and Solar-Terrestrial Physics*. 2010; 70: 982-987.
- [13] Brijraj S, Collier AB. *Investigation of Anomalous Perturbations in VLF Signals and Correlation with Seismic Activity*. Proceeding of XXX<sup>th</sup> URSI General Assembly and Scientific Symposium (URSI GASS). Istanbul. 2011: 1-4.
- [14] Biagi PF, Righetti F, Maggipinto T, Schiavulli L, Ligonzo T, Ermini A, Moldovan IA, Moldovan AS, Silva HG, Bezzeghoud M, Contadakis ME, Arabelos DN, Xenos TD, Buyuksarac A. Anomalies Observed in VLF and LF Radio Signals on the Occasion of the Western Turkey Earthquake (Mw = 5.7) on May 19, 2011. *International Journal of Geosciences*. 2012; 3(4A): 856-865.
- [15] Mullayarov V, Druzhin G, Argunov V, Abzaletdinova L, Mel'nikov A. Variations of VLF Radio Signals and Atmospherics During The Deep Earthquake With M = 8.2 Occurred on 24 May 2013 Near Kamchatka Peninsula. *Natural Science*. 2014; 6(3): 144-149.
- [16] Analog Devices. Precision, 500ns Settling BiFET Op Amp. *AD744 Datasheet*. Rev. C. 2000.
- [17] Analog Devices. Balanced Line Driver. *SSM2142 Datasheet*. Rev. C. 2011.
- [18] CD Technologies. NMH Series: Isolated 2W Dual Output DC-DC Converters. *NMH Series Datasheet*. 2001.