

IEEE 1451: A Standard in Support of Smart Transducer Networking

Kang Lee

National Institute of Standards and Technology

100 Bureau Drive Stop 8220

Gaithersburg, Maryland 20899-8220 USA

Phone: (301) 975-6604, Fax: (301) 990-3851, E-Mail: kang.lee@nist.gov

Abstract

The IEEE (Institute of Electrical and Electronics Engineers) 1451 smart transducer interface standards provide the common interface and enabling technology for the connectivity of transducers to microprocessors, control and field networks, and data acquisition and instrumentation systems. The standardized Transducer electronic Data Sheet (TEDS) specified by IEEE 1451.2 allows the self-description of sensors and the interfaces provide a standardized mechanism to facilitate the “plug and play” of sensors to networks. The network-independent smart transducer object model defined by IEEE 1451.1 allows sensor manufacturers to support multiple networks and protocols. Thus, transducer-to-network interoperability is on the horizon. The inclusion of P1451.3 and P1451.4 to the family of 1451 standards will meet the needs of the analog transducer users for high-speed applications. In the long run, transducer vendors and users, system integrators, and network providers can all benefit from the IEEE 1451 interface standards.

1. Introduction

The marketplace is demanding devices, appliances, and systems with better capabilities and higher levels of functionality. Sensors, used in these devices and systems to provide information on the parameters being measured or to identify the states of control, are good candidates for increased built-in intelligence. Microprocessors can make smart sensors or devices a reality. With this added capability, it is possible for a smart sensor to directly communicate measurements to an instrument or a system. In recent years, the concept of computer networking has gradually migrated into the sensor community. The networking of transducers (sensors or actuators) in a system can provide flexibility, improve system performance, and ease system installation, upgrade, and maintenance.

This paper briefly discusses the significance of the newly adopted IEEE 1451.1 [1] and 1451.2 [2] standards, along with the proposed IEEE P1451.3 and P1451.4 [3] standards being developed, for networking smart transducers [4]. It also briefly discusses the standardized digital interfaces and communication protocols as well as the networked smart transducer model. An application model of the IEEE 1451 standards in distributed measurement and control applications is also addressed.

The sensor market, which is expected to grow to \$43 billion by 2008, is extremely diverse. Sensors are used in most industries and are going global [5]. In this very competitive market, sensor manufacturers are seeking ways to add new technology to build low-cost, smart sensors that meet the continuous demand for more sophisticated applications and ease of use. Networking is becoming pervasive in various industrial settings. It is causing a major shift in the measurement arena. In any application, decisions about the use of sensors, networks, and application software can all be made independently, based on the application requirements. In reality, however, all these function modules cannot be easily integrated due to the lack of a set of common interfaces.

2. The Smart Transducer Interface Projects

A typical sensor or control network consists of network nodes comprised of up to 256 units linked by multi-wire cables. Each network node contains a microprocessor device. A sensor or multiple sensors can be connected to each node through an electronic interface. Every network on the market has its own custom-designed interface for sensors. Sensor manufacturers have to expend tremendous efforts to support numerous networks and protocols. The purpose of the IEEE P1451 project, Standards for Smart Transducer Interface for Sensors and Actuators, is to define a set of common interfaces for connecting transducers to microprocessor-based systems, instruments, and field networks in a network-independent fashion [6].

The IEEE P1451 project is divided into four subprojects, which were charged with defining hardware and software standardized methods to support smart sensor and network connectivity. The specifications developed place no restrictions on the use of signal conditioning and processing schemes, analog-to-digital converters, microprocessors, network protocols, and network communication media. Using this approach, the IEEE P1451 project's aim is to reduce industry's effort to develop and migrate to networked smart transducers. The ultimate goals of this family of standards are to provide the means for achieving transducers-to-network interchangeability and transducer-to-networks interoperability. During the standards development process, this idea was implemented in prototype interfaces with various sensors that could plug and play with different control

networks – DeviceNet**, LonWorks, and Smart Distributed System (SDS) as shown in Figure 1.

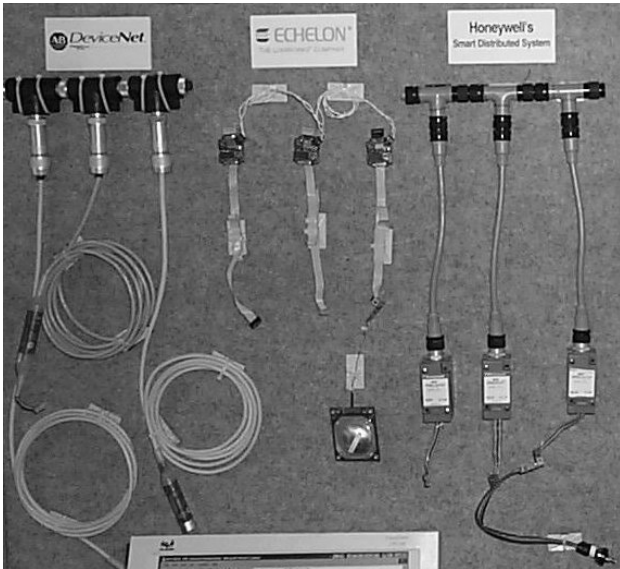


Figure 1. Sensors plug-and-play to different control networks with the proposed interfaces

2.1 IEEE 1451.2 - Transducer-to-Microprocessor Communication Interface

The IEEE 1451.2 project defines a Transducer Electronic Data Sheet (TEDS) and its data format, along with a 10-wire digital interface and communication protocol between transducers and a microprocessor [7]. The framework of the IEEE 1451.2 interface is shown in Figure 2. The TEDS, stored in a nonvolatile memory, contains fields that describe the type, attributes, operation, and calibration of the transducer. With a requirement of only 178 bytes of memory for the mandatory data, the TEDS is scalable. A transducer integrated with a TEDS provides a feature that makes the self-description of transducers to the network possible. Since the transducer manufacturer data in the TEDS is always supplied with the transducer and this information is electronically transferred to a Network Capable Application Process (NCAP) or host, human errors associated with entering sensor parameters manually is completely eliminated. Since the manufacturer data and calibration data (optional) are stored in the TEDS, losing the transducer paper data sheet is no longer a concern. With the TEDS feature, upgrading transducers with higher accuracy and enhanced capability and replacing transducers for maintenance purposes are simply “plug and play” operations [8]. The 1451.2 interface defines the Smart Transducer Interface Module (STIM). Up to 255 sensors or actuators of various digital and analog mixes can be connected to a STIM. The STIM is connected to a network node called NCAP through the 10-wire Transducer Independent Interface (TII) using a modified Serial Peripheral Interface (SPI) protocol for data transfer.

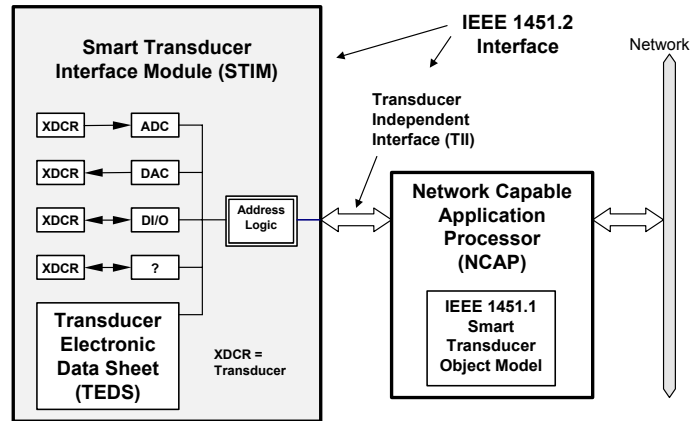


Figure 2. Framework of IEEE 1451.1 and 1451.2 Interfaces

2.2 IEEE 1451.1 – Networked Smart Transducer Model

The IEEE P1451.1 project defines a common object model for a networked smart transducer and the software interface specifications for each class representing the model [9]. Some of these classes form the blocks, components, and services of the conceptual transducer. The networked smart transducer object model encapsulates the details of the transducer hardware implementation within a simple programming model. This makes programming the sensor or actuator hardware interface less complex by using an input/output (I/O)-driver paradigm. The network services interfaces encapsulate the details of the different network protocol implementations behind a small set of communications methods. The model of the networked smart transducer is shown in Figure 3.

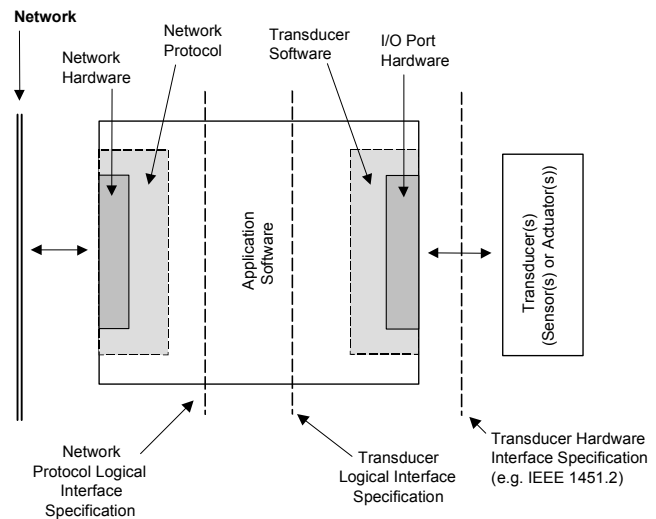


Figure 3. Networked Smart Transducer Model

2.3 IEEE P1451.3 – Distributed Multidrop System for Interfacing Smart Transducers

During the course of the development of the IEEE 1451.1 and 1451.2 standards, some sensor manufacturers and users recog-

nized the need for a standard interface for distributed multidrop smart sensor systems. In a distributed system a large array of sensors, in the order of hundreds, needs to be read in a synchronized manner. The bandwidth requirements of these sensors might be relatively high, in the order of several hundred kilohertz, with time correlation requirements in tens of nano-seconds. The IEEE P1451.3 project was created to define the specification for such a standard. The physical representation of the proposed IEEE P1451.3 standard is shown in Figure 4. A single transmission line is proposed to be used to supply power to the transducers and to provide the communications between the bus controller and the Transducer Bus Interface Modules (TBIM). A transducer bus is expected to have one bus controller and many TBIMs. A TBIM may contain one or more different transducers. The NCAP contains the controller for the bus and the interface to the network that may support many other buses.

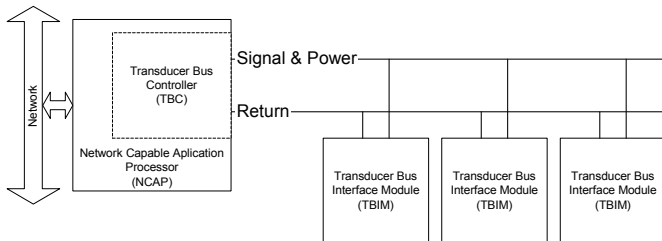


Figure 4. Physical Representation of the IEEE P1451.3

2.4 IEEE P1451.4 – Mixed-mode Transducer and Interface

In the condition-based monitoring and maintenance industry, analog transducers such as piezoelectric, piezoresistive, and accelerometer-based transducers are used with electronics instruments to measure the conditional state of machinery. Transducer measurements are sent to an instrument or computer for analysis. The ideas of having a small TEDS on the analog transducers and the ability to connect the transducers to a network have attracted transducer companies to work on the IEEE P1451.4 interface standard. An IEEE P1451.4 transducer, which could be a sensor or actuator with typically one addressable device, is referred to as a node containing a TEDS. The IEEE P1451.4 transducer may be used to sense or control multiple physical phenomena. Each phenomenon sensed or controlled is associated with a node. If more than one node is included in an IEEE P1451.4 transducer, one of the nodes must have a memory block that holds the Node-List. A Node-List contains the identifications of the other nodes. In order to reduce cabling and interfacing costs, a model using different wiring configurations is chosen as a transducer connection interface. If a single wire model is used, the analog transducer signal transmission and communication of the digital TEDS data to an instrument or a network are done on the same wire, but at separate times. If a multi-wire model is used, communication of digital data and analog signals can be accomplished

simultaneously. The digital communication can be used to read the TEDS information and to configure an IEEE P1451.4 transducer. The context of the mixed-mode transducer and its interface(s) are shown in Figure 5.

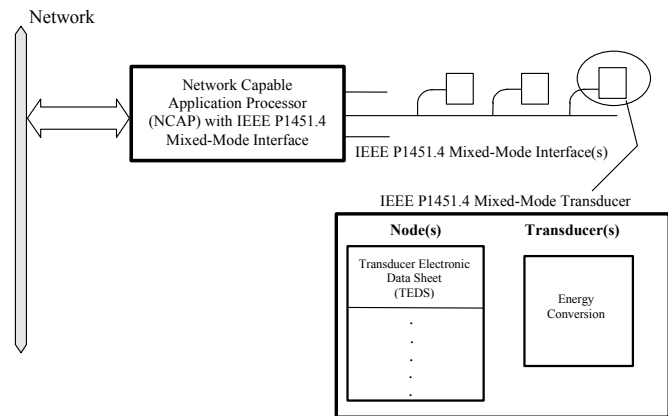


Figure 5. Context of Mixed-mode Transducer and Interface

3. An Application of IEEE 1451-based Sensors on a Network

A distributed measurement and control system can be easily designed and built based on the IEEE 1451 standards [10]. An application model of IEEE 1451 is shown in Figure 6. Three NCAP/STIMs are used for illustration purposes. In scenario one, with sensors and actuators connected to the STIM of NCAP #1, application software running in the NCAP can perform a localized control function, for example, maintain a constant temperature of a bath. The NCAP reports measured data, process information, and control status to a remote monitoring station or host. It frees the host from the processor-intensive, closed-loop control operation. In scenario two, NCAP #2, connected with sensors only, can perform remote process or condition monitoring functions, for example, monitor the vibration level of a set of bearings in a turbine. In scenario three, based on the broadcast data received from NCAP #2, NCAP #3 activates an alarm when the vibration level of the bearings exceeds a critical set point.

Ethernet has been widely used for networking computers in offices and factories for information and data exchanges. The Transmission Control Protocol/Internet Protocol (TCP/IP) used in Ethernet networks enables data transfer between computers across the Internet. Recently, instrument manufacturers are moving toward TCP/IP network interfaces. This technology has migrated into sensor networks as well. An industrial Ethernet NCAP that is IEEE 1451.2 compatible can be acquired easily to build web-based distributed measurement and control applications, which will enable the access of sensor information and measurements across the Internet [10].

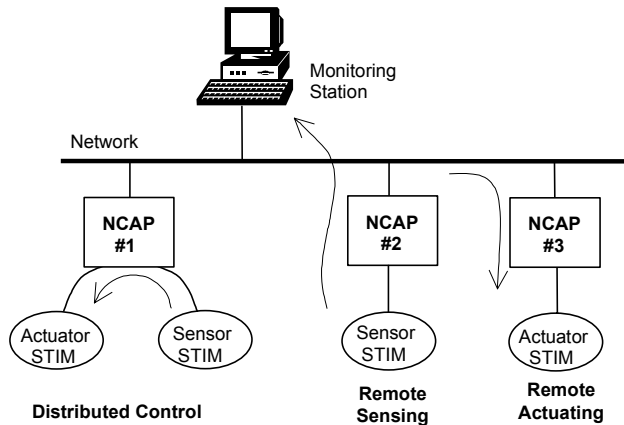


Figure 6. An Application of IEEE 1451-based Sensors on a Network

4. Summary

The IEEE 1451 smart transducer interface standards are defined to allow a transducer manufacturer to build transducers of various performance capabilities that are interoperable within a networking system. The standards, on one hand, allow for simple devices with relatively low data sampling rates and moderate time correlation requirements to be built. On the other hand, bandwidth requirements to several hundred kilohertz and time correlation requirements in the range of nanoseconds are also addressed. The IEEE 1451 standards have provided the common interface and enabling technology for the connectivity of transducers to microprocessors, control and field networks, and data acquisition and instrumentation systems. The standardized TEDS specified by IEEE 1451.2 allows the self-description of sensors. It also provides a standardized mechanism to facilitate the “plug and play” of sensors to networks. The network-independent smart transducer model defined by IEEE 1451.1 will allow sensor manufacturers to support multiple networks and protocols. Thus, transducer-to-network interoperability is on the horizon. The expanding Internet market has created a good opportunity for sensor and network manufacturers to exploit the web-based and smart sensor technologies. As a result, users will greatly benefit from many innovations and new applications.

5. Acknowledgments

The author sincerely thanks the IEEE 1451 working groups for the use of the materials in this paper. Through its program in “Sensors, Interfaces, & Networks for Metrology & Manufacturing”, the Manufacturing Engineering Laboratory of the National Institute of Standards and Technology has contributed to the development and demonstration of the IEEE 1451 standards.

6. References

1. “IEEE Std 1451.1-1999, Standard for a Smart Transducer Interface for Sensors and Actuators - Network Capable Application Processor (NCAP) Information Model,” Institute of Electrical and Electronics Engineers, Inc., Piscataway, New Jersey 08855, June 25, 1999.
2. “IEEE Std 1451.2-1997, Standard for a Smart Transducer Interface for Sensors and Actuators - Transducer to Microprocessor Communication Protocols and Transducer Electronic Data Sheet (TEDS) Formats,” Institute of Electrical and Electronics Engineers, Inc., Piscataway, New Jersey 08855, September 26, 1997.
3. URL: [Http://www.motion.aptd.nist.gov](http://www.motion.aptd.nist.gov)
4. Eidson, I., Woods, S., “A Research Prototype of a Networked Smart Sensor System,” Proceedings Sensors Expo Boston, May 1995, Helmers Publishing.
5. Amos, Kenna. “Sensor Market Goes Global,” InTech -The International Journal for Measurement and Control, pp 40-43, June 1999.
6. Bryzek, Janusz. “Summary Report,” Proceedings of the IEEE/NIST First Smart Sensor Interface Standard Workshop, NIST, Gaithersburg, Maryland, pp. 5-12, March 31, 1994.
7. Woods, Stan *et al.* “IEEE-P1451.2 Smart Transducer Interface Module,” Proceedings Sensors Expo Philadelphia, pp. 25-38, October 1996, Helmers Publishing.
8. Johnson, Robert. “Building Plug-and-Play Networked Smart Transducers,” Sensors Magazine, pp. 40-46, October 1997, Helmers Publishing.
9. Warrior, Jay. “IEEE-P1451 Network Capable Application Processor Information Model,” Proceedings Sensors Expo Anaheim, pp. 15-21, April 1996, Helmers Publishing.
10. Lee, Kang, Schneeman, Richard. “Distributed Measurement and Control Based on the IEEE 1451 Smart Transducer Interface Standards,” Instrumentation and Measurement Technical Conference 1999, Venice, Italy, May 24-26, 1999.

** Certain commercial products are identified in this paper in order to describe the system. Such identification does not imply recommendation or endorsement by the National Institute of Standards and Technology, nor does it imply that the products identified are necessarily the best or the only ones available for the purpose.