

VU Research Portal

Lamb-dips and Lamb-peaks in the saturation spectrum of HD

Diouf, M. L.; Cozijn, F. M.J.; Darquié, B.; Salumbides, E. J.; Ubachs, W.

published in

Optics Letters
2019

DOI (link to publisher)

[10.1364/OL.44.004733](https://doi.org/10.1364/OL.44.004733)

document version

Publisher's PDF, also known as Version of record

document license

Article 25fa Dutch Copyright Act

[Link to publication in VU Research Portal](#)

citation for published version (APA)

Diouf, M. L., Cozijn, F. M. J., Darquié, B., Salumbides, E. J., & Ubachs, W. (2019). Lamb-dips and Lamb-peaks in the saturation spectrum of HD. *Optics Letters*, 44(19), 4733-4736. <https://doi.org/10.1364/OL.44.004733>

General rights

Copyright and moral rights for the publications made accessible in the public portal are retained by the authors and/or other copyright owners and it is a condition of accessing publications that users recognise and abide by the legal requirements associated with these rights.

- Users may download and print one copy of any publication from the public portal for the purpose of private study or research.
- You may not further distribute the material or use it for any profit-making activity or commercial gain
- You may freely distribute the URL identifying the publication in the public portal ?

Take down policy

If you believe that this document breaches copyright please contact us providing details, and we will remove access to the work immediately and investigate your claim.

E-mail address:

vuresearchportal.ub@vu.nl

Lamb-dips and Lamb-peaks in the saturation spectrum of HD

M. L. DIOUF,¹ F. M. J. COZIEN,¹ B. DARQUIÉ,² E. J. SALUMBIDES,¹ AND W. UBACHS^{1,*}

¹Department of Physics and Astronomy, LaserLaB, Vrije Universiteit, De Boelelaan 1081, 1081 HV Amsterdam, The Netherlands

²Laboratoire de Physique des Lasers, Université Paris 13, Sorbonne Paris Cité, CNRS, 99 av J B Clément, 93430 Villetaneuse, France

*Corresponding author: w.m.g.ubachs@vu.nl

Received 29 May 2019; revised 28 June 2019; accepted 28 June 2019; posted 1 July 2019 (Doc. ID 368795); published 23 September 2019

The saturation spectrum of the R(1) transition in the (2-0) band in hydrogen deuteride (HD) is found to exhibit a composite line shape, involving a Lamb-dip and a Lamb-peak. We propose an explanation for such behavior based on the effects of crossover resonances in the hyperfine substructure, which is made quantitative in a density matrix calculation. This resolves an outstanding discrepancy on the rovibrational R(1) transition frequency, which is now determined at 217,105,181,901 (50) kHz and in agreement with current theoretical calculations. © 2019 Optical Society of America

<https://doi.org/10.1364/OL.44.004733>

Vibrational transitions in the hydrogen deuteride (HD) molecule, associated with the small permanent dipole moment of this hetero-nuclear species, were first detected by Herzberg [1]. Thereafter, transition frequencies of a number of lines in the (2-0) overtone band were spectroscopically investigated early on [2,3] and over the decades at increasing accuracy [4]. A vast number of spectroscopic studies have been performed on the HD vibrational spectra, but all were limited by Doppler broadening. In two recent studies, laser precision experiments were performed that, for the first time, to the best of our knowledge, saturated the absorption spectrum of the very weak R(1) line at 1.38 μm in the (2-0) overtone band in HD and acquired a Doppler-free resonance, resulting in orders-of-magnitude improved accuracies. In one study, the method of noise-immune-cavity-enhanced optical heterodyne molecular spectroscopy (NICE-OHMS) was employed [5], while in a second study a Lamb-dip was observed via cavity ring-down spectroscopy [6]. Where in both experiments the spectroscopy laser was locked to a frequency-comb laser for achieving accuracy at 10^{-10} levels, the resulting transition frequencies deviated by 900 kHz, corresponding to 9σ discrepancy for the combined uncertainties. In view of the importance of such precision measurements for testing quantum electrodynamics (QED) in hydrogen molecular systems [7,8], for probing fifth forces [9] and extra dimensions [10], we have reinvestigated this R(1) line of HD at improved background suppression and signal-to-noise ratio and under varying pressure conditions with the aim of finding the cause of this discrepancy.

The frequency-comb locked NICE-OHMS setup described in the previous study [5] is significantly modified on both the

signal and frequency acquisition. It now involves a high-speed lock-in amplifier (Zurich Instruments, HF2LI), which allows parallel demodulation to extract all relevant signal components simultaneously, as both the down-converted high-frequency modulation (f_{FSR}) and low-frequency dither (f_{WM}) all fall inside the lock-in amplifier bandwidth (50 MHz). A schematic layout of the experimental setup is displayed in Fig. 1.

The spectroscopy laser is directly stabilized onto the high-finesse cavity through a Pound–Drever–Hall (PDH) lock for short term stabilization, while long term stability and accuracy of the frequency axis (1 kHz) is obtained by a direct comparison with a Cs-stabilized frequency comb. To remove the effect of the periodic frequency dither ($f_{\text{WM}} = 415$ Hz, 90 kHz peak-to-peak amplitude) in the acquisition, the counter operates at a gate time set to an integer value of the dither period. The measured beatnote value is used in a digital feedback loop to feedback the cavity piezo. The DeVoe–Brewer signal, required to stabilize the modulation frequency onto the cavity free spectral range (FSR) $f_{\text{FSR}} = 305$ MHz, is also retrieved within the lock-in amplifier. It occurs at both frequencies of $f_{\text{FSR}} \pm f_{\text{PDH}}$, which are located at 5 MHz or 45 MHz within the lock-in amplifier due to the down-conversion. To allow retrieval of this error function, it is required that both the internal oscillators of the lock-in amplifier and the PDH

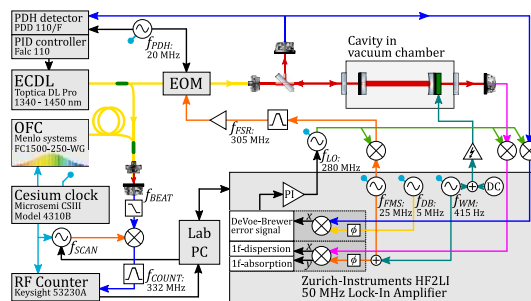


Fig. 1. Schematic layout of the experimental setup used in the present study. The external-cavity diode laser (ECDL) is modulated twice by the electro-optic modulator (EOM) at both the FSR and PDH frequencies, of which the latter is used for short term stabilization onto the high-finesse cavity. Additionally, the laser is wavelength-modulated through a dither on the cavity piezo for derivative detection. A slow lock with the frequency comb is performed for long term stabilization.

frequency generator are all stabilized to an external reference to ensure a fixed phase relationship.

Saturated absorption spectra of the HD R(1) line were measured as a function of pressure in the range of 0.25 to 10 Pa, recordings of which are displayed in Fig. 2. With a cavity finesse of $\sim 150,000$, the circulating power is estimated to be ~ 100 W. The spectra represent the average of eight scans, each taken at 20 min recording time (with 50 kHz frequency steps), yielding more than a five-fold improvement in the signal-to-noise ratio with respect to the previous study [5]. It should be noted that the NICE-OHMS technique employed, which is essentially a form of frequency modulation spectroscopy in an optical cavity, yields a dispersive spectral line shape [11–14]. However, the recordings are performed with an additional slow wavelength modulation at frequency f_{WM} , which improves the signal-to-noise ratio and allows for detecting the extremely weak HD signal in saturation. Hence, after $1f$ demodulation at f_{WM} , a derivative of the NICE-OHMS dispersion channel is expected in the form of a *symmetric* line shape. Indeed, a symmetric saturated absorption line is observed for C_2H_2 [an R(9) line at 217,377,365,327 (5) kHz], recorded under the same NICE-OHMS modulation conditions and displayed in the right panel of Fig. 2. The C_2H_2 line reflects the expected line shape, and the characteristic Lamb-dip of saturation spectroscopy.

The measurements performed on the HD R(1) line exhibit a variation in line profiles at different pressures. At low pressures (0.25–1 Pa) the line profile is dominated by a feature with a reversed sign when compared to the C_2H_2 spectrum. These HD signals at low pressure form Lamb-peaks, that were interpreted in the previous study [5] as the saturated line from which the center frequency of the R(1) line was derived, at 217,105,181,895 (20) kHz.

At the lowest pressures (0.25 Pa), besides the marked enhanced absorption (peak) at low frequencies, some reduced absorption at higher frequencies is observable. The reduced absorption feature, or a Lamb-dip, becomes more pronounced as a more intense and gradually broader signal with increasing pressure. With these two features, the resonance resembles a dispersive line shape. This deviation from an expected *symmetric* line shape is the central finding of the present experimental study.

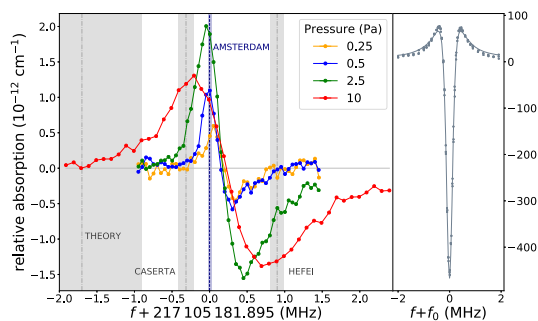


Fig. 2. Observed $1f$ spectra of the HD R(1) transition under conditions of varying pressure are shown in the left panel. For comparison in the right panel, an R(9) acetylene line ($f_0 = 217,377,365,327$ kHz) recorded at 0.1 Pa with identical settings of modulation and demodulation phases for the HD measurements. The acetylene spectrum reflects the expected $1f$ derivative of the dispersion profile for a saturated NICE-OHMS Lamb-dip. The vertical lines in the left panel indicate the line positions reported in Refs. [5] (Amsterdam), [6] (Hefei), and [15] (Caserta), as well as the theoretical value from Ref. [16]. The shaded areas indicate the uncertainty estimates of the reported line positions.

While the Lamb-peak signal at low frequencies corresponds to the feature analyzed in Ref. [5], a broader feature, of the same sign as the C_2H_2 feature, is also observed. This feature, having the sign of a Lamb-dip, is located in the range of higher frequencies, where the Lamb-dip of the HD R(1) line was found in the cavity ring-down study, at 217,105,182.79 (8) MHz [6]. These observations on pressure-dependent line shapes may form the basis for resolving the discrepancy between the two results previously published [5,6]. The line position reported in a recent study, a Doppler-limited measurement using frequency-comb assisted cavity ring-down spectroscopy [15], is also indicated in Fig. 2. In the following, an analysis of the line shape is presented that should quantitatively support this assumption, although a number of approximations and hypotheses must be made.

Crucial for our proposed interpretation of the line shape is the underlying hyperfine structure of the R(1) transition. The nuclear spins for the deuteron $I_D = 1$ and the proton $I_H = 1/2$ give rise to a splitting in five hyperfine substates in the $J = 1$ ground state and into six hyperfine substates in the $J = 2$ excited state. This gives rise to 21 possible hyperfine components within the saturated absorption profile of the R(1) line. The level structure for the $v = 0, J = 1$ level follows from the analysis of RF spectra by Ramsey and Lewis [17]. For the $v = 2$ level, hyperfine coupling constants were calculated via *ab initio* theory, and from these, the hyperfine level splitting in $v = 2, J = 2$ were derived and assumed to be accurate within 5% [18]. Relative line intensities of the 21 components were calculated via angular momentum algebra [18]. The calculated hyperfine structure is shown as a stick spectrum in Fig. 3. This graph also includes the locations of so-called crossover resonances that couple non-zero velocity classes in a narrow saturation peak. Between the five ground state levels and the six excited state levels, there exist 32 resonances where two ground state levels are connected to a common upper state (Λ -type crossovers), and 36 resonances that couple two excited levels to a common ground state (V -type crossovers). The occurrence of crossover resonances is well documented in saturation spectroscopy [19–22]. They give rise to sign reversals, hence, Lamb-peaks, depending on the V -type or Λ -type connection of hyperfine levels [23,24].

To study the general features of the observed HD R(1) line profile, an approximate model was set up using the density matrix formalism that includes the five hyperfine sublevels of the $v = 0, J = 1$ ground level and the six hyperfine sublevels

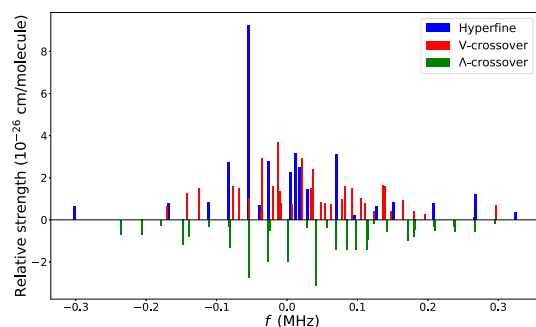


Fig. 3. Stick spectrum representing the 21 hyperfine components (in blue) [5] and the 68 crossover resonances (in red and green) in the R(1) line of HD. The zero on the x axis represents the location of the hyperfineless rovibrational transition. The line strengths of the crossover resonances represent the root of the product of hyperfine line intensities of the two connecting transitions.

of the $v = 2, J = 2$ excited level. The coupled Bloch equations involving populations of excited sublevels ρ_{jj} , ground sublevels ρ_{ii} , and the coherences ρ_{ij} are

$$\frac{d}{dt}\rho_{ii} = \sum_j \rho_{jj}\gamma_{\text{pop},ij} - \frac{i}{\hbar} \sum_j (V_{ji}\rho_{ji} - \rho_{ij}V_{ij}), \quad (1)$$

$$\frac{d}{dt}\rho_{jj} = -\sum_i \rho_{ij}\gamma_{\text{pop},ij} - \frac{i}{\hbar} \sum_i (V_{ij}\rho_{ij} - \rho_{ji}V_{ji}), \quad (2)$$

$$\frac{d}{dt}\rho_{ij} = -(i\Delta_{ij} + \gamma_{\text{coh},ij})\rho_{ij} + \frac{i}{\hbar} V_{ij}(\rho_{ii} - \rho_{jj}) - \frac{i}{\hbar} \sum_{k \neq j} V_{ik}\rho_{kj}, \quad (3)$$

$$\frac{d}{dt}\rho_{jk} = (i\omega_{jk} - \gamma_{\text{coh},jk})\rho_{jk} - \frac{i}{\hbar} (V_{ij}\rho_{ji} - \rho_{ik}V_{ki}), \quad (4)$$

with the detuning $\Delta_{ij} = \omega_L - (\omega_{ij} + \vec{k} \cdot \vec{v})$, where ω_L is the laser frequency, ω_{ij} is the transition frequency between states i and j , and $\vec{k} \cdot \vec{v}$ is the Doppler shift for the velocity class v . The population relaxation rates $\gamma_{\text{pop},ij}$ connecting i and j states with the allowed dipole transitions and relaxation rates for coherences $\gamma_{\text{coh},ij}$ effectively describe radiative and non-radiative processes. The coupling $V_{ij} = \mu_{ij}(E_+ + E_-) + \text{c.c.}$ consists of electric field contributions from forward $+k$ and backward $-k$ propagating laser beams with equal intensities. The electronic transition dipole moment as well as relative intensities of the hyperfine transitions are included in μ_{ij} . In the calculation, the detuning Δ of the applied laser field is scanned over the vicinity of the resonances, with the Doppler shift accounted for both $+k$ and $-k$ beams and for each of the n_v velocity classes around $v = 0$. We have neglected the effect of the two laser sidebands at $f_{\text{FSR}} = \pm 305$ MHz (at field strengths of about 1% of the carrier) to simplify the treatment. The occurrence of a recoil doublet [25], with a splitting of 68 kHz for the R(1) line, is ignored as well.

Another complication in explaining the observed spectra lies in the reduction of transit-time broadening. We note here, as was discussed in Ref. [5], that the observed linewidth of the HD R(1) line is observed much narrower than expected from transit-time broadening for a room-temperature velocity distribution. This was attributed to the mechanism of selection of cold molecules under conditions of very weak saturation, which is a known phenomenon [26–28]. In the model description, no attempt was made to explicitly explain this behavior.

The coupled Bloch equations were solved by numerical integration using a Python code and associated numerical and scientific libraries. The computation was performed in a cluster computer utilizing 32 nodes with 16 cores. For $n_v \sim 4400$ velocity classes that cover Doppler shifts in the range of $[-1.8, 1.8]$ MHz around each resonance, a calculation of a spectrum typically takes around 18 h.

A first calculation was performed that was restricted to the $v = 0$ velocity fraction ($v = 0$ along the propagating laser beams). Its result shows a spectrum displaying all hyperfine resonances at the expected positions indicated as proper hyperfine resonances in Fig. 3 as Lamb-dips. Subsequently, more elaborate calculations were performed, integrating the spectrum over extended velocity classes. Depending on the parameters invoked for γ_{coh} and γ_{pop} , this treatment produces crossover resonances with the same sign as a Lamb-dip, but also crossover

features with a reversed sign. The simulations reveal the effects of velocity selective optical pumping that are observed at particular velocity classes where the crossover interaction between the counter-propagating beams occurs. From a parameter-space analysis, it is found that the sign-reversed crossover peaks occur only under certain values for the input parameters. Clear anti-crossovers are produced only when the population decay γ_{pop} occurs at a faster rate than the Rabi frequency that was estimated at $V/\hbar = 20$ kHz in the measurements [5].

This suggests that there must be a mechanism transferring population from the excited $v = 2$ state to the lower $v = 0$ state in the molecule, a *refilling* mechanism. This rate should be much larger than the radiative lifetime of the upper HD level, being on the order of $\Gamma \sim 1$ Hz. Hence, in this specific case of a saturated transition with a long upper state lifetime in a molecule, similar to the case of NH_3 [29], the population decay (γ_{pop}) cannot be induced by spontaneous radiative decay, as in the case of atoms [20,21,24].

In order to effectively produce anti-crossovers or Lamb-peaks, a hypothesis must be invoked as to the refilling mechanism for ground state population. In some examples, that bear some similarity, the main contribution to the rate of population decay γ_{pop} was attributed to optical pumping in a multi-level system, with the transit-time effect as the absorbers traverse the beam playing a role [23,24]. In a model for saturation in coherent anti-Stokes spectroscopy in H_2 , the mechanism of velocity-changing collisions was adopted as a possible transfer mechanism [30]. The decay value in the latter coherent anti-Stokes Raman spectroscopy (CARS) experiment was close to the value of the pressure broadening coefficient of $\gamma_P = 35$ kHz/Pa for saturated absorption extracted in Ref. [5], while Ref. [15] reports a coefficient of $\gamma_P = 10$ kHz/Pa for a Doppler-limited study (without saturation). For the pressure $P \sim 1$ Pa accessed in the measurements, the collision rate contribution of $\gamma_P P$ to $\gamma_{\text{coh},ij}$ is $\sim 10 - 35$ kHz. Without further speculation on the nature of the mechanism, a range of values for the refilling rate was used in solving the density matrix framework.

Figure 4 shows numerical results obtained for conditions that mimic the observations of spectra at different pressures. The line profiles qualitatively agree with experimental observations. In particular the Lamb-peak and dip features correspond to the measurements, although the intensities and widths are not well reproduced. Both the experiments and simulations

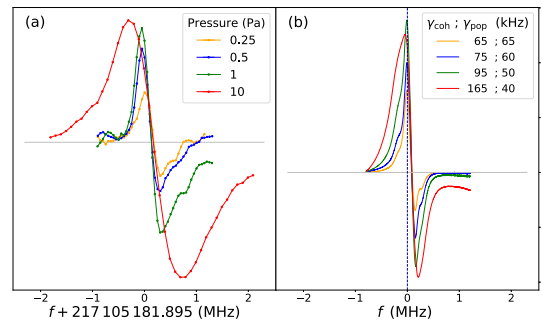


Fig. 4. Comparison between observed and modeled spectral line shapes of the R(1) line of HD; (a) experimental spectra for 0.25, 0.5, 1.0, and 10 Pa on an absolute frequency scale; (b) calculated spectra on a relative frequency scale with respect to the hyperfineless point (at 0 MHz) for different values of γ_{coh} and γ_{pop} in units of kilohertz (kHz) and the Rabi frequency fixed at 20 kHz.

demonstrate that the Lamb-peak persists at the lowest pressures (lowest values of $\gamma_{\text{coh},ij}$), while the Lamb-dip decreases in intensity at the low pressures.

The simulations show that the saturation line profiles of HD R(1) exhibit a composite line shape with a Lamb-peak at low frequency and a broader Lamb-dip occurring at higher frequencies. We postulate this as an explanation for the results obtained in previous studies, where a low-frequency Lamb-peak was analyzed [5]. We assume that the high-frequency component was measured in the cavity ring-down study [6], presumably at somewhat higher pressures. We emphasize that a number of approximations were made in the numerical treatment that could affect the intensities and widths, such as the neglect of the recoil doublet, the inclusion of approximate results on the hyperfine structure from calculations, the lack of a quantitative description of the mechanism selecting cold molecules resulting in larger transit times, absence of cavity standing-wave effects, and, in particular, the lack of understanding of the refill mechanism.

A comparison can be made between the observed line shapes and the composite profiles from the numerical treatment, i.e., in a fit. Since the numerical analysis is based on the hyperfine components dispersed at well-known frequencies, such a fit results in a value for the hyperfineless HD R(1) rovibrational transition. It is interesting to note that a pressure-induced shift of -10 kHz/Pa for the Lamb-peak line position in the simulations (Fig. 4) is close to that extracted in the experimental results. By taking into account profiles for various pressures in the simulations, the extrapolated collision-free Lamb-peak line center can be related to the hyperfineless transition frequency. Adopting this treatment to the measurements yields a value of 217,105,181,901 kHz for the R(1) transition frequency. In view of the numerous assumptions made and the pressure-dependent line shape, we take a conservative estimate for the uncertainty of the hyperfineless transition frequency of some 50 kHz. The analysis shows also that the zero-pressure extrapolation for the Lamb-peak, as determined in Ref. [5], is rather close to the hyperfine center of gravity to within 20 kHz. The present result agrees, within its 50 kHz uncertainty, with our previous determination [5].

The presently obtained transition frequency may be compared to the theoretical values obtained from advanced molecular QED calculations. While a calculation of early 2018 yielded a value of 217,105,174.8 (1.8) MHz, included in Ref. [6], deviating by 7 or 8 MHz from both experimental values, recently, a theoretical value was reported at 217,105,180.2 (0.9) MHz [16]. The latter value, which was based on an improved treatment of relativistic corrections in non-adiabatic perturbation theory, is within 2σ from the presently obtained experimental value. This allows for the conclusion that an agreement is obtained between experiment and theory of infrared transitions in hydrogen at the 5×10^{-9} level, where the present result is of higher accuracy than current state-of-the-art calculations. Meanwhile a theoretical framework has been developed that should produce a more accurate value [8] to be confronted with the experimental value. On the experimental side, the observation of the R(0) line in the (2-0) band, exhibiting a much simpler hyperfine structure with a near-degenerate ground state [31], could be measured. Unfortunately, that line is overlaid by a water resonance prohibiting its measurements in the current setup.

Funding. Nederlandse Organisatie voor Wetenschappelijk Onderzoek (NWO); H2020 European Research Council (ERC) (670168); SURFara.

Acknowledgment. The authors thank J. M. A. Staa (VU) for assisting in the measurements and P. Dupré (Dijon) for acquisition and some analysis of the hyperfine structure.

REFERENCES

- G. Herzberg, *Nature* **166**, 563 (1950).
- R. A. Durie and G. Herzberg, *Can. J. Phys.* **38**, 806 (1960).
- A. R. W. McKellar, *Can. J. Phys.* **52**, 1144 (1974).
- S. Kassı and A. Campargue, *J. Mol. Spectrosc.* **267**, 36 (2011).
- F. M. J. Cozijn, P. Dupré, E. J. Salumbides, K. S. E. Eikema, and W. Ubachs, *Phys. Rev. Lett.* **120**, 153002 (2018).
- L.-G. Tao, A.-W. Liu, K. Pachucki, J. Komasa, Y. R. Sun, J. Wang, and S.-M. Hu, *Phys. Rev. Lett.* **120**, 153001 (2018).
- C.-F. Cheng, J. Hussels, M. Niu, H. L. Bethlem, K. S. E. Eikema, E. J. Salumbides, W. Ubachs, M. Beyer, N. Hölsch, J. A. Agner, F. Merkt, L.-G. Tao, S.-M. Hu, and C. Jungen, *Phys. Rev. Lett.* **121**, 013001 (2018).
- M. Puchalski, J. Komasa, P. Czachorowski, and K. Pachucki, *Phys. Rev. Lett.* **122**, 103003 (2019).
- E. J. Salumbides, J. C. J. Koolemeij, J. Komasa, K. Pachucki, K. S. E. Eikema, and W. Ubachs, *Phys. Rev. D* **87**, 112008 (2013).
- E. J. Salumbides, A. N. Schellekens, B. Gato-Rivera, and W. Ubachs, *New J. Phys.* **17**, 033015 (2015).
- O. Axner, P. Ehlers, A. Foltynowicz, I. Silander, and J. Wang, *NICE-OHMS-Frequency Modulation Cavity-Enhanced Spectroscopy-Principles and Performance*, Springer Series in Optical Sciences 179 (Springer, 2014), Chap. 6, pp. 211–251.
- A. Foltynowicz, W. Ma, F. Schmidt, and O. Axner, *J. Opt. Soc. Am. B* **26**, 1384 (2009).
- S. Twagirayezu, M. J. Cich, T. J. Sears, C. P. McRaven, and G. E. Hall, *J. Mol. Spectrosc.* **316**, 64 (2015).
- P. Dupré, *J. Opt. Soc. Am. B* **32**, 838 (2015).
- E. Fasci, A. Castrillo, H. Dinesan, S. Gravina, L. Moretti, and L. Gianfrani, *Phys. Rev. A* **98**, 022516 (2018).
- P. Czachorowski, M. Puchalski, J. Komasa, and K. Pachucki, *Phys. Rev. A* **98**, 052506 (2018).
- N. F. Ramsey and H. R. Lewis, *Phys. Rev.* **108**, 1246 (1957).
- P. Dupré, Laboratoire interdisciplinaire Carnot de Bourgogne, 9 Avenue Alain Savary, BP 47870, 21078 Dijon Cedex France, and J. Gauss, Institut für Physikalische Chemie, Johannes Gutenberg-Universität Mainz, Duesbergweg 10-14, 55128 Mainz, Germany, are preparing a manuscript to be called "Hyperfine structure in hydrogen deuteride."
- H. Foth and F. Spieweck, *Chem. Phys. Lett.* **65**, 347 (1979).
- L. A. Bloomfield, H. Gerhardt, T. W. Hansch, and S. C. Rand, *Opt. Commun.* **42**, 247 (1982).
- C. Hertzler and H.-J. Foth, *Chem. Phys. Lett.* **166**, 551 (1990).
- J. Bordé and C. Bordé, *J. Mol. Spectrosc.* **78**, 353 (1979).
- J. E. Thomas and W. W. Quivers, *Phys. Rev. A* **22**, 2115 (1980).
- O. Schmidt, K. M. Knaak, R. Wynands, and D. Meschede, *Appl. Phys. B* **59**, 167 (1994).
- S. N. Bagaev, V. P. Chebotayev, A. K. Dmitriyev, A. E. Om, Y. V. Nekrasov, and B. N. Skvortsov, *Appl. Phys. B* **52**, 63 (1991).
- S. N. Bagaev, L. S. Vasilenko, A. K. Dmitriev, M. N. Skvortsov, and V. P. Chebotayev, *JETP Lett.* **23**, 360 (1976).
- S. N. Bagaev, A. E. Baklanov, A. S. Dychkov, P. V. Pokasov, and V. P. Chebotayev, *JETP Lett.* **45**, 471 (1987).
- L.-S. Ma, J. Ye, P. Dubé, and J. Hall, *J. Opt. Soc. Am. B* **16**, 2255 (1999).
- C. Lemarchand, M. Triki, B. Darquié, C. J. Bordé, C. Chardonnet, and C. Daussy, *New J. Phys.* **13**, 073028 (2011).
- R. P. Lucht and R. L. Farrow, *J. Opt. Soc. Am. B* **6**, 2313 (1989).
- M. Puchalski, J. Komasa, and K. Pachucki, *Phys. Rev. Lett.* **120**, 083001 (2018).