

JJ

GSI

**GSI-94-64
PREPRINT
Oktober 1994**

**LOW-ENERGY ELECTRONS AND THEIR DYNAMICAL
CORRELATION WITH THE RECOIL-IONS FOR SINGLE
IONIZATION OF HELIUM BY FAST, HEAVY-ION IMPACT**

R. Moshhammer, J. Ullrich, M. Unverzagt, W. Schmidt, P. Jardin,
R.E. Olsen, R. Mann, R. Dörner, V. Mergel, U. Buck,
H. Schmidt-Böcking

Accepted for publication in Phys. Rev. Lett.



CERN LIBRARIES, GENEVA

848444

Gesellschaft für Schwerionenforschung mbH
Postfach 110552 · D-64220 Darmstadt · Germany

**Low-Energy Electrons and their Dynamical Correlation with the Recoil-Ions
for Single Ionization of Helium by Fast, Heavy-Ion Impact***

R. Moshhammer¹, J. Ullrich¹, M. Unverzagt², W. Schmidt², P. Jardin³,

R.E. Olson⁴, R. Mann¹, R. Dörner², V. Mergel², U. Buck⁵,

H. Schmidt-Böcking²

- 1) Gesellschaft für Schwerionenforschung m.b.H., D-64291, Planckstr. 1,
Federal Republic of Germany
- 2) Institut für Kernphysik, D-60486 Frankfurt, August-Euler-Str. 6, Federal
Republic of Germany
- 3) CIRIL, Rue Claude Bloch PB 5133, 14040 Caen Cedex, France
- 4) Department of Physics, University of Missouri-Rolla, Missouri 65401
- 5) MPI für Strömungsforschung, D-3400 Göttingen, Federal Republic of
Germany

PACS numbers: 34.10.+x, 34.50.Fa

Abstract

Helium single ionization by 3.6 MeV/u Ni²⁴⁺ impact was explored in a kinematically complete experiment by combining a high-resolution recoil-ion momentum spectrometer with a novel 4 π low-energy electron analyzer. More than 90 % of the "soft electrons" ($E_e \leq 50$ eV) are ejected in the forward direction in agreement with CTMC predictions. The electron longitudinal momentum is not balanced by the longitudinal momentum change of the projectile but mainly by the backwards recoiling He¹⁺-ion. Energy losses of the 0.2 GeV projectiles as small as $\Delta E_P/E_P = 3.4 \cdot 10^{-7}$ are observable.

* supported by GSI, BMFT and DFG

Until now the investigation of target single ionization by energetic ion impact has been mainly restricted to total cross section measurements and to studies differential in the momentum of only one of the outgoing particles (electron, recoil-ion or projectile). No kinematically complete experiment that is comparable to so-called (e,2e) experiments [1] for electron - atom collisions or (γ ,2e) measurements [2] for photoionization has been reported for heavy projectiles.

This is partly due to the large momentum p_P carried by the heavy incoming projectile and its mostly undetectable tiny change Δp_P during the collision: For target (multiple) ionization $\Delta p_P/p_P$ typically ranges from 10^{-4} to even 10^{-9} . Only a few ion-beam facilities [3] or storage rings [4] deliver beams with a momentum spread as small as $\Delta p_P/p_P \approx 10^{-5}$. Thus, conventional energy loss or gain measurements have been limited to this level of precision. Moreover, this 10^{-5} accuracy so far has only been achieved for projectile energies below 400 keV [3].

A further serious complication arises since most electrons emitted in ion-atom collisions have energies well below 50 eV (so-called "soft electrons"). Conventional techniques to measure the angular and energy distribution of such electrons, especially for $E_e \leq 10$ eV, are faced with tremendous experimental difficulties [5,6]. Therefore, there are no systematic investigations for $E_e \leq 5$ eV in spite of the fact that these electrons considerably contribute to the total emission cross section. There exists only one recent experiment for $E_e \leq 1$ eV [6,7] where neither the final charge state of the recoiling target ion nor that of the projectile was controlled.

In order to circumvent these basic experimental problems, and provide new, fundamental information on the dynamics of ionizing collisions, recoil-ion momentum spectroscopy (RIMS) has been developed over the last few years [8-10]. Using ultracold supersonic jet targets of sub-Kelvin

temperatures ("cold-target recoil-ion momentum spectroscopy": COLTRIMS) transverse and longitudinal momentum transfers to the recoiling target ion corresponding to energies as small as $\pm 30 \mu\text{eV}$ become observable with a solid angle of nearly 4π [10,11].

In this Letter we report both on the first kinematically complete experiment for single target ionization in an ion-atom collision, and on the measurement of all soft electrons down to zero emission velocities for experimentally controlled final charge states of both the projectile and the target ions. This has been accomplished by developing a high-resolution recoil-ion momentum spectrometer (longitudinal energy resolution $\Delta E_{\parallel} \approx \pm 12 \mu\text{eV}$) with an integrated 4π electron analyzer ($\Delta E_{\parallel} \approx \pm 130 \text{ meV}$ for $E_{\parallel} \leq 10 \text{ eV}$). Six out of nine final momenta of the particles emerging from the collision are determined. Moreover, the projectile energy loss is accessible with a resolution of $\Delta E_P/E_P = 3.4 \cdot 10^{-7}$ (FWHM) for the 0.2 GeV Ni-projectiles. This is orders of magnitude better than achievable in any energy gain or loss measurement using conventional techniques. Final electronic states of the target and the projectile (the centroid of the inelastic energy losses) are identified with a precision of $\Delta E_P/E_P \approx 10^{-8}$ corresponding to electronic binding energies of 2 eV in the present reaction.

The experiments were performed using a 3.6 MeV/u stripped and charge state analyzed Ni^{24+} -beam from the UNILAC of GSI. Only a brief description of the apparatus is provided in this Letter, details will be given in a following paper. The beam was collimated to a size of about 1 mm \cdot 1 mm in the target region, charge state analyzed after the collision, and Ni^{24+} -ions (no charge exchange) were recorded by a fast scintillation detector at a rate of up to 1 MHz. A single stage supersonic jet (see Fig. 1) provided a well localized helium target of 3 mm diameter and a density of

about $3 \cdot 10^{11}$ atoms/cm² at the intersection point with the ion-beam. In order to improve the resolution the nozzle was cooled to about $T_0 = 30$ K (COLTRIMS, [8,11]). From the jet operation parameters a longitudinal temperature (along the jet-expansion and transverse to the ion beam) of 10 mK and a transverse temperature of 200 mK is expected. This results in a recoil-ion momentum resolution along the ion-beam of $\Delta p_{R\parallel} \approx \pm 0.05$ a.u. ($\Delta E_{R\parallel} \approx \pm 5$ μ eV).

Recoil ions created at the ion-beam jet intersection were extracted by a uniform electric field of 4.55 V/cm provided over 22 cm along the beam (total voltage applied: $V_T = +100$ V; potential at the intersection point: $V_I = 50$ V). After 11 cm of acceleration, the recoil-ions drift over 22 cm to be focussed in time. They are postaccelerated ($V_a \approx -2000$ V over 2 mm) and detected by a 2-dimensional position sensitive (2D PS) channel-plate detector (wedge&strip anode) of 40 mm active diameter mounted directly beneath the straight path of the projectile beam. The He¹⁺ time-of-flight (TOF) in the entire apparatus was about 8 μ s measured by an electron - recoil-ion - projectile coincidence. The TOF provides the recoil-ion charge state and longitudinal momentum $p_{R\parallel}$, the position on the detector gives the transverse momentum $p_{R\perp}$ and the azimuthal emission angle.

Electrons emerging from the collision with $E_{e\parallel} \leq 50$ eV are all ($\Delta Q = 4\pi$) accelerated into the opposite direction. They hit another 2D PS microchannel plate mounted at about the end of the acceleration field (12 cm flight path; this detector is horizontally displaced by 3 cm to provide space for the incoming ion beam). The electrons are postaccelerated ($V_a \approx +200$ V over 2 mm) to guarantee optimum and energy-independent detection efficiency. The total TOF is about 50 ns for $v_{e\parallel} = 0$ (time resolution $\Delta t \approx 1$ ns). In addition to the electric field a nearly parallel solenoidal magnetic field of 12 G is generated by two Helmholtz coils forcing

electrons of non-zero transverse energies to spiral trajectories. The electron longitudinal momentum is obtained from the TOF, the position gives the transverse momentum along with the azimuthal emission angle. The magnetic field is slightly tilted with respect to the direction of the ion-beam to guide electrons of zero transverse energy out of the ion-path onto the detector.

The longitudinal sum momentum of the recoil-ion and the electron is well defined from energy and momentum conservation (see one of the following paragraphs and eqn. (1)). Therefore, it can be controlled experimentally and a value of $(\Delta p_{e\parallel}^2 + \Delta p_{R\parallel}^2)^{1/2} = \pm 0.11$ a.u. was achieved (see Fig. 4). The longitudinal recoil-ion energy resolution is $\Delta E_{R\parallel} \leq \pm 12$ μ eV ($\Delta p_{R\parallel} \leq \pm 0.08$ a.u.), the lowest value ever reported. The transverse resolution is about $\Delta p_{R\perp} = \pm 0.25$ a.u. and is limited by the size of the spatial ion-beam - target-beam overlap of $1 \cdot 1$ mm². The electron energy resolution in the longitudinal direction is $\Delta E_{e\parallel} \leq \pm 130$ meV ($\Delta p_{e\parallel} \approx \pm 0.1$ a.u.). In the transverse direction an accuracy of $\Delta E_{e\perp}/E_{e\perp} = 0.36 \cdot E_{e\perp}^{-1/2}$ is obtained for electrons being on the maximum distance (diameter of the cyclotron motion) away from the center (electrons with $E_{e\perp} = 0$) when hitting the detector. As for the recoil-ions, the transverse energy resolution is determined by the finite size of the spatial overlap. The electric and magnetic fields were chosen in such a way that more than 90 % of all electrons hit the detector between two focus points of the cyclotron motion guaranteeing a total resolution of $\Delta E_{e\perp} \leq 400$ meV.

This technique removes many of the experimental difficulties of conventional electron spectrometers: First, the target extension is well defined by the supersonic jet. Second, electrons from restgas ionization are completely suppressed. Third, as for the recoil-ions, the influence of electric fringe fields and magnetic distortions is drastically reduced by

extracting the electrons. The energy resolution is excellent and nearly independent of the solid angle. Moreover, due to the simultaneous recoil-ion detection, the coincident final target charge state is measured, the longitudinal momentum resolution for the electrons and the recoil-ions is precisely controlled and the spectra are free of background on the level of 10^{-4} . We emphasize that the resolution and the energy acceptance of such a soft-electron spectrometer can be significantly and easily enhanced in the future by elongation of the electron flight-path, the use of time-focussing geometry in the direction of extraction, and implementation of large active-diameter 2D PS electron detectors.

Absolute cross sections are easily obtained since practically all reaction products are simultaneously detected. Thus, the sum of all events can be normalized on the total single ionization cross section of $\sigma^{1+} = (2.4 \pm 0.5) \cdot 10^{-15} \text{ cm}^2$ measured for 3.6 MeV/u Au^{24+} impact [12]. Theoretical cross sections are $\sigma^{1+} = 1.6 \cdot 10^{-15} \text{ cm}^2$ (CTMC) and $\sigma^{1+} = 2.6 \cdot 10^{-15} \text{ cm}^2$ (CDW-EIS; [12]). The single differential electron emission cross sections (integrated over all emission angles) for helium single ionization ($d\sigma^{1+}/dE_e$) are displayed in figure 2 (full circles) in comparison with theoretical results (full line). A possible maximum is observed at electron energies of about 2 eV. Above 4 eV the differential cross section decreases rapidly and falls off by a factor of 10 at $E_e \approx 40$ eV. Our data cannot be directly compared to results of any other measurements since in previous investigations at low electron energies neither the final charge state of the projectile nor that of the target was controlled. A similar dependence has been observed for 1 MeV/u O^{8+} on He collisions [13,14] for $E_e > 4$ eV.

In Fig. 3 the longitudinal electron momentum distribution (full circles) is shown and a strong asymmetry along the forward-backward direction is found. About 93 % of all soft electrons are emitted in the

direction of the outgoing projectile. This behaviour is correctly predicted by the theory (full line; to enable a better comparison the theoretical data are multiplied by a factor of 1.6). Inspection of the projectile longitudinal momentum change $\Delta p_{p\parallel} = -(p_{R\parallel} + p_{e\parallel})$ yields a sharp peak with its center close to zero, Fig. 4. Thus, $p_{e\parallel}$ is not balanced, as might be expected, by the projectile momentum transfer but is nearly completely compensated by the recoil-ion (open circles in Fig. 3): they are emitted backwards with a most probable energy of 300 μeV . Surprisingly, the longitudinal momenta of the helium-atom "fragments" (the electron and the He^{1+} recoil-ion) are considerably larger than the net-momentum transfer to the target atom by the projectile: the atom seems to "dissociate" in the strong, long-ranging projectile potential. In order to elucidate this behaviour in more detail CTMC calculations have been performed using anti-nickel, $\bar{\text{Ni}}^{-24}$, as a projectile: in this case electrons are preferentially ejected backwards whereas the recoil-ion is found in the forward direction.

For collisions with small energy and momentum transfer (perfectly fulfilled here at a level below 10^{-7}) it follows from momentum and energy conservation for the longitudinal momentum balance (all in atomic units):

$$p_{R\parallel} = (Q + E_e)/v_p - \sum p_{e\parallel} \quad (1)$$

Q is the total change in potential energy, which for single ionization of $\text{He}(1s^2)$ is 0.903 a.u.; the continuum energy of the emitted electron E_e is typically about 1 a.u.; v_p is the incoming projectile velocity of 12 a.u..

Thus, the $(Q+E_e)/v_p$ -term in equ. (1) is only on the order of 0.2 a.u. showing that the longitudinal recoil-ion momentum mirrors the (sum-) momentum of the emitted electron(s) for single (multiple) ionization at large v_p : $p_{R\parallel} \approx -\sum p_{e\parallel}$. This provides a convenient, sensitive and novel experimental tool for the investigation of electron-electron interactions

in multiple ionization (see for example [15]) or helium double ionization, a subject of considerable current interest. In the present experiment He^{2+} production has been measured simultaneously, the results will be reported elsewhere.

The center of the sum-momentum peak is slightly shifted from zero by $Q/v_P = 0.075$ a.u.. Its asymmetry which is clearly visible only in the theoretical distribution (full line, arbitrarily normalized) is a result of the energy distribution of the continuum electrons (E_e/v_P). Since the electron energy is measured simultaneously this term is known and can be subtracted for a precise determination of Q . Thus, with the present set-up, electronic binding energies are detectable with a FWHM of $0.22 \cdot v_P$ a.u.. This corresponds to an energy resolution of 72 eV for this collision system and to an energy loss measurement of the projectile with a relative accuracy of $\Delta E_P/E_P \approx 3.4 \cdot 10^{-7}$ (FWHM). Using a colder supersonic jet or an ultra-cold laser produced atomic target ($T \lesssim 100$ μK), an improvement by a factor of 10 seems to be realistic. Then for instance, electronic binding energies of heavy few-electron systems (U^{91+} , Pb^{81+} , etc.), which are available at the GSI experimental storage ring (ESR) at energies as low as 10 MeV/u can be measured with a resolution of 10 eV (FWHM).

In conclusion, we have performed the first kinematically complete experiment on single ionization by heavy-ion impact combining high-resolution COLTRIMS with a novel low-energy electron spectrometer. The main findings of our work are the dramatic forward emission of the soft electrons, the nearly complete compensation of the electron longitudinal momentum by the recoil-ion with a comparably small momentum change of the projectile. Moreover, a possible maximum in the soft electron energy distribution is observed at about 2 eV realized in the coincident measurement of the charges of both heavy particles. The longitudinal recoil-ion momentum mirrors the (sum-) momentum of the emitted electron(s)

for single (multiple) ionization at large projectile velocities: $p_{e1} \approx -\sum p_{e1}$. This provides a convenient experimental method for future investigations of electron-electron correlations in multiple ionization events. It was demonstrated that the technique provides the possibility of energy-loss (gain) measurements of atomic reactions in heavy-ion atom collisions with so far unachieved resolution: state-selective studies of electron capture, the kinematically complete investigation of RTE ("Resonant Transfer and Excitation") or REC ("Radiative Electron Capture"), and the spectroscopy of electronic states in heavy few-electron ions can be envisaged in the near future.

Finally, we want to emphasize that the coincident, precise, and complete measurement of the momenta of both the electron and recoil-ion using advanced ultracold targets provides a realistic experimental approach to determine angular correlations and even the neutrino mass in β -decay experiments [8].

Acknowledgements: One of us (P.J.) would like to thank GSI for generous hospitality and the European Community for financial support. The support of NSF INT-9112815 is gratefully acknowledged (R.E.O.). We want to thank C.L. Cocke for many contributions to the design of the spectrometer and M. Horbatsch for many fruitful discussions. The help of W. Enders during the installation of the apparatus and the help of the UNILAC crew for providing excellent beams is gratefully acknowledged.

References

- [1] A. Lahmam-Bennani, J.Phys. B24, 2401 (1991)
- [2] O. Schwarzkopf et al., Phys. Rev. Lett. 70, 3008 (1993)
- [3] J.T. Park in "Collision Spectroscopy" (R.G. Cook, ed.), p. 19, Plenum, New York (1978)
- [4] F. Bosch, in "The Physics of Electronic and Atomic Collisions", (AIP Conference Proceedings 295), p. 3, Aarhus (1993)
- [5] M.E. Rudd et al., Review of Modern Physics 64, 441 (1992)
- [6] S. Suarez et al., Phys. Rev. A48, 4339 (1993)
- [7] S. Suarez et al., Phys. Rev. Lett. 70, 414 (1993)
- [8] J. Ullrich et al., Comments in Physics (1994) accepted for publication
- [9] R. Dörner et al., Phys. Rev. Lett. 63, 147 (1989)
- [10] V. Frohne et al., Phys. Rev. Lett. 71, 696 (1993)
- [11] R. Dörner et al., Phys. Rev. Lett.72, 3166 (1994)
- [12] H. Berg et al., J. Phys. B25, 3655 (1992)
- [13] J.O.P. Pedersen et al., J.Phys. B24, 4001 (1991)
- [14] C.R. Garibotti and W.R. Cravero, Phys. Rev. A48, 2018 (1993)
- [15] M. Horbatsch, J. Phys. B27, 2533 (1994)

Figure Captions

Fig. 1: Schematic drawing of the combined recoil-ion electron spectrometer.

Fig. 2: Differential electron emission cross sections (DCS) for helium single ionization $d\sigma^{1+}/dE_e$ in collisions with 3.6 MeV/u Ni^{24+} as a function of the electron energy.

Fig. 3: Longitudinal momentum distribution $d\sigma^{1+}/dp_{\parallel}$ of soft electrons (full circles) and recoil-ions (open circles) for single ionization of helium in collisions with 3.6 MeV/u Ni^{24+} . Full and dashed lines: results of CTMC calculations multiplied by a factor of 1.6.

Fig. 4: Sum of the electron and the recoil-ion longitudinal momentum which is minus the projectile momentum change $\Delta p_{P\parallel}$: $p_{e\parallel} + p_{R\parallel} = (Q + E_e)/v_P = -\Delta p_{P\parallel}$. Upper scale: $\Delta p_{P\parallel}$ relative to the incoming projectile momentum p_P . Histogram: experiment. Full line: theory (CTMC; arbitrarily normalized).

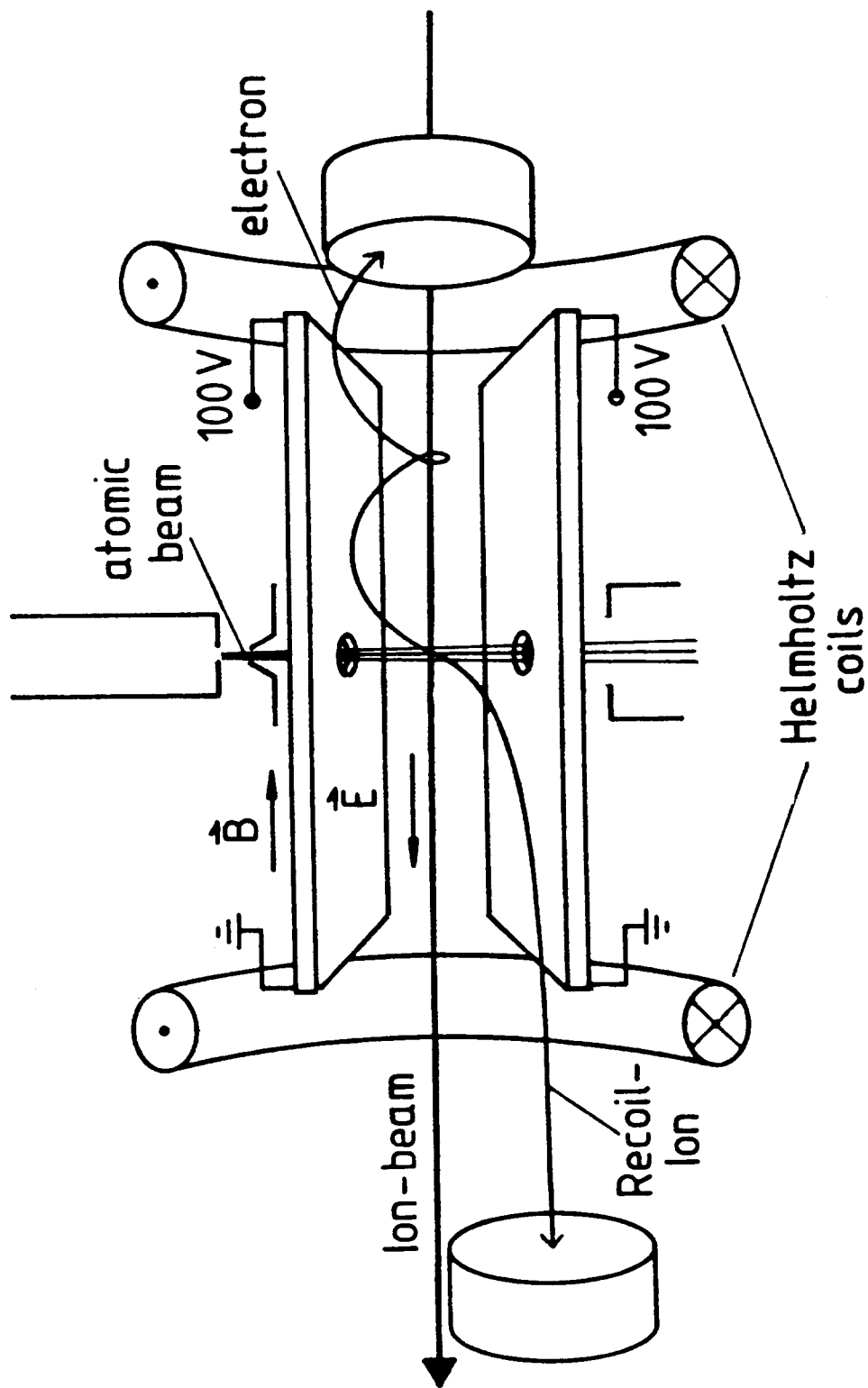


Fig. 1

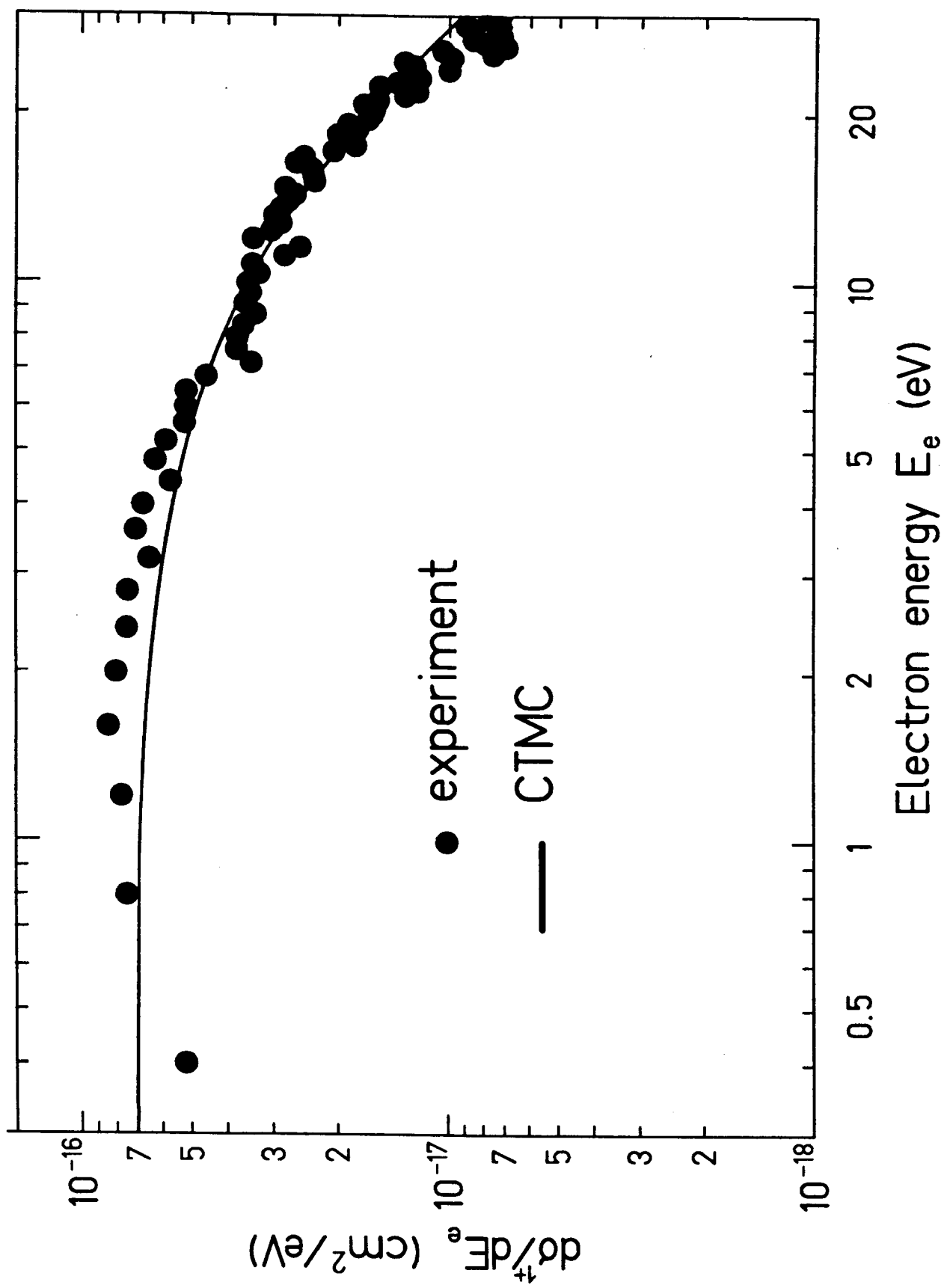


Fig.2

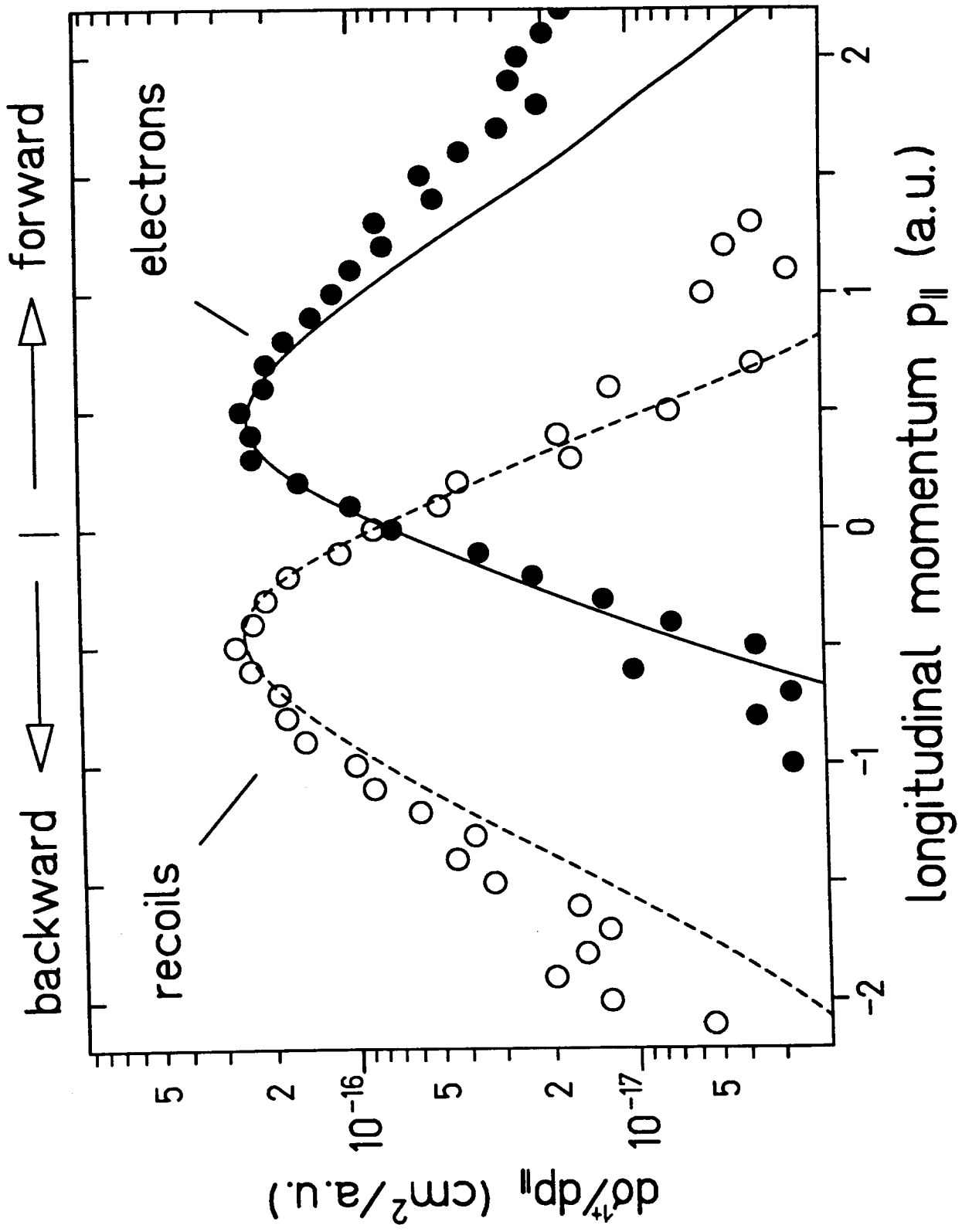
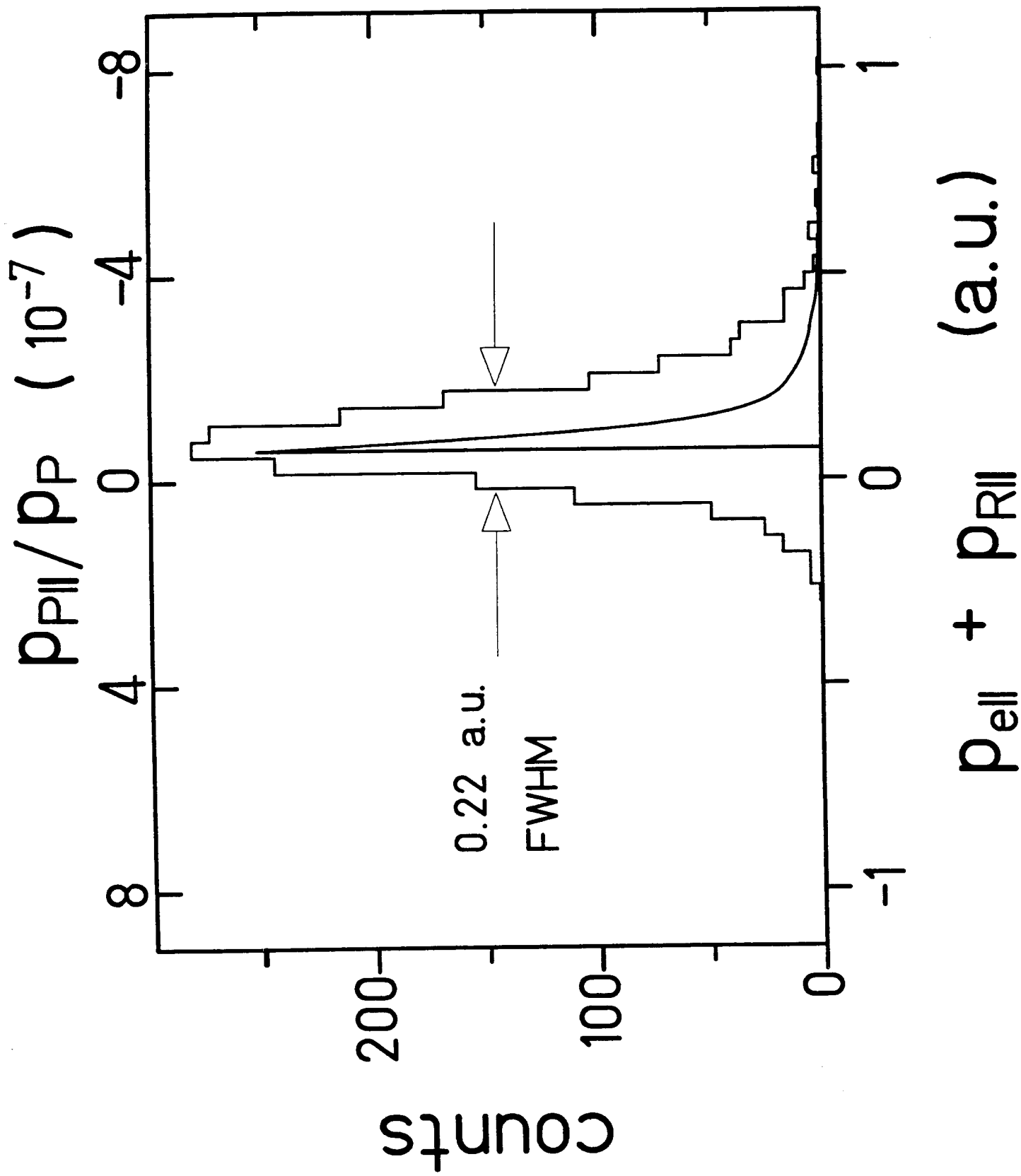


Fig. 3



$P_{eII} + P_{rII}$ (a.u.)

Fig. 4

