



US008215454B2

(12) **United States Patent**
Portlock et al.

(10) **Patent No.:** **US 8,215,454 B2**
(45) **Date of Patent:** **Jul. 10, 2012**

(54) **LUBRICATION SYSTEM WITH TOLERANCE FOR REDUCED GRAVITY**

(75) Inventors: **Lawrence E. Portlock**, Bethany, CT (US); **Michael E. McCune**, Colchester, CT (US); **Louis J. Dobek**, Somers, CT (US)

(73) Assignee: **United Technologies Corporation**, Hartford, CT (US)

(*) Notice: Subject to any disclaimer, the term of this patent is extended or adjusted under 35 U.S.C. 154(b) by 994 days.

3,049,138 A	8/1962	Klank, Jr.	
3,533,307 A *	10/1970	Gunderson	475/131
3,776,067 A *	12/1973	DeBruyne et al.	475/159
4,023,548 A *	5/1977	Prasch	123/196 CP
4,153,141 A *	5/1979	Methlie	184/6.2
4,249,783 A *	2/1981	Glassmeyer	384/472
4,284,174 A	8/1981	Salvana et al.	
4,329,952 A *	5/1982	Buraas	123/196 AB
4,346,786 A	8/1982	Midgley	
4,373,421 A	2/1983	Camboulives et al.	
4,378,711 A *	4/1983	Daniel	74/467
4,589,826 A *	5/1986	Zimmern et al.	417/368
4,691,119 A *	9/1987	McCabria	307/84

(Continued)

FOREIGN PATENT DOCUMENTS

EP 0717175 6/1996

(Continued)

(21) Appl. No.: **11/603,664**

(22) Filed: **Nov. 22, 2006**

(65) **Prior Publication Data**

US 2008/0116010 A1 May 22, 2008

(51) **Int. Cl.**

F16H 57/04 (2010.01)
F01D 25/18 (2006.01)

(52) **U.S. Cl.** **184/6.12**; 184/6.11; 184/6.2; 184/6.4; 475/159; 74/468

(58) **Field of Classification Search** 184/6.1, 184/6.12, 6.2, 6.4; 475/159; 74/468, 606 R
See application file for complete search history.

(56) **References Cited**

U.S. PATENT DOCUMENTS

1,631,537 A *	6/1927	Krenzke	184/6.12
2,370,484 A *	2/1945	Nabstedt	475/273
2,373,360 A *	4/1945	Walsh	184/6.13
2,574,986 A *	11/1951	Schou	475/253
2,684,591 A *	7/1954	Lundquist	73/862.31
2,782,658 A *	2/1957	Schaefer et al.	477/54
3,023,640 A *	3/1962	Schou	475/70

OTHER PUBLICATIONS

Partial European Search Report, mailed Jul. 29, 2010, Application No. 07254551.0-1263/1925856.

(Continued)

Primary Examiner — Bradley King

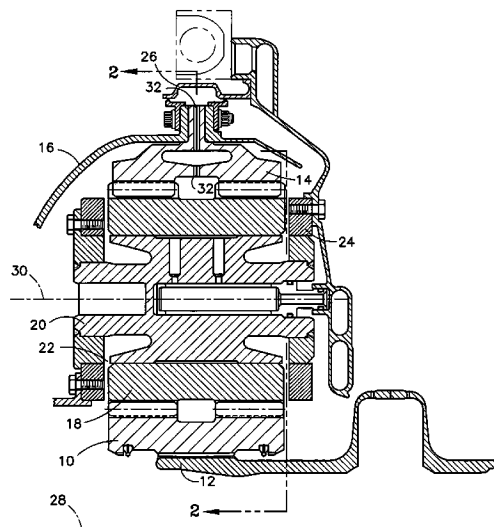
Assistant Examiner — Mahbubur Rashid

(74) *Attorney, Agent, or Firm* — Carlson Gaskey & Olds, P.C.

(57) **ABSTRACT**

A lubrication system includes an auxiliary lubricant tank 48, a supply conduit 58 extending from a source of lubricant 26 to the auxiliary lubricant tank. A reduced-G bypass line 108 branches from the conduit and enters the auxiliary tank at a first elevation E₁. The system also includes an auxiliary tank discharge conduit 116, a portion of which resides within the tank. The resident portion has an opening 122 at least partially at a second elevation E₂ higher than the first elevation.

18 Claims, 7 Drawing Sheets



US 8,215,454 B2

Page 2

U.S. PATENT DOCUMENTS

4,704,862 A * 11/1987 Dennison et al. 60/226.2
4,717,000 A 1/1988 Waddington et al.
4,858,427 A 8/1989 Provenzano
4,882,943 A * 11/1989 Pipon et al. 74/409
4,888,947 A 12/1989 Thompson
4,976,335 A * 12/1990 Cappellato 184/6.4
5,018,601 A 5/1991 Waddington et al.
5,046,306 A 9/1991 Borre, Jr.
5,102,379 A * 4/1992 Pagluica et al. 475/331
5,121,815 A 6/1992 Francois et al.
5,167,207 A 12/1992 Gohara et al.
5,176,039 A 1/1993 Takeuchi et al.
5,245,820 A * 9/1993 Zalewski et al. 60/39.08
5,251,725 A * 10/1993 Barrett, Jr. 184/6.14
5,472,383 A * 12/1995 McKibbin 475/159
6,039,667 A * 3/2000 Schunck et al. 475/159
6,223,616 B1 * 5/2001 Sheridan 74/468

6,463,819 B1 10/2002 Rago
2002/0083983 A1 * 7/2002 Coha et al. 137/565.22
2003/0230274 A1 12/2003 Williams et al.

FOREIGN PATENT DOCUMENTS

JP 51140013 12/1976
JP 53130601 10/1978
JP 61067815 5/1986
JP 2002089225 3/2002

OTHER PUBLICATIONS

European Search Report, mailed Jul. 8, 2010, Application No. 07254542.9-1263/1925885.

Extended EP Search Report, dated Jan. 28, 2011, Application No. 07254551.0-1263/1925856.

* cited by examiner

FIG. 1

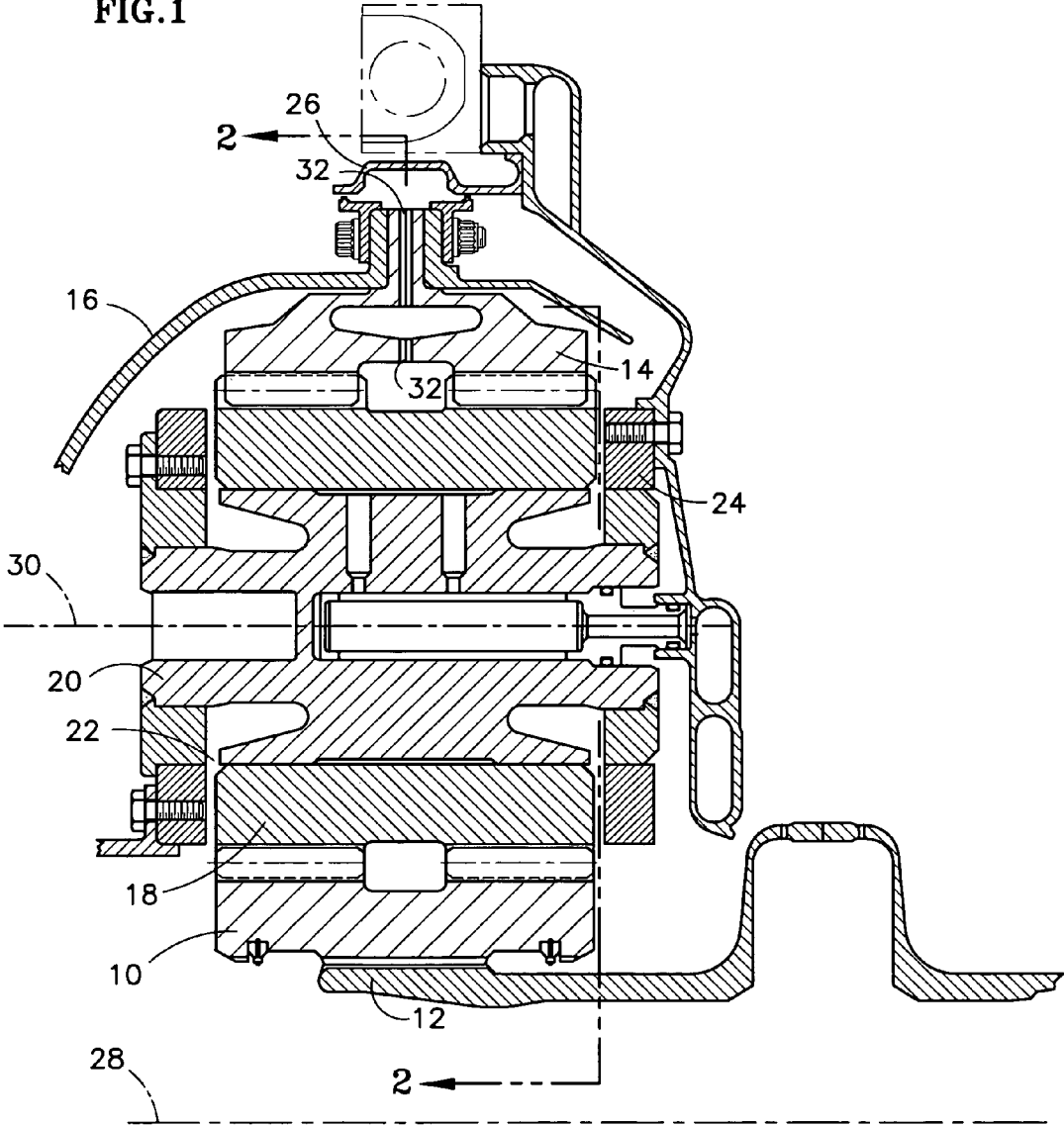


FIG. 2

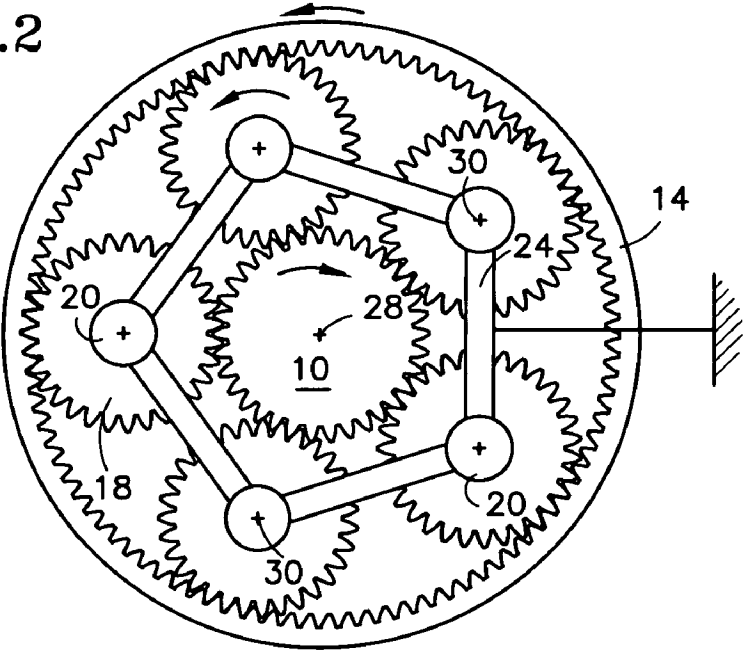
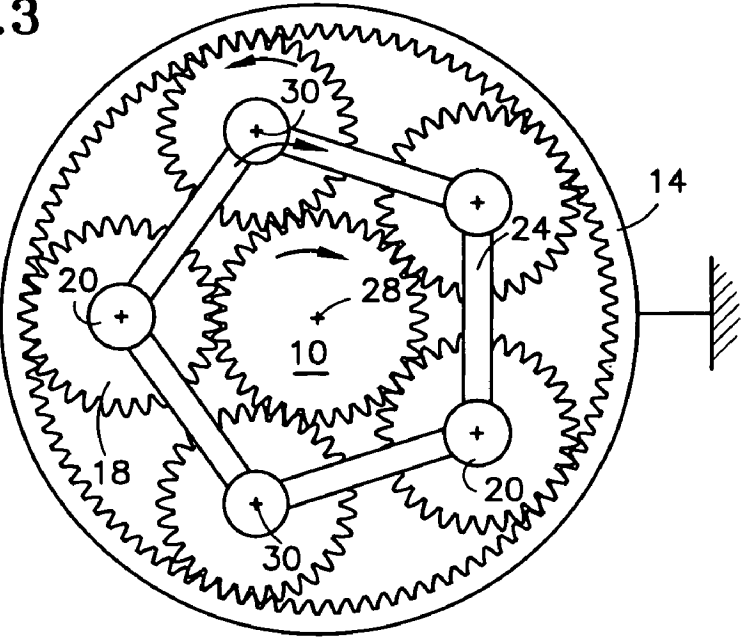
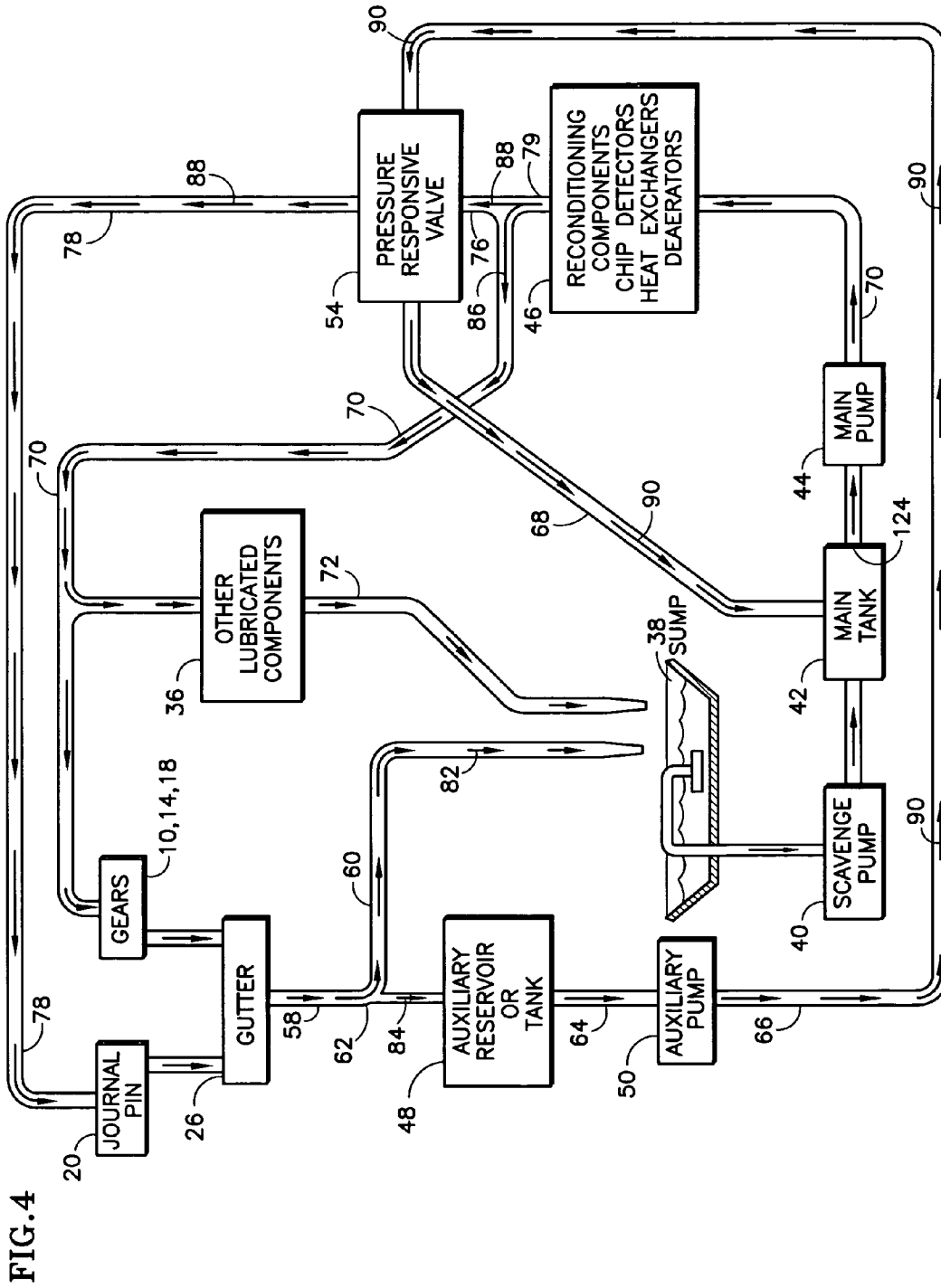


FIG. 3





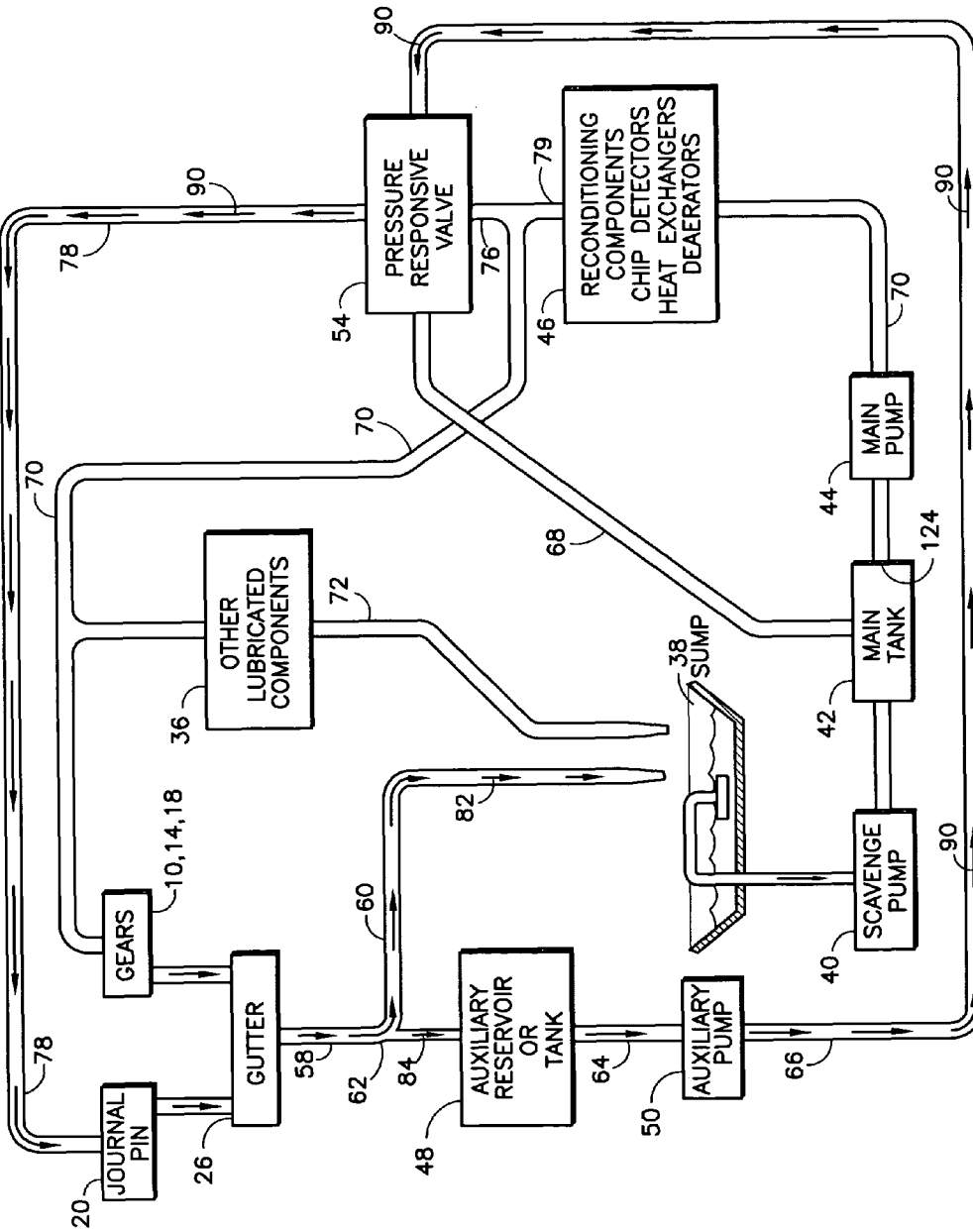


FIG. 5

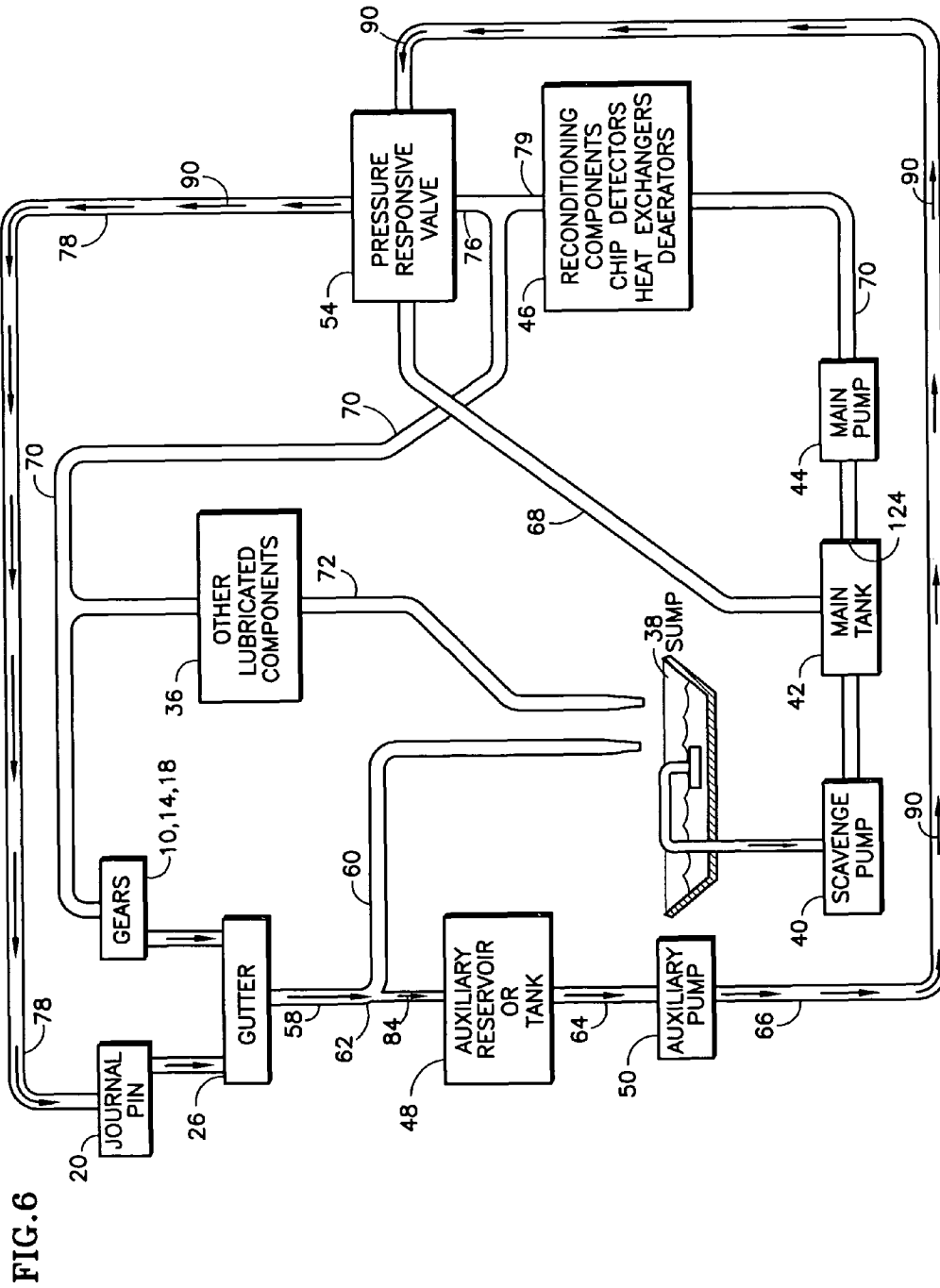


FIG. 6

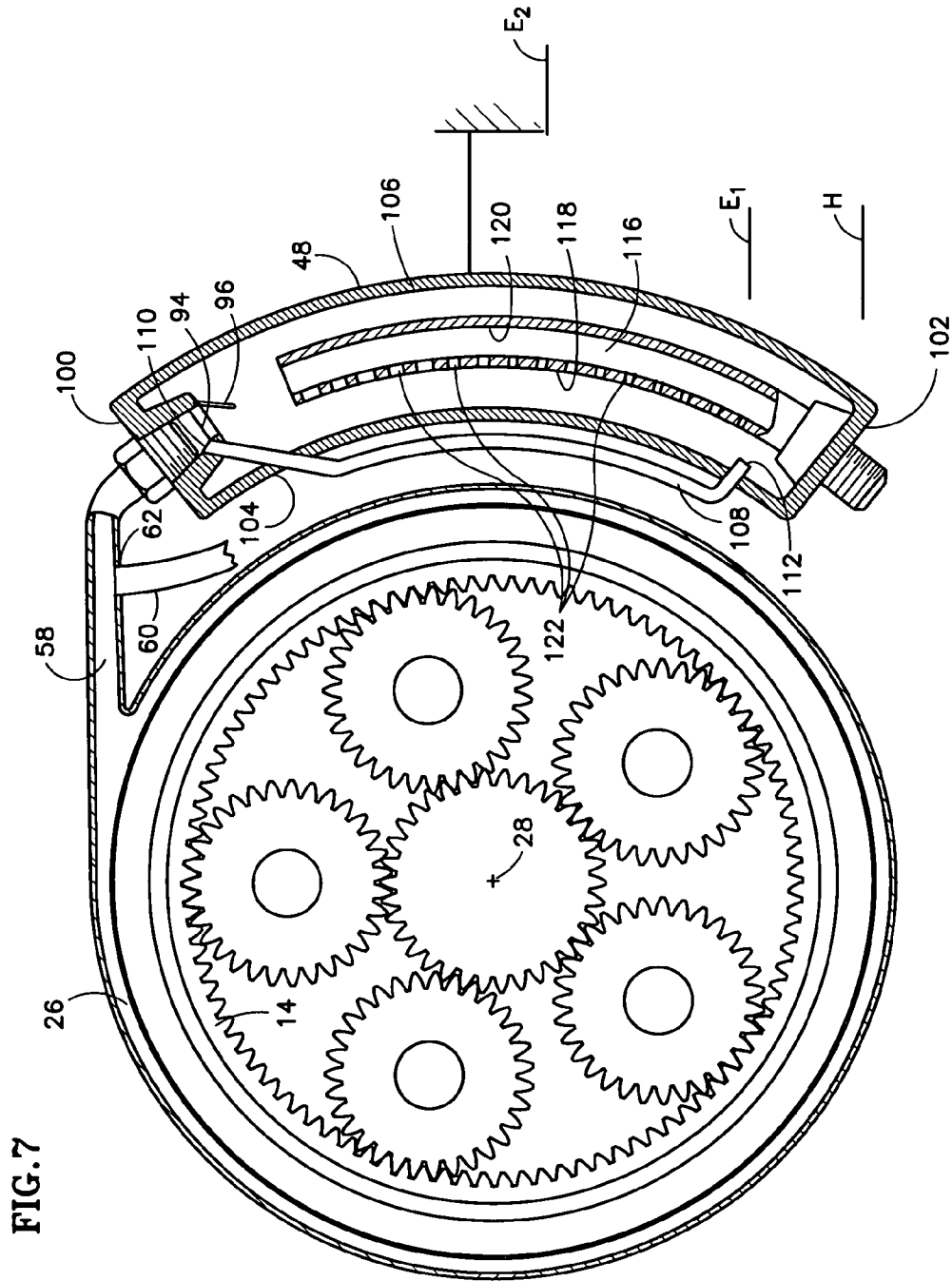
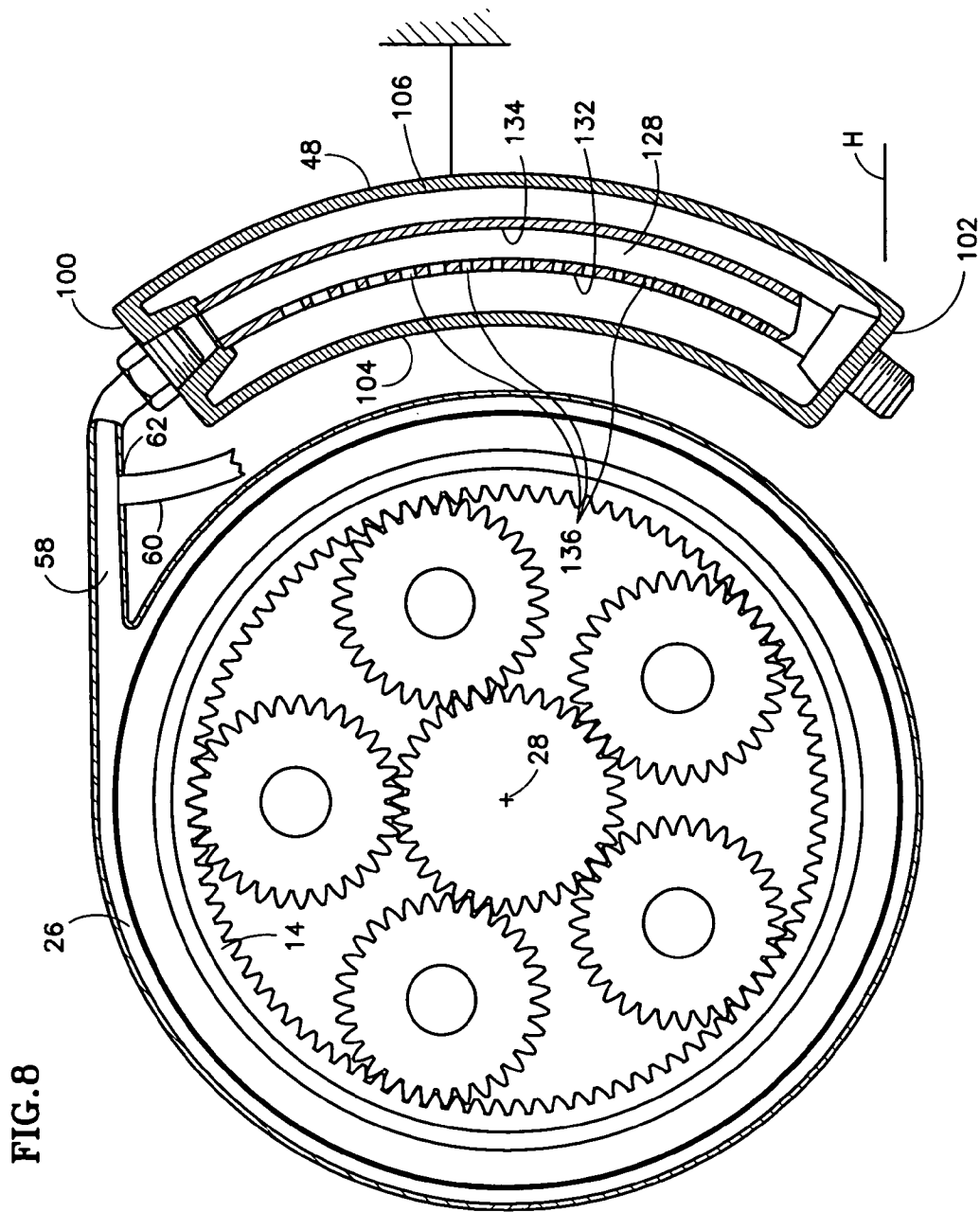


FIG. 7



1

LUBRICATION SYSTEM WITH TOLERANCE FOR REDUCED GRAVITY

STATEMENT OF GOVERNMENT INTEREST

This invention was made with Government Support under contract NAS3-01138 awarded by NASA. The Government has certain rights in the invention.

CROSS REFERENCE TO RELATED APPLICATIONS

This application includes subject matter in common with concurrently filed application Ser. No. 11/603,393 entitled "Lubrication System with Extended Emergency Operability", both applications being assigned to or under obligation of assignment to United Technologies Corporation.

TECHNICAL FIELD

This invention relates to a lubrication system capable of operating satisfactorily for a limited time during reduced gravity (reduced-G) conditions, particularly negative-G and zero-G conditions.

BACKGROUND

Aircraft gas turbine engines include various components requiring lubrication. A main lubrication system normally provides lubricant to these components. It is desirable to also provide an emergency lubrication capability so that at least some components can be lubricated, at least temporarily, if the main lubrication system fails or operates abnormally. Irrespective of whether the main lubrication system is operating normally or not, it may also be desirable to ensure that components are not starved of lubricant during reduced-G conditions. Reduced-G conditions are those in which G, the acceleration due to gravity (9.8 meters/sec./sec.), is partially or entirely counteracted by aircraft maneuvers and/or aircraft orientation.

SUMMARY

A lubrication system includes an auxiliary lubricant tank and a supply conduit extending from a source of lubricant to the auxiliary lubricant tank, the conduit having an outlet to the tank. The system also includes a reduced-G bypass line branching from the conduit and entering the auxiliary tank at a first elevation. The system further includes an auxiliary tank discharge conduit, a portion of which resides within the tank. The resident portion has an opening at least partially at a second elevation higher than the first elevation.

The foregoing and other features of the various embodiments of the lubrication system described herein will become more apparent from the following detailed description and the accompanying drawings.

BRIEF DESCRIPTION OF THE DRAWINGS

FIG. 1 is a cross sectional side elevation view of a gear train configured as a star system and useful in an aircraft gas turbine engine.

FIG. 2 is a schematic view in the direction 2-2 of FIG. 1.

FIG. 3 is a schematic view similar to FIG. 2 illustrating a gear train configured as a planetary system.

2

FIG. 4 is a schematic diagram showing a lubrication system in a normal state of operation, i.e. with the lubricant pressure at a normal level.

FIG. 5 is a schematic diagram showing the lubrication system of FIG. 4 shortly after the onset of an abnormal state of operation, i.e. with the lubricant pressure lower than a normal level.

FIG. 6 is a schematic diagram similar to FIG. 5 showing the lubrication system at a later time.

FIG. 7 is a schematic view showing an auxiliary lubricant tank with a bypass conduit and a discharge conduit for accommodating reduced-G operation.

FIG. 8 is a schematic view showing an auxiliary lubricant tank with a continuous conduit extending through the tank without interruption for accommodating reduced-G operation.

DETAILED DESCRIPTION

Referring to FIGS. 1 and 2, a reduction gear train suitable for use in an aircraft gas turbine engine includes a sun gear 10 driven by a sun gear (input) shaft 12, a ring gear 14 radially outboard of the sun gear and connected to a ring gear (output) shaft 16, and a set of intermediate gears 18 radially intermediate and meshing with the sun and ring gears. Each intermediate gear circumscribes a journal pin 20. A thin, replenishable film of lubricant, not shown, occupies a small annular space 22 between each intermediate gear and its journal pin to support the intermediate gear. This arrangement is referred to as a journal bearing. The journal pins are all supported by a carrier 24. The carrier interconnects the journal pins with each other and, by doing so, also interconnects the intermediate gears to each other. A lubricant recovery gutter 26 circumscribes the ring gear.

In the gear train shown in FIGS. 1 and 2, the sun and ring gears are each rotatable about an axis 28. The carrier is nonrotatable even though the individual intermediate gears are each rotatable about their respective axes 30. Such a system is referred to as a star system. As seen best in FIG. 2, the input and output shafts counterrotate. Lubricant flows through the gear system to support the intermediate gears 18 on the journal pins 20 and to lubricate and cool the gear teeth. The used lubricant expelled by the gear train enters the gutter 26 by various paths, which include lubricant slots 32.

Alternatively, as seen in FIG. 3, the sun gear and carrier are rotatable about the axis 28. The ring gear is nonrotatable. The carrier is connected to an output shaft. Such a system is referred to as a planetary system. The input and output shafts co-rotate as indicated in FIG. 3. Finally, all three components may be rotatable about axis 28 so that dual output shafts connected to the carrier and the ring gear counterrotate with respect to each other.

Many of the engine components, including the gears 10, 14, 18 are able to tolerate lubricant starvation for brief intervals of time. However the journal pins 20 are far less tolerant of lubricant starvation. Accordingly, whether the gear system is configured as a star, a planetary or with all three gears rotatable, it is desirable to ensure that lubricant flows to the journal pins, at least temporarily under all conditions. The temporary lubricant supply allows time for normal operation to resume or for the engine to be shut down before significant damage can occur.

FIG. 4 schematically shows the relevant components of the above described gear train (gears 10, 14, 18, journal pin 20 and gutter 26), other engine components 36 requiring lubrication, and a lubrication system suitable for use with the gear train. The lubrication system includes a main system whose

components include a sump **38**, a scavenge pump **40** for scavenging lubricant from the sump, a main tank **42** for receiving lubricant from the scavenge pump, a main pump **44** for pumping lubricant from the main tank, and various lubricant reconditioning components such as chip detectors, heat exchangers and deaerators, collectively designated **46**. The lubrication system also includes an auxiliary system whose components include an auxiliary lubricant tank or reservoir **48** and an auxiliary pump **50**. The lubrication system also includes a pressure responsive valve **54**.

An auxiliary tank supply conduit **58** extends from the gutter **26** to the auxiliary tank **48**. The gutter serves as a source of lubricant for the tank. A main bypass line **60** branches from the supply conduit at a junction **62** and extends to the sump **38**. An auxiliary tank discharge conduit **64** extends from the auxiliary tank to the auxiliary pump. An auxiliary pump discharge line **66** extends from the auxiliary pump to the pressure responsive valve. A main tank return line **68** extends from the valve **54** to the main lubricant tank **42**. A lubricant delivery pathway **70** extends from the main pump **44** through the various lubricant reconditioning components **36** and ultimately to the gears **10**, **14**, **18** and other components **46**. A lubricant return pathway **72** extends from the components to the sump **38**. A portion **76** of the delivery pathway **70** leads to the pressure responsive valve **54**. A journal pin delivery line **78** extends from the valve to the journal pins **20**.

It should be appreciated that the above description and the schematic illustration and are highly simplified in comparison to an actual lubrication system. For example, an actual system may have multiple lubricant conduits, lines, pathways, pumps, etc. corresponding to each of the components discussed above and illustrated.

The lubrication system is operable in both normal and abnormal states of operation. Those skilled in the art will appreciate that normal operation refers to the expected, trouble-free state of operation in which the lubrication system substantially meets its design specification. For example, the normal state is a state of operation in which the system delivers lubricant at the rates, temperatures, pressures, etc. determined by the designer so that the lubricated components, including the gears and journal pins, receive a quantity of lubricant enabling them to operate as intended. The skilled artisan will also appreciate that abnormal operation refers to a state of operation other than the normal state.

During normal operation, rotation of the gears expels lubricant radially outwardly, and with a high tangential velocity, into the lubricant recovery gutter **26**. The supply conduit **58**, which branches substantially tangentially off the gutter as seen in FIGS. **7** and **8**, captures the expelled lubricant. A large portion **82** of the lubricant flows through the main bypass line **60** and returns to the sump **38**. A smaller portion **84** of the lubricant flows into the auxiliary tank **48** to establish or replenish a reserve quantity of lubricant therein. The auxiliary pump **50** pumps lubricant from the tank to the pressure responsive valve **54**. Concurrently, the scavenge pump **40** extracts lubricant from the sump **38** and delivers it to the main tank **42**. The main pump **44** pumps the lubricant from the tank to the reconditioning components **46**. Most of the reconditioned lubricant **86** then flows to the gears **10**, **14**, **18** and other components **36**. The remainder **88** of the lubricant flows to the pressure responsive valve. The valve, responding to normal pressure in the lubrication system, directs this remaining lubricant **88** to the journal pins and directs reserve lubricant **90** (received from the auxiliary pump) to the main tank **42**.

Referring now to FIG. **5**, immediately after the onset of abnormal operation (e.g. due to a severe leak, clog or malfunction of a system component) the lubricant pressure drops

such that an unsatisfactorily reduced quantity of lubricant flows through the lubricant delivery pathway **70**. In response to the abnormally low pressure, the pressure responsive valve **54** shunts the reserve lubricant **90** received from the auxiliary pump to the journal pins **20** to ensure that the pins receive lubricant, at least temporarily. The gear system at first continues to expel a large quantity of lubricant into the gutter. As with normal operation, a large portion **82** of the lubricant flows through the main bypass line **60** and returns to the sump **38**. A smaller portion **84** of the lubricant flows to the auxiliary tank to at least partially replenish the lubricant being withdrawn by the auxiliary pump.

If the abnormally low lubricant pressure persists, the system reaches the state shown in FIG. **6**. The quantity of lubricant circulating through the system is small enough that little or no lubricant backs up from the auxiliary tank and enters the main bypass line **60**. Instead, nearly all of the limited quantity of lubricant flows to the auxiliary pump **50** and eventually back to the journal pins **20**. This state of operation persists until the tank **48** is depleted and the flow rate from the gutter **26** is insufficient to replenish it.

Although the above described system is satisfactory during normal-G operation, it may be desirable to extend such satisfactory operability to reduced-G conditions irrespective of whether the lubricant pressure is normal (FIG. **4**) or is abnormally low (FIGS. **5** and **6**). Reduced-G conditions include positive-G conditions materially less than 9.8 meters/sec./sec., particularly when such conditions result in an inability of the main lubricant system to satisfy the lubrication requirements of the gears, journal pins and other components requiring lubrication. Reduced-G conditions also include non-positive-G conditions, i.e. zero-G and negative-G conditions. Reduced-G conditions can arise from aircraft maneuvers and/or aircraft orientation.

FIG. **7** illustrates the ring gear **14**, gutter **26** and supply conduit **58**, which extends substantially tangentially from the gutter. The main bypass line **60** branches from the supply conduit at the junction **62** upstream of a conduit outlet **94**. An optional valve such as flapper valve **96** regulates lubricant flow from the outlet. The valve may be loaded, for example by a spring, to its closed position. The auxiliary tank **48** is mounted to a nonrotatable mechanical ground. The tank has a top **100**, a bottom **102** and an arcuate profile with radially inner and outer boundaries **104**, **106**. A reduced-G bypass line **108** branches from the conduit downstream of the junction **62** and upstream of the conduit outlet **94**. The bypass line has an inlet **110**, and an outlet **112** inside the auxiliary tank. The outlet **112** is at a first elevation, E_1 , preferably near the bottom of the tank.

The system also includes an auxiliary tank discharge conduit **116**. The discharge conduit **116** has an arcuate profile with radially inner and outer boundaries **118**, **120**. A portion of the conduit resides within the tank. The resident portion has an opening along the conduit inner boundary for allowing lubricant transfer between the tank and the conduit. The opening may take any convenient form. For example the opening may be a single opening such as a hole or a slot extending along the conduit. The illustrated opening is an array of perforations **122**. The perforations may all have the same area, however, as explained below, it may be desirable for the area of the individual perforations to decrease, or at least not increase, with decreasing elevation. The opening, whatever form it takes, is at least partially at a second elevation E_2 higher than the first elevation E_1 . For example, in the illustrated, perforated variant, at least some of the perforations are higher than E_1 .

5

As used herein, "elevation" refers to distance or height above a reference height H no higher than the bottom of the tank 48 when the system is in the orientation seen in FIG. 7, i.e. an orientation representative of the engine or aircraft being on level ground or in straight and level flight.

During normal positive-G operation (G approximately equal to 9.8 m/sec./sec.) with normal lubricant pressure, lubricant enters the auxiliary tank, principally by way of the outlet 94, although some lubricant may enter the tank by flowing through the bypass line 108 and its outlet 112. During normal positive-G operation with abnormally low lubricant pressure, the valve 96, if present, may close so that lubricant still flowing through the conduit 58 enters the tank by way of the bypass line 108. Either way, the lubricant exits the tank through the auxiliary tank discharge conduit 116 after first passing through the opening represented by perforations 122.

During reduced-G operation, particularly zero-G or negative-G, the lubricant pressure may be low enough that a reduced quantity of lubricant (including no lubricant) flows through the supply conduit 58. The low lubricant pressure may result from a malfunction in the lubrication system or it may occur because the reduced-G's have lifted lubricant away from the outlet 124 of the main tank (FIG. 4) in a system that is otherwise fully functional. The flapper valve 96, if present, closes. Lubricant still circulating in the system is impelled through supply conduit 58 as a result of the tangential velocity imparted to the lubricant by the rotation of the gears. That lubricant enters the tank by way of the bypass line 108 and its outlet 112. For negative-G operation, the lubricant will migrate toward the top of the tank. However because the array of perforations 122 is at least partially at an elevation E_2 higher than outlet elevation E_1 , the lubricant can enter the discharge conduit 116 by way of the perforations 122. Because the lubricant migrates toward the top of the tank during negative-G operation, there will be a tendency for the auxiliary pump 50 to extract air from the bottom of the tank rather than lubricant from the top of the tank. This tendency can be partially counteracted if the perforations 122 are of decreasing area with decreasing elevation. The lubricant is encouraged to enter the discharge conduit partly because of the negative-G's and partly due to suction created by the auxiliary pump 50. Because the conduit is arcuate, the lubricant will tend to accumulate along the radially outer boundary 120 of the conduit so that it can be extracted by the pump 50. For zero-G operation, the system operates similarly except that the lubricant will tend to float and will not be able to enter the conduit as readily.

FIG. 8 illustrates the ring gear 14, gutter 26 and supply conduit 58, which extends substantially tangentially from the gutter. The main bypass line 60 branches from the conduit at the junction 62. The auxiliary tank 48 is mounted to a non-rotatable mechanical ground. The tank has a top 100, a bottom 102 and an arcuate profile with radially inner and outer boundaries 104, 106.

The system also includes an auxiliary tank discharge conduit 128. The discharge conduit may be a component physically distinct from the supply conduit 58 and connected thereto by a fitting or other appropriate connection as shown. Alternatively, the discharge conduit may be an integral extension or continuation of the supply conduit 58, with the interface between the conduits 58, 128 being, for example, at the location where the continuous conduit penetrates into the auxiliary tank 48. The conduit extends continuously and without interruption through the tank.

The discharge conduit 128 has an arcuate profile with radially inner and outer boundaries 132, 134. A portion of the discharge conduit resides within the tank. The resident por-

6

tion has an opening along the conduit inner boundary for allowing lubricant transfer between the tank and the conduit. The opening may take any convenient form. For example the opening may be a single opening such as a hole or a slot extending along the conduit. The illustrated opening is an array of perforations 136. The perforations may all have the same area. However, as explained above, it may be desirable for the area of the individual perforations to decrease, or at least not increase, with decreasing elevation in order to reduce the tendency for the pump 50 to extract air rather than lubricant during negative-G operation.

As used herein, "elevation" refers to distance or height above a reference height H no higher than the bottom of the tank 48 when the system is in the orientation seen in FIG. 8, i.e. an orientation representative of the engine or aircraft being on level ground or in straight and level flight.

During normal positive-G operation (G approximately equal to 9.8 m/sec./sec.) with normal lubricant pressure, lubricant delivered by supply conduit 58 flows through the perforations to establish a reserve quantity of lubricant in the auxiliary tank 48. Excess lubricant flows through the discharge conduit 128 to the auxiliary pump 50 (FIG. 4). During positive-G operation with abnormally low lubricant pressure, the quantity of lubricant circulating through the lubrication system is typically reduced relative to the normal quantity (in the limit, the reduced quantity may be zero). The reduced quantity flows into the discharge conduit and adds to residual lubricant in the tank and/or flows through the discharge conduit to the auxiliary pump.

During reduced-G operation, particularly zero-G or negative-G, the lubricant pressure may be low enough that a reduced quantity of lubricant (including no lubricant) flows through the supply conduit 58. The low lubricant pressure may result from a malfunction in the lubrication system or it may occur because the reduced-G's have lifted lubricant away from the outlet 124 of the main tank (FIG. 4) in a system that is otherwise fully functional. Lubricant still circulating in the system is impelled through supply conduit 58 as a result of the tangential velocity imparted to the lubricant by the rotation of the gears. That lubricant flows from the supply conduit 58 into the discharge conduit 128. For negative-G operation, any lubricant already in the tank migrates toward the top of the tank. The perforations 136 admit this lubricant to the discharge conduit to augment any lubricant arriving from the supply conduit 58. The lubricant in the tank is encouraged to enter the discharge conduit partly because of the negative-G's and partly due to suction created by the auxiliary pump 50. Because the conduit is arcuate, the lubricant will tend to accumulate along the radially outer boundary 134 of the conduit so that it can be extracted by the pump 50. For zero-G operation, the system operates similarly except that the lubricant will tend to float and will not be able to enter the conduit as readily.

Although this disclosure refers to specific embodiments of the lubrication system, it will be understood by those skilled in the art that various changes in form and detail may be made without departing from the subject matter set forth in the accompanying claims.

We claim:

1. A lubrication system, comprising:

- an auxiliary lubricant tank;
- a lubricant supply conduit extending from a source of lubricant to the auxiliary lubricant tank, the conduit having an outlet to the tank;
- a lubricant bypass line branching from the conduit and having an outlet inside the auxiliary tank at a first elevation;

7

- an auxiliary tank discharge conduit, a portion of which resides within the tank, the resident portion having an opening at least partially at a second elevation higher than the first elevation; and
- wherein the resident portion of the tank discharge conduit has an arcuate profile with radially inner and outer boundaries, the opening of the resident portion being along the radially inner boundary.
2. The lubrication system of claim 1 wherein the opening is an array of perforations.
3. The lubrication system of claim 2 wherein the perforations each have an area that decreases with decreasing elevation.
4. The lubrication system of claim 1 comprising a valve configured to regulate lubricant flow through the outlet to the tank.
5. The lubrication system of claim 1 wherein the source of lubricant is a lubricant recovery gutter associated with a gear train.
6. The system of claim 1, wherein the opening is configured to receive a flow of lubricant directly from the auxiliary lubricant tank.
7. The system of claim 1, wherein the auxiliary tank discharge conduit extends to a pump outside the auxiliary lubricant tank.
8. The system of claim 1, wherein a portion of the bypass line extends outside the auxiliary lubricant tank.
9. The system of claim 1, wherein the bypass line branches from the conduit outside the auxiliary lubricant tank.
10. The system of claim 1, including a main tank separate from the auxiliary lubricant tank.
11. The system of claim 1, wherein the auxiliary lubricant tank contains lubricant.
12. A lubrication system for use with a gear train, the gear train including a ring gear and a lubricant recovery gutter radially outboard of the ring gear, the lubrication system comprising:

8

- an auxiliary lubricant tank;
- a lubricant supply conduit extending from the gutter to the auxiliary lubricant tank, the conduit having an outlet to the tank;
- a lubricant bypass line branching from the conduit and having an outlet inside the auxiliary tank at a first elevation;
- an auxiliary tank discharge conduit, a portion of which resides within the tank, the resident portion having an opening at least partially at a second elevation higher than the lower elevation; and
- wherein the resident portion of the tank discharge conduit has an arcuate profile with radially inner and outer boundaries, the opening of the resident portion being along the radially inner boundary.
13. The lubrication system of claim 12 wherein the opening is an array of perforations.
14. The lubrication system of claim 13 wherein the perforations are each configured to communicate lubricant radially through the discharge conduit and each have an area that decreases with decreasing elevation.
15. The lubrication system of claim 12 comprising a valve configured to regulate lubricant flow through the outlet to the tank.
16. The lubrication system of claim 12 wherein a gear train includes a sun gear radially inboard of the ring gear and a set of intermediate gears radially intermediate the sun gear and the ring gear, the intermediate gears being interconnected by a carrier, wherein the auxiliary lubricant tank is configured to receive lubricant from the gear train.
17. The lubrication system of claim 16 wherein the sun and ring gears are rotatable about an axis and the carrier is non-rotatable about the axis.
18. The lubrication system of claim 16 wherein the sun gear and carrier are rotatable about an axis and the ring gear is nonrotatable about the axis.

* * * * *