



HAL
open science

Multi-scale modeling of follicular ovulation as a reachability problem

Nki Echenim, Frédérique Clément, Michel Sorine

► **To cite this version:**

Nki Echenim, Frédérique Clément, Michel Sorine. Multi-scale modeling of follicular ovulation as a reachability problem. *Multiscale Modeling and Simulation: A SIAM Interdisciplinary Journal*, Society for Industrial and Applied Mathematics, 2007, 6 (3), pp.895-912. 10.1137/060664495 . hal-00086574v2

HAL Id: hal-00086574

<https://hal.archives-ouvertes.fr/hal-00086574v2>

Submitted on 5 Feb 2007

HAL is a multi-disciplinary open access archive for the deposit and dissemination of scientific research documents, whether they are published or not. The documents may come from teaching and research institutions in France or abroad, or from public or private research centers.

L'archive ouverte pluridisciplinaire **HAL**, est destinée au dépôt et à la diffusion de documents scientifiques de niveau recherche, publiés ou non, émanant des établissements d'enseignement et de recherche français ou étrangers, des laboratoires publics ou privés.

Multi-scale modeling of follicular ovulation as a reachability problem

Nki Echenim [†] Frederique Clément [†] Michel Sorine [†]

Abstract

During each ovarian cycle, only a definite number of follicles ovulate, while the others undergo a degeneration process called atresia. We have designed a multi-scale mathematical model where ovulation and atresia result from a hormonal controlled selection process. A 2D-conservation law describes the age and maturity structuration of the follicular cell population. In this paper, we focus on the operating mode of the control, through the study of the characteristics associated with the conservation law. We describe in particular the set of microscopic initial conditions leading to the macroscopic phenomenon of either ovulation or atresia, in the framework of backwards reachable sets theory.

Keywords : biomathematics, conservation laws, method of characteristics, control theory, backwards reachable sets

1 Introduction

The development of ovarian follicles is a crucial process for reproduction in mammals, as its biological meaning is to free fertilizable oocyte(s) at the time of ovulation. A better understanding of follicular development is both a clinical and zootechnical challenge; it is required to improve the control of anovulatory infertility in women, as well as ovulation rate and ovarian cycle chronology in domestic species.

Within all the developing follicles, very few actually reach the ovulatory size; most of them undergo a degeneration process, known as atresia [1]. The ovulation rate (number of ovulatory follicles per cycle) results from an FSH (Follicle Stimulating Hormone)-dependent follicle selection process. FSH acts on the cells surrounding the oocyte, the granulosa cells, and controls both their commitment towards either proliferation, differentiation or apoptosis and their ability to secrete hormones such as estradiol. The whole estradiol output from the ovaries is responsible for exerting a negative feedback on FSH release. Following the subsequent fall in plasmatic FSH levels, most of the follicles undergo atresia and only the ovulatory ones survive in the FSH-poor environment.

We have proposed a mathematical model, using both multi-scale modeling and control theory concepts, to describe the follicle selection process [2]. For each follicle, the cell population dynamics is ruled by a conservation law with variable coefficients, which describes the changes in age and maturity of the granulosa cell density. A control term, representing FSH signal, intervenes both in the velocity and loss terms of the conservation law. Two acting controls are distinguished: a global control resulting from the ovarian feedback and corresponding to FSH plasmatic levels, and a local control, specific to each follicle, accounting for the modulation in FSH bioavailability due to follicular vascularization. Both ovulation triggering and follicular ovulation depend on the reaching of a target.

In this paper, we aim at using control theory to characterize follicular trajectories and the control laws leading to ovulation or atresia. The macroscopic phenomenon of follicular ovulation is considered as a reachability

[†]Unite de Recherche INRIA Rocquencourt, Domaine de Voluceau, Rocquencourt BP 105, 78153 Le Chesnay Cedex, FRANCE
tel: +33 1 39 63 57 41
fax: +33 1 39 63 57 86

problem for the microscopic characteristics associated with the conservation law. The problem is enounced in details and solved in open-loop. Follicles are assumed to ovulate if their state variables, (age, maturity and cell density) reach a given target set. Backwards reachable sets theory is used to define the initial conditions compatible with latter ovulation, for a given control panel. In section 2, the conservation laws describing the model for follicle selection and their characteristics are presented. In section 3, the target corresponding to follicular ovulation is defined. Reachable sets theory is used to solve the corresponding control problem and simulation results are discussed. Section 4 is devoted to the discussion and perspectives.

2 Follicle selection model

2.1 Controlled conservation laws for granulosa cells

Following [2], cells are characterized by their positions within or outside the cell cycle and by their sensitivities to FSH. This leads to distinguish 3 cellular phases within the granulosa cell population. Phases 1 and 2 correspond to the proliferation phases (describing respectively the G1 phase and S to M phases of the cell cycle), and phase 3 corresponds to the differentiation phase, after cells have exited the cell cycle (see Figure 1).

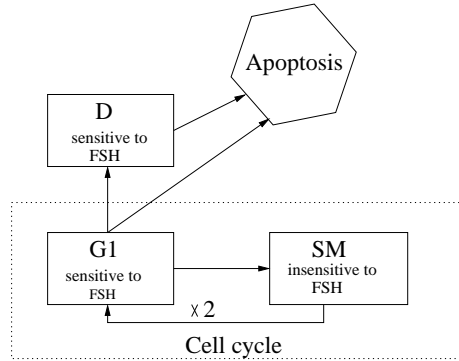


Figure 1: Cell flow chart. The cell cycle consists of the cyclic G1-SM-G1 pathway. When it enters G1 from SM, a mother cell gives birth to two daughter cells. Cell differentiation corresponds to the one-way flow from G1 into D. Entry into apoptosis arises from the G1 and D phases. The G1 and D phases are under the control of FSH signal.

More precisely, the position of a cell at time $t \in [0, T]$ ($T > 0$) is defined by its age and maturity. The cell age a is a marker of progression within the cell cycle (in phases 1 and 2) and evolves as time t outside the cycle (in phase 3). The duration of phase 1 is $a_1 > 0$ and the total cycle duration is a_2 (so that phase 2 duration is $a_2 - a_1 > 0$). The maturity marker γ is used to sort the cycling and non-cycling cells by comparison to a threshold γ_s and to characterize the cell vulnerability towards apoptosis (programmed cell death). Phases 1, 2, 3 correspond respectively to ranges in the values of (a, γ) in the following open sets of the age-maturity plane: (see Figure 2):

$$\Omega_{1,k} =]ka_2, ka_2 + a_1[\times]0, \gamma_s[, \quad \Omega_{2,k} =]ka_2 + a_1, (k+1)a_2[\times]0, \gamma_s[, \quad \Omega_{3,k} =]0, (k+1)a_2[\times]\gamma_s, \gamma_{max}[$$

for integers $k = 0, 1, \dots$. We will also use the notation $Q_{j,k} = \Omega_{j,k} \times]0, T[$ for $j = 1, 2, 3$.

The cell population in a follicle, f , is represented by cell density functions, $\phi_{f,j}^k(a, \gamma, t)$, defined on each cellular phase $Q_{j,k}$, $j = 1, 2, 3$, $k = 0, 1, \dots$ as solutions of the following conservation laws [2]:

$$\frac{\partial \phi_{f,j}^k}{\partial t} + \frac{\partial g_f(u_f) \phi_{f,j}^k}{\partial a} + \frac{\partial h_f(\gamma, u_f) \phi_{f,j}^k}{\partial \gamma} = -\lambda(\gamma, U) \phi_{f,j}^k \quad \text{in } Q_{j,k}, \quad j = 1, 2, 3, \quad k = 0, 1, \dots \quad (1)$$

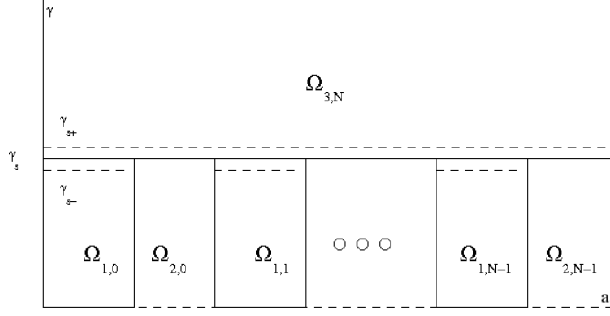


Figure 2: Cellular phases on the age-maturity plane. The cell cycle is represented by the pathway $\Omega_{1,k}$, $\Omega_{2,k}$... and the differentiation phase by $\Omega_{3,N}$.

In phases 1 and 3, both a global control, U , and a local control, u_f , act on the velocities of aging (g_f function, locally controlled in phase 1) and maturation (h_f function, locally controlled in phases 1 and 3) as well as on the loss term (λ apoptosis rate, globally controlled in phases 1 and 3). Phase 2 is uncontrolled and corresponds to completion of mitosis after a pure delay in age, $a_2 - a_1$ (no cell can leave the cycle here). We have the following expressions for those functions, for $k = 0, 1, \dots$ (all parameters are real positive numbers defined in Table 1):

$$g_f(\gamma, u_f) = \tau_{gf}(1 - g_1\omega_{s_-}(\gamma)(1 - u_f)) \quad \text{in } \Omega_{j,k}, j = 1, 3 \quad (2)$$

$$h_f(\gamma, u_f) = \tau_{hf}(-\gamma^2 + (c_1\gamma + c_2)(1 - \omega_s(\gamma)\exp(-u_f/\bar{u}))) \quad \text{in } \Omega_{j,k}, j = 1, 3 \quad (3)$$

$$\lambda(\gamma, U) = \omega_\lambda(\gamma)(1 - U) \quad \text{in } \Omega_{j,k}, j = 1, 3 \quad (4)$$

$$g_f(u_f) = \tau_{gf}, \quad h_f(\gamma, u_f) = \lambda(\gamma, U) = 0 \quad \text{in } \Omega_{2,k} \quad (5)$$

The ω_{s_-} and ω_{s_+} functions are smooth switches between 0 and 1 in a strip defined for all a , $0 < \gamma_{s_-} < \gamma < \gamma_{s_+}$ containing γ_s (we use the notations $|x|_+ = \max(x, 0)$ and $|x|_- = \max(-x, 0)$):

$$\omega_{s_-}(\gamma) = \exp\left(-\frac{|\gamma - \gamma_{s_-}|_+}{|\gamma - \gamma_s|}\right), \quad \omega_{s_+}(\gamma) = \exp\left(-\frac{|\gamma - \gamma_{s_+}|_-}{|\gamma - \gamma_s|}\right), \quad \omega_s(\gamma) = \omega_{s_-}(\gamma) + \omega_{s_+}(\gamma).$$

The factor ω_{s_-} in (2), switches off the control of g_f in phase 3: $g_f = \tau_{gf}$ in $\Omega_{3,k}$, and switches it on for (a, γ) strictly in phase 1, where $g_f(u_f) = \tau_{gf}(1 - g_1 + g_1u_f)$ for $\gamma \leq \gamma_{s_-}$.

In the same manner, ω_s in (3), switches off the control of h_f for $\gamma = \gamma_s$, so that, in a neighbourhood of γ_s , $h_f > 0$ for all t and u_f : the boundary $\gamma = \gamma_s$ is inward for $\Omega_{3,\infty}$ and outward for each $\Omega_{1,k}$. In particular, a cell very close to exit the cycle (in phase 1) is committed to go into phase 3. The exiting flux is controlled by u_f inside phase 1 before the cell maturity reaches γ_s : the sign of h_f can be changed by the control only below γ_{s_-} .

In complement to this local control (by u_f) of the exit flux from the cell cycle, a global control is exerted (by U , $U \leq 1$) on the cell vulnerability towards apoptosis, in a zone surrounding γ_s , through the function $\omega_\lambda(\gamma) = K \exp\left(-\left(\frac{\gamma - \gamma_s}{\bar{\gamma}}\right)^2\right)$ in (4).

Each boundary segment of each (rectangular) $\Omega_{j,k}$, $j = 1, 3$, $k = 0, 1, \dots$ is either inward or outward, independently on time t or controls u_f , U , so that we can consider the following boundary conditions (the use of the trace values and the wellposedness of this model will be discussed later):

Boundary conditions for $\phi_{f,1}^k$, $t \in]0, T[$:

$$g_f(\gamma, u_f)\phi_{f,1}^k(ka_2, \gamma, t) = \begin{cases} 2\tau_{gf}\phi_{f,1}^{k-1}(ka_2, \gamma, t), & \text{for } k \geq 1, \\ 0, & \text{for } k = 0 \end{cases} \quad \text{for } \gamma \in]0, \gamma_s[. \quad (6)$$

$$\phi_{f,1}^k(a, 0, t) = 0, \quad \text{for } a \in]ka_2, ka_2 + a_1[\quad (7)$$

Boundary conditions for $\phi_{f,3}^N$, $N \geq 1$, $t \in]0, T[$:

$$\phi_{f,3}^N(0, \gamma, t) = 0, \text{ for } \gamma \in]\gamma_s, \gamma_{max}[\quad (8)$$

$$\phi_{f,3}^N(a, \gamma_s, t) = \begin{cases} \phi_{f,1}^k(a, \gamma_s, t), & \text{for } a \in [ka_2, ka_2 + a_1[\\ 0, & \text{for } a \in [ka_2 + a_1, (k+1)a_2[\end{cases}, \text{ for } k = 0, \dots, N-1. \quad (9)$$

Initial conditions:

$$\phi_{f,j}^k(a, \gamma, 0) = \phi_{f0}^k(a, \gamma)|_{\Omega_{j,k}}, \quad j = 1, 3. \quad (10)$$

In (6), the delay $a_2 - a_1$ and the doubling of the flux due to mitosis have been explicitly taken into account, so that it is not necessary anymore to consider phase 2 and $\phi_{f,2}^k$ in the model. The cell density of interest in a follicle, ϕ_f^N , is simply:

$$\phi_f^N = \phi_{f,1}^k \text{ on } Q_{1,k}, \quad k = 0, \dots, N-1, \quad \phi_f^N = \phi_{f,3}^N \text{ on } Q_{3,N}$$

In practice, we will fix the value of N to a large enough integer, and use the notations ϕ_f and $a_{max} = Na_2$. ϕ_f can be computed by solving the series of problems:

$$1. \quad P_{1,k} : \quad (1), (6), (7), (10) \text{ on } Q_{1,k}, \quad \text{for } k = 0, \dots, N-1. \quad (11)$$

$$2. \quad P_{3,N} : \quad (1), (8), (9), (10) \text{ on } Q_{3,N}, \text{ when the } P_{1,k} \text{ are solved.} \quad (12)$$

It is worth noticing that those problems can be solved in sequence when the traces of the solutions of $P_{1,k}$ on their outward boundaries (left and upper segments) are well defined. This is a useful property for the efficiency of computations and the backward reachability technique.

The feedback exerted by the ovaries on the secretion of the hormonal control FSH defines a closed-loop system (cf. Figure 3). The global control U can be interpreted as FSH plasmatic level. The local control u_f represents intra-follicular bioavailable FSH levels. It is given as a proportion of U .

Define the maturity operator M as:

$$M(\varphi)(t) = \int_0^{\gamma_{max}} \int_0^{a_{max}} \gamma \varphi(a, \gamma, t) da d\gamma \quad (13)$$

The global maturities $M(\phi_f)$ on the follicular scale, and $M(\sum_f \phi_f)$ on the ovarian scale, will be used to define the two-scale feedback control:

$$\begin{aligned} U &= S_\tau(M(\sum_f \phi_f)) + U_0 \\ u_f &= b_{f\tau_f}(M(\phi_f)).U \end{aligned} \quad (14)$$

where $S(\mu) = U_s + \frac{1 - U_s}{1 + \exp(c(\mu - m))}$, $S_\tau(\mu)(t) = S(\mu(t - \tau))$

$$b_f(\mu) = b_1 + \frac{1 - b_1}{1 + \exp(b_2(b_3 - \mu))}, \quad b_{f\tau_f}(\mu)(t) = b_f(\mu(t - \tau_f))$$

The decreasing sigmoid function S accounts for the ovarian negative feedback on FSH ; $U_0(t)$ is a potential exogenous entry. The increasing sigmoid function b_f makes u_f increase with the maturity of follicle f , up to its reaching FSH plasmatic values. The delay τ is introduced to take into account the time needed for FSH signal to reach the ovaries; and the local delay τ_f , that can be neglected in practice ($\tau_f \ll \tau$) is mainly here to facilitate the resolution on finite time intervals. The delayed versions of S and b_f are denoted S_τ and $b_{f\tau_f}$ respectively. The parameters are chosen such that U and b_f are normalized: $0 < b_1, U_s < 1$, so that:

$$0 \leq u_f \leq U \leq 1 + U_0. \quad (15)$$

Functions and parameters	Definition	Nominal value
$S[M(\sum_f \phi_f)]$	Global feedback control	
U_s	minimal plasmatic FSH value	0.5
c	slope parameter of the sigmoid function	0.1
m	abscissa of the inflexion point of the sigmoid function	50
τ	FSH delay from the pituitary gland to the ovaries	0.01
$b_f[M(\phi_f)]$	Local feedback gain	
b_1	basal level	0.054
b_2	exponential rate	0.3
b_3	scaling parameter	27
τ_f	delay to modify local vascularization	0.01
$g_f(u_f)$	Aging velocity	
τ_{gf}	time scale parameter	1
g_1	control gain in phase 1	0.5
$h_f(\gamma, u_f)$	Maturation velocity	
τ_{hf}	time scale parameter	0.07
c_1	slope parameter	11.892
c_2	origin ordinate	2.288
\bar{u}	scaling parameter	0.133
$\omega_\lambda(\gamma)$	Global feedback gain	
K	amplification constant	3
$\bar{\gamma}$	scaling parameter	0.2
a_1	cellular age at the end of phase 1	1
a_2	cellular age at the end of phase 2	2
N	maximum number of cell cycles	8
γ_s	maturity threshold for cell cycle exit	3
γ_{s-}	maturity threshold for switching off control in phase 1	2.99
γ_{s+}	maturity threshold for switching on control in phase 3	3.01
γ_{max}	maximum maturity	15
M_s	ovarian threshold for ovulation triggering	75
M_{s1}	follicular threshold for ovulation ability	40

Table 1: Main model functions and parameters

Ovulation is triggered when estradiol levels reach a threshold value M_s . As estradiol secretion is related to maturity (see [2]), the ovulation time T_s is defined as:

$$T_s = \min\{T \mid M(\sum_f \phi_f)(T) = M_s\} \quad (16)$$

The follicles are then sorted according to their individual maturity. The ovulatory follicles are those whose maturity at time T has overpassed a threshold M_{s1} such as $M_{s1} \leq M_s$. The ovulation rate is computed as:

$$N_{s,s1} = \text{Card}\{f \mid M(\phi_f)(T_s) \geq M_{s1}\} \quad (17)$$

For instance, Figure 4 shows, on the age-maturity domain, the cell density of either an ovulatory follicle (left panel) or an atretic one (right panel) at ovulation time. The cell cycle is implemented on a periodic domain, where the age a is reset after the cells go through mitosis. The granulosa cell repartition in the ovulatory follicle is characterized by a roughly older age range, and a higher maturity and cell density ranges than in the atretic follicle.

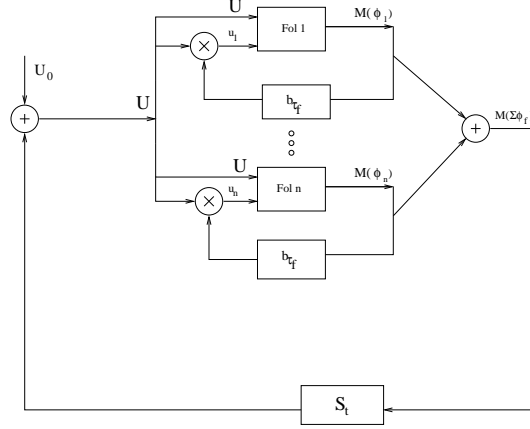


Figure 3: Ovarian system: the multi-scale model in closed-loop. *The global feedback control U is modulated on the follicle scale (Fol i), by the follicular maturity, $M(\phi_i)$, to define the local control u_{fi} .*

2.2 Wellposedness of the model

We have obtained a compact expression of the model by using a density representation of the cell population instead of a discrete model with a huge number of cells. Even if reasoning about controlled trajectories of individual cells will be useful in the sequel, the global numerical simulations are based on this compact form. It is then useful to discuss the wellposedness of the model in order to check, to some extent, its consistency. Due to the delays in the feedback control laws, we can consider the u_f and U control terms as given functions of time on each interval of size τ_f . The velocities and loss term are then given functions $g_f(\gamma, t)$, $h_f(\gamma, t)$ and $\lambda(\gamma, t)$. In this case, we show below that there exists a unique solution to the series of problems (11), (12). In each domain $Q_{1,k}$, $Q_{3,N}$, the velocity field (g_f, h_f) and the loss rate λ can be considered, without loss of expressiveness for the model, as smooth functions. Yet, initial and boundary values may be irregular, so that we need to check the existence of weak solutions.

As mentioned below, it is sufficient to solve the sequence of $P_{1,k}$ and then $P_{3,N}$ to define ϕ_f . Since those problems have a common structure, we just need to study the solution of $P_{1,k}$ and its traces on the outward boundary used to define both $P_{1,k+1}$ and $P_{3,N}$.

We first use a change of variables to transform (1) into a conservation equation without a loss term. Let $\phi_{f,1}^k = \tilde{\phi}_{f,1}^k \exp(l(\gamma, t))$ defined on $Q_{1,k}$. Let $\partial Q_{1,k}^+$ and $\partial Q_{1,k}^-$ denote the inward and outward boundaries of the domain $Q_{1,k}$, and let $l(\gamma, t)$ such as

$$\frac{\partial l(\gamma, t)}{\partial t} + h_f(\gamma, t) \frac{\partial l(\gamma, t)}{\partial \gamma} = -\lambda(\gamma, t), \quad l(\gamma, 0) = 0 \quad (18)$$

Here, we can assume that h_f and λ (extended to all $\gamma \in \mathbb{R}$) are C^1 functions, so that, according to standard theory, there exists a unique generalized solution l of the linear transport equation (18), that is Lipschitz for all $t > 0$. Now $\tilde{\phi}_{f,1}^k$ verifies

$$\frac{\partial \tilde{\phi}_{f,1}^k}{\partial t} + \text{div}(v_f \tilde{\phi}_{f,1}^k) = 0 \quad (19)$$

where v_f is the (smooth) velocity vector: $v_f = \begin{pmatrix} g_f(\gamma, t) \\ h_f(\gamma, t) \end{pmatrix}$.

Non homogeneous boundary conditions on $\partial Q_{1,k}^+$, similar to (6), (7) complete (19). To solve such a problem, with L^∞ or L^1 boundary and initial values, extensions to the classical Kruzkov entropy solutions ([3]) to

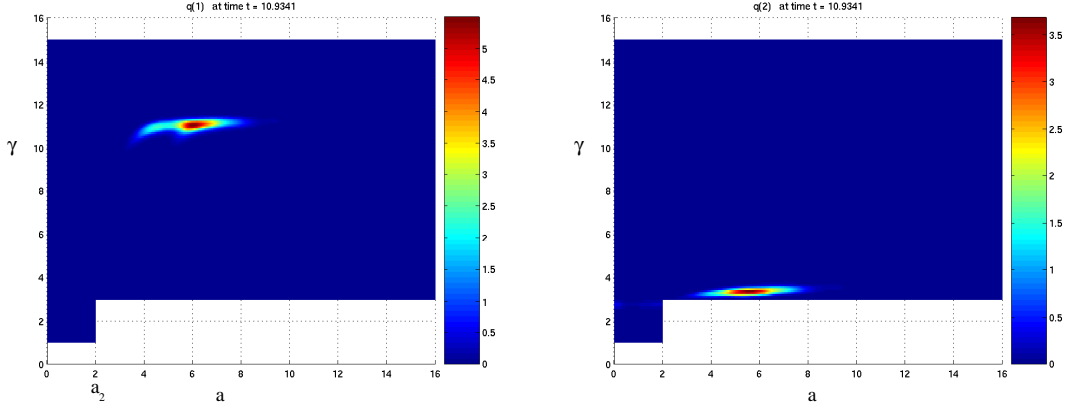


Figure 4: Cell density of an ovulatory follicle (left) and an atretic follicle (right). The horizontal axis represents the cell age, the vertical axis the cell maturity, and the colorbar indicates the cell density value (number of cells per elementary age \times maturity volume). a_2 is the cell cycle duration (2 age units).

boundary value problems have been proposed (see e.g. [4] and [5] where renormalized entropy solutions are defined for this type of problem). An additional problem faced here consists in defining the trace of the solution on the outward boundary $\partial Q_{1,k}^-$, in order to solve the next problems $P_{1,k+1}$. It is not clear whether this trace can be defined here for such weak solutions. As $v_f \in (L^\infty(Q_{1,k}))^2$ and $\text{div}(v_f) \in L^\infty(Q_{1,k})$, an alternative is to use the results of [6], to define a unique solution $\tilde{\phi}_f^k \in L^2(Q_{1,k})$ with well defined trace in $L^2(\partial Q_{1,k}^-)$ as soon as the boundary data are in $L^2(\partial Q_{1,k}^+)$. A drawback of this alternative is that, in our case, it is not known whether those solutions coincide with classical weak solutions.

2.3 Characteristic equations

The model deals with controlled partial differential equations. Up to now, no convincing control strategy for such velocity controlled conservation laws with integro-differential control terms is available from the literature. To tackle the control problems, we focus on the actions of the control terms on the characteristics of the conservation laws. As the solution of the conservation laws is L^2 , we can derive the characteristic equations.

We now deal with the following ordinary differential equations [7]:

$$\begin{cases} \dot{a}_c = g_f(\gamma_c, u_f) \\ \dot{\gamma}_c = h_f(\gamma_c, u_f) \\ \dot{\phi}_{fc} = - \left(\lambda(\gamma_c, U) + \frac{\partial h_f(\gamma_c, u_f)}{\partial \gamma_c} \right) \phi_{fc} \end{cases} \quad c = 1 \dots n \quad (20)$$

where g_f , h_f and λ are defined in (2),(3),(4),(5) and n is the number of characteristics.

The local control u_f acts on the position of the characteristics on the (a_c, γ_c) spatial domain at a given time, and U on the loss term λ .

The transfer conditions between the cellular phases are continuous on a_c and γ_c and discontinuous on ϕ_{fc} . From phase 1 to phase 2 (crossing the right boundary of some $\Omega_{1,k}$), the flux continuity condition reads:

- for T_k such as: $a_c(T_k) = a_1 + ka_2$, $0 \leq \gamma_c(T_k) \leq \gamma_s$, for some $k \in \mathbb{N}$,

$$\phi_{fc}(T_k^+) = (1 - g_1 \omega_{s-}(\gamma)(1 - u_f(T_k^-))) \phi_{fc}(T_k^-) \quad (21)$$

From phase 2 to phase 1 (crossing the left boundary of some $\Omega_{1,k}$), after mitosis, the flux doubling condition reads:

- for T_k such as: $a_c(T_k) = ka_2$, $0 \leq \gamma_c(T_i) \leq \gamma_s$ for some $k \in \mathbb{N}$,

$$(1 - g_1\omega_{s-}(\gamma)(1 - u_f(T_k^+))) \phi_{fc}(T_k^+) = 2\phi_{fc}(T_k^-) \quad (22)$$

Ovulatory follicles are distinguished from the atretic ones by their characteristic curves reaching a well defined zone of the $(a_c, \gamma_c, \phi_{fc})$ space at a given time, as we can see on Figure 4. In the next section, we study to which extent characteristics curves can reach the target sets when subject to appropriate open-loop control laws.

3 Backwards reachable sets

3.1 Link with Hamilton-Jacobi-Bellman equations

We assume that a follicle ovulates (respectively undergoes atresia) at time T if:

$\forall c = 1 \dots n$, $(a_c(T), \gamma_c(T), \phi_{fc}(T)) \in \mathcal{M}_o$ (resp. $\in \mathcal{M}_a$) where \mathcal{M}_o and \mathcal{M}_a are the targets for respectively ovulation and atresia.

We focus here on the backwards problem, and we first introduce the elements of its solution, the solvability tube [8] (or the backward reachable set [9]) associated with \mathcal{M}_o (resp. \mathcal{M}_a), i.e. the states from which it is possible to reach \mathcal{M}_o (resp. \mathcal{M}_a), given admissible controls U and u_f . From a physiological viewpoint, it corresponds to the initial conditions compatible with ovulation (resp. atresia) and subject to correct control laws amongst the set of admissible controls.

We recall briefly how such backwards reachability problems can be solved in the framework of optimal control theory. Let us consider the following nonlinear continuous controlled dynamics, where f is a Lipschitz continuous function, so that there is a unique continuous solution for any measurable $u(t)$:

$$\begin{cases} \dot{x} = f(t, x, u), & t \geq \tau \\ x(\tau) \in \mathbb{R}^n \\ u \in \mathcal{U} \subset \mathbb{R}^m \end{cases} \quad (23)$$

Given a closed target set $\mathcal{M} \in \mathbb{R}^n$ and two times τ and t_1 , the solvability set $W(\tau, t_1, \mathcal{M})$ is the set of states $x \in \mathbb{R}^n$ such that there exist control functions u with values in the compact set \mathcal{U} that steer system (23) from the state $x(\tau) = x$ to $x(t_1) \in \mathcal{M}$ [8]. $W(\tau, t_1, \mathcal{M})$ can be computed by solving the following optimization problem where $d^2(x, X) = \min\{\|x - z\|^2 \mid z \in X\}$ is the square of the distance $d(x, X)$ from point x to set X :

$$\min_{u \in \mathcal{U}} \{d^2(x(t_1), \mathcal{M}) \mid x(\tau) = x\} \quad (24)$$

The solution of this optimal control problem can be found by solving the following backward Hamilton-Jacobi-Bellman (HJB) equations, where $H_f(D_x V, x) = \min_{u \in \mathcal{U}} \{(D_x V)^T \cdot f(t, x, u)\}$ is the Hamiltonian [10]:

$$V_t + H_f(D_x V, x) = 0, \quad t \leq t_1, \quad V(t_1, x) = d^2(x(t_1), \mathcal{M}) \quad (25)$$

Then the following property is true [8]:

$$W(\tau, t_1, \mathcal{M}) = \{x \mid V(\tau, x) \leq 0\} \quad (26)$$

The solvability tube is then the set-valued function of the starting time t for given t_1 and \mathcal{M} :

$$\mathcal{W}[t_1, \mathcal{M}] : \quad t \rightarrow \mathcal{W}[t_1, \mathcal{M}](t) = W(t, t_1, \mathcal{M}), \quad \tau \leq t \leq t_1. \quad (27)$$

Any initial time t is thus associated with a delay of exactly $(t_1 - t)$ to reach the target.

In contrast, the backward reachable set is the set of states from which it is possible to reach the target in at most $(t_1 - t)$ [9]:

$$\mathcal{G}(t; t_1, \mathcal{M}) = \bigcup_{t \leq s \leq t_1} W(t, s, \mathcal{M}), \quad t \leq t_1. \quad (28)$$

This set can also be characterized in the same manner as in expression (26). It is the zero sublevel set of the V function solution of the HJB equation:

$$V_t + \min(0, H_f(D_x V, x)) = 0, \quad t \leq t_1, \quad V(t_1, x) = d^2(x(t_1), \mathcal{M}) \quad (29)$$

$$\mathcal{G}(t; t_1, \mathcal{M}) = \{x \in R^n \mid V(t, x) \leq 0\} \quad (30)$$

In the next section, we use the numerical methods based on equations (29), (30) to compute the \mathcal{G} set [11, 12]. This choice is convenient since it seems easier to compute the \mathcal{G} set than the \mathcal{W} set-valued function, but it amounts to deal with desynchronized final times. Indeed, in the $\mathcal{W}[t_1, \mathcal{M}]$ tube, every states considered at the same starting time reach the \mathcal{M} target at the same final time t_1 , whereas in $\mathcal{G}(t; t_1, \mathcal{M})$ states reaching the \mathcal{M} target at different final times (provided that they are not later than t_1) are fused. To ensure that every states reaching the target remain inside until t_1 , the control function has to be extended.

3.2 Application to granulosa cells

3.2.1 The follicle as a controlled dynamical system

We represent each follicle by n cells following characteristic curves of (1) defined by three state variables: age, maturity and cell density as in (20). The model of the follicle is then of the form (23) with $3n$ state variables:

$$x(t) = (a_1(t), \dots, a_n(t); \gamma_1(t), \dots, \gamma_n(t); \phi_{f1}(t), \dots, \phi_{fn}(t))^T$$

and for each cellular phase $i = 1, 2, 3$, the dynamics is defined by the following f_i :

$$f_i = \begin{pmatrix} g_f(\gamma_1, u_f) \\ \vdots \\ g_f(\gamma_n, u_f) \\ h_f(\gamma_1, u_f) \\ \vdots \\ h_f(\gamma_n, u_f) \\ K(\gamma_1, u_f, U)\phi_{f1} \\ \vdots \\ K(\gamma_n, u_f, U)\phi_{fn} \end{pmatrix} \quad (31)$$

where g_f and h_f are defined in (2), (3), (5) and $K(\gamma_c, u_f, U)$ is defined by

$$\begin{aligned} \text{Phases 1 and 3:} \quad & \forall k, N \in \mathbb{N}, \quad \forall (a_c, \gamma_c) \in \Omega_{1,k} \cup \Omega_{3,N} \\ & K(\gamma_c, u_f, U) = - \left(\lambda(\gamma_c, U) + \frac{\partial h_f(\gamma_c, u_f)}{\partial \gamma_c} \right) \end{aligned} \quad (32)$$

$$\begin{aligned} \text{Phase 2:} \quad & \forall k \in \mathbb{N}, \quad \forall (a_c, \gamma_c) \in \Omega_{2,k} \\ & K(\gamma_c, u_f, U) = \ln(2)\delta(a_c)\phi_{fc}, \quad \text{with} \quad \int_{ka_2+a_1}^{(k+1)a_2} \delta(a)da = 1 \end{aligned} \quad (33)$$

The expression of $K(\gamma_c, u_f, U)$ in phase 2 results from the regularization by a smooth positive function $\delta(a)$ of the mitosis at the transition (22) between phases 2 and 1, that will be used in the numerical treatment of the equations where the transmission boundaries are included in the computational domain. The precise choice for $\delta(a)$ does not matter since its only role is to guarantee that the density of cells entering phase 2 at time ka_1 has doubled at time $ka_1 + a_2$. Since $a_2 - a_1 = 1$, the simplest choice is $\delta(a) = 1$ so that we have $\delta(a_c) = 1$, resulting in $K(\gamma_c, u_f, U) = \ln(2)\phi_{fc}$.

According to physiological knowledge, we can consider that there exists a maximal age, a_{max} , beyond which all cells become senescent and die. This assumption introduces the notion of a maximal life time T_{max} such

that $a(T_{max}) = a_{max}$ (T_{max} exists because $\dot{a} > g_2 > 0$). Hence, there is also a maximal maturity γ_{max} and a maximal cell density ϕ_{fmax} attainable for $t \in [0, T_{max}]$. The f_i are Lipschitz continuous, so that there is a unique solution x within each phase.

We now state some properties of this controlled system and the corresponding reachable targets in the age-maturity plane. We first describe the control action on the orientation of the velocity field:

In the interior of phases 1 & 3: $\forall u_f \in \mathcal{U}$,

$$g_h \geq g_1 \tau_{gf} \equiv 0.5 \tau_{gf} \quad (34)$$

$$\begin{cases} h_f(\gamma, u_f) \geq 0, & \text{for } u_f \geq u_f^* \text{ and } 0 \leq \gamma \leq \gamma_+(1/\bar{u}) \\ h_f(\gamma, u_f) \leq 0, & \text{for } u_f \leq u_f^* \text{ and } 0 \leq \gamma \leq \gamma_+(1/\bar{u}) \\ h_f(\gamma, u_f) \leq 0, & \text{for all } u_f \text{ and } \gamma_+(U/\bar{u}) \leq \gamma \leq \gamma_{max} \end{cases} \quad (35)$$

In the interior of phase 2: $\forall u_f \in \mathcal{U}$,

$$g_h = 1, \quad h_f = 0. \quad (36)$$

with:

$$u_f^*(\gamma) = \begin{cases} \bar{u} \ln \left(\frac{c_1 \gamma + c_2}{c_1 \gamma + c_2 - \gamma^2} \right) & \text{for } 0 \leq \gamma \leq \gamma_+(1/\bar{u}) \\ 1 & \text{for } \gamma_+(1/\bar{u}) \leq \gamma \leq \gamma_{max} \end{cases} \quad (37)$$

$$\gamma_{\pm}(\nu) = \frac{c_1(\nu) \pm \sqrt{c_1(\nu)^2 + 4c_2(\nu)}}{2}, \quad \text{with } c_i(\nu) = c_i(1 - \exp(-\nu)), \quad i = 1, 2. \quad (38)$$

We just sketch the proof (easy but tedious) of these properties. We can first remark that, in the interior of phases 1 and 3 excluding the strip defined by $\gamma_{s\pm}$, the $\omega_{s\pm}$ functions can only take as values 0 or 1. In this interior subset $h_f(\gamma, u_f)$ is defined as

$$\begin{aligned} h_f(\gamma, u_f) &= \tau_{hf}(-\gamma^2 + (c_1 \gamma + c_2)(1 - \omega_s(\gamma) \exp(-u_f/\bar{u}))) \\ &= \tau_{hf}(\gamma_+(u_f/\bar{u}) - \gamma)(\gamma - \gamma_-(u_f/\bar{u})) \end{aligned}$$

It is easy to check that h_f has the sign of $(\gamma_+(u_f/\bar{u}) - \gamma)$. Besides, γ_+ is an increasing function of u_f , since

$$\gamma_+'(\nu) = \frac{c_1 \gamma_+(\nu) + c_2}{\sqrt{c_1(\nu)^2 + 4c_2(\nu)}} \exp(-\nu)$$

Hence $0 \leq \gamma_+(u_f/\bar{u}) \leq \gamma_+(u_{max}/\bar{u}) \equiv \gamma_+(1/\bar{u})$, so that we can solve $h_f(\gamma^*, u_f) = 0$ and define $u_f^*(\gamma)$ such that $\gamma_+(u_f^*(\gamma)/\bar{u}) = \gamma$ for $0 \leq \gamma \leq \gamma_+(1/\bar{u})$. Finally, as $\exp\left(-\frac{1}{\bar{u}}\right)$ is very small,

$$\gamma_+(1/\bar{u}) \approx (1 - \exp(-1/\bar{u})) \frac{c_1 + \sqrt{c_1^2 + 4c_2}}{2} < \gamma_{max}$$

This yields property (35). The remaining properties (34) and (36) are obvious.

Such results imply the following properties of the reachable targets:

1. As $g_h > 0$, the ages of cells in the reachable targets set have to be larger than those of the cells in their initial conditions. Hence, the reachable targets are on the right of the cell initial positions in the age-maturity plane.
2. For a given global control U and maturities $0 \leq \gamma \leq \gamma_+(U/\bar{u})$, property (35) shows that it is possible, using a local feedback u_f around the feedback u_f^* , to either increase, decrease or maintain the maturity.

In particular, if a target maturity is reached and U remains large enough, the cells remains inside the target. For such targets \mathcal{M} , $\mathcal{G}(t ; t_1, \mathcal{M}) = W(t ; t_1, \mathcal{M})$. It is also possible to reach a target and then leave it, e.g. if U is lowered. This set-equality depends then strongly on the control strategies and positions of the targets with respect to $\gamma_+(1/\bar{u})$.

3. As $U \leq 1$, maturities $\gamma_+(1/\bar{u}) \leq \gamma \leq \gamma_{max}$ are not reachable.

Subsequently, we assume that:

$$\text{the target ages are large enough (e.g. } > a_1 + a_2) \quad (39)$$

$$\text{the target maturities are below } \gamma_+(1/\bar{u}) \quad (40)$$

so that it is not impossible to reach them (but success is not guaranteed, the density conditions needing also to be met).

3.2.2 The Hamiltonian in each cellular phase

The HamiltonJacobi-Bellman (HJB) equations associated with the backwards reachable sets are solved once a target has been defined and the Hamiltonians in each phase have been minimized according to the control terms. We do not use here the feedforward term: $U_0 = 0$. Hence both the global and local FSH signals operate as best-case feedback controls subject to the explicit constraints (rewriting (15)) $0 \leq u_f \leq U \leq 1$. We note $u = (u_f, U)^T$ the control and \mathcal{U} the set of admissible controls. Such constraints take into account the following physiological knowledge:

- (i) the level of FSH in the antral¹ fluid is at much as high as FSH plasmatic levels, which implies $u_f \leq U$;
- (ii) there is a basal secretion (i.e. not subject to ovarian feedback) of FSH by the pituitary gland, which implies $U \geq 0$;
- (iii) the balance between the secretion rate (or exogenous administration rate) and the clearance rate ensure the saturation of FSH plasmatic levels, which implies $U \leq 1$.

Two coupled biological questions underlie this reachability problem: (1) which patterns of exogenous FSH administration can be applied to target either ovulation or atresia and (2) how follicular vascularization should develop to remain compatible with those patterns. The answer to such questions might help improving the current FSH treatments, which suffer from several drawbacks such as ovarian overstimulation syndrome.

To reach a given target \mathcal{M} from its current location in phase $\Omega_{i,k}$ ², a cell (or the lineage of its daughter cells) has to reach some intermediate or final target in the closure of the $\Omega_{i,k}$ domain.

For instance, in the case of the ovulatory target $\mathcal{M} = \mathcal{M}_o$ ($\mathcal{M}_o \subset \Omega_{3,N}$) $\mathcal{W}[t_1, \mathcal{M}_o]$ following the solvability tube backward from Phase 3 leads to the boundary between $\Omega_{3,k}$ and $\Omega_{1,k}$ ($k \leq N$); the intersection of this boundary with the solvability tube defines a new target set $\mathcal{M}_{o,1,k}$, in $\Omega_{1,k}$.

Such intersections depend smoothly upon the width of the thin strip $0 < \gamma_{s_-} < \gamma < \gamma_{s_+}$ containing these boundaries where the control has little effects. In the following, we suppose that $\gamma_{s_-} = \gamma = \gamma_{s_+}$ so that ω_{s_-} and ω_{s_+} are replaced by perfect switch functions.

In each cellular phase i , in order to compute the backward reachable set $\mathcal{G}(t_1 - t ; t_1, \mathcal{M}_i)$, i.e. the set of states from which it is possible to reach the target \mathcal{M}_i in less than a given time t , we have to solve an HJB equation of the form (29) and use the definition (30):

$$V_t + \min(0, H_{f_i}(D_x V, x)) = 0, \quad t \leq t_1, \quad V(t_1, x) = d^2(x(t_1), \mathcal{M}_i) \quad (41)$$

$$\mathcal{G}(t ; t_1, \mathcal{M}) = \{x \in R^n \mid V(t, x) \leq 0\} \quad (42)$$

where $H_{f_i}(p, x) = \min_{u \in \mathcal{U}}(p^T \cdot f_i(x, u))$, with $p = D_x V = (p_{a_1}, \dots, p_{a_n}, p_{\gamma_1}, \dots, p_{\gamma_n}, p_{\phi_{f_1}}, \dots, p_{\phi_{f_n}})^T$.

¹ovarian follicles are spheroidal structures hollowed by a cavity called the antrum

²where i stand for the phase index and k for the number of cell generation elapsed since initial time

If the targets fulfil the conditions (39) and (40) discussed above, we can conclude that:

i) Starting from cell ages "younger" than the target ages, for all $u \in \mathcal{U}$, the cells get closer in age to target: For all i , $p_{a_i} \cdot g_f(\gamma_i, u_f) \leq 0$, as $p_{a_i} \leq 0$ and $g_f > 0$.

ii) For the particular choice $U = 1$ and $u_f = u_f^*$, we have $h_f(\gamma_i, u_f) = 0$, so that:

For all i , $p_{\gamma_i} \cdot h_f(\gamma_i, u_f^*) = 0$.

In particular, $p^T \cdot f_i(x, u_f^*) \leq 0$, so that $H_{f_i}(p, x) \leq 0$. We have thus shown that in our case, solving equation (41) amounts to solve the following simpler HJB equation to compute \mathcal{G} :

$$V_t + H_{f_i}(D_x V, x) = 0, \quad t \leq t_1, \quad V(t_1, x) = d^2(x(t_1), \mathcal{M}_i) \quad (43)$$

$$\mathcal{G}(t; t_1, \mathcal{M}) = \{x \in R^n \mid V(t, x) \leq 0\} \quad (44)$$

We now compute the Hamiltonian $H_{f_i}(p, x)$ in each phase.

Phases 1 & 3

We first compute $p^T \cdot f_i(x, u)$, for $i = 1, 3$.

$$p^T \cdot f_i(x, u) = \sum_{c=1}^n p_{a_c} g_f(u_f) + \sum_{c=1}^n p_{\gamma_c} h_f(\gamma_c, u_f) + \sum_{c=1}^n p_{\phi_{f_c}} \phi_{f_c} K(\gamma_c, u_f, U)$$

which can be rewritten as follows:

$$p^T \cdot f_i(x, u) = H_0(p, x) - A(p, x) \exp(-u_f/\bar{u}) + B(p)u_f + C(p, x)U$$

with (using equations (2), (3) and (32))

$$H_0(p, x) = \tau_{gf}(1 - g_1) \sum_{c=1}^n p_{a_c} + \tau_{hf} \sum_{c=1}^n p_{\gamma_c} (-\gamma_c^2 + c_1 \gamma_c + c_2) + \sum_{c=1}^n p_{\phi_{f_c}} \phi_{f_c} K_0(\gamma_c),$$

$$\text{where } K_0(\gamma) = -(\omega_\lambda(\gamma) + \tau_{hf}(-2\gamma + c_1)),$$

$$A(p, x) = \tau_{hf} \sum_{c=1}^n (p_{\gamma_c} (c_1 \gamma_c + c_2) - c_1 p_{\phi_{f_c}} \phi_{f_c}),$$

$$B(p) = \tau_{gf} g_1 \sum_{c=1}^n p_{a_c}, \quad C(p, x) = \sum_{c=1}^n p_{\phi_{f_c}} \phi_{f_c} \omega_\lambda(\gamma_c).$$

Now we minimize this expression with respect to $u \in \mathcal{U}$.

$$H_{f_i}(p, x) = \min_{u \in \mathcal{U}} (p^T \cdot f_i(x, u)) = H_0(p, x) + \min_{0 \leq u_f \leq U \leq 1} (B(p)u_f - A(p, x) \exp(-u_f/\bar{u}) + C(p, x)U).$$

It is equivalent to minimize first over U with $u_f \leq U \leq 1$ and then over u_f with $0 \leq u_f \leq 1$ (we drop the arguments x, p for simplicity):

$$H_{f_i} = H_0 + \min_{0 \leq u_f \leq 1} \left(\min_{u_f \leq U \leq 1} (B u_f - A \exp(-u_f/\bar{u}) + C U) \right)$$

When $C \geq 0$, we have $H_{f_i} = H_0 + \min_{0 \leq u_f \leq 1} ((B + C)u_f - A \exp(-u_f/\bar{u}))$.

When $C < 0$, we have $H_{f_i} = H_0 + C + \min_{0 \leq u_f \leq 1} (B u_f - A \exp(-u_f/\bar{u}))$.

We have then to solve $\min_{0 \leq u_f \leq 1} (\tilde{B} u_f - A \exp(-u_f/\bar{u}))$ with $\tilde{B} = B + |C|_+$.

When $A \geq 0$ (resp. $A < 0$), $\tilde{B} u_f - A \exp(-u_f/\bar{u})$ is a concave (resp. convex) function of u_f and the minimizing control is now easy to compute, leading to the following feedback law:

$$\text{When } A(p, x) \geq 0: u_f = 0 \text{ if } -A(p, x) \leq \tilde{B}(p, x) - A(p, x) \exp(-1/\bar{u}), \text{ else } u_f = 1 \quad (45)$$

$$\text{When } A(p, x) < 0: u_f = -\bar{u} \ln\left(-\frac{\tilde{B}(p, x)\bar{u}}{A(p, x)}\right) \text{ if } \frac{\tilde{B}(p, x)\bar{u}}{|A(p, x)|} \geq \exp(-1/\bar{u}), \text{ else } u_f = 1 \quad (46)$$

Phase 2

This phase is not controlled so that the expression of the Hamiltonian is straightforward using (33):

$$H_{f2} = \tau_{gf} \sum_{c=1}^n p_{a_c} + \ln(2) \sum_{c=1}^n p_{\phi_{fc}} \delta(a_c) \phi_{fc}$$

This analytical minimization enables to write the expression of the Hamiltonian in each cellular phase.

3.3 Numerical results

3.3.1 Implementation: level set methods

Two main approaches are used to find reachable sets: the Eulerian approach approximates the solution values on a fixed grid, whereas the Lagrangian approach tracks the trajectories of the dynamics. In case of backwards reachable sets, Eulerian methods are the most appropriate, as they enable to correctly compute the solution beyond shocks [13].

Amongst the various Eulerian methods available to compute the exact reachable sets, we used “level set methods” to solve Eq.(25). They enable to simulate the motion of dynamic surfaces, such as the zero-level set of HJB equations [12], with a very high accuracy (about a tenth of the spacing between the grid points [13]).

Such level set algorithms are implemented in the “Toolbox of Level Set Methods”³, which can be used to solve, among others, equations of the form:

$$D_t V(x, t) + H(x, D_x V) = 0$$

with the constraints $D_t V(x, t) \geq 0$ or $V(x, t) \geq \tilde{V}(x, t)$

The time derivative, $D_t V$, is approximated by a Runge-Kutta scheme, with customizable accuracy. The spatial derivative, $D_x V$, is approximated with an upwind finite difference scheme. The Hamiltonian, $H(x, p)$, is approximated with a Lax-Friedrichs scheme:

$$\hat{H}(x, p^+, p^-) \equiv H(x, \frac{p^+ + p^-}{2}) - \frac{1}{2} \alpha^T (p^+ - p^-)$$

where p^+ and p^- are respectively the right and left approximations of p , and α is an artificial dissipation coefficient added to avoid oscillations in the solution.

Although the toolbox is designed for solving initial value problems, it is possible, in case of autonomous systems, to solve final value problems by reversing the time in system (23) [12].

3.3.2 Simulation results

The initial problem is a $3 \times n$ dimensional problem, where n is the number of characteristics considered. This problem is not tractable from a numerical ground. Indeed, for $n \geq 2$ and a correct number of grid points in each dimension ($\simeq 100$) we cope with too many points (100^{3n}), and face the dimensionality limits of the algorithms. We thus computed the backwards reachable sets for one characteristic, $(a_1, \gamma_1, \phi_{f1})$, corresponding to an ovulatory or atretic trajectory. It is a simplified case where all granulosa cells in a follicle are assumed to be synchronized in age and maturity.

In the case of ovulatory follicles, the boundaries of the target set \mathcal{M}_o are chosen to coincide with the ranges of age, maturity, and cell density reached by the characteristics of an ovulatory follicle at ovulation time, (see Figure 4, left).

The target set \mathcal{M}_o for ovulation is thus defined as:

$$\mathcal{M}_o = \{(a_1, \gamma_1, \phi_{f1}) \in [10, 12] \times [10, 11] \times [4, 6]\} \quad (47)$$

³<http://www.cs.ubc.ca/~mitchell/ToolboxLS/>

Figure 5 illustrates the trajectories compatible with ovulation.

The left panel illustrates the projection, on the age-maturity plane, of the changes in the backwards reachable set. Time $t = 0$ (first subplot) is ovulation time, and we can see the rectangle $\{[10, 12] \times [10, 11]\}$ representing the projection of the target set \mathcal{M}_o (the age range is slightly different from that of Figure 4 due to difference in the dimensioning of the unrolled domain compared to the periodic domain). At time $t = 4$, the set area has increased, including all states that can join the target set in less than 4 time units (2 time units roughly correspond to 1 cell cycle duration). The backwards reachable set at time $t = 11$ represents the set of states that can reach the target set for ovulation in at most 11 time units. We chose to stop the simulation at this time as it contains the initial conditions used for the simulation represented in Figure 4. The “staircase” shape of the backwards reachable set is due to the dynamics in the cell cycle. The maturity increases with age in phase 1, while it remains unchanged in phase 2, yielding to the flat part of the staircase. An instance of the flat part can be seen at time $t = 11$ between $a_1 = 7$ and $a_1 = 8$.

The right panel illustrates the projection, on the age-cell density plane, of the changes in the backwards reachable set. We can again see the projection of the target set \mathcal{M}_o at time $t = 0$, as the rectangle $\{[10, 11] \times [4, 6]\}$. At time $t = 11$, a large part of the age-cell density domain is compatible with reaching the target set. From age $a_1 = 9$ onward, the cell density variable increases with age to reach the target set. This is in agreement with the cell density dynamics in phase 3.

The backwards reachable set of \mathcal{M}_o nearly contains the whole spatial domain. It is an overapproximation of the initial states that allow to reach the target set. Indeed, it does not only contain the trajectories of the characteristics of the ovulatory follicle, but also those starting from initial conditions that do not arise on a physiological ground. Basing on biological knowledge, we can thus select from the overapproximated set, the physiologically-meaningful subset: we assume that all cells are initially within the cell cycle, at their first generation, so that the subset of admissible initial conditions is defined by $\{(a_1(t_0), \gamma_1(t_0)) \in [0, a_2] \times [0, \gamma_s]\}$. This subset is below the dashed segment on the left panel of Figure 5.

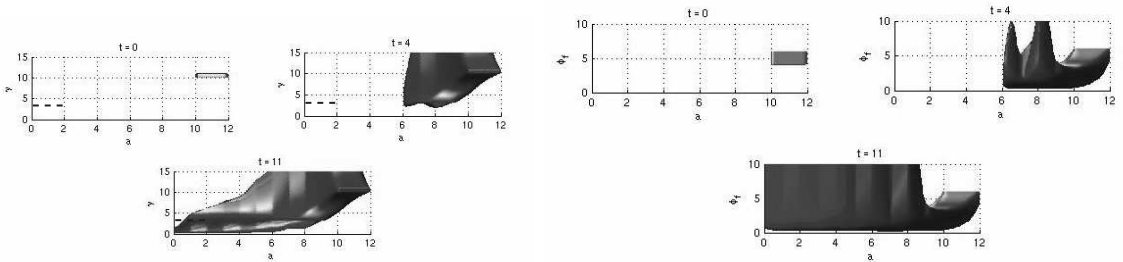


Figure 5: Solvability tubes for ovulatory follicles. The left panel shows the projection of the 3D set on the $(a_1-\gamma_1)$ plane, and the right one on the $(a_1-\phi_{f1})$ plane.

The target set \mathcal{M}_a for atresia is defined by the ranges reached by the characteristics of atretic follicles:

$$\mathcal{M}_a = \{(a_1, \gamma_1, \phi_{f1}) \in [8, 10] \times [3, 4] \times [2, 4]\} \quad (48)$$

Figure 6 illustrates all the trajectories that fall into the target set for an atretic follicle. The left panel illustrates the projection, on the age-maturity plane, of the changes in the backwards reachable set. Some states in the target set are initially in the cell cycle, leading to the “staircase” pattern described below. The right panel illustrates the projection, on the age-cell density plane, of the temporal changes in the backwards reachable set. The set area increases, and at time $t = 11$, it roughly contains the whole domain. Once again, the set of initial states leading to atresia is overapproximated, and we can apply the same constraints as in the ovulatory case on the initial conditions, that are again below the dashed segment on Figure 6.

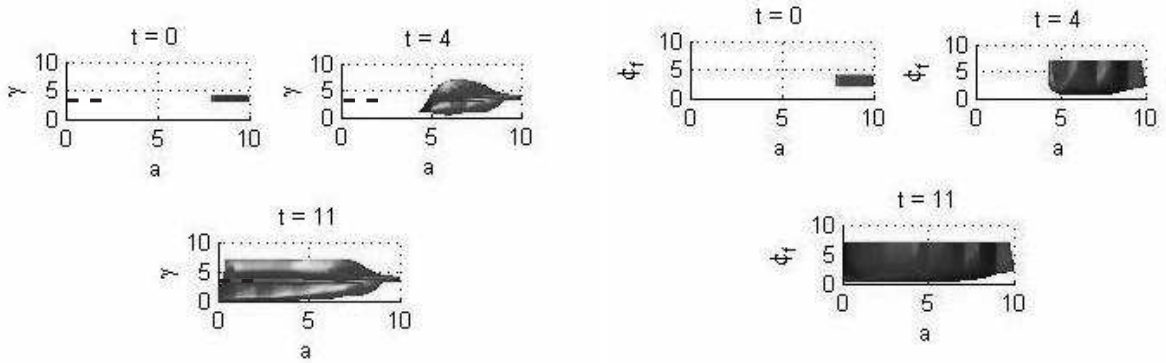


Figure 6: Solvability tubes for atretic follicles. The left panel shows the projection of the 3D set on the $(a_1-\gamma_1)$ plane, and the right one on the $(a_1-\phi_{f1})$ plane.

The initial conditions leading to ovulation or atresia, subject to physiological constraints, are roughly superimposed, and contain the whole subset of admissible initial conditions. Thus we cannot distinguish *a priori* ovulatory trajectories from atretic ones. This result agrees with physiological knowledge, as there is no predestination in follicular fate [14].

Although the initial conditions do not enable to determine whether a follicle is ovulatory or atretic, there is a moment when trajectories leading to either ovulation or atresia diverge. Such a moment corresponds to the physiological time of selection, when the trajectories of the few ovulatory follicles separate from the atretic ones.

4 Discussion and perspectives

We have characterized the backwards reachable sets for both ovulatory and atretic follicles. This control problem has been solved by studying the characteristics of the conservation laws describing the dynamics of the structured granulosa cell populations in ovarian follicles. The HJB equations representing the backwards reachable sets have been solved numerically for one characteristic curve, and allow to characterize the set of initial conditions that lead a characteristic into the target set either for ovulation or atresia.

We have used the backwards reachable sets theory for a problem that is not entirely continuous, as there are discontinuities at the transitions between each cellular phase. Hence, we studied each phase separately, assuming that the transitions at the boundaries were continuous. Actually, we deal with a hybrid problem, as each cellular phase has its proper dynamics. As far as time dependent HJB equations are concerned, elements of a theory for hybrid systems are established, especially concerning “reach-avoid” sets [15], but it is not complete yet, and not directly applicable to our problem. Viability theory also considers reachable sets for hybrid systems [16], but the algorithms used are not as accurate as level set methods, since they use a different representation of reachable sets [13]. Yet the numerical results we have obtained with the level set methods seem correct since the continuous part of the system is solved with highly accurate algorithms and the hybrid part is handled via continuity conditions and substantiated by the trace results obtained on the conservation laws.

We have solved a simplified numerical problem dealing with a single characteristic of a follicle, as the simulation tool needs too huge memory to solve higher dimensional problems. The backwards reachable sets obtained show that it is possible to find a correct control law to steer a large set of initial conditions into the target set, and they give information upon the maximum duration needed to reach the target.

If the simulation of more than one characteristic were possible, we expect that the backwards reachable sets would be smaller. We even speculate that, from a physiological viewpoint, a larger set in case of a single

growing follicle ensures the ovulation success, while a smaller set in case of several simultaneously growing follicles limits the ovulation rate and underlies the selection process in part. Yet this assumption needs improvement of the numerical implementation to be tested.

We have studied by now the open-loop problem, for the ovulation of one follicle. This situation is close to therapeutic situations of ovarian stimulations, so that the designed control laws may be useful in improving therapeutic schemes. Yet, to understand ovulation control in depth, we will have to tackle multi-scale, closed-loop reachability problems of selection, which is the matter of future work.

References

- [1] G.S. GREENWALD and S.K. ROY. Follicular development and its control. In E. Knobil and J.D. Neill, editors, *The Physiology of Reproduction*, pages pp. 629–724. Raven Press, New York, (1994).
- [2] N. ECHENIM, D. MONNIAUX, M. SORINE, and F. CLÉMENT. Multi-scale modeling of the follicle selection process in the ovary. *Math. Biosci.*, 198:pp. 57–79, (2005).
- [3] S.N. KRUZKOV. First order quasilinear equations in several independent variables. *Math. USSR Sbornik*, 10:217–243, (1970).
- [4] A. SZEPESSY and B. BEN MOUSSA. Scalar conservation laws with boundary conditions and rough data measure solutions. *Methods and Applications of Analysis*, 9:3579–598, (2002).
- [5] A. PORRETTA and J. VOVELLE. L^1 solutions to first order hyperbolic equations in bounded domains. *Communications in Partial Differential Equations*, 28:381–408, (2003).
- [6] O. BESSON and J. POUSIN. Existence and uniqueness of solutions for linear conservation laws with velocity field in L^∞ . *Preprint*, (2005). To appear in *Archive for Rational Mechanics and Analysis*.
- [7] L.C. EVANS. *Partial differential equations*. AMS, California, (1998).
- [8] A. B. KURZHANSKI and P. VARAIYA. Dynamic optimization for reachability problems. *Journal of Optimization Theory and Applications*, 108:pp. 1573–2878, (2001).
- [9] I. MITCHELL, A.M. BAYEN, and C.J. TOMLIN. A time-dependent Hamilton-Jacobi formulation of reachable sets for continuous dynamic games. *IEEE Transactions on Automatic Control*, 50:pp. 947–957, (2005).
- [10] A.E. BRYSON and Y.-C. HO. *Applied optimal control*. Hemisphere, Washington DC, (1975).
- [11] I.M. MITCHELL and J.A. TEMPLETON. *A Toolbox of Hamilton-Jacobi Solvers for Analysis of Non-deterministic Continuous and Hybrid Systems*, pages 480–494. Lecture Notes in Computer Science. Springer, 2005.
- [12] I.M. MITCHELL. A toolbox of level set methods. Technical Report TR-2004-09, UBC Department of Computer Science, 2004.
- [13] I.M. MITCHELL. *Application of level set methods to control and reachability problems in continuous and hybrid systems*. PhD thesis, Stanford University, (2002).
- [14] A. GOUGEON. Regulation of ovarian follicular development in primates: facts and hypotheses. *Endocr. Rev.*, 17:121–150, (1996).
- [15] C.J. TOMLIN, I. MITCHELL, A.M. BAYEN, and M. OISHI. Computational techniques for the verification of hybrid systems. *Proc of the IEEE Trans. Automat. Contr.*, 91:pp. 986–1001, (2003).
- [16] J-P. AUBIN. Impulse differential inclusions and hybrid systems: a viability approach. *IEEE Trans. Automat. Contr.*, 47:pp. 2–20, (2002).