

Multirate Cascaded Discrete-Time Low-Pass $\Delta\Sigma$ Modulator for GSM/Bluetooth/UMTS

Lynn Bos, *Student Member, IEEE*, Gerd Vandersteen, *Senior Member, IEEE*, Pieter Rombouts, *Member, IEEE*, Arnd Geis, *Student Member, IEEE*, Alonso Morgado, Yves Rolain, *Fellow, IEEE*, Geert Van der Plas, *Member, IEEE*, and Julien Ryckaert, *Member, IEEE*

Abstract—This paper shows that multirate processing in a cascaded discrete-time $\Delta\Sigma$ modulator allows to reduce the power consumption by up to 35%. Multirate processing is possible in a discrete-time $\Delta\Sigma$ modulator by its adaptability with the sampling frequency. The power reduction can be achieved by relaxing the sampling speed of the first stage and increasing it appropriately in the second stage. Furthermore, a cascaded $\Delta\Sigma$ modulator enables the power efficient implementation of multiple communication standards.

The advantages of multirate cascaded $\Delta\Sigma$ modulators are demonstrated by comparing the performance of single-rate and multirate implementations using behavioral-level and circuit-level simulations.

This analysis has been further validated with the design of a multirate cascaded triple-mode discrete-time $\Delta\Sigma$ modulator. A 2-1 multirate low-pass cascade, with a sampling frequency of 80 MHz in the first stage and 320 MHz in the second stage, meets the requirements for UMTS. The first stage alone is suitable for digitizing Bluetooth and GSM with a sampling frequency of 90 and 50 MHz respectively. This multimode $\Delta\Sigma$ modulator is implemented in a 1.2 V 90 nm CMOS technology with a core area of 0.076 mm². Measurement results show a dynamic range of 66/77/85 dB for UMTS/Bluetooth/GSM with a power consumption of 6.8/3.7/3.4 mW. This results in an energy per conversion step of 1.2/0.74/2.86 pJ.

Index Terms—Cascade, CMOS, delta sigma modulation, multi-mode, multirate, sigma delta modulation.

I. INTRODUCTION

By exploiting oversampling, a $\Delta\Sigma$ modulator can digitize a narrow frequency band with a high resolution. Moreover, such a modulator is less sensitive to the non-idealities of its intrinsic building blocks compared to other analog to digital converters. This is partly due to the spread in frequency of the non-ideal effects by the oversampling and partly by the shaping obtained by the feedback action. This advantage will be increasingly important as the industry is driven by technology

Manuscript received September 15, 2009; revised February 05, 2010; accepted February 21, 2010. Current version published June 09, 2010. This paper was approved by Associate Editor Michael Flynn. This work was supported by the Institute for the Promotion of Innovation through Science and Technology in Flanders (IWT-Vlaanderen), the Fund for Scientific Research (FWO-Vlaanderen), the Flemish Government (Methusalem 1), and the Belgian Federal Government (IUAP VI/4).

L. Bos and A. Geis are with IMEC, B-3001 Leuven, Belgium, and also with the Vrije Universiteit Brussel, Brussels, Belgium (e-mail: Lynn.Bos@imec.be).

G. Vandersteen and Y. Rolain are with the Vrije Universiteit Brussel, Brussels, Belgium.

P. Rombouts is with Ghent University, Gent, Belgium.

A. Morgado is with the Institute of Microelectronics of Seville (IMSE), CNM-CSIC, Seville, Spain.

G. Van der Plas and J. Ryckaert are with IMEC, B-3001 Leuven, Belgium.

Digital Object Identifier 10.1109/JSSC.2010.2046240

scaling, that continuously challenges the design of analog circuits with the ever increasing process variations and reduced supply voltages.

Although continuous-time (CT) $\Delta\Sigma$ modulators are sometimes favored over discrete-time (DT) modulators for their low-power consumption and wide-bandwidth performance, in case a high resolution is required, DT $\Delta\Sigma$ modulators are preferred for their easier implementation as cascaded structures. Indeed, higher resolution can be achieved by increasing the order of noise shaping. However, high-order single-loop $\Delta\Sigma$ modulators require careful design to prevent instability [1] and this can be avoided by cascading several inherently stable first- and second-order stages (known as Multi-stAGE noise SHaping, MASH [2]–[4]). The cancellation of the quantization noise of the first stage in cascaded architectures is based on the perfect match between the transfer functions in the $\Delta\Sigma$ modulator and the digital filtering in the digital cancellation filters. This perfect match is more difficult to realize in CT $\Delta\Sigma$ modulators [5]. Moreover, CT $\Delta\Sigma$ modulators are highly sensitive to jitter and process variations [5]–[7], while DT $\Delta\Sigma$ modulators are appreciated for their robustness as their transfer functions rely on capacitor ratios. This advantage will become even more pronounced as technology will scale further. Finally, DT $\Delta\Sigma$ modulators offer a straightforward reconfigurability of the system by adjusting the sampling frequency. Nevertheless, since operational amplifiers (opamps) are required, the application of these $\Delta\Sigma$ modulators remains limited, so far, to sampling frequencies up to 300 MHz [8]–[11] and signal bandwidths up to 10 MHz [8], [9].

In this work, we exploit the distribution of the sampling frequency throughout DT $\Delta\Sigma$ modulators as an extra degree of freedom by adding a multirate dimension to the system [12]. This allows to reach a better power optimum for the overall system. The benefits of a multirate approach in a DT $\Delta\Sigma$ design can easily be seen when considering the first integrator in the modulator: the first integrator is usually the largest contributor in the overall power consumption. Errors in the first stage are not filtered by the loop and thus have the strongest impact on the $\Delta\Sigma$'s resolution [13]. Hence, the first integrator must be designed according to the overall dynamic range of the modulator. This results in higher specifications on its building blocks and consequently, larger power consumption. By reducing the sampling speed in the input stage, the power of the first integrator can be reduced while the resulting loss in resolution can be recovered by increasing the clock speed in the later stages of the system. This increased clock speed in the later stages of the modulator will hardly influence the required specifications

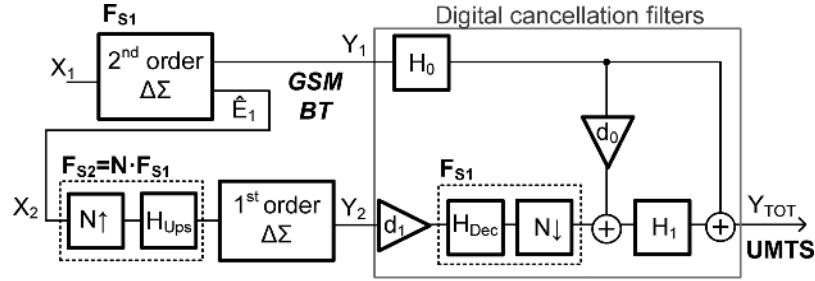


Fig. 1. Architecture of the triple-mode multirate 2-1 cascaded $\Delta\Sigma$ modulator with digital cancellation filters for UMTS, GSM and Bluetooth.

of its building blocks since their non-idealities (noise and distortion) are attenuated by the first stage. In this way, multirate processing can be exploited to trade performance for power and flexibility.

Multirate processing inside a single-loop $\Delta\Sigma$ modulator requires a decimator in the feedback path [12]. This decimation is critical since all its non-idealities are not suppressed by the loop. This complexity can be avoided when implementing a cascaded architecture in which the sampling frequency is modified between the cascaded stages, since there is no feedback from the second to the first stage.

A cascaded architecture also offers another advantage: a power efficient implementation in a multimode context by switching off the appropriate last stages when needed [9]. Each communication standard (in this work GSM, Bluetooth and UMTS) requires a certain resolution specification and hence a different order for the noise shaping [14], [15]. In a cascaded architecture, the modulator order is not fixed by the most demanding communication standard. Instead, the modulator can work for example as a second-order single-loop or as a 2-1 cascade depending on the standard specifications.

The multirate processing technique was already proposed in [12] in which behavioral-level simulations were used to show that the resolution of a cascaded $\Delta\Sigma$ with the first loop operating at a sampling frequency $F_S/2$ and the second loop at $2F_S$ is equivalent to the resolution of a cascade $\Delta\Sigma$ with both loops operating at F_S . That paper [12] concluded that the evidence of the power reduction of the first structure could only be quantified by transistor-level simulations. No integrated multirate cascaded discrete-time $\Delta\Sigma$ modulator has been reported to the author's knowledge. To date, two multirate $\Delta\Sigma$ modulator designs can be found in the literature: a single-loop discrete-time [16] and a multirate cascaded continuous-time [17] $\Delta\Sigma$ modulator. However, both these designs report simulation results only.

First, this work proves with behavioral-level and circuit-level simulations that multirate processing in DT cascaded $\Delta\Sigma$ modulators enables to reduce the power consumption. Second, this work presents the first implemented triple-mode DT multirate cascade $\Delta\Sigma$ modulator. The design was realized in 90 nm CMOS technology and achieves state-of-the-art performance [11]. The measurement results show a dynamic range of 66/77/85 dB for UMTS/Bluetooth/GSM with a power consumption of 6.8/3.7/3.4 mW. This results in an energy per conversion step of 1.2/0.74/2.86 pJ.

The paper is structured as follows. Section II describes the system-level architecture of the triple-mode multirate cascaded $\Delta\Sigma$ modulator. Section III presents a performance analysis, supported by circuit simulations, in which both single-rate and multirate approaches are compared in terms of resolution and power consumption. This analysis provides the specifications of the building blocks for the electrical design of the modulator. In Section IV, the system architecture and the circuit topologies of its various building blocks (opamps, switched-capacitor integrators, quantizers) are specified. Also the limitations and non-ideal effects on the design are discussed and advice for future implementations is given. Section V reports the measurement results and emphasizes the improvements that are obtained over a single-rate approach. Finally, Section VI concludes the work.

II. SYSTEM-LEVEL ARCHITECTURE

The system-level architecture of the multirate cascaded $\Delta\Sigma$ modulator is shown in Fig. 1 together with the digital cancellation filters. The cascaded structure consists of a second-order first stage operating at a sampling frequency of F_{S1} , an upsampler with an integer upsampling factor N and a first-order second stage operating at a sampling frequency of $F_{S2} = N \cdot F_{S1}$. The digital output streams of both stages are recombined within the digital cancellation logic that, ideally, eliminates the quantization noise of the first stage. This recombination can be done at two different rates: either the output of the first stage is upsampled or the output of the second stage is downsampled, the latter being shown in the schematic of Fig. 1. The first second-order stage alone achieves a sufficient performance for the Bluetooth and GSM standards while the full 2-1 cascade is necessary to meet the UMTS specification.

A detailed block diagram of the modulator, without digital cancellation filters, is shown in Fig. 2. The first stage uses a feedback topology with an extra feedforward branch from the input to the second integrator input to reduce the output swing of the first integrator. In both stages, 1.5-bit quantizers are employed to further reduce the output swing of the integrators and improve the dynamic range of the modulator. This can be done easily because a 1.5-bit (three-level) digital analog converter (DAC) can readily be implemented using a fully differential switched-capacitor circuit [18].

To calculate the transfer function of a $\Delta\Sigma$ modulator, the quantizer is replaced by a linear model ($y = k_q x + e(x)$) with

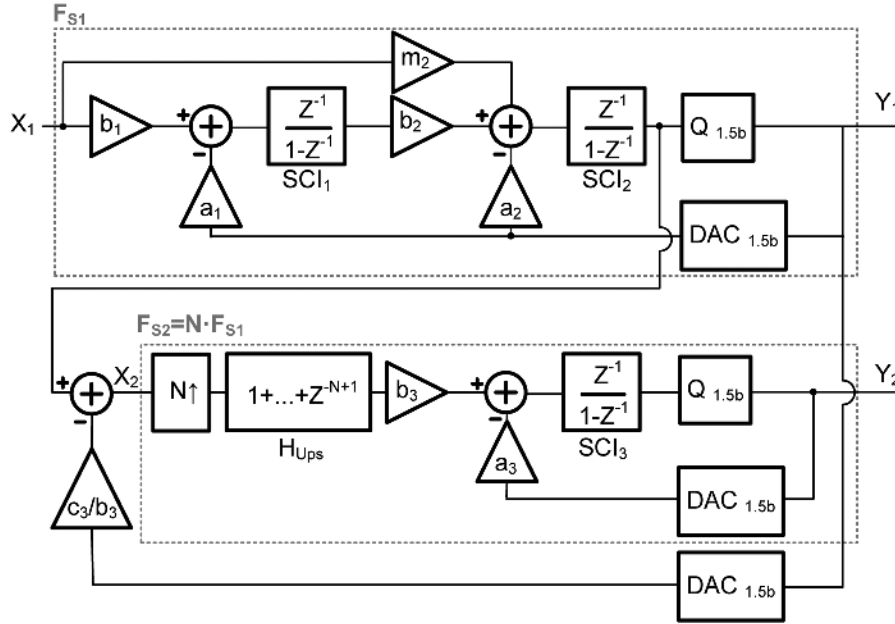


Fig. 2. Circuit implementation of the multirate 2-1 cascaded $\Delta\Sigma$ modulator.

k_q the quantizer gain and $e(x)$ the quantization noise). The digital output streams of the first and second stages Y_1 and Y_2 operating with a sampling frequency of F_{S1} and $F_{S2} = NF_{S1}$ respectively can be expressed as

$$Y_1(z) = \frac{b_1}{a_1} z^{-2} X_1(z) + m_2 z^{-1} (1 - z^{-1}) X_1(z) + (1 - z^{-1})^2 E_1(z) \quad (1)$$

$$Y_2(z) = \frac{b_3}{a_3} z^{-1} H_{Ups} X_2(z^N) + (1 - z^{-1}) E_2(z) \quad (2)$$

with

$$\begin{aligned} X_2(z) &= \frac{Y_1(z) - E_1(z)}{k_{q1}} - \frac{c_3}{b_3} Y_1(z) \\ &= b_2 a_1 (Y_1(z) - E_1(z)) - \frac{c_3}{b_3} Y_1(z) \end{aligned} \quad (3)$$

and the upsampling filter H_{Ups}

$$H_{Ups} = 1 + \dots + z^{-N+1} \quad (4)$$

while k_{q1} , k_{q2} are respectively the quantizer gain of the first and second stage, $X_1(z)$, $E_1(z)$ and $X_2(z)$, $E_2(z)$ stand for the input signal and quantization noise of the first and second stage, respectively. The relationship between the loop coefficients and the quantizer gain are derived by ensuring a second-order noise shaping in the first stage:

$$b_2 a_1 k_{q1} = 1 \quad (5)$$

$$a_2 = 2 a_1 b_2 \quad (6)$$

and a first-order shaping in the second stage [13]:

$$a_3 k_{q2} = 1. \quad (7)$$

After upsampling the digital output of the first stage and processing the two digital streams in the cancellation filter, the output of the full cascade becomes

$$Y_{tot}(z) = H_{d1}(z)(1 + \dots + z^{-N+1})Y_1(z^N) + H_{d2}(z)Y_2(z). \quad (8)$$

In order to cancel the quantization noise of the first stage ($E_1(z)$), the digital cancellation filters must be chosen equal to

$$H_{d1} = z^{-1} (d_0 (1 - z^{-N})^2 + 1) \quad (9)$$

$$H_{d2} = d_1 (1 - z^{-N})^2 \quad (10)$$

with

$$d_0 = \frac{c_3}{b_3 b_2 a_1} - 1 \quad (11)$$

$$d_1 = \frac{a_3}{b_3 b_2 a_1}. \quad (12)$$

The output of the cascade gives after perfect cancellation of $E_1(z)$

$$\begin{aligned} Y_{tot}(z) &= H_{Ups}(z) z^{-(N+1)} \left[\frac{b_1}{a_1} z^{-N} + m_2 (1 - z^{-1})^N \right] X_1(z) \\ &\quad + d_1 (1 - z^{-N})^2 (1 - z^{-1}) E_2(z). \end{aligned} \quad (13)$$

III. PERFORMANCE ANALYSIS

This section extracts the performance in terms of resolution and power consumption for the 2-1 cascaded $\Delta\Sigma$ modulator (shown in Fig. 2) for different settings of the upsampling factor N and the sampling frequency F_S used in the first stage. First, the resolution is estimated using behavioral-level simulations with an ideal model. Next, to compare the power consumption of each configuration, simulations of transistor-level opamps are performed. Since the global power consumption is dominated by the opamps, the required specifications on these amplifiers,

TABLE I
RESOLUTION OF THE DIFFERENT CONFIGURATIONS OF 2-1 CASCADE $\Delta\Sigma$ MODULATOR OBTAINED BY BEHAVIORAL-LEVEL SIMULATIONS

Configuration	Stage 1 F_{S1} [MHz]	Stage 2 F_{S2} [MHz]	Resolution ENOB
Single-rate	80	80	10 (1)
	160	160	13.3 (2)
Multirate N=2	80	160	11.3 (3)
	160	320	15 (4)
Multirate N=4	80	320	13.5 (5)

GBW and SR, are determined to estimate the global power consumption.

A. Extraction of the Resolution

In this section the resolution is determined for an ideal cascaded $\Delta\Sigma$ modulator for different upsampling factors and sampling frequencies. The 2-1 cascade $\Delta\Sigma$ modulator described in Section II has been modeled by using functional blocks in Simulink [19].

The five different test cases in the behavioral-level simulations are shown in Table I. Among these test cases, three upsampling factors were considered: $N = 1$ for the single-rate case, $N = 2$ and $N = 4$ for the multirate case. The $N = 4$ multirate setting is chosen as a reference for comparison. In this reference design, the oversampling ratio for the first stage is chosen to achieve an overall ENOB for the cascade higher than 10 bits in a signal bandwidth of 1.92 MHz (the specification for UMTS). This leads to a sampling frequency in the first stage of 80 MHz. In the single-rate as well as in the $N = 2$ multirate case, sampling frequencies of 80 MHz and 160 MHz have been considered for the first stage to study the effect of the sampling frequency and the upsampling factor on the resolution and power consumption.

The following settings were used in the behavioral-level model:

- All the loop coefficients, shown in Fig. 2, are equal to $1/2$. Their value was maximized, in order to minimize the capacitive load, until the output swing of the integrators hits half the supply voltage ($V_{\text{swing}}^{\text{MAX}} = V_{\text{dd}}/2$). In these conditions, d_0 is equal to 3 [using (11)] and d_1 equal to 2 [using (12)].
- The reference voltage of the DAC is fixed to 0.8 V. Increasing the reference voltage increases the dynamic range of the modulator. However, the outputs of the opamps require a certain headroom to function properly. This headroom is determined by the saturation requirement of the output stage of the opamp.
- The input sine wave amplitude is set to $V_{\text{dd}}/2$.

The resulting ENOB are given in Table I. We observe that the single-rate setting with $F_{S1} = 160$ MHz (second row in Table I), the multirate setting with $N = 2$ and $F_{S1} = 160$ MHz (fourth row in Table I) as well as the multirate setting with $N = 4$ and $F_{S1} = 80$ MHz (fifth row in Table I) achieve the highest ENOBs. Hence, they are the preferred configurations to provide a sufficient SNDR margin for the transistor-level design. As predicted by [12], the resolution of the single-rate cascade

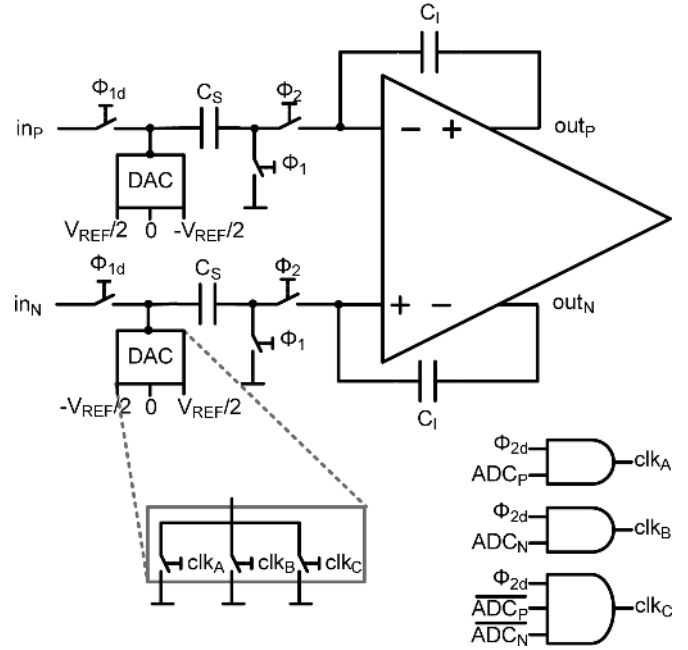


Fig. 3. Implementation of the discrete-time switched-capacitor integrator with a three-level DAC.

at 160 MHz (second row in Table I) and the multirate cascade, with the first stage at 80 MHz and the second stage at 320 MHz (fifth row in Table I), achieve similar performance.

B. Extraction of the Power Consumption

In this section, the power consumption is analyzed for three out of the five test cases above [(1), (2), and (5)] from Table I. The total power consumption of the system is mainly determined by the GBW and SR metrics of the opamps and these amplifiers are assumed to be the dominant contributors in the global power consumption. This assumption will be confirmed by the transistor-level simulations of the global system as described in Section IV-E. The modulator in Fig. 2 has been implemented in Spectre with all the opamps blocks mapped to a transistor-level design in a 90 nm CMOS technology. All the other building blocks were modeled using a Verilog-A model. The power consumption estimation was realized by extracting the required current specifications for the opamps in the different configurations.

The circuit-level model was built as follows:

- Each switched-capacitor integrator (SCI) was implemented as shown in Fig. 3 (more explanation can be found in Section IV-A). The capacitive loading for each opamp was added in the circuit-level model.
- The main design criteria for the opamp in the SCI are sufficient DC gain and output swing, large GBW and SR. A two-stage opamp topology was chosen to provide DC gain up to 55 dB [20]. The amplifier consists of a folded-cascode input stage followed by a Miller compensated common-source stage [Fig. 4(a)]. As can be seen, one cascode transistor in the first stage was removed to ensure the saturation for the three stacked transistors fed with a supply voltage of 1.2 V. The second stage was added to increase the output swing of the opamp. The specifications on the GBW and

TABLE II
SPECIFICATIONS ON THE OPAMPS AND RESOLUTION FOR DIFFERENT CONFIGURATIONS OF THE 2-1 CASCADE $\Delta\Sigma$ MODULATOR OBTAINED BY OPAMP TRANSISTOR-LEVEL SIMULATIONS

Configuration	Opamp	GBW [MHz]	I_{Bias} [mA]	I_{out} [mA]	I_{TOT} [mA]	Resolution ENOB
(1) Single-rate $F_{S1}=80$ MHz	1	235	0.075	0.17	0.53	9.5
	2	235	0.075	0.17	0.53	
	3	140	0.05	0.11	0.35	
(2) Single-rate $F_{S1}=160$ MHz	1	950	0.55	0.32	2.1	12.9
	2	950	0.55	0.32	2.1	
	3	800	0.425	0.17	1.4	
(5) Multirate $N=4$ $F_{S1}=80$ MHz	1	660	0.278	0.17	1.06	12.1
	2	660	0.278	0.17	1.06	
	3	760	0.34	0.35	1.6	

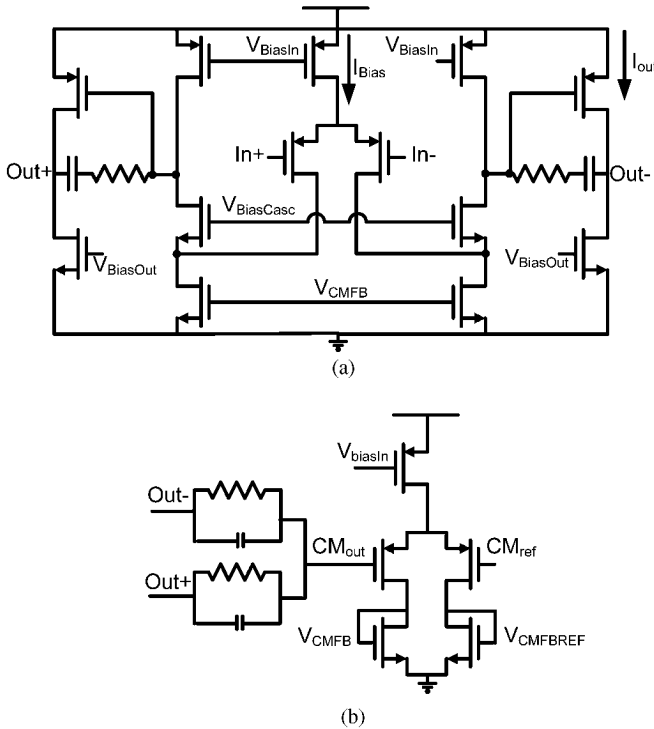


Fig. 4. Topology of (a) the opamp and (b) its common-mode feedback circuit.

the internal SR (determined by the bias current I_{Bias} of the input stage and the Miller capacitor) determine I_{Bias} . The external SR (determined by the output stage current I_{Out} and the load capacitance) of the amplifiers can be adjusted according to the required sampling frequency by varying I_{Out} . The Miller capacitor is chosen to be about a factor of 2 smaller than the load capacitor. To reduce the power consumption, the output current is reduced as much as possible (which decreases the external SR). Therefore, in this case, the external SR is similar to the internal SR. The continuous-time common-mode feedback circuit is given in Fig. 4(b). A small capacitor was added in parallel with the common-mode sensing resistors to provide sufficient common-mode phase margin.

- The input sampling capacitors are set to 450 fF and 300 fF for the first and second SCI of the first stage and 200 fF in the SCI of the second stage. These capacitor values result

from a compromise between kT/C noise, matching sensitivity and capacitive loading of the opamps.

- The switches are modeled in Verilog-A with an on/off-resistance.
- The quantizers in Verilog-A have a delay, rise and fall time.
- The upsampler is modeled by an ideal sample and hold controlled by the clock of the first stage. The samples held are then transferred to the second stage at a rate N times higher depending on the test case.

The minimum requirements (shown in Table II) for the three opamps in the 2-1 cascade in the three configurations have been found by iteratively decreasing their value until the modulator resolution starts to degrade.

The external SR and the related I_{out} , behave as expected; doubling the sampling frequency in the first stage requires doubling the I_{out} of the first stage amplifiers [from case (1) to (2) for Opamp 1 and Opamp 2]. The external SR requirement on the second stage amplifier (Opamp 3) is relatively lower than that of the first stage (Opamp 1 and 2) in the single-rate cases [(1) and (2)]. This can be explained by the fact that the first stage has the highest impact on the overall resolution and thus the specifications on its building blocks are the most demanding.

Considering the GBW, the internal SR and the related I_{Bias} , it can be seen that the requirements in the second-stage amplifier (Opamp 3) are also relatively lower than those of the first stage (Opamp 1 and 2) in the single-rate cases [(1) and (2)]. The I_{Bias} requirements of the first stage are halved when comparing the single-rate case at 160 MHz and the multirate case [case (2) to (5)]. The requirements of the single-rate case at 80 MHz and the one at 160 MHz cannot be compared since the resolution of the first test-case is lower.

These observations lead to the conclusion that, in order to achieve low power consumption, the sampling frequency of the first integrator needs to be kept as low as possible. Moreover, increasing the sampling frequency in the second stage can be done without substantially affecting the power consumption.

To obtain the total current consumption I_{TOT} of each opamp for each configuration, the current of the input stage, the output stage, the cascode and the CMFB circuit of each opamp are summed. Consequently, the multirate setting with a minimal F_{S1} and a maximal F_{S2} ($N = 4$) appears to be the optimal in terms of power consumption for a fixed resolution. The total output current consumption of this setting (5) is 35% lower than that of the single-rate case, sampling at 160 MHz (2).

The resolution of the different circuit-level configurations (Table II) is comparable with the results found by behavioral-level simulations in Simulink (Table I).

IV. CIRCUIT IMPLEMENTATION

To validate the concept at the transistor-level and verify the results obtained in Section III, the multirate 2-1 cascade $\Delta\Sigma$ modulator of Fig. 2 has been implemented in a 90 nm digital CMOS process. The circuit was designed to operate at an up-sampling factor of 4 and a sampling frequency $F_{S_1} = 80$ MHz. A single-rate setting of 80 MHz was also implemented for comparison purposes.

To demonstrate the multimode performance of the cascaded $\Delta\Sigma$ modulators, the first stage alone was designed to digitize GSM and Bluetooth at a sampling frequency of 50 MHz and 90 MHz, respectively. The two-stage cascade was targeted for the UMTS standard with a sampling frequency of 80 MHz and 320 MHz in the first and the second stage, respectively.

This section describes the overall chip implementation and the topology of the building blocks in the $\Delta\Sigma$ modulator. The different building blocks used in the system are the switched-capacitor integrators, the quantizers and the upsampler.

A. Switched-Capacitor Integrator

The topology of the SCI is shown in Fig. 3. This circuit employs bottom-plate sampling to reduce the sensitivity to parasitic capacitances and charge injection. The switches are implemented as MOS transmission gates, which comprise the parallel connection of an nMOS and a pMOS switch to reduce the dependency of the on-resistance with the drain source voltage. The bias current I_{Bias} of the input stage of the opamp shown in Fig. 4, is determined by the specifications on the GBW and the internal SR. It is set to approximately 350 μA . As this current has a negligible contribution to the total power consumption, it is fixed for the three amplifiers. The width of the output transistor of the amplifier for the third integrator was doubled with respect to the first and second one, in order to provide the necessary double output current I_{Out} in the multirate case with $N = 4$. The bias current I_{Bias} and output stage current I_{Out} can be adjusted to achieve the required GBW, the internal SR and the external SR of all opamps during measurements. The continuous-time common-mode feedback only consumes about 300 μA of current. MOM-capacitors were used to enable the fabrication in a digital 90 nm CMOS process.

B. Quantizer

The 1.5-bit quantizer needs to perform a three-level quantization of the input. It consists of two identical blocks, comprising a comparator preceded by a switched-capacitor (SC) network [Fig. 5(a)]. This SC network generates two voltage thresholds at a level of $V_{\text{DD}}/2 + V_{\text{REF}}/3$ and $V_{\text{DD}}/3 - V_{\text{REF}}/3$ by shifting the positive or the negative input signal by $V_{\text{REF}}/3$ depending on the threshold. The used sampling capacitor is 200 fF. The 1.5-bit output data, is extracted by subtracting both outputs.

The comparator [Fig. 5(b), left] is based on a regenerative latch driving a Set-Reset (SR) latch [Fig. 5(b), right].

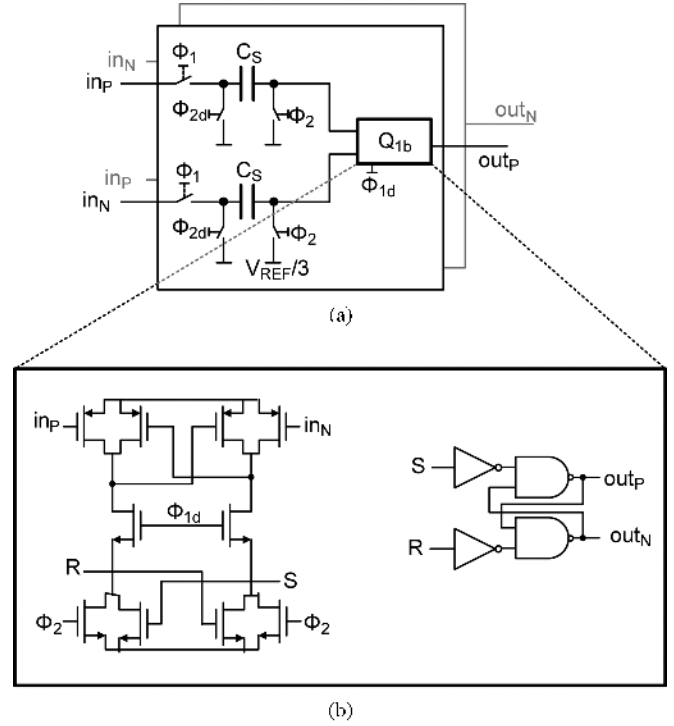


Fig. 5. Implementation of (a) the 1.5-bit quantizer and (b) the comparator.

C. Upsampler

The upsampler interpolates the quantization error signal of the first stage by a factor of 4. The quantization error is equal to the subtraction of the output of the loop filter and the digital output of the ADC. The upsampling operation for the output of the loop filter is implemented by replacing the switched-capacitor sampling network of SCI_3 by the structure in Fig. 6. During Φ_{ups} , the output of SCI_2 is sampled on four equal sampling capacitors, each with a value of 200 fF. The samples are then successively processed in four clock phases $\Phi_{22\text{div}i}$ by SCI_3 , using the 4 times faster clock of the second stage. Since the output of the 1.5-bit quantizer is held constant during the entire sampling period of the first stage, its voltage can be sampled directly with the sampling clock of the second stage.

In addition to this multirate mode, a single-rate mode for the cascade is foreseen by processing only one of the four upsampling capacitors.

D. Non-Idealities and Limitations of the Modulator

This section provides some considerations about the non-idealities in this multirate cascade $\Delta\Sigma$ modulator. It also gives some hints for future implementations. Finally, the limitations for the application of this multirate cascade $\Delta\Sigma$ modulator are discussed.

- In the current implementation, the upsampler loads the second SCI by its four parallel sampling capacitors, which increases the capacitive load for this SCI. Moreover, the short sampling time Φ_{Ups} of the upsampler requires the second SCI to settle in a 4 times shorter time frame. This constraint therefore increases the required GBW and SR specifications and this results in similar requirements for the second opamp as for the first one. This effect was also

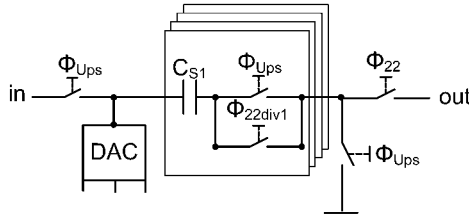


Fig. 6. Implementation of the upsampler.

TABLE III
PERFORMANCE FOR THE 2-1 CASCADE $\Delta\Sigma$ MODULATOR
OBTAINED BY TRANSISTOR-LEVEL SIMULATIONS

Standard	F_S [MHz]	Resolution ENOB	Power [mW]
UMTS	80/320	11	6.6
UMTS	80/80	9.5	6.2
GSM	50	12.9	3.2
Bluetooth	90	11.3	3.36

observed in the circuit-level simulations in Section III-B. In addition, the quantizer of the first stage needs to settle 2 to 4 times faster, because its decision is already needed in Φ_{22} . Fortunately, the power consumption of this faster quantizer is negligible with respect to the one of the amplifiers. The two discussed issues could be alleviated by several techniques, e.g., the time-interleaving of the sampling capacitor of the second stage and allowing a clock cycle delay $1/F_S$ in the architecture.

- In a future design, extra attention will be devoted to isolating the sampling of the output of the second integrator by the upsampler from the sampling by the quantizer of the first stage. If both sampling events occur at the same instant, the load of the second integrator is increased and sampling spikes are produced. To counteract this, the quantizer of the first stage was slightly skewed, but in a future design a more elegant solution should be found. An alternative solution is to use a feedforward structure in the first stage. Indeed, in a feedforward structure, the input of the second stage is taken directly after the second integrator, so before the feedforward addition. This ensures a proper isolation between the quantizer sampling and the upsampler by the adder. Unfortunately, this architecture requires an adder, which results in extra power consumption.
- As mentioned in the introduction, cascaded $\Delta\Sigma$ modulators in general are sensitive to capacitor mismatches. To verify this sensitivity, the sampling capacitors were modified by 1% and the performance, resulting from this transistor-level simulation, showed that there is no impact. This was confirmed by the measurements, which proved that an optimization of the digital coefficients in the digital cancellation filters did not increase the performance. A simulation of the transistor-level implementation in the four process corners showed a maximum loss of 1 bit in the case of slow-slow.

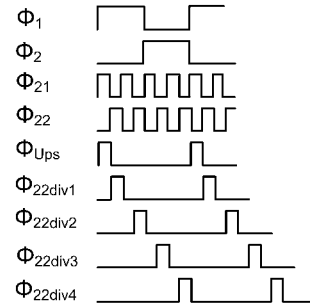


TABLE IV
CURRENT BREAKDOWN FOR THE MULTIRATE 2-1 CASCADE $\Delta\Sigma$ MODULATOR
AS OBTAINED BY TRANSISTOR-LEVEL SIMULATIONS

Part	Current [mA]	Percentage %
SCI_1	1.1	20
SCI_2	1.1	20
Q_1	0.2	3.6
Clk	0.12	2.2
SCI_3	1.6	29
Q_2	0.35	6.3
Clk_2	0.46	8.3
BiasOA	0.43	2.8

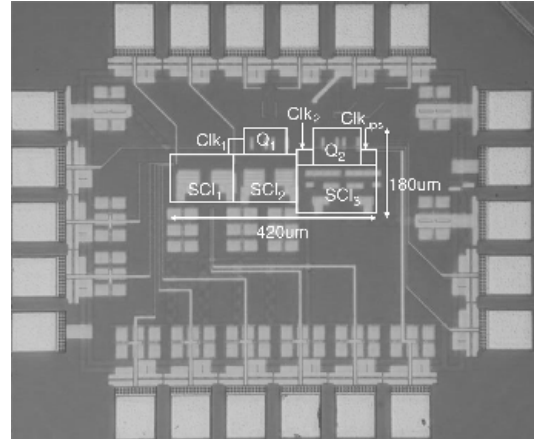


Fig. 7. Chip microphotograph.

- The proposed multirate cascade requires a 4 times higher sampling frequency in the second stage. The attainable bandwidth in the design of operational amplifiers limits the maximum sampling frequency to about 320 MHz nowadays. The simulations of the implemented switched-capacitor integrator in the second stage show, however, that the output only has to settle to about 70% of the theoretical predicted output, without deteriorating the performance. Nevertheless, for communications standards with signal bandwidths larger than 10 MHz, the application of this multirate cascading can be limited by the achievable sampling frequency of the opamps. In this case, it will be necessary to limit the upsampling factor to maximally 2.

E. Simulated Transistor-Level Performance

To extract the nominal resolution of the multirate cascade, transistor-level simulations of the full chip for each standard

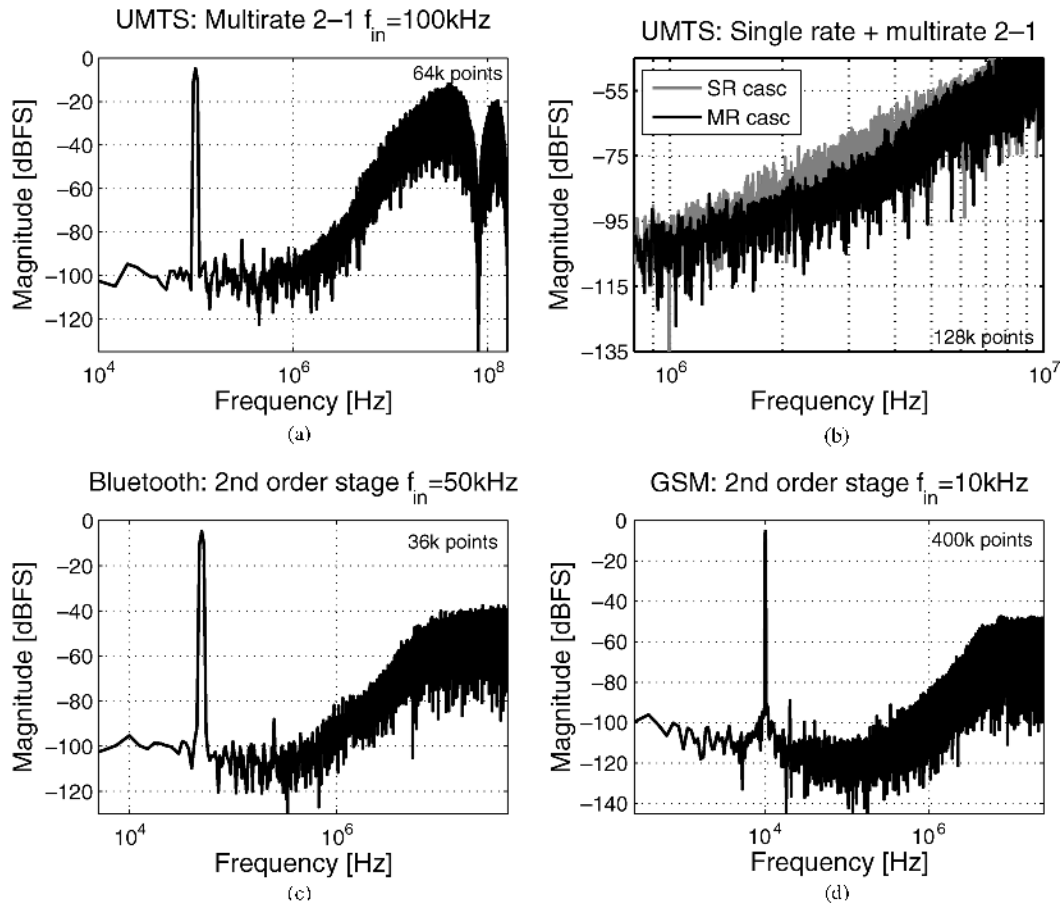


Fig. 8. (a) Measured spectra at peak SNDR for UMTS; (b) the comparison of the multirate and single-rate cascade for UMTS zoomed in from 0.8 MHz until 10 MHz, (c) Bluetooth and (d) GSM.

have been performed. The resolution and power consumption are summarized in Table III. The UMTS standard was simulated with a sine wave input with an amplitude of 0.8 V and a frequency of 0.5 MHz. The cascade is also simulated in a single-rate mode at 80 MHz. The cascade could not be simulated with a sampling frequency of 160 MHz since the first stage is not designed for this higher sampling frequency.

A simulated current consumption breakdown of the full multirate cascade is also shown in Table IV. These power figures show that, although the second stage works at four times the sampling frequency of the first stage, its consumption remains comparable to the first stage SCIs. This is achieved by relaxing its specifications and therefore demonstrates the potential of a multirate approach in cascaded $\Delta\Sigma$ modulators. It also confirms the assumption that the power consumption is determined by the operational amplifiers. The transistor-level simulations of both the resolution and the power consumption are in good agreements with the mixed-level simulations of Section III-B.

The modulator has been fabricated in a digital 90 nm CMOS process [11], which means that no analog options were provided. The chip microphotograph is shown in Fig. 7. The active area of the modulator including switched-capacitor integrators, quantizers, clock generation and DAC is only 0.076 mm². The processing by the digital cancellation filters is done in Matlab.

V. EXPERIMENTAL RESULTS

This section discusses the measurement results: resolution, power consumption, distortion, comparison of multirate and single-rate mode and the comparison with other multimode discrete-time $\Delta\Sigma$ modulators.

A. Resolution and Power Consumption

The measurement of the UMTS mode spectrum generated by the multirate cascaded technique is shown for the peak SNDR in Fig. 8(a), where the notch at $F_{S_2}/4$ results from the upsampling in the digital cancellation logic. With a total power consumption of 6.83 mW drawn from 1.2 V supply, a peak SNDR of 65.5 dB is achieved. This results in an ENOB of 10.5-bit and a figure of merit $\text{FoM} = \text{Power}/2\text{BW}2^{\text{ENOB}}$ of 1.2 pJ per conversion step for the multirate cascade.

The output spectrum of the modulator in the GSM and Bluetooth modes are shown for peak SNDR in Fig. 8(c) and (d). With a power consumption of 3.43 mW and 3.7 mW, a peak SNDR of 77 dB and 76 dB is achieved for GSM and Bluetooth, respectively. This results in a FoM of 2.86 pJ/conv and 0.74 pJ/conv.

The resolution as well as the power consumption are in good correlation with the transistor-level estimations.

Fig. 9 shows the SNDR versus the input amplitude for the different modes. A dynamic range (DR) of 66/77/85 dB is achieved for UMTS/Bluetooth/GSM, respectively.

TABLE V
MEASURED PERFORMANCE OF THE 2-1 CASCADE $\Delta\Sigma$ MODULATOR FOR 3 STANDARDS

Performance	GSM	Bluetooth	UMTS
Architecture	2 nd order 1 st stage	2 nd order 1 st stage	2-1 multirate
Signal bandwidth	100 kHz	500 kHz	1.92 MHz
Sampling frequency	50 MHz	90 MHz	80/320 MHz
OSR	250	90	20/80
DR	85 dB	77 dB	66 dB
Peak SNDR	77 dB	76 dB	65.5 dB
THD at peak SNDR	-80.5 dB	-81 dB	-75 dB
SFDR	83 dB	83 dB	79 dB
IM3	76 dB	76 dB	76 dB
Input Range	0.8 $V_{pp-diff}$		
Power (1.2 V supply)	3.43 mW	3.7 mW	6.83 mW
FoM	2.86 pJ/conv	0.74 pJ/conv	1.17 pJ/conv
Core area	0.076 mm ²		

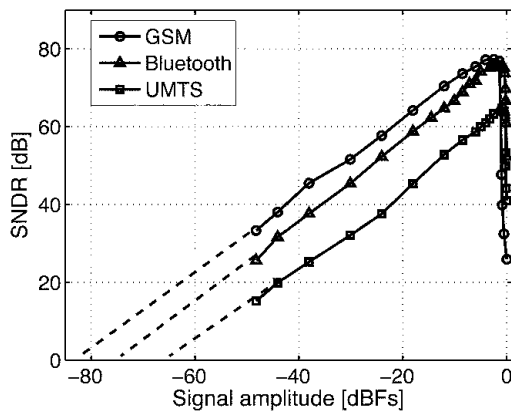


Fig. 9. Measured SNR versus input amplitude of the $\Delta\Sigma$ modulator for three standards: UMTS, Bluetooth and GSM.

B. Distortion

The spectrum resulting from a 2-tone test with 175 and 200 kHz in the UMTS mode is shown in Fig. 10. The third-order intermodulation distortion (IM3) is 76 dB with each tone at -10.9 dBFS (the power where the peak SNDR has been reached). Similar performance is obtained for the other modes.

A total harmonic distortion (THD) of 75/81/80.5 dB and a spurious-free dynamic range (SFDR) of 79/83/83 dB is reached at the peak SNDR for UMTS/Bluetooth/GSM.

C. Comparison of Single-Rate and Multirate Performance

The multirate performance was also compared to a single-rate performance at a sampling frequency of 80 MHz (the slew-rate requirements of the amplifiers are reduced accordingly). The single-rate setting provides a marginal reduction of the power consumption (6.43 mW). However, the SNDR dropped by 7 dB. The resulting FOM is 2.38 pJ/conv, which is the double of the multirate setting. This clearly shows that multirate operation offers a performance improvement. The top right of Fig. 8(b)

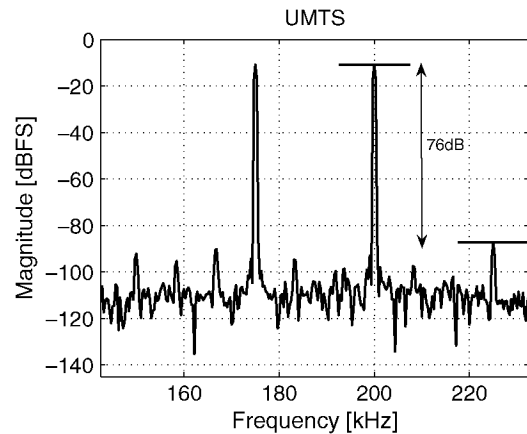


Fig. 10. Measured third order intermodulation distortion of the multirate 2-1 $\Delta\Sigma$ modulator for UMTS.

shows the shaping improvement of the multirate approach on the output spectrum.

The single-rate setting has a THD of -68.3 dB at a peak SNDR and a SFDR of 70.5 dB.

D. Conclusion

Table V summarizes the measured performance of the design. Fig. 11 compares the FoM (computed with DR) of different multimode discrete-time $\Delta\Sigma$ modulators [9], [21]–[25]. Refs. [21], [22], [24] use a single-loop architecture to realize a multimode $\Delta\Sigma$ modulator, while [9], [23], [25] employ a cascaded architecture. The four stars on the figure represent the achieved performance for GSM, Bluetooth, the non-optimized single-rate alternative for UMTS and the proposed multirate solution for UMTS. It can be observed that the proposed chip demonstrates state-of-the-art performance. Refs. [21], [24] use 0.18- μm technology, the rest 0.13- μm technology and their area is at least 2.5 times as large as this work [11].

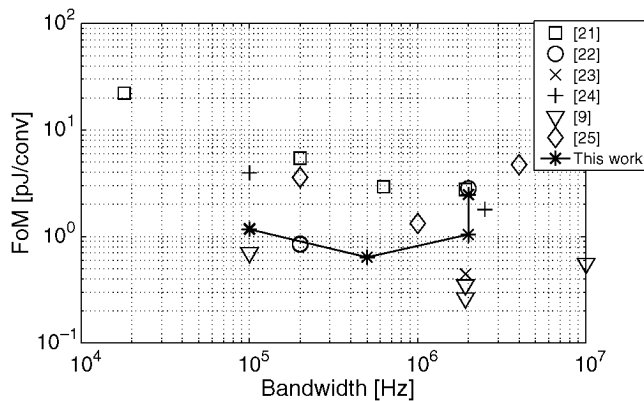


Fig. 11. Comparison of FoM with other multimode discrete-time $\Delta\Sigma$ modulators.

VI. CONCLUSION

This work proves that multirate processing in cascaded discrete-time $\Delta\Sigma$ modulators allows to reduce the power consumption without a significant resolution penalty. The high-level and mixed-level simulations show a power reduction of up to 35% by halving the sampling frequency of the first stage and doubling the one of the second stage in a 2-1 cascaded architecture.

The implementation of the proposed triple-mode multirate cascaded $\Delta\Sigma$ modulator verify the concept and show a close match between the simulated and the measured performance.

The measurement results show that this triple-mode $\Delta\Sigma$ modulator for UMTS/GSM and Bluetooth has state-of-the-art performance. This triple-mode multirate cascaded $\Delta\Sigma$ modulator achieves a dynamic range of 66/77/85 dB for UMTS/Bluetooth/GSM with a power consumption of 6.8/3.7/3.4 mW. This results in an energy per conversion step of 1.2/0.74/2.86 pJ.

Furthermore, this implementation shows that a cascaded structure is a power-efficient architecture for multimode requirements.

ACKNOWLEDGMENT

The authors want to thank Ross M. Walker for the interesting discussions.

REFERENCES

- [1] R. Schreier and G. C. Temes, *Understanding Delta Sigma Data Converters*. New York: IEEE Press, 2005.
- [2] T. Hayashi, Y. Inabe, K. Uchimura, and T. Kimura, "A multistage delta-sigma modulator without double integration loop," in *IEEE Int. Solid-State Circuits Conf. (ISSCC) Dig. Tech. Papers*, 1986, pp. 182–183.
- [3] Y. Matsuya, K. Uchimura, A. Iwata, T. Kobayashi, M. Ishikawa, and T. Yoshitome, "A 16-bit oversampling A-to-D conversion technology using triple-integration noise shaping," *IEEE J. Solid-State Circuits*, vol. 22, no. 6, pp. 921–929, Dec. 1987.
- [4] J. Candy and A.-N. Huynh, "Double interpolation for digital-to-analog conversion," *IEEE Trans. Commun.*, vol. 34, no. 1, pp. 77–81, Jan. 1986.
- [5] L. J. Breems, R. Rutten, and G. Wetzker, "A cascaded continuous-time $\Delta\Sigma$ modulator with 67-dB dynamic range in 10-MHz bandwidth," *IEEE J. Solid-State Circuits*, vol. 39, no. 12, pp. 2152–2160, Dec. 2004.
- [6] E. J. van der Zwan and E. C. Dijkmans, "A 0.2-mW CMOS $\Sigma\Delta$ modulator for speech coding with 80 dB dynamic range," *IEEE J. Solid-State Circuits*, vol. 31, no. 12, pp. 1873–1880, Dec. 1996.
- [7] K. Reddy and S. Pavan, "Fundamental limitations of continuous-time $\Delta\Sigma$ modulators due to clock jitter," *IEEE Trans. Circuits Syst. I: Reg. Papers*, vol. 54, no. 10, pp. 2184–2194, Oct. 2007.
- [8] B. Murmann, "ADC Performance Survey 1997–2009," 2009 [Online]. Available: <http://www.stanford.edu/~murmann/adcsurvey.html>
- [9] T. Christen, T. Burger, and Q. Huang, "A 0.13 μm CMOS EDGE/UMTS/WLAN tri-mode $\Delta\Sigma$ ADC with -92 dB THD," in *IEEE Int. Solid-State Circuits Conf. (ISSCC) Dig. Tech. Papers*, Feb. 2007, pp. 240–241, 599.
- [10] J. Paramesh, R. Bishop, K. Soumyanath, and D. Allstot, "An 11-bit 330 MHz 8x OSR $\Sigma\Delta$ modulator for next-generation WLAN," in *Symp. VLSI Circuits Dig. Tech. Papers*, 2006, pp. 166–167.
- [11] L. Bos, G. Vandersteen, J. Ryckaert, P. Rombouts, Y. Rolain, and G. Van der Plas, "A multirate 3.4-to-6.8 mW 85-to-66 dB DR GSM/Bluetooth/UMTS cascade DT $\Delta\Sigma$ M in 90 nm digital CMOS," in *IEEE Int. Solid-State Circuits Conf. (ISSCC) Dig. Tech. Papers*, Feb. 2009, pp. 176–177, 177a.
- [12] F. Colodro and A. Torralba, "Multirate $\Sigma\Delta$ modulators," *IEEE Trans. Circuits Syst. II: Analog Dig. Signal Process.*, vol. 49, no. 3, pp. 170–176, Mar. 2002.
- [13] R. del Rio *et al.*, *CMOS Cascade Sigma-Delta Modulators for Sensors and Telecom—Error Analysis and Practical Design*. New York: Springer, 2006.
- [14] K. Gulati and H.-S. Lee, "A low-power reconfigurable analog-to-digital converter," *IEEE J. Solid-State Circuits*, vol. 36, no. 12, pp. 1900–1911, Dec. 2001.
- [15] R. H. M. van Veldhoven, "A triple-mode continuous-time $\Sigma\Delta$ modulator with switched-capacitor feedback DAC for a GSM-EDGE/CDMA2000/UMTS receiver," *IEEE J. Solid-State Circuits*, vol. 38, no. 12, pp. 2069–2076, Dec. 2003.
- [16] O. Altun, J. Koh, and P. E. Allen, "A 1.5 V multirate multibit $\Sigma\Delta$ modulator for GSM/WCDMA in a 90 nm digital CMOS process," in *IEEE Int. Symp. Circuits and Systems (ISCAS)*, May 2005, vol. 6, pp. 5577–5580.
- [17] M. Ortmanns, L. Samid, Y. Manoli, and F. Gerfers, "Multirate cascaded continuous time $\Sigma\Delta$ modulators," in *IEEE Int. Symp. Circuits and Systems (ISCAS)*, 2002, vol. 4, pp. 225–228.
- [18] P. Rombouts and L. Weyten, "A study of dynamic element-matching techniques for 3-level unit elements," *IEEE Trans. Circuits Syst. II: Analog Dig. Signal Process.*, vol. 47, no. 11, pp. 1177–1187, Nov. 2000.
- [19] Matlab and Simulink Documentation, The Mathworks Inc., Natick, MA, Apr. 2009 [Online]. Available: <http://www.mathworks.com/>
- [20] H. Ishii, K. Tanabe, and T. Iida, "A 1.0 V 40 mW 10b 100 MS/s pipeline ADC in 90 nm CMOS," in *Proc. IEEE Custom Integrated Circuits Conf. (CICC'05)*, Sep. 21, 2005, pp. 395–398.
- [21] M. R. Miller and C. S. Petrie, "A multibit Sigma-Delta ADC for multimode receivers," *IEEE J. Solid-State Circuits*, vol. 38, no. 3, pp. 475–482, Mar. 2003.
- [22] G. Gomez and B. Haroun, "A 1.5 V 2.4/2.9 mW 79/50 dB DR $\Sigma\Delta$ modulator for GSM/WCDMA in a 0.13 μm digital process," in *IEEE Int. Solid-State Circuits Conf. (ISSCC) Dig. Tech. Papers*, 2002, vol. 2, pp. 242–490.
- [23] A. Dezzani and E. Andre, "A 1.2-V dual-mode WCDMA/GPRS $\Sigma\Delta$ modulator," in *IEEE Int. Solid-State Circuits Conf. (ISSCC) Dig. Tech. Papers*, Feb. 2003, pp. 58–59.
- [24] J. H. Shim, I.-C. Park, and B. Kim, "A third-order $\Sigma\Delta$ modulator in 0.18- μm CMOS with calibrated mixed-mode integrators," *IEEE J. Solid-State Circuits*, vol. 40, no. 4, pp. 918–925, Apr. 2005.
- [25] A. Morgado, R. del Rio, and J. M. de la Rosa, "An adaptive $\Delta\Sigma$ modulator for multi-standard hand-held wireless devices," in *Proc. IEEE Asian Solid-State Circuits Conf. (ASSCC)*, Nov. 2007, pp. 232–235.



Lynn Bos (S'07) received the M.S. degree in electrical engineering from the Vrije Universiteit Brussel (VUB), Belgium, in 2006.

She is currently working toward the Ph.D. degree at the Vrije Universiteit Brussel (VUB), Belgium, in collaboration with the Analog Wireless group in IMEC, Belgium. From January 2010 to May 2010, she was a visiting scholar at the Mixed Signal Integrated Circuit Design group at Stanford University, CA. Her research interests focus on delta sigma modulators.



Gerd Vandersteen (M'00–SM'07) received the electrical engineering degree from the Vrije Universiteit Brussel (VUB), Brussels, Belgium, in 1991. He received the Ph.D. degree in electrical engineering from the Vrije Universiteit Brussel/ELEC in 1997.

During his postdoc, he worked at the microelectronics research center IMEC as a principal scientist in the Wireless Group with the focus on modeling, measurement, and simulation of electronic circuits in state-of-the-art silicon technologies. This research was in the context of a collaboration with the Vrije

Universiteit Brussel. Since 2008, he has been a Professor at the Vrije Universiteit Brussel/ELEC. His research subject is measuring, modeling, and analysis of complex linear and nonlinear systems.



Pieter Rombouts (M'97) was born in Leuven, Belgium, in 1971. He received the Ir. degree in applied physics and the Dr. degree in electronics from Ghent University, Ghent, Belgium, in 1994 and 2000, respectively.

Since 1994, he has been with the Electronics and Information Systems Department, Ghent University, where he is currently Professor. In 2002, he was a visiting Professor at the University Carlos III, Madrid, Spain. His technical interests are signal processing, circuits and systems theory, and analog circuit design.



Arnd Geis (S'07) received the Dipl.Ing. degree in electrical engineering from the Technical University Braunschweig, Germany, in 2006. He is currently working toward the Ph.D. degree at the Vrije Universiteit Brussel (VUB), Belgium, in collaboration with IMEC, Belgium.

His research interests focus on discrete-time receiver topologies for software-defined radio applications.



Alonso Morgado received the telecommunication engineering degree from the University of Seville, Spain, in 2005. He is currently working toward the Ph.D. degree in the field of multi-standard analog-to-digital converters.

Since 2005, he has been with the Institute of Microelectronics of Seville (IMSE), CNM-CSIC, where he works in the Analog and Mixed-Signal Microelectronics group. From April 2008 to September 2008 and from September 2009 to December 2009, he was with IMEC, Leuven, Belgium,

as an internship Ph.D. student. His main areas of interest are in the field of analog-to-digital converters (especially sigma-delta ADCs), including analysis, behavioral modeling, and design of such circuits. He has authored or coauthored over 30 international scientific publications, including journal and conference papers.



Yves Rolain (M'89–SM'96–F'05) received the burgerlijk ingenieur (EE-1984), master in computer sciences (1986), and Doctor in applied sciences (1993), all from the VUB.

He is presently active at the VUB in the Electrical Measurement Department (ELEC). His main research interests are nonlinear microwave measurement techniques, applied digital signal processing and parameter estimation/system identification.

Dr. Rolain received the 2005 IEEE I&M Society Award.



Geert Van der Plas (S'01–M'03) received the M.Sc. and Ph.D. degrees from the Katholieke Universiteit Leuven, Belgium, in 1992 and 2001, respectively.

From 1992 to 2002, he was a Research Assistant with the ESAT-MICAS Laboratory of the Katholieke Universiteit Leuven. Since 2003, he has been with IMEC (SSET), Belgium, where he has been working on energy-efficient data converters, low-power scalable radios, signal integrity and design technology for 3-D integration. He has been the author or coauthor of over 100 papers in journals and conference proceedings and serves as a member of the technical program committee of the Symposium on VLSI Circuits.



Julien Ryckaert (S'06–M'07) was born in Brussels, Belgium, in 1977. He received the M.Sc. degree in electrical engineering from the University of Brussels (ULB), Belgium, in 2000 and the Ph.D. degree (*summa cum laude*) from the Vrije Universiteit Brussel (VUB) in 2007.

He joined IMEC, Leuven, Belgium, in 2000 as an RF designer for WLAN transceivers. From 2003 on, he worked as a system architect for low-power low-data-rate ultra-wideband transceivers in which he completed his Ph.D. He is now heading a project

on innovative wireless transceiver architectures for cognitive radio. He has authored or coauthored more than 30 articles in various IEEE conferences and journals.