

4-22-2020

## On-Site and External Energy Harvesting in Underground Wireless

Usman Raza  
*Purdue University*

Abdul Salam  
*Purdue University, salama@purdue.edu*

Follow this and additional works at: [https://docs.lib.purdue.edu/cit\\_articles](https://docs.lib.purdue.edu/cit_articles)



Part of the [Agricultural Economics Commons](#), [Agricultural Science Commons](#), [Digital Communications and Networking Commons](#), [Electrical and Electronics Commons](#), [Power and Energy Commons](#), [Sustainability Commons](#), and the [Systems and Communications Commons](#)


---

Raza, Usman and Salam, Abdul, "On-Site and External Energy Harvesting in Underground Wireless" (2020).  
*Faculty Publications*. Paper 34.  
[https://docs.lib.purdue.edu/cit\\_articles/34](https://docs.lib.purdue.edu/cit_articles/34)

This document has been made available through Purdue e-Pubs, a service of the Purdue University Libraries.  
Please contact [epubs@purdue.edu](mailto:epubs@purdue.edu) for additional information.

Review

# On-Site and External Energy Harvesting in Underground Wireless

Usman Raza \*  and Abdul Salam 

Department of Computer and Information Technology, Purdue University, West Lafayette, IN 47907, USA; salama@purdue.edu

\* Correspondence: uraza@purdue.edu

Received: 22 March 2020; Accepted: 16 April 2020; Published: 22 April 2020



**Abstract:** Energy efficiency is vital for uninterrupted long-term operation of wireless underground communication nodes in the field of decision agriculture. In this paper, energy harvesting and wireless power transfer techniques are discussed with applications in underground wireless communications (UWC). Various external wireless power transfer techniques are explored. Moreover, key energy harvesting technologies are presented that utilize available energy sources in the field such as vibration, solar, and wind. In this regard, the Electromagnetic(EM)- and Magnetic Induction(MI)-based approaches are explained. Furthermore, the vibration-based energy harvesting models are reviewed as well. These energy harvesting approaches lead to design of an efficient wireless underground communication system to power underground nodes for prolonged field operation in decision agriculture.

**Keywords:** soil sensing; decision agriculture; smart farming

## 1. Introduction

Wireless Underground Sensor Networks (WUSNs) is a subset of Wireless Sensor Network (WSN) paradigm. It is becoming a popular and developing area [1,2], and there is a large margin of improvements to resolve research challenges. WUSNs have buried sensor nodes, which use communication technologies to communicate the geological data in real-time. It is considered as a promising paradigm for the monitoring of various underground applications [3]. Some of the important and valuable application areas of WUSNs include sports, agriculture, environment, border patrolling and health [4–6]. However, adoption of WUSNs faces many implementation challenges. WUSNs accomplish wireless communication via Electromagnetic (EM) waves propagation through soil [7]. EM waves, through soil, suffer more attenuation compared to when they are propagated through air [8–10]. Moreover, changes in soil parameters, e.g., soil moisture and temperature, further affect real-time communication [11–13]. For example, some studies [14,15] are researching and mitigating soil moisture effect using microwave heating. Similarly, in [16], authors have proposed a Microwave and Meteorological fusion (MMF) strategy to downscale soil moisture. Due to these challenges, many researchers are working to investigate WUSNs empirically and model the underground wireless communication channel [5,8,11,17–19].

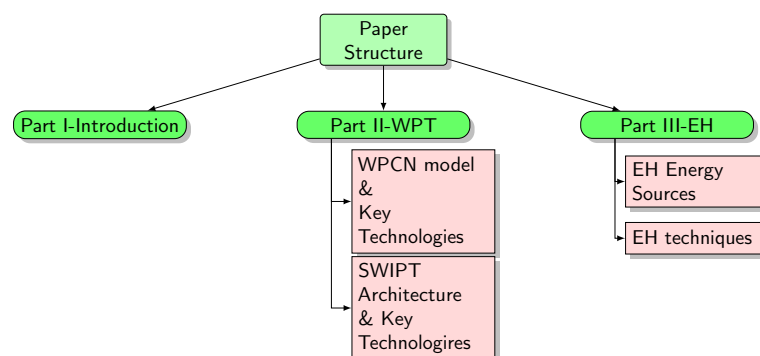
One of the challenges in WUSNs is the provision of sustainable renewable energy to the sensors deployed in the field [20]. In the last decade, there have been many technological advancements in natural and renewable energy sources with an aim to reduce climate change effects and extend the battery life of sensor nodes [21,22]. For any cost-efficient WUSN application, a WUSN device is expected to have a lifetime of several years [20]. There has been a lot of efforts in conserving energy by using energy-efficient communication protocols and hardware; however, communicating through soil

is still a power hungry process. In some WUSN applications, sensors are either partly or completely buried in the soil. Researchers have investigated battery replacements as an alternative method to extend the network life. However, replacing the battery is a very time-consuming, laborious and expensive process. Moreover, it might not always be possible to easily access the sensor power source for replacement or maintenance. Therefore, replacing the battery of sensor nodes is not applicable to large-scale WUSN deployments [23].

From the above discussion, it is evident that a potential solution must be developed to overcome the energy challenges in WUSNs. To that end, two general approaches to power up the underground sensor networks are:

- **Wireless Power Transfer (WPT):** WPT converts wireless Radio Frequency (RF) signals into electrical energy to power up the buried nodes [24]. Numerous wireless methods, e.g., electromagnetic induction, electromagnetic resonance, or radiation, can be used to transfer energy [25–28]. WPT techniques have been reviewed in detail in Section 2.
- **Energy Harvesting (EH):** EH is a method to extract energy from natural energy resources, e.g., solar [29,30], Human Body Area Network (HBAN) [31,32], water and wind flow [33–35], radio frequencies [36,37], and vibrations generated from different objects [33,38,39]. The extracted energy is then converted into electrical energy to power up the sensor nodes. Underground sensor nodes can be integrated with an energy harvesting component. This harvesting component uses natural energy sources, e.g., solar energy [40] from the environment to preserve energy. Energy Harvesting techniques have been reviewed in detail in Section 3.

The purpose of this work is to educate about the above mentioned techniques and review the existing energy scavenging techniques in the literature. To that end, this paper is divided into two major sections (see Figure 1): WPT techniques have been reviewed in Section 2 along with recent advancements and future research possibilities. EH techniques have been reviewed in detail in Section 3 along-with techniques and future research considerations explained in subsequent subsections.



**Figure 1.** The organization of the article.

## 2. Wireless Power Transfer (WPT)

WPT is a method of transferring power using wireless technology. It was first introduced by Nikola Tesla in 1890s [41]. It is used to build a Wireless Powered Communication Network (WPCN). WPCN is a promising technology in which networks of Wireless Devices (WD) are wirelessly energized using RF signal with the help of dedicated power transmitters [42–45]. WPCN distinguishes itself from traditional battery-powered wireless networks in that it does not require manual replacement or recharging of battery. Instead, it completely controls its power transfer process by tuning various parameters such as waveform, transmit power, time and frequency domains. This reduces the operational cost while enhancing communication performance of the network.

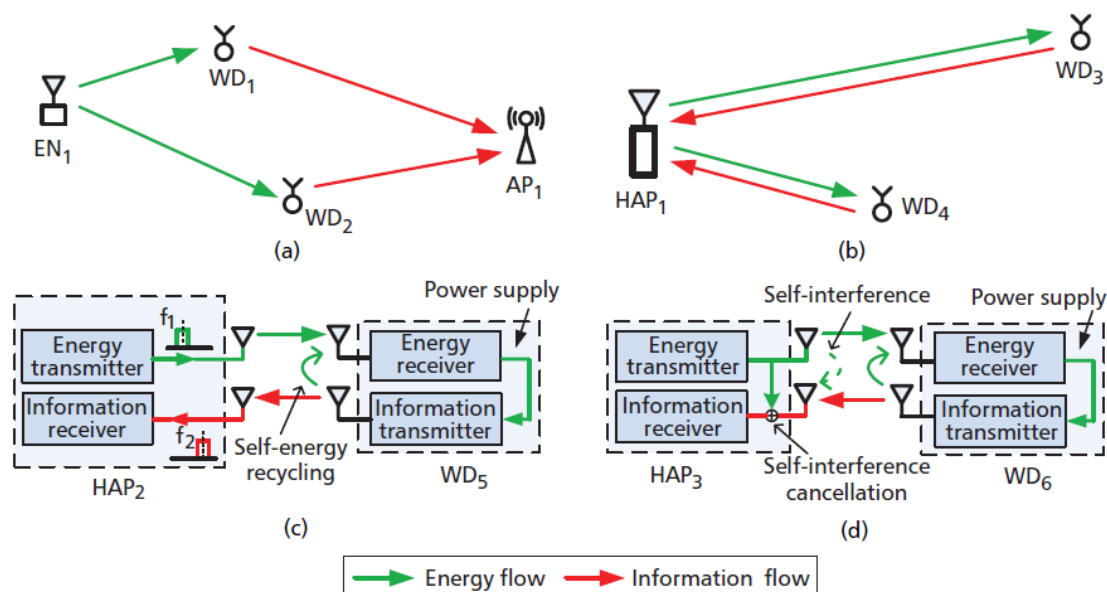
Although the transfer range depends on the local emission regulations and differs from location to location, WPT can transfer tens of micro-watts of RF power to devices at a distance of more than 10 m (Please visit: <http://www.powercastco.com> for detailed product specifications.) [42].

It makes them suitable for implementation in low-powered applications such as WUSNs, Radio Frequency Identification (RFID) and Internet of Underground Things (IOUT) [46,47]. WPCN, when deployed in WUSNs or IOUTs, has its own implementation challenges. As WDs are buried underground, the received energy can be very low because of reduced signal power (attenuation) in an underground environment [7]. This can cause severe performance degradation and unfairness between the devices [48,49]. This degradation of signals due to an unfavorable sub-surface environment has been studied in detail in the literature [6,50–53]. This literature investigates this problem by proposing different underground channel models based on Magnetic Induction (MI), EM, and acoustic technologies. However, it is out of the scope of this paper to discuss these techniques.

Another WUSN challenge is the joint transfer of E&I. It is important because information and energy are interrelated as underground WDs are required to harvest enough energy by WPT before transmitting the information. To that end, a WPT-related technology to wirelessly energize a sensor node known as Simultaneous Wireless Information and Power Transfer (SWIPT) [24,54] is also reviewed. Unlike traditional WPT, SWIPT simultaneously transfers information and power in the same signal instead of transferring power only. Moreover, energy transfer and communication channel may share the common channel which can cause co-channel interference. In coming sections, we have discussed both WPT and SWIPT techniques of wireless transfer of energy.

### 2.1. WPCN Model

Figure 2 shows the components of WPCN [55]. The basic building blocks of WPCN consist of: Energy Nodes (EN), which transmits energy; WDs, which harvest energy; Access Points (APs), which receives information and energy from WDs. ENs send the energy to WDs in down-link, and WDs use this energy to send information by communicating with the APs in an uplink (Figure 2a).



**Figure 2.** Wireless Powered Communication Network (WPCN) models with different transmitter and receiver schemes: (a) Physically different energy transmitter and information receiver, (b) Energy transmitter and information receiver co-located in same physical entity, (c) out-of-band transmission of information and energy and (d) full-duplex transmission of energy and information.

Normally, ENs and APs are separated [56]; however, they can be combined in a single device also known as Hybrid APs (HAP) as shown in (Figure 2b). HAP has an advantage of being cost-efficient in terms of production, operation, coordination and management of Energy and Information (E&I) transfer in a network. However, it can also introduce unfairness into the network. For example, in (Figure 2b), WD<sub>3</sub> will harvest less energy as compared to WD<sub>4</sub> because of the distance. On the contrary, in Figure 2a, WD<sub>2</sub> will harvest less energy from EN<sub>1</sub> than WD<sub>1</sub>; however, it will also require

less energy for communication because of less distance to AP. The circuitry for E&I transfer is different. For example, sensitivity of received signal power, sent by HAP, for information receiver is  $-60$  dBm and that for energy receiver is  $-10$  dBm [42]. Therefore, a practical WPT-based WD has two antennas: one for harvesting energy and other for transmitting information. Similarly, HAP with combined energy transmitter and information receiver also have two sets of antennas.

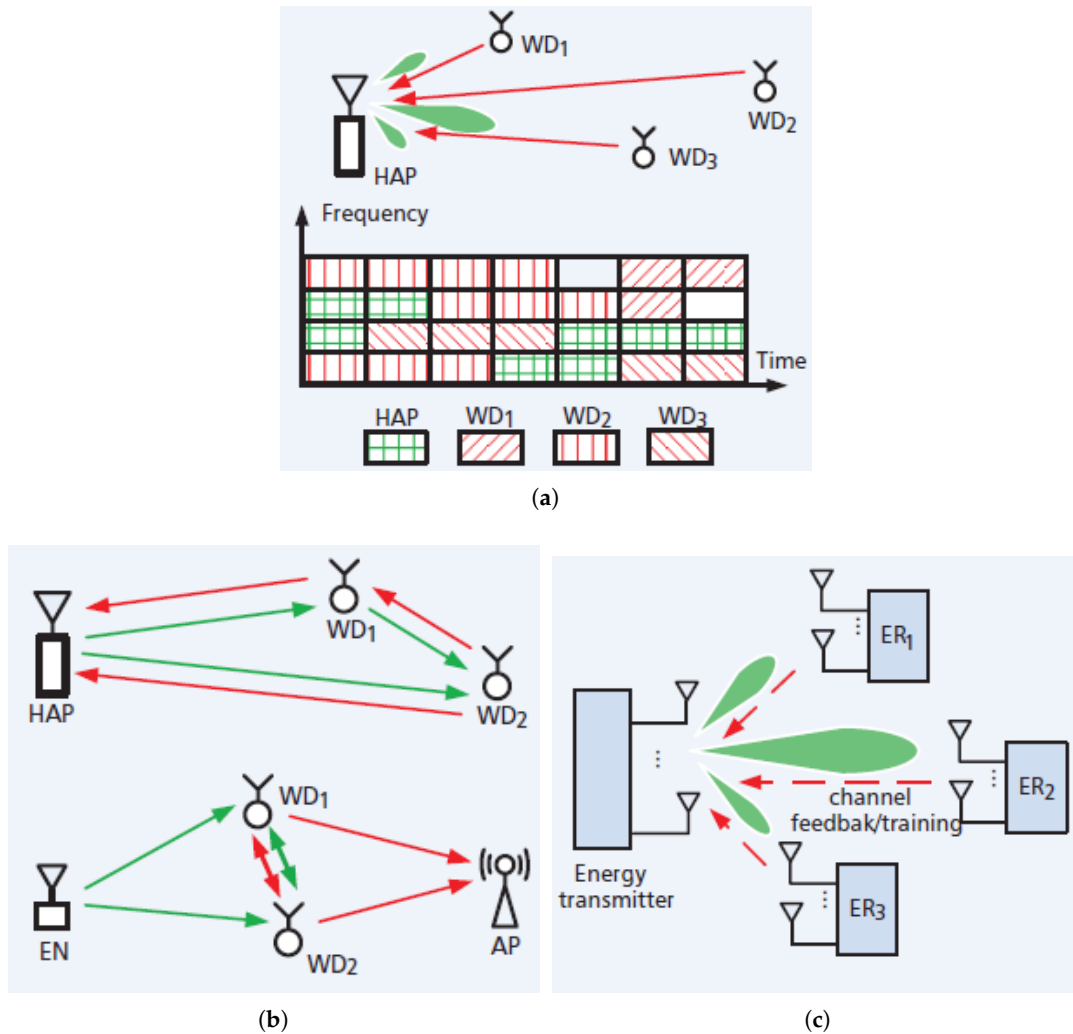
The E&I transmission can either be done in-band or out-band. Out-band means using different frequencies for transmission to eliminate interference; however, it has to satisfy the additional constraints imposed by Federal Communication Commission (FCC) on its operational frequency. In-band means same frequency band for E&I transmission, which suffers from co-channel interference especially in the HAP case. This can be solved by using full-duplex WDs and full duplex HAPs. Full-duplex, in the current context, refers to the ability of HAP to simultaneously transmit energy and information. This duplex operation also enables WDs to harvest energy from its own transmitted information. This phenomenon is known as self-energy recycling and is shown in Figure 2c [57]. Similarly, full-duplex HAP has the ability to cancel the high self-interference (Figure 2d), which arises due to energy transmission and severely affects information decoding.

## 2.2. Key WPCN Technologies

The performance of WPCN is limited by the low efficiency and range of WPT. There are some techniques that can be used to enhance the performance of WPCNs. This section discusses those techniques. These technologies can be used to extend the operation of WPCN to make it a viable solution for a broader set of applications.

### 2.2.1. Energy Beamforming

WPT in LOS links uses conventional large antennas with large aperture (dish or horn antennas). However, in an IOUT/WUSN environment with mobile application and dynamically changing environment, a more suitable solution is to use an electronically steered array antenna with energy beamforming enabled [42,58]. Energy beamforming superimposes the weighted signals from different antennas at Energy Receivers (ERs). One requirement, to maximize the level of received signal, is to have complete Channel State Information (CSI). The CSI includes magnitude and phase shift from transmit to receive antenna of ERs. Figure 3c shows one of the methods for CSI at Energy Transmitters (ETs) is via forward-link (ET to ER) training and reverse-link (ER to ET). This training design of WPT channel is limited by energy available to ER for channel estimation and sending feedback rather than bandwidth/time. Hence, accuracy of CSI knowledge at ET is highly dependent upon the energy used by ERs for the channel estimation and feedback, i.e., more available energy will result in more accurate CSI. However, energy cost at ER can increase the energy gain at ET, especially for the ET with a large number of antennas because CSI overhead increases with the increase in antennas. Therefore, reverse-link training seems a more feasible option where ER sends a training signal in reverse, and ET determines the CSI. This procedure saves ER from channel estimation and feedback, and training overhead is not dependent on the number of antennas. In addition to energy constraints of ER, WPT training design may also face challenges of hardware processing abilities, e.g., having sensors with not enough base-band processing units for estimating CSI [59,60].



**Figure 3.** Major performance improving mechanisms for WPCNs; energy transfer is denoted by green lines and information by red lines: (a) wireless powered cooperative communication, (b) wireless powered cooperative communication joint scheduling for communication and energy transfer and (c) energy beamforming.

### 2.2.2. Joint Communication and Energy Scheduling

In WPCN, communication and energy transmission are dependent on each other. EN makes energy requirements from WDs to transmit downlink energy as per demand of WDs. Similarly, the uplink information transmitted by WD is highly constrained by available energy from WPT energy harvesting. Given this interdependence of E&I transmission, there is a need of combined scheduling to prevent co-channel interference for an efficient system. As shown in Figure 3a, there are multiple frequency-time resource blocks available to WPCN, which can be scheduled dynamically to HAP (for energy transmission) or WDs (for information transmission). Multiple factors are considered for the scheduling such as communication requests, channel conditions, battery conditions and fairness among WDs. For example, because  $WD_2$  separated from HAP at large distance, more resources can be allocated to  $WD_2$  than other WDs to ensure fairness (Figure 3a). This resource allocation method can also be used for WPCN with separate EN and AP. Although it seems effective, dynamic scheduling is very challenging to implement because of temporal dependence of wireless channels and cause-effect relation between WPT and future wireless communication techniques [61].

### 2.2.3. Wireless Powered Cooperative Communication

Wireless powered cooperative communication is a collaborative mechanism where users, i.e., WDs, share their resources with other WDs. The resources could be energy, time and collaboration with neighboring APs. In Figure 3b, user close to HAP,  $WD_1$ , shares its energy and time to transmit by relaying data transmission for distant user  $WD_2$ . The relay protocol can be designed with three time slots: one for downlink transmission from HAP to  $WD_1$ , a second one for  $WD_2$  sending data to  $WD_1$ , and a third one for  $W_1$  sending a message with its own and  $WD_2$  data to HAP. In this way, a long-distant node can overcome the disadvantage of having short-range. To ensure fairness,  $WD_1$  can be compensated by allowing more time to transmit because cooperation enables HAP to devote more time to communication than WPT [62]. This cooperation can be extended from communication to energy, i.e.,  $WD_1$  transmitting available excess energy to  $WD_2$ . This cooperation mechanism makes the WPCN a low-cost and efficient system for communication and energy harvesting [63].

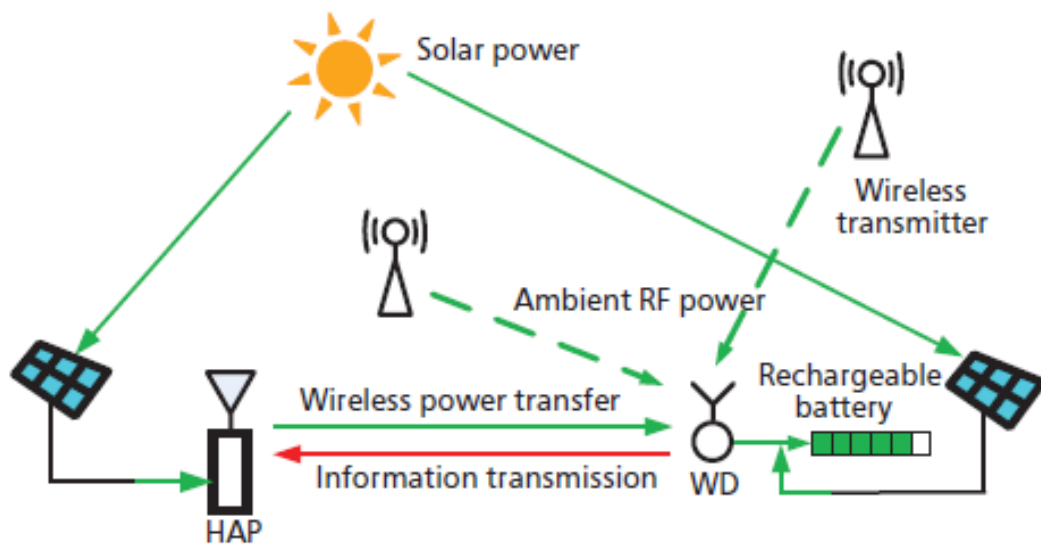
### 2.2.4. Future Research Considerations

In addition to the above methods, there are other important areas in WPCN, which can be further studied for improvement of the overall system. Some of those are discussed below:

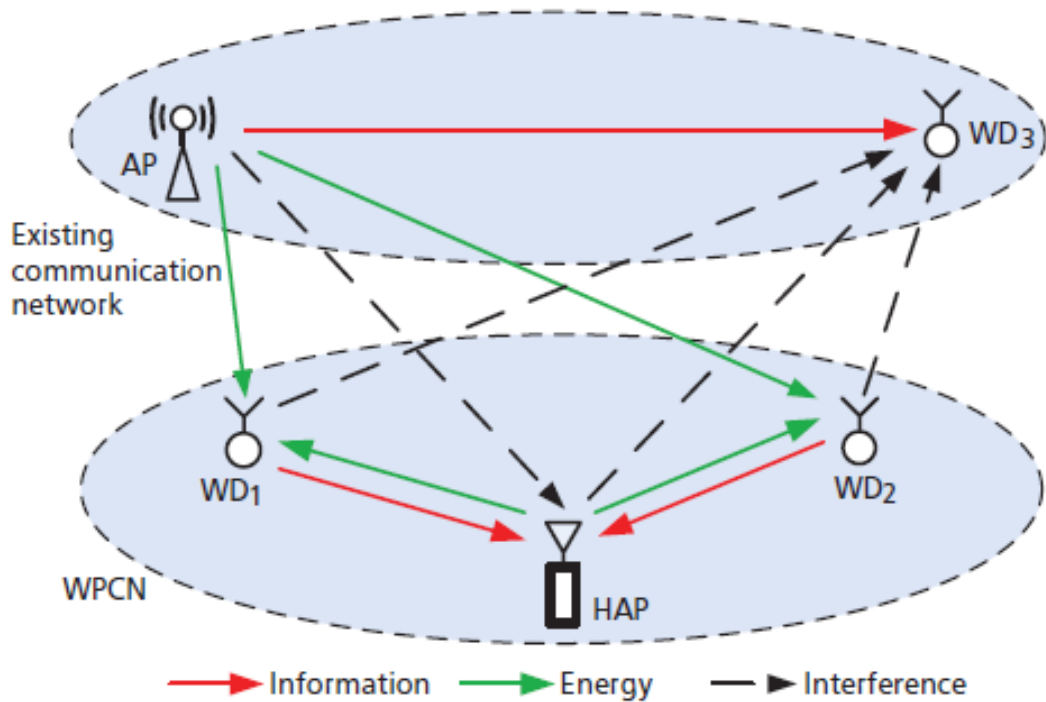
**Green WPCN [55,64]:** In WPCN, EN draws their energy from fixed aboveground energy sources. There is a potential to improve WPCN significantly by combining WPT-based energy harvesting methods with green and sustainable energy sources. Figure 4a shows the architecture of green WPCN. It can be seen that energy harvesting methods can be implemented at EN and WD. WDs can harvest energy from renewable energy sources and store them in rechargeable batteries. When there is enough renewable energy at WDs, ENs can stop transmitting energy because of battery constraint. On the contrary, WPT methods can be used when energy is not enough at WDs. With hybrid energy sources, i.e., fixed and renewable energy sources, the challenge is to change operation modes and using less amount of fixed energy source without degradation in communication performance. An optimal green WPCN depends on many factors: intensity of renewable energy, wireless channel and battery state.

**Cognitive WPCN [55]:** In practical implementations, WPCNs are expected to co-exist with various communication networks, which can lead to co-interference when they are simultaneously operating in same frequency bands. For example, in Figure 4b, there are two networks: a traditional communication network and a WPCN. WPCN can cause interference at  $WD_3$ , and similarly AP, can cause interference at HAP in WPCN, while decoding information. Note that in case of interference from AP to HAP, HAP harvests energy from AP for the use of  $WD_1$  and  $WD_2$ . Therefore, with limited available spectrum of frequencies, WPCN must be able to cognitively share the spectrum with other networks. A cognitive WPCN can be cooperative or non-cooperative. A cooperative cognitive WPCN and existing network can work similarly as a traditional primary/secondary setup of cognitive radio network where cognitive WPCN (secondary network) operates in the most optimal way possible while not affecting the operation of the existing network (primary network) [59,65]. A non-cooperative cognitive WPCN works in a similar way, except that it prioritizes its own well-being and gives secondary consideration to minimizing its effect on the primary network [66].

**Transmission Range:** Transmission range of devices is one of the important issues in WPT. It is evident from the fact that a maximum of 50% energy efficiency is achieved in a far field region [67–69]. Some systems can achieve up to 90% of efficiency using the high antennas and microwave signals; however, they are constrained by transmitter-receiver alignment, which requires both of them to be in Line-of-Sight (LoS). Therefore, there is a need to design omni-directional antenna for WPT systems. Moreover, WPT range in far field regions also needs to be investigated to enhance directivity and efficiency of energy transmission.



(a)



(b)

**Figure 4.** (a) WPCN implementation using hybrid energy sources, (b) WPCN using cognitive radio to efficiently use frequency spectrum.

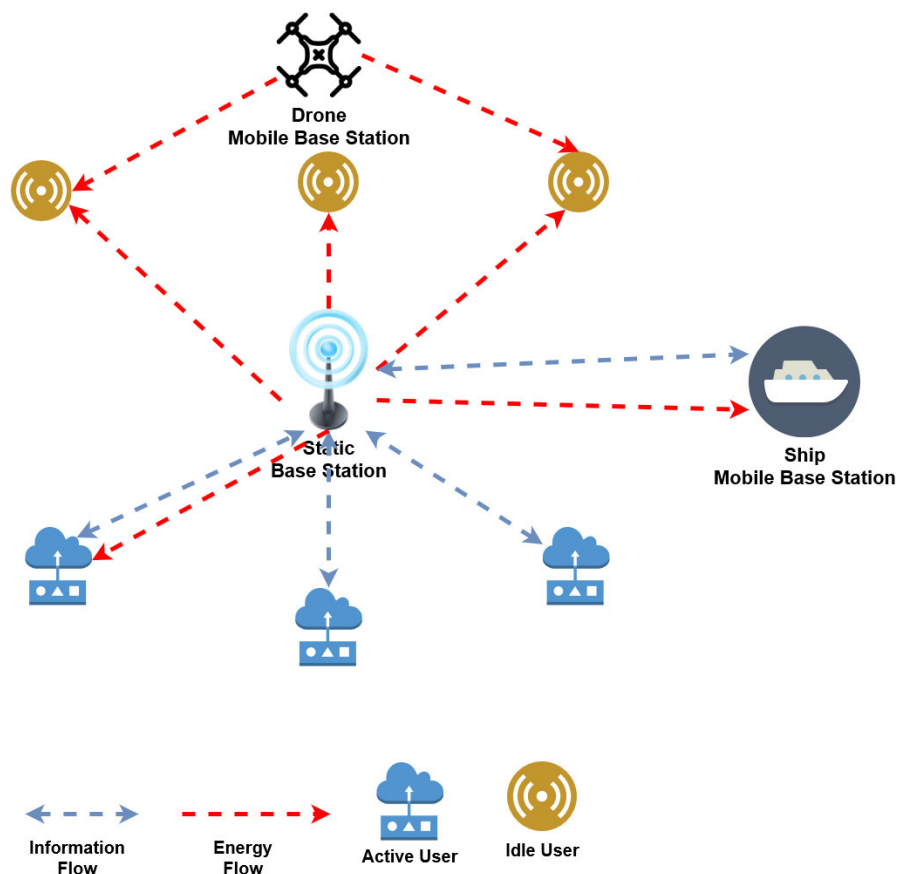
2.3. SWIPT

SWIPT was first studied by [70] as a technology that stems out of various WPT technologies [71]. It allows simultaneous transmission of information and power (Figure 5) by exploiting the EM waves emitted in WPT. There are three basic advantages of SWIPT [72]: (1) WDs in SWIPT are able to harvest energy while receiving data, thus extending their lifetime; (2) it improves the transmission efficiency from traditional Time Division Multiplexing Access (TDMA) methodology where information and power are transmitted separately and finally, (3) SWIPT gives a controlled communication interference, which is beneficial for EH.



Reference [70] uses an ideal receiver to for EH and Information Retrieval (IR). Reference [73] extended [70] by implementing SWIPT in for frequency selective channels with Additive White Gaussian Noise (AWGN). In [74] author uses two separate antenna circuits, i.e., one each for EH and IR, and [75] uses smart antenna and the concept of relaying in SWIPT Multiple Inputs Multiple Outputs (MIMO). In [76], authors evaluate SWIPT EH capabilities in presence of multiple users. EH with cognitive radios is studied in [77] where secondary radios harvest energy for primary users. Reference [78] uses energy constrained relay nodes to perform communication between two devices. However, practical SWIPT systems do not perform EH and IR using the same signal because of the possibility of information loss from the same RF signal performing EH. Therefore, SWIPT either divides the received signal into two separate parts (i.e., energy and information) or uses two different antennas for both tasks [74].

An efficient SWIPT system warrants some changes in a wireless communication system. Along with the traditional performance metrics (i.e., reception reliability and data rate) of a wireless communication network, trade-off between harvested power energy and received information data is an important factor to consider while evaluating SWIPT performance [70]. There are two major types of SWIPT architectures (Figure 6): (1) Time Switching [75] and (2) Power Splitting [79]. In time switching (Figure 6a), antenna at receiving node switches periodically between energy and information receiving modes. In power splitting (Figure 6b), signal at receiver is separated into two separate streams of information and energy.



**Figure 5.** Simultaneous Wireless Information and Power Transfer (SWIPT) using static and mobile base stations where arrow heads represent the direction of information and power flow. Idle users only harvest energy from base stations. Active users transmit and receive energy and information.

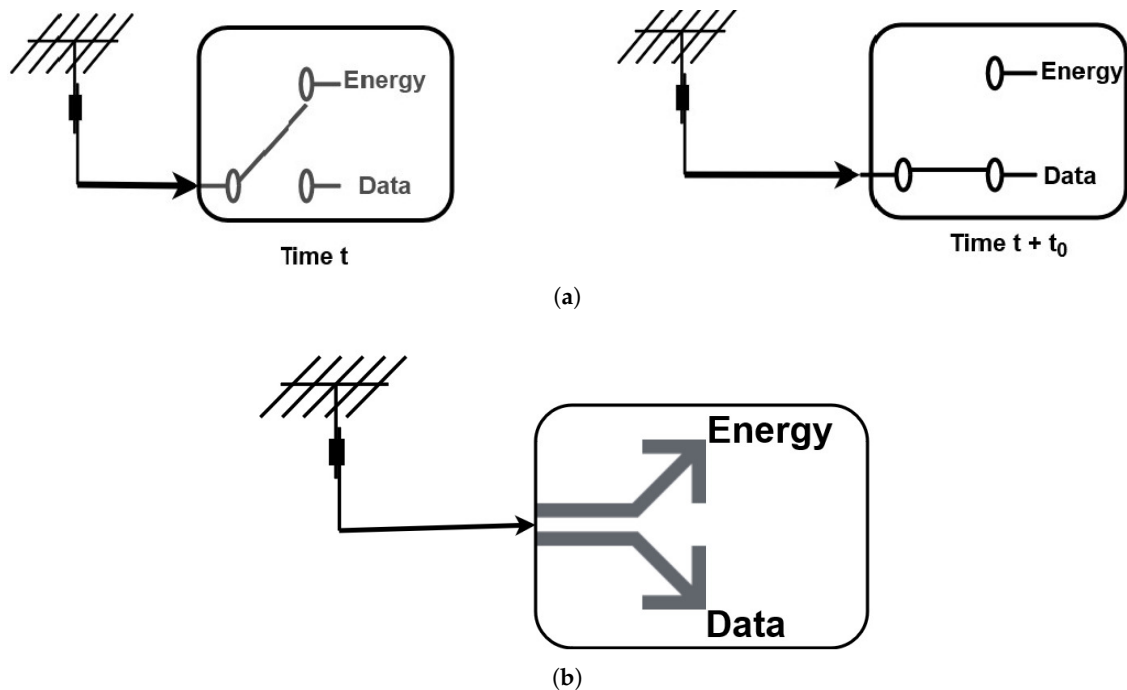


Figure 6. SWIPT Architecture: (a) Time Switching, (b) Power Splitting.

### 2.3.1. SWIPT-Enabled Wireless Systems

This section classifies SWIPT enabled wireless networks into the following types:

- A **WSN:** In WUSNs or IOUTs, the underlying buried sensors are connected via some WSN. The sensors have limited battery life. In some cases this network is huge, and it is almost impossible or very difficult to replace the batteries [80]. SWIPT is an enabling technology that can improve the WUSN/IOUT paradigm by prolonging the life of underlying WSN. The simultaneous exchange of energy and information can increase the performance of systems where sensors are frequently communicating with each other.
- B **Relayed Networks:** Relay networks use intermediate nodes to transmit signal or data in cooperative way. This improves performance by reducing fading and signal attenuation. SWIPT can be applied to a relayed network to power up the relay nodes in an effort to compensate them for helping in data transmission [81]. There are two types of scenarios in relayed networks for energy harvesting: SWIPT-based and Multihop-based. In the former, both relay nodes and source nodes harvest energy from each other whereas in the latter relay nodes are used to transfer energy to remote nodes [72]. The SWIPT relays are also studied in the context of physical, data and network layer where issues like relay operation, relay selection and power allocation, are addressed.
- C **Cognitive Radio Networks:** Cognitive network is a spectrum sharing network where high priority users (primary users-PUs) share their underutilized spectrum with secondary users (SUs) such that the SUs do not cause interference to the transmission of PUs. It aims to solve spectrum scarcity [82]. SWIPT-based cognitive network [83–85] can increase the spectrum sharing and EH efficiency. Extra energy from SUs can be utilized to transfer energy between PUs.
- D **Collaborative Mobile Clouds (CMC):** CMC is a cooperative way of sharing multimedia content in mobile computing in peer-to-peer manner [86]. In contrast to traditional cloud computing, CMC consist of mobile terminals that collaborate and cooperate to complete a task in a distributed manner. SWIPT can introduce energy efficiency to current CMC paradigm by allowing mobile terminals to receive information and harvest energy simultaneously. Moreover, as transmitting data consumes a large amount of energy, users may become selfish and do not join the network.

SWIPT can be used as an incentive for the users to motivate them to join the CMC network, hence, improving the overall performance of the network.

### 2.3.2. SWIPT Technologies

Implementation of SWIPT in wireless systems requires integration of multiple technologies. This section discusses some of these state of the art technologies below:

- A **Multi-antenna Transmission:** Limited communication is one of the major challenges in SWIP-based wireless systems. To that end, multiple antennas can be used to increase the antenna aperture and gain [72] higher communication frequency with multiple antenna arrangement in small devices. One of the challenges in multiple antenna design is the co-channel interference due to the presence of multiple users. Reference [74] attempts to solve this problem by block diagonalization precoding. This technique selectively transmits data to receivers with no interference only and energy to all other users.
- B **Resource Allocation:** SWIPT resource allocation is the optimal allocation of the resources available to the system. The resources for wireless systems include energy, time, bandwidth and space. The dual function of a transmitted signal needs an optimum method of scheduling and power allocation mechanisms. To that end, opportunistic power control uses the channel fading feature to improve energy and information transmission. Moreover, higher gain users, which are not transmitting the data, can be used to transfer power. Moreover, SWIPT systems can use the interference signals to their favor by directing it towards power hungry nodes. In [87], authors proposed resource allocation for SWIPT-based multi-user Orthogonal Frequency Division Multiplexing (OFDM) systems, which maximizes the total information rate under the constraint of minimum harvested energy. Reference [88] extends [87] by implementing a sub-optimal resource allocation technique for OFDM to balance the downlink and uplink communication rate. A SWIPT protocol is given in [89] for a massive MIMO antenna array system, which performs the scheduling of sensor nodes on the basis of beam-domain channel distributions to increase the transmission rate and decrease interference between the sensors.
- C **Signal Processing:** Another concern for the SWIPT is the signal attenuation due to path loss when distance is increased. Beamforming signal processing solutions [90–92] are presented as one of the viable methods to solve this problem. In [92], a SWIPT-MIMO system uses multi-antenna APs to collaboratively transmit a beam to multi-antenna active users. Reference [91] gives a hybrid approach of SWIPT-beamforming combining both analogue and digital beamforming for efficient energy harvesting. Moreover, received power over a SWIPT wireless system varies over time; however, the goal is to keep the received signal power below some threshold. To that end, energy modulation scheme can be used. In energy modulation, information can be encoded in the energy signal to ensure continuous information transmission. Reference [93] presents a modulation scheme, which uses multiple-antenna architecture to transfer an information encoded energy signal.

### 2.3.3. Future Research Considerations

In an effort to improve a complex SWIPT technology, this section presents some of the areas that are worth exploring in the context of SWIPT.

**Mobility:** Mobility is one of the desired features of SWIPT systems. The information transfer, energy harvesting and status of the network is time-dependent. Therefore, mobility affects the wireless channel, and it is not easy to obtain the channel information in a SWIPT system with mobility. To that end, it is important to device efficient beam formers to solve the mobility issue.

**Security:** Increase in energy of transmitted signal is desirable because it enhances the energy transfer from one source to destination. However, it also exposes various eavesdroppers stealing the information and causing a serious security breach. Therefore, it is important to devise SWIPT systems

that adapt their performance to the channel state by decreasing the signal power on the legitimate channel while decreasing on a wiretap channel.

**Multi-hop Networks:** There is a trade-off between information transmission and energy harvesting in relay networks [72], i.e., a relay node which is suitable for information transfer may not be good for energy transfer. Therefore, optimal selection of relay node is an important issue in SWIPT. Network coding allows increased data transmission for multiple receivers. It would be interesting to explore the combination of SWIPT, network coding and multi-hop networks.

### 3. Energy Harvesting

Wireless methods have been studied for mobile and aboveground applications. However, one of the challenges in this method is that an aboveground energy source must be available to provide adequate energy when needed. For this purpose, either a separate facility can be build aboveground or a flying object, e.g., Unmanned Aerial Vehicle (UAV), can be used as an energy carrier at site on the regular basis. Moreover, efficiency of transferring power wirelessly is yet to be understood completely. On the contrary, energy harvesting is a promising solution as an energy harvester can be deployed underground. This energy harvester can use existing vibration sources, e.g., agricultural machinery and vehicles on road); hence, it requires no separate and dedicated aboveground facility [60,94].

As per the International Energy Agency (IEA), the energy demands of the world are mainly fulfilled by non-renewable fossil fuels. With the world's energy demand incessantly increasing, these non-renewable resources are also being depleted and expected to exhaust in few years [95, 96]. Besides the environmental drawbacks of using fossil fuels, such as pollution, being harmful to human health, greenhouse gas emissions are also an important issue to consider while using these resources [97]. Therefore, it is important to shift the energy supply from fossil fuels to renewable and sustainable energy resources [98]. To that end, this section reviews the energy harvesting methods from renewable and sustainable energy resources.

WUSN's research mainly focuses on achieving advance functionalities within constrained energy and battery capacities. It is important to distinguish between energy sources and harvesting techniques in order to understand the energy harvesting paradigm completely. Energy sources are the natural and environmental phenomenon that one can use to harvest energy, e.g., radiant energy sources, kinetic energy sources. Next, we discuss some of the important energy sources that can be used to extract energy in WUSN [99,100].

#### 3.1. Energy Harvesting Sources

##### 3.1.1. Kinetic Energy Sources

Kinetic energy is the energy generated from motion. It is the work required for moving an object of a certain mass from rest to a certain speed. Kinetic energy may take number of forms such as vibrations and air or water flows. Some of these are discussed below:

**Vibrations:** Different manufacturing machines, mechanical stress and sound wave machines produce vibrations when used in various applications. The vibrations produce high-density energy, and devices used for producing energy are readily available off-the-shelf. The methods using these sources are majorly based on piezoelectric, electrostatic and electromagnetic effect [101,102]. These solutions use vibrations to generate electrical energy through two sub-systems: (1) a mass-spring system that transforms vibration into motion between two elements, and (2) a mechanical-to-electrical converter that changes the motion to electrical energy using any of the above mentioned effects. Vehicle vibrations are used as source of kinetic energy [103] and may also power on-board sensors [46,104]. For example, in [105], the authors propose a prototype design for energy harvesting in roadway pavements using the vibration produced by vehicles passing from speed bumps. Kinetic energy from human, e.g., energy from heart-beats [106], is also used to generate energy.

**Air or Water Flows:** One of the oldest methods to extract energy from natural resources such as air and water is by using windmills and hydroelectric turbines. Turbines transform a regular flow to rotational movement that powers the electromagnetic generator. Physical properties of turbine (e.g., number of blades, type of blades and axis of rotation) affect the amount of energy harvested. For example, for high-speed flows, few short blades work well, and for low-speed flows, a large number of long and wide blades serve the purpose. Due to low robustness and high maintenance costs, they are limited to specific applications. A system for self sustained fire-monitoring in the forest was designed by [107]. It uses a microwind turbine generator for energy harvesting. The output of wind turbine used by [107] depends upon the area, cube of wind speed and air density. The contact area of the wind turbine was 28.3 cm and the radius of its blade was 3 cm. They were able to harvest a power of 7.7 mW for the lowest wind speed of  $3 \text{ m s}^{-1}$ . A vertical-axis water turbine is used by [9,108] for energizing IOUT nodes in the application of water pipe monitoring.

### 3.1.2. Radiant Energy Sources

Radiant energy is the energy of electromagnetic waves. The most common radiant energy example is solar energy. Solar energy is an abundant, clean and readily available energy source. Photovoltaic cells, also known as solar cells, are used to extract energy from the EM radiations below the infrared spectrum. These cells work on the principle of photoelectric effect. Photoelectric effect is the phenomenon in which EM radiations, after hitting the material, emit electrons. The cell's material (e.g., Monocrystalline, Polycrystalline and Amorphous) plays an important role in efficiency, form factor and cost. Efficiency also depends on the load and operating temperature of the cell. For example, a cell generates maximum power with a load of  $10,000 \Omega$  under office lighting and  $1000 \Omega$  under PowerLED torch. A solar cell incorporates Maximum Power Point Tracking (MPPT) module to take advantage of this phenomenon. MPPT keeps a record of output power and applies the required load to optimize the performance. Radiant energy harvesting sources are popular because of their off-shelf availability and low cost. However, their performance relies heavily on duration and intensity of light. Some of the examples of energy harvesting using radiant sources for IOUT are given in [109], which designs an automated irrigation system using solar cells.

Solar energy harvesting is most suitable for outdoor implementations; however, some indoor implementations for hospitals and stadiums, etc., are also presented in [110]. For outdoor settings, Reference [111] extends the life of agricultural sensor nodes using the combination of wireless technology and solar energy. The achieved significant performance increases by combining solar energy and wireless communication technology. Similarly, Reference [112] also uses solar energy harvesting to propose an efficient energy management technique. They achieved minimum network delay and optimal throughput through this management technique.

Many solar EH implementations differ on the basis of solar cells and battery type. Some of the platforms include Batteryless Solar Harvester (BLSH) [113], Long-Term Solar Powered Node (LTSN) [114] and Micro-Scale Indoor Light (MSIL) energy harvesting system [115]. Reference [116] reviews solar energy based harvesting solutions. The wide availability of solar energy makes it an ideal option to be used in WSNs [117,118]. Many of the approaches are adaptive in nature and change their transmission range [119], routing [120], MAC [121] and scheduling [122] in order to adapt to solar energy harvesting. There are many other approaches [123,124], which ensure energy optimization and prolonged life of the network.

### 3.1.3. Energy from RF Transmission

RF energy harvesters are reliable, controllable, predictable and are available in both indoor and outdoor environments, which makes them more suitable than a solar energy harvester for some applications [125]. However, they have relatively low power density, i.e.,  $0.2 \text{ nW cm}^{-2}$  –  $1 \mu\text{W cm}^{-2}$  [126] and harvest a very low amount of energy, which makes them unsuitable for applications with a large number of nodes expecting low energy consumption [127].

There has been widespread use of cellular stations, WiFi networks and FM radios in recent years. This motivated the energy extraction from available RF transmissions [128]. The major component of RF-energy harvesting is the use of *rectenna*. Rectenna is a special type of antenna that converts the energy from electromagnetic waves into electrical energy [129]. Historically, the first microwave rectenna was introduced by Raytheon in 1964 [130], and it was first used to convert solar power to electrical power in 1972 [131]. Rectennas have been used for transmission of microwave power [132] and satellite power to analyze the performance of a rectenna array [133]. It consists of an antenna for capturing waves in the form of AC current, and a rectifying circuit to perform AC-DC conversion [134, 135]. Multiple antenna types and rectifying circuits have been used in order to design an efficient antenna. Multiband and broadband rectennas have been discussed in [136]. Lack of mechanical process in conversion of RF transmissions into electrical current make it a highly robust technique.

RF energy harvesting is gaining momentum [137]. Some of the studies are very encouraging [125,138,139] while some are pessimistic [140–142]. A single frequency GSM base station provides the power density of  $0.1 \text{ mW m}^{-1}$  to  $1 \text{ mW m}^{-1}$  to users in its proximity [142]. For a total GSM downlink frequency band, it increases the power density up to the factor of 1 to 3 [143]. However, for WLAN, lower power densities were observed (i.e., one order of magnitude lower) [140]. It shows that both, WLAN and GSM, fail to provide enough energy unless a large antenna is being used. This can be complicated in routing and scheduling decisions [137]. However, improvements are possible and more energy can be harvested using beam steering approaches at transmitter and efficient antenna design at the receiver [140]. Moreover, use of rectenna can provide stable DC electricity for the electric field ranging from  $0.5 \text{ V m}^{-1}$  to  $1 \text{ V m}^{-1}$ .

#### 3.1.4. Thermal Energy Sources

Internal energy of an object under thermodynamic equilibrium is known as thermal energy. Thermal energy can be harvested using Thermo Electric Generators (TEG). TEG work on the principle of Seebeck's effect given by Thomas Seebeck. Seebeck effect is the phenomenon that generates a voltage difference from the temperature difference between conductors/semi-conductors. Basically, a connection point of two metal elements (connected in series) is brought into contact with a hot spot to generate electrical energy as voltage. An important issue with the Seebeck effect is that it produces very low output voltage. Most of the electrical circuits are unable to operate at that voltage. To that end, more metal elements are connected in series to increase the output power [144].

Although the Seebeck effect is a very old technique (more than a decade), researchers have started investigating solutions based on this technique because devices, circuits, processors and system-on-chips (SoC) have a low power consumption [145,146]. Therefore, thermoelectric harvesters found their application as voltage sources [60,147]. The temperature of pyroelectric harvesters continuously changes; therefore, they use the material with ability to generate temporary voltage. Absence of mechanical motion makes these thermal harvesters robust and prolongs their lifetime without any maintenance. References [108,148] developed self-powered WUSN underground nodes, which harvest energy from the environment. Similarly, an underground health monitoring system for oil, gas and water pipes generates energy by leveraging thermal sources such as hot water and steam [149,150].

There have been efforts made to harvest energy from thermal sources. For example, the human body can generate power of around  $30 \mu\text{W cm}^{-1}$  [151]. This energy can be used as an energy source for wearable devices in the healthcare sector. Thermal energy harvesting is being used in many fall detection systems for elderly people [144]. Some hybrid energy harvesting approaches combining thermal and energy sources are reported in [152–154]. Similarly, in [155], thermal and optical energy harvesting is combined by fabricating a micro-TEG ( $\mu$ -TEG) and a solar cell on a single chip. Reference [156] propose a special antenna design, nanoantenna, to harvest thermal energy from an automobile exhaust system.

## 4. Energy Harvesting Techniques

### 4.1. EM-Based Approach

According to Faraday's Law of Electromagnetic (EM) Induction, an electric voltage is generated by any conductor that moves towards a magnetic field. EM-based approaches use Faraday's Law of EM induction [157]. Wireless power transfer (WPT) is being accomplished using RF over long-ranges. RF energy transfer enables wireless transfer of energy from power source to remote devices using electromagnetic waves as a medium [43,59]. Due to characteristics of EM waves, it has added advantage of energy transfer over long distance over other competing technologies [43,158]. EM harvesters are reliable, require no external voltage source and suffer from lower mechanical damping. However, they also suffer from rapid power dissipation as they travel in space resulting in very low end-to-end energy transfer, e.g., few watt of transmitted power will be received as few microwatt or milliwatt.

EM-based energy transfer method has been regarded as one of the possible ways of transferring energy for a very long time. However, it has recently been proved to be feasible because of reduction in power requirements of modern electronic devices, which according to Koomey's law [159], will further decrease in the future (by the factor of 10,000 over the next 20 years) [160,161]. This explosive decrease in power calls for rethinking and redesigning wireless networks.

In [158,162], authors have proposed an EM-based wireless powered sensor network (WPSN) that uses a power beacon to transfer energy to a sensor node. An efficient WPSN uses adaptive energy beamforming to change the direction of a microwave beam towards a sensor node in real-time. They proposed two algorithms: (1) a beamforming algorithm, which adapts to received power, and (2) an adaptive algorithm for controlling duty cycle. The purpose of the duty cycle algorithm is to prevent sensor nodes from depleting their energy. A testbed is created, which consists of one power beacon and one sensor node. WPSN protocol, beamforming and duty-cycle control algorithms are implemented in the testbed. The power beacon comprised six dipole antennas, six universal software radio peripherals (USRPs), an OctoClock, an Ethernet switch and a laptop. They conducted detailed experiments on the testbed and empirically evaluated the feasibility of multi-antenna WPSNs. The beamforming algorithm was able to receive 6 times more power than any random beamforming technique. The results also showed that the efficiency of the EM-based energy transfer (using RF), along with the applying beamforming, is directly proportional to the number of antennas used. This is because beamforming in large number of antennas makes the microwave beam sharper, resulting in better end-to-end efficiency. However, they considered only one sensor node for their experiments.

In [163], authors have developed EM harvesters, which have an energy conversion efficiency of 65% and generate power of 22.5  $\mu\text{W}$  at 10 Hz. Another study [157] developed a  $4.5 \times 4.5 \times 1 \text{ mm}^3$  EM harvester, which delivers 20.9  $\mu\text{V}$ . Byung et al. [164] developed a self-powered system consisting of a permanent magnet, a planar spring and a copper coil. It was able to generate a power of 1.52 mW. Similarly, another self-powered EM harvesting system is developed in [165], which has the capability of generating 140 mW. This system was used in portable electronic devices. A bi-stable EM vibration energy harvester is developed by Podder et al., which generates a power of 22  $\mu\text{W}$  at the frequency of 35 Hz [166].

In [167], a WPSN has been extended using multi-nodes multi-antenna. The system consists of multiple sensor nodes and a power beacon. The power beacon has multiple transmitting antennas, and each sensor node is equipped with a receiving antenna. The sensor uses this antenna to harvest energy from the power beacon. There is no other power source, except power beacon, for the sensor nodes. The beamforming algorithm enables the power beacon (connected to the power grid) to divide the microwave and direct them towards multiple sensor nodes for simultaneous charging. Two types of beamforming algorithms are used: (1) Time-sharing (TS) and (2) Beam-splitting (BS). For TS, the energy beam from the beacon is concentrated towards a single sensor for charging, and this beam is shared between all sensors in different time slots, hence maximizing the power of one

sensor node at a time. In BS, a single beam is shared between multiple sensor nodes to charge them simultaneously, achieving a Pareto optimal point in the region of received power. BS performs better than the TS. The technique aims to solve the problem of sending power to multiple nodes and prolonging their operation.

#### 4.2. MI-Based Approach

MI-based WUSNs were introduced in [1,6], which uses magnetic antennas implemented as coils. Magnetic Induction (MI)-based communication systems have gained popularity in recent years. Battery life is an important issue in IOUT, and many nodes require to be charged wirelessly. Wireless Power Transfer (WPT) of traditional WSNs can be directly implemented in IOUT; however, few changes will be required because of difference in medium and transceiver design (as coils are used instead of antenna). Alignment of coils also plays an important role in transfer efficiency [61,168].

MI-based schemes are famous for Near-Field Communication (NFC) [169], WPT, and IOUT [7,46,47,63]. These works study the design of point-to-point MI-based information transmission. For example, [170] performs the channel characterization of point-to-point transmission. There have been many efforts to extend a point-to-point MI-based transmission system into multiple transmitters [63,171], receivers [172] and even relays [7,173]. MI-based networks involving multiple transceivers and relays have also been analyzed in underground WSNs [174]. Various multiple-input multiple-output (MIMO) methods are used in different configurations of MI-based WPT and communication systems [58,175].

In [176], a MI-based SWIPT system with a three-coil transmitter and multiple single-coil receiver has been proposed. It divides the number of users into two groups: data receivers (DRs) and power receivers (PRs). From a pool of receiver devices, it randomly selects a device as a DR to receive information and uses the transmitter signal for WPT to PRs (remaining users). It further investigates two beamforming problems: (1) maximization of total power received for PRs (a max-sum problem) and (2) maximization of minimum power received among all PRs (max-min problem). High gains were observed in the received power as compared to the baseline technique, which validates the accuracy of proposed accuracy mechanism. However, there is a need of studying MI transmitter with more than three coils.

#### 4.3. Vibration-Based Approach

Vibrations can be defined as the mechanical oscillation of an object whose equilibrium has been disturbed. These oscillations can be shown in any of the two functions of an object: (1) displacement and (2) frequency. Another method of energy harvesting uses the vibration sources from the environment. Vibration EHs are able to convert mechanical vibration into electricity to power up low-powered electrical equipment [177]. Vibration energy harvesters use energy sources such as sun [178], biomass [179] and wind [180] to harvest energy. Vibration energy harvesting has many advantages in WSNs. Some of these include: (1) no requirement of voltage source, (2) highly efficient power generation, (3) producing high power voltage, (4) suitable for using with resonant devices and (5) quick response time. Some of the studies [19,38,39] have considered vibration energy harvesting in the application of WUSNs. These solutions have been sought as promising alternatives to battery replacement [181,182].

This method is based on piezoelectric effect where vibrations due to stress are converted to electricity. The main challenge in this technology is to extract enough energy needed to fulfill the energy requirement of a certain application. Furthermore, piezoelectric is frequency dependent, therefore, to generate the desired power it should be set on a right frequency. Another challenge using vibration harvesting is having a wide range of frequency in the environment. It is difficult to get the right frequency, from this wide range, which can generate highest power. The amount of power generated by vibration energy harvesting method has been investigated by many studies [183–186].



In WUSNs/IOUT, vibration energy can be generated from several sources. It depends upon the WUSN application. For example, for an agricultural IOUT, these sources can be seeders, harvesters, irrigation systems and other machinery. The vibration generated by this equipment, above the ground, should propagate underground reaching buried piezoelectric energy harvesters. The amount of power generated is then dependent upon the intensity of vibration reached at deployment depth. Therefore, it is very important to understand and study mechanisms of wave propagation from the soil and other underground mediums.

In [187,188], authors perform a three-step theoretical analysis and propose a mathematical model for estimating the amount of power generated by an underground vibration energy harvester, buried at some depth ( $d_h$ ), in response to the amount of vibration generated by the above-ground vibrating object. First, they formulate the intensity of vibration generated. Second, they model how most of that vibration propagates to the soil. Finally, the amount of energy generated from this UG vibration and energy harvester is captured. Figure 7a illustrates the procedure. They tested their research on an agricultural setup by performing various experiments in South Central Agricultural Laboratory, one of the agricultural research divisions (ARD) near Clay Center, Nebraska. Figure 7b shows the schematic of the devices for the experiments. The intensity and frequency of vibration is measured for agricultural machinery. The agricultural machinery are the frequently used center pivot irrigation system and the four-wheeler used in farms. These vibrations were measured at varying depths to measure the feasibility of UG energy harvesting. Three DLP-TILT-G accelerometer sensors were used for the experiments (see Figure 7b). As a result of the experiments, a maximum output power of 17 mW was calculated. However, this power might not be achieved practically. For example, in one of the studies [183], the energy harvester achieved 3.5 mW. For the practical purpose of generating energy from a vibration harvester, high acceleration is required from the vibration sources (seeders, harvesters and sprayers). Furthermore, there is need of further advancement and investigation in vibration energy harvesting for studying environmental conditions, e.g., rain and temperature changes, and their impacts.

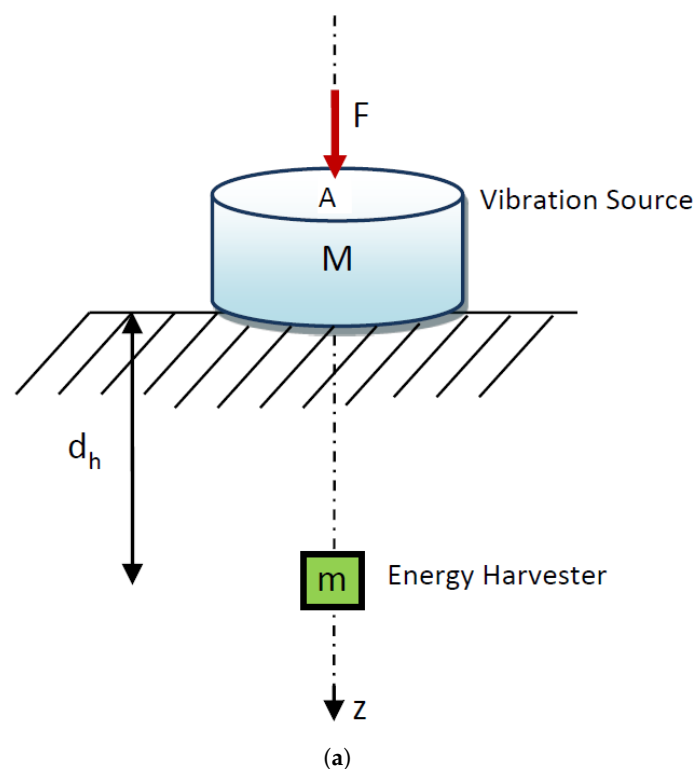


Figure 7. Cont.



(b)

**Figure 7.** Vibration energy harvester: (a) source for the vibration is on the surface with energy harvester deployed in the soil, (b) deployment in agriculture field.

#### Future Research Considerations

This section presents some of the areas that are worth exploring in the context of Energy Harvesting approaches.

**Generic Harvester:** Harvesting energy from multiple sources is a challenging task that needs more advanced power management techniques. To this end, it is important to develop a plug-n-play energy harvesting method, which uses multiple energy sources to harvest energy. Such generic harvesters may even eliminate the energy storage systems.

**Efficient Networking Protocol:** Research in WUSN has mostly been focused on efficient networking protocol [189]. A good EH approach can shift this focus from energy-efficient to information centric protocols.

**Simulation Environment:** To the best of our knowledge, there is no simulation environment for evaluating energy harvesting in WUSN. Such simulation environment would help in prediction performance of EH approaches in large-scale deployment of WUSNs.

**Auxiliary Energy Storage:** Large-scale WUSNs affect different parameters of batteries, e.g., charge cycles, self-discharge and environmental conditions. Therefore, it is important for researchers to analyze and improve the performance of rechargeable batteries. Moreover, battery-capacitor trade-off as a storage device is also an important area to improve.

**Miniaturization:** Large-scale WUSNs along-with heavy and bulky energy harvesting systems increase the deployment costs several times, which is not feasible when the budget is low. Therefore, it is important to develop mini energy harvesting systems. Such miniaturized harvesting systems can also be used to empower implants and for the monitoring of the human body.

**Author Contributions:** Conceptualization, U.R. and A.S.; methodology, U.R.; software, A.S.; validation, A.S. and U.R.; formal analysis, A.S.; investigation, U.R. and A.S.; resources, A.S.; data curation, A.S.; writing—original draft preparation, A.S.; writing—review and editing, U.R.; visualization, A.S.; supervision, A.S.; project administration, A.S.; funding acquisition, A.S. All authors have read and agreed to the published version of the manuscript.

**Funding:** This research received no external funding.

**Acknowledgments:** In this section you can acknowledge any support given which is not covered by the author contribution or funding sections. This may include administrative and technical support, or donations in kind (e.g., materials used for experiments).

**Conflicts of Interest:** The authors declare no conflict of interest.

## Abbreviations

APs	Access Points
AWGN	Additive White Gaussian Noise
CSI	Channel State Information
EH	Energy Harvesting
EM	Electromagnetic
EN	Energy Nodes
ERs	Energy Receivers
ETs	Energy Transmitters
FCC	Federal Communication Commission
HAP	Hybrid APs
HBAN	Human Body Area Network
IOUT	Internet of Underground Things
LoS	Line-of-Sight
MI	Magnetic Induction
MIMO	Multiple Inputs Multiple Outputs
NFC	Near-Field Communication
OFDM	Orthogonal Frequency Division Multiplexing
RF	Radio Frequency
RFID	Radio Frequency Identification
SWIPT	Simultaneous Wireless Information and Power Transfer
TDMA	Time Division Multiplexing Access
UAV	Unmanned Aerial Vehicle
WD	Wireless Devices
WPCN	Wireless Powered Communication Network
WPT	Wireless Power Transfer
WSN	Wireless Sensor Network
WUSNs	Wireless Underground Sensor Networks

## References

1. Akyildiz, I.F.; Stuntebeck, E.P. Wireless underground sensor networks: Research challenges. *Ad Hoc Netw.* **2006**, *4*, 669–686.
2. Salam, A.; Vuran, M.C. Smart Underground Antenna Arrays: A Soil Moisture Adaptive Beamforming Approach. In Proceedings of the IEEE INFOCOM 2017, Atlanta, GA, USA, 1–4 May 2017.
3. Liu, G.; Wang, Z.; Jiang, T. QoS-aware throughput maximization in wireless powered underground sensor networks. *IEEE Trans. Commun.* **2016**, *64*, 4776–4789.
4. Bogena, H.; Herbst, M.; Huisman, J.; Rosenbaum, U.; Weuthen, A.; Vereecken, H. Potential of wireless sensor networks for measuring soil water content variability. *Vadose Zone J.* **2010**, *9*, 1002–1013.
5. Dong, X.; Vuran, M.C.; Irmak, S. Autonomous precision agriculture through integration of wireless underground sensor networks with center pivot irrigation systems. *Ad Hoc Netw.* **2013**, *11*, 1975–1987.
6. Salam, A. An Underground Radio Wave Propagation Prediction Model for Digital Agriculture. *Information* **2019**, *10*, 147, doi:10.3390/info10040147.
7. Salam, A. Wireless Underground Communications in Sewer and Stormwater Overflow Monitoring: Radio Waves through Soil and Asphalt Medium. *Information* **2020**, *11*, 98.
8. Silva, A.R.; Vuran, M.C. Communication with aboveground devices in wireless underground sensor networks: An empirical study. In Proceedings of the 2010 IEEE international conference on communications, Cape Town, South Africa, 23–27 May 2010; IEEE: Washington, DC, USA, 2010; pp. 1–6.

9. Salam, A.; Vuran, M.C. EM-Based Wireless Underground Sensor Networks. In *Underground Sensing*; Academic Press: Cambridge, MA, USA, 2018; pp. 247–285, doi:10.1016/B978-0-12-803139-1.00005-9.
10. Silva, A.R.; Vuran, M.C. Empirical evaluation of wireless underground-to-underground communication in wireless underground sensor networks. In *International Conference on Distributed Computing in Sensor Systems*; Springer: Berlin/Heidelberg, Germany, 2009; pp. 231–244.
11. Vuran, M.C.; Akyildiz, I.F. Channel model and analysis for wireless underground sensor networks in soil medium. *Phys. Commun.* **2010**, *3*, 245–254.
12. Salam, A. Internet of Things for Sustainable Forestry. In *Internet of Things for Sustainable Community Development: Wireless Communications, Sensing, and Systems*; Springer International Publishing: Cham, Switzerland, 2020; pp. 147–181.
13. Salam, A. Internet of Things for Environmental Sustainability and Climate Change. In *Internet of Things for Sustainable Community Development: Wireless Communications, Sensing, and Systems*; Springer International Publishing: Cham, Switzerland, 2020; pp. 33–69, doi:10.1007/978-3-030-35291-2\_2.
14. Fanaria, F.; Dachenab, C.; Cartaa, R.; Desogusa, F. Heat Transfer Modeling in Soil Microwave Heating. *Chem. Eng.* **2019**, *76*, doi:10.3303/CET1976119.
15. Macana, R.J. Disinfestation of Rusty Grain Beetle (*Cryptolestes Ferrungineus*) in Stored Wheat Grain Using 50-Ohm Radio Frequency (RF) Heating System. Ph.D. Thesis, University of Saskatchewan, Saskatoon, SK, Canada, 2019.
16. Sun, H.; Cai, C.; Liu, H.; Yang, B. Microwave and Meteorological Fusion: A method of Spatial Downscaling of Remotely Sensed Soil Moisture. *IEEE J. Sel. Top. Appl. Earth Obs. Remote Sens.* **2019**, *12*, 1107–1119.
17. Dong, X.; Vuran, M.C. A channel model for wireless underground sensor networks using lateral waves. In Proceedings of the 2011 IEEE Global Telecommunications Conference-GLOBECOM 2011, Houston, TX, USA, 5–9 December 2011; IEEE: Washington, DC, USA, 2011; pp. 1–6.
18. Li, L.; Vuran, M.C.; Akyildiz, I.F. Characteristics of underground channel for wireless underground sensor networks. *Proc. Med-Hoc-Net* **2007**, *7*, 13–15.
19. Salam, A. Internet of Things in Sustainable Energy Systems. In *Internet of Things for Sustainable Community Development: Wireless Communications, Sensing, and Systems*; Springer International Publishing: Cham, Switzerland, 2020; pp. 183–216, doi:10.1007/978-3-030-35291-2\_6.
20. Tooker, J.; Vuran, M.C. Mobile data harvesting in wireless underground sensor networks. In Proceedings of the 2012 9th Annual IEEE Communications Society Conference on Sensor, Mesh and Ad Hoc Communications and Networks (SECON), Seoul, Korea, 18–21 June 2012; IEEE: Washington, DC, USA, 2012; pp. 560–568.
21. Matos, C.R.; Carneiro, J.F.; Silva, P.P. Overview of large-scale underground energy storage technologies for integration of renewable energies and criteria for reservoir identification. *J. Energy Storage* **2019**, *21*, 241–258.
22. Flores-Quintero, R.R.; Flores-Verdad, G.E.; Gonzalez-Diaz, V.R.; Carrillo-Martinez, L.A. A parallel auto-adaptive topology for integrated energy harvesting system. *Microelectron. J.* **2020**, *98*, 104736.
23. Zhang, S.; Qian, Z.; Wu, J.; Kong, F.; Lu, S. Wireless charger placement and power allocation for maximizing charging quality. *IEEE Trans. Mob. Comput.* **2017**, *17*, 1483–1496.
24. Hossain, M.A.; Noor, R.M.; Yau, K.L.A.; Ahmedy, I.; Anjum, S.S. A survey on simultaneous wireless information and power transfer with cooperative relay and future challenges. *IEEE Access* **2019**, *7*, 19166–19198.
25. Castelvechi, D. Wireless energy may power electronics: Dead cell phone inspired research innovation. *MIT TechTalk* **2006**, *51*, 1.
26. Karalis, A.; Joannopoulos, J.D.; Soljačić, M. Efficient wireless non-radiative mid-range energy transfer. *Ann. Phys.* **2008**, *323*, 34–48.
27. Kurs, A.; Moffatt, R.; Soljačić, M. Simultaneous mid-range power transfer to multiple devices. *Appl. Phys. Lett.* **2010**, *96*, 044102.
28. Salam, A. Internet of Things for Sustainable Human Health. In *Internet of Things for Sustainable Community Development: Wireless Communications, Sensing, and Systems*; Springer International Publishing: Cham, Switzerland, 2020; pp. 217–242, doi:10.1007/978-3-030-35291-2\_7.
29. Sharma, H.; Haque, A.; Jaffery, Z.A. Maximization of wireless sensor network lifetime using solar energy harvesting for smart agriculture monitoring. *Ad Hoc Netw.* **2019**, *94*, 101966.

30. Mohammadnia, A.; Rezania, A.; Ziapour, B.M.; Sedaghati, F.; Rosendahl, L. Hybrid energy harvesting system to maximize power generation from solar energy. *Energy Convers. Manag.* **2020**, *205*, 112352.
31. Ghomian, T.; Mehraeen, S. Survey of energy scavenging for wearable and implantable devices. *Energy* **2019**, *178*, 33–49.
32. Boumaiz, M.; El Ghazi, M.; Mazer, S.; Fattah, M.; Bouayad, A.; El Bekkali, M.; Ballboul, Y. Energy harvesting based WBANs: EH optimization methods. *Procedia Comput. Sci.* **2019**, *151*, 1040–1045.
33. Wang, J.; Geng, L.; Ding, L.; Zhu, H.; Yurchenko, D. The state-of-the-art review on energy harvesting from flow-induced vibrations. *Appl. Energy* **2020**, *267*, 114902.
34. Chen, X.; Foley, A.; Zhang, Z.; Wang, K.; O'Driscoll, K. An assessment of wind energy potential in the Beibu Gulf considering the energy demands of the Beibu Gulf Economic Rim. *Renew. Sustain. Energy Rev.* **2020**, *119*, 109605.
35. Dandy, G.C.; Marchi, A.; Maier, H.R.; Kandulu, J.; MacDonald, D.H.; Ganji, A. An integrated framework for selecting and evaluating the performance of stormwater harvesting options to supplement existing water supply systems. *Environ. Model. Softw.* **2019**, *122*, 104554.
36. Nintanavongsa, P. A survey on RF energy harvesting: Circuits and protocols. *Energy Procedia* **2014**, *56*, 414–422.
37. Cansiz, M.; Altinel, D.; Kurt, G.K. Efficiency in RF energy harvesting systems: A comprehensive review. *Energy* **2019**, *174*, 292–309.
38. Pan, J.; Xue, B.; Inoue, Y. A self-powered sensor module using vibration-based energy generation for ubiquitous systems. In Proceedings of the 2005 6th International Conference on ASIC, Shanghai, China, 24–27 October 2005; IEEE: Washington, DC, USA, 2005; Volume 1, pp. 403–406.
39. Roundy, S.; Wright, P.K.; Rabaey, J. A study of low level vibrations as a power source for wireless sensor nodes. *Comput. Commun.* **2003**, *26*, 1131–1144.
40. Raghunathan, V.; Kansal, A.; Hsu, J.; Friedman, J.; Srivastava, M. Design considerations for solar energy harvesting wireless embedded systems. In Proceedings of the IPSN 2005. Fourth International Symposium on Information Processing in Sensor Networks, Boise, ID, USA, 15 April 2005; IEEE: Washington, DC, USA, 2005; pp. 457–462.
41. Perera, T.D.P.; Jayakody, D.N.K.; Sharma, S.K.; Chatzinotas, S.; Li, J. Simultaneous wireless information and power transfer (SWIPT): Recent advances and future challenges. *IEEE Commun. Surv. Tutor.* **2017**, *20*, 264–302.
42. Bi, S.; Ho, C.K.; Zhang, R. Wireless powered communication: Opportunities and challenges. *IEEE Commun. Mag.* **2015**, *53*, 117–125.
43. Lu, X.; Wang, P.; Niyato, D.; Kim, D.I.; Han, Z. Wireless networks with RF energy harvesting: A contemporary survey. *IEEE Commun. Surv. Tutor.* **2014**, *17*, 757–789.
44. Krikidis, I.; Timotheou, S.; Nikolaou, S.; Zheng, G.; Ng, D.W.K.; Schober, R. Simultaneous wireless information and power transfer in modern communication systems. *IEEE Commun. Mag.* **2014**, *52*, 104–110.
45. Butt, M.M.; Nauryzbayev, G.; Marchetti, N. On maximizing information reliability in wireless powered cooperative networks. In *Physical Communication*; Elsevier: Amsterdam, The Netherlands, 2020; in press.
46. Vuran, M.C.; Salam, A.; Wong, R.; Irmak, S. Internet of underground things in precision agriculture: Architecture and technology aspects. *Ad Hoc Netw.* **2018**, *81*, 160–173.
47. Saeed, N.; Al-Naffouri, T.Y.; Alouini, M.S. Towards the Internet of Underground Things: A Systematic Survey. *arXiv* **2019**, arXiv:1902.03844
48. Ju, H.; Zhang, R. Throughput maximization in wireless powered communication networks. *IEEE Trans. Wirel. Commun.* **2013**, *13*, 418–428.
49. Salam, A.; Vuran, M.C.; Irmak, S. Di-Sense: In situ real-time permittivity estimation and soil moisture sensing using wireless underground communications. *Comput. Netw.* **2019**, *151*, 31–41, doi:10.1016/j.comnet.2019.01.001.
50. Saeed, N.; Alouini, M.S.; Al-Naffouri, T.Y. Toward the internet of underground things: A systematic survey. *IEEE Commun. Surv. Tutor.* **2019**, *21*, 3443–3466.
51. Sun, Z.; Akyildiz, I.F. Channel modeling and analysis for wireless networks in underground mines and road tunnels. *IEEE Trans. Commun.* **2010**, *58*, 1758–1768.

52. Salam, A.; Vuran, M.C.; Dong, X.; Argyropoulos, C.; Irmak, S. A theoretical model of underground dipole antennas for communications in internet of underground things. *IEEE Trans. Antennas Propag.* **2019**, *67*, 3996–4009.
53. Kisseleff, S.; Akyildiz, I.F.; Gerstacker, W.H. Survey on advances in magnetic induction-based wireless underground sensor networks. *IEEE Internet Things J.* **2018**, *5*, 4843–4856.
54. Liang, Y.; He, Y.; Qiao, J.; Hu, A.P. Simultaneous Wireless Information and Power Transfer in 5G Mobile Networks: A Survey. In Proceedings of the 2019 Computing, Communications and IoT Applications (ComComAp), Shenzhen, China, 26–28 October 2019; IEEE: Washington, DC, USA, 2019; pp. 460–465.
55. Bi, S.; Zeng, Y.; Zhang, R. Wireless powered communication networks: An overview. *IEEE Wirel. Commun.* **2016**, *23*, 10–18.
56. Huang, K.; Lau, V.K. Enabling wireless power transfer in cellular networks: Architecture, modeling and deployment. *IEEE Trans. Wirel. Commun.* **2014**, *13*, 902–912.
57. Zeng, Y.; Zhang, R. Full-duplex wireless-powered relay with self-energy recycling. *IEEE Wirel. Commun. Lett.* **2015**, *4*, 201–204.
58. Salam, A. Sensor-Free Underground Soil Sensing. In Proceedings of the 2019 ASA-CSSA-SSSA International Annual Meeting, San Antonio, TX, USA, 10–13 November 2019.
59. Salam, A.; Karabiyik, U. A Cooperative Overlay Approach at the Physical Layer of Cognitive Radio for Digital Agriculture. In Proceedings of the Third International Balkan Conference on Communications and Networking 2019 (BalkanCom'19), Skopje, North Macedonia, 10–12 June 2019.
60. Salam, A. Subsurface MIMO: A Beamforming Design in Internet of Underground Things for Digital Agriculture Applications. *J. Sens. Actuator Netw.* **2019**, *8*, 41, doi:10.3390/jsan8030041.
61. Salam, A. Design of Subsurface Phased Array Antennas for Digital Agriculture Applications. In Proceedings of the 2019 IEEE International Symposium on Phased Array Systems and Technology (IEEE Array 2019), Waltham, MA, USA, 15–18 October 2019.
62. Ju, H.; Zhang, R. User cooperation in wireless powered communication networks. In Proceedings of the 2014 IEEE Global Communications Conference, Austin, TX, USA, 8–12 December 2014; IEEE: Washington, DC, USA, 2014; pp. 1430–1435.
63. Salam, A.; Hoang, A.D.; Meghna, A.; Martin, D.R.; Guzman, G.; Yoon, Y.H.; Carlson, J.; Kramer, J.; Yansi, K.; Kelly, M.; et al. The Future of Emerging IoT Paradigms: Architectures and Technologies. **2019**, doi:10.20944/preprints201912.0276.v1
64. Salam, A.; Vuran, M.C.; Irmak, S. Pulses in the Sand: Impulse Response Analysis of Wireless Underground Channel. In Proceedings of the The 35th Annual IEEE International Conference on Computer Communications (INFOCOM 2016), San Francisco, CA, USA, 10–14 April 2016.
65. Lee, S.; Zhang, R. Cognitive wireless powered network: Spectrum sharing models and throughput maximization. *IEEE Trans. Cogn. Commun. Netw.* **2015**, *1*, 335–346.
66. Xu, J.; Bi, S.; Zhang, R. Multiuser MIMO wireless energy transfer with coexisting opportunistic communication. *IEEE Wirel. Commun. Lett.* **2015**, *4*, 273–276.
67. Hui, S.Y.R.; Zhong, W.; Lee, C.K. A critical review of recent progress in mid-range wireless power transfer. *IEEE Trans. Power Electron.* **2013**, *29*, 4500–4511.
68. Brown, W.C. The history of power transmission by radio waves. *IEEE Trans. Microw. Theory Tech.* **1984**, *32*, 1230–1242.
69. McSpadden, J.O.; Mankins, J.C. Space solar power programs and microwave wireless power transmission technology. *IEEE Microw. Mag.* **2002**, *3*, 46–57.
70. Varshney, L.R. Transporting information and energy simultaneously. In Proceedings of the 2008 IEEE International Symposium on Information Theory, Toronto, ON, Canada, 6–11 July 2008; IEEE: Washington, DC, USA, 2008; pp. 1612–1616.
71. Jameel, F.; Faisal, H.; Haider, M.A.A.; Butt, A.A. A technical review of simultaneous wireless information and power transfer (SWIPT). In Proceedings of the 2017 International Symposium on Recent Advances in Electrical Engineering (RAEE), Islamabad, Pakistan, 24–26 October 2017; pp. 1–6.
72. Huang, J.; Xing, C.C.; Wang, C. Simultaneous wireless information and power transfer: Technologies, applications, and research challenges. *IEEE Commun. Mag.* **2017**, *55*, 26–32.

73. Grover, P.; Sahai, A. Shannon meets Tesla: Wireless information and power transfer. In Proceedings of the 2010 IEEE international symposium on information theory, Austin, TX, USA, 13–18 June 2010; IEEE: Washington, DC, USA, 2010, pp. 2363–2367.
74. Ding, Z.; Zhong, C.; Ng, D.W.K.; Peng, M.; Suraweera, H.A.; Schober, R.; Poor, H.V. Application of smart antenna technologies in simultaneous wireless information and power transfer. *IEEE Commun. Mag.* **2015**, *53*, 86–93.
75. Zhang, R.; Ho, C.K. MIMO broadcasting for simultaneous wireless information and power transfer. *IEEE Trans. Wirel. Commun.* **2013**, *12*, 1989–2001.
76. Fouladgar, A.M.; Simeone, O. On the transfer of information and energy in multi-user systems. *IEEE Commun. Lett.* **2012**, *16*, 1733–1736.
77. Lee, S.; Zhang, R.; Huang, K. Opportunistic wireless energy harvesting in cognitive radio networks. *IEEE Trans. Wirel. Commun.* **2013**, *12*, 4788–4799.
78. Shah, S.; Choi, K.; Hasan, S.; Chung, M. Energy harvesting and information processing in two-way multiplicative relay networks. *Electron. Lett.* **2016**, *52*, 751–753.
79. Zhou, X.; Zhang, R.; Ho, C.K. Wireless information and power transfer: Architecture design and rate-energy tradeoff. *IEEE Trans. Commun.* **2013**, *61*, 4754–4767.
80. Huang, K.; Zhong, C.; Zhu, G. Some new research trends in wirelessly powered communications. *IEEE Wirel. Commun.* **2016**, *23*, 19–27.
81. Guo, S.; Wang, F.; Yang, Y.; Xiao, B. Energy-efficient cooperative for simultaneous wireless information and power transfer in clustered wireless sensor networks. *IEEE Trans. Commun.* **2015**, *63*, 4405–4417.
82. Zhao, N.; Yu, F.R.; Sun, H.; Li, M. Adaptive power allocation schemes for spectrum sharing in interference-alignment-based cognitive radio networks. *IEEE Trans. Veh. Technol.* **2015**, *65*, 3700–3714.
83. Liu, Y.; Mousavifar, S.A.; Deng, Y.; Leung, C.; ElKashlan, M. Wireless energy harvesting in a cognitive relay network. *IEEE Trans. Wirel. Commun.* **2015**, *15*, 2498–2508.
84. Singh, S.; Modem, S.; Prakriya, S. Optimization of cognitive two-way networks with energy harvesting relays. *IEEE Commun. Lett.* **2017**, *21*, 1381–1384.
85. Ashraf, M.; Shahid, A.; Jang, J.W.; Lee, K.G. Optimization of the overall success probability of the energy harvesting cognitive wireless sensor networks. *IEEE Access* **2016**, *5*, 283–294.
86. Chang, Z.; Gong, J.; Ristaniemi, T.; Niu, Z. Energy-efficient resource allocation and user scheduling for collaborative mobile clouds with hybrid receivers. *IEEE Trans. Veh. Technol.* **2016**, *65*, 9834–9846.
87. Xu, D.; Li, Q. Optimization of wireless information and power transfer in multiuser ofdm systems. *AEU-Int. J. Electron. Commun.* **2018**, *90*, 171–174.
88. Xu, D.; Li, Q. Resource allocation in OFDM-based wireless powered communication networks with SWIPT. *AEU-Int. J. Electron. Commun.* **2019**, *101*, 69–75.
89. Xu, K.; Shen, Z.; Wang, Y.; Xia, X. Resource allocation for hybrid TS and PS SWIPT in massive MIMO system. *Phys. Commun.* **2018**, *28*, 201–213.
90. Zhang, J.; Zheng, G.; Krikidis, I.; Zhang, R. Specific Absorption Rate-Aware Beamforming in MISO Downlink SWIPT Systems. *IEEE Trans. Commun.* **2019**, doi:10.1109/TCOMM.2019.2956522.
91. Li, A.; Masouros, C. Energy-efficient SWIPT: From fully digital to hybrid analog–digital beamforming. *IEEE Trans. Veh. Technol.* **2017**, *67*, 3390–3405.
92. Qin, C.; Ni, W.; Tian, H.; Liu, R.P.; Guo, Y.J. Joint beamforming and user selection in multiuser collaborative MIMO SWIPT systems with nonnegligible circuit energy consumption. *IEEE Trans. Veh. Technol.* **2017**, *67*, 3909–3923.
93. Zhang, R.; Yang, L.L.; Hanzo, L. Energy pattern aided simultaneous wireless information and power transfer. *IEEE J. Sel. Areas Commun.* **2015**, *33*, 1492–1504.
94. Salam, A. Internet of Things for Sustainability: Perspectives in Privacy, Cybersecurity, and Future Trends. In *Internet of Things for Sustainable Community Development: Wireless Communications, Sensing, and Systems*; Springer International Publishing: Cham, Switzerland, 2020; pp. 299–327, doi:10.1007/978-3-030-35291-2\_10.
95. World Energy Outlook. 2015. Available online: <https://www.iea.org/reports/world-energy-outlook-2015> (accessed on 22 March 2020).
96. Chen, F.; Taylor, N.; Kringos, N. Electrification of roads: Opportunities and challenges. *Appl. Energy* **2015**, *150*, 109–119.

97. Ahmad, S.; Abdul Mujeebu, M.; Farooqi, M.A. Energy harvesting from pavements and roadways: A comprehensive review of technologies, materials, and challenges. *Int. J. Energy Res.* **2019**, *43*, 1974–2015.
98. Buhaug, H.; Urdal, H. An urbanization bomb? Population growth and social disorder in cities. *Glob. Environ. Chang.* **2013**, *23*, 1–10.
99. Bhatti, N.A.; Alizai, M.H.; Syed, A.A.; Mottola, L. Energy harvesting and wireless transfer in sensor network applications: Concepts and experiences. *ACM Trans. Sens. Netw.* **2016**, *12*, 1–40.
100. Salam, A.; Vuran, M.C. Wireless Underground Channel Diversity Reception with Multiple Antennas for Internet of Underground Things. In Proceedings of the IEEE ICC 2017, Paris, France, 21–25 May 2017.
101. De Queiroz, A.C.M. Electrostatic generators for vibrational energy harvesting. In Proceedings of the 2013 IEEE 4th Latin American Symposium on Circuits and Systems (LASCAS), Cusco, Peru, 27 February–1 March 2013; IEEE: Washington, DC, USA, 2013; pp. 1–4.
102. Chye, W.C.; Dahari, Z.; Sidek, O.; Miskam, M.A. Electromagnetic micro power generator—A comprehensive survey. In Proceedings of the 2010 IEEE Symposium on Industrial Electronics and Applications (ISIEA), Penang, Malaysia, 3–5 October 2010; IEEE: Washington, DC, USA, 2010; pp. 376–382.
103. Sazonov, E.; Li, H.; Curry, D.; Pillay, P. Self-powered sensors for monitoring of highway bridges. *IEEE Sens. J.* **2009**, *9*, 1422–1429.
104. Tolentino, I.; Talampas, M. Design, development, and evaluation of a self-powered GPS tracking system for vehicle security. In Proceedings of the SENSORS, 2012 IEEE, Taipei, Taiwan, 28–31 October 2012; IEEE: Washington, DC, USA, 2012; pp. 1–4.
105. Gholikhani, M.; Nasouri, R.; Tahami, S.A.; Legette, S.; Dessouky, S.; Montoya, A. Harvesting kinetic energy from roadway pavement through an electromagnetic speed bump. *Appl. Energy* **2019**, *250*, 503–511.
106. Kumar, A.; Kiran, R.; Kumar, S.; Chauhan, V.S.; Kumar, R.; Vaish, R. A comparative numerical study on piezoelectric energy harvester for self-powered pacemaker application. *Glob. Chall.* **2018**, *2*, 1700084.
107. Tan, Y.K.; Panda, S.K. Self-autonomous wireless sensor nodes with wind energy harvesting for remote sensing of wind-driven wildfire spread. *IEEE Trans. Instrum. Meas.* **2011**, *60*, 1367–1377.
108. Zhao, C.; Yisrael, S.; Smith, J.R.; Patel, S.N. Powering wireless sensor nodes with ambient temperature changes. In Proceedings of the 2014 ACM International Joint Conference on Pervasive and Ubiquitous Computing, Seattle, WA, USA, 13–17 September 2014; pp. 383–387.
109. Gutiérrez, J.; Villa-Medina, J.F.; Nieto-Garibay, A.; Porta-Gándara, M.Á. Automated irrigation system using a wireless sensor network and GPRS module. *IEEE Trans. Instrum. Meas.* **2013**, *63*, 166–176.
110. Hande, A.; Polk, T.; Walker, W.; Bhatia, D. Indoor solar energy harvesting for sensor network router nodes. *Microprocess. Microsyst.* **2007**, *31*, 420–432.
111. Wang, C.; Li, J.; Yang, Y.; Ye, F. Combining solar energy harvesting with wireless charging for hybrid wireless sensor networks. *IEEE Trans. Mob. Comput.* **2017**, *17*, 560–576.
112. Sharma, V.; Mukherji, U.; Joseph, V.; Gupta, S. Optimal energy management policies for energy harvesting sensor nodes. *IEEE Trans. Wirel. Commun.* **2010**, *9*, 1326–1336.
113. Brunelli, D.; Moser, C.; Thiele, L.; Benini, L. Design of a solar-harvesting circuit for batteryless embedded systems. *IEEE Trans. Circuits Syst. I Regul. Pap.* **2009**, *56*, 2519–2528.
114. Corke, P.; Valencia, P.; Sikka, P.; Wark, T.; Overs, L. Long-duration solar-powered wireless sensor networks. In Proceedings of the 4th Workshop on Embedded Networked Sensors, Cork, Ireland, 25–26 June 2007; pp. 33–37.
115. Yu, H.; Yue, Q. Indoor light energy harvesting system for energy-aware wireless sensor node. *Energy Procedia* **2012**, *16*, 1027–1032.
116. Sudevalayam, S.; Kulkarni, P. Energy harvesting sensor nodes: Survey and implications. *IEEE Commun. Surv. Tutor.* **2010**, *13*, 443–461.
117. Magno, M.; Porcarelli, D.; Benini, L.; Brunelli, D. A power-aware multi harvester power unit with hydrogen fuel cell for embedded systems in outdoor applications. In Proceedings of the 2013 International Green Computing Conference Proceedings, Arlington, VA, USA, 27–29 June 2013; IEEE: Washington, DC, USA, 2013; pp. 1–6.
118. Buchli, B.; Sutton, F.; Beutel, J.; Thiele, L. Towards enabling uninterrupted long-term operation of solar energy harvesting embedded systems. In *European Conference on Wireless Sensor Networks*; Springer: Berlin/Heidelberg, Germany, 2014; pp. 66–83.



119. Noh, D.K. Transmission range determination with a timeslot-based energy distribution scheme for solar-energy harvesting sensor systems. In *Future Information Communication Technology and Applications*; Springer: Berlin/Heidelberg, Germany, 2013; pp. 661–669.
120. Kawashima, K.; Sato, F. A routing protocol based on power generation pattern of sensor node in energy harvesting wireless sensor networks. In Proceedings of the 2013 16th International Conference on Network-Based Information Systems, Gwangju, Korea, 4–6 September 2013; IEEE: Washington, DC, USA, 2013; pp. 470–475.
121. Tadayon, N.; Khoshroo, S.; Askari, E.; Wang, H.; Michel, H. Power management in SMAC-based energy-harvesting wireless sensor networks using queuing analysis. *J. Netw. Comput. Appl.* **2013**, *36*, 1008–1017.
122. Imoto, N.; Yamashita, S.; Yamamoto, K.; Morikura, M. Experiment of power and data transmission scheduling for single wireless LAN sensor. In Proceedings of the 2013 International Symposium on Electromagnetic Theory, Hiroshima, Japan, 20–24 May 2013; IEEE: Washington, DC, USA, 2013; pp. 834–837.
123. El Korbi, I.; Zeadally, S. Energy-aware sensor node relocation in mobile sensor networks. *Ad Hoc Netw.* **2014**, *16*, 247–265.
124. Chilamkurti, N.; Zeadally, S.; Vasilakos, A.; Sharma, V. Cross-layer support for energy efficient routing in wireless sensor networks. *J. Sens.* **2009**, *2009*, 1–9.
125. Ugwuogo, J. On-Demand Energy Harvesting Techniques—a System Level Perspective. Master’s Thesis, University of Waterloo, Waterloo, ON, Canada, 2012.
126. Sidhu, R.K.; Ubhi, J.S.; Aggarwal, A. A Survey Study of Different RF Energy Sources for RF Energy Harvesting. In Proceedings of the 2019 International Conference on Automation, Computational and Technology Management (ICACTM), London, UK, 24–26 April 2019; IEEE: Washington, DC, USA, 2019; pp. 530–533.
127. Baroudi, U. Robot-assisted maintenance of wireless sensor networks using wireless energy transfer. *IEEE Sens. J.* **2017**, *17*, 4661–4671.
128. Salam, A. A Comparison of Path Loss Variations in Soil using Planar and Dipole Antennas. In Proceedings of the 2019 IEEE International Symposium on Antennas and Propagation, Atlanta, GA, USA, 20 July 2019; IEEE: Washington, DC, USA, 2019.
129. Brown, W.C. The History of the Development of the Rectenna. [Solar Power Satellites]. Available online: <https://ntrs.nasa.gov/archive/nasa/casi.ntrs.nasa.gov/19810008041.pdf> (accessed on 22 March 2020).
130. Brown, W.C. The Receiving Antenna and Microwave Power Rectification. *J. Microw. Power* **1970**, *5*, 279–292.
131. Bailey, R.L. A Proposed New Concept for a Solar-Energy Converter. *J. Eng. Gas Turbines Power* **1972**, *94*, 73–77.
132. Shimanuki, Y.; Adachi, S. Theoretical and experimental study on rectenna array for microwave power transmission. *Electron. Commun. Jpn. Part I Commun.* **1985**, *68*, 110–118.
133. Dickinson, R.M. Rectenna Array Measurement Results. [Satellite Power Transmission And Reception]. Available online: <https://ntrs.nasa.gov/archive/nasa/casi.ntrs.nasa.gov/19810008045.pdf> (accessed on 22 March 2020).
134. Nimo, A.; Bechedahl, T.; Ostertag, T.; Reindl, L. Analysis of passive RF-DC power rectification and harvesting wireless RF energy for micro-watt sensors. *AIMS Energy* **2015**, *3*, 184–200.
135. Salam, A. Underground Soil Sensing Using Subsurface Radio Wave Propagation. In Proceedings of the 5th Global Workshop on Proximal Soil Sensing, Columbia, MO, USA, May 2019.
136. Song, C.; Huang, Y.; Zhou, J.; Carter, P. Recent advances in broadband rectennas for wireless power transfer and ambient RF energy harvesting. In Proceedings of the 2017 11th European Conference on Antennas and Propagation (EUCAP), Paris, France, 19–24 March 2017; IEEE: Washington, DC, USA, 2017; pp. 341–345.
137. Baroudi, U. Management of RF Energy Harvesting: A Survey. In Proceedings of the 2019 16th International Multi-Conference on Systems, Signals & Devices (SSD), Istanbul, Turkey, 21–24 March 2019; IEEE: Washington, DC, USA, 2019; pp. 44–49.
138. Kawahara, Y.; Lakafosis, V.; Sawakami, Y.; Nishimoto, H.; Asami, T. Design issues for energy harvesting enabled wireless sensing systems. In Proceedings of the 2009 Asia Pacific Microwave Conference, Singapore, 7–10 December 2009; IEEE: Washington, DC, USA, 2009; pp. 2248–2251.

139. Kawahara, Y.; Tsukada, K.; Asami, T. Feasibility and potential application of power scavenging from environmental RF signals. In Proceedings of the 2009 IEEE Antennas and Propagation Society International Symposium, Charleston, SC, USA, 1–5 June 2009; IEEE: Washington, DC, USA, 2009; pp. 1–4.
140. Vullers, R.; van Schaijk, R.; Doms, I.; Van Hoof, C.; Mertens, R. Micropower energy harvesting. *Solid-State Electron.* **2009**, *53*, 684–693.
141. Mekid, S.; Qureshi, A.; Baroudi, U. Energy harvesting from ambient radio frequency: Is it worth it? *Arab. J. Sci. Eng.* **2017**, *42*, 2673–2683.
142. Ghor, H.E.; Chetto, M.; Chehade, R.H. A real-time scheduling framework for embedded systems with environmental energy harvesting. *Comput. Electr. Eng.* **2011**, *37*, 498–510.
143. Chan, K.Y.; Phoon, H.J.; Ooi, C.P.; Pang, W.L.; Wong, S.K. Power management of a wireless sensor node with solar energy harvesting technology. *Microelectron. Int.* **2012**, *29*, 76–82.
144. Lynggaard, P. A fall-detection system that uses body area network and thermal energy harvesting technologies. In Proceedings of the 2018 11th CMI International Conference: Prospects and Challenges Towards Developing a Digital Economy within the EU, Copenhagen, Denmark, 29–30 November 2018; IEEE: Washington, DC, USA, 2018; pp. 67–73.
145. Chandrakasan, A.P.; Verma, N.; Daly, D.C. Ultralow-power electronics for biomedical applications. *Annu. Rev. Biomed. Eng.* **2008**, *10*, 247–274.
146. Alhawari, M.; Mohammad, B.; Saleh, H.; Ismail, M. A survey of thermal energy harvesting techniques and interface circuitry. In Proceedings of the 2013 IEEE 20th International Conference on Electronics, Circuits, and Systems (ICECS), Abu Dhabi, UAE, 8–11 December 2013; IEEE: Washington, DC, USA 2013; pp. 381–384.
147. Kang, K. Multi-Source Energy Harvesting for Wireless Sensor Nodes. Available online: <http://www.diva-portal.org/smash/get/diva2:556732/FULLTEXT01.pdf> (accessed on 22 March 2020).
148. Salam, A. A Path Loss Model for Through the Soil Wireless Communications in Digital Agriculture. In Proceedings of the 2019 IEEE International Symposium on Antennas and Propagation, Atlanta, GA, USA, 20 July 2019; IEEE: Washington, DC, USA, 2019; pp. 1–2.
149. Martin, P.; Charbiwala, Z.; Srivastava, M. DoubleDip: Leveraging thermoelectric harvesting for low power monitoring of sporadic water use. In Proceedings of the 10th ACM Conference on Embedded Network Sensor Systems, Toronto, ON, Canada, 6–9 November 2012; pp. 225–238.
150. Zhang, C.; Syed, A.; Cho, Y.; Heidemann, J. Steam-powered sensing. In *Proceedings of the 9th ACM Conference on Embedded Networked Sensor Systems*, Seattle, WA, USA, 1–4 November 2011; pp. 204–217.
151. Vullers, R.J.; Van Schaijk, R.; Visser, H.J.; Penders, J.; Van Hoof, C. Energy harvesting for autonomous wireless sensor networks. *IEEE Solid-State Circuits Mag.* **2010**, *2*, 29–38.
152. Gu, X.; Guo, L.; Harouna, M.; Hemour, S.; Wu, K. Accurate Analytical Model for Hybrid Ambient Thermal and RF Energy Harvester. In Proceedings of the 2018 IEEE/MTT-S International Microwave Symposium-IMS, Philadelphia, PA, USA, 10–15 June 2018; IEEE: Washington, DC, USA, 2018; pp. 1122–1125.
153. Weddell, A.S.; Magno, M.; Merrett, G.V.; Brunelli, D.; Al-Hashimi, B.M.; Benini, L. A survey of multi-source energy harvesting systems. In Proceedings of the 2013 Design, Automation & Test in Europe Conference & Exhibition (DATE), Grenoble, France, 18–22 March 2013; IEEE: Washington, DC, USA, 2013; pp. 905–908.
154. Virili, M.; Georgiadis, A.; Collado, A.; Niotaki, K.; Mezzanotte, P.; Roselli, L.; Alimenti, F.; Carvalho, N.B. Performance improvement of rectifiers for WPT exploiting thermal energy harvesting. *Wirel. Power Transf.* **2015**, *2*, 22–31.
155. Yan, J.; Liao, X.; Ji, S.; Zhang, S. A novel multi-source micro power generator for harvesting thermal and optical energy. *IEEE Electron. Dev. Lett.* **2018**, *40*, 349–352.
156. Sandeep, R.; Sai, R.; Baskaradas, J.A.; Chandramouli, R. Design of Nanoantennas for harvesting waste thermal energy from hot automobile exhaust system. In Proceedings of the 2018 IEEE Indian Conference on Antennas and Propagation (InCAP), Hyderabad, India, 16–19 December 2018; IEEE: Washington, DC, USA, 2018; pp. 1–4.
157. Dixit, N.K.; Rangra, K.J. A Survey of Energy Harvesting Technologies. In Proceedings of the 2017 International Conference on Innovations in Control, Communication and Information Systems (ICICCI), Greater Noida, India, 12–13 August 2017; IEEE: Washington, DC, USA, 2017; pp. 1–7.
158. Salam, A. Internet of Things in Agricultural Innovation and Security. In *Internet of Things for Sustainable Community Development: Wireless Communications, Sensing, and Systems*; Springer International Publishing: Cham, Switzerland, 2020; pp. 71–112, doi:10.1007/978-3-030-35291-2\_3.

159. Koomey, J.; Berard, S.; Sanchez, M.; Wong, H. Implications of historical trends in the electrical efficiency of computing. *IEEE Ann. Hist. Comput.* **2010**, *33*, 46–54.
160. Smith, J.R. *Wirelessly Powered Sensor Networks and Computational RFID*; Springer Science & Business Media: Berlin/Heidelberg, Germany, 2013.
161. Hemour, S.; Wu, K. Radio-frequency rectifier for electromagnetic energy harvesting: Development path and future outlook. *Proc. IEEE* **2014**, *102*, 1667–1691.
162. Choi, K.W.; Ginting, L.; Rosyady, P.A.; Aziz, A.A.; Kim, D.I. Wireless-powered sensor networks: How to realize. *IEEE Trans. Wirel. Commun.* **2016**, *16*, 221–234.
163. Rahimi, A.; Zorlu, Ö.; Muhtaroglu, A.; Külah, H. A vibration-based electromagnetic energy harvester system with highly efficient interface electronics. In Proceedings of the 2011 16th International Solid-State Sensors, Actuators and Microsystems Conference, Beijing, China, 5–9 June 2011; IEEE: Washington, DC, USA, 2011; pp. 2650–2653.
164. Lee, B.C.; Rahman, M.A.; Hyun, S.H.; Chung, G.S. Low frequency driven electromagnetic energy harvester for self-powered system. *Smart Mater. Struct.* **2012**, *21*, 125024.
165. Yang, X.; Zhu, G.; Wang, S.; Zhang, R.; Lin, L.; Wu, W.; Wang, Z.L. A self-powered electrochromic device driven by a nanogenerator. *Energy Environ. Sci.* **2012**, *5*, 9462–9466.
166. Podder, P.; Amann, A.; Roy, S. FR4 based bistable electromagnetic vibration energy harvester. *Procedia Eng.* **2014**, *87*, 767–770.
167. Choi, K.W.; Rosyady, P.A.; Ginting, L.; Aziz, A.A.; Setiawan, D.; Kim, D.I. Theory and experiment for wireless-powered sensor networks: How to keep sensors alive. *IEEE Trans. Wirel. Commun.* **2017**, *17*, 430–444.
168. Flynn, B.W.; Fotopoulou, K. Rectifying loose coils: Wireless power transfer in loosely coupled inductive links with lateral and angular misalignment. *IEEE Microw. Mag.* **2013**, *14*, 48–54.
169. Bansal, R. Near-field magnetic communication. *IEEE Antennas Propag. Mag.* **2004**, *46*, 114–115.
170. Kisseleff, S.; Gerstacker, W.; Schober, R.; Sun, Z.; Akyildiz, I.F. Channel capacity of magnetic induction based wireless underground sensor networks under practical constraints. In Proceedings of the 2013 IEEE Wireless Communications and Networking Conference (WCNC), Shanghai, China, 7–10 April 2013; IEEE: Washington, DC, USA, 2013; pp. 2603–2608.
171. Casanova, J.J.; Low, Z.N.; Lin, J. A loosely coupled planar wireless power system for multiple receivers. *IEEE Trans. Ind. Electron.* **2009**, *56*, 3060–3068.
172. Yoon, I.J.; Ling, H. Investigation of near-field wireless power transfer under multiple transmitters. *IEEE Antennas Wirel. Propag. Lett.* **2011**, *10*, 662–665.
173. Shamonina, E.; Kalinin, V.; Ringhofer, K.; Solymar, L. Magneto-inductive waveguide. *Electron. Lett.* **2002**, *38*, 371–373.
174. Kisseleff, S.; Akyildiz, I.F.; Gerstacker, W.H. Throughput of the magnetic induction based wireless underground sensor networks: Key optimization techniques. *IEEE Trans. Commun.* **2014**, *62*, 4426–4439.
175. Nguyen, H.; Agbinya, J.I.; Devlin, J. FPGA-based implementation of multiple modes in near field inductive communication using frequency splitting and MIMO configuration. *IEEE Trans. Circuits Syst. I Regul. Pap.* **2014**, *62*, 302–310.
176. Kisseleff, S.; Akyildiz, I.F.; Gerstacker, W.H. Magnetic induction-based simultaneous wireless information and power transfer for single information and multiple power receivers. *IEEE Trans. Commun.* **2016**, *65*, 1396–1410.
177. Firoozy, P.; Khadem, S.E.; Pourkiaee, S.M. Broadband energy harvesting using nonlinear vibrations of a magnetopiezoelectric cantilever beam. *Int. J. Eng. Sci.* **2017**, *111*, 113–133.
178. Broderick, L.Z.; Albert, B.R.; Pearson, B.S.; Kimerling, L.C.; Michel, J. Design for energy: Modeling of spectrum, temperature and device structure dependences of solar cell energy production. *Sol. Energy Mater. Sol. Cells* **2015**, *136*, 48–63.
179. Yilmaz, S.; Selim, H. A review on the methods for biomass to energy conversion systems design. *Renew. Sustain. Energy Rev.* **2013**, *25*, 420–430.
180. Cheng, M.; Zhu, Y. The state of the art of wind energy conversion systems and technologies: A review. *Energy Convers. Manag.* **2014**, *88*, 332–347.
181. Yildirim, T.; Ghayesh, M.H.; Li, W.; Alici, G. A review on performance enhancement techniques for ambient vibration energy harvesters. *Renew. Sustain. Energy Rev.* **2017**, *71*, 435–449.

182. Daqaq, M.F.; Masana, R.; Erturk, A.; Dane Quinn, D. On the role of nonlinearities in vibratory energy harvesting: A critical review and discussion. *Appl. Mech. Rev.* **2014**, *66*, 040801.
183. Guyomar, D.; Sebald, G.; Kuwano, H. Energy harvester of 1.5 cm<sup>3</sup> giving output power of 2.6 mW with only 1 G acceleration. *J. Intell. Mater. Syst. Struct.* **2011**, *22*, 415–420.
184. Ottman, G.K.; Hofmann, H.F.; Bhatt, A.C.; Lesieutre, G.A. Adaptive piezoelectric energy harvesting circuit for wireless remote power supply. *IEEE Trans. Power Electron.* **2002**, *17*, 669–676.
185. Shu, Y.; Lien, I. Analysis of power output for piezoelectric energy harvesting systems. *Smart Mater. Struct.* **2006**, *15*, 1499.
186. Sodano, H.A.; Inman, D.J.; Park, G. Generation and storage of electricity from power harvesting devices. *J. Intell. Mater. Syst. Struct.* **2005**, *16*, 67–75.
187. Kahrobaee, S.; Vuran, M.C. Vibration energy harvesting for wireless underground sensor networks. In Proceedings of the 2013 IEEE International Conference on Communications (ICC), Budapest, Hungary, 9–13 June 2013; IEEE: Washington, DC, USA, 2013, pp. 1543–1548.
188. Salam, A., Internet of Things for Sustainable Mining. In *Internet of Things for Sustainable Community Development: Wireless Communications, Sensing, and Systems*; Springer International Publishing: Cham, Switzerland, 2020; pp. 243–271, doi:10.1007/978-3-030-35291-2\_8.
189. Shaikh, F.K.; Zeadally, S. Energy harvesting in wireless sensor networks: A comprehensive review. *Renew. Sustain. Energy Rev.* **2016**, *55*, 1041–1054.



© 2020 by the authors. Licensee MDPI, Basel, Switzerland. This article is an open access article distributed under the terms and conditions of the Creative Commons Attribution (CC BY) license (<http://creativecommons.org/licenses/by/4.0/>).