

(19) World Intellectual Property Organization
International Bureau



(43) International Publication Date
7 August 2003 (07.08.2003)

PCT

(10) International Publication Number
WO 03/065586 A2

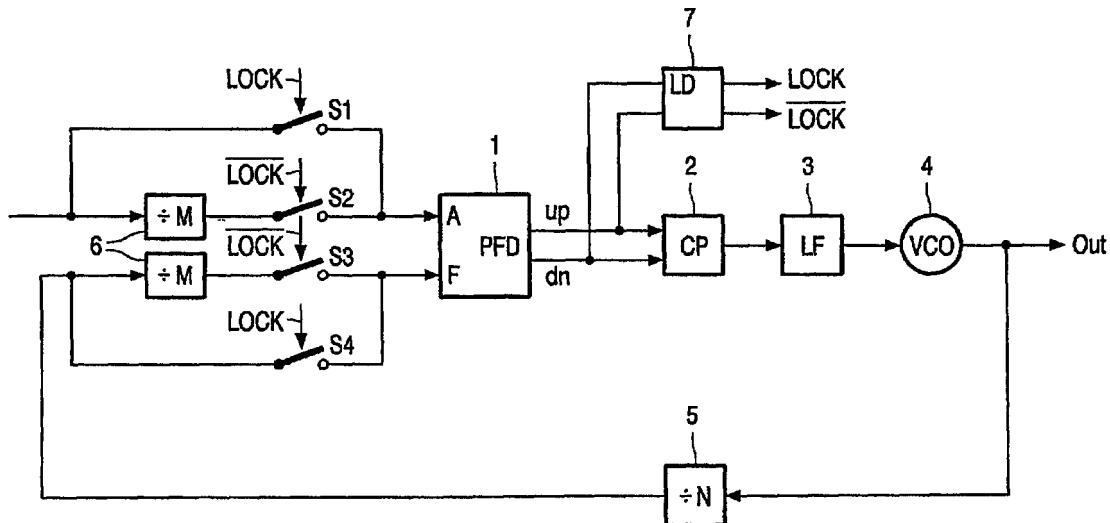
- (51) International Patent Classification⁷: H03L 7/197, 7/095
- (74) Agent: DULJVESTIJN, Adrianus, J.; Internationaal Octrooibureau B.V., Prof. Holstlaan 6, NL-5656 AA Eindhoven (NL).
- (21) International Application Number: PCT/IB03/00130
- (81) Designated States (*national*): AE, AG, AL, AM, AT, AU, AZ, BA, BB, BG, BR, BY, BZ, CA, CH, CN, CO, CR, CU, CZ, DE, DK, DM, DZ, EC, EE, ES, FI, GB, GD, GE, GH, GM, HR, HU, ID, IL, IN, IS, JP, KE, KG, KP, KR, KZ, LC, LK, LR, LS, LT, LU, LV, MA, MD, MG, MK, MN, MW, MX, MZ, NO, NZ, OM, PH, PL, PT, RO, RU, SC, SD, SE, SG, SK, SL, TJ, TM, TN, TR, TT, TZ, UA, UG, US, UZ, VC, VN, YU, ZA, ZM, ZW.
- (22) International Filing Date: 20 January 2003 (20.01.2003)
- (25) Filing Language: English
- (26) Publication Language: English
- (30) Priority Data: 02075424.8 1 February 2002 (01.02.2002) EP
- (84) Designated States (*regional*): ARIPO patent (GH, GM, KE, LS, MW, MZ, SD, SL, SZ, TZ, UG, ZM, ZW), Eurasian patent (AM, AZ, BY, KG, KZ, MD, RU, TJ, TM), European patent (AT, BE, BG, CH, CY, CZ, DE, DK, EE, ES, FI, FR, GB, GR, HU, IE, IT, LU, MC, NL, PT, SE, SI, SK, TR), OAPI patent (BF, BJ, CF, CG, CI, CM, GA, GN, GQ, GW, ML, MR, NE, SN, TD, TG).
- (71) Applicant (*for all designated States except US*): KONINKLIJKE PHILIPS ELECTRONICS N.V. [NL/NL]; Groenewoudseweg 1, NL-5621 BA Eindhoven (NL).

- (72) Inventors; and
- (75) Inventors/Applicants (*for US only*): NAUTA, Bram [NL/NL]; Prof. Holstlaan 6, NL-5656 AA Eindhoven (NL). VAN DE BEEK, Remco, C., H. [NL/NL]; Prof. Holstlaan 6, NL-5656 AA Eindhoven (NL). VAUCHER, Cicero, S. [NL/NL]; Prof. Holstlaan 6, NL-5656 AA Eindhoven (NL).

Published:
— without international search report and to be republished upon receipt of that report

For two-letter codes and other abbreviations, refer to the "Guidance Notes on Codes and Abbreviations" appearing at the beginning of each regular issue of the PCT Gazette.

(54) Title: PHASE-LOCKED-LOOP WITH REDUCED CLOCK JITTER



(57) Abstract: The present invention relates to a phase-locked-loop (PLL) circuit and a method for controlling such a PLL circuit, wherein the frequency of an input reference signal and the frequency of a feedback signal derived from an output oscillation signal are divided by a predetermined rate to thereby reduce the frequency at a phase detection means (1) of the PLL circuit. The dividing step is inhibited in response to a detection of a phase-locked-state of the PLL circuit. Thus, after phase-lock has been achieved, extra reference dividers (6) added to decrease the comparison frequency are removed from the loop to thereby enable increase in the loop bandwidths and decrease in the dividing ratio within the loop.

WO 03/065586 A2