

2015

## Precision measurement of the speed of propagation of neutrinos using the MINOS detectors

I. Anghel

M. C. Goodman

J. Paley

A. V. Devan

*College of William and Mary*

M. Kordosky

*College of William and Mary*

*See next page for additional authors*

Follow this and additional works at: <https://scholarworks.wm.edu/aspubs>

---

### Recommended Citation

Adamson, P., Anghel, I., Ashby, N., Aurisano, A., Barr, G., Bishai, M., ... & Cao, S. V. (2015). Precision measurement of the speed of propagation of neutrinos using the MINOS detectors. *Physical Review D*, 92(5), 052005.

This Article is brought to you for free and open access by the Arts and Sciences at W&M ScholarWorks. It has been accepted for inclusion in Arts & Sciences Articles by an authorized administrator of W&M ScholarWorks. For more information, please contact [scholarworks@wm.edu](mailto:scholarworks@wm.edu).

---

**Authors**

I. Anghel, M. C. Goodman, J. Paley, A. V. Devan, M. Kordosky, J. K. Nelson, A. Radovic, and P. Vahle

## Precision measurement of the speed of propagation of neutrinos using the MINOS detectors

P. Adamson,<sup>7</sup> I. Anghel,<sup>14,1</sup> N. Ashby,<sup>32</sup> A. Aurisano,<sup>6</sup> G. Barr,<sup>20</sup> M. Bishai,<sup>2</sup> A. Blake,<sup>4</sup> G. J. Bock,<sup>7</sup> D. Bogert,<sup>7</sup> R. Bumgarner,<sup>33</sup> S. V. Cao,<sup>28</sup> C. M. Castromonte,<sup>8</sup> S. Childress,<sup>7</sup> J. A. B. Coelho,<sup>29,5</sup> L. Corwin,<sup>13,†</sup> D. Cronin-Hennessy,<sup>17</sup> J. K. de Jong,<sup>20</sup> A. V. Devan,<sup>31</sup> N. E. Devenish,<sup>26</sup> M. V. Diwan,<sup>2</sup> C. O. Escobar,<sup>5</sup> J. J. Evans,<sup>16</sup> E. Falk,<sup>26</sup> G. J. Feldman,<sup>9</sup> B. Fonville,<sup>33</sup> M. V. Frohne,<sup>10,\*</sup> H. R. Gallagher,<sup>29</sup> R. A. Gomes,<sup>8</sup> M. C. Goodman,<sup>1</sup> P. Gouffon,<sup>23</sup> N. Graf,<sup>12</sup> R. Gran,<sup>18</sup> K. Grzelak,<sup>30</sup> A. Habig,<sup>18</sup> S. R. Hahn,<sup>7</sup> J. Hartnell,<sup>26</sup> R. Hatcher,<sup>7</sup> J. Hirschauer,<sup>33</sup> A. Holin,<sup>15</sup> J. Huang,<sup>28</sup> J. Hylen,<sup>7</sup> G. M. Irwin,<sup>25</sup> Z. Ivan,<sup>2,21</sup> C. James,<sup>7</sup> S. R. Jefferts,<sup>32</sup> D. Jensen,<sup>7</sup> T. Kafka,<sup>29</sup> S. M. S. Kasahara,<sup>17</sup> G. Koizumi,<sup>7</sup> M. Kordosky,<sup>31</sup> A. Kreymer,<sup>7</sup> K. Lang,<sup>28</sup> J. Ling,<sup>2</sup> P. J. Litchfield,<sup>17,22</sup> P. Lucas,<sup>7</sup> W. A. Mann,<sup>29</sup> M. L. Marshak,<sup>17</sup> D. Matsakis,<sup>33</sup> N. Mayer,<sup>29,13</sup> A. McKinley,<sup>33</sup> C. McGivern,<sup>21</sup> M. M. Medeiros,<sup>8</sup> R. Mehdiyev,<sup>28</sup> J. R. Meier,<sup>17</sup> M. D. Messier,<sup>13</sup> W. H. Miller,<sup>17</sup> S. R. Mishra,<sup>24</sup> S. Mitchell,<sup>33</sup> S. Moed Sher,<sup>7</sup> C. D. Moore,<sup>7</sup> L. Mualem,<sup>3</sup> J. Musser,<sup>13</sup> D. Naples,<sup>21</sup> J. K. Nelson,<sup>31</sup> H. B. Newman,<sup>3</sup> R. J. Nichol,<sup>15</sup> J. A. Nowak,<sup>17</sup> J. O'Connor,<sup>15</sup> M. Orchanian,<sup>3</sup> R. B. Pahlka,<sup>7</sup> J. Paley,<sup>1</sup> T. E. Parker,<sup>32</sup> R. B. Patterson,<sup>3</sup> G. Pawloski,<sup>17,25</sup> A. Perch,<sup>15</sup> S. Phan-Budd,<sup>1</sup> R. K. Plunkett,<sup>1</sup> N. Poonthottathil,<sup>7</sup> E. Powers,<sup>33</sup> X. Qiu,<sup>25</sup> A. Radovic,<sup>31</sup> B. Rebel,<sup>7</sup> K. Ridl,<sup>18,‡</sup> S. Römisch,<sup>32</sup> C. Rosenfeld,<sup>24</sup> H. A. Rubin,<sup>12</sup> M. C. Sanchez,<sup>14,1</sup> J. Schneps,<sup>29</sup> A. Schreckenberger,<sup>28,17</sup> P. Schreiner,<sup>1</sup> R. Sharma,<sup>7</sup> A. Sousa,<sup>6,9</sup> N. Tagg,<sup>19</sup> R. L. Talaga,<sup>1</sup> J. Thomas,<sup>15</sup> M. A. Thomson,<sup>4</sup> X. Tian,<sup>24</sup> A. Timmons,<sup>16</sup> S. C. Tognini,<sup>8</sup> R. Toner,<sup>9,4</sup> D. Torretta,<sup>7</sup> J. Urheim,<sup>13</sup> P. Vahle,<sup>31</sup> B. Viren,<sup>2</sup> A. Weber,<sup>20,22</sup> R. C. Webb,<sup>27</sup> C. White,<sup>12</sup> L. Whitehead,<sup>11,2</sup> L. H. Whitehead,<sup>15</sup> S. G. Wojcicki,<sup>25</sup> J. Wright,<sup>33</sup> V. Zhang,<sup>32</sup> and R. Zwaska<sup>7</sup>

(MINOS Collaboration, NIST, and USNO)

<sup>1</sup>Argonne National Laboratory, Argonne, Illinois 60439, USA

<sup>2</sup>Brookhaven National Laboratory, Upton, New York 11973, USA

<sup>3</sup>Lauritsen Laboratory, California Institute of Technology, Pasadena, California 91125, USA

<sup>4</sup>Cavendish Laboratory, University of Cambridge, Madingley Road,  
Cambridge CB3 0HE, United Kingdom

<sup>5</sup>Universidade Estadual de Campinas, IFGW-UNICAMP, CP 6165, 13083-970 Campinas,  
São Paulo, Brazil

<sup>6</sup>Department of Physics, University of Cincinnati, Cincinnati, Ohio 45221, USA

<sup>7</sup>Fermi National Accelerator Laboratory, Batavia, Illinois 60510, USA

<sup>8</sup>Instituto de Física, Universidade Federal de Goiás, CP 131, 74001-970 Goiânia, Goiás, Brazil

<sup>9</sup>Department of Physics, Harvard University, Cambridge, Massachusetts 02138, USA

<sup>10</sup>Holy Cross College, Notre Dame, Indiana 46556, USA

<sup>11</sup>Department of Physics, University of Houston, Houston, Texas 77204, USA

<sup>12</sup>Department of Physics, Illinois Institute of Technology, Chicago, Illinois 60616, USA

<sup>13</sup>Indiana University, Bloomington, Indiana 47405, USA

<sup>14</sup>Department of Physics and Astronomy, Iowa State University, Ames, Iowa 50011, USA

<sup>15</sup>Department of Physics and Astronomy, University College London,  
Gower Street, London WC1E 6BT, United Kingdom

<sup>16</sup>School of Physics and Astronomy, University of Manchester,  
Oxford Road, Manchester M13 9PL, United Kingdom

<sup>17</sup>University of Minnesota, Minneapolis, Minnesota 55455, USA

<sup>18</sup>Department of Physics and Astronomy, University of Minnesota Duluth, Duluth, Minnesota 55812, USA

<sup>19</sup>Otterbein College, Westerville, Ohio 43081, USA

<sup>20</sup>Subdepartment of Particle Physics, University of Oxford, Oxford OX1 3RH, United Kingdom

<sup>21</sup>Department of Physics and Astronomy, University of Pittsburgh, Pittsburgh, Pennsylvania 15260, USA

<sup>22</sup>Rutherford Appleton Laboratory, Science and Technologies Facilities Council,  
Didcot OX11 0QX, United Kingdom

<sup>23</sup>Instituto de Física, Universidade de São Paulo, CP 66318, 05315-970 São Paulo, São Paulo, Brazil

<sup>24</sup>Department of Physics and Astronomy, University of South Carolina,  
Columbia, South Carolina 29208, USA

<sup>25</sup>Department of Physics, Stanford University, Stanford, California 94305, USA

<sup>26</sup>Department of Physics and Astronomy, University of Sussex,  
Falmer, Brighton BN1 9QH, United Kingdom

<sup>27</sup>Physics Department, Texas A and M University, College Station, Texas 77843, USA

<sup>28</sup>Department of Physics, University of Texas at Austin, 1 University Station C1600,  
Austin, Texas 78712, USA

<sup>29</sup>Physics Department, Tufts University, Medford, Massachusetts 02155, USA

<sup>30</sup>*Department of Physics, University of Warsaw, Pasteura 5, PL-02-093 Warsaw, Poland*<sup>31</sup>*Department of Physics, College of William and Mary, Williamsburg, Virginia 23187, USA*<sup>32</sup>*NIST, Time and Frequency Division, Boulder, Colorado 80305, USA*<sup>33</sup>*USNO, Washington, DC 20392, USA*

(Received 15 July 2015; published 17 September 2015)

We report a two-detector measurement of the propagation speed of neutrinos over a baseline of 734 km. The measurement was made with the NuMI beam at Fermilab between the near and far MINOS detectors. The fractional difference between the neutrino speed and the speed of light is determined to be  $(v/c - 1) = (1.0 \pm 1.1) \times 10^{-6}$ , consistent with relativistic neutrinos.

DOI: 10.1103/PhysRevD.92.052005

PACS numbers: 14.60.Lm, 06.30.Gv

## I. INTRODUCTION

A cornerstone of the theory of relativity is that there is a single limiting speed, the speed of light in a vacuum  $c$ , which cannot be exceeded. Observations of neutrinos from SN1987A [1–3] and accelerator experiments [4,5] have set limits on the difference between the speed of neutrino propagation and that of light, all consistent with  $v = c$ . In September 2011, the OPERA experiment reported a measurement [6], in striking conflict with both theory and experiment, which has since been revised to resolve the inconsistency [7]. The initial OPERA news motivated a number of further measurements [8–12]. We report here a new precision measurement of the speed of neutrinos using the NuMI muon neutrino beam at the Fermi National Accelerator Laboratory (Fermilab) [13] and the two MINOS detectors [14], using a significantly upgraded time synchronization system and an exposure of  $0.8 \times 10^{20}$  protons on target in March and April of 2012. This measurement has similar precision to the CERN to LNGS measurements referenced above, but with two significant differences, in addition to being made in a different lab with different dominant uncertainties. First, the NuMI beam has a mean neutrino energy of 2.8 GeV, almost an order of magnitude lower than the 17 GeV CNGS beam. Second, the measurement presented here measures the neutrino time of flight using two neutrino detectors, rather than using proton bunches in the accelerator to obtain the start time and neutrinos for the stop time. This neutrino time-of-flight measurement is the most precise ever, although the velocity precision is more limited by distance uncertainties.

The neutrino velocity measurement is conceptually straightforward, consisting of a measurement of the distance between the two detectors and the time it takes for a neutrino to pass between them. We can never observe the same neutrino in both detectors since the process of

detection is destructive. We address this issue by making two separate measurements with respect to the same time reference. Specifically, we first make a measurement of the time of arrival of a bunch of neutrinos in the MINOS near detector (ND) referenced to a time marker derived from the proton beam current near the neutrino production target and then of that bunch's arrival at the MINOS far detector (FD), also with respect to the proton time reference. Subtraction of these two measurements, corrected for various offsets from the detection process, gives the time of flight of the neutrinos over the distance between the two detectors. Care is taken so that when the subtraction of the two times is made, the major part of the uncertainties in the detection cancels, leaving a high precision determination of the time the neutrinos took to travel from the near detector to the far detector.

The measurement uses a system of time transfer between the beam current measurement and each detector with sets of periodically calibrated Global Positioning System (GPS) receivers and atomic clocks. Two-way satellite time transfer (TWSTT) is also used as an independent technique to calibrate the time offsets. The combination of these techniques allowed reliable estimates of the time synchronization errors, yielding a very robust measurement that has the smallest error for the flight time of neutrinos ever achieved.

## II. BEAM AND DETECTORS

The neutrino beam [13] is produced at Fermilab by 120 GeV/ $c$  protons striking a graphite target. The resulting positively charged pions and kaons are focused by pulsed magnetic horns and then allowed to decay in a 675 m long helium-filled volume, producing a  $\nu_\mu$  dominated neutrino beam with a peak in the event energy spectrum at about 3 GeV and a tail at higher energies [15]. The time structure of the beam is illustrated in Fig. 1. During acceleration, the protons are grouped into six batches, each approximately 1.6  $\mu$ s long and separated by about 100 ns. Each batch consists of 81 bunches which are 0.8 ns rms wide (3.5 ns full width at base), spaced at 18.83 ns intervals, resulting from the main injector's 53.103480 MHz synchrotron acceleration.

\*Deceased.

†Present address: South Dakota School of Mines and Technology, Rapid City, South Dakota 57701, USA.

‡Present address: North Dakota State University, Fargo, North Dakota 58108, USA.

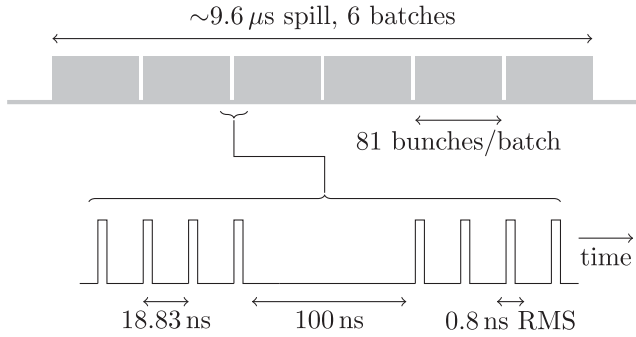


FIG. 1. Schematic of the spill structure showing the six batches (top), the gap between two of the batches (bottom), and the bunch gap and width.

### A. The MINOS detectors

The two MINOS detectors [14] are steel and scintillator tracking calorimeters with toroidal magnetic fields averaging 1.3 T in the steel. Each detector consists of 2.54 cm thick steel plates interleaved with 1 cm thick plastic scintillator planes. The scintillator planes are composed of 4.1 cm wide strips. Scintillation light is read out by multianode photomultiplier tubes (PMTs) via wavelength-shifting fibers. The 0.98 kton ND is located 1.04 km downstream of the production target and 104 m underground. The 5.4 kton FD is approximately 735 km downstream of the target and 705 m underground.

Muon neutrinos are identified in the detectors through their charged-current interactions,  $\nu_\mu + A \rightarrow \mu^- + X$  where  $A$  is the target nucleus (normally Fe) and  $X$  represents the final state which may contain pions, other hadrons, and nuclear fragments. The muon typically leaves a well-defined energy deposit in the detector, crossing tens of scintillator planes that can be reconstructed as a muon track. Due to the high rate of neutrino interactions within the near detector there are differences in the way the times of the individual pulses are recorded in the two detectors. The subsequent reconstruction and selection of the interactions, however, are done in an identical way. The time and position of the neutrino interaction vertex is calculated using the TDC (time-to-digital converter) times of the PMT pulses, combined with the known spatial geometry of the scintillator strips producing the light.

The resolution on the time of the neutrino interaction is 1.5 ns within both detectors. To achieve this, the detectors are calibrated by first applying a “time-walk” time-slew correction for the variation of time with pulse height and then a strip-by-strip offset obtained by minimizing the residual offset in an ensemble of muon tracks. The FD time resolution capabilities and calibration [16] were established to distinguish upward atmospheric neutrino events from downward cosmic rays [17], verified in the CalDet test-beam experiment [18], and the detailed calibration constants were obtained with cosmic ray muon events collected over a number of years. The ND calibration was performed

in a similar way using secondary muons from the beam and was cross-checked with cosmic rays. The time resolution of both detectors is sufficient to resolve the bunch structure shown in Fig. 1 and was cross-checked with portable counters [19]. A study of the broadening of the spill structure by the detector resolution was made at the ND by looking at the reconstructed times of neutrino interactions within the same accelerator spill to resolve the beam time structure.

The MINOS experiment has previously reported a measurement of neutrino speed in Ref. [5]. Since then, the experiment has collected a factor of 8.5 times more data. Additionally, a comprehensive study of the components of the original MINOS timing systems was conducted and several new corrections have been applied to this larger data set. Some of these studies required components of the new timing system, described below, to be operated in parallel with the original system; or by specific tests, comparing measurements between signals in the new and original systems. In particular, it was found that a random offset on the order of 20 ns was introduced each time the original GPS receivers were powered on, which is not unknown in GPS receivers not specifically designed for precise time. An offset of this size was covered by the systematic errors quoted in [5]. The analysis of the full MINOS data sample, using the original MINOS timing system and new corrections, yields a systematic error dominated fractional neutrino speed of  $(v/c - 1) = (0.6 \pm 1.3) \times 10^{-5}$ .

The order-of-magnitude more precise measurement described in this paper uses a new timing apparatus, making it insensitive to the variations of the old system. The rest of this paper describes this new system and a new analysis based only on the data taken after the new system was installed.

### B. Proton beam measurement

The time profile of the proton beam is measured using a resistive wall current monitor (RWCM) [20] situated along the beam pipe, which is between the extraction point from the main injector [21] and the NuMI target. The RWCM consists of a resistive network bridged across an electrically insulating ceramic break in the stainless-steel pipe. As the beam passes, an image current is induced on the surface of the pipe, creating a measurable voltage across the resistive network. The voltage signal from the device is measured for each spill with a waveform digitizer with 1.5 GHz analog bandwidth, which is the limiting bandwidth of the system.

### C. Event timing

The data presented here use timing components shown in Fig. 2. Original local timing systems used to internally synchronize different parts of each detector are retained, as they are integral to the experiment’s data acquisition system. The new timing system is used to time stamp

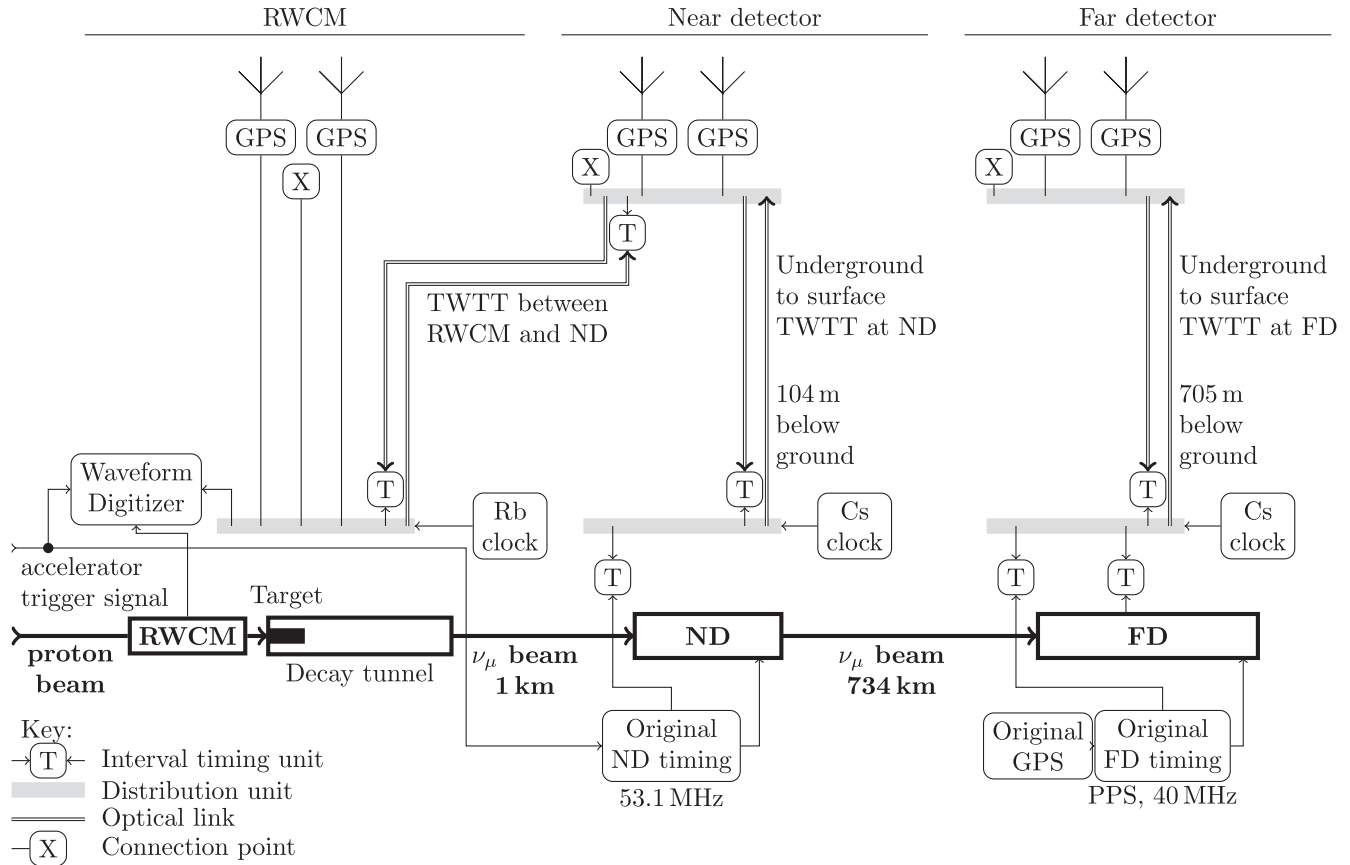


FIG. 2. Simplified layout of the main time synchronization components of the experiment. The beam and detectors are shown across the middle of the diagram, the newly added time measurement apparatus is shown above the beam and original time synchronization (which is still used) is shown underneath the beam. Points marked T show where an interval timer is used permanently and points marked X show a connection point where equipment is connected for short periods during the run [the traveling GPS units and the TWSTT (two-way satellite time transfer) equipment]. Many of the links are synchronized/monitored with both PPS and 10 MHz signals using TWTT (two-way time transfer). Not shown are the portable detectors.

the old system’s timing markers, allowing more precise calculations of neutrino interaction times without disturbing the well-tested and robust means of acquiring the data. The new system’s GPS units and its overall synchronization are significantly upgraded, as shown in the upper part of Fig. 2. Stable atomic reference clocks are installed at each detector location. The manner in which timing synchronization is transferred between the surface and the underground detector locations is also upgraded with optical fibers operating in both directions, transferring both 1 Hz (or pulse per second, PPS) and 10 MHz signals and allowing continuous monitoring of the delays in the links.

A local Cs atomic clock is installed at each detector, and a Rb clock is installed at the RWCM site to establish free running PPS and 10 MHz time references at each site. Distribution amplifiers (high output-to-output isolation and low-jitter signal fan outs) are used to define the reference points and provide multiple ports to make timing measurements. The internal time synchronization of each detector is measured with respect to these timing reference

points using interval timers. A number of these interval timers are installed permanently in the experiment and used for the duration of the time-of-flight experiment as shown in Fig. 2. The offsets between the three atomic clocks at the different sites are continuously measured with the new system of GPS receivers and interval timers.

At the FD, the time synchronization within the detector uses a 40 MHz clock and PPS boundary markers derived from the original FD GPS receiver, which runs independently of the new timing equipment. The PPS are encoded on the 40 MHz clock signals to allow distribution to the 46 read-out boards in the detector over a single network of same-length cables. The times of the scintillator pulses in the detectors are measured using a TDC implemented by multiplying the 40 MHz to give 160 MHz, then using four delayed versions of this clock to generate an effective 640 MHz clock.

The offset between the new local Cs clock and the PPS from the original FD GPS receiver (used for the internal detector time synchronization) is measured and recorded each second with an interval timer. For each neutrino

interaction, for which data acquisition is started using a simple activity trigger, we correct the measured detector time to the new local Cs clock time using the interval timer measurement closest in time to the neutrino event. Variations in the frequency of the 40 MHz FD clock are monitored by measuring the interval between successive PPS signals with the Cs clock which is observed to vary smoothly by typically  $\pm 10$  ns in the short term. As a cross-check of the stability of the timing distribution system, signals were read from one of the read-out boards and compared with the new time reference system using an interval timer.

At the ND, the acquisition of data is started by a trigger signal from the accelerator which arrives about  $20 \mu\text{s}$  before the neutrino beam. The arrival time of this trigger signal within the ND time distribution electronics is measured against the local Cs clock reference point with an interval timer. The ND measures the time of the PMT pulses from neutrino interactions relative to the trigger signal using a local 53.1 MHz clock from a crystal oscillator that is distributed to the read-out boards at the ND. Cross-checks were also made with interval timer measurements between points in the old and new timing systems.

The 53.1 MHz clock was found to have a 100 Hz variation synchronous to the accelerator cycle. However, this clock is only used to measure short time intervals of  $\mathcal{O}(20 \mu\text{s})$ , so the effect is around 40 ps at worst and is thus neglected.

Similarly, at the RWCM, the same  $20 \mu\text{s}$  accelerator signal used to start digitization at the ND is also used to trigger the RWCM digitizer and is measured against the Rb clock with an interval timer. The early accelerator trigger signals at both the ND and the RWCM are derived from the same source, although this is not necessary for the time-of-flight measurement. This is simply a signal which precedes the arrival of the neutrinos by a small amount, used to trigger the detectors, and measured with respect to the local timing reference point by the interval counter.

#### D. Detector time offset

The mechanisms by which the detectors operate cause systematic time delays (latencies) between the neutrino interaction time in the detector and the time when it is recorded. A separate portable detector is used to measure the latency of each MINOS detector. The portable detector consists of a pair of planes, each of active area  $63 \text{ cm} \times 57 \text{ cm}$  constructed from eight plastic-scintillator strips left over from the original MINOS construction plus eight similar 3 cm wide newly constructed strips. The two parallel planes are stacked and oriented so their strips are rotated by  $90^\circ$  from each other. Coincident signals from the two planes are timed with respect to the PPS from the local Cs clock reference point.

The portable detector was first placed immediately behind the ND where some of the muons created in the ND volume by beam neutrinos could pass through it. By matching PMT pulses in time and correcting for longitudinal position, we obtain a relative latency measurement between the portable detector and the ND. This is measured to be  $(36 \pm 4)$  ns. Following this, the portable detector was transported to the FD and by using cosmic ray muons which passed through both the FD and the portable detector, the relative latency between the portable detector and the FD was measured to be  $(12 \pm 4)$  ns. Most of that up to 4 ns unknown latency comes from uncertainties on the propagation time of the signals in the portable detector itself, but the same detector and electronics were used at both the ND and the FD. Thus, when comparing the ND and FD latencies quoted above, the unknown delays in the portable detector itself subtract out, leaving a relative ND-FD latency of  $(24 \pm 1)$  ns. The error assigned covers the jitter on the latency measurements, small drifts observed over time, differences in magnetic fields at the PMTs at the two locations, and the somewhat different energies of the different samples of muons used in the measurement. A second identical portable detector was used together with the first one at the ND for studies to characterize the resolution and stability of the counters and electronics.

#### E. Detector and baseline survey

The straight-line distance between the front faces of the near and far detectors has been determined to 70 cm precision. This section describes how this precision is achieved.

Survey control networks have been established on the surface and underground at the ND and FD sites. Both detectors have been located relative to their respective underground survey control networks to within 0.5 cm. The two surface control networks are connected via high precision GPS measurements to an overall accuracy of about 1 cm. The tie between the surface network and the ND underground control network is straightforward and has been accomplished utilizing standard optical survey methods with millimeter accuracy. These measurements are described in Refs. [14,22,23].

For the FD however, there is no direct plumb line down the sloped shaft and issues with atmospheric stratification prohibit optical surveys. Therefore, a Honeywell inertial navigation system (INS) containing three gyroscopes and three accelerometers was utilized to connect the surface and underground control networks. The INS was mounted in the elevator cage and traveled multiple times up and down the mine shaft, stopping each time at four approximately equal distance positions to reset accumulated velocity errors in the INS. Limiting factors of the accuracy include the relatively high vibration rate of the elevator cage; the fact that the cage stops at slightly different places each time;

and residual oscillations as the cage came to a stop. The INS measurement is detailed in Ref. [24].

Observations from the gyroscopes and accelerometers of the INS were used to connect the FD's underground coordinates to the surface and establish the detector's NAD83 [25] coordinates. NAD83 is the horizontal control datum for North America, and the GRS80 [26] reference ellipsoid was used in these conversions. The position coordinates of the centers of the front faces of each detector were both converted to these geocentric coordinates in order to compute the Euclidean distance between the two detectors. Two independent coordinate transforms were done, agreeing with each other to 0.2 ns. The resulting longitudinal uncertainty from the front face of the ND to the front face of the FD of 70 cm is dominated by the limited INS repeatability measurements in the mine shaft.

The resulting time-of-flight uncertainty caused by the positional uncertainties in this distance is dominated by the INS error and totals 2.3 ns: this is the dominant systematic error in the final neutrino speed calculation. If we instead take the speed of highly relativistic neutrinos to be given as  $c$ , we can turn this measurement around to make a neutrino-based survey of the location of the FD. This interpretation of the time-of-flight data presented in the conclusion of this paper below (Sec. IV) suggests that the FD is  $(0.72 \pm 0.03(\text{stat}) \pm 0.39(\text{syst}))$  m closer to Fermilab than the inertial survey indicates.

### III. TIME SYNCHRONIZATION

The time synchronization between sites was implemented using several independent techniques (GPS, two-way fiber based, and two-way satellite based) and also two different processing methods (code-based common view and carrier-phase-based common view for GPS data) [27]. This redundancy ensured robustness and allowed for assessment of systematics. The timing systems used in the experiment are shown schematically in Fig. 2. Two GPS receivers were deployed at each of the three locations (RWCM, ND, and FD) and a two-way time transfer (TWTT) system using fiber links was installed between the RWCM and the ND. A TWSTT synchronization was also performed over a 36 hour period during the data taking period using a dedicated satellite link between the ND and the FD. The ND and FD atomic-clock time references are underground and were transferred to secondary references on the surface using TWTT fiber links. The three fiber links in the experiment are similar and transfer both PPS and 10 MHz signals on independent sets of fibers. All the timing instruments (distribution amplifiers, optical link transmitters and receivers, interval timers) were commercial units specifically intended for transferring or measuring time accurately. Cables were high quality RG/316-DS using subminiature version A (SMA) or BNC connectors, and obtained specifically for this measurement.

#### A. Fiber links

The TWTT technique is used in the three fiber links shown in Fig. 2 by employing a second fiber in the same bundle, so the fiber is therefore susceptible to the same environmental changes. The timing signal is sent out from the reference point at the first location to the second location, where it is used to establish a second reference point. It is then sent back on the second fiber to the first location. At the first location, the delay between the arriving signal and the first reference point is continuously recorded using an interval timer and is used to correct the data.

The largest variability in the round-trip time is in the FD surface-underground link, which shows a thermal day/night effect of 200 ps round-trip and a similar overall variability during the run. This is corrected to better than 50 ps by continuous monitoring of the round-trip time of the PPS along this link. The differences in delays of the communication fibers, transmitters, and receivers are determined by swapping modules.

A portable Cs clock was used to verify the calibration of the surface to underground links by measuring the offset between portable and reference clocks, first on the surface, then underground, then on the surface again and correcting for the relative clock drift. The measurements show an average discrepancy of 400 ps at the ND. At the FD, the internal delays in the optical receivers were not measured directly, but corrected using the average of a series of three portable clock measurements made on different days, and the  $\pm 550$  ps maximum deviations of the three measurements are applied as the systematic uncertainty of this correction.

#### B. Global Positioning System

The GPS timing infrastructure consists of eight similar dual-frequency GPS receivers: six identical receivers (Novatel OEMV) and two newer versions from the same manufacturer (Novatel OEM6). All receivers use antennas from Novatel with Andrew FSJ1-50A antenna cables with small ( $-0.028$  to  $+0.036$  ps/m/ $^{\circ}$ C) temperature coefficients. The antenna cables were annealed for temperature stability of the propagation delay before installation. The group delays of the antenna cables were measured at both the L1 (1575.42 MHz) and L2 (1227.60 MHz) GPS signal frequencies prior to installation and confirmed using time-domain reflectometry. The measured cable delays are used to calculate the time difference between the two locations.

Two receivers are located at each of the three sites. The antennas are located so as to minimize "multipath" errors from reflected GPS satellite signals arriving at slightly later times. The two remaining receivers were transported (with their antenna and antenna cable) between the three MINOS sites and the National Institute of Standards (NIST) in Boulder, Colorado, to provide multiple differential calibrations of the fixed GPS systems. The two mobile receivers



were used at all the sites in different orders. They were moved at approximately weekly intervals, spending about three active days at each site. When two colocated GPS receivers are calibrated, the difference between the local time as measured by each receiver is corrected for the internal delays of the two receivers. The GPS timing infrastructure is described in [28,29].

At each location, the timing reference signal from the atomic clock is input into the GPS receivers. Each receiver makes measurements of the time offsets between the timing reference signal and the time obtained from the GPS satellites which are visible. The GPS data were processed in common-view (CV) mode using GPS L1C/A code-based data to compute the calibrated differences between the atomic clocks at the various locations [28]. The processing of carrier-phase-based data was done via PPP (precise point positioning) algorithms that also provide an accurate position of each GPS antenna through the corrections computed by the International GNSS Service (IGS). The GPS data reductions were done by the authors at the NIST using Natural Resources Canada's CSRS-PPP online service [30] and confirmed by the authors at the U.S. Naval Observatory (USNO) using both NRCAN and the JPL automated data reduction service, which has independent software (GIPSY/OASIS [31]). These reductions provide a large standard set of corrections including relativistic effects and the "IGS final" corrections for the orbit and atomic-clock time of the satellite.

The CV code-based processing of the difference between two colocated receivers gives an estimate of the hardware stability (GPS receiver, antenna, and cable). The time differences over the time-of-flight measurement period showed better than 200 ps ( $1\sigma$ ) stability at the RWCM and the ND. The GPS receivers and other timing equipment at the FD are in an environmental chamber that holds the temperature to  $\pm 1$  K. This results in a time stability of better than 90 ps, estimated using the rms and the total time deviation [28].

### C. Synchronization between sites

An estimate of the stability and accuracy for the actual synchronization between sites is obtained by differencing data from independent time transfer links between each pair of sites, and where possible between independent units at the same site. Effectively this is calculating a double difference, since each link is already a difference between the pair of clocks at each location. Each technique and each deployed system can have a bias due to a variety of causes, such as multipath reflected signals, temperature, humidity, and mismodeling of the atmosphere, satellite orbit, or ionosphere. These errors can occur during the initial link calibration, and can also vary over time. Double differences wherein the two links are based on different techniques (i.e. GPS CV and TWSTT or GPS CV and fiber-based TWTT)

are particularly useful in constraining the biases, since they are expected to be independent.

A dedicated two-way satellite link was used by USNO personnel to measure the time difference between ND and FD references using TWSTT. This involves exchanging signals between locations on a bidirectional satellite link, so that environmental and atmospheric effects are almost the same in each direction. The time difference calculated by double differencing the time transfer between the ND and the FD with one GPS-based link and with the TWSTT link shows stability better than 800 ps and a mean difference (accuracy) of  $-480$  ps. A secondary TWSTT mode was also employed using the USNO's facility in Washington, District of Columbia, as a transfer point, and measuring the FD-ND by the double difference between USNO-ND and USNO-FD. No truly relativistic corrections are required in the TWSTT analysis apart from the formalism to correct for the rotation of Earth (the Sagnac correction) [32]. Figure 3 shows the comparison between these time transfer techniques.

The same double difference computed between one GPS-based link and the TWSTT link can be performed between two GPS-based links, one using a pair of GPS receivers (one at each end of the link) and the other using the other pair. The comparison of the two GPS receivers at each location also allows the detection of eventual discrepancies between them. Since the calibration method simultaneously sets all GPS links between the two sites, the GPS-only double differences constrain the calibration variation between calibrations. On the ND to FD link, the stability over the entire neutrino data collection period is better than 200 ps ( $1\sigma$ ). The mean difference of 205 ps

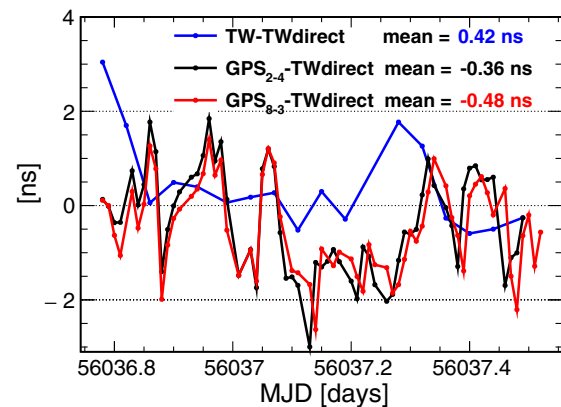


FIG. 3 (color online). Comparison between TWSTT and the GPS system between the ND and the FD, during the USNO TWSTT test (April 18 and 19, 2012), expressed as modified Julian dates (MJD) in the figure. In the legend, TWdirect refers to calibrated TWSTT between antennas at the ND and the FD, while TW refers to the double difference obtained from subtracting observations of ND-USNO from FD-USNO. The subscripts below GPS identify the individual GPS receivers used. The mean differences used in the analysis are shown.

suggests a systematic uncertainty of 150 ps (half the error attributed to each link). We apply an overall systematic error of 500 ps due to the uncertainty in the overall FD-ND synchronization during the neutrino data collection period.

By using the two traveling GPS units it is possible to perform repeated calibrations of the stationary receivers at the various locations. Use of more than one calibration and the presence of a second receiver at each location allows the determination of possible time steps in any of the receiver's internal time base. As an example, the double difference between the ND and the FD, when calculated using the result of the same calibration over approximately eight months, showed a step of 2 ns. When the values of subsequent calibrations were considered, it became clear that the internal time base of one of the stationary receivers at the ND had a step of about the same magnitude. Two different calibration values were thus used for this receiver to remove the step from the double difference, eliminating it from the error analysis for the synchronization.

#### IV. DATA ANALYSIS

We select two categories of events whose selection criteria are described in Ref. [33]: contained  $\nu_\mu$  charged-current (CC) events, which originate in the fiducial region of each detector, and, for the FD only, partially reconstructed events. Partially reconstructed events are either  $\nu_\mu$  CC neutrino interactions in the rock surrounding the FD producing an entering muon, or events where the neutrino interaction point occurred outside the detectors' fiducial region. Partially reconstructed events usually arrive later than contained events, as the neutrino produces a muon at an angle, resulting in a trigonometric increase to the muon path length (the muons are highly relativistic and their slightly slower-than-light speed does not contribute significantly to the later arrival). Both samples are subject to a further track-fit quality cut to ensure that we only use events with a well-measured interaction time. During March and April 2012, an exposure of  $0.8 \times 10^{20}$  protons on target was collected, yielding 195 fully contained and 177 partially reconstructed events which are selected at the FD.

The data analysis proceeds by using the measured time distribution of the protons in the RWCM to form a likelihood distribution for the time of flight of each neutrino event to each detector. A likelihood distribution is required because, for a given neutrino, we do not know which part of the accelerator spill (as shown in Fig. 1) is responsible for producing the observed neutrino. The RWCM timing waveform is convolved with a 1.5 ns (rms) wide Gaussian distribution representing the detector timing resolution and shifted by the predicted time of flight to form a probability distribution function for the contained events. For partially reconstructed events, the probability density function is further convolved with a delay distribution to take account of the increased muon path length calculated using Monte Carlo simulations.

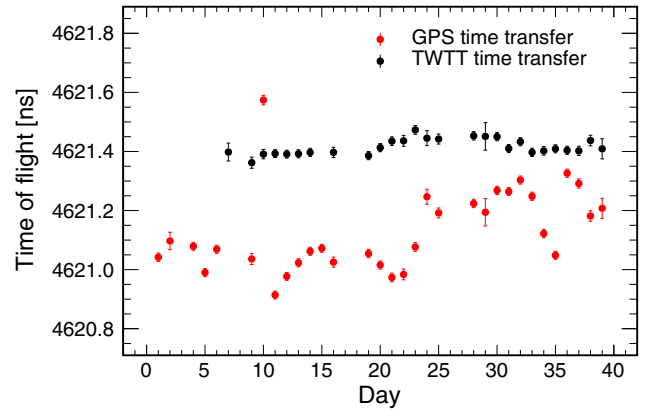


FIG. 4 (color online). Daily variation in time of flight between the RWCM and the ND. The GPS (red points) and TWTT (black points) techniques were used for transferring the time between the two sites. The difference between these two techniques is confirmation of the stability of the time synchronization.

We multiply the event likelihoods of all the observed events together to obtain an overall probability as a function of the time-of-flight parameter. The time of flight which gives the maximum combined probability is then our measurement of the overall neutrino flight time from the RWCM to the detector. This procedure is followed at each of the two detectors.

To obtain the final result for the ND to FD time of flight, the two times obtained are subtracted, eliminating any systematic offset associated with the beam measurement and the portable detector measurement. Having two neutrino detectors, near and far, is unique to this measurement, as other neutrino time-of-flight analyses must rely on beam measurements.

At the ND, the neutrino interaction rate is sufficient to measure the time of flight for each day with statistical error

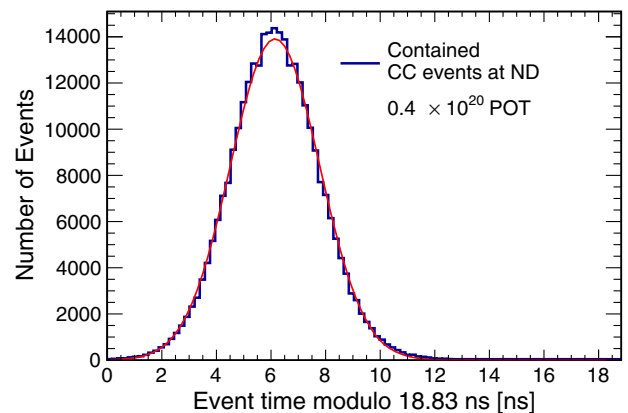


FIG. 5 (color online). Arrival time distribution at the near detector modulo the 18.83 ns bunch separation (blue histogram), which is well fit by a Gaussian with a 1.6 ns sigma (red line). The high neutrino statistics available at the ND establish the shape and timing of the neutrino bunch structure.

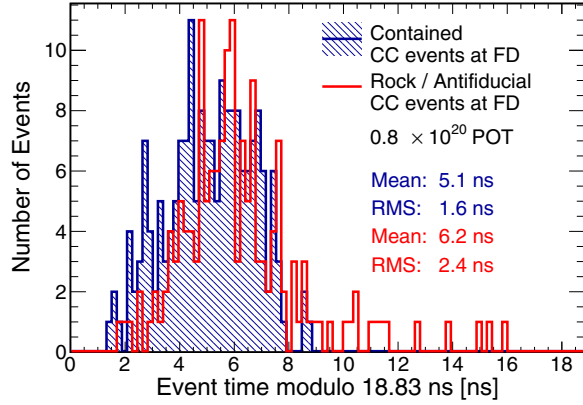


FIG. 6 (color online). Arrival time distribution at the far detector modulo the 18.83 ns bunch separation for contained (blue hatched histogram) and partially contained (red line) events. The appearance of the bunch shape in the FD demonstrates that the timing system is functioning as expected.

below 50 ps, permitting a test of the long-term stability of both the GPS and the TWTT timing systems using neutrinos directly, over the short baseline between the RWCM and the ND. The results from both these methods are shown in Fig. 4. The surveyed distance between the RWCM and the ND is combined with the absolute latency of the ND measured with the portable detector to create an expected time of flight of  $4622.7 \pm 4.0$  ns, where the uncertainty comes from the absolute latency of the portable detector and the RWCM-ND synchronization. Also included is a small effect of  $\mathcal{O}(500$  ps) from the protons and pions traveling slightly below the speed of light and away from the beam axis.

Figure 4 shows that the daily measurements from both methods are contained within a 1 ns range consistent with this expectation. Note that the precision of this test is not as good as on the final time-of-flight result which benefits from the cancellation of uncertainty in the subtraction technique. Figure 4 shows that the time-of-flight measurements are stable to about 200 ps when using the GPS for time transfer and to better than 50 ps when using the TWTT for time transfer. As the GPS time was common to both detectors and cross-checked by the USNO TWSTT measurement, the mean GPS-based value of 4621.1 ns is used later in calculating the final time of flight, with the difference being covered by the systematic error described in Sec. III C.

Figure 5 shows the neutrino arrival time distribution at the ND after the end of the preceding 18.83 ns long bunch, and Fig. 6 the same at the FD. The high neutrino statistics available at the ND illustrate that the neutrino production in

TABLE I. Dominant systematic uncertainties ( $\pm 1\sigma$ ).

Systematic uncertainty	Value
Inertial survey of the FD location	2.3 ns
Relative ND-FD latency	1.0 ns
FD TWTT between surface and underground	0.6 ns
GPS time transfer accuracy	0.5 ns

a bunch is well fit by a Gaussian with a 1.6 ns sigma: this width is driven by the per-event 1.5 ns detector time resolution rather than the bunch width itself. The contained event sample at the FD is consistent with that distribution, confirming the resolution and stability of the time measurement system. The partially reconstructed events at the FD are also shown in Fig. 6 and are seen to arrive later and with a bigger spread as expected.

Combining the contained and partially reconstructed samples, the time of flight between the RWCM and the FD is found to be  $(2453935.0 \pm 0.1)$  ns, considering only statistical errors. Subtracting the measured time of flight (using GPS) between the RWCM and the ND of 4621.1 ns we obtain the time of flight between the ND and the FD as  $(2449313.9 \pm 0.1)$  ns (statistical error only): the most precise measurement of the neutrino time of flight ever achieved, and the only one obtained directly using two neutrino detectors. The time required to traverse the distance between the front face of the near and far detectors at the speed of light, including the Sagnac correction, is  $(2449316.3 \pm 2.3)$  ns, where the dominant uncertainty comes from the inertial survey of the FD location. Combining these, together with the other sources of systematic error listed in Table I, yields a value for the difference in arrival time of the neutrino and the speed of light prediction of  $\delta = (2.4 \pm 0.1(\text{stat}) \pm 2.6(\text{syst}))$  ns. The fractional neutrino speed is therefore found to be  $(v/c - 1) = (1.0 \pm 1.1) \times 10^{-6}$ , consistent to  $1\sigma$  with relativistic neutrinos.

## ACKNOWLEDGMENTS

This work was supported by the U.S. DOE; the United Kingdom STFC; the U.S. NSF; the State and University of Minnesota; Brazil's FAPESP, CNPq, and CAPES. We are grateful to the Minnesota Department of Natural Resources and the personnel of the Soudan Laboratory, Fermilab, and USNO. We thank the Texas Advanced Computing Center at The University of Texas at Austin for the provision of computing resources. Fermilab is operated by the Fermi Research Alliance, LLC under Contract No. De-AC02-07CH11359 with the U.S. Department of Energy.

- [1] K. Hirata *et al.* (KAMIOKANDE-II Collaboration), *Phys. Rev. Lett.* **58**, 1490 (1987).
- [2] R. Bionta *et al.* (IMB Collaboration), *Phys. Rev. Lett.* **58**, 1494 (1987).
- [3] E. Alekseev *et al.* (Baksan Collaboration), *Pis'ma Zh. Eksp. Teor. Fiz.* **45**, 461 (1987) [*JETP Lett.* **45**, 589 (1987)].
- [4] G. R. Kalbfleisch, N. Baggett, E. C. Fowler, and J. Alspector, *Phys. Rev. Lett.* **43**, 1361 (1979).
- [5] P. Adamson *et al.* (MINOS Collaboration), *Phys. Rev. D* **76**, 072005 (2007).
- [6] T. Adam *et al.* (OPERA Collaboration), arXiv:1109.4897v2.
- [7] T. Adam *et al.* (OPERA Collaboration), *J. High Energy Phys.* **10** (2012) 093.
- [8] M. Antonello *et al.* (ICARUS Collaboration), *Phys. Lett. B* **713**, 17 (2012).
- [9] N. Y. Agafonova *et al.* (LVD Collaboration), *Phys. Rev. Lett.* **109**, 070801 (2012).
- [10] M. Antonello *et al.* (ICARUS Collaboration), *J. High Energy Phys.* **11** (2012) 049.
- [11] T. Adam *et al.* (OPERA Collaboration), *J. High Energy Phys.* **01** (2013) 153.
- [12] P. Alvarez Sanchez *et al.* (Borexino Collaboration), *Phys. Lett. B* **716**, 401 (2012).
- [13] P. Adamson *et al.*, arXiv:1507.06690.
- [14] D. G. Michael *et al.* (MINOS Collaboration), *Nucl. Instrum. Methods Phys. Res., Sect. A* **596**, 190 (2008).
- [15] P. Adamson *et al.* (MINOS Collaboration), *Phys. Rev. Lett.* **110**, 251801 (2013).
- [16] A. Blake, Ph.D. thesis, University of Cambridge, 2005.
- [17] P. Adamson *et al.* (MINOS Collaboration), *Phys. Rev. D* **75**, 092003 (2007).
- [18] A. Cabrera *et al.* (MINOS Collaboration), *Nucl. Instrum. Methods Phys. Res., Sect. A* **609**, 106 (2009).
- [19] S. Cao, Ph.D. thesis, University of Texas at Austin, 2014.
- [20] J. Crisp and B. Fellenz, *J. Instrum.* **6**, T11001 (2011).
- [21] K. Seiya *et al.*, in *Proceedings of the 23rd Particle Accelerator Conference (PAC09)*, Vancouver, BC, Canada, 2009, edited by M. Comyn, S. Koscielniak, V. R. W. Schaa, and P. W. Schmor (TRIUMF, Vancouver, Canada, 2010), p. 1424.
- [22] V. Bocean, *Proceedings of 6th International Workshop on Accelerator Alignment (IWAA 99)*, Grenoble, France, eConf C9910183, 025 (1999).
- [23] T. Soler, R. H. Foote, D. Hoyle, and V. Bocean, *Geophys. Res. Lett.* **27**, 3921 (2000).
- [24] J. Skaloud and K. Schwarz, *Z. Vermess* **125**, 292 (2000).
- [25] M. Craymer, R. Ferland, and R. Snay, in *Towards an Integrated Global Geodetic Observing System (IGGOS)* (Springer, New York, 2000), p. 118.
- [26] H. Mortiz, *Bull. Géodésique* **54**, 395 (1980).
- [27] D. W. Allan and M. A. Weiss, in *Proceedings of the 34th Annual Frequency Control Symposium*, Fort Monmouth, NJ, 1980 (IEEE, New York, 1980).
- [28] S. Römisch *et al.*, in *Proceedings of the 44th Annual Precise Time and Time Interval (PTTI)*, Reston, VA, 2012 (Institute of Navigation, Manassas, VA, 2013), p. 99.
- [29] P. Adamson *et al.*, in *Proceedings of the 44th Annual Precise Time and Time Interval (PTTI)*, Reston, VA, 2012 (Institute of Navigation, Manassas, VA, 2013), p. 119.
- [30] P. Têtreault, J. Kouba, P. Hèroux, and P. Legree, *Geomatica* **59**, 17 (2005).
- [31] F. Webb and J. Zumberge, Jet Propulsion Laboratory, California Institute of Technology Report No. JPL D-11088, 1995.
- [32] L. D. Landau and E. M. Lifshitz, in *Classical Theory of Fields* (Pergamon Press, New York, 1962), p. 296.
- [33] P. Adamson *et al.* (MINOS Collaboration), *Phys. Rev. Lett.* **106**, 181801 (2011).