

Pretreatment techniques used in biogas production from grass

Cristina Rodriguez ^a, Abed Alaswad ^{a,*}, K. Y. Benyounis ^b, Abdul G. Olabi ^a

^a School of Engineering and Computing, Institute of Engineering and Energy Technologies, University of the West of Scotland, Paisley, PA1 2BE, United Kingdom.

^b School of Mechanical and Manufacturing Engineering, Dublin City University, Dublin, Ireland.

* Corresponding author. Tel.: +44 141 848 3977

E-mail addresses: cristina.rodriquez@uws.ac.uk (C. Rodriguez), abed.alaswad@uws.ac.uk (A. Alaswad), timothy.prescott@uws.ac.uk (T. Prescott), abdul.olabi@uws.ac.uk (A. G. Olabi)

Abstract

Grass is being considered as a potential feedstock for biogas production, due to its low water consumption compared to other crops, and the fact that it can be cultivated in non-arable lands, avoiding the direct competition with food crops. However, biogas production is limited by the characteristics of the feedstock; in particular its complex lignocellulosic structure. Hence, different pretreatment methods are being investigated for grass structure disruption before undergoing the anaerobic digestion process. The aim of this paper is to review current knowledge on pretreatment techniques used for grassland biomass. Pretreatment techniques were categorized into mechanical, microwave, thermal, chemical and biological groups. The effect of the application of each studied methods on the biogas yield and on the energy balance is discussed. A further comparison between the covered techniques was revealed.

Keywords: biogas; grass; pretreatment; anaerobic digestion; renewable energy.

1. Introduction

Grasslands play an important role in global agriculture, covering around the 26% of world's total land area (2009) and the 78% of the Scotland's agricultural area (2013). Grasses are the main plant species in verges along roads, railways and on river dikes, for that reason the hectares of grassland available are difficult to quantify. Besides its role as basic nutrient for herbivores and ruminants, grassland has a key role in the prevention of erosion, the immobilisation of leaching minerals and as carbon storage, helps in the regularization of water regimes and in the purification of pesticides and fertilizers. Also serve to furnish a habitat for wildlife, both flora and fauna and contribute to the attractiveness of the landscape [1–4].

In recent years considerations on grassland use for bioenergy have increased considerably, mainly for biogas production and as solid fuel for combustion [5]. As well as for biogas production, grasses can be used in future for the production of lignocellulosic bioethanol, synthetic natural gas or synthetic biofuels. The main benefits of using grass for bioenergy production are its lower water consumption for growth than other crops and the fact that it can be cultivated in non-arable lands, without competing with food crops [6–8].

Over the past thirty years in Scotland, the grass over five years old increased in more than 48% due to the abandonment of farmland and grazing produced in turn by the decrease in animal husbandry; the same process is occurring in most developed countries. For that reason, grass should be considered as biomass feedstock for bioenergy production, and in particular for biogas production. At present there is no anaerobic digestion plant in Scotland using grass as feedstock, very different is the situation in Northern Ireland where all the nine existing AD plants use grass for co-digestion alongside with other substrates, usually animal manures. In Germany, already 30–40% of the biogas plants operate with grass or grass silage as co-substrate, with an average of 8% by weight of grass silage in the total substrate, reaching in some cases 50% [9,10]. A useful tool in cases of biomass utilization plants and biomass to biofuel projects is the quantification of biomass potential; Christoforou et al. (2015) document the existing plant-derived biomass potential quantification methods and deliver a framework for the definition of biomass resources [11].

In crop production, energy is required for tillage, crop seedlings, fertilising, herbicides application, harvest and transport. Furthermore, considerable energy is required for the production of herbicides, fertilisers and pesticides. On average, fertiliser production represents about 50% of total energy requirement, the 22% are required for machinery, about 15% for transport fuel and 13% for pesticides [12]. Due to the fact that grass is not cultivated but it grows naturally, the higher energy demanding processes (fertilizer and pesticide production and application) are not necessary, therefore the energy balance is presumed more advantageous although biogas yields are not as high as in other crop species.

2. Biogas production from grass

Anaerobic digestion is a microbial fermentation in the absence of oxygen resulting in a mixture of gases (mainly methane and carbon dioxide), known as "biogas" and an aqueous slurry or "mud" containing the microorganisms responsible for the degradation of organic matter [13]. The raw material subjected to this treatment is preferably any residual biomass that has high moisture content, such as food scraps, leftover leaves and herbs from garden or orchard cleaning, livestock waste,

domestic and industrial wastewater, sludge from water treatment plants and urban waste. The main product of anaerobic digestion, the biogas, is a mixture of methane (50-70%) and carbon dioxide (30-50%), with small proportions of other components (nitrogen, oxygen, hydrogen, hydrogen sulphide), whose composition depends on the raw material and the process parameters such as HRT or temperature [5,14–16]. Considering methane has a higher heating value (HHV) of ca. 37.8MJ/m³ and carbon dioxide has no energy associated with it, biogas has an energy content of between 19 and 26MJ/m³ and it can replace natural gas in combined heat and power plants (CHPP) undergoing previously a purification process to reduce the CO₂ content and eliminate contaminants as sulphides [17–20]. At the end of the anaerobic digestion, the nutrients remain largely contained in the digestate, thus, a nutrient-rich digester residue remains and it can be used as fertilizer. Legal requirements such as laws governing fertilizer, hygiene and solid waste must always be observed in the further use of the digestate as fertilizer.

The grass composition, the harvesting time, the chopping size and the use of ensiling agents are important factors that influence the feedstock quality [10]. The results of fermentation tests indicate that the optimal cutting time of grass for anaerobic digestion should be around three or four days after that the grass used for dairy cattle feeding [21]. The percentage of cell wall components (cellulose, hemicellulose and lignin) increases with increasing maturity of the grass, whereas the percentage of cell contents (protein, lipid, sugars) decreases (Figure 1) [22]. To achieve high methane yields, crop substrates need a low lignin content as well as a high content of easily degradable components such as carbohydrates and soluble cell components [23,24]. Two key parameters in the biogas production from grassland: sugar and fibre content, can be optimized by selecting the suitable harvesting time [10]. Grass can be harvested once or twice per year with conventional haying equipment. Harvesting once a year has the economic advantage of being cheaper than cutting twice and fewer nutrients will be removed from the soil. In autumn the harvesting time is preferable at least one month after the first heavy frost as nitrogen and some potassium will move into the root system and the cutting height should be 6 to 8 inches. The cutting height when harvested during spring should be 8 to 10 inches, at this stage, sufficient carbohydrate reserves have been built up and allow for rapid regrowth [6,25,26]. Switchgrass harvested in spring has lower mineral (potassium and chlorine) concentrations than switchgrass harvested in autumn. Meadow foxtail grassland harvested monthly from June to March in northeast Germany resulted in specific biogas yields decreasing throughout the season from 547 l/kgVS in June to 299 l/kgVS in February, the methane yields showed a parallel pattern from 298 l/kgVS in June to 155 l/kgVS in February whereas the methane percentage stays constant in a mean value of 52 over the year [27].

Growth rates of plants are regulated by the photosynthetic ability and a multitude of environmental factors. Grasses are classified into C3 and C4 species based on their photosynthetic pathway. Anatomical differences in leaf and bundle sheath cells occur between C3 and C4 grasses [28,29]. Typically, the optimum light intensity for C4 species is twice that for C3 species, for that reason C4 grasses are common in tropical regions while C3 grasses are more abundant in European countries. Grasses are classified into annual species, which include many cereals, and perennial species, which include many forage grasses. Tropical grasses grow faster than trees and produce higher biomass in a shorter period. [30].

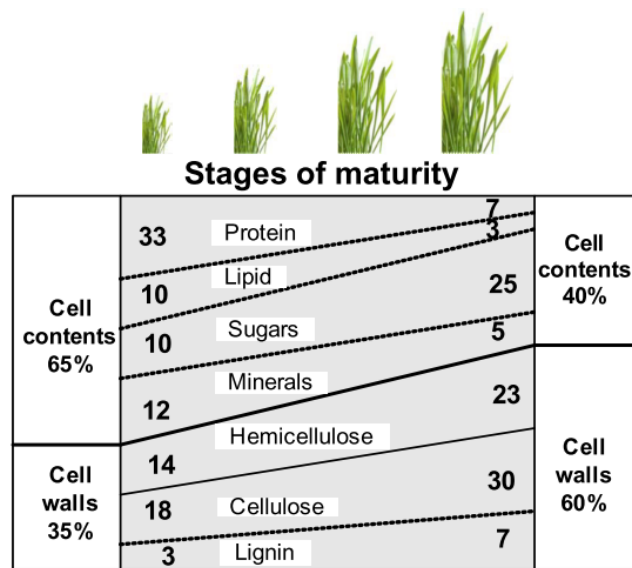


Figure 1. Values of grass components through maturity stages [31].

The type of grass used is another factor that affects the biogas production, depending on the grass specie, its composition vary, therefore the substrates available for anaerobic digestion are different for each grass type. Figure 2 shows the most common grass varieties for anaerobic digestion. The most important grass specie in Europe is perennial ryegrass; other important grass species are meadow fescue, Italian ryegrass, tall fescue, timothy and cocksfoot [3].

Biogas yield from a cultivated variety of canary grass was 406 Ndm³/kgVS meanwhile for a wild grass was 120 Ndm³/kgVS [32]. Similar results were obtained when compared lawn cuttings and wild grass, where wild grass showed a lower biodegradability and lower biomechanical methane potential (BMP) than lawn cuttings, owing to its low lignin and lignocellulose content and low crystallinity of cellulose [33]. Fresh grass most of the times results in bigger biogas production that ensiled grass. Mähnert et al. (2005) compared the methane and biogas production of seven types of fresh and ensiled grass, the results for biogas yield were: perennial ryegrass 904/929 l/kg_{ODM} (fresh/ensiled), cocksfoot

800/718 l/kg_{ODM}, tall fescue 836/818 l/kg_{ODM}, red fescue 845/767 l/kg_{ODM}, meadow fescue 909/846 l/kg_{ODM}, meadow foxtail 804/n.r. l/kg_{ODM} and timothy 828/591 l/kg_{ODM} [1,34,35].

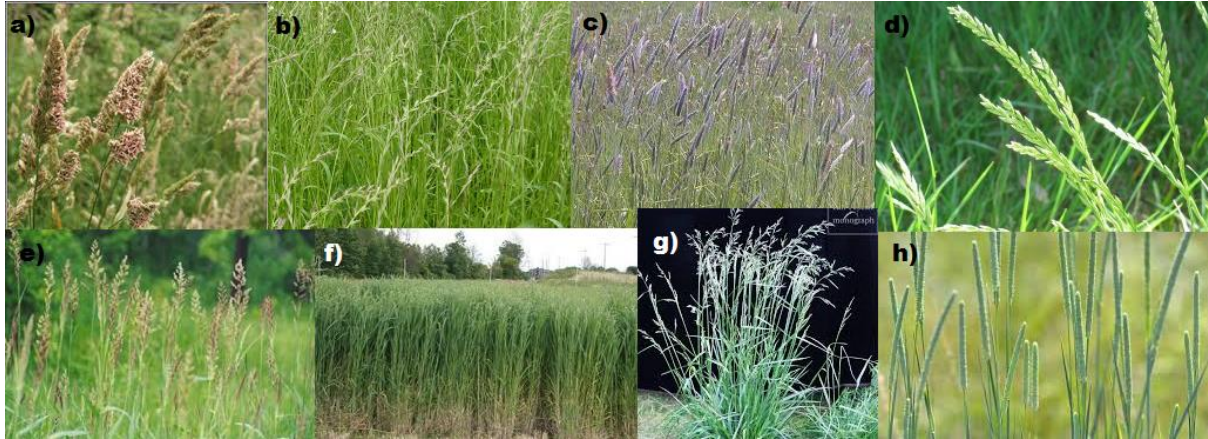


Figure 2. Varieties of grass: a) Cocksfoot, b) Italian ryegrass, c) Meadow foxtail, d) Perennial ryegrass, e) Reed canary, f) Switchgrass, g) Tall fescue and h) Timothy-grass

3. Pretreatment of grass

Lignocellulosic biomass has a complex internal structure. It contains a number of main components (cellulose, hemicellulose and lignin) that have, in their turn, also complex structures (Figure 3) [36]. Before undergo anaerobic digestion the grass should be suitably conditioned in order to offer the microorganisms in the digester a larger target surface area and thus to improve and accelerate the degradation process [37–39].

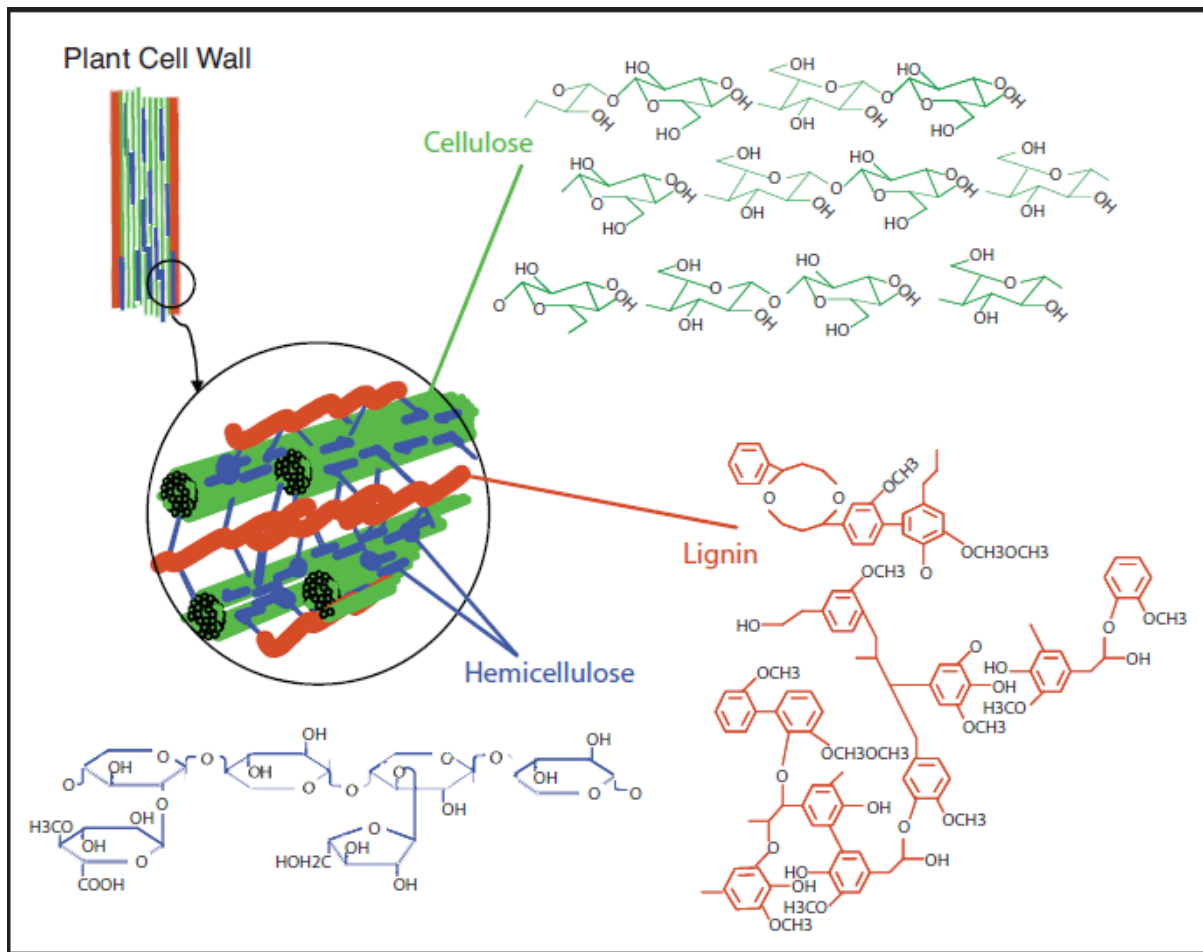


Figure 3. Lignocellulosic biomass internal structure [40].

3.1. Physical

Physical pretreatment refers to those methods that do not use external compounds such as chemicals, water or microorganisms during the pretreatment process. In this paper physical pretreatment methods studied are classified as: mechanical, ultrasound and microwave methods.

3.1.1. Mechanical

Chipping is a mechanical pretreatment that is widely used for big waste materials such as agricultural residues from straw, corn stover or any other crops and forestry residues as wood chips [41]. The objective of chipping is to reduce heat and mass transfer limitations caused by large size particles [42]. After chipping the final particle size of materials is usually 10–30mm [43]. Disk chippers are the most popular type of chippers, in disk chippers straight knives are attached to a revolving heavy disk. The disk rotates at speeds that vary between 400-1000 rpm [44]. Owing to the limitation of particle size reduction, this technique is less effective than milling and grinding in which it is possible to reduce the particle size up to 0.2 mm. For this reason, no chipping techniques were applied to grass

for anaerobic digestion up to date. However, it was reported that reducing the particle size of feedstock beyond 0.4 mm does not improve the biogas yield [42,45–48].

Grinding and milling are methods to treat compact and difficult-to-handle biomass such as hard food wastes, waste paper or wood [49–52]. The grinding method depends on the dimensions, mechanical properties, and moisture content of the biomass. Screw shredders, scissors, knife, and hammers are the most common appliances for grinding. Grinding pretreatment was applied to different feedstock such as alfalfa chops, corn residues and grain sorghum [53–55]. The hydrolysis yield of wheat straw subjected to a grinding process increased from 6% to 34%, the reduction of particle size favoured the contact between the enzymes with the substrate and revealed new zones which contained initially inaccessible polymers in coarse particles. Wheat straw particles were ground until passing through a sieve, the particle size reduction is caused by high-speed mechanical impacts and cutting the feedstock by knives mounted in the rotor [56].

Knife milling technique is usually used for wet feedstock where it is being continuously cut until it is small enough to pass through a sizing screen. The cutting process occurs by rotary equipment consisting of 4-6 knives mounted on a solid steel rotor spinning at between 500 and 600 RPM. Ball mills comprises a drum, where all contained materials are meant for crushing and grinding, such as balls of ceramic, small rocks, or balls made from stainless steel. This method reduce the polymerization degree and crystallinity of cellulose and the feedstock particle size and increases the bulk density allowing the treatment of more concentrated feedstock and reducing the reactor volume [43]. Another milling technique, “Hammer mill”, is based in a rotor with attached hammers that push the material against a breaker plate, the hammers impact the feedstock and it is thereby shredded and expelled through screens. Bitra et al. [57] successfully used a hammer mill to treat different types of biomass such as corn stover and wheat straw. In disc mills, biomass is fed through an orifice coaxially with the rotation axis; a moving grinding disc rotates against a fixed one and draws in the feed material. This type of mill can be built in a single or double disc version. The comminution is generated by pressure and frictional forces: the grinding disc meshing first subjects the sample to preliminary crushing due to the centrifugal force, and then moves it to the outer regions of the grinding discs where fine comminution takes place. The processed feedstock exits through a grinding gap, which can be adjusted for its collection. Disc mills use more energy that hammer mills but produced particles with smaller-size distribution [51,58].

Lindmark et al. (2012) pretreat ley crop silage with two machines originally used in the paper and pulp industry, the Krime disperser and the Grubben deflaker [59,60]. The deflaker system consists of two discs with teeth, one disc rotates and the other is stationary; the feedstock is pumped into the

stationary disc passing the teeth which rip up the fibre structure and the fibre pulp is hurled to the outlet. As well as for the deflaker, the disperser is based in rotor discs, which grind the material as it passes through the narrow openings between the discs. During the treatment, the biomass passes through a screw and in a following step, the material is mixed with water before reaching the grinding sections. The operation of both systems is shown in Figure 4. The pretreatment with the Grubben deflaker increased the methane production of ley crop silage by 59% and with the Krimea disperser by 43%, compared to untreated material, this means an increase in the energy output per hectare of farmland by 3–4MWh [61]. The Krimea disperser resulted in a larger size distribution, resulting in particles of more than 8mm in size while the Grubben deflaker reduced about 90% of the material to less than 2mm in size.

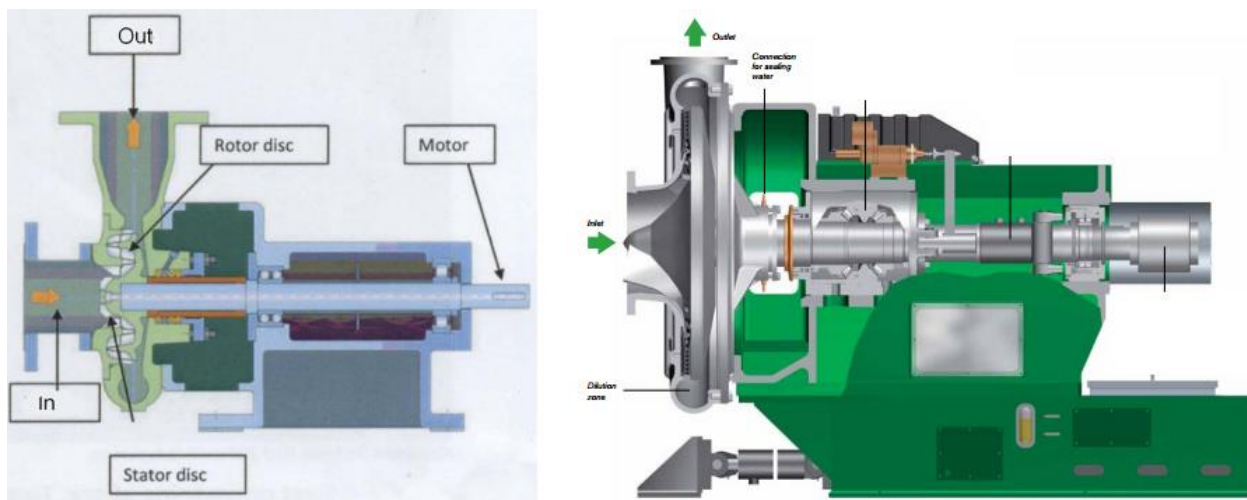


Figure 4. Grubben deflaker (left) and Krimea disperser (right).

The effect of the particle size was investigated in six hay samples collected from local farms in Estonia, the hay was comminuted with a knife mill and laboratory scissors before the anaerobic digestion. Final particle sizes of 0.5, 4 and 10 mm were achieved with the knife mill, while with the laboratory scissors the hay was cut into 2-3 cm pieces. The results show that there is a negative correlation between biogas yield and particle size as well as for lignin content [62].

Tsapekos et al. studied six mechanical pretreatment methods to treat ensiled meadow grass; the pretreatments are based in the combination of two out of four commercially available heavy plates, each with a different shaped pattern. Ensiled meadow grass was placed between the plates; the upper plate was manually pushed back and forth, using two hand grips, across the bottom plate for four times without applying any downward force on it; the friction cut the grass reducing its length, the operation principle is shown in Figure 5. The higher biogas production was achieved with the sample with more percentage of small particles (22% of 0-5cm particles), enhancing the methane production

by approximately 25%. The least efficient pretreatment method resulted only in 8% biogas enhancement, which corresponds to the sample with a 45% of particles longer than 15 cm [63].

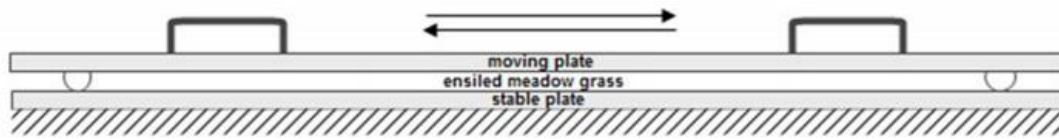


Figure 5. General principle of mechanical pretreatment in Tsapekos et al. study [63].

Extrusion is another mechanical process adapted from other industries such as metal and plastic forming. The feedstock is subjected to heating, mixing and shearing, causing the break of fibres and the plant cells lysing, as the feedstock leaves the extruder, the sudden drop in pressure causes evaporation of intracellular water that helps the substrate breakdown. The applied shear forces serve to continuously remove the softened surface regions of the substrate and expose the interior to the biological action, thus improving the overall rate of decrystallization [64]. Twin-screw extruders, where the screws rotate counter wise, are typically used; the major drawback is that the screws have to be changed regularly due to abrasion. Feedstock with solid content of 30 to 35% cannot be extruded at temperatures over 100°C due to water evaporation and substrate drying [65]. Extrusion was applied as pretreatment for different biomass feedstock as barley straw, grass, pig and cow manure. A methane yield increase of 11.5-13.4% was achieved when maize was previously extruded [66].

Extruded grass produced 62% higher methane yield after 28 days of digestion time and by 9% after 90 days compared to untreated feedstock. The electrical yield (determined by comparing the electrical energy produced by un-extruded material and the electrical energy produced by extruded material after subtracting the electrical energy input for the extruder) also increases after 28 and 90 days of anaerobic digestion by 47 and 7 % respectively [67]. By means of an adjustable opening present at the outlet of the extruder it was possible to modify the extrusion intensity level. The methane yield was proportional to the extrusion intensity for ryegrass, where the pretreatment achieved an increase of 7.1-8.5% for two different levels of extrusion. The energy efficiency, calculated as ratio of energy output to energy input, is also higher for the higher level of extrusion intensity with a value of 2.9 [66]. Extruded meadow grass (Figure 6) increase the biogas production by 27% compared to non pretreat material [68].



Figure 6. Meadow grass before (left) and after (right) extrusion treatment [68].

3.1.2. Ultrasound

Acoustic energy in the form of waves with a frequency above the human hearing range is called ultrasound. This high frequency of sonic waves causes cavitation inside the cells and regions with liquid vapour, so-called microbubbles are formed. Cavitation provides the physical effects of micro-turbulence and velocity/pressure shockwaves. Frequencies on the order of KHz and high amplitudes induce cell lysis releasing the intracellular material, cavitation promotes chemical reactions to destroy organic matter due to the high local temperatures and pressures, creating extreme shear forces in the liquid and leading the formation of reactive radicals (H^+ and OH^-), furthermore, the hydrolysis of the biomass is accelerated and subsequently VFAs are more readily generated and transformed into methane. Schwede et al. found that micro-algae *Nannochloropsis salina* samples with higher VS degradations resulted in lower specific biogas productions contrary to expectations, author mention this is a sign for possible loss of volatile organic material during cell disruption by ultrasounds [69–73]. Samson and LeDuy (1983) explained this effect by changes in the chemical composition of the culture media due to cell disruption [74], while Gonzalez-Fernandez et al. (2012) state that at different sonication energies, different types of organic matter were released. At low energies, no cell lysis occurs and COD solubilisation is due to exopolymer dissolution which did not increase methane production. In contrast, at higher energies the disruption of the cell contributed to enhanced methane production [75]. Ultrasound pretreatment has been used for many different types of biomass including cattle and chicken manure, olive mill wastewater and sludge [76–79] however up to date it has not been proved on grass. All the previously mentioned types of biomass has a high percentage of water in their composition and ultrasound pretreatment have been found be more effective when lignocellulosic materials are mixed with water [80]. This is due to the better sound transmission in the

interface water-solid than in the air-solid one, therefore if ultrasound pretreatment will be applied to grass for biogas production, it is highly recommended to mixture the biomass with water before pretreatment.

3.1.3. Microwave

Microwaves are short waves of electromagnetic energy varying in a frequency from 0.3 to 300 GHz, industrial and domestic microwaves ovens operate at 2.45 GHz. These waves increase the kinetic energy of the water leading to a boiling state; the process polarizes macromolecules, causing changes in the structure of proteins and a rapid generation of heat and pressure in the biological system that produce cell hydrolysis, forcing out compounds from the biological matrix. A uniform microwave irradiation generates energy through the realignment of dipoles with oscillating electric fields to generate heat both internally and at the surface of the treated material, heating more quickly all parts than conduction methods. Also, microwave heating units feature instant on/off, so no equipment warm-up or cool down is necessary. Under microwave irradiation, lipids are hydrolysed to palmitic acid, stearic acid, and oleic acid; proteins are hydrolysed into saturated and unsaturated acids, ammonia, and carbon dioxide; and carbohydrates are hydrolysed into lower molecular weight polysaccharides [81–84]. Microwave pretreatment is used in different types of biomass in order to improve the biogas yield [85–88].

Microwave pretreated *Pennisetum* hybrid resulted in a specific methane yield decrease from 189.7 mL/gVS correspondent to raw material to 163.6 mL/gVS after 3 min pretreatment [89]. Similar results were obtained with switchgrass, microwave pretreatment has no significant effect on the ultimate volume of methane produced, however, kinetics of methane production was increased; the time needed to reach the 80% value of ultimate volume of CH₄ was reduced by 4.5 days [90]. (Table 1) summarizes the mechanical and microwave techniques above explained.

Table 1. Physical pretreatments for grass biogas production.

Pretreatment	Machine	Feedstock	Results	References
Mechanical	Grubben deflaker	Ley silage	+ 59% CH ₄ production	[61]
	Krima disperser	Ley silage	+ 43% CH ₄ production	[61]
	Knife mill and laboratory scissors	Hay	Negative correlation biogas yield/ particle size	[62]
	Heavy plates	Meadow grass	+ 25% CH ₄ production	[63]

	Extruder		<i>Festulolium</i>	+ 62% CH ₄ yield	[67]
	Extruder		Reygrass	+ 8.5% CH ₄ yield	[66]
	Extruder		Meadow grass	+ 27% biogas production	[68]
Microwave	400-1600 W		Switchgrass	Increase in CH ₄ kinetics	[90]
	1180 W		<i>Pennisetum</i> hybrid	- 13% CH ₄ yield	[89]

3.2. Thermal

Thermal pretreatment is effective in the degradation of lignin and hemicellulose, heat break up the hydrogen bonds in crystalline complexes of cellulose and lignocellulose, causing the biomass to swell, thus increasing the accessible surface area. Thermal pretreatment is carried out in most cases in autoclaves, pressure cookers or jacketed reactors (laboratory scale); dry substrates need the addition of water before the treatment. It was shown that thermal pretreatment reduces the viscosity of sewage sludge when it is used as feedstock for anaerobic digestion [91], as viscosity is an important operational parameter in biological processes, reducing the biomass' viscosity facilitates the reactor feeding. Inhibitory or toxic effects may be caused to bacteria, yeast and methanogens due to the phenolic compounds produced from the solubilisation of hemicellulose and lignin. Thermal pretreatment can be carried out alongside chemical addition; usually, the addition of an acid or an alkali improves the pretreatment' effectiveness. The sanitisation of the feedstock is a further advantage of thermal pretreatment, applying high temperatures, the pathogens are eliminated. This effect is particularly advantageous when the biomass is stored and not used right following the pretreatment [89,92–94]. The effect of thermal pretreatment was extensively investigated in different biomass including sugarcane, algae, sugar beet pulp and sunflower oil cake [13,95–98].

Thermally pretreated *Pennisetum* hybrid resulted in a specific methane yield increase from 189.7 mL/gVS correspondent to raw material to 198.3 mL/gVS after 30 min water vapour pretreatment [89].

Dry hay was pretreated by steam explosion at temperatures ranging from 160 to 220°C. Steam explosion pretreatment is based on steam injection to the sample followed by an abruptly pressure reduction, which make the biomass suffer an explosive decompression producing the hydrolysis of the hemicellulose into individual sugars. The maximum methane yield increment of 16% (281IN/kgVS) was resulted when the biomass was pretreated at 175°C for 10 min. Higher temperatures markedly decreased the methane yield, this can be attributed to the formation of substances inhibiting the

microorganisms responsible for the anaerobic digestion process (e.g. phenolic compounds or furan derivatives) as well as to the loss of sugars due to pseudo-lignin formation [99].

A hyperthermophilic pretreatment at 80°C was applied to a mixture of shredded grass and sewage sludge. Under mesophilic conditions and with a retention time of 3 days, the methane yield increased from 212.6 Nml/g VS (raw mixture) to 309.7 Nml/g (pretreated mixture). Under thermophilic conditions and 4 days of retention time, the methane yields were 279.5 Nml/g VS for raw material and 339.9 Nml/g VS for the pretreated mixture. The CODs increased significantly from 9.1 g/L correspondent to raw mixture to 19.4 g/L after pretreatment [100].

3.3. Chemical

Although cellulose has a crystalline structure and great resistance to acids and alkalis [101], these compounds are commonly used to solubilize the hemicellulose and lignin presented in the biomass, making them more available for enzymatic attacks. Acid pretreatment is indicated for hemicellulose solubilisation, whereas alkaline pretreatment was found more effective in lignin removal [93,102–104]. The most commonly alkalis used (sodium, ammonium, calcium and potassium hydroxides) have been used for the pretreatment of lignocellulosic materials, the alkali pre-treatment's effectiveness depends on the lignin content of the biomass. This pretreatment produces the saponification and cleavage of lignin-carbohydrate linkages, increases the porosity and internal surface area of biomass, and decreases the degree of polymerization and crystallinity of feedstock. Chemical pretreatment technology is generally considered unattractive economically, but may be used in lignin rich biomass that otherwise could not be digested. The residual alkali remaining in alkali-pretreated biomass could help to prevent a drop in pH during the acidogenesis step. Acid pretreatment can be conducted either by a concentrated acid or by a dilute acid, sulphuric acid is the most commonly used, hydrochloric acid, nitric acid, and acetic acid, have also been used. Concentrated acid is highly effective on cellulose hydrolysis; however it is an energy and cost intensive process. Concentrated acid is greatly toxic and corrosive, therefore special materials are required for the reactors construction. Dilute acid is a more economic choice and for lignocellulosic biomass pretreatment can hydrolyses up to 100% of the hemicellulose into its component sugars [48,94,105,106].

Calcium hydroxide ($\text{Ca}(\text{OH})_2$) pretreatment was applied to grass biomass at different loading rates; results showed that higher lime concentration results in better methane production. At 52°C, when the lime concentration is 0.8%, the methane production increased by 4%; and for a lime concentration of 9.2%, the methane production increased by 14%. However, the best result was achieved at 10°C and 7.5% loading rate, with an increase in methane production by 37% [107].

The Fenton oxidation process, in which Fe^{2+} reacts with H_2O_2 to generate $\cdot\text{OH}$, was employed to degrade organic compounds. The mixture of FeSO_4 and H_2O_2 (Fenton's reagent) at low pH decomposes organic compounds in a short time [108]. Pretreating three types of grass with Fenton's reagent, the biogas productions were 25.2 Ndm³/kgTS for *Sorghum*, 26.1 Ndm³/kgTS for *Sida* and 13.6 Ndm³/kgTS for *Miscanthus* [109].

3.4. Biological

Biological pretreatment of biomass is based in three main actions, bacterial, fungi and enzymatic activity. Brown-, white- and soft-rot fungi are used to degrade lignocellulosic biomass. White and soft rots fungi attack cellulose and lignin, while brown rots attack mainly cellulose. White-rot was proved as the most effective among fungi for lignocellulosic biomass degradation. Pre-acidification, also known as anaerobic microbial pretreatment, can be used as pretreatment method for improving biogas production: in this process the first steps of the anaerobic digestion, hydrolysis and acidogenesis, occur separated from the final methane production step. Through the separation of the phases, it is possible to avoid the inhibitory effects on methanogens produced by the accumulation of volatile fatty acids. Enzymatic hydrolysis is another type of biological pretreatment. Although enzymes are already present in the digesters as they are produced by the digestion microorganisms, an enzyme or mixture of enzymes can be added in order to enhance the biomass degradation. Cellulose-, hemicellulose-, and starch-degrading enzymes are the more frequently used for lignocellulosic feedstock. Enzymatic hydrolysis pretreatment can be an alternative to energy-demanding thermal and mechanical pretreatments and also to chemical pretreatments as enzymes are much more safety compounds than chemicals. However, biological processes are high time and space demanding, usually it is necessary 10-14 days of residence time, then, at higher residence time, higher reactor volume is required. Biological pretreatment can be used on its own or combined with other pretreatment methods if there is a high concentration of recalcitrant compounds [42,93,94,110].

Napier grass was pretreated with three microbial consortia MC1, WSD-5 and XDC-2 for different times, 3, 7, 13, 17, and 21 days. MC1 comprises thermophilic bacteria, mainly cellulose-degrading bacteria *Clostridium straminisolvens*. WSD-5 comprises fungal and bacterial communities, the most dominant fungi is *Coprinus cinereus* and bacteria is *Ochrobactrum sp.* XDC-2 was mainly composed of mesophilic bacteria in the genera *Clostridium*, *Bacteroides*, *Alcaligenes*, and *Pseudomonas*. The yields for treated grass were higher than for the untreated samples except the 21 days pretreatment with MC1 and XDC-2 consortia. The maximum methane yields for MC1, WSD-5 and XDC-2 pretreated samples were 1.39, 1.49 and 1.32 times greater than for untreated samples [111].

Ligninolytic fungus *Phanerochaete flavido-alba* was used to pretreat grass of verge before undergoes anaerobic digestion. Despite the pretreatment led to a decrease in all lignocellulose fractions (Cellulose, hemicellulose and lignin), biogas production was similar in non-inoculated substrates than in inoculated, but no explanation was given about this result by the authors. The same pretreatment is effective for wood fiber [112].

In 1963 Dewar et al. showed that during ensiling considerable amounts of sugars were produced from hemicelluloses by acid hydrolysis over a 90-day period. These changes in biomass composition suggest that ensiling may be considered as a biological pretreatment method for cellulosic biogas production [113]. The ensiling process involves the production of organic acids and a decrease in pH that consequently prevents growth of fungi, yeasts and bacteria which may otherwise decompose the carbohydrate structure of biomass [114]. Biomass composition, biomass dry matter at ensiling, and microbial community are the main factors influencing ensiling. Combination of storage and pretreatment at ambient temperature and pressure as in ensiling holds a considerable potential cost and energy savings [113,115].

Ensiling assisted with two inocula, LACTISIL Grass plus (GP) and LACTISIL CCM (CCM) was applied as pretreatment for *Festulolium Hykor* grass. GP inocula consist of the lactic acid bacteria (LAB) *Pediococcus pentosaceus* and *Lactobacillus plantarum*, which are both homofermentative. CCM inocula consist of pure *Lactobacillus buchneri* which is heterofermentative. Ensiling had a positive effect on the sugar release by generally yielding higher amounts of sugar per biomass gram; however, the inocula did not affect the acid production of the ensiling. This no effect can be explained by the fact that the natural epiphytic organisms on the grass dominated the fermentation processes rather than the ones presents in the inocula. The maximum cellulose convertibility (CC) after ensiling was 70%, which means an increase of 40% relative to the dry grass. Table 2 summarizes the thermal, chemical and biological pretreatments applied to grass.

Table 2. Thermal, chemical and biological pretreatments for grass biogas production.

Pretreatment	Conditions	Feedstock	Results	References
Thermal	Autoclave	<i>Pennisetum</i> hybrid	+ 4% CH ₄ yield	[89]
	Steam explosion 160-220°C	Hay	+ 16% CH ₄ yield	[99]
	Oil bath 80°C	<i>Eleusine indica</i>	+ 46% CH ₄ yield	[100]
Chemical	Ca(OH) ₂	Grass	+ 37% CH ₄ production	[107]

	Fenton's reagent	<i>Miscanthus giganteus</i>	13.6 Ndm ³ /kgTS (biogas)	[109]
	Fenton's reagent	<i>Sorghum Moensch</i>	25.2 Ndm ³ /kgTS (biogas)	[109]
	Fenton's reagent	<i>Sida hermaphrodita</i>	26.1 Ndm ³ /kgTS (biogas)	[109]
Biological	Microbial Consortium: MC1	Napier grass	+ 39% CH ₄ yield	[111]
	Microbial Consortium: WSD-5	Napier grass	+ 49% CH ₄ yield	[111]
	Microbial Consortium: XDC-2	Napier grass	+ 32% CH ₄ yield	[111]
	Ensiling	<i>Festulolium Hykor</i>	+ 40% CC	[116]
	Fungus: <i>P. flavido-alb</i>	Grass of verge	No effect	[112]

4. Case studies

Although the information available about the commissioned biogas plants are very scarce as the plants are runner by private companies or small farms who not offer much information, in this section are presented some examples of biogas plant working with grass as feedstock from United Kingdom and Germany.

- Tuquoy Farm

Settle in Westray, Orkney Islands in a family farm of cattle and sheep. The plant has three digesters of 175, 75 and 2 m³ respectively which operate at mesophilic conditions. The 2 m³ digester is only used for batch processing trial feedstocks. The digesters are fed with approximately 2,190 T/yr of slurry and 200T/yr of grass silage. In this case the grass represents only the 10% of the feedstock. No grass pretreatment is made. The gas is use in two 9kW CHP and a gas boiler and the 2200 T/yr of digestate produced annually is used on-farm. It is spread mainly on grassland and a barley crop, with fertilizer supplementation [117].

- Devon Farm

The farm is mainly for grass silage production, with beef cattle and free range chickens. The 500 m³ digester is fed mainly grass and some chicken manure. The digester is heated until mesophilic temperatures by a biogas boiler; the digestate is used on the grassland. Gas is scrubbed by injecting a small amount of air, then used in a 45 kW CHP. No grass pretreatment is made [117].

- Swancote Energy

Based in Bridgnorth, England; this biogas plant is operated by Swancote Energy Ltd. since 2011. The plant is formed by three digesters of 2.300 m³. The feedstock is mainly farm residues including food waste, potato peel, yoghurt sludge, maize silage and grass silage. The process temperature is 40°C and the HRT 50 days. The plant is provided with gas storage of 4.500 m³ that is used in a CHPP, the heat is used for running a pre-pasteurization system for the feedstock. The digestate is spread out on the fields of the plant owner. No grass pretreatment is made. [118].

- Oberlauterbach-Hallertau

The plant operated by Bioerdgas Hallertau GmbH in the Bavaria region, Germany, was specifically designed for processing fibres-rich materials (lignocellulosic). The AD system is made of 3 horizontal digesters and 4 round digesters. The feedstock is composed of 65% hop silage and 35% maize/grass silage. The feedstock is pretreated by extrusion and magnets to remove metal contaminants that increases gas yield and reduces pollution on digestate. The mesophilic process temperature is approx. 40°C and the HRT 110 days. The biogas produced undergoes upgrading process so that biomethane is injected to the national gas grid (95 million kWh/yr) [119]

- Klostermansfeld

DSM Food Specialties B.V. operates this plant in Klostermansfeld, Germany. The plant is fed with corn silage, grass silage and grain. Hydrolytic enzyme MethaPlus® L100 is used as pretreatment. The results show an increase in both the energy production (12%) and the mixing properties alongside an increased process stability and reduced digestate through better substrate conversion. The plant operates at mesophilic temperature and with a HRT 106 days. The digester has a volume of 1.600 m³, gas storage of 3.600 m³ and has a capacity of 834 kW through CHP. The digestate is used as fertilizer [120].

Table 3. Biogas plants with grass as feedstock.

Plant	Feedstock	Pretreatment	Temperature	Energy production
Tuquoy Farm	2,190 T/yr cattle and sheep manure 200T/yr grass silage	No	Mesophilic	2 x 9kW CHP
Devon Farm	Grass and chicken manure	No	Mesophilic	45 kW CHP
Swancote Energy	Food waste, potato peel, yoghurt sludge, maize silage and grass silage	No	Mesophilic 40°C	2.000 kW CHP
Oberlauterbach- Hallertau	65% hop silage 35% maize/grass	Extrusion	Mesophilic 40°C	11.5 MW
Klostermansfeld	Corn silage, grass silage and grain	Biological	Mesophilic	834 kW CHP

5. Discussion

The literature available about the pretreatment of grass for biogas production to date is very scarce, for that reason comparing methods is not easy, as most of reported studies applied different pretreatment conditions to different grass species. The energy balance of the pre-treatment method has to be positive for the process in order to be profitable. Economic efficiency is the most important factor that decides what pre-treatment technique should be used. Usually, pre-treatment techniques with lower energy input has a lower impact on biogas and methane yield compared to pre-treatment techniques that require higher energy demand.

The main advantages and disadvantages of grass pretreatment methods are summarised in Table 4. Mechanical pre-treatment is used for grass as well as for other biomass feedstock in order to increase the surface area and make the digestion easier. Remarkably high biogas yield were reported using these methods, with biogas productions increases between 25 and 60%. In mechanical pre-treatments, existing machinery from other industries can be used with minor changes or adjustments, but such machinery is highly sensitive to inert materials such as stones or metallic materials that could easily damage it. Additionally, mechanical methods are high energy demanding and have high maintenance costs.

In microwave pretreatment, a cell wall lysis is achieved to make the lipids and proteins more available to digestion, this is based on the disruption of hydrogen bonds that produces changes in protein and lipid structures, the quick penetration into biomass is the main advantage of the process as well as the heat produced that by itself help to biomass disintegration, while the main disadvantage is the high energy consumption, depending on biomass concentration, higher energy supplied usually results in higher biomass solubilisation and greater biogas production. On the other hand, microwave pre-treatment seems to be the easiest method, where the samples are subjected to the irradiation and do not need any further treatment. Samples are introduced into the equipment in buckets, so there is no need to clean the facility after each treatment, and the process normally takes no more than 30 min. To date microwave pretreatment resulted in biogas production reduction around 13%.

Thermal pre-treatment is generally considered as an easy and fast method, it usually takes 10-30min, but there are some studies where the biomass was subjected to a longer period up to 5 days in the case of using the oil bath [99]. Methane yield increase can vary from 4 to 46% by using such technique. Additionally, thermal pre-treatment have an additional benefit, the sanitisation of the feedstock. The main disadvantage is that it is a high energy demand process. Another problem that may occur in thermal pre-treatment is the formation of recalcitrant compounds that reduce the

anaerobic degradability. Energy balance in thermal pre-treatment is related to the solid content of biomass, as it can be improved when biomass is previously dewatered.

Biological pre-treatment is a low energy demanding process compared to other pre-treatments and it doesn't form any inhibitory compounds during the process, while the main disadvantage of this type of pretreatment is that it is a slow process. The enzyme cost should be taken into account, as some enzymes have a relatively high price for a limited increase in methane yield. Different microbial consortiums and the ensiling process can achieve increases in methane yield of 30-50%.

The addition of an alkali or an acid to biomass is another process to improve its degradability. In grass pre-treatment, the chemicals used to date are calcium hydroxide and Fenton's reagent. These compounds improve the solubilisation of hemicellulose with a low energy demand, however, chemical pre-treatment have multiple disadvantages: the possibility of chemical contamination and changes of pH in the digester leading an interruption in the process. Furthermore, the corrosion problems in the reactor, along with the chemical cost make chemical pre-treatment the one of the most complicated methods to pre-treat grass for biogas production. To date chemical pretreatment resulted in biogas production increase around 37%.

Table 4. Advantages and disadvantages of grass pretreatments.

Pretreatment	Description	Advantages	Disadvantages	Effect on Ch ₄ /biogas
Mechanical	Reduction of cellulose crystallinity and particle size.	Biomass easier to handle Existing machinery. Improves fluidity in digester Increase surface area	High energy demand High maintenance cost Sensitive to inert materials	+ 25-60%
Microwave	Disruption of hydrogen bonds Changes in protein and lipid structure	Quick and uniform heating	High energy demand	- 13%
Thermal	Heat application in the range of 50-250°C	High biomass solubilisation High methane yield increment Sanitisation of the feedstock	High energy demand Thickened biomass Possible recalcitrant compounds	+ 4-46%
Chemical	Adding an alkali or an acid, usually sodium peroxide and sulphuric acid	Low energy demand Solubilisation of hemicellulose	Chemical contamination Chemicals cost Possible inhibitory compounds Corrosion problems Changes of pH in the digester	+ 37%

Biological	Adding an enzyme or combination of enzymes to enhancing the hydrolysis	Low energy demand Not inhibitory compounds	Slow process Big space Enzyme cost Enzyme-substrate specificity	+ 30-50%
------------	--	---	--	----------

6. Conclusion

Most pre-treatment techniques can improve biogas production from grass in different percentages around 50% [100,111]. In cases of mechanical methods, the improvement raises to around 60% [61,67]. Mechanical pretreatments lead to a reduction of the particle size of the feedstock which is the best way to improve the availability of the substrate in the case of lignocellulosic materials. Despite that mechanical methods are normally related to high energy requirements, they are still considered very promising, and more research is believed to improve the energy balance for such methods.

Despite the methods' disadvantages, more research is need in order to overcome them and achieve more efficient methods to scale up and applied in industry. High energy requirement is a disadvantage common to all methods; the facilities used for grass pretreatment are machinery pre-existent for other purposes then a deepest study is needed to optimize each appliance for the specific technique where it is used. In chemical and biological treatments, new compounds and enzymes can be studied to increase the effectiveness and at the same time reduce the toxicity and the pre-treatment time. Pretreatment parameters may be specified using multi-objective optimization technique, so that a high biogas yield can be produced with a positive energy balance. Different techniques can be used for solving such multiple response problems. The desirability approach was used in different engineering areas, and it is recommended due to its simplicity, availability in the software and flexibility for each response.

In United Kingdom there are 55 biogas plants working with grass as feedstock from a total of 913 [121,122], grass is always co-digested with other substrates, in most cases alongside with animal slurry. These biogas plants using grass as raw material are in the group of farm-fed plants, farm-fed plants have higher potential of biogas production for the next 3 years with the possibility of reach 500 plants. Pretreatment of grass for biogas production is still not widely used at industrial scale and no information about it could be found for UK.

Most of the member countries of the European Union have drawn up a biogas roadmap as part of their national renewable energy action plan in the framework of the European Renewable Energy Directive (2009/20/EC) [123]. The Directive set the electricity production from biogas in 63.3 TWh by

2020 that means an increase of 254% compare to the production in 2009. This goals are been accomplished, in 2013 the biogas electricity produced in the European Union was 52.3 [124].

In order to study future targets of biogas production from grass for United Kingdom, can be set some key performance indicators (KPIs) which will help us to evaluate the progress in biogas from grass:

- Grass availability

In Northern Ireland, the 5% of the grassland area (39,000 ha) could contribute 62 MW, equivalent to 39% of the average electricity demand in the region [125]. Considering the similarity of land use in the whole United Kingdom with Northern Ireland, the energy potential from grass could increase to a high extent, especially in Scotland where there is only one biogas plant with grass as raw material.

- Pretreatment method

As was discussed in this paper, pretreatment methods of grass for biogas production improve and accelerate the degradation process achieving higher biogas and methane yields.

- Governmental policies

In UK the government is supporting the role of anaerobic digestion through different plans; the Department for Environment Food & Rural Affairs (DEFRA) set the level of 305 TWh of heat and electricity from AD by 2020. Scotland has also introduced food waste bans on disposal to landfill and this has improved the AD capacity. Northern Ireland has introduced four new Renewables Obligation Certificate (ROC) that increases the grass-fed biogas plants [126]. On the EU level, there is no specific policy on biogas, but it is addressed in multiple policy documents and Directives that are related to renewable energies and bioenergy. Biogas is included in three EU regulatory frameworks: the Renewable Energy Directive (2009/28/EC), the Directive on Waste Recycling and Recovery (2008/98/EC) and the Directive on Landfill (1999/31/EC).

References

- [1] Prochnow A, Heiermann M, Plöchl M, Linke B, Idler C, Amon T, et al. Bioenergy from permanent grassland--a review: 1. Biogas. *Bioresour Technol* 2009;100:4931–44. doi:10.1016/j.biortech.2009.05.070.
- [2] FAOSTAT. Agri-Environmental Indicators 2014. <http://faostat3.fao.org/browse/E/EL/E> (accessed December 8, 2014).
- [3] Carlier L, Rotar I, Vlahova M, Vidican R. Importance and Functions of Grasslands. *Not Bot Horti Agrobot Cluj-Napoca* 2009;37:25–30.

- [4] Scottish Governmet. Scottish agricultural census 2013.
- [5] Olabi AG. The 3rd international conference on sustainable energy and environmental protection SEEP 2009 – Guest Editor’s Introduction. *Energy* 2010;35:4508–9. doi:10.1016/j.energy.2010.09.053.
- [6] University of Kentuky. Switchgrass for Bioenergy. 2013.
- [7] Rinehart L. Switchgrass as a Bioenergy Crop. 2006.
- [8] Smyth BM, Murphy JD, O’Brien CM. What is the energy balance of grass biomethane in Ireland and other temperate northern European climates? *Renew Sustain Energy Rev* 2009;13:2349–60. doi:10.1016/j.rser.2009.04.003.
- [9] IEA Bioenergy. Energy from Biogas. 2014.
- [10] Elsässer M, Messner J, Keymer U, Roßberg R, Setzer F. Biogas from grass: How grassland can contribute to producing energy. Frankfurt Am Main: 2012.
- [11] Christoforou E a., Fokaides P a. A Review of Quantification Practices for Plant-Derived Biomass Potential. *Int J Green Energy* 2014;12:368–78. doi:10.1080/15435075.2014.880147.
- [12] Weiland R, Braun P, Wellinger A. Biogas from Energy Crop Digestion. 2010.
- [13] Olabi AG. State of the art on renewable and sustainable energy. *Energy* 2013;61:2–5. doi:10.1016/j.energy.2013.10.013.
- [14] Gutierrez E, Caldera Y, Contreras K, Blanco E. Degradación anaerobia mesofilica y termofilica de aguas de producción de petróleo liviano. *Bolentin Del Cent Investig Biol Univ Zulia* 2006;40:242–56.
- [15] Chandra R, Takeuchi H, Hasegawa T. Methane production from lignocellulosic agricultural crop wastes: A review in context to second generation of biofuel production. *Renew Sustain Energy Rev* 2012;16:1462–76. doi:10.1016/j.rser.2011.11.035.
- [16] Nizami A-S, Murphy JD. What type of digester configurations should be employed to produce biomethane from grass silage? *Renew Sustain Energy Rev* 2010;14:1558–68. doi:10.1016/j.rser.2010.02.006.
- [17] Acosta YL, Cristina M, Abreu O. Redalyc.La digestión anaerobia. Aspectos teóricos. Parte I 2005;XXXIX:35–48.
- [18] Murphy JD, Thanasit Thamsiriroj. Fundamental science and engineering of the anaerobic digestion process for biogas production. In: Wellinger A, Murphy JP, Baxter D, editors. *Biogas Handb.*, Elsevier; 2013, p. 104–30. doi:10.1533/9780857097415.1.104.
- [19] Olabi AG. 100% sustainable energy. *Energy* 2014;77:1–5. doi:10.1016/j.energy.2014.10.083.
- [20] Naik SN, Goud V V., Rout PK, Dalai AK. Production of first and second generation biofuels: A comprehensive review. *Renew Sustain Energy Rev* 2010;14:578–97. doi:10.1016/j.rser.2009.10.003.
- [21] Hartmann S, Diepolder M, Lichti F. Grünland für die Biogasanlage. 2011.
- [22] Seppälä M, Paavola T, Lehtomäki A, Rintala J. Biogas production from boreal herbaceous grasses--specific methane yield and methane yield per hectare. *Bioresour Technol* 2009;100:2952–8. doi:10.1016/j.biortech.2009.01.044.
- [23] Amon T, Amon B, Kryvoruchko V, Zollitsch W, Mayer K, Gruber L. Biogas production from maize and dairy cattle manure—Influence of biomass composition on the methane yield. *Agric Ecosyst Environ* 2007;118:173–82. doi:10.1016/j.agee.2006.05.007.
- [24] Schittenhelm S. Chemical composition and methane yield of maize hybrids with contrasting maturity. *Eur J Agron* 2008;29:72–9. doi:10.1016/j.eja.2008.04.001.
- [25] Smith SR, Schwer L, Keene T, Sena K. Switchgrass for Biomass Production in Kentucky. Lexington: 2011.
- [26] Undersander D, Casler M, Cosgrove D. Identifying pasture grasses. Madison, WI: 1996.

- [27] Prochnow A, Heiermann M, Drenckhan A, Schelle H. Seasonal Pattern of Biomethanisation of Grass from Landscape Management. *Agric Eng Int CIGR Ejournal* 2005;VII.
- [28] Keeley JE, Magill FN, editors. C4 and CAM Photosynthetic Pathways. *Magill's Surv Sci Life Sci Ser* 1991:308–15.
- [29] Waller SS, Lewis JK. Occurrence of C 3 and C 4 Photosynthetic Pathways in North American Grasses. *J Range Manag* 1979;32:12. doi:10.2307/3897378.
- [30] The Bioenergy System Planners Handbook – BISYPLAN 2012. <http://bisyplan.bioenarea.eu/html-files-en/01-02.html> (accessed July 31, 2015).
- [31] Murphy J, Braun R, Weiland P, Wellinger A. Biogas from energy crop digestion 2011.
- [32] Oleszek M, Król A, Tys J, Matyka M, Kulik M. Comparison of biogas production from wild and cultivated varieties of reed canary grass. *Bioresour Technol* 2014;156:303–6. doi:10.1016/j.biortech.2014.01.055.
- [33] Triolo JM, Pedersen L, Qu H, Sommer SG. Biochemical methane potential and anaerobic biodegradability of non-herbaceous and herbaceous phytomass in biogas production. *Bioresour Technol* 2012;125:226–32. doi:10.1016/j.biortech.2012.08.079.
- [34] Mähnert P, Heiermann M, Linke B. Batch- and Semi-continuous Biogas Production from Different Grass Species. *Agric Eng* 2005;VII:1–11.
- [35] Mähnert P, Heiermann M, Plöchl M, Schelle H, Linke B. Verwertungsalternativen für Grünlandbestände. *LANDTECHNIK* 2002;5:260–1.
- [36] Harmsen P, Huijgen W. Literature Review of Physical and Chemical Pretreatment Processes for Lignocellulosic Biomass. 2010.
- [37] Alaswad A, Dassisti M, Prescott T, Olabi AG. Technologies and developments of third generation biofuel production. *Renew Sustain Energy Rev* 2015;51:1446–60. doi:10.1016/j.rser.2015.07.058.
- [38] Rodriguez C, Alaswad A, Mooney J, Prescott T, Olabi AG. Pre-treatment techniques used for anaerobic digestion of algae. *Fuel Process Technol* 2015;138:765–79. doi:10.1016/j.fuproc.2015.06.027.
- [39] Haghghi Mood S, Hossein Golfeshan A, Tabatabaei M, Salehi Jouzani G, Najafi GH, Gholami M, et al. Lignocellulosic biomass to bioethanol, a comprehensive review with a focus on pretreatment. *Renew Sustain Energy Rev* 2013;27:77–93. doi:10.1016/j.rser.2013.06.033.
- [40] Pictures for Lignocellulose structure n.d. <http://www.biofuel.webgarden.com/sections/blog/pictures-for-lignocellulose> (accessed May 29, 2015).
- [41] Sun Y, Cheng J. Hydrolysis of lignocellulosic materials for ethanol production: a review. *Bioresour Technol* 2002;83:1–11. doi:10.1016/S0960-8524(01)00212-7.
- [42] Agbor VB, Cicek N, Sparling R, Berlin A, Levin DB. Biomass pretreatment: fundamentals toward application. *Biotechnol Adv* 2011;29:675–85. doi:10.1016/j.biotechadv.2011.05.005.
- [43] Kratky L, Jirout T. Biomass Size Reduction Machines for Enhancing Biogas Production. *Chem Eng Technol* 2011;34:391–9. doi:10.1002/ceat.201000357.
- [44] Naimi LJ, Sokhansanj S, Mani S, Hoque M, Bi T. Cost and Performance of Woody Biomass Size Reduction for Energy Production. *CSBE/SCGAB 2006 Annu. Conf.*, Edmonton, Alberta: 2006.
- [45] Palmowski LM, Müller JA. Influence of the size reduction of organic waste on their anaerobic digestion. *Water Sci Technol* 2000;41:155–62.
- [46] Tedesco S, Benyounis KY, Olabi a. G. Mechanical pretreatment effects on macroalgae-derived biogas production in co-digestion with sludge in Ireland. *Energy* 2013;61:27–33. doi:10.1016/j.energy.2013.01.071.
- [47] Stamatelatos K, Antonopoulou G, Ntaikou I, Lyberatos G. The Effect of Physical, Chemical,

- and Biological Pretreatments of Biomass on its Anaerobic Digestibility and Biogas Production. In: Mudhoo A, editor. *Biogas Prod. Pretreat. Methods Anaerob. Dig.*, Hoboken, NJ, USA: John Wiley & Sons, Inc.; 2012.
- [48] Chang VS, Burr B, Holtzaple MT. Lime pretreatment of switchgrass. *Appl Biochem Biotechnol* 1997;63-65:3–19. doi:10.1007/BF02920408.
- [49] Kobayashi N, Guilin P, Kobayashi J, Hatano S, Itaya Y, Mori S. A new pulverized biomass utilization technology. *Powder Technol* 2008;180:272–83. doi:10.1016/j.powtec.2007.02.041.
- [50] Cadoche L, López GD. Assessment of size reduction as a preliminary step in the production of ethanol from lignocellulosic wastes. *Biol Wastes* 1989;30:153–7. doi:10.1016/0269-7483(89)90069-4.
- [51] Hideno A, Inoue H, Tsukahara K, Fujimoto S, Minowa T, Inoue S, et al. Wet disk milling pretreatment without sulfuric acid for enzymatic hydrolysis of rice straw. *Bioresour Technol* 2009;100:2706–11. doi:10.1016/j.biortech.2008.12.057.
- [52] Igathinathane C, Womac AR, Miu PI, Yu M, Sokhansanj S, Narayan S. Linear Knife Grid Application for Biomass Size Reduction. *ASABE Annu. Meet.*, Portland: 2006, p. Paper number 066170.
- [53] Mani S, Tabil LG, Sokhansanj S. Grinding performance and physical properties of wheat and barley straws, corn stover and switchgrass. *Biomass and Bioenergy* 2004;27:339–52. doi:10.1016/j.biombioe.2004.03.007.
- [54] Ghorbani Z, Masoumi AA, Hemmat A. Specific energy consumption for reducing the size of alfalfa chops using a hammer mill. *Biosyst Eng* 2010;105:34–40. doi:10.1016/j.biosystemseng.2009.09.006.
- [55] Miu PI, Woma AR, Cannayen I, Sokhansanj S. Analysis of Biomass Comminution and Separation Processes in Rotary Equipment. A Review. *ASABE Annu. Meet.*, Portland: 2006, p. Paper number 066169.
- [56] Silva GGD, Couturier M, Berrin J-G, Buléon A, Rouau X. Effects of grinding processes on enzymatic degradation of wheat straw. *Bioresour Technol* 2012;103:192–200. doi:10.1016/j.biortech.2011.09.073.
- [57] Bitra VSP, Womac AR, Chevanan N, Miu PI, Igathinathane C, Sokhansanj S, et al. Direct mechanical energy measures of hammer mill comminution of switchgrass, wheat straw, and corn stover and analysis of their particle size distributions. *Powder Technol* 2009;193:32–45. doi:10.1016/j.powtec.2009.02.010.
- [58] Schell DJ, Harwood C. Milling of lignocellulosic biomass. *Appl Biochem Biotechnol* 1994;45-46:159–68. doi:10.1007/BF02941795.
- [59] Danish Tech. Inst. Grubben deflaker model GLD 200. 2012.
- [60] Cellwood Machinery AB. Krims disperser type KD n.d.
- [61] Lindmark J, Leksell N, Schnürer A, Thorin E. Effects of mechanical pre-treatment on the biogas yield from ley crop silage. *Appl Energy* 2012;97:498–502. doi:10.1016/j.apenergy.2011.12.066.
- [62] Menind A, Normak A. Study on Grinding Biomass as Pre-treatment for Biogasification. 2008.
- [63] Tsapekos P, Kougias PG, Angelidaki I. Biogas production from ensiled meadow grass; effect of mechanical pretreatments and rapid determination of substrate biodegradability via physicochemical methods. *Bioresour Technol* 2015;182C:329–35. doi:10.1016/j.biortech.2015.02.025.
- [64] Lamsal B, Yoo J, Brijwani K, Alavi S. Extrusion as a thermo-mechanical pre-treatment for lignocellulosic ethanol. *Biomass and Bioenergy* 2010;34:1703–10. doi:10.1016/j.biombioe.2010.06.009.
- [65] Bochmann G, Montgomery LFR. Storage and pre-treatment of substrates for biogas production. *Biogas Handb.*, Elsevier; 2013, p. 85–103. doi:10.1533/9780857097415.1.85.

- [66] Simona M, Gianfranco A, Jody G, Paolo B. Energetic assessment of extrusion as pre-treatment to improve the anaerobic digestion of agricultural ligno-cellulosic biomasses n.d.;1.
- [67] Hjorth M, Gränitz K, Adamsen APS, Møller HB. Extrusion as a pretreatment to increase biogas production. *Bioresour Technol* 2011;102:4989–94. doi:10.1016/j.biortech.2010.11.128.
- [68] Baltic Compass. Pre-treatment for improved biogas production from meadow grass 2013.
- [69] Schwede S, Kowalczyk A, Gerber M, Span R. Influence of different cell disruption techniques on mono digestion of algal biomass. *World Renew. Energy Congr., Linköping University Electronic Press*; 2011, p. 41–7.
- [70] Alzate ME, Muñoz R, Rogalla F, Fdz-Polanco F, Pérez-Elvira SI. Biochemical methane potential of microalgae: influence of substrate to inoculum ratio, biomass concentration and pretreatment. *Bioresour Technol* 2012;123:488–94. doi:10.1016/j.biortech.2012.06.113.
- [71] Kim J, Yoo G, Lee H, Lim J, Kim K, Kim CW, et al. Methods of downstream processing for the production of biodiesel from microalgae. *Biotechnol Adv* 2013;31:862–76. doi:10.1016/j.biotechadv.2013.04.006.
- [72] Martinez-Guerra E, Gude VG, Mondala A, Holmes W, Hernandez R. Microwave and ultrasound enhanced extractive-transesterification of algal lipids. *Appl Energy* 2014;129:354–63. doi:10.1016/j.apenergy.2014.04.112.
- [73] Imai M, Ikari K, Suzuki I. High-performance hydrolysis of cellulose using mixed cellulase species and ultrasonication pretreatment. *Biochem Eng J* 2004;17:79–83. doi:10.1016/S1369-703X(03)00141-4.
- [74] Samson R, Leduy A. Influence of mechanical and thermochemical pretreatments on anaerobic digestion of *Spirulina maxima* algal biomass. *Biotechnol Lett* 1983;5:671–6. doi:10.1007/BF01386360.
- [75] González-Fernández C, Sialve B, Bernet N, Steyer JP. Comparison of ultrasound and thermal pretreatment of *Scenedesmus* biomass on methane production. *Bioresour Technol* 2012;110:610–6. doi:10.1016/j.biortech.2012.01.043.
- [76] Braeutigam P, Franke M, Ondruschka B. Effect of ultrasound amplitude and reaction time on the anaerobic fermentation of chicken manure for biogas production. *Biomass and Bioenergy* 2014;63:109–13. doi:10.1016/j.biombioe.2014.02.007.
- [77] Braguglia CM, Gagliano MC, Rossetti S. High frequency ultrasound pretreatment for sludge anaerobic digestion: effect on floc structure and microbial population. *Bioresour Technol* 2012;110:43–9. doi:10.1016/j.biortech.2012.01.074.
- [78] Castrillón L, Fernández-Nava Y, Ormaechea P, Marañón E. Optimization of biogas production from cattle manure by pre-treatment with ultrasound and co-digestion with crude glycerin. *Bioresour Technol* 2011;102:7845–9. doi:10.1016/j.biortech.2011.05.047.
- [79] Gallipoli A, Gianico A, Gagliano MC, Braguglia CM. Potential of high-frequency ultrasounds to improve sludge anaerobic conversion and surfactants removal at different food/inoculum ratio. *Bioresour Technol* 2014;159:207–14. doi:10.1016/j.biortech.2014.02.084.
- [80] Ahamed N. Ultrasonic pretreatment of energy cane bagasse for biofuel production. Louisiana State University, 2014.
- [81] Patil P, Reddy H, Muppaneni T, Ponnusamy S, Sun Y, Dailey P, et al. Optimization of microwave-enhanced methanolysis of algal biomass to biodiesel under temperature controlled conditions. *Bioresour Technol* 2013;137:278–85. doi:10.1016/j.biortech.2013.03.118.
- [82] Passos F, Solé M, García J, Ferrer I. Biogas production from microalgae grown in wastewater: Effect of microwave pretreatment. *Appl Energy* 2013;108:168–75. doi:10.1016/j.apenergy.2013.02.042.
- [83] Tyagi VK, Lo S-L. Microwave irradiation: A sustainable way for sludge treatment and resource recovery. *Renew Sustain Energy Rev* 2013;18:288–305. doi:10.1016/j.rser.2012.10.032.
- [84] CMF. Techcommentary: Industrial microwave heating applications 1993;4.

- [85] Eskicioglu C, Kennedy KJ, Droste RL. Enhanced disinfection and methane production from sewage sludge by microwave irradiation. *Desalination* 2009;248:279–85. doi:10.1016/j.desal.2008.05.066.
- [86] Kuglarz M, Karakashev D, Angelidaki I. Microwave and thermal pretreatment as methods for increasing the biogas potential of secondary sludge from municipal wastewater treatment plants. *Bioresour Technol* 2013;134:290–7. doi:10.1016/j.biortech.2013.02.001.
- [87] Sapci Z. The effect of microwave pretreatment on biogas production from agricultural straws. *Bioresour Technol* 2013;128:487–94. doi:10.1016/j.biortech.2012.09.094.
- [88] Banik S, Bandyopadhyay S, Ganguly S, Dan D. Effect of microwave irradiated *Methanosarcina barkeri* DSM-804 on biomethanation. *Bioresour Technol* 2006;97:819–23. doi:10.1016/j.biortech.2005.04.032.
- [89] Li L, Kong X, Yang F, Li D, Yuan Z, Sun Y. Biogas production potential and kinetics of microwave and conventional thermal pretreatment of grass. *Appl Biochem Biotechnol* 2012;166:1183–91. doi:10.1007/s12010-011-9503-9.
- [90] Jackowiak D, Frigon JC, Ribeiro T, Pauss A, Guiot S. Enhancing solubilisation and methane production kinetic of switchgrass by microwave pretreatment. *Bioresour Technol* 2011;102:3535–40. doi:10.1016/j.biortech.2010.11.069.
- [91] Carrère H, Dumas C, Battimelli A, Batstone DJ, Delgenès JP, Steyer JP, et al. Pretreatment methods to improve sludge anaerobic degradability: a review. *J Hazard Mater* 2010;183:1–15. doi:10.1016/j.jhazmat.2010.06.129.
- [92] Menardo S, Airoidi G, Balsari P. The effect of particle size and thermal pre-treatment on the methane yield of four agricultural by-products. *Bioresour Technol* 2012;104:708–14. doi:10.1016/j.biortech.2011.10.061.
- [93] Bohutskyi P, Bouwer E. Biogas Production from Algae and Cyanobacteria Through Anaerobic Digestion. A Review, Analysis, and Research Needs. In: Lee JW, editor. *Adv. Biofuels Bioprod.* Vol 1, New York, NY: Springer New York; 2013, p. 873–975. doi:10.1007/978-1-4614-3348-4.
- [94] Montgomery LFR, Bochmann G. Pretreatment of feedstock for enhanced biogas production. Tulln, Austria: 2014.
- [95] Fernández-Cegri V, Angeles De la Rubia M, Raposo F, Borja R. Effect of hydrothermal pretreatment of sunflower oil cake on biomethane potential focusing on fibre composition. *Bioresour Technol* 2012;123:424–9. doi:10.1016/j.biortech.2012.07.111.
- [96] Ziemiński K, Romanowska I, Kowalska-Wentel M, Cyran M. Effects of hydrothermal pretreatment of sugar beet pulp for methane production. *Bioresour Technol* 2014;166:187–93. doi:10.1016/j.biortech.2014.05.021.
- [97] López González LM, Pereda Reyes I, Dewulf J, Budde J, Heiermann M, Vervaeren H. Effect of liquid hot water pre-treatment on sugarcane press mud methane yield. *Bioresour Technol* 2014;169:284–90. doi:10.1016/j.biortech.2014.06.107.
- [98] Bohutskyi P, Betenbaugh MJ, Bouwer EJ. The effects of alternative pretreatment strategies on anaerobic digestion and methane production from different algal strains. *Bioresour Technol* 2014;155:366–72. doi:10.1016/j.biortech.2013.12.095.
- [99] Bauer A, Lizasoain J, Theuretzbacher F, Agger JW, Rincón M, Menardo S, et al. Steam explosion pretreatment for enhancing biogas production of late harvested hay. *Bioresour Technol* 2014;166:403–10. doi:10.1016/j.biortech.2014.05.025.
- [100] Wang F, Hidaka T, Tsumori J. Enhancement of anaerobic digestion of shredded grass by co-digestion with sewage sludge and hyperthermophilic pretreatment. *Bioresour Technol* 2014;169:299–306. doi:10.1016/j.biortech.2014.06.053.
- [101] General Biomass. General Biomass 2013. <http://www.generalbiomass.com/cellethanol1.htm> (accessed July 31, 2015).
- [102] Mendez L, Mahdy A, Timmers RA, Ballesteros M, González-Fernández C. Enhancing

- methane production of *Chlorella vulgaris* via thermochemical pretreatments. *Bioresour Technol* 2013;149:136–41. doi:10.1016/j.biortech.2013.08.136.
- [103] Cho S, Park S, Seon J, Yu J, Lee T. Evaluation of thermal, ultrasonic and alkali pretreatments on mixed-microalgal biomass to enhance anaerobic methane production. *Bioresour Technol* 2013;143:330–6. doi:10.1016/j.biortech.2013.06.017.
- [104] Behera S, Arora R, Nandhagopal N, Kumar S. Importance of chemical pretreatment for bioconversion of lignocellulosic biomass. *Renew Sustain Energy Rev* 2014;36:91–106. doi:10.1016/j.rser.2014.04.047.
- [105] Lope Tabil PA and MK. Biomass Feedstock Pre-Processing – Part 1: Pre-Treatment. In: Dos Santos Bernardes MA, editor. *Biofuel's Eng. Process Technol.*, InTech; 2011, p. 411–38. doi:10.5772/961.
- [106] Zheng Y, Zhao J, Xu F, Li Y. Pretreatment of lignocellulosic biomass for enhanced biogas production. *Prog Energy Combust Sci* 2014;42:35–53. doi:10.1016/j.peccs.2014.01.001.
- [107] Khor WC, Rabaey K, Vervaeren H. Low temperature calcium hydroxide treatment enhances anaerobic methane production from (extruded) biomass. *Bioresour Technol* 2015;176:181–8. doi:10.1016/j.biortech.2014.11.037.
- [108] Kiril Mert B, Yonar T, Yalili Kiliç M, Kestioğlu K. Pre-treatment studies on olive oil mill effluent using physicochemical, Fenton and Fenton-like oxidations processes. *J Hazard Mater* 2010;174:122–8. doi:10.1016/j.jhazmat.2009.09.025.
- [109] Michalska K, Miazek K, Krzystek L, Ledakowicz S. Influence of pretreatment with Fenton's reagent on biogas production and methane yield from lignocellulosic biomass. *Bioresour Technol* 2012;119:72–8. doi:10.1016/j.biortech.2012.05.105.
- [110] Kumar P, Barrett DM, Delwiche MJ, Stroeve P. Methods for Pretreatment of Lignocellulosic Biomass for Efficient Hydrolysis and Biofuel Production. *Ind Eng Chem Res* 2009;48:3713–29. doi:10.1021/ie801542g.
- [111] Wen B, Yuan X, Li QX, Liu J, Ren J, Wang X, et al. Comparison and evaluation of concurrent saccharification and anaerobic digestion of Napier grass after pretreatment by three microbial consortia. *Bioresour Technol* 2014. doi:10.1016/j.biortech.2014.10.043.
- [112] López MJ, Suárez-Estrella F, Vargas-García MC, López-González JA, Verstichel S, Debeer L, et al. Biodelignification of agricultural and forest wastes: Effect on anaerobic digestion. *Biomass and Bioenergy* 2013;58:343–9. doi:10.1016/j.biombioe.2013.10.021.
- [113] Dewar WA, McDonald P, Whittenbury R. The hydrolysis of grass hemicelluloses during ensilage. *J Sci Food Agric* 1963;14:411–7. doi:10.1002/jsfa.2740140610.
- [114] Buxton DR, Muck RE. *Silage science and technology*. Madison, WI : American Society of Agronomy; 2003.
- [115] Sieker T, Neuner A, Dimitrova D, Tippkötter N, Muffler K, Bart H-J, et al. Ethanol production from grass silage by simultaneous pretreatment, saccharification and fermentation: First steps in the process development. *Eng Life Sci* 2011;11:436–42. doi:10.1002/elsc.201000160.
- [116] Ambye-Jensen M, Johansen KS, Didion T, Kádár Z, Schmidt JE, Meyer AS. Ensiling as biological pretreatment of grass (*Festulolium Hykor*): The effect of composition, dry matter, and inocula on cellulose convertibility. *Biomass and Bioenergy* 2013;58:303–12. doi:10.1016/j.biombioe.2013.08.015.
- [117] Bywater A. *A Review of Anaerobic Digestion Plants on UK Farms*. Warwickshire: n.d.
- [118] European Biogas Association, MT-Energie. *Waste to Energy in England*. Brussels, Belgium: 2013.
- [119] European Biogas Association. *The first biomethane plant running on hop silage in Oberlauterbach-Hallertau, Germany*. Brussels, Belgium: 2013.
- [120] DSM Biogas, Association EB. *Driving efficiency improvements through MethaPlus® L100 enzyme*. Brussels, Belgium: 2013.

- [121] The National Non-Food Crops Centre. Official UK Biogas Map n.d. <http://www.biogas-info.co.uk/>.
- [122] Lukehurst CT. UK Country Report. Berlin (Germany): 2015.
- [123] EBA - European Biogas Association. Biogas. Simply the best. Brussels, Belgium: 2011.
- [124] EurObserv'ER. Biogas Barometer. 2014.
- [125] Groom E, Orozco A. Northern Ireland. Biogas Research Action Plan 2020. Belfast: 2014.
- [126] The National Non-Food Crops Centre. Incentives. Anaerobic Digestion 2016. <http://www.biogas-info.co.uk/about/incentives/> (accessed January 27, 2016).