

(q, t) -KZ equations for quantum toroidal algebra and Nekrasov partition functions on ALE spaces

Hidetoshi Awata,^a Hiroaki Kanno,^{a,b} Andrei Mironov,^{c,d,e,f} Alexei Morozov,^{d,e,f}
 Kazuma Suetake^a and Yegor Zenkevich^{d,g,h}

^a Graduate School of Mathematics, Nagoya University,
 Nagoya, 464-8602, Japan

^b KMI, Nagoya University, Nagoya, 464-8602, Japan

^c Lebedev Physics Institute, Moscow 119991, Russia

^d ITEP, Moscow 117218, Russia

^e Institute for Information Transmission Problems,
 Moscow 127994, Russia

^f National Research Nuclear University MEPhI,
 Moscow 115409, Russia

^g Dipartimento di Fisica, Università di Milano-Bicocca,
 Piazza della Scienza 3, I-20126 Milano, Italy

^h INFN, sezione di Milano-Bicocca, I-20126 Milano, Italy

E-mail: awata@math.nagoya-u.ac.jp, kanno@math.nagoya-u.ac.jp,
mironov@lpi.ru, morozov@itep.ru, m14020z@math.nagoya-u.ac.jp,
yegor.zenkevich@gmail.com

ABSTRACT: We describe the general strategy for lifting the Wess-Zumino-Witten model from the level of one-loop Kac-Moody $U_q(\widehat{\mathfrak{g}})_k$ to generic quantum toroidal algebras. A nearly exhaustive presentation is given for both $U_{q,t}(\widehat{\mathfrak{gl}}_1)$ and $U_{q,t}(\widehat{\mathfrak{gl}}_n)$ when the screenings do not exist and thus all the correlators are purely algebraic, i.e. do not include additional hypergeometric type integrations/summations.

Generalizing the construction of the intertwiner (refined topological vertex) of the Ding-Iohara-Miki (DIM) algebra, we obtain the intertwining operators of the Fock representations of the quantum toroidal algebra of type A_n . The correlation functions of these operators satisfy the (q, t) -Knizhnik-Zamolodchikov (KZ) equation, which features the \mathcal{R} -matrix. The matching with the Nekrasov function for the instanton counting on the ALE space is worked out explicitly.

We also present an important application of the DIM formalism to the study of $6d$ gauge theories described by the double elliptic integrable systems. We show that the modular and periodicity properties of the gauge theories are neatly explained by the network matrix models providing solutions to the elliptic (q, t) -KZ equations.

KEYWORDS: Conformal and W Symmetry, Conformal Field Theory, Supersymmetric Gauge Theory, Topological Strings

ARXIV EPRINT: [1712.08016](https://arxiv.org/abs/1712.08016)

Contents

1	Introduction and outline	1
1.1	Strategic objectives	2
1.1.1	Abelian (q, t) -KZ for general central charge	2
1.1.2	Non-Abelian (q, t) -KZ equation for unit central charge and its algebraic solutions	2
1.1.3	Modular and periodic properties of $6d$ gauge theories	3
1.2	Tactics of computations	5
1.2.1	DIM algebra	5
1.2.2	(q, t) -KZ equations	5
2	(q, t)-KZ equation for $U_{q,t}(\widehat{\mathfrak{gl}}_1)$ with general central charge	7
3	Quantum toroidal algebra $U_{q,\vartheta}(\widehat{\mathfrak{gl}}_n)$ and Fock representation	8
3.1	Vertical representation and color selection rule	11
3.2	Vertex operators and horizontal representation	13
4	Construction of the intertwining operator	15
4.1	Structure of the intertwining operator	16
4.2	Vacuum component of the intertwiner	19
4.3	Zero mode part and intertwining relations	22
4.4	Network matrix model and screening operator	25
4.5	Abelianization of the DIM intertwiner	26
5	Level one KZ equation and Nekrasov function for ALE space	30
5.1	Shift operator and \mathcal{R} -matrix	31
5.2	Relation to K -theoretic Nekrasov function for ALE space	34
5.3	Level one KZ equation for $U_{q,\vartheta}(\widehat{\mathfrak{gl}}_n)$	35
5.4	Nekrasov function as algebraic solutions to KZ equation	37
6	Modular and periodic properties of double elliptic systems from $U_{q,t}(\widehat{\mathfrak{gl}}_1)$ network matrix model	37
6.1	Adjoint mass shift	40
6.2	Modular transformations	45
6.2.1	U(1) theory	46
6.2.2	U(N) theory	47
7	Discussion	48
A	Combinatorics of the normalization factor	49
B	Zero mode factor of the intertwiner	51
C	Recursion relation for Nekrasov function	53

D Symmetry of Nekrasov function	55
E From colored Young diagrams to quotients	57
E.1 Quotients of the Young diagram	57
E.2 Decomposing characters	58

1 Introduction and outline

Conformal field theories [1–4] (CFT) are connected by the AGT relations [5–7]¹ to the low-energy supersymmetric Yang-Mills theories [25, 26]² and therefore are once again at the center of attention in modern theoretical and mathematical physics. One of the immediate results of this is a new interest in various extensions and deformations, needed to match higher-dimensional generalizations on the Yang-Mills side. In conformal field theory, the central personage is the Wess-Zumino-Witten theory [35–39] (WZW), which is the theory with an extended Kac-Moody symmetry, of which all other important (if not all) models, including Liouville and Toda theories, are various reductions. This model and its reductions are straightforwardly handled by various versions of the free-field methods [40–46]. Nowadays problem is the lifting of this model to the level of adequately extended toroidal algebras (which corresponds to lifting from 4d to 6d on the Yang-Mills side of the AGT relations) and development of an efficient generalization of the free-field formalism to describe the resulting “network matrix models” [47–53]. This paper is a continuation of our study of this problem in [54–57].³ Mathematically the problem is that of the full-fledged representation theory of the Ding-Iohara-Miki algebra [69, 70] and its various generalizations [71–84], which we also refer to as DIM. In this paper, we focus on a small corner of this very broad area and describe two generalizations and one application of the (q, t) -KZ equations introduced in [57].

The plan of the paper is the following: in section 2, we propose a generalization of the (q, t) -KZ for $U_{q,t}(\widehat{\mathfrak{gl}}_1)$ with arbitrary central charge. In section 3, we describe the quantum toroidal algebra and its vertical and horizontal (Fock) representations that we deal with in the paper. In section 4, we construct the operators that intertwine these representations. In section 5, we derive the (level one) Knizhnik-Zamolodchikov equation for the correlation functions of these intertwining operators, eqs. (5.49)–(5.50). In section 6, we use solutions to the elliptic KZ equations to obtain modular properties of the $6d$ $U(N)$ gauge theories with adjoint hypermultiplet of mass m compactified on torus T^2 derived in [85] basing on the description in terms of double elliptic integrable systems. Concluding remarks in section 7 are followed by appendices A–E that contain various technical details.

With the help of all the technical exercises, we would like to demonstrate a simple idea: that the DIM intertwiner formalism is not just an interesting toy but an important tool, which can find its use in gauge theories, as well as in other related fields.

¹For various AGT-related issues, see [8–24].

²Integrability behind these theories was discovered in [27] and studied in [28–30], see also [31] for a review and [32–34] for these theories in the Ω -background.

³It goes in parallel with other important efforts in the same direction, see [58–68].

In the remaining part of the introduction, we first describe these three objectives (section 1.1) and then give some general description of the methods by which we are going to achieve them (section 1.2).

1.1 Strategic objectives

1.1.1 Abelian (q, t) -KZ for general central charge

The (q, t) -KZ equation was introduced in [57].⁴ Its first generalization relaxes the condition on the central charge of the “horizontal” representation, i.e. we no longer require this space to be the Fock space, but instead assume that it has a general central charge (k, N) . The vertical representations are still assumed to be Fock spaces with central charge $(0, 1)$. In this case, the modification of the KZ equation is not hard to guess and the solution to the equations can also be explicitly obtained. The solution is algebraic, i.e. no integrals of screening charges appear in the answer.⁵

1.1.2 Non-Abelian (q, t) -KZ equation for unit central charge and its algebraic solutions

The second generalization of the (q, t) -KZ equation is the much sought non-Abelian version, that for the algebra $U_{q,t}(\widehat{\mathfrak{gl}}_n)$. In order to derive the (q, t) -KZ equation, we first construct the intertwiners for the horizontal and vertical Fock representations with unit central charges, i.e. $(1, N)$ and $(0, 1)$. The intertwining relations for the intertwiners are determined by the coproduct structure of the quantum toroidal algebra $U_{q,t}(\widehat{\mathfrak{gl}}_n)$. The same strategy as in the $\widehat{\mathfrak{gl}}_1$ case [80] can be used, and the λ -component of intertwiner $\Phi_\lambda(v)$ can be expressed as the normal ordered product of the currents $E_i(z)$ over the boxes of the Young diagram λ , where the argument z is shifted according to the position of the boxes. One of the important differences with the $\widehat{\mathfrak{gl}}_1$ case is the appearance of the zero mode factor in the free field realization of the horizontal Fock representation. The zero modes are group algebra valued and their commutation relation is crucial for obtaining the correct intertwining relations. Another new aspect of $U_{q,t}(\widehat{\mathfrak{gl}}_n)$ is the “color selection” rules. Some combinatorial arguments for such rules are required, especially when we establish the relation to the Nekrasov partition function for gauge theories on the ALE space ALE_n of type A_n , which is a resolution of the orbifold $\mathbb{C}^2/\mathbb{Z}_n$.

Once we obtain the intertwiners, we can introduce the \mathcal{T} -operator and the \mathcal{R} -matrix in a similar way to [55, 56] and write down the (q, t) -KZ equations [57], where the \mathcal{R} -matrix is featured as the connection matrix for \mathfrak{q} -shift of the argument of the intertwiner. The \mathcal{R} -matrix can be identified with \mathfrak{q} -difference of the operator product expansion (OPE) factor of the intertwiners and is essentially diagonal. Since the OPE factor of the intertwiners agrees with the Nekrasov factor (the bi-fundamental contribution to the partition function), we have a fundamental relationship between the \mathcal{R} -matrix and the Nekrasov partition function. Basing on this relation, we can find explicit solutions to our (q, t) -KZ equations,

⁴See [86–95] for the standard KZ and q KZ equations and [66–68] for their extensions.

⁵For solutions of various KZ equations, see original papers [96–103] and a review in [87].

which turn out to be the Nekrasov functions for 5d gauge theories on $ALE_n \times S^1$. Since we consider only the setup with unit central charges, all the solutions to the KZ equations are still algebraic.

Moreover, for the unrefined case with unit central charges, we actually demonstrate that the intertwiners of $U_{q,q}(\widehat{\mathfrak{gl}}_n)$ essentially factorize into products of noninteracting $U_{q^n,q^n}(\widehat{\mathfrak{gl}}_1)$ intertwiners. The most complicated and interesting case of representations with general central charges in non-Abelian DIM algebra is left for the future.

1.1.3 Modular and periodic properties of 6d gauge theories

To demonstrate the effectiveness of DIM formalism, we are going to describe an important application of network matrix models to 6d gauge theories with adjoint matter compactified on the torus T^2 . These theories are, in a certain sense, the highest step in the hierarchy of gauge theories with eight supercharges, for which the Seiberg-Witten and Nekrasov solutions are available. Within the Seiberg-Witten paradigm, they are described by the double elliptic integrable systems with both coordinates and momenta entering the Hamiltonians through elliptic functions [104–106]. Despite the recent important progress [107–109], these systems are still quite mysterious and require more explicit description. In particular, the behavior of the 6d gauge theories and double elliptic systems under the S -duality and the modular transformations of the compactification torus is quite peculiar. It turns out that the modular transformation rule *mixes* the complex structure of the compactification torus with the complexified coupling in a very specific way [85]. We will explain this behavior using the network matrix model of the Abelian DIM algebra $U_{q,t}(\widehat{\mathfrak{gl}}_1)$ corresponding to the gauge theories in question. Adding the adjoint matter in the gauge theory corresponds to the *compactification* of the network diagram in the horizontal direction, and an extra sixth dimension also implies the compactification of the vertical direction. Thus, we get the “doubly compactified” network, which geometrically corresponds to a CY three-fold with an elliptic fibration. In the algebraic language, the double compactification corresponds to taking the trace of the product of the intertwiners over both the vertical and the horizontal representations. The network of intertwiners is modeled after the Seiberg-Witten Type IIB (p, q) -brane diagram associated with the gauge theory. The brane diagram for the case of $U(2)$ gauge theory is shown in figure 1, and the network of intertwiners, in figure 2.

The picture of DIM intertwiners corresponding to the double elliptic system is given by the intersection of one horizontal and N vertical lines. Notice that the picture of intertwiners is rotated by $\frac{\pi}{2}$ with respect to the Seiberg-Witten (p, q) -brane diagram (figure 1) usually given in the literature. Of course, this does not change the answer since NS5 and D5 branes of Type IIB string theory are S -dual. The ends of the lines should be identified with each other so that the picture is essentially drawn on a two-dimensional torus.

The “fugacities” Q, Q_{\perp} can be also understood as the twisting parameters of the fibration giving the background for the M-theory, which hints at possible duality between them and equivariant parameters q and t of the Ω -background. Notice that we set the preferred direction (determining the coproduct structure and thus the intertwiners) to be vertical. However, the final answer for the character/partition function is independent of

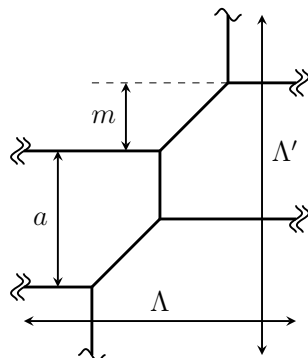


Figure 1. Compactified (p, q) -brane web corresponding to the $6d$ $U(2)$ gauge theory with adjoint hypermultiplet compactified on T^2 . The wavy (double wavy) lines are understood to be identified with each other. The parameters of the gauge theory are encoded in the distances between the branes: a is the Coulomb modulus, m is the mass of the adjoint field, Λ is the exponentiated complexified coupling, and Λ' is the exponentiated complex structure modulus of the compactification torus T^2 .

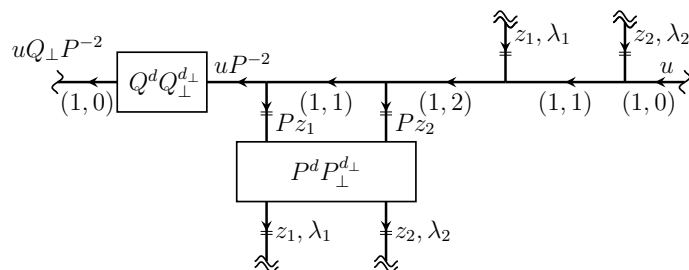


Figure 2. Compactified network of intertwiners corresponding to the same $6d$ $U(2)$ gauge theory with adjoint hypermultiplet, as in figure 1. The grading operators $Q^d Q_{\perp}^{d_{\perp}}$ and $P^d P_{\perp}^{d_{\perp}}$ count the states of the Fock representations in the same way as the Boltzman factor $e^{-\beta H}$ counts the states in a quantum mechanical partition function.

the preferred direction. In these conventions, the trace over the horizontal representation can be taken straightforwardly giving a combination of theta-functions. Moreover, from our previous investigations we recall that precisely this trace appeared as a solution to *elliptic* (q, t) -KZ equations. Since the result is expressed through the theta-functions, we can use it to effectively study the modular properties of the partition function. Of course, this strategy works only for modular transformation on the *compactification* torus, but not for the *S*-duality. The *S*-duality transformation corresponds to the modular transformation of the *vertical* compactified direction, where the trace is a lot harder to compute. However, we can use the slicing invariance of the partition function and safely change the preferred direction to the horizontal one. This would allow us to analyze the *S*-duality transformation as easily as the modular transformation.

Using the intertwiner picture, we can also analyze periodicity properties of the partition function. As an example consider moving the incoming vertical lines around the circle (i.e. under the trace). The lines necessarily have to pass through the grading operators $Q^d Q_{\perp}^{d_{\perp}}$. The action of grading operators gives a shift in the positions of the incoming vertical

lines with respect to the outgoing vertical lines. Investigating this move in detail, we find that it is actually accompanied by a certain change in the complexified coupling of the gauge theory.

1.2 Tactics of computations

1.2.1 DIM algebra

DIM algebra $U_{q,t}(\widehat{\mathfrak{g}})_{(k_1, k_2)}$ is a quantum toroidal algebra (hence, two hats) with two central elements fixed to levels k_1 and k_2 , and two deformation parameters q and t ; we usually consider $\mathfrak{g} = \mathfrak{gl}_n$. The physical model, associated with it in just the same way as the WZW model is associated with the Kac-Moody algebra $U(\widehat{G})_k$ is introduced in [50–54] and named *network model*. We refer the reader to these papers for terminology and basic logic.⁶ The basic ingredients of construction of the KZ equation for the network models generalizing [88] and used in [57] are:

- **“Horizontal” representations** which is given in terms of operators acting in the infinite dimensional vector space $\mathcal{F}_{(k_1, M)}(u)$
- **“Vertical” representations** given by combinatorial formulas in some basis in another infinite dimensional space $\mathcal{F}_{(0, k_2)}(u)$
- **Intertwiners.** The intertwiners $\Psi^\lambda, \Psi_\lambda^*$ carry the index λ (e.g. a set of N Young diagrams or a plain partition) which labels the element of the vertical representation space:

$$\begin{aligned} \Psi_{(0, k_2)}^\lambda(z) &: \mathcal{F}_{(k_1, M)}(u) \otimes \mathcal{F}_{(0, k_2)}(z) \longrightarrow \mathcal{F}_{(k_1, M+k_2)}(uz), \\ \Psi_{\lambda(0, k_2)}^*(z) &: \mathcal{F}_{(k_1, M)}(u) \longrightarrow \mathcal{F}_{(k_1, M-k_2)}(u/z) \otimes \mathcal{F}_{(0, k_2)}(z). \end{aligned} \tag{1.1}$$

They depend on the choice of the “vertical” coproduct Δ^{vert} . In the horizontal direction, they can be easily multiplied: $\Psi(z_1)\Psi(z_2)$ and $\Psi(z_2)\Psi(z_1)$ are just the compositions of operators.

1.2.2 (q, t) -KZ equations

In this paper, we concentrate on the case when only algebraic solutions are present. In this setup, we can supplement the items from the list above with some more concrete properties.

⁶For other related references, see [69–84] for various aspects of the DIM algebras and [66–68] for a K -theory approach.

Namely, the short list of ingredients for the derivation of the (q, t) -KZ equation for the non-Abelian DIM algebra is:

1. **Shift identity.** We need to build up the shift operator, whose action on the intertwiner can be rewritten as the product of two \mathcal{T} -operators:

$$p^{z\partial_z}\Psi^\lambda(z) = (\mathcal{T}_-^\lambda(z))^{-1}\Psi^\lambda(z)\mathcal{T}_+^\lambda(z). \tag{1.2}$$

This requirement by itself can be trivially satisfied, since we can simply write

$$(\mathcal{T}_-^\lambda(z))^{-1} = \Psi_-^\lambda(pz)(\Psi_-^\lambda(z))^{-1}, \tag{1.3}$$

$$\mathcal{T}_+^\lambda(z) = (\Psi_+^\lambda(z))^{-1}\Psi_+^\lambda(pz), \tag{1.4}$$

where Ψ_\pm denote the creation and annihilation parts of the intertwiner. However, we also need \mathcal{T}_\pm to satisfy nontrivial \mathcal{RTT} identities.

2. **Commutation of the \mathcal{T} -operators.** We need the commutation property as follows

$$\mathcal{T}^\mu(z)\Psi^\lambda(w) = \mathcal{R}_{\lambda\mu}\left(\frac{z}{w}\right)\Psi^\lambda(w)\mathcal{T}^\mu(z). \tag{1.5}$$

To get these identities, we need first to find the non-Abelian \mathcal{R} -matrix.

3. **Diagonal \mathcal{R} -matrix.** One way to obtain the \mathcal{R} -matrix is to commute a pair of intertwiners:

$$\Psi^\lambda(z)\Psi^\mu(w) = \mathcal{R}_{\lambda\mu}\left(\frac{z}{w}\right)\Psi^\mu(w)\Psi^\lambda(z). \tag{1.6}$$

The commutation can be done using the free boson formalism.

4. **Vacuum property of \mathcal{T} -operators.** After we get the shift and commutation identities, we can act with the shift operator on a string of intertwiners and get an insertion of a pair of the \mathcal{T} -operators. We can then move them to the ends of the string using the commutation identities. The last step in the derivation of the equation is to ensure that the \mathcal{T} -operators annihilate the vacuum:

$$\mathcal{T}_+|\emptyset\rangle = |\emptyset\rangle, \quad \langle\emptyset|\mathcal{T}_- = \langle\emptyset| \tag{1.7}$$

Concretely for the non-Abelian DIM algebra, the intertwiner is built as a normal ordered product of elements $E_i(z)$ taken at certain discrete points specified by the Young diagram on the vertical leg. We can derive the shift identity for each operator $E_i(z)$ in the product separately and then account for the normal ordering constants. We have

$$E_i(q^2z) = (\mathcal{T}_-^i(z))^{-1}E_i(z)\mathcal{T}_+^i(q^2z) \tag{1.8}$$

where

$$\mathcal{T}_-^i(z) = E_i(z)F_i(q^{-1}z), \tag{1.9}$$

$$\mathcal{T}_+^i(z) = E_i(z)F_i(qz). \tag{1.10}$$

The \mathcal{T} -operators for the intertwiners are normal ordered products of the basic \mathcal{T} -operators (1.9), (1.10) over the boxes of the Young diagram. It is important that the \mathcal{T} -operators in the non-Abelian case are still diagonal in the vertical Young diagram, so that no extra sums over diagrams appear.

2 (q, t) -KZ equation for $U_{q,t}(\widehat{\mathfrak{gl}}_1)$ with general central charge

The q -KZ equation for the conventional quantum affine algebra [88] contains an extra parameter, which is missing in the DIM case we have considered so far. This parameter is the central charge of the “horizontal” (highest weight) representation running in the conformal block. It enters the shift operator and also the shifts of the \mathcal{R} -matrices. The conformal blocks of DIM are combinations of intertwiners acting in horizontal and vertical Fock spaces. These representations have definite central charges of the form either $(0, 1)$ or $(1, N)$. The shift operator determined by the first central charge of the horizontal representation is therefore fixed and reads $\left(\frac{q}{t}\right)^{z_k \partial_{z_k}}$.

In this section, we will try to extend the central charge parameter to arbitrary values and find the corresponding solutions to the Abelian (q, t) -KZ. Unfortunately, the intertwiners for general representations are not known, so the solution cannot be found as easily as that for the Fock spaces. However, the structure of the KZ equation is very rigid and seems to give the only way of introducing the central charge parameter into it. We will try to follow this route and investigate the resulting solutions for the conformal blocks.

Let us consider the combination of intertwiners similar to the Fock space case, but with an arbitrary representation living on the horizontal line. The shift operator thus becomes $p^{z_k \partial_{z_k}}$ with an arbitrary parameter p . The vertical representations remain to be $(0, 1)$ Fock spaces. This implies that the \mathcal{R} -matrices featuring in the KZ equation are still the same (e.g. they are diagonal), and the new parameter p can enter only as a shift of their arguments.

Having these two arguments, we can conjecture the (q, t) -KZ equation with the parameter p encoding the central charges of the horizontal representation in the simplest case of two vertical incoming lines:

$$p^{z_1 \partial_{z_1}} \mathcal{G}^{\lambda_1 \lambda_2}(z_1, z_2) = \widetilde{\mathcal{R}}_{\lambda_1 \lambda_2} \left(\frac{z_1}{z_2} \right) \mathcal{G}^{\lambda_1 \lambda_2}(z_1, z_2), \tag{2.1}$$

$$p^{z_2 \partial_{z_2}} \mathcal{G}^{\lambda_1 \lambda_2}(z_1, z_2) = \frac{1}{\widetilde{\mathcal{R}}_{\lambda_1 \lambda_2} \left(\frac{z_1}{pz_2} \right)} \mathcal{G}^{\lambda_1 \lambda_2}(z_1, z_2) \tag{2.2}$$

The solution up to a function independent of the Young diagrams is given by

$$\mathcal{G}^{\lambda_1 \lambda_2}(z_1, z_2) = f \left(\frac{z_1}{z_2} \right) \prod_{k \geq 0} \frac{G_{\lambda_1 \lambda_2} \left(\frac{q}{t} p^k \frac{z_1}{z_2} \right)}{G_{\lambda_1 \lambda_2} \left(p^k \frac{z_1}{z_2} \right)} \tag{2.3}$$

where $G_{\lambda\mu}(z)$ can be found, e.g., in [56, eq. (18)]. Obviously for $p = \frac{q}{t}$ the usual solution $\frac{1}{G_{\lambda_1 \lambda_2} \left(\frac{z_1}{z_2} \right)}$ for the Fock space is recovered. The solution for general p contains an infinite product, which reminds us of the solution to the *elliptic* (q, t) -KZ equation. This similarity looks mysterious and indeed might turn out to be only superficial.

3 Quantum toroidal algebra $U_{\mathfrak{q}, \mathfrak{d}}(\widehat{\mathfrak{gl}}_n)$ and Fock representation

For the future convenience, we introduce here the basic definitions and notation for the quantum toroidal algebras.

The quantum toroidal algebra $U_{\mathfrak{q}, \mathfrak{d}}(\widehat{\mathfrak{gl}}_n)$ has two deformation parameters⁷ $\mathfrak{q}, \mathfrak{d}$, which are associated with the Cartan matrix A of type $A_{n-1}^{(1)}$, $a_{ij} = 2\bar{\delta}_{i,j} - (\bar{\delta}_{i-1,j} + \bar{\delta}_{i+1,j})$ and a skew-symmetric matrix M with $m_{ij} = \bar{\delta}_{i-1,j} - \bar{\delta}_{i+1,j}$, where $\bar{\delta}$ is the Kronecker delta modulo n . In this paper, we consider the generic case of ($n > 2$). Explicitly the matrices A and M are given by

$$A = \begin{pmatrix} 2 & -1 & 0 & \cdots & 0 & -1 \\ -1 & 2 & -1 & 0 & \cdots & 0 \\ 0 & -1 & 2 & \ddots & \ddots & \vdots \\ \vdots & \ddots & \ddots & \ddots & \ddots & 0 \\ 0 & \ddots & \ddots & \ddots & 2 & -1 \\ -1 & 0 & \cdots & 0 & -1 & 2 \end{pmatrix}, \quad M = \begin{pmatrix} 0 & -1 & 0 & \cdots & 0 & 1 \\ 1 & 0 & -1 & 0 & \cdots & 0 \\ 0 & 1 & 0 & \ddots & \ddots & \vdots \\ \vdots & \ddots & \ddots & \ddots & \ddots & 0 \\ 0 & \ddots & \ddots & \ddots & 0 & -1 \\ -1 & 0 & \cdots & 0 & 1 & 0 \end{pmatrix}. \quad (3.1)$$

It seems difficult to introduce an analogue of the skew-symmetric matrix M for other affine Lie algebras $\widehat{\mathfrak{g}}$, and it is not known if the toroidal algebra for general affine algebra allows a two parameter deformation. As we will see below, if the second deformation parameter is trivial ($\mathfrak{d} = 1$), the structure function $g_{ij}(z, w)$ coincides with that for the quantum affinization of $U_{\mathfrak{q}}(\mathfrak{g})$ for a Lie algebra with a symmetrizable Cartan matrix.⁸

Thus $U_{\mathfrak{q}, \mathfrak{d}=1}(\widehat{\mathfrak{gl}}_n)$ can be regarded as the quantum affinization of the affine algebra $\widehat{\mathfrak{gl}}_n$.

We introduce the structure function [81, 82],

$$g_{ij}(z, w) := (z - \mathfrak{d}^{-m_{ij}} \mathfrak{q}^{a_{ij}} w) = \begin{cases} z - q_1 w, & (i \equiv j - 1) \\ z - q_2 w, & (i \equiv j) \\ z - q_3 w, & (i \equiv j + 1) \\ z - w, & (\text{otherwise}) \end{cases} \quad (3.2)$$

where we have defined

$$q_1 = \mathfrak{d} \mathfrak{q}^{-1}, \quad q_2 = \mathfrak{q}^2, \quad q_3 = \mathfrak{d}^{-1} \mathfrak{q}^{-1}, \quad (3.3)$$

with $q_1 q_2 q_3 = 1$. We also use

$$\widetilde{g}_{ij}(z, w) := \mathfrak{d}^{m_{ij}} g_{ij}(z, w) = (\mathfrak{d}^{m_{ij}} z - \mathfrak{q}^{a_{ij}} w). \quad (3.4)$$

⁷We use the Gothic letters for deformation parameters to keep $(q, t) = (e^{\epsilon_1}, e^{-\epsilon_2})$ for the equivariant parameters for torus action, or those for the Macdonald function. In the following, we identify $\mathfrak{q} = (q/t)^{-1/2}$ and $\mathfrak{d} = (qt)^{1/2}$ or $q_1 = q, q_3 = t^{-1}$.

⁸In general, we can define the quantum affinization based on the data of a quiver [110, 111], by introducing Chevalley generators associated with vertices and the corresponding Drinfeld currents with the structure function $g_{ij}(z, w)$.

The generators of $U_{\mathfrak{q},\mathfrak{d}}(\widehat{\mathfrak{gl}}_n)$ are

$$E_{i,k}, \quad F_{i,k}, \quad H_{i,r}, \quad K_i^{\pm 1}, \quad \mathfrak{q}^{\pm c/2}, \quad (3.5)$$

where $i \in \mathbb{Z}/n\mathbb{Z}$ (index set of simple roots or vertices of the cyclic quiver), $k \in \mathbb{Z}$, $r \in \mathbb{Z} \setminus \{0\}$ and c is a central element. It is convenient to employ the generating currents;

$$E_i(z) = \sum_{k \in \mathbb{Z}} E_{i,k} z^{-k}, \quad F_i(z) = \sum_{k \in \mathbb{Z}} F_{i,k} z^{-k}, \quad (3.6)$$

$$K_i^{\pm}(z) = K_i^{\pm 1} \exp\left(\pm(\mathfrak{q} - \mathfrak{q}^{-1}) \sum_{r=1}^{\infty} H_{i,\pm r} z^{\mp r}\right), \quad (3.7)$$

which satisfy [82];

$$K_i^{\pm}(z) K_j^{\pm}(w) = K_j^{\pm}(w) K_i^{\pm}(z) \quad (3.8)$$

$$\frac{g_{ij}(\mathfrak{q}^{-c}z, w)}{g_{ij}(\mathfrak{q}^c z, w)} K_i^-(z) K_j^+(w) = \frac{g_{ji}(w, \mathfrak{q}^{-c}z)}{g_{ji}(w, \mathfrak{q}^c z)} K_j^+(w) K_i^-(z) \quad (3.9)$$

$$\tilde{g}_{ij}(z, w) K_i^{\pm}(\mathfrak{q}^{(1 \mp 1)c/2} z) E_j(w) + g_{ji}(w, z) E_j(w) K_i^{\pm}(\mathfrak{q}^{(1 \mp 1)c/2} z) = 0 \quad (3.10)$$

$$\tilde{g}_{ji}(w, z) K_i^{\pm}(\mathfrak{q}^{(1 \pm 1)c/2} z) F_j(w) + g_{ij}(z, w) F_j(w) K_i^{\pm}(\mathfrak{q}^{(1 \pm 1)c/2} z) = 0 \quad (3.11)$$

$$[E_i(z), F_j(w)] = \frac{\bar{\delta}_{i,j}}{\mathfrak{q} - \mathfrak{q}^{-1}} \left(\delta\left(\mathfrak{q}^c \frac{w}{z}\right) K_i^+(z) - \delta\left(\mathfrak{q}^c \frac{z}{w}\right) K_i^-(w) \right) \quad (3.12)$$

$$\tilde{g}_{ij}(z, w) E_i(z) E_j(w) + g_{ji}(w, z) E_j(w) E_i(z) = 0 \quad (3.13)$$

$$\tilde{g}_{ji}(w, z) F_i(z) F_j(w) + g_{ij}(z, w) F_j(w) F_i(z) = 0 \quad (3.14)$$

with appropriate Serre relations.⁹ The delta function in (3.12) is defined by $\delta(z) = \sum_{n \in \mathbb{Z}} z^n$

and satisfies $\delta(z) = \delta(z^{-1})$. Note that there is the following change of the scaling of the Heisenberg part $H_{i,r}$ between [81] and [82];

$$K_i^{\pm}(z) \longrightarrow K_i^{\pm}(\mathfrak{q}^{-c/2} z) \quad H_{i,\pm r} \longrightarrow \mathfrak{q}^{\pm rc/2} H_{i,\pm r}. \quad (3.15)$$

The coproduct is defined by¹⁰

$$\Delta(E_i(z)) = E_i(z) \otimes 1 + K_i^-(C_1 z) \otimes E_i(C_1 z), \quad (3.16)$$

$$\Delta(F_i(z)) = F_i(C_2 z) \otimes K_i^+(C_2 z) + 1 \otimes F_i(z), \quad (3.17)$$

$$\Delta(K_i^+(z)) = K_i^+(z) \otimes K_i^+(C_1^{-1} z), \quad (3.18)$$

$$\Delta(K_i^-(z)) = K_i^-(C_2^{-1} z) \otimes K_i^-(z), \quad (3.19)$$

$$\Delta(\mathfrak{q}^c) = \mathfrak{q}^c \otimes \mathfrak{q}^c, \quad (3.20)$$

where $C_1 = \mathfrak{q}^c \otimes 1$ and $C_2 = 1 \otimes \mathfrak{q}^c$.

As is well known, there are two equivalent constructions of the (untwisted) affine Lie algebra $\widehat{\mathfrak{g}}$ corresponding to a simple finite dimensional Lie algebra \mathfrak{g} . One is based on

⁹In this paper, we do not use the Serre relations.

¹⁰Remember the redefinition (3.15), which implies $\Delta(K_i^{\pm}(z)) \rightarrow \Delta(K_i^{\pm}(C_1^{-1/2} C_2^{-1/2} z))$.

the Chevalley generators with the Serre relations determined by the Cartan matrix A . In this approach, the affine Lie algebra is obtained by replacing the Cartan matrix of finite type ($\det A > 0$) with the corresponding one of affine type ($\det A = 0$). The other way, which is more familiar among physicists, employs the loop algebra (the current algebra) $\mathfrak{g} \otimes \mathbb{C}[z, z^{-1}]$ of the finite dimensional Lie algebra \mathfrak{g} . The one-dimensional central extension of the loop algebra with the additional grading operator gives the affine Lie algebra $\widehat{\mathfrak{g}}$. Analogously there are two methods to obtain the quantum enveloping algebra (or the quantum affine algebra) $U_q(\widehat{\mathfrak{g}})$. That is, Drinfeld and Jimbo originally defined $U_q(\widehat{\mathfrak{g}})$ in terms of the Chevalley generators with the q deformed Serre relations [112–115]. Later Drinfeld observed [116] that the same algebra is obtained by introducing the generating functions of the generators (the Drinfeld currents). This is called Drinfeld realization, or the quantum affinization $U_q(\widehat{\mathfrak{g}})$ of $U_q(\mathfrak{g})$. Note that, in this realization of the quantum affine algebra, we use the Cartan matrix of finite type. In a sense, the quantum toroidal algebra $U_q(\widehat{\widehat{\mathfrak{g}}})$ is obtained by combining the above two ways of “affinization”. Namely, if we use the Cartan matrix of affine type in the Drinfeld realization, we obtain the relations from (3.8) to (3.14). In fact, if we compare these relations with those of the Drinfeld’s realization of the quantum affine algebra $U_q(\widehat{\mathfrak{g}})$ for a Lie algebra \mathfrak{g} with symmetrizable (generalized) Cartan matrix (see for example [111] section 1.2), we see the difference is only a change of $g_{ij}(z, w)$ by the second deformation parameter \mathfrak{d} (and a redefinition of the Cartan part (3.15)).

It is convenient to introduce the following rational function

$$\psi(z) := \frac{\mathfrak{q} - \mathfrak{q}^{-1}z}{1 - z} = \mathfrak{q} \frac{1 - \mathfrak{q}_2^{-1}z}{1 - z} = \mathfrak{q}^{-1} \frac{1 - \mathfrak{q}_2 z^{-1}}{1 - z^{-1}} \tag{3.21}$$

to rewrite the commutation relations (3.10) and (3.11) in the form of OPE relations of $E_j(w), F_j(w)$ with $K_i^\pm(z)$ or $K_i^\pm(\mathfrak{q}z)$. We see the relation

$$\psi(\mathfrak{q}_2 z)^{-1} = \psi(z^{-1}). \tag{3.22}$$

In fact, as we shall see below, the matrix elements of the vertical representation in the basis labelled by partitions are described by the function $\psi(z)$. We can check that

$$K_i^+(z)E_j(w) = \begin{cases} \psi(q_1 q_2 \frac{w}{z})^{-1} E_j(w)K_i^+(z), & (i \equiv j - 1) \\ \psi(\frac{w}{z}) \psi(q_2 \frac{w}{z}) E_j(w)K_i^+(z), & (i \equiv j) \\ \psi(q_1^{-1} \frac{w}{z})^{-1} E_j(w)K_i^+(z), & (i \equiv j + 1) \end{cases} \tag{3.23}$$

$$K_i^+(z)E_j(w) = E_j(w)K_i^+(z), \quad (\text{otherwise}), \tag{3.24}$$

imply the exchange relation (3.10). Similarly, the OPE relations of the same form with $K_i^+(z)$ being replaced by $K_i^-(\mathfrak{q}z)$ or $E_i(z)$ imply (3.10) and (3.13). We can also see that (3.11) and (3.14) follow from similar relations for $F_j(w)$ with $K_i^+(\mathfrak{q}z), K_i^-(z)$ and $F_i(z)$, where ψ is replaced by ψ^{-1} with the same argument.

The quantum toroidal algebra $U_{\mathfrak{q}, \mathfrak{d}}(\widehat{\widehat{\mathfrak{gl}}}_n)$ has two central elements, \mathfrak{q}^c and $\kappa := \prod_i K_i$. We will call a representation of $U_{\mathfrak{q}, \mathfrak{d}}(\widehat{\widehat{\mathfrak{gl}}}_n)$ that of level (k, ℓ) , when $(\mathfrak{q}^c, \kappa) = (\mathfrak{q}^k, \mathfrak{q}^{-\ell})$.

In analogy with the case of \mathfrak{gl}_1 , we will call the level $(0, 1)$ representation vertical and the level $(1, N)$ representation horizontal. It is known that $U_{q,d}(\widehat{\mathfrak{gl}}_n)$ has two subalgebras which are isomorphic to the quantum affine algebra $U_q(\widehat{\mathfrak{sl}}_n)$. The horizontal subalgebra $U_q^{\text{hor}}(\widehat{\mathfrak{sl}}_n)$ is generated by “zero modes” $E_{i,0}, F_{i,0}$ and K_i^{\pm} ($i \in \mathbb{Z}/n\mathbb{Z}$) and their relations take the original form by Drinfeld-Jimbo. On the other hand, the vertical subalgebra $U_q^{\text{ver}}(\widehat{\mathfrak{sl}}_n)$ is most conveniently described by restricting the Drinfeld currents to the “finite algebra” part $E_i(z), F_i(z), K_i^{\pm}(z), q^{\pm c/2}$ with $i \neq 0$. As in the case of DIM algebra, there is an algebra automorphism that exchanges the horizontal and vertical algebra. It also exchanges two central elements and hence the level (k, ℓ) representation is mapped to the level $(-\ell, k)$ representation. In the case of DIM, there exists the Heisenberg subalgebra labeled by rational number k/ℓ and related by $\text{SL}(2, \mathbb{Z})$ transformation. It is interesting to see that the \mathbb{Z}_2 symmetry of vertical and horizontal subalgebra of $U_{q,d}(\widehat{\mathfrak{gl}}_n)$ can be enhanced to $\text{SL}(2, \mathbb{Z})$.

When $c = 0$ (corresponding to the vertical representation), the factor in (3.9) becomes trivial, and $K_i^{\pm}(z)$ are completely commuting. Hence, there exist simultaneous eigenstates of $H_{i,\pm r}$ in this case. In the geometric construction of representation of the quantum toroidal algebra, we can obtain the vertical representation, the fixed points of torus action give simultaneous eigenstates of $H_{i,\pm r}$. Hence, in refs. [117–121] the defining relations with $c = 0$ have been provided from the very beginning.

3.1 Vertical representation and color selection rule

In the vertical representation or level $(0, 1)$ representation, the Heisenberg part is completely commuting and they are diagonalizable by simultaneous eigenstates. This representation is what we will obtain by the geometric construction based on the (Nakajima) quiver variety [110, 111, 117–121]. The relevant geometry is the instanton moduli space of the ALE space of A_n type, which is a resolution of the orbifold $\mathbb{C}^2/\mathbb{Z}_{n+1}$. Originally Nakajima constructed a representation of the affine Kac-Moody algebra from the (equivariant) cohomology of the moduli space. A representation of the quantum affinization is expected to be obtained, if we replace the cohomology with the corresponding K theory. When we consider the instantons on the ALE space of A_n type, the affine algebra is $A_{n-1}^{(1)}$, and we have a representation of the quantum toroidal algebra by the K theory of the quiver variety (the instanton moduli space).

In the vertical representation, we can label simultaneous eigenstates of $K_i^{\pm}(z)$ by a partition (Young diagram) λ . We take a basis $\{|\lambda\rangle\}$ of the Fock space,¹¹ which simultaneously diagonalizes $K_i^{\pm}(z)$. Since the eigenvalues are non-degenerate, the freedom is only in the normalization of each eigenvector $|\lambda\rangle$. In the following computation, we assume that $\{|\lambda\rangle\}$ is an orthonormal basis. Then $|\lambda\rangle$ is canonically identified with the dual basis $(\lambda|$ with $(\lambda|\mu) = \delta_{\lambda\mu}$. The vertical representation with the spectral parameter v is introduced in [81]. For a partition $\lambda = (\lambda_1 \geq \lambda_2 \geq \dots)$, let $\lambda \pm 1_j = (\lambda_1 \geq \dots \geq \lambda_j \pm 1 \geq \dots)$. We assign the color $i - j + k$ modulo n to the box $(i, j) \in \lambda$, so that the empty partition and

¹¹We reserve the standard bra-ket notation for states in the horizontal representation to be introduced in the next subsection.

the box on the diagonal have the color k . With the notation $x_s := q_1^{\lambda_s-1} q_3^{s-1} = q_2 q_1^{\lambda_s} q_3^s$, the non-vanishing matrix elements of the vertical representation can be written as follows;

$$(\lambda+1_j|E_i(z)|\lambda) = \prod_{\substack{s=1, \\ \lambda_s+i \equiv s+k}}^{j-1} \psi(q_1^{-1}x_s/x_j) \prod_{\substack{s=1, \\ \lambda_s+i+1 \equiv s+k}}^{j-1} \psi(x_j/x_s) \delta(q_1 x_j v/z) \bar{\delta}_{i,j-\lambda_j+k-1}, \tag{3.25}$$

$$(\lambda|F_i(z)|\lambda+1_j) = \prod_{\substack{s=j+1, \\ \lambda_s+i \equiv s+k}}^{\infty} \psi(q_1^{-1}x_s/x_j) \prod_{\substack{s=j+1, \\ \lambda_s+i+1 \equiv s+k}}^{\infty} \psi(x_j/x_s) \delta(q_1 x_j v/z) \bar{\delta}_{i,j-\lambda_j+k-1}, \tag{3.26}$$

$$(\lambda|K_i^+(z)|\lambda) = \prod_{\substack{s=1, \\ \lambda_s+i \equiv s+k}}^{\infty} \psi(x_s v/z) \prod_{\substack{s=1, \\ \lambda_s+i+1 \equiv s+k}}^{\infty} \psi(q_3^{-1}x_s v/z)^{-1}, \tag{3.27}$$

$$(\lambda|K_i^-(z)|\lambda) = \prod_{\substack{s=1, \\ \lambda_s+i \equiv s+k}}^{\infty} \psi(q_2 z/x_s v)^{-1} \prod_{\substack{s=1, \\ \lambda_s+i+1 \equiv s+k}}^{\infty} \psi(q_1^{-1}z/x_s v), \tag{3.28}$$

where k is the charge (coloring) of the empty partition, and $\psi(z)$ is defined by (3.21). The parameter v is called spectral parameter of the vertical representation. The factor $\bar{\delta}_{i,j-\lambda_j+k-1}$ stands for the color selection rule stating that the color of the box that is added to or removed from the Young diagram is i . Note that the matrix elements of $K_i^-(z)$ are related by (3.22). The matrix elements of the generators $E_{i,k}$ and $F_{i,k}$ are easily identified by expanding $\delta(q_1 x_j v/z)$. We note that, except for the range of the product over $1 \leq s \leq j-1$ or $j+1 \leq s < \infty$, $E_i(z)$ and $F_i(z)$ have the common factors in their matrix elements. In fact, these factors emerge as a consequence of substituting $v/z = (q_1 x_j)^{-1}$ imposed by the delta-function to the corresponding factors in (3.27). The difference of the ranges for $E_i(z)$ and $F_i(z)$ is due to the semi-infinite product construction of the Fock module in [81]. There are the restrictions on the product in the right hand side:

$$\lambda_s + i \equiv s + k, \quad \lambda_s + i + 1 \equiv s + k. \tag{3.29}$$

The meaning of these restrictions becomes clear, if one recalls that we have assigned the color $i - j + k$ modulo n to the box $(i, j) \in \lambda$. Then the first condition of (3.29) means that the last box (s, λ_s) in the s -th row has the color i . Note that the box (s, λ_s) may be removed from the diagram if $\lambda_s \neq \lambda_{s+1}$. Similarly, the second condition means the box $(s, \lambda_s + 1)$, which may be added to the diagram if $\lambda_{s-1} \neq \lambda_s$, has the color i .

For a Young diagram λ , let us define the set of addable (or concave) and removable (or convex) corner of λ . The addable corner $A(\lambda)$ is the set of boxes $(x, y) \notin \lambda$ such that we can add (x, y) to λ without violating the Young diagram condition. Similarly, the removable corner $R(\lambda)$ is the set of boxes $(x, y) \in \lambda$ such that we can remove (x, y) from λ without violating the Young diagram condition. That is, if we follow the boundary of λ from $x \rightarrow \infty$ to $y \rightarrow \infty$ the direction changes from up to right (from right to up) at addable (removable) corner. Since the direction is up for $x \rightarrow \infty$ and right for $y \rightarrow \infty$, we

see for any Young diagram λ

$$\#A(\lambda) - \#R(\lambda) = 1. \tag{3.30}$$

When the vacuum charge is k , we introduce the set of addable and removable corners of color ℓ by

$$A_\ell^{(k)}(\lambda) := \{(i, j) \in A(\lambda) | k + i - j \equiv \ell\}, \tag{3.31}$$

$$R_\ell^{(k)}(\lambda) := \{(i, j) \in R(\lambda) | k + i - j \equiv \ell\}. \tag{3.32}$$

With these notations, we can rewrite (3.27) as follows;¹²

$$(\lambda | K_\ell^+(z) | \lambda) = \prod_{(s, \lambda_s) \in R_\ell^{(k)}(\lambda)} \psi(x_s v / z) \prod_{(s, \lambda_s + 1) \in A_\ell^{(k)}(\lambda)} \psi(q_3^{-1} x_s v / z)^{-1}. \tag{3.33}$$

In particular, we have

$$K_\ell | \lambda) = \mathfrak{q}^{\#R_\ell^{(k)}(\lambda) - \#A_\ell^{(k)}(\lambda)} | \lambda). \tag{3.34}$$

Hence, from (3.30) the value of the center is $\kappa = \prod_\ell K_\ell = \mathfrak{q}^{-1}$, and we see that the vertical representation has, in fact, level $(0, 1)$.

3.2 Vertex operators and horizontal representation

The Heisenberg subalgebra part of $U_{\mathfrak{q}, \mathfrak{d}}(\widehat{\mathfrak{gl}}_n)$ is

$$[H_{i,r}, H_{j,s}] = \delta_{r+s,0} \frac{[r][cr]}{r} C_{ij}^{[r]}, \tag{3.35}$$

where $[n] = (\mathfrak{q}^n - \mathfrak{q}^{-n}) / (\mathfrak{q} - \mathfrak{q}^{-1})$. We introduce the $(\mathfrak{q}, \mathfrak{d})$ deformed Cartan matrix by

$$C_{ij}(\mathfrak{q}, \mathfrak{d}) := [a_{ij}] \mathfrak{d}^{-m_{ij}}, \tag{3.36}$$

and define

$$C_{ij}^{[r]} = C_{ij}(\mathfrak{q}^r, \mathfrak{d}^r) = \frac{[ra_{ij}]}{[r]} \mathfrak{d}^{-rm_{ij}}. \tag{3.37}$$

Note that the commutation relation (3.35) is invariant under the redefinition (3.15). To introduce a vertex operator representation with $c = 1$, we will employ the following vertex operators:

$$V_i^{(\pm)}(z) := \exp \left(\mp \sum_{r=1}^{\infty} \frac{H_{i, \pm r}}{[r]} z^{\mp r} \right). \tag{3.38}$$

The fundamental OPE by normal ordering is

$$V_i^{(+)}(z) V_j^{(-)}(w) = s_{ij}(z, w) : V_i^{(+)}(z) V_j^{(-)}(w) :, \quad |z| > |w|, \tag{3.39}$$

where

$$s_{ij}(z, w) = \frac{\left(1 - \frac{\mathfrak{q}w}{z}\right)^{\bar{\delta}_{i,j}} \left(1 - \frac{w}{\mathfrak{q}z}\right)^{\bar{\delta}_{i,j}}}{\left(1 - \frac{\mathfrak{d}w}{z}\right)^{\bar{\delta}_{i,j-1}} \left(1 - \frac{w}{\mathfrak{d}z}\right)^{\bar{\delta}_{i,j+1}}}. \tag{3.40}$$

¹²(3.28) can be rewritten similarly.

Let us introduce notations for the oscillator part of the vertex operator representation:

$$\eta_i(z) = V_i^{(-)}\left(\mathfrak{q}^{-\frac{1}{2}}z\right)V_i^{(+)}\left(\mathfrak{q}^{\frac{1}{2}}z\right), \quad (3.41)$$

$$\xi_i(z) = V_i^{(-)}\left(\mathfrak{q}^{\frac{1}{2}}z\right)^{-1}V_i^{(+)}\left(\mathfrak{q}^{-\frac{1}{2}}z\right)^{-1}, \quad (3.42)$$

$$\varphi_i^{\pm}(z) = V_i^{(\pm)}\left(\mathfrak{q}^{\pm 1}z\right)V_i^{(\pm)}\left(\mathfrak{q}^{\mp 1}z\right)^{-1}. \quad (3.43)$$

The inverse of the vertex operator $V_{\pm}^{(i)}(z)^{-1}$ is defined by flipping the sign of the exponential and satisfies, for example,

$$V_i^{(+)}(z)V_j^{(-)}(w)^{-1} = s_{ij}(z,w)^{-1} : V_i^{(+)}(z)V_j^{(-)}(w)^{-1} :, \quad |z| > |w|. \quad (3.44)$$

Then the vertex operator (horizontal) representation with level $(1, N)$ is given by¹³

$$E_i(z) \rightarrow \eta_i(z) e^{\bar{\alpha}_i} z^{H_{i,0}+1} \left(z^{-N} \mathfrak{q}^N u\right)^{\bar{\delta}_{i,k}}, \quad (3.45)$$

$$F_i(z) \rightarrow \xi_i(z) e^{-\bar{\alpha}_i} z^{-H_{i,0}+1} \left(z^N \mathfrak{q}^{-N} u^{-1}\right)^{\bar{\delta}_{i,k}}, \quad (3.46)$$

$$K_i^{\pm}\left(\mathfrak{q}^{\frac{1}{2}}z\right) \rightarrow \varphi_i^{\pm}(z) \mathfrak{q}^{\pm \partial_{\bar{\alpha}_i} \mp \bar{\delta}_{i,k} N}. \quad (3.47)$$

The vertex operator representation was originally given in [122, 123], where the level was $(1, 0)$. Here we generalize it to level $(1, N)$. We have also introduced the spectral parameter u for the horizontal representation. Note that the modification by the level N and the spectral parameter u appears, only when the color i of the currents is the same as the vacuum.¹⁴ The zero mode parts $e^{\pm \bar{\alpha}_i}$, $z^{\pm \partial_{\bar{\alpha}_i}}$ and $H_{i,0}$ satisfy

$$e^{\bar{\alpha}_i} e^{\bar{\alpha}_j} = (-1)^{a_{ij}} e^{\bar{\alpha}_j} e^{\bar{\alpha}_i}, \quad (3.48)$$

$$z^{\partial_{\bar{\alpha}_i}} e^{\bar{\alpha}_j} = z^{a_{ij}} e^{\bar{\alpha}_j} z^{\partial_{\bar{\alpha}_i}}, \quad (3.49)$$

$$z^{H_{i,0}} e^{\bar{\alpha}_j} = z^{a_{ij}} \mathfrak{d}^{-\frac{1}{2} m_{ij}} e^{\bar{\alpha}_j} z^{H_{i,0}} \quad (3.50)$$

and the same relation for \mathfrak{q} replacing z . Note that (3.48) defines a \mathbb{Z}_2 twist of the group algebra of the root lattice $\bar{Q} = \sum_i \mathbb{Z} \cdot \bar{\alpha}_i$. Since $K_i^{\pm 1} = K_i^{\pm}(0) \rightarrow \mathfrak{q}^{\pm \partial_{\bar{\alpha}_i} \mp \bar{\delta}_{i,k} N}$, we see that $\kappa = \prod_i K_i = \mathfrak{q}^{-N}$ by $\sum_i \partial_{\bar{\alpha}_i} = 0$. The N dependence of $E_i(z)$ and $F_i(z)$ is fixed by the commutation relations. An additional factor of \mathfrak{q} is introduced for later convenience.

Let us check the commutation relation (3.12). First of all, when $i \equiv j$, we have

$$E_i(z)F_i(w) = \frac{: \eta_i(z)\xi_i(w) : \left(\frac{z}{w}\right)^{\partial_{\bar{\alpha}_i}-1-\bar{\delta}_{i,k}N}}{\left(1-\frac{\mathfrak{q}w}{z}\right)\left(1-\frac{w}{\mathfrak{q}z}\right)}, \quad |z| > |w|, \quad (3.51)$$

$$F_i(w)E_i(z) = \frac{: \xi_i(w)\eta_i(z) : \left(\frac{z}{w}\right)^{\partial_{\bar{\alpha}_i}+1-\bar{\delta}_{i,k}N}}{\left(1-\frac{\mathfrak{q}z}{w}\right)\left(1-\frac{z}{\mathfrak{q}w}\right)}, \quad |w| > |z|. \quad (3.52)$$

¹³The shift of the argument of K_i^{\pm} is due to (3.15).

¹⁴The choice of vacuum state breaks the cyclic symmetry of the affine A_n Dynkin diagram.

Using the formula

$$\frac{x}{(1-qx)(1-q^{-1}x)} - \frac{x^{-1}}{(1-qx^{-1})(1-q^{-1}x^{-1})} = \frac{\delta(qx) - \delta(q^{-1}x)}{q - q^{-1}} \quad (3.53)$$

and the property $\delta(xy^{-1})f(x) = \delta(xy^{-1})f(y)$, we obtain

$$[E_i(z), F_i(w)] = \delta\left(\frac{qw}{z}\right) \frac{K_i^+(z)}{q - q^{-1}} - \delta\left(\frac{w}{qz}\right) \frac{K_i^-(w)}{q - q^{-1}}. \quad (3.54)$$

When $i \equiv j \pm 1$, by taking the commutation relations of zero modes (3.48) and (3.50) into account, we can check

$$[E_i(z), F_{i\pm 1}(w)] = 0. \quad (3.55)$$

Before concluding the section, we give another example that shows the role of the commutation of the zero modes. From the OPE relation (3.39), we see

$$\varphi_\ell^+(\mathfrak{q}^{-\frac{1}{2}}z)\eta_k(w) = \frac{(1-q_3^{-1}\frac{w}{z})^{\bar{\delta}_{\ell,k-1}} (1-q_2^{-1}\frac{w}{z})^{\bar{\delta}_{\ell,k}} (1-q_1^{-1}\frac{w}{z})^{\bar{\delta}_{\ell,k+1}}}{(1-q_1\frac{w}{z})^{\bar{\delta}_{\ell,k-1}} (1-q_2\frac{w}{z})^{\bar{\delta}_{\ell,k}} (1-q_3\frac{w}{z})^{\bar{\delta}_{\ell,k+1}}} : \varphi_\ell^+(\mathfrak{q}^{-\frac{1}{2}}z)\eta_k(w) :, \quad (3.56)$$

and

$$\eta_k(w)\varphi_\ell^-(\mathfrak{q}^{\frac{1}{2}}z) = \frac{(1-q_1^{-1}\frac{z}{w})^{\bar{\delta}_{\ell,k-1}} (1-q_2^{-1}\frac{z}{w})^{\bar{\delta}_{\ell,k}} (1-q_3^{-1}\frac{z}{w})^{\bar{\delta}_{\ell,k+1}}}{(1-q_3\frac{z}{w})^{\bar{\delta}_{\ell,k-1}} (1-q_2\frac{z}{w})^{\bar{\delta}_{\ell,k}} (1-q_1\frac{z}{w})^{\bar{\delta}_{\ell,k+1}}} : \eta_k(w)\varphi_\ell^-(\mathfrak{q}^{\frac{1}{2}}z) :. \quad (3.57)$$

By combining with the commutation relation of the zero modes: $\mathfrak{q}^{\pm\partial_{\bar{\alpha}_k}} e^{\bar{\alpha}_\ell} = \mathfrak{q}^{\pm a_{k\ell}} e^{\bar{\alpha}_\ell} \mathfrak{q}^{\pm\partial_{\bar{\alpha}_k}}$, see (3.49), we recover the relation (3.23) between $K_\ell^+(z)$, $K_\ell^-(qz)$ and $E_k(w)$.

4 Construction of the intertwining operator

Let $\mathcal{F}_v^{(0,1)}$ and $\mathcal{F}_u^{(1,N)}$ be the Fock spaces for the vertical and horizontal representations with spectral parameters v and u . We assume that the color of the vacuum (the highest weight state) in the vertical representation is 0 for simplicity of expressions. Note that the color of the vacuum can be made k by the shift of the color indices: $E_i(z), F_i(z), K_i^\pm(z) \rightarrow E_{i+k}(z), F_{i+k}(z), K_{i+k}^\pm(z)$. Following [80], we define the intertwiners of the quantum toroidal algebra $U_{\mathfrak{q},\mathfrak{d}}(\widehat{\mathfrak{gl}}_n)$ as follows:

$$\Phi(N, u|v) : \mathcal{F}_v^{(0,1)} \otimes \mathcal{F}_u^{(1,N)} \rightarrow \mathcal{F}_w^{(1,N+1)}, \quad a\Phi = \Phi\Delta(a), \quad (4.1)$$

and its dual

$$\Phi^*(N+1, w|v) : \mathcal{F}_w^{(1,N+1)} \rightarrow \mathcal{F}_u^{(1,N)} \otimes \mathcal{F}_v^{(0,1)}, \quad \Delta(a)\Phi^* = \Phi^*a. \quad (4.2)$$

Later we will see that the intertwiners $\Phi(N, u|v)$ and $\Phi^*(N+1, w|v)$ exist only when the spectral parameters satisfy a conservation law $w = -uv$. Note that, in our notation, the level and the spectral parameter of the horizontal representation refer to the source Fock space. In the following, we often suppress them for simplicity. They are indicated explicitly,

whenever it is helpful. In terms of the basis $|\lambda\rangle$ of the vertical representation $\mathcal{F}_v^{(0,1)}$, we introduce components of the intertwiner by

$$\Phi_\lambda = \Phi(|\lambda\rangle \otimes \bullet), \quad (4.3)$$

where $\{|\lambda\rangle\}$ is the basis of $\mathcal{F}_v^{(0,1)}$ introduced in section 3.1. The component Φ_λ is a map between horizontal representations, and our task is to express it in terms of the vertex operators. Since $C_1 = 1$ and $C_2 = \mathfrak{q}$ for the vertical and the horizontal representations, the definition of the coproduct implies the following intertwining relations for Φ_λ :

$$E_i(z)\Phi_\lambda(v) = \sum_{j=1}^{\ell(\lambda)+1} (\lambda + 1_j | E_i(z) |\lambda\rangle \Phi_{\lambda+1_j}(v) + (\lambda | K_i^-(z) |\lambda\rangle \Phi_\lambda(v) E_i(z)), \quad (4.4)$$

$$F_i(z)\Phi_\lambda(v) = \sum_{j=1}^{\ell(\lambda)} (\lambda - 1_j | F_i(\mathfrak{q}z) |\lambda\rangle \Phi_{\lambda-1_j}(v) K_i^+(\mathfrak{q}z) + \Phi_\lambda(v) F_i(z), \quad (4.5)$$

$$K_i^+(z)\Phi_\lambda(v) = (\lambda | K_i^+(z) |\lambda\rangle \Phi_\lambda(v) K_i^+(z), \quad (4.6)$$

$$K_i^-(\mathfrak{q}z)\Phi_\lambda(v) = (\lambda | K_i^-(z) |\lambda\rangle \Phi_\lambda(v) K_i^-(\mathfrak{q}z). \quad (4.7)$$

At the left hand side, the currents $E_i(z), F_i(z), K_i^+(z)$ and $K_i^-(\mathfrak{q}z)$ are taken in the level $(1, N+1)$ representation, while, at the right hand side, the representations are at level $(1, N)$. The argument v is the spectral parameter of the vertical representation so that (λ, v) represents the data of the state on the vertical side. We have used that $1 = \sum_\lambda |\lambda\rangle \langle \lambda|$ in order to derive the intertwining relations assuming $(\lambda|\mu) = \delta_{\lambda,\mu}$. If we employ a different normalization, the intertwining relation will involve the normalization factor.

The component of the dual intertwiner is defined by¹⁵

$$\Phi^* = \sum_\lambda \Phi_\lambda^*(\bullet) \otimes |\lambda\rangle. \quad (4.8)$$

Since $C_1 = \mathfrak{q}, C_2 = 1$ for Φ_λ^* , we find the following intertwining relations:

$$\Phi_\lambda^*(v) E_i(z) = E_i(z) \Phi_\lambda^*(v) Q + K_i^-(\mathfrak{q}z) \sum_{j=1}^{\ell(\lambda)} \Phi_{\lambda-1_j}^*(v) (\lambda | E_i(\mathfrak{q}z) | \lambda - 1_j), \quad (4.9)$$

$$\Phi_\lambda^*(v) F_i(z) = (\lambda | K_i^+(z) | \lambda) F_i(z) \Phi_\lambda^*(v) + \sum_{j=1}^{\ell(\lambda)+1} \Phi_{\lambda+1_j}^*(v) (\lambda | F_i(z) | \lambda + 1_j), \quad (4.10)$$

$$\Phi_\lambda^*(v) K_i^+(\mathfrak{q}z) = (\lambda | K_i^+(z) | \lambda) K_i^+(\mathfrak{q}z) \Phi_\lambda^*(v), \quad (4.11)$$

$$\Phi_\lambda^*(v) K_i^-(z) = (\lambda | K_i^-(z) | \lambda) K_i^-(z) \Phi_\lambda^*(v). \quad (4.12)$$

4.1 Structure of the intertwining operator

It turns out that the components of the intertwiner have the same structure as in the DIM case [80]. Namely, with the normalization factor $C_\lambda(q_1, q_3)$ which is related to the

¹⁵Here we normalize the dual intertwiner in a way distinct from [80].

normalization of the basis $|\lambda\rangle$ of the vertical representation, we have

$$\Phi_\lambda(v) = \frac{t_\lambda(q_1, q_3)}{C_\lambda(q_1, q_3)} : \prod_{1 \leq i \leq \ell(\lambda)}^{\leftarrow} \left(\prod_{1 \leq j \leq \lambda_i}^{\leftarrow} E_{\bar{c}(i,j)}(q_1^{j-1} q_3^{i-1} v) \right) \cdot \Phi_\emptyset(v) :, \quad (4.13)$$

where the vacuum component is (formally) given by an infinite product:

$$\Phi_\emptyset(v) =: \prod_{i,j=1}^{\infty} \eta_{\bar{c}(i,j)}(q_1^{j-1} q_3^{i-1} v)^{-1} :. \quad (4.14)$$

$\bar{c}(i, j) \equiv i - j$ is the content of the box (i, j) modulo n , which defines the coloring of boxes. Since the zero modes are non-commutative, we have to fix the ordering of $E_i(z)$ in (4.13).

This is the reason why we used the notation \prod^{\leftarrow} , which means we take the product in the “reversed” order, namely $\prod_{1 \leq i \leq n}^{\leftarrow} a_i = a_n a_{n-1} \cdots a_1$. In the case of (4.13), it is more complicated, since we have double indices. We first order $E_{\bar{c}(i,j)}$ in each row with respect to the second index j , then we order the blocks of each row from the first (rightmost) to the last (leftmost). See (4.22) below more about the ordering of the product in (4.13). We impose $C_\emptyset(q_1, q_3) = t_\emptyset(q_1, q_3) = 1$ as the normalization condition. Then, later we will see the intertwining relation fixes the normalization factor as

$$C_\lambda(q_1, q_3) = \prod_{\substack{\square \in \lambda \\ h_\lambda(\square) \equiv 0}} (1 - q_1^{a_\lambda(\square)} q_3^{-\ell_\lambda(\square) - 1}). \quad (4.15)$$

We define the arm-length, the leg-length and the hook length of $\square = (i, j) \in \lambda$ by

$$a_\lambda(i, j) := \lambda_i - j, \quad \ell_\lambda(i, j) = \lambda'_j - i, \quad (4.16)$$

and

$$h_\lambda(\square) = a_\lambda(\square) + \ell_\lambda(\square) + 1, \quad (4.17)$$

where λ' is the transpose of the Young diagram. Note that if we do not have the restriction that the hook length $h_\lambda(\square)$ is a multiple of n , the normalization factor appears in the norm of the Macdonald function $P_\lambda(x)$. As we will show in section 4.3, the intertwining relation with $E_\ell(z)$ gives the following recursion relation for the prefactor t_λ of $\Phi_\lambda(v)$:

$$\frac{t_{\lambda+1_j}}{t_\lambda} = \left(-q q_1^{\lambda_j+1} \right)^{\bar{\delta}_{\ell,j}} \prod_{\substack{s=1, \\ s-\lambda_s \equiv \ell}}^{\ell(\lambda)} q^{-1} \prod_{\substack{s=1, \\ s-\lambda_s \equiv \ell+1, \\ s \neq j}}^{\ell(\lambda)+1} q. \quad (4.18)$$

With the initial condition $t_\emptyset = 1$, we obtain

$$t_\lambda(q_1, q_3) = \prod_{\substack{\square \in \lambda \\ h_\lambda(\square) \equiv 0}} q \prod_{\substack{(i,j) \in \lambda, \\ j \equiv 0}} \left(-q q_1^j \right). \quad (4.19)$$

In formula (4.13), we employ the vertex operator $E_{\bar{c}(i,j)}(q_1^{j-1}q_3^{i-1}v)$ in the representation with level $(1, N+1)$ and the spectral parameter $-uv$. Recall that the component of the intertwiner $\Phi_\lambda(v)$ can be regarded as a map between two Fock spaces $\mathcal{F}_u^{(1,N)} \rightarrow \mathcal{F}_w^{(1,N+1)}$. We will see that the relation $w = -uv$ is required for the existence of the intertwiner. The level and the spectral parameter of the horizontal representation affect only the zero mode part of $E_i(z)$ (see (3.45)) and it turns out that it is natural to use the vertex operators referring to the target Fock space.

For the convenience of forthcoming computations, let us separate the zero mode part of the intertwiner as follows¹⁶

$$\Phi_\lambda(v) = \frac{\tilde{t}_\lambda(u, v; q_1, q_3)}{C_\lambda(q_1, q_3)} : \prod_{(i,j) \in \lambda} \eta_{\bar{c}(i,j)}(q_1^{j-1}q_3^{i-1}v) \cdot \Phi_\emptyset(v) :, \quad (4.20)$$

where

$$\tilde{t}_\lambda(u, v; q_1, q_3) = t_\lambda(q_1, q_3) u^{|\lambda|_0} (-v)^{-N|\lambda|_0} f_\lambda(q_1, q_3)^{-N-1} z_\lambda(v), \quad (4.21)$$

and $|\lambda|_0$ denotes the number of boxes with color 0 in λ . The monomial factor $\tilde{t}_\lambda(u, v; q_1, q_3)$ now depends on the horizontal spectral parameter u and takes values in the group algebra of the root lattice. The group algebra part of $\Phi_\lambda(v)$ is

$$z_\lambda(v) = \prod_{1 \leq i \leq \ell(\lambda)}^{\leftarrow} \left(\prod_{1 \leq j \leq \lambda_i}^{\leftarrow} e_{i,j}(v) \right), \quad e_{i,j}(v) = e^{\bar{\alpha}_{i-j}} (q_1^{j-1}q_3^{i-1}v)^{H_{i-j,0+1}}. \quad (4.22)$$

The factor in (4.21)

$$f_\lambda(q_1, q_3) = \prod_{\substack{(i,j) \in \lambda \\ \bar{c}(i,j) \equiv 0}} (-1) q_1^{j-\frac{1}{2}} q_3^{i-\frac{1}{2}}, \quad (4.23)$$

is the generalized framing factor arising from the commutation of zero modes. If we do not impose the restriction $\bar{c}(i, j) \equiv 0$, $f_\lambda(q, t^{-1})$ is nothing but the framing factor of the refined topological vertex [124, 125]. The dependence of the intertwiner $\Phi_\lambda(v)$ on the level $(1, N)$ can be arranged simply in the powers of $f_\lambda(q_1, q_3)$ and $-v$. As we emphasized before, since $e_{i,j}(v)$ are non-commutative, we have to fix the ordering of $e_{i,j}(v)$ in the product. Our choice of the ordering in (4.22) is for convenience of computing of the intertwining relation with $E_\ell(z), F_\ell(z)$. For example, it means that $z_{(3,2)} = e_{2,2}e_{2,1}e_{1,3}e_{1,2}e_{1,1}$. The spectral parameter u of the horizontal Fock space counts the number of boxes with the same color as the vacuum and only appears in the second factor of (4.21). From now on, we write only the v -dependence explicitly. The condition on the vacuum component $F_0(z)\Phi_\emptyset(v) = \Phi_\emptyset(v)F_0(z)$ imposes the relation $w = -uv$ among the spectral parameters of the horizontal and the vertical Fock spaces.

¹⁶Since there is no ordering problem in the oscillator part, we use the usual notation \prod in the normal product as compared with (4.13).

Similarly, the dual intertwiner is given by replacing $E_i(z)$ by $F_i(z)$:

$$\Phi_\lambda^*(v) = \frac{t_\lambda^*(q_1, q_3)}{C'_\lambda(q_1, q_3)} : \prod_{1 \leq i \leq \ell(\lambda)}^{\leftarrow} \left(\prod_{1 \leq j \leq \lambda_i}^{\leftarrow} F_{\bar{c}(i,j)}(q_1^{j-1} q_3^{i-1} v) \right) \cdot \Phi_\emptyset^*(v) : \quad (4.24)$$

$$= \frac{\tilde{t}_\lambda^*(u, v; q_1, q_3)}{C'_\lambda(q_1, q_3)} : \prod_{(i,j) \in \lambda} \xi_{\bar{c}(i,j)}(q_1^{j-1} q_3^{i-1} v) \cdot \Phi_\emptyset^*(v) :, \quad (4.25)$$

with

$$\Phi_\emptyset^*(v) =: \prod_{i,j=1}^{\infty} \xi_{\bar{c}(i,j)}(q_1^{j-1} q_3^{i-1} v)^{-1} :. \quad (4.26)$$

The normalization of the dual intertwiners is

$$C'_\lambda(q_1, q_3) = \prod_{\substack{\square \in \lambda \\ h_\lambda(\square) \equiv 0}} \left(1 - q_1^{a_\lambda(\square)+1} q_3^{-\ell_\lambda(\square)} \right). \quad (4.27)$$

As in the case of $\Phi_\lambda(v)$, the vertex operator $F_{\bar{c}(i,j)}(q_1^{j-1} q_3^{i-1} v)$ in (4.24) refers to the *target* Fock space of $\Phi_\lambda^*(v)$. That is, it has the level $(1, N)$ and the horizontal spectral parameter u (see (3.46)). Let us decompose the monomial factor as before,

$$\tilde{t}_\lambda^*(u, v; q_1, q_3) = t_\lambda^*(q_1, q_3) (-v)^{N|\lambda|_0} u^{-|\lambda|_0} f_\lambda(q_1, q_3)^N z_\lambda^*(v), \quad (4.28)$$

with¹⁷

$$z_\lambda^*(v) = \prod_{1 \leq i \leq \ell(\lambda)}^{\leftarrow} \left(\prod_{1 \leq j \leq \lambda_i}^{\leftarrow} f_{i,j}(v) \right), \quad f_{i,j}(v) = e^{-\bar{\alpha}_{i-j}} (q_1^{j-1} q_3^{i-1} v)^{-H_{i-j,0}+1}, \quad (4.29)$$

and the same generalized framing factor (4.23). Then we have the recursion relation

$$\frac{t_{\lambda+1_j}^*}{t_\lambda^*} = (-q^{-1}) \left(-q q_1^{\lambda_j+1} \right)^{\bar{\delta}_{\ell,j}} \prod_{\substack{s=1, \\ s-\lambda_s \equiv \ell}}^{\ell(\lambda)} q \prod_{\substack{s=1, \\ s-\lambda_s \equiv \ell+1, \\ s \neq j}}^{\ell(\lambda)+1} q^{-1}. \quad (4.30)$$

By solving the recursion relation with the initial condition $t_\emptyset^* = 1$, we obtain

$$t_\lambda^*(q_1, q_3) = (-q)^{-|\lambda|} \prod_{\substack{\square \in \lambda \\ h_\lambda(\square) \equiv 0}} q^{-1} \prod_{\substack{(i,j) \in \lambda, \\ j \equiv 0}} \left(-q q_1^j \right). \quad (4.31)$$

4.2 Vacuum component of the intertwiner

Let us first check that the vacuum component $\Phi_\emptyset(u)$ satisfies the following intertwining relations:

$$E_\ell(z) \Phi_\emptyset(v) = \delta(v/z) \bar{\delta}_{\ell,0} \Phi_{(1)}(v) + \psi(z/v)^{\bar{\delta}_{\ell,0}} \Phi_\emptyset(v) E_\ell(z), \quad (4.32)$$

$$F_\ell(z) \Phi_\emptyset(v) = \Phi_\emptyset(v) F_\ell(z), \quad (4.33)$$

$$K_\ell^+(z) \Phi_\emptyset(v) = \psi(q_2 v/z)^{-\bar{\delta}_{\ell,0}} \Phi_\emptyset(v) K_\ell^+(z), \quad (4.34)$$

$$K_\ell^-(qz) \Phi_\emptyset(v) = \psi(z/v)^{\bar{\delta}_{\ell,0}} \Phi_\emptyset(v) K_\ell^-(qz). \quad (4.35)$$

¹⁷The rule of ordering is the same as in the case of z_λ .

The color selection rule tells us that $((1)|E_\ell(z)|\emptyset) = 0$ and $(\emptyset|K_\ell^\pm(z)|\emptyset) = 1$, unless the color ℓ is the same as that of the vacuum state $|\emptyset\rangle$, which we chose 0. Hence, if $\ell \neq 0$, all the currents $E_\ell(z)$, $F_\ell(z)$ and $K_\ell^\pm(z)$ commute with the vacuum component $\Phi_\emptyset(v)$. This is consistent with the fact that the dependence on the level $(1, N)$ and the spectral parameter of the horizontal representation appear only in $E_0(z)$, $F_0(z)$ and $K_0^\pm(z)$.

Since $C_\emptyset = t_\emptyset = 1$, the non-trivial commutation relation comes only from the vertex operator part. A crucial point for the check of the intertwining relations is the following fact. Let

$$\tilde{\eta}_{i-j}^{(\text{tri})}(w) := \eta_{i-(j-1)}(q_1^{j-2}w) \eta_{i-j}(q_1^{j-1}w) \eta_{i-(j+1)}(q_1^j w). \quad (4.36)$$

Then the shift of the power of q_1 combined with (3.56) implies that non-trivial OPE factors with $\varphi_\ell^+(\mathfrak{q}^{-\frac{1}{2}}z)$ and $\varphi_\ell^-(\mathfrak{q}^{\frac{1}{2}}z)$ cancel:

$$\begin{aligned} \varphi_\ell^+(\mathfrak{q}^{-\frac{1}{2}}z) \tilde{\eta}_{i-j}^{(\text{tri})}(w) &= \tilde{\eta}_{i-j}^{(\text{tri})}(w) \varphi_\ell^+(\mathfrak{q}^{-\frac{1}{2}}z), \\ \varphi_\ell^-(\mathfrak{q}^{\frac{1}{2}}z) \tilde{\eta}_{i-j}^{(\text{tri})}(w) &= \tilde{\eta}_{i-j}^{(\text{tri})}(w) \varphi_\ell^-(\mathfrak{q}^{\frac{1}{2}}z). \end{aligned} \quad (4.37)$$

Because of this ‘‘triplet’’ cancellation, for each row a non-trivial OPE factor of $\varphi_\ell^+(\mathfrak{q}^{-\frac{1}{2}}z)$ with $\Phi_\emptyset(v)$ arises only when the first box $(i, 1)$ has color $\ell - 1$ or ℓ . When $i \equiv \ell$, we have¹⁸ $\mathfrak{q}^{-1}\psi(q_1^{-1}q_3^{i-1}v/z)$. And when $i - 1 \equiv \ell$, we have $\mathfrak{q} \cdot \psi(q_2q_3^{i-1}v/z)^{-1}$. Hence, if we take the product over rows, these factors cancel in general. But a non-trivial factor $\mathfrak{q} \cdot \psi(q_2\frac{v}{z})^{-1}$ survives when $1 \equiv \ell + 1$. Recall that, according to our choice of the color of the vacuum, the box $(1, 1)$ has color 0. From our definition of level $(1, N)$ representation, when the color of $K_\ell^+(z)$ is the same as the vacuum, there is a change of the power of \mathfrak{q} , since the level of the horizontal representation changes from $(1, N)$ to $(1, N + 1)$. Taking this factor of \mathfrak{q} into account, we can confirm (4.34). We can also check (4.35).

By the same reasoning, we see that $E_\ell(z)$ and $F_\ell(z)$ commute with the vacuum component $\Phi_\emptyset(v)$, unless $\ell = 0$. When $\ell = 0$, we have

$$\begin{aligned} F_0(z)\Phi_\emptyset(v) &= \left(\frac{z}{\mathfrak{q}}\right)^{N+1} w^{-1} \left(1 - \frac{\mathfrak{q}v}{z}\right) e^{-\bar{\alpha}_0 z^{-H_{0,0}+1}} : \xi_0(z)\Phi_\emptyset(v) :, \\ \Phi_\emptyset(v)F_0(z) &= \left(\frac{z}{\mathfrak{q}}\right)^N u^{-1} \left(1 - \frac{z}{\mathfrak{q}v}\right) e^{-\bar{\alpha}_0 z^{-H_{0,0}+1}} : \Phi_\emptyset(v)\xi_0(z) :. \end{aligned} \quad (4.38)$$

Hence, the condition $F_0(z)\Phi_\emptyset(v) = \Phi_\emptyset(v)F_0(z)$ implies

$$w = -uv. \quad (4.39)$$

On the other hand, the substitution of (4.39) to

$$\begin{aligned} E_0(z)\Phi_\emptyset(v) &= \left(\frac{z}{\mathfrak{q}}\right)^{-N-1} w \left(1 - \frac{v}{z}\right)^{-1} e^{\bar{\alpha}_0 z^{H_{0,0}+1}} : \eta_0(z)\Phi_\emptyset(v) :, \\ \Phi_\emptyset(v)E_0(z) &= \left(\frac{z}{\mathfrak{q}}\right)^{-N} u \left(1 - \frac{z}{q_2v}\right)^{-1} e^{\bar{\alpha}_0 z^{H_{0,0}+1}} : \Phi_\emptyset(v)\eta_0(z) :, \end{aligned} \quad (4.40)$$

¹⁸Note that we are looking at OPE with the inverse of η .

gives

$$E_0(z)\Phi_\varnothing(v) - \psi\left(\frac{z}{v}\right)\Phi_\varnothing(v)E_0(z) = -\mathbf{q}^{N+1}uv^{-N}\delta\left(\frac{v}{z}\right)e^{\bar{\alpha}_0}z^{H_{0,0}+1}:\eta_0(z)\Phi_\varnothing(v):. \quad (4.41)$$

This means that (4.32) holds with

$$C_{(1)}(q_1, q_3) = 1, \quad \tilde{t}_{(1)}(u, v : q_1, q_3) = -\mathbf{q}^{N+1}v^{-N}ue^{\bar{\alpha}_0}v^{H_{0,0}+1}. \quad (4.42)$$

It may be useful to mention that the intertwining relation for $\Phi_\varnothing(v)$ can be also reproduced by introducing the dual vertex operator

$$\tilde{V}_i^{(\pm)}(z) := \exp\left(\mp \sum_{r=1}^{\infty} \Lambda_{i,\pm r} z^{\mp r}\right), \quad (4.43)$$

with the commutation relation

$$[\Lambda_{i,r}, H_{j,s}] = \delta_{r+s,0} \bar{\delta}_{i,j} \frac{[r]}{r}. \quad (4.44)$$

More explicitly, $\Lambda_{i,r}$ is a linear combination of $H_{j,r}$

$$\Lambda_{i,r} = \sum_{j=0}^{n-1} b_{ij}^{[r]} H_{j,r}, \quad (4.45)$$

where

$$b_{ij}^{[r]} = b_{ij}(\mathbf{q}^r, \mathfrak{d}^r), \quad (4.46)$$

and $b_{ij}(\mathbf{q}, \mathfrak{d})$ are the components of the inverse of the deformed Cartan matrix (3.36);

$$\left(q_1^{\frac{n}{2}} - q_1^{-\frac{n}{2}}\right) \left(q_3^{\frac{n}{2}} - q_3^{-\frac{n}{2}}\right) b_{ij}(\mathbf{q}, \mathfrak{d}) = \begin{cases} [i-j]\mathfrak{d}^{n+j-i} + [n+j-i]\mathfrak{d}^{j-i} & (i \geq j), \\ [j-i]\mathfrak{d}^{j-i-n} + [n+i-j]\mathfrak{d}^{j-i} & (i \leq j). \end{cases} \quad (4.47)$$

The fundamental OPE relation is

$$V_i^{(+)}(z)\tilde{V}_j^{(-)}(w) = \left(1 - \frac{w}{z}\right)^{-\bar{\delta}_{i,j}} : V_i^{(+)}(z)\tilde{V}_j^{(-)}(w) :, \quad (4.48)$$

$$\tilde{V}_i^{(+)}(z)V_j^{(-)}(w) = \left(1 - \frac{w}{z}\right)^{\bar{\delta}_{i,j}} : \tilde{V}_i^{(+)}(z)V_j^{(-)}(w) :. \quad (4.49)$$

Then another formula for $\Phi_\varnothing(v)$ is

$$\Phi_\varnothing(v) =: \tilde{V}_k^{(-)}\left(\mathbf{q}^{\frac{1}{2}}v\right) \tilde{V}_k^{(+)}\left(\mathbf{q}^{\frac{3}{2}}v\right)^{-1} :, \quad (4.50)$$

where k is the color of the vacuum. We can check the intertwining relation for the vacuum component with general $\bar{\delta}_{\ell,k}$. Similarly, the vacuum component of the dual intertwiners can be expressed as

$$\Phi_\varnothing^*(v) = \tilde{V}_k^{(-)}\left(\mathbf{q}^{\frac{3}{2}}v\right)^{-1} \tilde{V}_k^{(+)}\left(\mathbf{q}^{\frac{1}{2}}v\right). \quad (4.51)$$

4.3 Zero mode part and intertwining relations

We can use the same idea to compute the OPE relation of $\Phi_\lambda(v)$ with $K_\ell^+(z)$ and $K_\ell^-(qz)$. When we compute the OPE relation of $\prod_{(i,j) \in \lambda} E_{\bar{c}(i,j)}(q_1^{j-1} q_3^{i-1} v)$ with $K_\ell^+(z)$, using (3.23) for the $(1, N+1)_{-uv}$ representation, for each row (fixed index i) a non-trivial OPE factor arises from the first box $(i, 1)$ and the last box (i, λ_i) when they satisfy the color selection rule. The factor from the first box $(i, 1)$ exactly cancels the contribution from $\Phi_\emptyset(v)$ discussed above. Thus the remaining factor comes from the last box (i, λ_i) with the color selection rule that (i, λ_i) has the color ℓ or $\ell + 1$. From (3.23), we obtain

$$\psi\left(\frac{x_i v}{z}\right) \quad \text{for } \lambda_i + \ell \equiv i, \quad \psi\left(q_1 q_2 \frac{x_i v}{z}\right)^{-1} \quad \text{for } \lambda_i + \ell + 1 \equiv i, \quad (4.52)$$

and, hence,

$$\varphi_\ell^+\left(q^{-\frac{1}{2}} z\right) q^{\partial_{\bar{\alpha}_\ell} - \bar{\delta}_{\ell,0}(N+1)} \prod_{1 \leq i \leq \ell(\lambda)}^{\leftarrow} \left(\prod_{1 \leq j \leq \lambda_i}^{\leftarrow} E_{\bar{c}(i,j)}(q_1^{j-1} q_3^{i-1} v) \right) \quad (4.53)$$

$$= \psi(q_2 v/z)^{\bar{\delta}_{\ell,0}} \prod_{\substack{s=1, \\ s-\lambda_s \equiv \ell}}^{\ell(\lambda)} \psi(x_s v/z) \prod_{\substack{s=1, \\ s-\lambda_s \equiv \ell+1}}^{\ell(\lambda)+1} \psi(q_3^{-1} x_s v/z)^{-1} \\ \prod_{1 \leq i \leq \ell(\lambda)}^{\leftarrow} \left(\prod_{1 \leq j \leq \lambda_i}^{\leftarrow} E_{\bar{c}(i,j)}(q_1^{j-1} q_3^{i-1} v) \right) \varphi_\ell^+\left(q^{-\frac{1}{2}} z\right) q^{\partial_{\bar{\alpha}_\ell} - \bar{\delta}_{\ell,0}(N+1)}, \quad (4.54)$$

and

$$\varphi_\ell^+\left(q^{-\frac{1}{2}} z\right) q^{\partial_{\bar{\alpha}_\ell} - \bar{\delta}_{\ell,0}(N+1)} \Phi_\lambda(v) = \prod_{\substack{s=1, \\ s-\lambda_s \equiv \ell}}^{\ell(\lambda)} \psi(x_s v/z) \quad (4.55) \\ \times \prod_{\substack{s=1, \\ s-\lambda_s \equiv \ell+1}}^{\ell(\lambda)+1} \psi(q_3^{-1} x_s v/z)^{-1} \Phi_\lambda(v) \varphi_\ell^+\left(q^{-\frac{1}{2}} z\right) q^{\partial_{\bar{\alpha}_\ell} - \bar{\delta}_{\ell,0} N},$$

where we also used relation (4.34). This implies

$$K_\ell^+(z) \Phi_\lambda(v) = \prod_{\substack{s=1, \\ s-\lambda_s \equiv \ell}}^{\ell(\lambda)} \psi(x_s v/z) \prod_{\substack{s=1, \\ s-\lambda_s \equiv \ell+1}}^{\ell(\lambda)+1} \psi(q_3^{-1} x_s v/z)^{-1} \Phi_\lambda(v) K_\ell^+(z). \quad (4.56)$$

Similar computation is valid for $K_\ell^-(qz)$, since (3.23) also holds for $K_\ell^-(qz)$.

Let us move to the intertwining relation with $E_\ell(z)$. Since (3.23) still holds even after replacing $K_\ell^+(z)$ by $E_\ell(z)$, we have

$$E_\ell(z) \Phi_\lambda(v) - (\lambda | K_\ell^-(z) | \lambda) \Phi_\lambda(v) E_\ell(z) = [(\lambda | K_\ell^+(z) | \lambda) - (\lambda | K_\ell^-(z) | \lambda)] \Phi_\lambda(v) E_\ell(z), \quad (4.57)$$

where we also used relation (4.32). Note that the first term at right hand side of (4.32) vanishes due to the coefficient $\psi(q_2 v/z) \delta(v/z)$. To obtain the delta functions in the intertwining relation, we make use of the following formal series identity for a rational function

$\gamma(z)$ regular at $z = 0, \infty$ and with simple poles at most (Lemma 3.3 of [72]);

$$\gamma^+(z) - \gamma^-(z) = \sum_t \gamma^{(t)} \delta(z/z^{(t)}), \quad (4.58)$$

where $\gamma^\pm(z)$ denote the Taylor expansions of $\gamma(z)$ in $z^{\mp 1}$ at $z = \infty$ and $z = 0$. The sum at the right hand side runs over all poles $z^{(t)}$ of $\gamma(z)$ with $\gamma^{(t)} = \text{Res}_{z=z^{(t)}} \gamma(z) \frac{dz}{z}$ being the residues. One can prove the identity by the partial fraction decomposition of rational functions. The formula (4.58) implies

$$\begin{aligned} (\lambda|K_\ell^+(z)|\lambda) - (\lambda|K_\ell^-(z)|\lambda) &= \sum_{\substack{j=1, \\ j-\lambda_j \equiv \ell}}^{\ell(\lambda)} \delta\left(\frac{x_j v}{z}\right) \mathfrak{q}(1-q_2^{-1}) \prod_{\substack{s=1, \\ s-\lambda_s \equiv \ell, \\ s \neq j}}^{\ell(\lambda)} \psi\left(\frac{x_s}{x_j}\right) \prod_{\substack{s=1, \\ s-\lambda_s \equiv \ell+1}}^{\ell(\lambda)+1} \psi\left(\frac{x_s}{q_3 x_j}\right)^{-1} \\ &+ \sum_{\substack{j=1, \\ j-\lambda_j \equiv \ell+1}}^{\ell(\lambda)+1} \delta\left(\frac{q_1 x_j v}{z}\right) \mathfrak{q}^{-1}(1-q_2) \prod_{\substack{s=1, \\ s-\lambda_s \equiv \ell}}^{\ell(\lambda)} \psi\left(\frac{x_s}{q_1 x_j}\right) \prod_{\substack{s=1, \\ s-\lambda_s \equiv \ell+1, \\ s \neq j}}^{\ell(\lambda)+1} \psi\left(\frac{q_2 x_s}{x_j}\right)^{-1}. \end{aligned} \quad (4.59)$$

To get $\Phi_{\lambda+1_j}(v)$ out of the difference $E_\ell(z)\Phi_\lambda(v) - (\lambda|K_\ell^-(z)|\lambda)\Phi_\lambda(v)E_\ell(z)$, we have to compute the normal ordered product and take contributions of zero modes and spectral parameters into account. We need the following OPE relation for $|z| > |w|$:

$$\begin{aligned} \eta_i(z)\eta_j(w) &= s_{ij} \left(\mathfrak{q}^{\frac{1}{2}} z, \mathfrak{q}^{-\frac{1}{2}} w \right) : \eta_i(z)\eta_j(w) : \\ &= \begin{cases} (1 - q_3 \frac{w}{z})^{-1} : \eta_i(z)\eta_j(w) : & j \equiv i - 1 \\ (1 - \frac{w}{z}) (1 - q_1 q_3 \frac{w}{z}) : \eta_i(z)\eta_j(w) : & j \equiv i \\ (1 - q_1 \frac{w}{z})^{-1} : \eta_i(z)\eta_j(w) : & j \equiv i + 1 \end{cases} \end{aligned} \quad (4.60)$$

The ‘‘triplet’’ cancellation also holds in this case. Thus, a non-trivial OPE of $\Phi_\lambda(v)\eta_\ell(z)$ appears when the selection rule $i - \lambda_i \equiv \ell$ or $i - \lambda_i \equiv \ell + 1$ is satisfied in each row. The contribution of the i -th row is

$$\left(1 - \frac{z}{x_i v}\right) \quad \text{for } \lambda_i + \ell \equiv i, \quad \left(1 - \frac{q_3 z}{x_i v}\right)^{-1} \quad \text{for } \lambda_i + \ell + 1 \equiv i. \quad (4.61)$$

Hence, the product over the rows gives

$$E_\ell(z)\Phi_\lambda(v) - (\lambda|K_\ell^-(z)|\lambda)\Phi_\lambda(v)E_\ell(z) \quad (4.62)$$

$$\begin{aligned} &= \sum_{\substack{j=1, \\ j-\lambda_j \equiv \ell+1}}^{\ell(\lambda)+1} \delta\left(\frac{q_1 x_j v}{z}\right) (-\mathfrak{q}) \prod_{\substack{s=1, \\ s-\lambda_s \equiv \ell}}^{\ell(\lambda)} \psi\left(\frac{x_s}{q_1 x_j}\right) \left(1 - \frac{q_1 x_j}{x_s}\right) \\ &\quad \prod_{\substack{s=1, \\ s-\lambda_s \equiv \ell+1, \\ s \neq j}}^{\ell(\lambda)+1} \psi\left(\frac{q_2 x_s}{x_j}\right)^{-1} \left(1 - \frac{q_2^{-1} x_j}{x_s}\right)^{-1} : \Phi_\lambda(v)E_\ell(z) : \end{aligned} \quad (4.63)$$

$$\begin{aligned} &= \sum_{\substack{j=1, \\ j-\lambda_j \equiv \ell+1}}^{\ell(\lambda)+1} \delta\left(\frac{q_1 x_j v}{z}\right) (-\mathfrak{q}) \prod_{\substack{s=1, \\ s-\lambda_s \equiv \ell}}^{\ell(\lambda)} \mathfrak{q}^{-1} \left(1 - \frac{x_j}{q_3 x_s}\right) \prod_{\substack{s=1, \\ s-\lambda_s \equiv \ell+1, \\ s \neq j}}^{\ell(\lambda)+1} \mathfrak{q} \left(1 - \frac{x_j}{x_s}\right)^{-1} : \Phi_\lambda(v)E_\ell(z) :. \end{aligned} \quad (4.64)$$

Note that the delta-function $\delta(q_1 x_j v/z)$ appears when $j - \lambda_j \equiv \ell + 1$, that is, when we may add a box with color ℓ in the j -th row. Then we move e_{j, λ_j+1} to get¹⁹ $z_{\lambda+1_j}(v) = z_\lambda^{(j-)}(v) e_{j, \lambda_j+1}(v) z_\lambda^{(j+)}(v)$ by using Lemma 4 in appendix B, a necessary technical result is worked out in appendix B. Taking the level dependence of the zero modes part into account, we finally obtain

$$\begin{aligned}
 & E_\ell(z) \Phi_\lambda(v) - (\lambda | K_\ell^-(z) | \lambda) \Phi_\lambda(v) E_\ell(z) \\
 &= \sum_{\substack{j=1, \\ j-\lambda_j \equiv \ell+1}}^{\ell(\lambda)+1} \left(-q q_1^{\lambda_j+1} \right)^{\bar{\delta}_{\ell,j}} \prod_{\substack{s=1, \\ s-\lambda_s \equiv \ell}}^{j-1} \left(1 - \frac{q_3 x_s}{x_j} \right) \prod_{\substack{s=1, \\ s-\lambda_s \equiv \ell+1}}^{j-1} \left(1 - \frac{x_s}{x_j} \right)^{-1} \\
 & \times \prod_{\substack{s=j+1, \\ s-\lambda_s \equiv \ell}}^{\ell(\lambda)} q^{-1} \left(1 - \frac{x_j}{q_3 x_s} \right) \prod_{\substack{s=j+1, \\ s-\lambda_s \equiv \ell+1}}^{\ell(\lambda)+1} q \left(1 - \frac{x_j}{x_s} \right)^{-1} \delta \left(\frac{q_1 x_j v}{z} \right) \frac{t_\lambda}{t_{\lambda+1_j}} \frac{C_{\lambda+1_j}}{C_\lambda} \Phi_{\lambda+1_j}(v).
 \end{aligned} \tag{4.65}$$

Now we employ the following combinatorial identity for the normalization factor C_λ ,²⁰

$$\frac{C_{\lambda+1_j}}{C_\lambda} = \frac{\prod_{s=1}^{j-1} \left(1 - q_2 \frac{x_s}{x_j} \right)^{\bar{\delta}_{s-\lambda_s, \ell+1}} \prod_{s=j+1}^{\ell(\lambda)+1} \left(1 - \frac{x_j}{x_s} \right)^{\bar{\delta}_{s-\lambda_s, \ell+1}}}{\prod_{s=1}^{j-1} \left(1 - q_1^{-1} \frac{x_s}{x_j} \right)^{\bar{\delta}_{s-\lambda_s, \ell}} \prod_{s=j+1}^{\ell(\lambda)} \left(1 - q_3^{-1} \frac{x_j}{x_s} \right)^{\bar{\delta}_{s-\lambda_s, \ell}}}. \tag{4.66}$$

See a related computation in the DIM case, Lemma 6.4 in [80]. In appendix A, we prove (4.66) which also appeared in section 7.2.1 of [120]. Taking this into account, we arrive at

$$\begin{aligned}
 & E_\ell(z) \Phi_\lambda(v) - (\lambda | K_\ell^-(z) | \lambda) \Phi_\lambda(v) E_\ell(z) \\
 &= \sum_{\substack{j=1, \\ j-\lambda_j \equiv \ell+1}}^{\ell(\lambda)+1} \left(-q q_1^{\lambda_j+1} \right)^{\bar{\delta}_{\ell,j}} \prod_{\substack{s=1, \\ s-\lambda_s \equiv \ell}}^{\ell(\lambda)} q^{-1} \prod_{\substack{s=1, \\ s-\lambda_s \equiv \ell+1, \\ s \neq j}}^{\ell(\lambda)+1} q \prod_{\substack{s=1, \\ s-\lambda_s \equiv \ell}}^{j-1} \psi \left(\frac{x_s}{q_1 x_j} \right) \\
 & \times \prod_{\substack{s=1, \\ s-\lambda_s \equiv \ell+1}}^{j-1} \psi \left(\frac{x_j}{x_s} \right) \delta \left(\frac{q_1 x_j v}{z} \right) \frac{t_\lambda}{t_{\lambda+1_j}} \Phi_{\lambda+1_j}(v).
 \end{aligned} \tag{4.67}$$

By comparing with the intertwining relation (4.4), we obtain the recursion relation (4.18) which gives the formula (4.19).

The OPE computation of $F_\ell(z)$ and $\Phi_\lambda(u)$ involves the commutation relation of $E_i(z)$ and $F_j(w)$. But it can be performed similarly based on

$$\begin{aligned}
 \xi_\ell(z) \eta_i(w) &= s_{\ell i}(z, w)^{-1} : \xi_\ell(z) \eta_i(w) : \\
 &= \begin{cases} \left(1 - \frac{\partial w}{z} \right) : \xi_\ell(z) \eta_i(w) : & i \equiv \ell + 1 \\ \left(1 - \frac{q w}{z} \right)^{-1} \left(1 - \frac{w}{q z} \right)^{-1} : \xi_\ell(z) \eta_i(w) : & i \equiv \ell \\ \left(1 - \frac{w}{\partial z} \right) : \xi_\ell(z) \eta_i(w) : & i \equiv \ell - 1 \end{cases} \tag{4.68}
 \end{aligned}$$

¹⁹See appendix B for the definition of $z_\lambda^{(j\pm)}(v)$.

²⁰To obtain trivial cancellations with this factor, we have chosen the product order of z_λ .

for $|z| > |w|$. We can deduce that

$$F_\ell(z)\Phi_\lambda(v) - \Phi_\lambda(v)F_\ell(z) = (\gamma^+(z) - \gamma^-(z)) : F_\ell(z)\Phi_\lambda(v) :, \tag{4.69}$$

$$\gamma(z) = \prod_{\substack{s=1, \\ s-\lambda_s \equiv \ell}}^{\ell(\lambda)} \left(1 - \frac{x_s u}{qz}\right)^{-1} \prod_{\substack{s=1, \\ s-\lambda_s \equiv \ell+1}}^{\ell(\lambda)+1} \left(1 - \frac{x_s u}{qq_3 z}\right). \tag{4.70}$$

This time the delta-function $\delta\left(\frac{x_j v}{qz}\right)$ appears when $j - \lambda_j \equiv \ell$, that is, when we may remove a box with color ℓ from the j -th row. Using

$$: \xi_\ell(z)\eta_{j-\lambda_j}(x_j v) : \delta\left(\frac{x_j v}{qz}\right) = \varphi_\ell^+(qz)\delta\left(\frac{x_j v}{qz}\right), \tag{4.71}$$

we can check the intertwining relation with $F_\ell(z)$ by (4.66) with $\lambda_j \rightarrow \lambda_j - 1$.

Finally, the dual intertwining relations can be demonstrated in the same way.

4.4 Network matrix model and screening operator

Network matrix model is a matrix model of the Dotsenko-Fateev type (conformal matrix model)²¹ whose measure is determined by a trivalent planar diagram (5 brane-web) representing a toric Calabi-Yau threefold [52, 53]. The correlation functions of the model are computed as the (vacuum) expectation values or the traces of appropriate products of the intertwiners glued together. They reproduce refined topological string amplitudes or five dimensional lift of the Nekrasov partition function for $\mathcal{N} = 2$ quiver gauge theories. Using the intertwiners constructed in this section, we can define a network matrix model with $U_{q,t}(\widehat{\mathfrak{gl}}_n)$ symmetry. There are two fundamental ways of gluing intertwiners (see figure 3). The gluing along the horizontal line is simply the successive action of operators on the horizontal Fock space. A particular example is the product of $\Phi^\lambda(z)$ and the dual intertwiner $\Phi_\mu^*(w)$, which we call \mathcal{T} operator [55]. The \mathcal{T} operator satisfies the \mathcal{RTT} relation and plays an important role in deriving (q, t) -KZ equation, since it realizes the q -shift operator (see the next section). Note that such a product of the intertwiners along the horizontal line gives again an intertwining operator which satisfies, for example, $a\Phi(z_1)\Phi(z_2) = \Phi(z_1)\Phi(z_2)((1 \otimes \Delta) \circ \Delta)(a)$. On the other hand, the gluing along the vertical line means taking the tensor product in the horizontal direction with summation over the intermediate Young diagrams on the vertical line. This gives the screening operator of the network matrix model [54];

$$\mathcal{S}(z) = \sum_\lambda \Phi_\lambda^*(z) \otimes \Phi^\lambda(z). \tag{4.72}$$

In the DIM case, there should be the inverse of the square norm of the Macdonald function $\|M_\lambda\|^{-2}$ as a weight in the summation over λ . However, we have changed the normalization of the dual intertwiner Φ_λ^* and consequently there appears no weight factor in (4.72).

²¹See [126–131] for an original and generic issue of the conformal matrix models, and [47–49, 132–139] for AGT-related conformal matrix models.

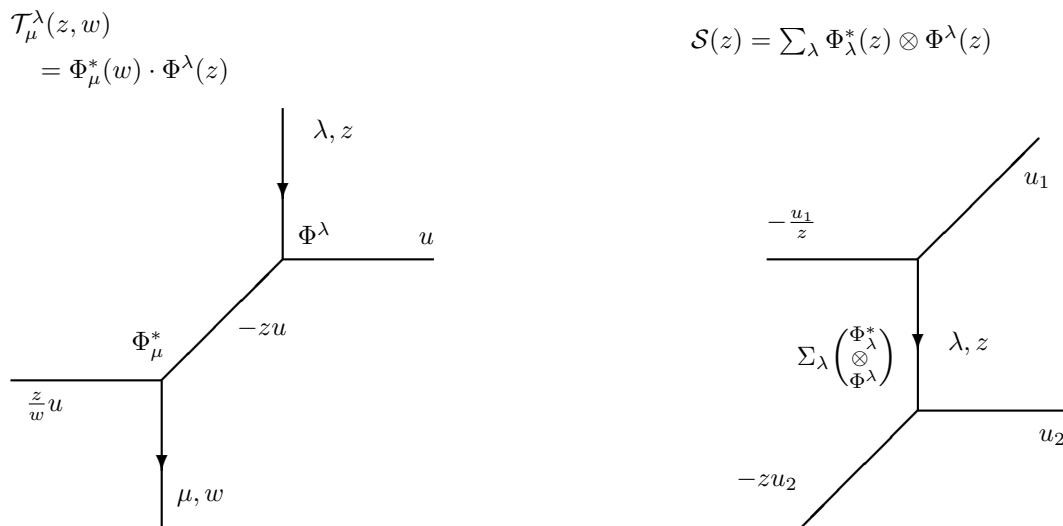


Figure 3. Gluing two intertwiners Φ and Φ^* gives the \mathcal{T} -operator (horizontal gluing) or the screening operator (vertical gluing).

An important property of the screening operator is a commutativity with $\Delta(X)$ for any element X in $U_{q,d}(\widehat{\mathfrak{gl}}_n)$:

$$[\Delta(X), \mathcal{S}(z)] = 0. \quad (4.73)$$

This relation gives constraints (Schwinger-Dyson equations) for the correlation functions of the network matrix model. Since the coproduct Δ is a homomorphism of the algebra, it is enough to check (4.73) for generating currents $E_\ell(w)$, $F_\ell(w)$ and $K_\ell^\pm(w)$. For $X = K_\ell^\pm(w)$, the commutativity is easily checked by using the definition of Δ and the intertwining relations for $\Phi_\lambda(z)$ and $\Phi_\lambda^*(z)$. For $X = E_\ell(w)$, we have

$$\begin{aligned} [\Delta(E_\ell(w)), \mathcal{S}(z)] &= (K_\ell^-(qw) \otimes 1) \left(\sum_\lambda \sum_{j=1}^{\ell(\lambda)+1} (\lambda+1_j | E_\ell(qw) | \lambda) \Phi_\lambda^*(z) \otimes \Phi^{\lambda+1_j}(z) \right. \\ &\quad \left. - \sum_\lambda \sum_{j=1}^{\ell(\lambda)} (\lambda | E_\ell(qw) | \lambda-1_j) \Phi_{\lambda-1_j}^*(z) \otimes \Phi^\lambda(z) \right). \end{aligned} \quad (4.74)$$

The right hand side vanishes inductively in the number of boxes $|\lambda|$ of the Young diagram. A similar computation is valid for $F_\ell(w)$.

4.5 Abelianization of the DIM intertwiner

We would like to reexpress the intertwiner (4.20) so that it explicitly depends on the *quotients* $\lambda^{(c)}$ and *shifts* p_c of the vertical diagram λ . We will see that the intertwiner factorizes into a product of commuting operators, each depending on its own quotient $\lambda^{(c)}$ and shift p_c . Thus the intertwiner for the *non-Abelian* DIM algebra breaks down into a product of intertwiners for the *Abelian*²² DIM algebra.

²²We abuse the terminology and call Abelian the DIM algebra associated with the double loops on the Abelian $\mathfrak{gl}_1 = \mathbb{C}$, though, of course, the DIM commutation relations are nontrivial. The non-Abelian DIM in this terminology is the deformation of the double loop algebra on \mathfrak{gl}_N .

To minimize technical steps in the derivation in this section, we limit ourselves to the *unrefined* non-Abelian DIM algebra. The unrefined limit corresponds to setting $q_1 = q_3^{-1}$, or, equivalently, to $\mathfrak{q} = 1$ with arbitrary \mathfrak{d} . Let us first write down the expression (4.20) for the intertwiner $\Phi_\lambda(v)$ using the colored characters:

$$\begin{aligned} \Phi_\lambda(v) &= \frac{\tilde{t}_\lambda(u, v)}{C_\lambda(q_1, q_1^{-1})} \\ &\times : \exp \left\{ \sum_{r \geq 1} \frac{1}{r} \left[\sum_{c=0}^{N-1} \left(-\text{ch}_\lambda^{(c)}(q_1^r) + \frac{c q_1^{r(c-N)}}{1 - q_1^{-rN}} - \frac{N q_1^{r(c-N)}}{(1 - q_1^{-rN})^2} \right) v^r H_{c,-r} - (r \leftrightarrow -r) \right] \right\} : . \end{aligned} \quad (4.75)$$

Now we use the formula (E.15) expressing the colored character in terms of characters of the quotients:

$$\begin{aligned} \Phi_\lambda(v) &= \frac{\tilde{t}_\lambda(u, v)}{C_\lambda(q_1, q_1^{-1})} \\ &\times : \exp \left\{ \sum_{r \geq 1} \frac{1}{r} \left[\sum_{c=0}^{N-1} \left(- \sum_{d=0}^{N-1} L_{cd}(q_1^r) q_1^{r(Np_d-d)} \left(\text{ch}_{\lambda^{(d)}}(q_1^{rN}) - \frac{1}{1 - q_1^{-rN}} \frac{1 - q_1^{-rNp_d}}{1 - q_1^{rN}} \right) \right. \right. \\ &\quad \left. \left. + \frac{q_1^{r(N-c)}(c(1 - q_1^{rN}) + N)}{(1 - q_1^{rN})^2} \right) v^r H_{c,-r} - (r \leftrightarrow -r) \right] \right\} : , \end{aligned} \quad (4.76)$$

where the matrix $L_{cd}(q)$ is from eq. (E.16). We introduce modified Cartan generators $\tilde{H}_{c,r}$ which are given by the following linear combinations of the original ones:

$$\tilde{H}_{d,r} = \sum_{c=0}^{N-1} L_{cd}(q_1^{-r}) H_{c,r}. \quad (4.77)$$

The modified Cartan generators (4.77) satisfy very simple commutation relations:

$$[\tilde{H}_{d,r}, \tilde{H}_{f,s}] = \sum_{c=0}^{N-1} \sum_{e=0}^{N-1} L_{cd}(q_1^{-r}) L_{ef}(q_1^s) a_{ce} q_1^{-rm_{ce}} r \delta_{r+s,0} = (1 - q_1^{rN})(1 - q_1^{-rN}) r \delta_{df} \delta_{r+s,0}, \quad (4.78)$$

where a_{ij} and m_{ij} are the Cartan and adjacency matrices introduced in eq. (3.1), and we have used the crucial property of L^{-1} :

$$((L^{-1}(q_1^{-1}))^T L^{-1}(q_1))_{ij} = \frac{a_{ij} q_1^{-m_{ij}}}{(1 - q_1^N)(1 - q_1^{-N})}. \quad (4.79)$$

This property is easy to verify from the explicit expression (E.19). We therefore conclude that $\tilde{H}_{i,r}$ are N independent bosonic generators.

We notice a further simplification which occurs when we rewrite the vacuum part of the intertwiner in terms of the new Cartan generators:

$$\sum_{c=0}^{N-1} \frac{q_1^{r(N-c)}(c(1 - q_1^{rN}) + N)}{(1 - q_1^{rN})^2} H_{c,-r} = \frac{1}{(1 - q_1^N)(1 - q_1^{-N})} \sum_{d=0}^{N-1} q_1^{-rd} \tilde{H}_{d,-r}. \quad (4.80)$$

Plugging the identities (4.77) and (4.80) into the intertwiner, we obtain

$$\begin{aligned} \Phi_\lambda(v) &= \frac{\tilde{t}_\lambda(u, v)}{C_\lambda(q_1, q_1^{-1})} \\ &\times : \exp \left\{ \sum_{r \geq 1} \frac{1}{r} \left[\sum_{d=0}^{N-1} \left(-\text{ch}_{\lambda^{(d)}}(q_1^{rN}) + \frac{1}{(1-q_1^{-rN})(1-q_1^{rN})} \right) (q_1^{Np_d-d}v)^r \tilde{H}_{d,-r} - (r \leftrightarrow -r) \right] \right\} :. \end{aligned} \quad (4.81)$$

It is remarkable that, since $\tilde{H}_{r,d}$ for different d commute, the intertwiner is a product of *commuting* operators each depending on its own *quotient* diagram $\lambda^{(d)}$ and the shift p_d , the latter entering only in the shift of the spectral parameter. Moreover, upon closer examination each of the commuting operators is nothing but the *Abelian* DIM intertwiner! Let us denote the Abelian DIM intertwiner by $\Psi_\lambda(z)$ as in [54]:

$$\Psi_\lambda^{(q_1)}(z, \tilde{H}_r) = \tilde{c}_\lambda(z) : \exp \left\{ \sum_{r \geq 1} \frac{1}{r} \left[\left(-\text{ch}_\lambda(q_1^r) + \frac{1}{(1-q_1^{-r})(1-q_1^r)} \right) z^r \tilde{H}_{-r} - (r \leftrightarrow -r) \right] \right\} :, \quad (4.82)$$

where $\tilde{c}_\lambda(z)$ denotes the scalar prefactor, which we omit in what follows, and we have explicitly written the q_1 -dependence of the intertwiner and also indicated that it acts in the horizontal representation with the bosonic generators \tilde{H}_r . The generators \tilde{H}_r satisfy the commutation relations

$$[\tilde{H}_r, \tilde{H}_s] = (1 - q_1^r)(1 - q_1^{-r})r\delta_{r+s,0}. \quad (4.83)$$

Notice that here the normalization of the generators is nonstandard, though the expression for the Abelian intertwiner (4.82) is correct. We can introduce a more convenient set of operators $a_r = \frac{\tilde{H}_r}{1-q_1^r}$, for which we have

$$[a_r, a_s] = r\delta_{r+s,0}. \quad (4.84)$$

Let us also introduce modified zero modes $\tilde{\alpha}_d$ and $\tilde{H}_{d,0}$

$$\tilde{\alpha}_c = \sum_{d=0}^{N-1} (\delta_{c,d} - \delta_{(c-d) \bmod N,1}) \tilde{\alpha}_d, \quad (4.85)$$

$$H_{c,0} = \sum_{d=0}^{N-1} (\delta_{c,d} - \delta_{(c-d) \bmod N,1}) \tilde{H}_{d,0} \quad (4.86)$$

which are independent (we assume that $\sum_{d=0}^{N-1} \tilde{\alpha}_d = \sum_{d=0}^{N-1} \tilde{H}_{d,0} = 0$). Then the zero modes also factorize into a product of independent factors:

$$\begin{aligned} &\prod_{(i,j) \in \lambda} e^{-\tilde{\alpha}_{(i-j) \bmod N}} (q_1^{j-i}v)^{H_{(i-j) \bmod N,0}} \\ &= \prod_{d=0}^{N-1} e^{p_d \tilde{\alpha}_d} \left(q_1^{-N|\lambda^{(d)}| - \frac{1}{2}Np_d(p_d+1) + dp_d + \sum_{f=0}^{N-1} \lfloor \frac{d-f}{N} \rfloor p_f} v^{-p_d} \right)^{\tilde{H}_{d,0}} \end{aligned} \quad (4.87)$$

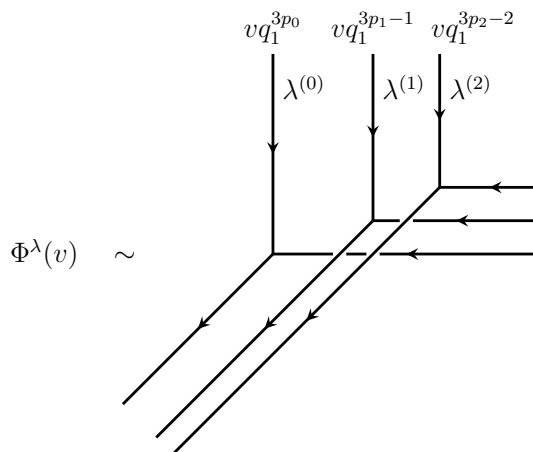


Figure 4. The intertwiner of Fock representations of $U_{q=1,0}(\widehat{\mathfrak{gl}}_3)$ drawn in terms of the intertwiners of Fock representations of $U_{q=1,0}(\widehat{\mathfrak{gl}}_1)$. The Young diagrams $\lambda^{(d)}$ on the vertical legs are the *quotients* of the Young diagram λ , and the spectral parameters of the vertical legs depend on the *shifts* p_c obtained from the quotient construction. More details on the quotients of Young diagrams are collected in appendix E.

Eventually, we get the key result

$$\Phi_{\lambda}^{(q_1)}(v) \sim \prod_{d=0}^{N-1} e^{p_d \tilde{\alpha}_d} \left(q_1^{-N|\lambda^{(d)}| - \frac{1}{2} N p_d (p_d + 1) + d p_d + \sum_{f=0}^{N-1} \lfloor \frac{d-f}{N} \rfloor p_f} v^{-p_d} \right)^{\tilde{H}_{d,0}} \Psi_{\lambda^{(d)}}^{(q_1^N)} \left(q_1^{N p_d - d} v, \tilde{H}_{d,r} \right) \tag{4.88}$$

where we have omitted the scalar prefactors. Several remarks are in order:

1. Each operator Ψ acts on its own horizontal Fock space with the bosonic operators $\tilde{H}_{d,r}$, which are completely decoupled from each other. The vertical quotient diagrams $\lambda^{(d)}$ are also independent.
2. The normal ordering in the product in eq. (4.88) has been omitted, since each factor is already normal ordered, and the bosons $\tilde{H}_{d,r}$ commute for different d .
3. The Abelian intertwiners in the r.h.s. of eq. (4.88) have the equivariant parameter q_1^N , i.e. one can view the corresponding Ω -background as a N -sheeted covering of the original one with parameter q_1 .
4. The *shifts* p_d enter only as shifts of the spectral parameter v . Thus, the vertical legs on which the intertwiner acts do not coincide, but are shifted with respect to their center of mass position v by $q^{N p_d - d}$. Notice also that the shifts are *integer* powers of q_1 .

Overall, since we have expressed the non-Abelian intertwiner as a product of the Abelian ones, we can now draw a *network matrix model* picture for it, see figure 4. The non-Abelian intertwiner acts in the tensor product of N horizontal Fock spaces and N vertical Fock spaces. The latter have the basis labelled by the N -tuple of Young diagrams

$\lambda^{(d)}$. The spectral parameters on the vertical legs are obtained from the original one v and the shifts p_c , while those on the horizontal legs are encoded in the momenta (zero modes) of the corresponding bosonic fields. The Fock spaces are intertwined pairwise by the usual triple topological vertices so that, as a result, one gets a tensor product of N horizontal Fock spaces.

From the physical point of view, the phenomenon we observe in this computation is that of symmetry enhancement. The Abelian intertwiner corresponds to a triple junction of three Type IIB (p, q) -branes, each of them being represented by a Fock space in the algebraic picture. The DIM algebra plays the role of the “worldvolume gauge symmetry” of the brane. Since there is only one brane, the symmetry is essentially Abelian, hence, represented by the *Abelian* DIM algebra $U_{q,t}(\widehat{\mathfrak{gl}}_1)$.

One can consider a triple junction of a *stack* of N (p, q) -branes. If the branes in the stack are far apart then on each of them there is still an Abelian algebra acting. However, when we move the branes closer together, the symmetry will be enhanced. The natural candidate for the enhanced symmetry algebra is $U_{q,t}(\widehat{\mathfrak{gl}}_N)$. *A priori* it is nontrivial that the triple junction of stacks of branes factorizes into a product of non-interacting triple junctions. Our computation shows that at least in the unrefined limit this is, indeed, the case: the branes pass through each other and form the junctions just in the way they used to when they were far apart. Perhaps one can interpret this effect as conservation of certain protected quantities.

5 Level one KZ equation and Nekrasov function for ALE space

Let us define the \mathcal{T} -operator [55, 56] as a bilinear composition of the intertwiners

$$\mathcal{T}_\mu^\lambda(N, u|z, w) := \Phi_\mu^*(N + 1, -zu|w)\Phi^\lambda(N, u|z) : \mathcal{F}_u^{(1,N)} \longrightarrow \mathcal{F}_{-zu}^{(1,N+1)} \longrightarrow \mathcal{F}_{zu/w}^{(1,N)}, \quad (5.1)$$

where (z, λ) and (w, μ) label the states in the incoming and the outgoing vertical Fock space, respectively. In some of the computations below, it is necessary to change the level N and the spectral parameter u of the horizontal Fock space. We also introduce a function $\tilde{G}_{\lambda\mu}(z)$ by the normal ordering of the oscillator part²³

$$\Phi_\mu^*(w)\Phi^\lambda(z) = \tilde{G}_{\lambda\mu}(\mathfrak{q}^{-1}z/w) : \Phi_\mu^*(w)\Phi^\lambda(z) : . \quad (5.2)$$

As we will see below, in the construction of algebraic solutions to the (q, t) -KZ equation, $\tilde{G}_{\lambda\mu}(\mathfrak{q}^{-1}z/w)$ plays a role similar to the two point function (the propagator) in the computation of correlation functions based on the Wick theorem for the free fields. From the structure of the intertwiners

$$\Phi^\lambda(z) \sim: \prod_{(i,j) \in \lambda} \eta_{\vec{c}(i,j)}(q_1^{j-1}q_3^{i-1}z) \cdot \Phi_\emptyset(z) : , \quad \Phi_\lambda^*(w) \sim: \prod_{(i,j) \in \lambda} \xi_{\vec{c}(i,j)}(q_1^{j-1}q_3^{i-1}w) \cdot \Phi_\emptyset^*(w) : , \quad (5.3)$$

²³We keep the ordering of the zero mode part in (5.2). The insertion of \mathfrak{q}^{-1} is for later convenience.

with the free field realization

$$\eta_i(z) = V_i^{(-)}\left(\mathfrak{q}^{-\frac{1}{2}}z\right)V_i^{(+)}\left(\mathfrak{q}^{\frac{1}{2}}z\right), \quad \xi_i(z) = V_i^{(-)}\left(\mathfrak{q}^{\frac{1}{2}}z\right)^{-1}V_i^{(+)}\left(\mathfrak{q}^{-\frac{1}{2}}z\right)^{-1}, \quad (5.4)$$

all the OPE relations (the two point functions) of the intertwiners are expressed in terms of the single function $\tilde{G}_{\lambda\mu}(z)$;

$$\Phi^\mu(w)\Phi^\lambda(z) = \tilde{G}_{\lambda\mu}(\mathfrak{q}^{-2}z/w)^{-1} : \Phi^\mu(w)\Phi^\lambda(z) :, \quad (5.5)$$

$$\Phi^\mu(w)\Phi_\lambda^*(z) = \tilde{G}_{\lambda\mu}(\mathfrak{q}^{-1}z/w) : \Phi^\mu(w)\Phi_\lambda^*(z) :, \quad (5.6)$$

$$\Phi_\mu^*(w)\Phi_\lambda^*(z) = \tilde{G}_{\lambda\mu}(z/w)^{-1} : \Phi_\mu^*(w)\Phi_\lambda^*(z) :. \quad (5.7)$$

Recall that the vacuum components are given by

$$\Phi_\emptyset(z) = \tilde{V}_k^{(-)}\left(\mathfrak{q}^{\frac{1}{2}}z\right)\tilde{V}_k^{(+)}\left(\mathfrak{q}^{\frac{3}{2}}z\right)^{-1}, \quad \Phi_\emptyset^*(w) = \tilde{V}_k^{(-)}\left(\mathfrak{q}^{\frac{3}{2}}w\right)^{-1}\tilde{V}_k^{(+)}\left(\mathfrak{q}^{\frac{1}{2}}w\right) \quad (5.8)$$

with the commutation relation

$$[\Lambda_{i,r}, \Lambda_{j,s}] = -\delta_{r+s,0} \frac{b_{ij}^{[r]}}{r}. \quad (5.9)$$

Since the diagonal component of inverse of the deformed Cartan matrix is

$$b_{ii}(\mathfrak{q}, \mathfrak{d}) = \frac{[n]}{\left(q_1^{\frac{n}{2}} - q_1^{-\frac{n}{2}}\right)\left(q_3^{\frac{n}{2}} - q_3^{-\frac{n}{2}}\right)}, \quad (5.10)$$

we find

$$\tilde{G}_{\emptyset\emptyset}(z) = \exp\left(\sum_{r=1}^{\infty} \frac{1}{r} \frac{[nr]}{[r]} \frac{\mathfrak{q}^r z^r}{\left(q_1^{\frac{nr}{2}} - q_1^{-\frac{nr}{2}}\right)\left(q_3^{\frac{nr}{2}} - q_3^{-\frac{nr}{2}}\right)}\right). \quad (5.11)$$

When $n \rightarrow 1$, $\tilde{G}_{\emptyset\emptyset}(z)$ simplifies to

$$\tilde{G}_{\emptyset\emptyset}(z) \rightarrow \exp\left(\sum_{r=1}^{\infty} \frac{1}{r} \frac{z^r}{(1-q_1^r)(1-q_3^r)}\right). \quad (5.12)$$

In topological string theory, $\tilde{G}_{\emptyset\emptyset}(z)$ gives the amplitude of the conifold and is the origin of the ‘‘anomalous’’ factor in the \mathcal{RTT} relation [55]. In the following, we renormalize the function $\tilde{G}_{\lambda\mu}$ by

$$G_{\lambda\mu}(z) = \tilde{G}_{\lambda\mu}(z)/\tilde{G}_{\emptyset\emptyset}(z), \quad (5.13)$$

so that $G_{\emptyset\emptyset}(z) = 1$.

5.1 Shift operator and \mathcal{R} -matrix

From the combinations of the \mathfrak{q} -shift in the vertex operators, we can see that when the ratio of the incoming and the outgoing spectral parameters is $\mathfrak{q}^{\pm 1}$, the diagonal components of the \mathcal{T} -operator have no positive or negative modes. Namely, if we define

$$T_\lambda^+(N, u|z) := \mathcal{T}_\lambda^\lambda(N, u|\mathfrak{q}z, z) : \mathcal{F}_u^{(1,N)} \longrightarrow \mathcal{F}_{\mathfrak{q}u}^{(1,N)}, \quad (5.14)$$

$$T_\lambda^-(N, u|z) := \mathcal{T}_\lambda^\lambda(N, u|z, \mathfrak{q}z) : \mathcal{F}_u^{(1,N)} \longrightarrow \mathcal{F}_{\mathfrak{q}^{-1}u}^{(1,N)}, \quad (5.15)$$

these operators satisfy

$$T_\lambda^+(N, u|z)|\emptyset\rangle = c_\lambda^+|\emptyset\rangle, \quad \langle\emptyset|T_\lambda^-(N, u|z) = c_\lambda^- \langle\emptyset|, \quad (5.16)$$

with

$$c_\lambda^\pm = \frac{t_\lambda t_\lambda^* \mathfrak{q}^{\mp(N+1)|\lambda|_0}}{C_\lambda C_\lambda' f_\lambda} \tilde{G}_{\lambda\lambda}(\mathfrak{q}^{-1\pm 1}). \quad (5.17)$$

Actually $T_\lambda^\pm(N, u|z)$ is independent of the horizontal spectral parameter u , and the dependence on the level N is simply

$$T_\lambda^\pm(N+1, u|z) = \mathfrak{q}^{\mp|\lambda|_0} T_\lambda^\pm(N, u|z). \quad (5.18)$$

A crucial point in deriving the KZ equation is that the \mathfrak{q}^{-2} -shift of the intertwining operators is realized as the action of $T_\lambda^\pm(z)$ and their inverses as follows:

$$\begin{aligned} & \Phi^\lambda(N, \mathfrak{q}u|\mathfrak{q}^{-2}z) \\ &= \mathfrak{q}^{-2|\lambda|_0} \frac{\tilde{G}_{\lambda\lambda}(1)}{\tilde{G}_{\lambda\lambda}(\mathfrak{q}^{-2})} T_\lambda^-(N+1, -uz|\mathfrak{q}^{-2}z) \Phi^\lambda(N, u|z) T_\lambda^+(N, u|\mathfrak{q}^{-1}z)^{-1}, \end{aligned} \quad (5.19)$$

$$\begin{aligned} & \Phi_\lambda^*(N+1, \mathfrak{q}^{-1}u|\mathfrak{q}^{-2}z) \\ &= \mathfrak{q}^{2|\lambda|_0} \frac{\tilde{G}_{\lambda\lambda}(\mathfrak{q}^{-2})}{\tilde{G}_{\lambda\lambda}(1)} T_\lambda^-(N, -\frac{\mathfrak{q}u}{z}|\mathfrak{q}^{-1}z)^{-1} \Phi_\lambda^*(N+1, u|z) T_\lambda^+(N+1, \mathfrak{q}^{-1}u|\mathfrak{q}^{-2}z), \end{aligned} \quad (5.20)$$

where we have used

$$\Phi^\lambda(N, \mathfrak{q}u|z) = \mathfrak{q}^{|\lambda|_0} \Phi^\lambda(N, u|z), \quad \Phi_\lambda^*(N+1, \mathfrak{q}u|z) = \mathfrak{q}^{-|\lambda|_0} \Phi_\lambda^*(N+1, u|z). \quad (5.21)$$

Due to relation (5.23) to be discussed below, the prefactor can be simplified to

$$\left(\frac{\tilde{G}_{\emptyset\emptyset}(1)}{\tilde{G}_{\emptyset\emptyset}(\mathfrak{q}^{-2})} \right)^{\pm 1} = \exp \left(\pm \sum_{r=1}^{\infty} \frac{1}{r} \frac{(q_2^{\frac{nr}{2}} - q_2^{-\frac{nr}{2}})}{(q_1^{\frac{nr}{2}} - q_1^{-\frac{nr}{2}})(q_3^{\frac{nr}{2}} - q_3^{-\frac{nr}{2}})} \right). \quad (5.22)$$

It is instructive to count the power of \mathfrak{q} on both sides of these relations. We can see the factor $\mathfrak{q}^{\pm(1+2N)|\lambda|_0}$ (the positive sign for (5.19) and the negative sign for (5.20)). Since $\mathfrak{q} = (t/q)^{1/2}$, the shift parameter is the same as in the \mathfrak{gl}_1 case [57]. It should be noticed that the \mathfrak{q}^{-2} -shift of the vertical spectral parameter is accompanied by a shift of the horizontal parameter $\mathfrak{q}^{\pm 1}u$, which is consistent with the fact that T_λ^\pm and $(T_\lambda^\mp)^{-1}$ shift the horizontal spectral parameter by $\mathfrak{q}^{\pm 1}$, while keeping the level N .

In order to derive the KZ equation based on (5.19) and (5.20), we have to use the commutation relations between the intertwiners and $T_\lambda^\pm(N, u|z)$ which follow from those among the intertwiners. Let us begin with the commutation relations of $\Phi^\lambda(z)$ and $\Phi_\mu^*(w)$. We want to require them to commute up to the anomalous factor $\tilde{G}_{\emptyset\emptyset}(z)$ so that we have a simple algebra of two copies of the Zamolodchikov algebra satisfied separately by $\Phi^\lambda(z)$ and $\Phi_\mu^*(w)$. In the computation of the commutation relation, it is important that the exchange of $\Phi^\lambda(z)$ and $\Phi_\mu^*(w)$ changes the level and the spectral parameter of the horizontal representation. It also involves the exchange of the zero mode factors z^λ and

z_μ^* , which are the group algebra parts (4.22), (4.29) of the (dual) intertwiner. We find that the above requirement is satisfied if and only if²⁴

$$G_{\lambda\mu}(\mathfrak{q}^{-1}u/v)z_\mu^*(v)z_\lambda(u) = \left(\frac{u}{v}\right)^{|\lambda|_0+|\mu|_0} \frac{f_\lambda(q_1, q_3)}{f_\mu(q_1, q_3)} G_{\mu\lambda}(\mathfrak{q}^{-1}(u/v)^{-1})z_\lambda(u)z_\mu^*(v), \quad (5.23)$$

where $f_\lambda(q_1, q_3)$ is the generalized framing factor (4.23), and $|\lambda|_0$ denotes the number of boxes with color 0 in λ . In appendix D, we prove (5.23).

Using the relation (5.23), we can write down the commutation relations of the intertwiners as follows,²⁵

$$\Phi_\mu^*(w)\Phi^\lambda(z) = \Upsilon^{(0)}(z/w)\Phi^\lambda(z)\Phi_\mu^*(w), \quad (5.24)$$

$$\Phi^\mu(w)\Phi^\lambda(z) = \Upsilon^{(+)}(z/w)\mathcal{R}_{\lambda\mu}(z/w)\Phi^\lambda(w)\Phi^\mu(z), \quad (5.25)$$

$$\Phi_\mu^*(w)\Phi_\lambda^*(z) = \Upsilon^{(-)}(z/w)\mathcal{R}_{\lambda\mu}^{-1}(z/w)\Phi_\lambda^*(w)\Phi_\mu^*(z), \quad (5.26)$$

where we have introduced the \mathcal{R} -matrix defined by

$$\mathcal{R}_{\lambda\mu}(z) = \mathfrak{q}^{-H(\lambda, \mu)} \frac{G_{\lambda\mu}(z)}{G_{\lambda\mu}(\mathfrak{q}^{-2}z)}, \quad (5.27)$$

where

$$H(\lambda, \mu) = \#\{s \in \lambda | h_{\mu, \lambda}(s) \equiv 0\} + \#\{t \in \mu | h_{\lambda, \mu}(t) \equiv 0\}. \quad (5.28)$$

When there are no constraints on the relative hook length, $H(\lambda, \mu) = |\lambda| + |\mu|$, and (5.27) reduces to the definition for the \mathfrak{gl}_1 case [55, 56]. $\Upsilon^{(0, \pm)}(z)$ stands for the anomalous factor

$$\Upsilon^{(+)}(z) = \frac{\tilde{G}_{\emptyset\emptyset}(\mathfrak{q}^{-2}z^{-1})}{\tilde{G}_{\emptyset\emptyset}(\mathfrak{q}^{-2}z)}, \quad \Upsilon^{(0)}(z) = \frac{\tilde{G}_{\emptyset\emptyset}(\mathfrak{q}^{-1}z)}{\tilde{G}_{\emptyset\emptyset}(\mathfrak{q}^{-1}z^{-1})}, \quad \Upsilon^{(-)}(z) = \frac{\tilde{G}_{\emptyset\emptyset}(z^{-1})}{\tilde{G}_{\emptyset\emptyset}(z)}, \quad (5.29)$$

which satisfies $\Upsilon^{(0, \pm)}(z)\Upsilon^{(0, \pm)}(z^{-1}) = 1$. Note that the relation (5.23) implies

$$\mathcal{R}_{\lambda\mu}(z)\mathcal{R}_{\mu\lambda}(z^{-1}) = 1. \quad (5.30)$$

The definition of the \mathcal{R} -matrix (5.27) is justified by the fact that we can derive the following \mathcal{RTT} relation by a computation similar to the \mathfrak{gl}_1 case [55, 56],

$$\mathcal{R}_{\lambda\mu}(z_1/z_2)\mathcal{T}_\nu^\lambda(z_1, w_1)\mathcal{T}_\rho^\mu(z_2, w_2) = \mathcal{T}_\rho^\mu(z_2, w_2)\mathcal{T}_\nu^\lambda(z_1, w_1)\mathcal{R}_{\nu\rho}(w_1/w_2), \quad (5.31)$$

up to the anomalous factor from the vacuum contribution.

²⁴As we will see in the next subsection, $G_{\lambda\mu}(z)$ agrees with the Nekrasov factor $N_{\lambda\mu}(z)$ on $ALE_n \times S^1$ (5.33). Thus the formula (5.23) is a generalization of the usual symmetry of the Nekrasov factor incorporating the contribution of zero modes.

²⁵See also the computations in appendix D.

5.2 Relation to K -theoretic Nekrasov function for ALE space

Difference of the Nekrasov functions for the flat space and the ALE space is in the selection rule for the boxes of the Young diagram. The selection rule is a consequence of taking the invariant part of the character under the orbifold action of \mathbb{Z}_{n+1} on \mathbb{C}^2 . To define the selection rule, we introduce the relative hook length

$$h_{\lambda,\mu}(s) = a_\mu(s) + \ell_\lambda(s) + 1. \tag{5.32}$$

Then the building block (the bifundamental matter contribution) of the five-dimensional Nekrasov function for instanton counting on $ALE_n \times S^1$ is given by [140, 141]

$$N_{\lambda\mu}(u; q_1, q_3) = \prod_{\substack{s \in \lambda \\ h_{\mu,\lambda}(s) \equiv 0}} \left(1 - u q_1^{a_\lambda(s)} q_3^{-\ell_\mu(s)-1}\right) \prod_{\substack{t \in \mu \\ h_{\lambda,\mu}(t) \equiv 0}} \left(1 - u q_1^{-a_\mu(t)-1} q_3^{\ell_\lambda(t)}\right). \tag{5.33}$$

The following specialization of $N_{\lambda\mu}(u; q_1, q_3)$ is related to the normalization factor of the intertwiners:

$$N_{\lambda\lambda}(1; q_1, q_3) = C_\lambda(q_1, q_3) C'_\lambda(q_1^{-1}, q_3^{-1}). \tag{5.34}$$

In [142, 143], the \mathfrak{gl}_n version of the Jack polynomials (Uglov polynomials) is obtained by taking the roots of unity limit of the Macdonald polynomials. The Uglov polynomials play an important role in the four-dimensional (Yangian) version of AGT correspondence for the Nekrasov partition function on the ALE space [144–149]. Since our current problem should be related to a five-dimensional uplift of this story, we expect the normalization factor of the intertwiner is closely related to the norm of an uplift of the Uglov polynomials as a generalization of the uplift of the Jack polynomials to the Macdonald polynomials. Though such an uplift is not available at the moment, we can guess the normalization factor from that of the Uglov polynomials given in [143].

$$(\lambda|\lambda)_{q_1, q_3} = \frac{C'_\lambda(q_1, q_3)}{C_\lambda(q_1, q_3)}. \tag{5.35}$$

See also Lemma 2 in appendix A. At the CFT side, the uplift might be related to q -deformed \mathcal{W} -coset models. We can expect the same level-rank duality as in the undeformed case, since the character is invariant under the q -deformation. It is interesting to see how the level-rank duality is realized in the setting of quantum toroidal algebras.

Now we argue that the renormalized two-point function $G_{\lambda\mu}(z)$ of the intertwiners is nothing but the bifundamental matter contribution (5.33) on the ALE space. By a direct computation of the OPE factors between $\Phi_\emptyset^*(v)$ and $\Phi^\lambda(u)$, we obtain

$$\begin{aligned} G_{\lambda\emptyset}\left(\mathfrak{q}^{-1} \frac{z}{w}\right) &= \prod_{\substack{(i,j) \in \lambda \\ i-j \equiv 0}} \left(1 - \mathfrak{q}^{-1} q_1^{j-1} q_3^{i-1} \frac{z}{w}\right) \\ &= \prod_{\substack{s \in \lambda \\ a_\lambda(s) + \ell_\emptyset(s) + 1 \equiv 0}} \left(1 - \mathfrak{q}^{-1} q_1^{a_\lambda(s)} q_3^{-\ell_\emptyset(s)-1} \frac{z}{w}\right) = N_{\lambda\emptyset}\left(\mathfrak{q}^{-1} \frac{z}{w}; q_1, q_3\right), \end{aligned} \tag{5.36}$$

where, in the second equality, we convert the summation over the co-arm length $j - 1$ in each row ($1 \leq j \leq \lambda_i$) to that over the arm length $\lambda_i - j$ and use $\ell_{\emptyset}(i, j) = -i$.

In general, from the normal ordering

$$\xi_{\ell} \left(q_1^{\mu_j} q_3^{j-1} w \right) \Phi^{\lambda}(z) = \frac{\prod_{\substack{i=1, \\ i-\lambda_i \equiv \ell+1}}^{\ell(\lambda)+1} \left(1 - \mathfrak{q}^{-1} q_1^{\lambda_i - \mu_j - 1} q_3^{i-j-1} z/w \right)}{\prod_{\substack{i=1, \\ i-\lambda_i \equiv \ell}}^{\ell(\lambda)} \left(1 - \mathfrak{q}^{-1} q_1^{\lambda_i - \mu_j - 1} q_3^{i-j} z/w \right)} : \xi_{\ell} \left(q_1^{\mu_j} q_3^{j-1} w \right) \Phi^{\lambda}(z) : \quad (5.37)$$

for $\ell \equiv j - \mu_j - 1$, we obtain a recursion relation for $G_{\lambda\mu}(u)$ with respect to the second diagram μ ,

$$G_{\lambda\mu+1_j}(\mathfrak{q}^{-1}z/w) = \frac{\prod_{\substack{i=1, \\ i-\lambda_i \equiv \ell+1}}^{\ell(\lambda)+1} \left(1 - \mathfrak{q}^{-1} q_1^{\lambda_i - \mu_j - 1} q_3^{i-j-1} z/w \right)}{\prod_{\substack{i=1, \\ i-\lambda_i \equiv \ell}}^{\ell(\lambda)} \left(1 - \mathfrak{q}^{-1} q_1^{\lambda_i - \mu_j - 1} q_3^{i-j} z/w \right)} G_{\lambda\mu}(\mathfrak{q}^{-1}z/w). \quad (5.38)$$

In appendix C, we prove that $N_{\lambda\mu}(u; q_1, q_3)$ satisfies exactly the same recursion relation. Thus, we have

$$G_{\lambda\mu}(u) = N_{\lambda\mu}(u; q_1, q_3). \quad (5.39)$$

5.3 Level one KZ equation for $U_{\mathfrak{q}, \mathfrak{d}}(\widehat{\mathfrak{gl}}_n)$

From the commutation relations between the intertwiners, we obtain the following commutation relations of the \mathcal{T} -operator and the intertwiners:

$$\mathcal{T}_{\mu}^{\lambda}(z, w) \Phi^{\kappa}(z') = \Upsilon^{(0)}(z'/w) \Upsilon^{(+)}(z'/z) \mathcal{R}_{\kappa\lambda}(z'/z) \Phi^{\kappa}(z') \mathcal{T}_{\mu}^{\lambda}(z, w), \quad (5.40)$$

$$\mathcal{T}_{\mu}^{\lambda}(z, w) \Phi_{\nu}^{*}(w') = \Upsilon^{(0)}(w'/z) \Upsilon^{(-)}(w'/w) \mathcal{R}_{\nu\mu}(w'/w)^{-1} \Phi_{\nu}^{*}(w') \mathcal{T}_{\mu}^{\lambda}(z, w). \quad (5.41)$$

It is convenient to introduce a universal function that is the \mathfrak{q}^{-2} -difference of the vacuum anomalous factor

$$\bar{\Upsilon}(z) := \frac{\tilde{G}_{\emptyset\emptyset}(z)}{\tilde{G}_{\emptyset\emptyset}(\mathfrak{q}^{-2}z)} \quad (5.42)$$

and define a renormalized \mathcal{R} -matrix by

$$\bar{\mathcal{R}}_{\lambda\mu}(z) := \bar{\Upsilon}(z) \mathcal{R}_{\lambda\mu}(z) = \mathfrak{q}^{-H(\lambda, \mu)} \frac{\tilde{G}_{\lambda\mu}(z)}{\tilde{G}_{\lambda\mu}(\mathfrak{q}^{-2}z)}. \quad (5.43)$$

It is amusing that a similar decomposition takes place for the \mathcal{R} -matrix for the tensor product of evaluation representations of the quantum affine algebra [87]. Here the vertical

Fock representation of the quantum toroidal algebra plays the role of the evaluation representation [150]. With the renormalized \mathcal{R} -matrix, the commutation relations between the shift operator $T_\lambda^\pm(z)$ and the intertwiners take the following simple form:

$$T_\lambda^+(N+1, -wu|z) \Phi^\mu(N, u|w) = \overline{\mathcal{R}}_{\mu\lambda}(w/\mathfrak{q}z) \Phi^\mu(N, \mathfrak{q}u|w) T_\lambda^+(N, u|z), \quad (5.44)$$

$$\Phi^\mu(N, \mathfrak{q}^{-1}u|w) T_\lambda^-(N, u|z) = \overline{\mathcal{R}}_{\lambda\mu}(z/w) T_\lambda^-(N+1, -wu|z) \Phi^\mu(N, u|w), \quad (5.45)$$

$$T_\lambda^+\left(N, -\frac{u}{w}|z\right) \Phi_\mu^*(N+1, u|w) = \overline{\mathcal{R}}_{\mu\lambda}(w/z)^{-1} \Phi_\mu^*(N+1, \mathfrak{q}u|w) T_\lambda^+(N+1, u|z), \quad (5.46)$$

$$\Phi_\mu^*(N+1, \mathfrak{q}^{-1}u|w) T_\lambda^-(N+1, u|z) = \overline{\mathcal{R}}_{\lambda\mu}(\mathfrak{q}z/w)^{-1} T_\lambda^-\left(N, -\frac{u}{w}|z\right) \Phi^\mu(N+1, u|w). \quad (5.47)$$

After commuting with T^\pm -operators, there is the $\mathfrak{q}^{\pm 1}$ -shift of the horizontal parameter of the intertwiners, while the level of T^\pm itself changes. Let us derive an $((q, t)$ -KZ) equation for the correlation function of the intertwiners

$$\mathcal{G}^{(n,m)}(v|\vec{z}, \vec{\lambda}; \vec{w}, \vec{\mu}) = \langle \emptyset | \Phi_{\mu_1}^*(w_1) \cdots \Phi_{\mu_m}^*(w_m) \Phi^{\lambda_1}(z_1) \cdots \Phi^{\lambda_n}(z_n) | \emptyset \rangle, \quad (5.48)$$

where v is the incoming (rightmost) spectral parameter of the horizontal representations. Without loss of generality, we can assume that the right vacuum belongs to the level $(1, 0)$ representation. Then the left vacuum belongs to the level $(1, n - m)$ representation. The other horizontal spectral parameters are determined by the conservation law for the existence of the intertwining operator. The difference operator $\mathfrak{q}^{-2x\partial_x}$ acting on each intertwiner produces an insertion of $T_\lambda^\pm(z)$ according to (5.19) and (5.20). Using the commutation relations (5.44) – (5.47), we can then move T_λ^- to the left and T_λ^+ to the right. Finally acting on the (dual) vacuum, $T_\lambda^\pm(z)$ produces the prefactors c_λ^\pm given by (5.16) which cancel \tilde{G} function in (5.19) and (5.20). The remaining factor comes only from the level dependent part of c_λ^\pm and from the assumption on the level of vacua $|\emptyset\rangle$ and $\langle\emptyset|$ we obtain the factor $\mathfrak{q}^{\pm(n-m)|\lambda_k|_0}$. In this way we can write down the (q, t) -KZ equation;

$$\begin{aligned} & \mathfrak{q}^{-2z_k\partial_{z_k} + v\partial_v} \cdot \mathcal{G}^{(n,m)}(v|\vec{z}, \vec{\lambda}; \vec{w}, \vec{\mu}) \\ &= \mathfrak{q}^{(n-m)|\lambda_k|_0} \prod_{\ell=1}^m \overline{\mathcal{R}}_{\lambda_k\mu_\ell}(z_k/\mathfrak{q}w_\ell)^{-1} \prod_{i<k} \overline{\mathcal{R}}_{\lambda_k\lambda_i}(z_k/\mathfrak{q}^2z_i) \prod_{k<j} \overline{\mathcal{R}}_{\lambda_j\lambda_k}(z_j/z_k)^{-1} \mathcal{G}^{(n,m)}(v), \end{aligned} \quad (5.49)$$

and

$$\begin{aligned} & \mathfrak{q}^{-2w_k\partial_{w_k} - v\partial_v} \cdot \mathcal{G}^{(n,m)}(v|\vec{z}, \vec{\lambda}; \vec{w}, \vec{\mu}) \\ &= \mathfrak{q}^{(m-n)|\mu_k|_0} \prod_{i<k} \overline{\mathcal{R}}_{\mu_k\mu_i}(w_k/w_i) \prod_{k<j} \overline{\mathcal{R}}_{\mu_j\mu_k}(\mathfrak{q}^2w_j/w_k)^{-1} \prod_{\ell=1}^n \overline{\mathcal{R}}_{\lambda_\ell\mu_k}(\mathfrak{q}z_\ell/w_k) \mathcal{G}^{(n,m)}(v). \end{aligned} \quad (5.50)$$

The additional operator $\mathfrak{q}^{\pm v\partial_v}$ accounts for the shift of the horizontal parameter in (5.19) and (5.20). Note that since all the horizontal parameters are proportional to the initial parameter v , all of them are shifted by $\mathfrak{q}^{\pm 1}$. After commuting the intertwiners with the operators $T_{\lambda_k}^\pm$ or $T_{\mu_k}^\pm$, the shifted horizontal parameters get back to the original values.

5.4 Nekrasov function as algebraic solutions to KZ equation

The Nekrasov function for the $U(1)$ gauge theory on the ALE space satisfies the (q, t) -KZ equation derived in the last subsection. This solution does not require any screening operators and, hence, there are no integrations associated with the screening operators. In this sense, the Nekrasov function for the $U(1)$ gauge theory gives an algebraic solution to the (q, t) -KZ equation. For the $U(N)$ gauge theory, one could need screening operators, and we have to glue N building blocks, with each block being an appropriate Nekrasov functions for the $U(1)$ theory.

To construct algebraic solutions to the (q, t) -KZ equation, let us introduce the “modified” two point function

$$F_{\lambda\mu}(z) := z^{-\frac{1}{2}(H(\lambda,\mu)+|\mu|_0-|\lambda|_0)} \cdot \tilde{G}_{\lambda\mu}(z), \tag{5.51}$$

which satisfies a fundamental difference equation

$$F_{\lambda\mu}(q^{-2}z) = q^{|\mu|_0-|\lambda|_0} \overline{\mathcal{R}}_{\lambda\mu}^{-1}(z) F_{\lambda\mu}(z). \tag{5.52}$$

Then one can check

$$\mathcal{G}^{(n,m)}(v|\vec{z}, \vec{\lambda}; \vec{w}, \vec{\mu}) = v^{|\vec{\lambda}|_0-|\vec{\mu}|_0} \frac{\prod_{i=1}^n \prod_{j=1}^m F_{\lambda_i \mu_j} \left(q^{-1} \frac{z_i}{w_j} \right)}{\prod_{1 \leq i < j \leq n} F_{\lambda_j \lambda_i} \left(q^{-2} \frac{z_j}{z_i} \right) \prod_{1 \leq k < \ell \leq m} F_{\mu_\ell \mu_k} \left(\frac{w_\ell}{w_k} \right)} \tag{5.53}$$

satisfies both the (q, t) -KZ equations (5.49) and (5.50).

6 Modular and periodic properties of double elliptic systems from $U_{q,t}(\widehat{\mathfrak{gl}}_1)$ network matrix model

Let us use solutions to the elliptic KZ equations for $U_{q,t}(\widehat{\mathfrak{gl}}_1)$ obtained in [57] to deduce the properties of the $6d$ $U(N)$ gauge theories with adjoint hypermultiplet of mass m compactified on a torus T^2 . These systems are described by the double elliptic integrable systems [104–106] and possess remarkable modular properties [85]. The partition function, or prepotential, of the double elliptic system depends on the bare complexified coupling constant τ of the gauge theory and on the complex structure modulus of the compactification torus $\hat{\tau}$. S -duality can be thought of as the symmetry of the theory with respect to inversion of the coupling constant, $\tau \mapsto -\frac{1}{\tau}$. However, in the double elliptic case, this transformation is mixed with the transformation of the compactification torus so that its complex structure is shifted $\hat{\tau} \mapsto \hat{\tau} - N \frac{m(m+\varepsilon_1+\varepsilon_2)}{\tau}$. We will derive this transformation from the exact solution of the elliptic KZ equations, which can be understood as the network matrix model correlator. It also gives the basic building block of the $6d$ version of Nekrasov functions.

From string theory considerations, one can also argue that the partition function of the $6d$ theory should be doubly periodic in the mass parameter, e.g. $m \mapsto m + 1$ or $m \mapsto m + \hat{\tau}$

should leave it invariant. Upon closer look, however, there is a surprise here: when shifting the mass by $\hat{\tau}$, one also needs to shift the coupling constant $\tau \mapsto \tau + N(\hat{\tau} + 2m + \varepsilon_1 + \varepsilon_2)$. This seemingly mysterious shift can be also explained from the network matrix model picture, which we redraw here (for $N = 2$):

$$Z(Q, Q_{\perp}, P, P_{\perp}, \vec{z}) = \text{Diagram} \tag{6.1}$$

The algebraic expression corresponding to this picture reads

$$Z(Q, Q_{\perp}, P, P_{\perp}, \vec{z}) = \sum_{\lambda_1, \dots, \lambda_N} P_{\perp}^{|\lambda|} \text{Tr}_{\mathcal{F}_u^{(1,0)}} \left(Q^d Q_{\perp}^{d_{\perp}} \Psi_{\lambda_1}^*(P z_1) \cdots \Psi_{\lambda_N}^*(P z_N) \Psi^{\lambda_1}(z_1) \cdots \Psi^{\lambda_N}(z_N) \right) \tag{6.2}$$

In eq. (6.1) we have introduced the grading operators $Q^d Q_{\perp}^{d_{\perp}}$ counting the states of a given degree just as in the ordinary characters of affine algebra representations V_{μ} :

$$\text{ch}_{\mu}(Q) = \text{Tr}_{V_{\mu}} Q^d \tag{6.3}$$

where d is the grading operator counting the modes in the loop algebra. An important difference between compactified DIM networks and the characters ch_{μ} is that, in the DIM case, there are *two* grading directions and *two* grading operators d and d_{\perp} . This happens because the DIM algebra is essentially a double loop algebra. However, we cannot simply write a generalization of character as

$$\text{“ch}_{\mathcal{F}_u^{(k_1, k_2)}}(Q, Q_{\perp}) = \text{Tr}_{\mathcal{F}_u^{(k_1, k_2)}} Q^d Q_{\perp}^{d_{\perp}}\text{”} \tag{6.4}$$

at least not for the simplest representation, the Fock one $\mathcal{F}_u^{(k_1, k_2)}$. The problem is that the general grading operator $Q^d Q_{\perp}^{d_{\perp}}$ *shifts* the spectral parameter u of the Fock space $\mathcal{F}_u^{(k_1, k_2)}$, i.e. it does not map the representation space into itself. A pedantic reader might notice that what we have just stated actually means that Fock representations are strictly speaking *not* representations of the whole DIM algebra. Indeed, the Fock representations are counterparts of the *evaluation* representation of the affine algebra $\widehat{\mathfrak{g}}$, which are representations of the *loop algebra* $L\widehat{\mathfrak{g}}$, i.e. with zero central charge and *without* the action of the grading operator d . Evaluation representation ev_u is a representation in which all the modes j_n^a of affine currents $j^a(z)$ act in the same way, up to scalar factors:

$$j_n^a |\vec{v}, u\rangle = u^n |t^a \vec{v}, u\rangle, \tag{6.5}$$

where t^a denote the generators of the finite algebra. In particular, the action of modes of the Cartan generators can be simultaneously diagonalized. The grading operator d can be

introduced, but it transforms one evaluation representation into another one, shifting the spectral parameter u :

$$e^{zd}|\vec{v}, u\rangle = |\vec{v}, u + z\rangle \tag{6.6}$$

Similarly, the Fock representations $\mathcal{F}_u^{(k_1, k_2)}$ of the DIM algebra are representations in which a certain *linear combination* of central charges vanishes. Therefore, a certain linear combination of grading operators d and d_\perp transforms one Fock representation into another one, shifting the spectral parameter, while an orthogonal linear combination counts the level of the states in the representation. In other words, the Fock representation is an evaluation representation for a quantum affine (in the $\widehat{\mathfrak{gl}}_1$ case, simply Heisenberg) subalgebra of the DIM algebra with a particular slope (k_1, k_2) . The action of all the DIM generators can be expressed in terms of the action of just one Heisenberg subalgebra (with “slope” $(-k_2, k_1)$) of DIM. The action of the “orthogonal” DIM subalgebra with slope (k_1, k_2) , on the other hand, can be diagonalized on the whole Fock module and gives rise to the basis of Macdonald polynomials. Taking the trace of the grading operators (6.4) is forbidden for the same reason as the trace of Q^d over the evaluation representation ev_u : it simply makes no sense, since the operator does not act from the representation space into itself.

In general, the grading operator $Q^d Q_\perp^{d_\perp}$ changes the spectral parameter u of the Fock representation $\mathcal{F}_u^{(k_1, k_2)}$ of general slope (k_1, k_2) into $Q^{-k_2} Q_\perp^{k_1} u$:

$$Q^d Q_\perp^{d_\perp} : \mathcal{F}_u^{(k_1, k_2)} \rightarrow \mathcal{F}_{Q^{-k_2} Q_\perp^{k_1} u}^{(k_1, k_2)}, \tag{6.7}$$

or, pictorially,

$$\frac{u Q_\perp^{k_1} Q^{-k_2}}{(k_1, k_2)} \leftarrow \boxed{Q^d Q_\perp^{d_\perp}} \leftarrow \frac{u}{(k_1, k_2)} \tag{6.8}$$

One can notice that, at the r.h.s. of (6.7), the slope vector (k_1, k_2) and the fugacity vector $(\ln Q, \ln Q_\perp)$ are paired using the skew symmetric $SL(2, \mathbb{Z})$ -invariant bilinear form.

Instead of the trace (6.4), one thus needs to consider in addition to the grading operators a nontrivial network of the intertwiners which compensates for the shift of the spectral parameters. Eq. (6.1) provides an example of such a setup. The spectral parameters of the horizontal representations *before* and *after* the wavy lines are $u Q_\perp P^{-2}$ and u respectively. These spectral parameters have to coincide for the trace (represented by the wavy line) to be well-defined. We therefore tune $Q_\perp = P^2$ or, for generic N ,

$$Q_\perp = P^N \tag{6.9}$$

so that the whole network between the wavy lines does not shift the horizontal spectral parameter. We will not write Q_\perp among the arguments of the partition function $Z(Q, Q_\perp, P, P_\perp, \vec{z})$ henceforth.

The relations between the spectral parameters of the network and the gauge theory parameters are as follows:

$$\begin{aligned}
 Q &= e^{2\pi i \hat{\tau}}, & P_{\perp} &= e^{2\pi i \tau}, \\
 P &= e^{2\pi i \left(m + \frac{\epsilon_1 + \epsilon_2}{2}\right)}, & z_i &= e^{2\pi i a_i}, \\
 q &= e^{-2\pi i \epsilon_2}, & t &= e^{2\pi i \epsilon_1},
 \end{aligned}
 \tag{6.10}$$

where a_i are the Coulomb moduli. The periodicity of the partition function with respect to shifts of a , m , τ or $\hat{\tau}$ by 1 is automatic in this formalism. Notice that the picture we are considering is *almost* symmetric with respect to the exchange of the vertical and horizontal directions (the exchange is called Miki automorphism [70], spectral duality [151–159], or S -duality of Type IIB strings depending on the formalism). The asymmetry appears only in the number of lines. Thus we can predict that the *necklace quiver* $6d$ theory with the gauge group $U(N)^{\otimes N}$ will be spectral self-dual, i.e. symmetric with respect to the exchange of τ (a certain combination of the N coupling constants) and $\hat{\tau}$ accompanied by a suitable exchange of the vevs and masses of the bifundamental hypermultiplets. In particular, the $6d$ $U(1)$ theory with adjoint matter is spectral self-dual.

In the two subsequent sections, we will use the network matrix model formalism to deduce the modular and periodicity properties of the partition function (6.2). The derivation of the modular and periodicity properties from the DIM intertwiner picture gives the answer for the gauge theory in *arbitrary* Ω -background with all corrections in $\epsilon_{1,2}$ automatically taken into account.

6.1 Adjoint mass shift

Let us understand the transformation of the partition function when the mass is shifted by $\hat{\tau}$. To this end, we carefully use the commutation relations of the DIM algebra intertwiners and automorphisms. We start with the “double” (vertical and horizontal) trace of the intertwiners shown in figure 2.

The procedure breaks down into two steps which can be divided further into substeps:

1. Commutation of intertwiners. Let us move the intertwiners $\Psi^{\lambda_i}(z_i)$ cyclically under the trace. Here are the steps of this procedure:

(a) Move $\Psi^{\lambda_i}(z_i)$ to the left through the intertwiners $\Psi_{\mu_i}^*(w_i)$:

$$Z(Q, P, P_{\perp}, \vec{z}) = \begin{array}{c}
 \begin{array}{c}
 \leftarrow u \\
 (1,0) \leftarrow \boxed{Q^d Q_{\perp}^{d_{\perp}}} \leftarrow uP^{-2} \leftarrow \begin{array}{c} \downarrow P_{z_1}^{(1,1)} \\ \downarrow P_{z_2}^{(1,2)} \end{array} \leftarrow \begin{array}{c} \downarrow P_{z_1}^{(1,1)} \\ \downarrow P_{z_2}^{(1,0)} \end{array} \leftarrow u \\
 \downarrow \begin{array}{c} \downarrow P_{z_1}^{(1,1)} \\ \downarrow P_{z_2}^{(1,2)} \end{array} \\
 \boxed{P^d P_{\perp}^{d_{\perp}}} \\
 \downarrow \begin{array}{c} \downarrow P_{z_1}^{(1,1)} \\ \downarrow P_{z_2}^{(1,2)} \end{array}
 \end{array}
 \end{array}
 \tag{6.11}$$

Here we use the commutation relation for Ψ with Ψ^* , which involves the scalar function $\Upsilon_{q,t}$

$$\begin{array}{c} z, \lambda \\ \downarrow \\ \begin{array}{c} u \frac{z}{w} \leftarrow \leftarrow \leftarrow u \\ (1, N) \quad \quad \quad (1, N) \\ \downarrow \\ w, \mu \end{array} \\ \end{array} = \begin{array}{c} z, \lambda \\ \downarrow \\ \begin{array}{c} u \frac{z}{w} \leftarrow \leftarrow \leftarrow u \\ (1, N) \quad \quad \quad (1, N) \\ \downarrow \\ w, \mu \end{array} \\ \end{array} \Upsilon_{q,t} \left(\sqrt{\frac{q}{t}} \left| \frac{z}{w} \right. \right) \quad (6.12)$$

with

$$\Upsilon_{q,t}(\alpha|x) = \exp \left[\sum_{n \geq 1} \frac{\alpha^n}{n} \frac{(x^n - x^{-n})}{(1 - q^n)(1 - t^{-n})} \right]. \quad (6.13)$$

(b) Move $\Psi^{\lambda_i}(z_i)$ through the grading operators $Q^d Q_{\perp}^{d_{\perp}}$:

$$\begin{aligned}
 & Z(Q, P, P_{\perp}, \vec{z}) = \\
 & = \prod_{i,j=1}^N \Upsilon_{q,t} \left(\sqrt{\frac{q}{t}} \left| \frac{z_i}{Pz_j} \right. \right) \times \begin{array}{c} \begin{array}{c} \leftarrow u \\ (1, 0) \end{array} \left[Q^d Q_{\perp}^{d_{\perp}} \right] \begin{array}{c} \xrightarrow{u} \\ (1, -1) \end{array} \begin{array}{c} \xrightarrow{u} \\ (1, -2) \end{array} \begin{array}{c} \xrightarrow{u} \\ (1, -1) \end{array} \begin{array}{c} \xrightarrow{u} \\ (1, 0) \end{array} \\ \downarrow \begin{array}{c} z_1, \lambda_1 \\ z_2, \lambda_2 \end{array} \\ \left[P^d P_{\perp}^{d_{\perp}} \right] \\ \downarrow \begin{array}{c} z_1, \lambda_1 \\ z_2, \lambda_2 \end{array} \end{array} \quad (6.14)
 \end{aligned}$$

The crucial point is that the grading operators satisfy the intertwining relations with Ψ so that

$$\begin{array}{c} \begin{array}{c} -uzQ_{\perp}Q^{-N-1} \\ (1, N+1) \end{array} \left[Q^d Q_{\perp}^{d_{\perp}} \right] \begin{array}{c} -uz \\ (1, N+1) \end{array} \begin{array}{c} z, \lambda \\ \downarrow (0, 1) \\ u \\ (1, N) \end{array} \\ \end{array} = \begin{array}{c} \begin{array}{c} z, \lambda \\ \downarrow (0, 1) \\ \left[Q^d Q_{\perp}^{d_{\perp}} \right] \\ \downarrow zQ^{-1} \\ -uzQ_{\perp}Q^{-N-1} \\ (1, N+1) \end{array} \begin{array}{c} uQ_{\perp}Q^{-N} \\ (1, N) \end{array} \left[Q^d Q_{\perp}^{d_{\perp}} \right] \begin{array}{c} u \\ (1, N) \end{array} \\ \end{array} \quad (6.15)$$

where we have indicated all the slopes and spectral parameters of the Fock spaces corresponding to the legs explicitly.

(c) Move $\Psi^{\lambda_i}(z_i)$ through the trace so that they emerge on the right:

$$\begin{aligned}
 Z(Q, P, P_{\perp}, \vec{z}) = & \prod_{i,j=1}^N \Upsilon_{q,t} \left(\sqrt{\frac{q}{t}} \middle| \frac{z_i}{Pz_j} \right) \times \text{Diagram} \\
 & \text{Diagram: A horizontal line with arrows pointing left. From left to right, it has: a box labeled } Q^d Q_{\perp}^{d_{\perp}} \text{ with vertical legs } z_1, \lambda_1 \text{ and } z_2, \lambda_2 \text{ above it; a box labeled } Q^d Q_{\perp}^{d_{\perp}} \text{ with vertical legs } \frac{z_1}{Q} \text{ and } \frac{z_2}{Q} \text{ above it; a box labeled } Q^d Q_{\perp}^{d_{\perp}} \text{ with vertical legs } \frac{uQ^2}{z_1 z_2} \text{ and } \frac{u}{z_1 z_2} \text{ above it; a box labeled } P^d P_{\perp}^{d_{\perp}} \text{ with vertical legs } Pz_1 \text{ and } Pz_2 \text{ below it; and a box labeled } P^d P_{\perp}^{d_{\perp}} \text{ with vertical legs } z_1, \lambda_1 \text{ and } z_2, \lambda_2 \text{ below it. Slopes are labeled as } (1,0), (1,-1), (1,-2), (1,-1), (1,0) \text{ from left to right. Blue curved arrows connect the top legs of the first and second boxes to the top legs of the third box.}
 \end{aligned} \tag{6.16}$$

Recall that the corresponding (double) wavy lines are identified with each other. Therefore, the grading operators $Q^d Q_{\perp}^{d_{\perp}}$ sitting on the upper vertical legs are effectively multiplied with the grading operators $P^d P_{\perp}^{d_{\perp}}$ sitting on the lower ones.

After these steps one arrives at the following picture:

$$\begin{aligned}
 Z(Q, P, P_{\perp}, \vec{z}) = & \prod_{i,j=1}^N \Upsilon_{q,t} \left(\sqrt{\frac{q}{t}} \middle| \frac{z_i}{Pz_j} \right) \times \text{Diagram} \\
 & \text{Diagram: A horizontal line with arrows pointing left. From left to right, it has: a box labeled } Q^d Q_{\perp}^{d_{\perp}} \text{ with vertical legs } \frac{uQ^2}{z_1 z_2} \text{ and } \frac{u}{z_1 z_2} \text{ above it; a box labeled } (PQ)^d (P_{\perp} Q_{\perp})^{d_{\perp}} \text{ with vertical legs } Pz_1 \text{ and } Pz_2 \text{ below it; and a box labeled } (PQ)^d (P_{\perp} Q_{\perp})^{d_{\perp}} \text{ with vertical legs } \frac{z_1}{Q}, \lambda_1 \text{ and } \frac{z_2}{Q}, \lambda_2 \text{ below it. Slopes are labeled as } (1,-2), (1,-1), (1,0), (1,-1), (1,-2) \text{ from left to right.}
 \end{aligned} \tag{6.17}$$

The expression looks almost the same as the initial one (6.2). There are two key differences:²⁶

- (a) The fugacities on the vertical legs are different. They used to be (P, P_{\perp}) , whereas after the cyclic movement of the intertwiners they became $(PQ, P_{\perp} Q_{\perp})$.
- (b) The Fock space over which the trace is taken has a different *slope*, which used to be $(1, 0)$ and has become $(1, -N)$. To compare the parameters of the theory with that of the initial setup, we need to transform the slope of the Fock space back to $(1, 0)$ using the T -transformation, i.e. act with the T -element from the $SL(2, \mathbb{Z})$ automorphism group of DIM.

²⁶The horizontal spectral parameter has also changed, but this is inessential since there is only one horizontal line and the overall shift eliminates this difference.

2. T -transformation. The action of the automorphism $T \in \text{SL}(2, \mathbb{Z})$ of the DIM algebra on the vertical and horizontal representations is easy to deduce. In particular, the grading operators, as well as the central charges form doublets under $\text{SL}(2, \mathbb{Z})$. Let us consider the action of T on the elements of the network (6.17) in turn:

(a) **On the legs.** T -transformation naturally transforms the slope vector (which is the vector of central charges) of the horizontal Fock representation $\mathcal{F}_u^{(1,m)}$:

$$\begin{array}{c} \xleftarrow{u} \\ (1, m+1) \end{array} \boxed{T} \begin{array}{c} \xleftarrow{u} \\ (1, m) \end{array} \quad (6.18)$$

It acts diagonally on the vertical Fock space $\mathcal{F}_z^{(0,1)}$ in the basis of Macdonald polynomials:

$$\begin{array}{c} (0, 1) \downarrow z, \lambda \\ \boxed{T} \\ (0, 1) \downarrow z, \lambda \end{array} = (-z)^{|\lambda|} f_\lambda(q, t) \times \begin{array}{c} (0, 1) \downarrow z, \lambda \\ \downarrow \\ (0, 1) \downarrow z, \lambda \end{array} \quad (6.19)$$

where

$$f_\lambda(q, t) = (-1)^{|\lambda|} q^{\sum_{(i,j) \in \lambda} (j - \frac{1}{2})} t^{\sum_{(i,j) \in \lambda} (\frac{1}{2} - i)} \quad (6.20)$$

is the framing factor.

These actions are, of course, consistent with the explicit expression for the DIM intertwiners written down in [80].

(b) **On the grading operators.** The action of T on the grading operators is explicitly given by

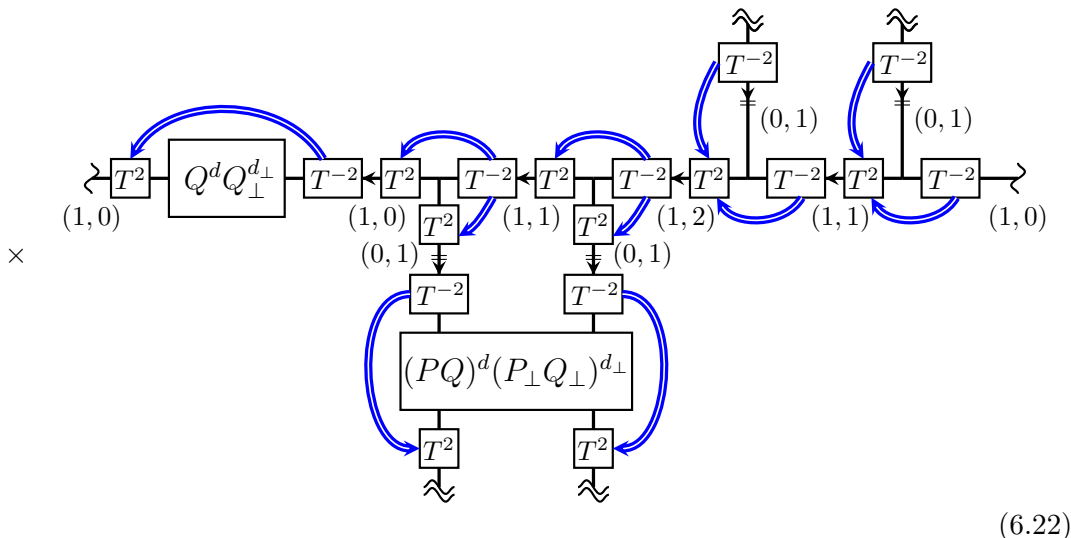
$$\begin{array}{c} uQ_\perp Q^{-m} \\ (1, m+1) \end{array} \boxed{T} \begin{array}{c} uQ_\perp Q^{-m} \\ (1, m) \end{array} \xleftarrow{u} \begin{array}{c} Q^d Q_\perp^{d_\perp} \\ (1, m) \end{array} \xleftarrow{u} \begin{array}{c} T^{-1} \\ (1, m+1) \end{array} \xleftarrow{u} \begin{array}{c} u \\ (1, m+1) \end{array} = \begin{array}{c} uQ_\perp Q^{-m} \\ (1, m+1) \end{array} \boxed{Q^d(Q_\perp Q)^{d_\perp}} \xleftarrow{u} \begin{array}{c} u \\ (1, m+1) \end{array} \quad (6.21)$$

Notice how the fugacities Q, Q_\perp transform as a doublet of $\text{SL}(2, \mathbb{Z})$.

Now we are ready to insert the identity operators $1 = T^{-N} T^N$ to all the intermediate legs of the network (6.17) and commute them with the intertwiners and grading operators

using eqs. (6.18), (6.21):

$$Z(Q, P, P_{\perp}, \vec{z}) = \prod_{i,j=1}^N \Upsilon_{q,t} \left(\sqrt{\frac{q}{t}} \middle| \frac{z_i}{Pz_j} \right)$$



(6.22)

The slopes indicated on the picture are those appearing *in between* the T^{-N} and T^N operators.

Finally, we obtain the equality between the initial gauge theory partition function $Z(Q, P, P_{\perp}, \vec{z})$ and a similar one, but with shifted parameters:

$$Z(Q, P, P_{\perp}, \vec{z}) =$$

$$= \prod_{i,j=1}^N \Upsilon_{q,t} \left(\sqrt{\frac{q}{t}} \middle| \frac{z_i}{Pz_j} \right) \times$$

$$= \prod_{i,j=1}^N \Upsilon_{q,t} \left(\sqrt{\frac{q}{t}} \middle| \frac{z_i}{Pz_j} \right) Z(Q, QP, P_{\perp} Q^N P^{2N}, \vec{z}) \quad (6.23)$$

Notice that we have omitted an inessential overall shift of z_i in the argument of the partition function. The product of $\Upsilon_{q,t}$ functions arises from the *classical* part of the gauge theory partition function. Indeed, the prefactor is independent of P_{\perp} , i.e. of the gauge theory coupling constant, thus we can safely send it to zero and still keep eq. (6.23) intact. In this limit, the gauge theory instantons do not contribute, or, in the language of intertwiners, the vertical lines become uncompactified so that $\lambda_1 = \lambda_2 = \emptyset$. What remains is the strip of intertwiners compactified only along the horizontal direction. The prefactor can

be absorbed into a simple redefinition of the partition function

$$Z_{\text{periodic}}(Q, P, P_{\perp}, \vec{z}) = \prod_{i,j}^N \Xi_{q,t,Q} \left(\sqrt{\frac{q}{t}} \left| \frac{Qz_i}{Pz_j} \right. \right) Z(Q, P, P_{\perp}, \vec{z}) \quad (6.24)$$

where

$$\Xi_{q,t,Q}(\alpha|x) = \exp \left[- \sum_{n \geq 1} \frac{\alpha^n}{n} \frac{x^n + Q^n x^{-n}}{(1-q^n)(1-t^{-n})(1-Q^n)} \right] \quad (6.25)$$

and we have the following difference equation²⁷

$$\frac{\Xi_{q,t,Q}(\alpha|Qx)}{\Xi_{q,t,Q}(\alpha|x)} = \Upsilon_{q,t}(\alpha|x). \quad (6.26)$$

The resulting partition function Z_{periodic} is invariant with respect to the following shift of the parameters:

$$Z_{\text{periodic}}(Q, QP, P_{\perp} Q^N P^{2N}, \vec{z}) = Z_{\text{periodic}}(Q, P, P_{\perp}, \vec{z}) \quad (6.27)$$

Now the shift of the gauge theory parameters can be easily extracted from the dictionary (6.10):

$$m \mapsto m + \hat{\tau}, \quad (6.28)$$

$$\tau \mapsto \tau + N(2m + \varepsilon_1 + \varepsilon_2 + \hat{\tau}), \quad (6.29)$$

$$\hat{\tau} \mapsto \hat{\tau}, \quad (6.30)$$

$$a_i \mapsto a_i. \quad (6.31)$$

In absence of the ε -deformation, this transformation law coincides with what was found in [85] for the classical integrable system. Here we provide an *exact* expression valid for arbitrary Ω -background. In particular, setting $\varepsilon_1 = \hbar$, $\varepsilon_2 = 0$ in eq. (6.28) gives the transformation law for the exact prepotential of the quantum double elliptic integrable system (as usual in the Nekrasov-Shatashvili limit [160–163]).

6.2 Modular transformations

The properties of the partition function with respect to the modular transformations of the compactification torus can also be deduced from the network matrix model. We take the explicit expression for the trace of intertwiners over the horizontal Fock space from [57]. It is written as a product of theta-functions, which are modular invariant up to a simple prefactor. This prefactor gives rise to an extra shift of the *gauge coupling* τ . For $N > 1$, we will discuss only one of the two modular transformations of the $6d$ $U(N)$ partition function, the second being the $\tau \mapsto -\frac{1}{\tau}$. This second transformation can also be easily analysed in our framework, but we leave this task for the future.

²⁷Notice that $\Xi_{q,t,Q} \left((Q)^{-\frac{1}{2}} \alpha \left| Q^{\frac{1}{2}} x \right. \right)$ is symmetric in q, t^{-1} and Q .

6.2.1 U(1) theory

As a warm-up, we consider the U(1) theory, where the expressions are simpler, though the modular properties are still nontrivial. In particular, there are no vacuum moduli in this case. We have:

$$Z(P, P_{\perp}, Q) = \exp \left[\sum_{n \geq 1} \frac{1}{n} \frac{(1 - (qt)^{\frac{n}{2}} P^{-n}) (1 - (qt)^{-\frac{n}{2}} P^{-n}) (\sqrt{\frac{q}{t}} PQ)^n + (1 - Q^n) (\sqrt{\frac{q}{t}} \frac{1}{P})^n}{(1 - q^n)(1 - t^{-n})(1 - Q^n)} \right] \\ \times \sum_{\lambda} \left(\sqrt{\frac{t}{q}} \frac{P_{\perp}}{P} \right)^{|\lambda|} \frac{\Theta_{\lambda\lambda}(\sqrt{\frac{q}{t}} P | Q)}{\Theta_{\lambda\lambda}(1 | Q)} \sim \sum_{\lambda} e^{2\pi i |\lambda| (\tau - m)} \frac{\Theta_{\lambda\lambda}(e^{2\pi i m} | e^{2\pi i \hat{\tau}})}{\Theta_{\lambda\lambda}(1 | e^{2\pi i \hat{\tau}})}, \quad (6.32)$$

where²⁸

$$\Theta_{\lambda\mu}(x | Q) = \prod_{(i,j) \in \lambda} \theta_Q \left(x q^{\lambda_i - j} t^{\mu_j^T - i + 1} \right) \prod_{(i,j) \in \mu} \theta_Q \left(x q^{j - \mu_i - 1} t^{i - \lambda_j^T} \right), \quad (6.33)$$

and $\theta_Q(x)$ is the Jacobi theta function:

$$\theta_Q(x) = \prod_{k \geq 1} \left(1 - Q^{k+1} \right) \left(1 - Q^k x \right) \left(1 - Q^k \frac{Q}{x} \right). \quad (6.34)$$

Notice that in eq. (6.32) we exclude an extra $\Xi_{q,t,Q}$ prefactor used to construct the periodic partition function Z_{periodic} . The modular transformation of the theta function is given by the standard formula:

$$\theta_{e^{-\frac{2\pi i}{\tau}}}(e^{\frac{2\pi i z}{\tau}}) = (i\tau)^{\frac{1}{2}} e^{\frac{\pi i}{\tau} (z + \frac{1-\tau}{2})^2} \theta_{e^{2\pi i \tau}}(e^{2\pi i z}). \quad (6.35)$$

Making the modular transformation

$$Q = e^{2\pi i \hat{\tau}} \mapsto \tilde{Q} = e^{-\frac{2\pi i}{\hat{\tau}}}, \quad (6.36)$$

$$q = e^{-2\pi i \varepsilon_2} \mapsto \tilde{q} = e^{-\frac{2\pi i \varepsilon_2}{\hat{\tau}}}, \quad (6.37)$$

$$t = e^{2\pi i \varepsilon_1} \mapsto \tilde{t} = e^{\frac{2\pi i \varepsilon_1}{\hat{\tau}}}, \quad (6.38)$$

$$P = e^{2\pi i m} \mapsto \tilde{P} = e^{\frac{2\pi i m}{\hat{\tau}}}, \quad (6.39)$$

we get a prefactor from each theta-function in the product in eq. (6.33). The term in the instanton expansion labelled by the diagram λ is multiplied with the exponential of the following expression:

$$\frac{\pi i}{\hat{\tau}} \sum_{(i,j) \in \lambda} \left[\left(m + \frac{1-\tau}{2} - \varepsilon_2(\lambda_i - j) + \varepsilon_1(\lambda_j^T - i + 1) \right)^2 \right. \\ \left. + \left(m + \frac{1-\tau}{2} - \varepsilon_2(-\lambda_i + j - 1) + \varepsilon_1(-\lambda_j^T + i) \right)^2 \right. \\ \left. - \left(\frac{1-\tau}{2} - \varepsilon_2(\lambda_i - j) + \varepsilon_1(\lambda_j^T - i + 1) \right)^2 \right. \\ \left. + \left(\frac{1-\tau}{2} - \varepsilon_2(-\lambda_i + j - 1) + \varepsilon_1(-\lambda_j^T + i) \right)^2 \right]. \quad (6.40)$$

²⁸We slightly change the notations as compared to [57]. There was also a typo in [57].

There happen to be many cancellations between different terms in the sum (6.40). The final answer for the prefactor looks quite simple:

$$\frac{\Theta_{\lambda\lambda}\left(\sqrt{\frac{q}{t}}\tilde{P}\middle|\tilde{Q}\right)}{\Theta_{\lambda\lambda}(1|\tilde{Q})} = e^{\frac{2\pi i}{\hat{\tau}}m(m+\varepsilon_1+\varepsilon_2)|\lambda|} e^{\frac{2\pi im}{\hat{\tau}}|\lambda|-2\pi im|\lambda|} \frac{\Theta_{\lambda\lambda}\left(\sqrt{\frac{q}{t}}P\middle|Q\right)}{\Theta_{\lambda\lambda}(1|Q)}. \quad (6.41)$$

The partition function is invariant (up to an overall scalar factor) under the modular transformation of $\hat{\tau}$, if we perform a shift of the complexified coupling of the gauge theory encoded in $P_{\perp} = e^{2\pi i\tau}$:

$$Z\left(\frac{\varepsilon_1}{\hat{\tau}}, \frac{\varepsilon_2}{\hat{\tau}}, -\frac{1}{\hat{\tau}}, \tau - \frac{m(m+\varepsilon_1+\varepsilon_2)}{\hat{\tau}}, \frac{m}{\hat{\tau}}\right) \sim Z(\varepsilon_1, \varepsilon_2, \hat{\tau}, \tau, m) \quad (6.42)$$

In the classical case, this matches the transformation law obtained from the Seiberg-Witten theory techniques and modular anomaly equations [85]. Notice that our derivation is valid for the general Ω -background, in particular, it holds for the *quantized* double elliptic integrable system.

As we have mentioned earlier, the U(1) theory is spectral self-dual, which, in this case, means that it is invariant under the exchange of τ and $\hat{\tau}$. This implies the second modular transformation for τ . Notice that for $m = 0$ the theory becomes $6d \mathcal{N} = (2, 0)$ theory compactified on T^2 without any punctures.²⁹ The partition function becomes a product of two η -functions:

$$Z(\varepsilon_1, \varepsilon_2, \hat{\tau}, \tau, 0) \sim \prod_{k \geq 1} \frac{1}{(1 - e^{2\pi i\tau k})(1 - e^{2\pi i\hat{\tau}k})}, \quad (6.43)$$

where we omit an overall prefactor independent of $\hat{\tau}$ and τ . The spectral duality and modular invariance are evident in this limiting case.

6.2.2 U(N) theory

The case of U(N) gauge theory can be understood along the same lines as the U(1) one. The partition function is equal to

$$\begin{aligned} Z(P, P_{\perp}, Q, \vec{z}) &= \prod_{i,j}^N \exp \left[\sum_{n \geq 1} \frac{1}{n} \frac{(1-(qt)^{\frac{n}{2}}P^{-n})(1-(qt)^{-\frac{n}{2}}P^{-n})(\sqrt{\frac{q}{t}}PQ)^n + (1-Q^n)\left(\sqrt{\frac{q}{t}}\frac{z_i}{Pz_j}\right)^n}{(1-q^n)(1-t^{-n})(1-Q^n)} \right] \\ &\times \sum_{\vec{\lambda}} \left(\left(\frac{t}{q}\right)^{\frac{N}{2}} \frac{P_{\perp}}{P^N} \right)^{|\lambda|} \prod_{i,j=1}^N \frac{\Theta_{\lambda^{(i)}\lambda^{(j)}}\left(\sqrt{\frac{q}{t}}P\frac{z_i}{z_j}\middle|Q\right)}{\Theta_{\lambda^{(i)}\lambda^{(j)}}\left(\frac{z_i}{z_j}\middle|Q\right)} \\ &\sim \sum_{\vec{\lambda}} e^{2\pi i|\lambda|(\tau-Nm)} \prod_{i,j}^N \frac{\Theta_{\lambda^{(i)}\lambda^{(j)}}\left(e^{2\pi i(m+a_i-a_j)}\middle|e^{2\pi i\hat{\tau}}\right)}{\Theta_{\lambda^{(i)}\lambda^{(j)}}\left(e^{2\pi i(a_i-a_j)}\middle|e^{2\pi i\hat{\tau}}\right)}. \end{aligned} \quad (6.44)$$

Now we have a nontrivial dependence on $(N-1)$ vacuum moduli a_a , which we assume add up to zero, $\sum_{a=1}^N a_a = 0$. The modular transformation of a_a is the same as that of the mass m :

$$z_a = e^{2\pi i a_a} \mapsto \tilde{z}_a = e^{2\pi i \tilde{a}_a} = e^{2\pi i \frac{a_a}{\hat{\tau}}}. \quad (6.45)$$

²⁹In the Ω -background, the theory is invariant with respect to the reflection $m \rightarrow -\varepsilon_1 - \varepsilon_2 - m$, thus $m = -\varepsilon_1 - \varepsilon_2$ also leads to a symmetry enhancement.

After the modular transformation, the theta-functions in the instanton series give a prefactor, which is the exponential of

$$\begin{aligned}
 & \frac{\pi i}{\hat{\tau}} \sum_{a,b} \left[\sum_{(i,j) \in \lambda^{(a)}} \left(m + a_a - a_b + \frac{1-\tau}{2} - \varepsilon_2(\lambda_i^{(a)} - j) + \varepsilon_1(\lambda_j^{(b)T} - i + 1) \right)^2 \right. \\
 & \quad + \sum_{(i,j) \in \lambda^{(b)}} \left(m + a_a - a_b + \frac{1-\tau}{2} - \varepsilon_2(-\lambda_i^{(b)} + j - 1) + \varepsilon_1(-\lambda_j^{(a)T} + i) \right)^2 \\
 & \quad - \sum_{(i,j) \in \lambda^{(a)}} \left(a_a - a_b + \frac{1-\tau}{2} - \varepsilon_2(\lambda_i^{(a)} - j) + \varepsilon_1(\lambda_j^{(b)T} - i + 1) \right)^2 \\
 & \quad \left. - \sum_{(i,j) \in \lambda^{(b)}} \left(a_a - a_b + \frac{1-\tau}{2} - \varepsilon_2(-\lambda_i^{(b)} + j - 1) + \varepsilon_1(-\lambda_j^{(a)T} + i) \right)^2 \right].
 \end{aligned} \tag{6.46}$$

Again there are many cancellations, in particular, the dependence on a_a cancels completely. Eventually, we have a simple transformation law:

$$\prod_{i,j=1}^N \frac{\Theta_{\lambda^{(i)}\lambda^{(j)}}\left(\sqrt{\frac{q}{t}}\tilde{P}\frac{\tilde{z}_i}{\tilde{z}_j}\middle|\tilde{Q}\right)}{\Theta_{\lambda^{(i)}\lambda^{(j)}}\left(\frac{\tilde{z}_i}{\tilde{z}_j}\middle|\tilde{Q}\right)} = e^{\frac{2\pi i N}{\hat{\tau}}m(m+\varepsilon_1+\varepsilon_2)|\lambda|} e^{\frac{2\pi i m N}{\hat{\tau}}|\lambda|-2\pi i m N|\lambda|} \prod_{i,j=1}^N \frac{\Theta_{\lambda^{(i)}\lambda^{(j)}}\left(\sqrt{\frac{q}{t}}P\frac{z_i}{z_j}\middle|Q\right)}{\Theta_{\lambda^{(i)}\lambda^{(j)}}\left(\frac{z_i}{z_j}\middle|Q\right)}. \tag{6.47}$$

The partition function is therefore invariant under the following modular transformation:

$$Z\left(\frac{\varepsilon_1}{\hat{\tau}}, \frac{\varepsilon_2}{\hat{\tau}}, -\frac{1}{\hat{\tau}}, \tau - N\frac{m(m+\varepsilon_1+\varepsilon_2)}{\hat{\tau}}, \frac{m}{\hat{\tau}}, \frac{\vec{a}}{\hat{\tau}}\right) \sim Z(\varepsilon_1, \varepsilon_2, \hat{\tau}, \tau, m, \vec{a}) \tag{6.48}$$

The transformation is consistent with the classical case discussed in [85].

7 Discussion

We have presented two generalizations and one application of the (q, t) -KZ equation for the quantum toroidal algebra $U_{q,t}(\widehat{\mathfrak{gl}}_1)$ derived in [57]. The first generalization is the case of an *arbitrary* horizontal level in $U_{q,t}(\widehat{\mathfrak{gl}}_1)$, where we postulate the KZ equation using the analogy with the quantum affine case. The second generalization is the KZ equation for the “non-Abelian” quantum toroidal algebra $U_{q,\mathfrak{d}}(\widehat{\mathfrak{gl}}_n)$, but with horizontal level one. In this setup, we find the expressions for the intertwiners of the Fock representations and show that (at least in the unrefined case) they factorize into products of the intertwiners for $U_{q^n, q^n}(\widehat{\mathfrak{gl}}_1)$. Thus, the networks of the “non-Abelian” intertwiners can be redrawn as more complicated networks of the Abelian ones. We call this procedure Abelianization.

In both of these cases, we still find only algebraic solutions. For $U_{q,\mathfrak{d}}(\widehat{\mathfrak{gl}}_n)$ these solutions are related to the Nekrasov functions on the ALE spaces $\mathbb{C}^2/\mathbb{Z}_n$.

We also consider an application of network matrix models and KZ equations to $6d$ gauge theories. We identify the compactified network of the intertwiners corresponding to the $6d$ $U(N)$ gauge theory with massive adjoint hypermultiplet compactified on T^2 and

study the properties of the partition function under shifts of the adjoint mass and modular transformations of the compactification torus. We find all ε -corrections to the known classical answer. It would be interesting to understand the origin and interplay between two $SL(2, \mathbb{Z})$ modular transformations and spectral duality of the $6d$ gauge theory.

The most interesting and nontrivial generalization of (q, t) -KZ equations, when *both* central charges are *arbitrary* still remains to be understood. In this case, new *integral* solutions should arise, which generalize the Nekrasov functions in a nontrivial way. We plan to study these intriguing cases elsewhere.

Acknowledgments

We very much appreciate correspondence and discussions with M. Jimbo, S. Minabe, and S. Yanagida.

Our work is supported in part by Grants-in-Aid for Scientific Research (# 17K05275) (H.A.), (# 15H05738) (H.K.) and JSPS Bilateral Joint Projects (JSPS-RFBR collaboration) “Topological Field Theories and String Theory: from Topological Recursion to Quantum Toroidal Algebra” from MEXT, Japan. It is also partly supported by the grant of the Foundation for the Advancement of Theoretical Physics “BASIS” (A.Mor.), by RFBR grants 16-01-00291 (A.Mir.) and 16-02-01021 (A.Mor. and Y.Z.), by joint grants 17-51-50051-YaF, 15-51-52031-NSC-a, 16-51-53034-GFEN, 16-51-45029-IND-a (A.M.’s and Y.Z.). The work of Y.Z. was supported in part by INFN and by the ERC Starting Grant 637844-HBQFTNCER.

A Combinatorics of the normalization factor

We have normalized the components of the intertwiner $\Phi_\lambda(u)$ by the following factor:

$$C_\lambda(q_1, q_3) = \prod_{\substack{\square \in \lambda \\ h_\lambda(\square) \equiv 0}} (1 - q_1^{a_\lambda(\square)} q_3^{-\ell_\lambda(\square)-1}). \tag{A.1}$$

Note that in the product there is a restriction on the length of the hook. Our normalization of the component of the dual intertwiner $\Phi_\lambda^*(u)$ is slightly different and given by

$$C'_\lambda(q_1, q_3) = \prod_{\substack{\square \in \lambda \\ h_\lambda(\square) \equiv 0}} (1 - q_1^{a_\lambda(\square)+1} q_3^{-\ell_\lambda(\square)}). \tag{A.2}$$

In this subsection, we will prove technical lemmas on these normalization factors.

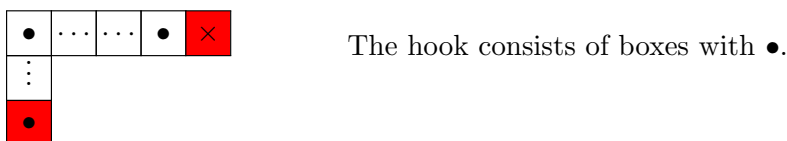
Lemma 1. When we add a box with color ℓ in the k -th row, the change of the normalization factors C_λ and C'_λ is given by

$$\frac{C_{\lambda+1_k}}{C_\lambda} = \frac{\prod_{j=1}^{k-1} \left(1 - q_2 \frac{x_j}{x_k}\right)^{\bar{\delta}_{j-\lambda_j, \ell+1}} \prod_{j=k+1}^{\ell(\lambda)+1} \left(1 - \frac{x_k}{x_j}\right)^{\bar{\delta}_{j-\lambda_j, \ell+1}}}{\prod_{j=1}^{k-1} \left(1 - q_1^{-1} \frac{x_j}{x_k}\right)^{\bar{\delta}_{j-\lambda_j, \ell}} \prod_{j=k+1}^{\ell(\lambda)} \left(1 - q_3^{-1} \frac{x_k}{x_j}\right)^{\bar{\delta}_{j-\lambda_j, \ell}}}, \tag{A.3}$$

and

$$\frac{C'_{\lambda+1_k}}{C'_\lambda} = \frac{\prod_{j=1}^{k-1} \left(1 - \frac{x_j}{x_k}\right)^{\bar{\delta}_{j-\lambda_j, \ell+1}} \prod_{j=k+1}^{\ell(\lambda)+1} \left(1 - q_2^{-1} \frac{x_k}{x_j}\right)^{\bar{\delta}_{j-\lambda_j, \ell+1}}}{\prod_{j=1}^{k-1} \left(1 - q_3 \frac{x_j}{x_k}\right)^{\bar{\delta}_{j-\lambda_j, \ell}} \prod_{j=k+1}^{\ell(\lambda)} \left(1 - q_1 \frac{x_k}{x_j}\right)^{\bar{\delta}_{j-\lambda_j, \ell}}}. \quad (\text{A.4})$$

Since we have to deal with the coloring and the length of the hooks in λ , let us introduce convenient notations for this purpose. We define the head (x_h, y_h) and the tail (x_t, y_t) of a hook by the condition $(x_h, y_h - 1), (x_t, y_t) \in \lambda$ and $(x_h, y_h), (x_t + 1, y_t) \notin \lambda$.



Note that the tail belongs to the hook, but the head does not. The corner of the hook is (x_h, y_t) . The color of the boxes is increasing along a hook from the head to the tail. If a hook satisfies $h_\lambda(x_h, y_t) \equiv 0$, the head and the tail have the same color. In the above hook diagram, the head is the red box with \times and the tail is the red box with \bullet . In terms of these notations, the normalization factor is

$$C_\lambda(q_1, q_3) = \prod_{\substack{\square \in \lambda \\ h_\lambda(\square) \equiv 0}} \left(1 - q_1^{y_h - y_t - 1} q_3^{x_h - x_t - 1}\right). \quad (\text{A.5})$$

Thus, we can evaluate each factor of $C_\lambda(q_1, q_3)$ by identifying the heads and the tails of the hooks.

Now when we add a box $(k, \lambda_k + 1)$ with color ℓ in the k -th row, a newly appearing hook in $\lambda + 1_k$ has the head $(k, \lambda_k + 2)$ or the tail $(k, \lambda_k + 1)$. Let us first consider the case when $(k, \lambda_k + 1)$ is the tail and the hook length is a multiple of n . Then the head $(j, \lambda_j + 1)$ for $j \leq k - 1$ has the color ℓ . This hook gives a new factor to $C_{\lambda+1_k}$, if the up-shifted hook is *not* a hook in the original diagram λ . This takes place if $\lambda_{j-1} > \lambda_j$, that is, when we can add a box with color ℓ in the j -th row. Since the head and the tail of such a new hook are $(j, \lambda_j + 1)$ and $(k, \lambda_k + 1)$, the new factor is

$$\left(1 - q_1^{\lambda_j - \lambda_k - 1} q_3^{j - k - 1}\right). \quad (\text{A.6})$$

Next, when $(k, \lambda_k + 2)$ is the head and the hook length is a multiple of n , we may have the tail (j, μ_j) for $k \leq j$ and $\lambda_{j+1} < \mu_j \leq \lambda_k$. This time a new factor in $C_{\lambda+1_k}$ appears, if the left-shifted hook is *not* a hook in the original diagram λ . This is the case only when $\mu_j = \lambda_{j+1} + 1$, the minimum of allowed μ_j . Since the tail $(j, \lambda_{j+1} + 1)$ has the same color $\ell - 1$ as $(k, \lambda_k + 2)$, we can add a box $(j + 1, \lambda_{j+1} + 1)$ with color ℓ in the $(j + 1)$ -th row. The new factor is

$$\left(1 - q_1^{\lambda_k - \lambda_j} q_3^{k - j}\right), \quad (\text{A.7})$$

where we have made a shift $j \rightarrow j - 1$ so that $k + 1 \leq j \leq \ell(\lambda) + 1$. On the other hand, thinking in the opposite way, we see that the hooks that cease to contribute $C_\lambda(q_1, q_3)$

have either the head $(j, \lambda_j + 1)$ and the tail $(k - 1, \lambda_k + 1)$ for $1 \leq j \leq k - 1$, or the head $(k, \lambda_k + 1)$ and the tail (j, λ_j) for $k + 1 \leq j \leq \ell(\lambda)$. The selection rule is that we can remove a box with the color ℓ from the j -th row. The corresponding factors are

$$\left(1 - q_1^{\lambda_j - \lambda_k - 1} q_3^{j - k}\right), \quad (\text{A.8})$$

for the former case and

$$\left(1 - q_1^{\lambda_k - \lambda_j} q_3^{k - j - 1}\right), \quad (\text{A.9})$$

for the latter one. By taking above four factors with the color selection rule, we obtain (A.3). Considering the difference between $C_\lambda(q_1, q_3)$ and $C'_\lambda(q_1, q_3)$, we see that (A.4) follows from (A.3) by a shift $q_1^y q_3^x \rightarrow q_2^{-1} q_1^y q_3^x$.

In the vertical representation, we take a basis $\{|\lambda\rangle\}$ of the Fock space, which simultaneously diagonalizes $K_\ell^\pm(z)$. Since the eigenvalues are non-degenerate, the freedom is only the change of the norm of each eigenvector $|\lambda\rangle$. The normalization factors $C_\lambda(q_1, q_3)$ and $C'_\lambda(q_1, q_3)$ are related to the relative normalization of $|\lambda\rangle$. In fact, if we define³⁰

$$(\lambda|\lambda)_{q_1, q_3} := \frac{C'_\lambda(q_1, q_3)}{C_\lambda(q_1, q_3)}, \quad (\text{A.10})$$

the recursion relation for $(\lambda|\lambda)_{q_1, q_3}$ is given by the matrix elements of the vertical representation as follows:

Lemma 2.

$$(\lambda|F_\ell(z)|\lambda + 1_k) = \mathfrak{q}^{\#A_\ell^{(0)} - \#R_\ell^{(0)}} \frac{(\lambda + 1_k|\lambda + 1_k)_{q_1, q_3}}{(\lambda|\lambda)_{q_1, q_3}} (\lambda + 1_k|E_\ell(z)|\lambda). \quad (\text{A.11})$$

By using Lemma 1, the formula is easily checked by direct computation. This is a generalization of Lemma 6.1 in [80].

B Zero mode factor of the intertwiner

In this appendix, we prove the lemmas concerning the zero mode part of the intertwiner. First of all, we recall the zero mode algebra

$$k_i^\pm e_j(z) = \mathfrak{q}^{\pm a_{i,j}} e_j(z) k_i^\pm, \quad k_i^\pm f_j(z) = \mathfrak{q}^{\mp a_{i,j}} f_j(z) k_i^\pm, \quad (\text{B.1})$$

$$e_i(z) e_j(w) = (w/z)^{-a_{i,j}} (-\mathfrak{d})^{-m_{i,j}} e_j(w) e_i(z), \quad f_i(z) f_j(w) = (w/z)^{-a_{i,j}} (-\mathfrak{d})^{-m_{i,j}} f_j(w) f_i(z), \quad (\text{B.2})$$

$$e_i(z) f_j(w) = (w/z)^{a_{i,j}} (-\mathfrak{d})^{m_{i,j}} f_j(w) e_i(z), \quad f_i(z) e_j(w) = (w/z)^{a_{i,j}} (-\mathfrak{d})^{m_{i,j}} e_j(w) f_i(z), \quad (\text{B.3})$$

$$\mathfrak{q}^{\pm 1} e_i(\mathfrak{q}^{\pm 1} z) f_i(z) = \mathfrak{q}^{\mp 1} f_i(\mathfrak{q}^{\mp 1} z) e_i(z) = k_i^\pm, \quad (\text{B.4})$$

where $i, j \in \mathbb{Z}/n\mathbb{Z}$, $a_{i,j} = 2\bar{\delta}_{i,j} - \bar{\delta}_{i-1,j} - \bar{\delta}_{i+1,j}$ and $m_{i,j} = \bar{\delta}_{i-1,j} - \bar{\delta}_{i+1,j}$. These are represented by

$$k_i^\pm \rightarrow \mathfrak{q}^{\pm \bar{\alpha}_i}, \quad e_i(z) \rightarrow e^{\bar{\alpha}_i} z^{H_{i,0}+1}, \quad f_i(z) \rightarrow e^{-\bar{\alpha}_i} z^{-H_{i,0}+1} \quad (\text{B.5})$$

and relations (3.48)–(3.50). Then the first lemma is stated as below

³⁰This is motivated by the formula for the norms of the Macdonald functions.

Lemma 3.

$$z_\lambda^{[k]}(v) = \prod_{1 \leq i \leq \ell(\lambda)}^{\leftarrow} \left(\prod_{1 \leq j \leq \lambda_i}^{\leftarrow} e_{i,j}^{[k]}(v) \right), \quad e_{i,j}^{[k]}(v) = e_{i-j+k}(q_1^{j-1} q_3^{i-1} v), \quad (\text{B.6})$$

$$z_\lambda^{[k]*}(v) = \prod_{1 \leq i \leq \ell(\lambda)}^{\leftarrow} \left(\prod_{1 \leq j \leq \lambda_i}^{\leftarrow} f_{i,j}^{[k]}(v) \right), \quad f_{i,j}^{[k]}(v) = f_{i-j+k}(q_1^{j-1} q_3^{i-1} v) \quad (\text{B.7})$$

$$(\text{B.8})$$

satisfy

$$e_\ell(u) z_\lambda^{[k]}(v) = \pi_{\lambda,\ell}^{[k]}(v/u) z_\lambda^{[k]}(v) e_\ell(u), \quad f_\ell(u) z_\lambda^{[k]*}(v) = \pi_{\lambda,\ell}^{[k]}(v/u) z_\lambda^{[k]*}(v) f_\ell(u), \quad (\text{B.9})$$

$$e_\ell(u) z_\lambda^{[k]*}(v) = \pi_{\lambda,\ell}^{[k]}(v/u)^{-1} z_\lambda^{[k]*}(v) e_\ell(u), \quad f_\ell(u) z_\lambda^{[k]}(v) = \pi_{\lambda,\ell}^{[k]}(v/u)^{-1} z_\lambda^{[k]}(v) f_\ell(u), \quad (\text{B.10})$$

$$k_\ell^\pm z_\lambda^{[k]}(v) = \left(\tilde{\pi}_{\lambda,\ell}^{[k]} \right)^{\pm 1} z_\lambda^{[k]}(v) k_\ell^\pm, \quad k_\ell^\pm z_\lambda^{[k]*}(v) = \left(\tilde{\pi}_{\lambda,\ell}^{[k]} \right)^{\mp 1} z_\lambda^{[k]*}(v) k_\ell^\pm, \quad (\text{B.11})$$

where

$$\pi_{\lambda,\ell}^{[k]}(z) = (-qz)^{-\bar{\delta}_{\ell,k}} \prod_{\substack{s=1, \\ s-\lambda_s+k \equiv \ell}}^{\ell(\lambda)} (-q^{-1} x_s z)^{-1} \prod_{\substack{s=1, \\ s-\lambda_s+k \equiv \ell+1}}^{\ell(\lambda)+1} (-q^{-1} q_3^{-1} x_s z), \quad x_s = q_1^{\lambda_s-1} q_3^{s-1} \quad (\text{B.12})$$

$$\tilde{\pi}_{\lambda,\ell}^{[k]} = q^{\bar{\delta}_{\ell,k}} \prod_{\substack{s=1, \\ s-\lambda_s+k \equiv \ell}}^{\ell(\lambda)} q \prod_{\substack{s=1, \\ s-\lambda_s+k \equiv \ell+1}}^{\ell(\lambda)+1} q^{-1}, \quad (\text{B.13})$$

and $[k]$ denotes the vacuum color $k \in \mathbb{Z}/n\mathbb{Z}$.³¹

Now we shall check the commutation relation between $e_\ell(u)$ and $z_\lambda^{[k]}(v)$ using the same idea as for the oscillator parts. Thanks to the triplet cancellation in each row

$$e_\ell(u) e_{i,j+1}(v) e_{i,j}(v) e_{i,j-1}(v) = e_{i,j+1}(v) e_{i,j}(v) e_{i,j-1}(v) e_\ell(u), \quad \ell \equiv i - j, \quad (\text{B.14})$$

we only have to consider the left- and right-most boxes for each row. The factor which comes from the left-most box $(s, 1)$ for $1 \leq s \leq \ell(\lambda)$ is

$$\begin{cases} -q q_3^s v/u & s+k \equiv \ell, \\ (-q q_3^{s-1} v/u)^{-1} & s+k \equiv \ell+1. \end{cases} \quad (\text{B.15})$$

The non-trivial factors surviving after we take the product over the rows are $(-qv/u)^{-1}$ when $\ell \equiv k$ and $-q^{-1} q_3^{-1} x_{\ell(\lambda)+1} v/u$ when $\ell \equiv \ell(\lambda)$. On the other hand, the factor which comes from the right-most box (s, λ_s) for $1 \leq s \leq \ell(\lambda)$ is

$$\begin{cases} (-q^{-1} x_s v/u)^{-1} & s-\lambda_s+k \equiv \ell, \\ -q^{-1} q_3^{-1} x_s v/u & s-\lambda_s+k \equiv \ell+1. \end{cases} \quad (\text{B.16})$$

³¹We often omit the symbol $[k]$ when $k = 0$.

Hence, gathering these factors, we get $\pi_{\lambda,\ell}^{[k]}(v/u)$. The computation of other commutation relations can be performed in the same way, hence, we omit them here.

Consequently, we obtain the following results used in section 4.3. For each j we divide a partition $\lambda = (\lambda_1, \dots, \lambda_{\ell(\lambda)})$ into two parts $\lambda^{\{j+\}} = (\lambda_1, \dots, \lambda_j)$, $\lambda^{\{j-\}} = (\lambda_{j+1}, \dots, \lambda_{\ell(\lambda)})$ so that

$$z_{\lambda}^{(j+)}(v) := \prod_{1 \leq i \leq j}^{\leftarrow} \left(\prod_{1 \leq k \leq \lambda_i}^{\leftarrow} e_{i,k}^{[0]}(v) \right) = z_{\lambda^{\{j+\}}}^{[0]}(v), \quad (\text{B.17})$$

$$z_{\lambda}^{(j-)}(v) := \prod_{j+1 \leq i \leq \ell(\lambda)}^{\leftarrow} \left(\prod_{1 \leq k \leq \lambda_i}^{\leftarrow} e_{i,k}^{[0]}(v) \right) = z_{\lambda^{\{j-\}}}^{[j]}(q_3^j v). \quad (\text{B.18})$$

Lemma 4. Under the condition $j - \lambda_j - 1 \equiv \ell$, we have

$$e_{j,\lambda_j+1}(v) z_{\lambda}^{(j-)}(v) = \pi_{\lambda^{\{j-\}},\ell}^{[j]}(q_1^{-1} q_3^j x_j^{-1}) z_{\lambda}^{(j-)}(v) e_{j,\lambda_j+1}(v), \quad (\text{B.19})$$

$$z_{\lambda}^{(j+)}(v) e_{j,\lambda_j+1}(v) = \left(\pi_{\lambda^{\{j+\}},\ell}^{[0]}(q_1^{-1} x_j^{-1}) \right)^{-1} e_{j,\lambda_j+1}(v) z_{\lambda}^{(j+)}(v), \quad (\text{B.20})$$

and under the condition $j - \lambda_j \equiv \ell$, we have

$$f_{j,\lambda_j}(\mathfrak{q}^{-1} v) z_{\lambda}^{(j-)}(v) = \left(\pi_{\lambda^{\{j-\}},\ell}^{[j]}(\mathfrak{q} q_3^j x_j^{-1}) \right)^{-1} z_{\lambda}^{(j-)}(v) f_{j,\lambda_j}(\mathfrak{q}^{-1} v), \quad (\text{B.21})$$

$$z_{\lambda}^{(j+)}(v) f_{j,\lambda_j}(\mathfrak{q}^{-1} v) = \pi_{\lambda^{\{j+\}},\ell}^{[0]}(\mathfrak{q} x_j^{-1}) f_{j,\lambda_j}(\mathfrak{q}^{-1} v) z_{\lambda}^{(j+)}(v), \quad (\text{B.22})$$

$$k_{\ell}^+ z_{\lambda}^{(j+)}(v) = \tilde{\pi}_{\lambda^{\{j+\}},\ell}^{[0]} z_{\lambda}^{(j+)}(v) k_{\ell}^+, \quad (\text{B.23})$$

$$z_{\lambda}^{(j-)}(v) k_{\ell}^+ = \left(\tilde{\pi}_{\lambda^{\{j-\}},\ell}^{[j]} \right)^{-1} k_{\ell}^+ z_{\lambda}^{(j-)}(v). \quad (\text{B.24})$$

We can also check the same result, if we replace $e \leftrightarrow f$, $z \leftrightarrow z^*$, $k^+ \leftrightarrow k^-$.

We can write down the factors explicitly, for example,

$$\pi_{\lambda^{\{j-\}},\ell}^{[j]}(q_1^{-1} q_3^j x_j^{-1}) = \left(-\mathfrak{q} q_1^{\lambda_j+1} \right)^{\bar{\delta}_{\ell,j}} \prod_{\substack{s=j+1, \\ s-\lambda_s \equiv \ell}}^{\ell(\lambda)} \left(-\mathfrak{q} q_3 \frac{x_s}{x_j} \right)^{-1} \prod_{\substack{s=j+1, \\ s-\lambda_s \equiv \ell+1}}^{\ell(\lambda)+1} \left(-\mathfrak{q} \frac{x_s}{x_j} \right), \quad (\text{B.25})$$

$$\pi_{\lambda^{\{j+\}},\ell}^{[0]}(q_1^{-1} x_j^{-1}) = (-\mathfrak{q}) \left(-\frac{\mathfrak{q}}{q_1 x_j} \right)^{-\bar{\delta}_{\ell,0}} \left(-\mathfrak{q} q_1^{\lambda_j+1} \right)^{-\bar{\delta}_{\ell,j}} \prod_{\substack{s=1, \\ s-\lambda_s \equiv \ell}}^{j-1} \left(-\mathfrak{q} q_3 \frac{x_s}{x_j} \right)^{-1} \prod_{\substack{s=1, \\ s-\lambda_s \equiv \ell+1}}^{j-1} \left(-\mathfrak{q} \frac{x_s}{x_j} \right). \quad (\text{B.26})$$

C Recursion relation for Nekrasov function

In this appendix, we give a proof of

$$G_{\lambda\mu}(z) = N_{\lambda\mu}(z; q_1, q_3) \quad (\text{C.1})$$

for the Nekrasov function (bifundamental contribution) on $ALE_n \times S^1$,

$$N_{\lambda\mu}(z; q_1, q_3) = \prod_{\substack{s \in \lambda \\ h_{\mu,\lambda}(s) \equiv 0}} (1 - z q_1^{a_{\lambda}(s)} q_3^{-\ell_{\mu}(s)-1}) \prod_{\substack{t \in \mu \\ h_{\lambda,\mu}(t) \equiv 0}} (1 - z q_1^{-a_{\mu}(t)-1} q_3^{\ell_{\lambda}(t)}) \quad (\text{C.2})$$

by obtaining a recursion relation for $N_{\lambda\mu}(z; q_1, q_3)$.

Lemma 5. The Nekrasov factor $N_{\lambda\mu}(z; q_1, q_3)$ satisfies the following recursion relation

$$\begin{aligned}
 & N_{\lambda\mu+1_j}(z)/N_{\lambda\mu}(z) \\
 &= \prod_{\substack{i=1, \\ i-\lambda_i \equiv \ell}}^{\ell(\lambda)} (1 - zq_1^{\lambda_i - \mu_j - 1} q_3^{i-j})^{-1} \prod_{\substack{i=1, \\ i-\lambda_i \equiv \ell+1}}^{\ell(\lambda)+1} (1 - zq_1^{\lambda_i - \mu_j - 1} q_3^{i-j-1}), \quad (\text{C.3})
 \end{aligned}$$

where $\ell = j - \mu_j - 1$ is the color of the added box $(j, \mu_j + 1)$.

To obtain the recursion relation, we can proceed in the way similar to the proof of Lemmas 1 and 2 in appendix A. However, since a pair of the Young diagrams is involved, the argument necessarily becomes more sophisticated. As the Nekrasov factor (5.33) consists of two parts, let us consider each part separately.

1. $\prod_{s \in \lambda}$ -part.

In this case, the condition $h_{\mu, \lambda}(s) = a_\lambda(s) + \ell_\mu(s) + 1 \equiv 0$ is imposed. Only the leg length $\ell_\mu(s)$ may change, when we add the box $(j, \mu_j + 1)$ to μ . Hence, suppose $s = (i, \mu_j + 1) \in \lambda$ for $1 \leq i \leq \ell(\lambda)$ satisfying $\mu_j + 1 \leq \lambda_i$. The corresponding relative hook is the left one in (C.4),

$$\begin{array}{|c|c|c|} \hline s & \cdots & x \\ \hline \vdots & & \\ \hline y & & \end{array} \left\{ \begin{array}{l} x = (i, \lambda_i) \\ y = (j, \mu_j + 1) \end{array} \right. , \quad \begin{array}{|c|c|c|} \hline s & \cdots & x \\ \hline \vdots & & \\ \hline y & & \end{array} \left\{ \begin{array}{l} x = (i, \lambda_i) \\ y = (j-1, \mu_j + 1) \end{array} \right. . \quad (\text{C.4})$$

Then the new factor $(1 - zq_1^{a_\lambda(s)} q_3^{-\ell_\mu(s)-1}) = (1 - zq_1^{\lambda_i - \mu_j - 1} q_3^{i-j-1})$ appears in $N_{\lambda\mu+1_j}$ if $h_{\mu+1_j, \lambda}(s) = a_\lambda(s) + \ell_\mu(s) + 1 \equiv 0$, which is equivalent to $i - \lambda_i \equiv \ell + 1$. Conversely, for the right hook in (C.4), the old factor $(1 - zq_1^{a_\lambda(s)} q_3^{-\ell_\mu(s)-1}) = (1 - zq_1^{\lambda_i - \mu_j - 1} q_3^{i-j})$ ceases to contribute $N_{\lambda\mu}$ if $h_{\mu, \lambda}(s) \equiv 0$, which is equivalent to $i - \lambda_i \equiv \ell$.

2. $\prod_{t \in \mu}$ -part.

This time the constraint is $h_{\lambda, \mu}(t) = a_\mu(t) + \ell_\lambda(t) + 1 \equiv 0$, where only the arm length $a_\mu(t)$ may change, and there is the new box $(j, \mu_j + 1) \in \mu$. In any case, it is enough to consider $t = (j, \lambda_{i+1} + 1) \in \mu + 1_j$ for $0 \leq i \leq \ell(\lambda)$ satisfying $\lambda_{i+1} \leq \mu_j$ and $\lambda_i \neq \lambda_{i+1}$,³² see the left hook in (C.5),

$$\begin{array}{|c|c|c|} \hline t & \cdots & x \\ \hline \vdots & & \\ \hline y & & \end{array} \left\{ \begin{array}{l} x = (j, \mu_j + 1) \\ y = (i, \lambda_{i+1} + 1) \end{array} \right. , \quad \begin{array}{|c|c|c|} \hline t & \cdots & x \\ \hline \vdots & & \\ \hline y & & \end{array} \left\{ \begin{array}{l} x = (j, \mu_j) \\ y = (i, \lambda_i) \end{array} \right. . \quad (\text{C.5})$$

Then the new factor $(1 - zq_1^{-a_\mu(t)-1} q_3^{\ell_\lambda(t)}) = (1 - zq_1^{\lambda_{i+1} - \mu_j - 1} q_3^{i-j})$ appears in $N_{\lambda\mu+1_j}$ if $h_{\lambda, \mu+1_j}(t) \equiv 0$, which is equivalent to $i + 1 - \lambda_{i+1} \equiv \ell + 1$. Conversely, for the right hook in (C.5), set $t = (j, \lambda_i) \in \mu$ for $1 \leq i \leq \ell(\lambda)$ satisfying $\lambda_i \leq \mu_j$ and

³²We set $\lambda_0 = 0$.

$\lambda_i \neq \lambda_{i+1}$, then the old factor $(1 - zq_1^{-a_\mu(t)-1}q_3^{\ell_\lambda(t)}) = (1 - zq_1^{\lambda_i - \mu_j - 1}q_3^{i-j})$ disappears if $h_{\lambda,\mu}(t) \equiv 0$, which is equivalent to $i - \lambda_i \equiv \ell$. Note we can take these factors even when $\lambda_i = \lambda_{i+1}$ due to the cancellation.

Thus we see that the changes for $\lambda_i \leq \mu_j$ ($\lambda_{i+1} \leq \mu_j$) come from the $\prod_{t \in \mu}$ -part and those for $\mu_j + 1 \leq \lambda_i$ come from the $\prod_{s \in \lambda}$ -part. Combining these two contributions, we arrive at the recursion relation (C.3).

D Symmetry of Nekrasov function

In this appendix, we prove the following relation for the Nekrasov function:

Lemma 6.

$$N_{\lambda\mu}(\mathfrak{q}^{-1}u/v)z_\mu^*(v)z_\lambda(u) = \left(\frac{u}{v}\right)^{|\lambda|_0+|\mu|_0} \frac{f_\lambda(q_1, q_3)}{f_\mu(q_1, q_3)} N_{\mu\lambda}(\mathfrak{q}^{-1}v/u)z_\lambda(u)z_\mu^*(v), \quad (\text{D.1})$$

where $N_{\lambda\mu}(z)$ is the Nekrasov function on $ALE_n \times S^1$ (5.33), f_λ is the generalized framing factor (4.23) and

$$z_\lambda(u) = \prod_{1 \leq i \leq \ell(\lambda)}^{\leftarrow} \left(\prod_{1 \leq j \leq \lambda_i}^{\leftarrow} e_{i,j}(u) \right), \quad e_{i,j}(u) = e^{\bar{\alpha}_{i-j}} (q_1^{j-1} q_3^{i-1} u)^{H_{i-j,0}+1}. \quad (\text{D.2})$$

$$z_\mu^*(v) = \prod_{1 \leq i \leq \ell(\mu)}^{\leftarrow} \left(\prod_{1 \leq j \leq \mu_i}^{\leftarrow} f_{i,j}(v) \right), \quad f_{i,j}(v) = e^{-\bar{\alpha}_{i-j}} (q_1^{j-1} q_3^{i-1} v)^{-H_{i-j,0}+1}, \quad (\text{D.3})$$

are the group algebra parts of the (dual) intertwiner.

Since a direct computation leads us to

$$\frac{N_{\lambda\mu}(\mathfrak{q}^{-1}u/v)}{N_{\mu\lambda}(\mathfrak{q}^{-1}v/u)} = \prod_{\substack{s \in \lambda \\ h_{\mu,\lambda}(s) \equiv 0}} (-\mathfrak{q}^{-1}q_1^{a_\lambda(s)}q_3^{-\ell_\mu(s)-1}u/v) \prod_{\substack{t \in \mu \\ h_{\lambda,\mu}(t) \equiv 0}} (-\mathfrak{q}^{-1}q_1^{-a_\mu(t)-1}q_3^{\ell_\lambda(t)}u/v), \quad (\text{D.4})$$

it suffices to show that

$$z_\mu^*(v)z_\lambda(u)z_\mu^*(v)^{-1}z_\lambda(u)^{-1} = G_{\mu\lambda}^{(0)}(u/v), \quad (\text{D.5})$$

where

$$G_{\mu\lambda}^{(0)}(z) = z^{|\lambda|_0+|\mu|_0} \frac{f_\lambda}{f_\mu} \prod_{\substack{s \in \lambda \\ h_{\mu,\lambda}(s) \equiv 0}} (-\mathfrak{q}^{-1}q_1^{a_\lambda(s)}q_3^{-\ell_\mu(s)-1}z)^{-1} \prod_{\substack{t \in \mu \\ h_{\lambda,\mu}(t) \equiv 0}} (-\mathfrak{q}^{-1}q_1^{-a_\mu(t)-1}q_3^{\ell_\lambda(t)}z)^{-1}. \quad (\text{D.6})$$

Since (D.5) is trivially satisfied, when $\mu = \emptyset$, we can take the same strategy which we used in appendix C. Thus we first derive a recursion relation for the left hand side of (D.5).

From (D.3), we see that $z_{\mu+1_j}^*(v)/z_\mu^*(v) \sim f_{j,\mu_j+1}(v)$. Hence, the desired recursion relation follows from the relation

$$f_{j,\mu_j+1}(v)z_\lambda(u) = \left(-\mathfrak{q}q_1^{-\mu_j}q_3^{-j+1}u/v\right)^{\bar{\delta}_{\ell,0}} \frac{\prod_{i=1, i-\lambda_i \equiv \ell}^{\ell(\lambda)} (-\mathfrak{q}^{-1}q_1^{\lambda_i-\mu_j-1}q_3^{i-j}u/v)}{\ell(\lambda)+1} z_\lambda(u)f_{j,\mu_j+1}(v),$$

$$\prod_{i=1, i-\lambda_i \equiv \ell+1}^{\ell(\lambda)} (-\mathfrak{q}^{-1}q_1^{\lambda_i-\mu_j-1}q_3^{i-j-1}u/v)$$
(D.7)

where $\ell = j - \mu_j - 1$. We can check (D.7) in the way similar to the proof of Lemma 4 in appendix B. Then by the same argument as in appendix C where we translated the color selection rule in the right hand side of (D.7) to the condition on the relative hook length, we see that the right hand side of (D.6) satisfies the same recursion relation. This completes the proof of Lemma 6.

The function $G_{\mu\lambda}^{(0)}(z)$ universally appears in the commutation relations among the intertwiner Φ^λ and the dual intertwiner Φ_μ^* , since all the commutation relations of the zero modes can be expressed in terms of $G_{\mu\lambda}^{(0)}(z)$ as follows:

$$z_\mu^*(v)z_\lambda(u) = G_{\mu\lambda}^{(0)}(u/v)z_\lambda(u)z_\mu^*(v), \quad z_\mu(v)z_\lambda^*(u) = G_{\mu\lambda}^{(0)}(u/v)z_\lambda^*(u)z_\mu(v), \quad (\text{D.8})$$

$$z_\mu(v)z_\lambda(u) = (G_{\mu\lambda}^{(0)}(u/v))^{-1}z_\lambda(u)z_\mu(v), \quad z_\mu^*(v)z_\lambda^*(u) = (G_{\mu\lambda}^{(0)}(u/v))^{-1}z_\lambda^*(u)z_\mu^*(v). \quad (\text{D.9})$$

Using these relations, we can see

$$N_{\lambda\mu}(\mathfrak{q}^{-1}u/v)z_\mu(v)z_\lambda^*(u) = \left(\frac{u}{v}\right)^{|\lambda|_0+|\mu|_0} \frac{f_\lambda}{f_\mu} N_{\mu\lambda}(\mathfrak{q}^{-1}(u/v)^{-1})z_\lambda^*(u)z_\mu(v), \quad (\text{D.10})$$

$$N_{\lambda\mu}(\mathfrak{q}^{-2}u/v)^{-1}z_\mu(v)z_\lambda(u) = \left(\left(\frac{u}{\mathfrak{q}v}\right)^{|\lambda|_0+|\mu|_0} \frac{f_\lambda}{f_\mu} N_{\mu\lambda}(\mathfrak{q}^{-1}(u/\mathfrak{q}v)^{-1})\right)^{-1}$$

$$\times z_\mu(v)z_\mu(\mathfrak{q}v)^{-1}z_\lambda(u)z_\mu(\mathfrak{q}v)$$

$$= \left(\frac{u}{\mathfrak{q}v}\right)^{-|\lambda|_0-|\mu|_0} \frac{f_\mu}{f_\lambda} N_{\mu\lambda}(v/u)^{-1}z_\lambda(u)z_\mu(v) \times \mathfrak{q}^{-|\lambda|_0-|\mu|_0} \mathfrak{q}^{H(\lambda,\mu)}$$

$$= \left(\frac{u}{v}\right)^{-|\lambda|_0-|\mu|_0} \frac{f_\mu}{f_\lambda} N_{\mu\lambda}(v/u)^{-1}z_\lambda(u)z_\mu(v) \times \mathfrak{q}^{H(\lambda,\mu)}, \quad (\text{D.11})$$

$$N_{\lambda\mu}(u/v)^{-1}z_\mu^*(v)z_\lambda^*(u) = \left(\left(\frac{\mathfrak{q}u}{v}\right)^{|\lambda|_0+|\mu|_0} \frac{f_\lambda}{f_\mu} N_{\mu\lambda}(\mathfrak{q}^{-1}(\mathfrak{q}u/v)^{-1})\right)^{-1}$$

$$\times z_\lambda^*(\mathfrak{q}u)z_\mu^*(v)z_\lambda^*(\mathfrak{q}u)^{-1}z_\lambda^*(u)$$

$$= \left(\frac{\mathfrak{q}u}{v}\right)^{-|\lambda|_0-|\mu|_0} \frac{f_\mu}{f_\lambda} N_{\mu\lambda}(\mathfrak{q}^{-2}v/u)^{-1}z_\lambda^*(u)z_\mu^*(v) \times \mathfrak{q}^{|\lambda|_0+|\mu|_0} \mathfrak{q}^{-H(\lambda,\mu)}$$

$$= \left(\frac{u}{v}\right)^{-|\lambda|_0-|\mu|_0} \frac{f_\mu}{f_\lambda} N_{\mu\lambda}(\mathfrak{q}^{-2}v/u)^{-1}z_\lambda^*(u)z_\mu^*(v) \times \mathfrak{q}^{-H(\lambda,\mu)}, \quad (\text{D.12})$$

where

$$H(\lambda, \mu) = \#\{s \in \lambda | h_{\mu,\lambda}(s) \equiv 0\} + \#\{t \in \mu | h_{\lambda,\mu}(t) \equiv 0\}. \quad (\text{D.13})$$

E From colored Young diagrams to quotients

In this appendix, we first introduce the notion of the quotient of the Young diagram. We then use some combinatorial identities to express the characters of colored Young diagrams in terms of their quotients.

E.1 Quotients of the Young diagram

Let Y be a Young diagram and N a natural number. Then Y determines the N -tuple of Young diagrams $\{Y^{(0)}, \dots, Y^{(N-1)}\}$ called *quotients* and the vector of integer-valued *shifts* $\{p_0, \dots, p_{N-1}\}$, satisfying $\sum_{c=0}^{N-1} p_c = 0$. The correspondence is described in steps:

1. **Transformation into Maya diagram.** By the boson-fermion correspondence, the Young diagram determines the Maya diagram specifying the fermionic state. This state consists of a Dirac sea of electrons with momenta $k = -\frac{1}{2}, -\frac{3}{2}, \dots$ plus an equal number of electrons and holes, with momenta given by the Frobenius coordinates d_i, d_i^* of Y :

$$\text{holes at: } d_i = Y_i - i - \frac{1}{2}, \quad i = 1, \dots, n(Y), \quad (\text{E.1})$$

$$\text{electrons at: } d_i^* = i - Y_i^T + \frac{1}{2}, \quad i = 1, \dots, n(Y), \quad (\text{E.2})$$

where $n(Y)$ is the length of the diagonal of Y .

Example: for the diagram $Y = [3, 2]$, the holes are at $d = \{-\frac{5}{2}, -\frac{1}{2}\}$, and the electrons are at $d^* = \{\frac{1}{2}, \frac{3}{2}\}$.

2. **Division of the momenta lattice.** The lattice of fermionic momenta is divided into N subsectors labelled by the *color* $c = 0, \dots, (N - 1)$. Subsector c contains the electrons and holes with momenta k such that $k - \frac{1}{2} \equiv c \pmod{N}$. The general formula for the momenta of electrons and holes in subsector c is given by

$$d^{(c)} = \left\{ \frac{1}{N} \left(d_i - \frac{1}{2} - c \right) + \frac{1}{2} \mid d_i - \frac{1}{2} \equiv c \pmod{N}, \quad i = 1, \dots, n(Y) \right\}, \quad (\text{E.3})$$

$$d^{*(c)} = \left\{ \frac{1}{N} \left(d_i^* - \frac{1}{2} - c \right) + \frac{1}{2} \mid d_i^* - \frac{1}{2} \equiv c \pmod{N}, \quad i = 1, \dots, n(Y) \right\}. \quad (\text{E.4})$$

Example: let $Y = [3, 2]$ as in the example above and $N = 3$, then we get three subsectors with $c = 0, 1, 2$:

$$\begin{aligned} c = 0 : \quad & d^{(0)} = \left\{ -\frac{1}{2} \right\}, \quad d^{(0)*} = \left\{ \frac{1}{2} \right\}, \\ c = 1 : \quad & d^{(1)} = \emptyset, \quad d^{(1)*} = \left\{ \frac{1}{2} \right\}, \\ c = 2 : \quad & d^{(2)} = \left\{ -\frac{1}{2} \right\}, \quad d^{(2)*} = \emptyset. \end{aligned} \quad (\text{E.5})$$

3. **Shifting the vacuum charge.** The collection of electrons and holes from each subsector determines a fermionic state. However, though the total number of electrons is equal to the total number of holes, their numbers might not match in each subsector separately. Equivalently, the Dirac seas in the subsectors have different levels, i.e. the states may have nonzero vacuum charge. We denote the *negative* value³³ of this vacuum charge by p_c :

$$p_c = \# \{d_i^{(c)}\} - \# \{d_i^{(c)*}\}. \tag{E.6}$$

Notice that the sum of all p_c vanishes since the charge of the original vacuum state is zero. Eliminating the vacuum charges in each sector, one can transform the corresponding fermionic states into *quotient* Young diagrams $Y^{(c)}$.

Example: let $Y = [3, 2]$ and $N = 3$. The subsectors are listed in eq. (E.5). The shifts read:

$$\begin{aligned} c = 0 : & \quad p_0 = 0, \\ c = 1 : & \quad p_1 = -1, \\ c = 2 : & \quad p_2 = 1. \end{aligned} \tag{E.7}$$

Finally, the collection of quotient Young diagrams together with shifts is

$$Y = [3, 2] \quad \Leftrightarrow \quad \begin{aligned} Y^{(c)} &= \{[1], \emptyset, \emptyset\}, \\ p_c &= \{0, -1, 1\} \end{aligned} \tag{E.8}$$

One can easily write down the relation between the total number of boxes in the original Young diagram and its quotients:

$$|Y| = \sum_{c=0}^{N-1} \left(N|Y^{(c)}| + \frac{N}{2}p_c^2 - cp_c \right). \tag{E.9}$$

In the next subsection, we work out a more general relation between the character of the Young diagram and its quotients.

E.2 Decomposing characters

The (uncolored) character of the Young diagram is defined as follows:

$$\text{ch}_Y(q) = \sum_{(i,j) \in Y} q^{j-i}. \tag{E.10}$$

After substituting $q = e^{\hbar}$ and expanding in \hbar , eq. (E.10) actually gives the character of the \mathfrak{gl}_∞ representation associated with the Young diagram Y . We also have

$$\text{ch}_Y(1) = |Y|. \tag{E.11}$$

³³In other words, p_c denotes the value of the momentum shift needed to eliminate the vacuum charge. Of course, one can use the convention, where the sign of p_c is reversed.

We would like to rewrite the character as a manifest function of the quotient diagrams $Y^{(c)}$ and of the shifts p_c . This, indeed, can be done and we obtain the following expression:

$$\text{ch}_Y(q) = \frac{1 - q^N}{1 - q} \sum_{c=0}^{N-1} q^{Np_c - c} \left(\text{ch}_{Y^{(c)}}(q^N) - \frac{1}{1 - q^{-N}} \frac{1 - q^{-Np_c}}{1 - q^N} \right). \quad (\text{E.12})$$

One can also introduce the *colored* character

$$\text{ch}_Y^{(c)}(q) = \sum_{\substack{(i,j) \in Y \\ i-j \equiv c \pmod{N}}} q^{j-i}. \quad (\text{E.13})$$

Naturally

$$\text{ch}_Y(q) = \sum_{c=0}^{N-1} \text{ch}_Y^{(c)}(q). \quad (\text{E.14})$$

The colored characters can also be expressed in terms of the quotient Young diagrams:

$$\text{ch}_Y^{(c)}(q) = \sum_{d=0}^{N-1} q^{-N \lfloor \frac{d-c}{N} \rfloor - c + d} q^{Np_d - d} \left(\text{ch}_{Y^{(d)}}(q^N) - \frac{1}{1 - q^{-N}} \frac{1 - q^{-Np_d}}{1 - q^N} \right), \quad (\text{E.15})$$

where $\lfloor x \rfloor$ denotes the floor function of x . One observes that the colored characters $\text{ch}_Y^{(c)}(q)$ are linear combinations of $\text{ch}_{Y^{(c)}}(q)$ with very special coefficients forming a matrix L :

$$L_{cd}(q) = q^{-N \lfloor \frac{d-c}{N} \rfloor - c + d}. \quad (\text{E.16})$$

The matrix L turns out to have a particularly nice inverse:

$$L(q)^{-1} = \frac{1}{1 - q^N} \begin{pmatrix} 1 & -q & 0 & \cdots & 0 \\ 0 & 1 & -q & \ddots & \vdots \\ 0 & 0 & 1 & \ddots & 0 \\ 0 & & & \ddots & -q \\ -q & 0 & \cdots & 0 & 1 \end{pmatrix}, \quad (\text{E.17})$$

$$(\text{E.18})$$

or, in the index notation,

$$(L(q)^{-1})_{cd} = \frac{\delta_{cd} - q \bar{\delta}_{c,d-1}}{1 - q^N}, \quad (\text{E.19})$$

where $\bar{\delta}_{cd}$ is the Kronecker symbol modulo N . In section 4.5, we used this result for the inverse matrix in order to transform the expression for the non-Abelian DIM intertwiner into a product of commuting intertwiners.

Open Access. This article is distributed under the terms of the Creative Commons Attribution License ([CC-BY 4.0](https://creativecommons.org/licenses/by/4.0/)), which permits any use, distribution and reproduction in any medium, provided the original author(s) and source are credited.

References

- [1] A.A. Belavin, A.M. Polyakov and A.B. Zamolodchikov, *Infinite Conformal Symmetry in Two-Dimensional Quantum Field Theory*, *Nucl. Phys. B* **241** (1984) 333 [[INSPIRE](#)].
- [2] A. Zamolodchikov and Al. Zamolodchikov, *Conformal field theory and critical phenomena in 2d systems*, MCCME, Moscow, Russia, (2009), ISBN 978-5-94057-520-7.
- [3] L. Álvarez-Gaumé, *Random surfaces, statistical mechanics and string theory*, *Helv. Phys. Acta* **64** (1991) 359 [[INSPIRE](#)].
- [4] P. Di Francesco, P. Mathieu and D. Senechal, *Conformal Field Theory*, Springer, (1996).
- [5] L.F. Alday, D. Gaiotto and Y. Tachikawa, *Liouville Correlation Functions from Four-dimensional Gauge Theories*, *Lett. Math. Phys.* **91** (2010) 167 [[arXiv:0906.3219](#)] [[INSPIRE](#)].
- [6] N. Wyllard, *A_{N-1} conformal Toda field theory correlation functions from conformal $N = 2$ $SU(N)$ quiver gauge theories*, *JHEP* **11** (2009) 002 [[arXiv:0907.2189](#)] [[INSPIRE](#)].
- [7] A. Mironov and A. Morozov, *On AGT relation in the case of $U(3)$* , *Nucl. Phys. B* **825** (2010) 1 [[arXiv:0908.2569](#)] [[INSPIRE](#)].
- [8] H. Awata and H. Kanno, *Instanton counting, Macdonald functions and the moduli space of D -branes*, *JHEP* **05** (2005) 039 [[hep-th/0502061](#)] [[INSPIRE](#)].
- [9] H. Awata and Y. Yamada, *Five-dimensional AGT Conjecture and the Deformed Virasoro Algebra*, *JHEP* **01** (2010) 125 [[arXiv:0910.4431](#)] [[INSPIRE](#)].
- [10] H. Awata and Y. Yamada, *Five-dimensional AGT Relation and the Deformed beta-ensemble*, *Prog. Theor. Phys.* **124** (2010) 227 [[arXiv:1004.5122](#)] [[INSPIRE](#)].
- [11] S. Yanagida, *Five-dimensional $SU(2)$ AGT conjecture and recursive formula of deformed Gaiotto state*, *J. Math. Phys.* **51** (2010) 123506 [[arXiv:1005.0216](#)] [[INSPIRE](#)].
- [12] H. Awata, H. Fujii, H. Kanno, M. Manabe and Y. Yamada, *Localization with a Surface Operator, Irregular Conformal Blocks and Open Topological String*, *Adv. Theor. Math. Phys.* **16** (2012) 725 [[arXiv:1008.0574](#)] [[INSPIRE](#)].
- [13] H. Kanno and Y. Tachikawa, *Instanton counting with a surface operator and the chain-saw quiver*, *JHEP* **06** (2011) 119 [[arXiv:1105.0357](#)] [[INSPIRE](#)].
- [14] A. Mironov, A. Morozov, S. Shakirov and A. Smirnov, *Proving AGT conjecture as HS duality: extension to five dimensions*, *Nucl. Phys. B* **855** (2012) 128 [[arXiv:1105.0948](#)] [[INSPIRE](#)].
- [15] H. Kanno and M. Taki, *Generalized Whittaker states for instanton counting with fundamental hypermultiplets*, *JHEP* **05** (2012) 052 [[arXiv:1203.1427](#)] [[INSPIRE](#)].
- [16] F. Nieri, S. Pasquetti and F. Passerini, *3d and 5d Gauge Theory Partition Functions as q -deformed CFT Correlators*, *Lett. Math. Phys.* **105** (2015) 109 [[arXiv:1303.2626](#)] [[INSPIRE](#)].
- [17] F. Nieri, S. Pasquetti, F. Passerini and A. Torrielli, *5D partition functions, q -Virasoro systems and integrable spin-chains*, *JHEP* **12** (2014) 040 [[arXiv:1312.1294](#)] [[INSPIRE](#)].
- [18] M.-C. Tan, *An M -Theoretic Derivation of a 5d and 6d AGT Correspondence and Relativistic and Elliptized Integrable Systems*, *JHEP* **12** (2013) 031 [[arXiv:1309.4775](#)] [[INSPIRE](#)].

- [19] M.-C. Tan, *Higher AGT Correspondences, W-algebras and Higher Quantum Geometric Langlands Duality from M-theory*, [arXiv:1607.08330](#) [INSPIRE].
- [20] H. Itoyama, T. Oota and R. Yoshioka, *q-Vertex Operator from 5D Nekrasov Function*, *J. Phys. A* **49** (2016) 345201 [[arXiv:1602.01209](#)] [INSPIRE].
- [21] A. Nedelin and M. Zabzine, *q-Virasoro constraints in matrix models*, *JHEP* **03** (2017) 098 [[arXiv:1511.03471](#)] [INSPIRE].
- [22] R. Yoshioka, *The integral representation of solutions of KZ equation and a modification by K operator insertion*, [arXiv:1512.01084](#) [INSPIRE].
- [23] H. Awata, H. Fujino and Y. Ohkubo, *Crystallization of deformed Virasoro algebra, Ding-Iohara-Miki algebra and 5D AGT correspondence*, *J. Math. Phys.* **58** (2017) 071704 [[arXiv:1512.08016](#)] [INSPIRE].
- [24] S. Pasquetti, *Holomorphic blocks and the 5d AGT correspondence*, *J. Phys. A* **50** (2017) 443016 [[arXiv:1608.02968](#)] [INSPIRE].
- [25] N. Seiberg and E. Witten, *Electric-magnetic duality, monopole condensation and confinement in $N = 2$ supersymmetric Yang-Mills theory*, *Nucl. Phys. B* **426** (1994) 19 [Erratum *ibid.* **B 430** (1994) 485] [[hep-th/9407087](#)] [INSPIRE].
- [26] N. Seiberg and E. Witten, *Monopoles, duality and chiral symmetry breaking in $N = 2$ supersymmetric QCD*, *Nucl. Phys. B* **431** (1994) 484 [[hep-th/9408099](#)] [INSPIRE].
- [27] A. Gorsky, I. Krichever, A. Marshakov, A. Mironov and A. Morozov, *Integrability and Seiberg-Witten exact solution*, *Phys. Lett. B* **355** (1995) 466 [[hep-th/9505035](#)] [INSPIRE].
- [28] R. Donagi and E. Witten, *Supersymmetric Yang-Mills theory and integrable systems*, *Nucl. Phys. B* **460** (1996) 299 [[hep-th/9510101](#)] [INSPIRE].
- [29] E.J. Martinec, *Integrable structures in supersymmetric gauge and string theory*, *Phys. Lett. B* **367** (1996) 91 [[hep-th/9510204](#)] [INSPIRE].
- [30] E.J. Martinec and N.P. Warner, *Integrability in $N = 2$ gauge theory: A proof*, [[hep-th/9511052](#)] [INSPIRE].
- [31] A. Gorsky and A. Mironov, *Integrable many body systems and gauge theories*, [[hep-th/0011197](#)] [INSPIRE].
- [32] N.A. Nekrasov, *Seiberg-Witten prepotential from instanton counting*, *Adv. Theor. Math. Phys.* **7** (2003) 831 [[hep-th/0206161](#)] [INSPIRE].
- [33] R. Flume and R. Poghossian, *An algorithm for the microscopic evaluation of the coefficients of the Seiberg-Witten prepotential*, *Int. J. Mod. Phys. A* **18** (2003) 2541 [[hep-th/0208176](#)] [INSPIRE].
- [34] N. Nekrasov and A. Okounkov, *Seiberg-Witten theory and random partitions*, *Prog. Math.* **244** (2006) 525 [[hep-th/0306238](#)] [INSPIRE].
- [35] J. Wess and B. Zumino, *Consequences of anomalous Ward identities*, *Phys. Lett. B* **37** (1971) 95 [INSPIRE].
- [36] S.P. Novikov, *The Hamiltonian formalism and a many valued analog of Morse theory*, *Usp. Mat. Nauk* **37N5** (1982) 3 [INSPIRE].
- [37] E. Witten, *Nonabelian Bosonization in Two-Dimensions*, *Commun. Math. Phys.* **92** (1984) 455 [INSPIRE].

- [38] A.M. Polyakov and P.B. Wiegmann, *Theory of Nonabelian Goldstone Bosons*, *Phys. Lett. B* **131** (1983) 121 [INSPIRE].
- [39] A.M. Polyakov and P.B. Wiegmann, *Goldstone Fields in Two-Dimensions with Multivalued Actions*, *Phys. Lett. B* **141** (1984) 223 [INSPIRE].
- [40] B.L. Feigin and D.B. Fuks, *Invariant skew symmetric differential operators on the line and verma modules over the Virasoro algebra*, *Funct. Anal. Appl.* **16** (1982) 114 [INSPIRE].
- [41] V.S. Dotsenko and V.A. Fateev, *Conformal Algebra and Multipoint Correlation Functions in Two-Dimensional Statistical Models*, *Nucl. Phys. B* **240** (1984) 312 [INSPIRE].
- [42] M. Wakimoto, *Fock representations of the affine lie algebra $A_1(1)$* , *Commun. Math. Phys.* **104** (1986) 605 [INSPIRE].
- [43] A. Gerasimov, A. Morozov, M. Olshanetsky, A. Marshakov and S.L. Shatashvili, *Wess-Zumino-Witten model as a theory of free fields*, *Int. J. Mod. Phys. A* **5** (1990) 2495 [INSPIRE].
- [44] V.S. Dotsenko, *The Free Field Representation of the $SU(2)$ Conformal Field Theory*, *Nucl. Phys. B* **338** (1990) 747 [INSPIRE].
- [45] V.S. Dotsenko, *Solving the $SU(2)$ conformal field theory with the Wakimoto free field representation*, *Nucl. Phys. B* **358** (1991) 547 [INSPIRE].
- [46] B. Feigin and E. Frenkel, *Quantization of the Drinfeld-Sokolov reduction*, *Phys. Lett. B* **246** (1990) 75 [INSPIRE].
- [47] A. Mironov, A. Morozov and S. Shakirov, *Matrix Model Conjecture for Exact BS Periods and Nekrasov Functions*, *JHEP* **02** (2010) 030 [arXiv:0911.5721] [INSPIRE].
- [48] A. Mironov, A. Morozov and S. Shakirov, *Conformal blocks as Dotsenko-Fateev Integral Discriminants*, *Int. J. Mod. Phys. A* **25** (2010) 3173 [arXiv:1001.0563] [INSPIRE].
- [49] A. Mironov, A. Morozov and S. Shakirov, *Brezin-Gross-Witten model as ‘pure gauge’ limit of Selberg integrals*, *JHEP* **03** (2011) 102 [arXiv:1011.3481] [INSPIRE].
- [50] A. Morozov and Y. Zenkevich, *Decomposing Nekrasov Decomposition*, *JHEP* **02** (2016) 098 [arXiv:1510.01896] [INSPIRE].
- [51] A. Mironov, A. Morozov and Y. Zenkevich, *On elementary proof of AGT relations from six dimensions*, *Phys. Lett. B* **756** (2016) 208 [arXiv:1512.06701] [INSPIRE].
- [52] A. Mironov, A. Morozov and Y. Zenkevich, *Spectral duality in elliptic systems, six-dimensional gauge theories and topological strings*, *JHEP* **05** (2016) 121 [arXiv:1603.00304] [INSPIRE].
- [53] A. Mironov, A. Morozov and Y. Zenkevich, *Ding-Iohara-Miki symmetry of network matrix models*, *Phys. Lett. B* **762** (2016) 196 [arXiv:1603.05467] [INSPIRE].
- [54] H. Awata et al., *Explicit examples of DIM constraints for network matrix models*, *JHEP* **07** (2016) 103 [arXiv:1604.08366] [INSPIRE].
- [55] H. Awata et al., *Toric Calabi-Yau threefolds as quantum integrable systems. \mathcal{R} -matrix and \mathcal{RTT} relations*, *JHEP* **10** (2016) 047 [arXiv:1608.05351] [INSPIRE].
- [56] H. Awata et al., *Anomaly in \mathcal{RTT} relation for DIM algebra and network matrix models*, *Nucl. Phys. B* **918** (2017) 358 [arXiv:1611.07304] [INSPIRE].

- [57] H. Awata et al., *Generalized Knizhnik-Zamolodchikov equation for Ding-Iohara-Miki algebra*, *Phys. Rev. D* **96** (2017) 026021 [[arXiv:1703.06084](#)] [[INSPIRE](#)].
- [58] J.-E. Bourguine, Y. Matsuo and H. Zhang, *Holomorphic field realization of SH^c and quantum geometry of quiver gauge theories*, *JHEP* **04** (2016) 167 [[arXiv:1512.02492](#)] [[INSPIRE](#)].
- [59] J.-E. Bourguine, M. Fukuda, Y. Matsuo, H. Zhang and R.-D. Zhu, *Coherent states in quantum $W_{1+\infty}$ algebra and qq-character for 5d Super Yang-Mills*, *PTEP* **2016** (2016) 123B05 [[arXiv:1606.08020](#)] [[INSPIRE](#)].
- [60] J.-E. Bourguine, M. Fukuda, K. Harada, Y. Matsuo and R.-D. Zhu, *(p,q) -webs of DIM representations, 5d $N = 1$ instanton partition functions and qq-characters*, *JHEP* **11** (2017) 034 [[arXiv:1703.10759](#)] [[INSPIRE](#)].
- [61] M. Fukuda, K. Harada, Y. Matsuo and R.-D. Zhu, *The Maulik-Okounkov R-matrix from the Ding-Iohara-Miki algebra*, *PTEP* **2017** (2017) 093A01 [[arXiv:1705.02941](#)] [[INSPIRE](#)].
- [62] J.-E. Bourguine, M. Fukuda, Y. Matsuo and R.-D. Zhu, *Reflection states in Ding-Iohara-Miki algebra and brane-web for D-type quiver*, *JHEP* **12** (2017) 015 [[arXiv:1709.01954](#)] [[INSPIRE](#)].
- [63] T. Kimura and V. Pestun, *Quiver W-algebras*, [arXiv:1512.08533](#) [[INSPIRE](#)].
- [64] T. Kimura and V. Pestun, *Quiver elliptic W-algebras*, [arXiv:1608.04651](#) [[INSPIRE](#)].
- [65] T. Kimura and V. Pestun, *Fractional quiver W-algebras*, [arXiv:1705.04410](#) [[INSPIRE](#)].
- [66] A. Okounkov, *Lectures on K-theoretic computations in enumerative geometry*, [arXiv:1512.07363](#) [[INSPIRE](#)].
- [67] A. Okounkov and A. Smirnov, *Quantum difference equation for Nakajima varieties*, [arXiv:1602.09007](#) [[INSPIRE](#)].
- [68] A. Smirnov, *Rationality of capped descendent vertex in K-theory*, [arXiv:1612.01048](#) [[INSPIRE](#)].
- [69] J. Ding and K. Iohara, *Generalization of Drinfeld quantum affine algebras*, *Lett. Math. Phys.* **41** (1997) 181 [[q-alg/9608002](#)].
- [70] K. Miki, *A (q, γ) analog of the $W_{1+\infty}$ algebra*, *J. Math. Phys.* **48** (2007) 123520.
- [71] B. Feigin and A. Tsymbaliuk, *Heisenberg action in the equivariant K-theory of Hilbert schemes via Shuffle Algebra*, *Kyoto J. Math.* **51** (2011) 831 [[arXiv:0904.1679](#)].
- [72] B. Feigin, E. Feigin, M. Jimbo, T. Miwa and E. Mukhin, *Quantum continuous \mathfrak{gl}_∞ : Semi-infinite construction of representations*, *Kyoto J. Math.* **51** (2011) 337 [[arXiv:1002.3100](#)].
- [73] B. Feigin, K. Hashizume, A. Hoshino, J. Shiraishi and S. Yanagida, *A commutative algebra on degenerate CP^1 and Macdonald polynomials*, *J. Math. Phys.* **50** (2009) 095215 [[arXiv:0904.2291](#)].
- [74] B. Feigin, A. Hoshino, J. Shibahara, J. Shiraishi and S. Yanagida, *Kernel function and quantum algebras*, [arXiv:1002.2485](#).
- [75] B. Feigin, E. Feigin, M. Jimbo, T. Miwa and E. Mukhin, *Quantum continuous \mathfrak{gl}_∞ : Tensor products of Fock modules and W_n characters*, [arXiv:1002.3113](#) [[INSPIRE](#)].
- [76] H. Awata, B. Feigin, A. Hoshino, M. Kanai, J. Shiraishi and S. Yanagida, *Notes on Ding-Iohara algebra and AGT conjecture*, *RIMS Kōkyūroku* **1765** (2011) 12.

- [77] H. Awata, B. Feigin, A. Hoshino, M. Kanai, J. Shiraishi and S. Yanagida, *Notes on Ding-Iohara algebra and AGT conjecture*, [arXiv:1106.4088](#) [[INSPIRE](#)].
- [78] B. Feigin, M. Jimbo, T. Miwa and E. Mukhin, *Quantum toroidal \mathfrak{gl}_1 algebra: plane partitions*, *Kyoto J. Math.* **52** (2012) 621 [[arXiv:1110.5310](#)].
- [79] B. Feigin, M. Jimbo, T. Miwa and E. Mukhin, *Quantum toroidal \mathfrak{gl}_1 and Bethe ansatz*, *J. Phys. A* **48** (2015) 244001 [[arXiv:1502.07194](#)] [[INSPIRE](#)].
- [80] H. Awata, B. Feigin and J. Shiraishi, *Quantum Algebraic Approach to Refined Topological Vertex*, *JHEP* **03** (2012) 041 [[arXiv:1112.6074](#)] [[INSPIRE](#)].
- [81] B. Feigin, M. Jimbo, T. Miwa and E. Mukhin, *Representations of quantum toroidal \mathfrak{gl}_n* *J. Algebra* **380** (2013) 78 [[arXiv:1204.5378](#)].
- [82] B. Feigin, M. Jimbo, T. Miwa and E. Mukhin, *Branching rules for quantum toroidal \mathfrak{gl}_n* , *Adv. Math.* **300** (2016) 229 [[arXiv:1309.2147](#)] [[INSPIRE](#)].
- [83] B. Feigin, M. Jimbo, T. Miwa and E. Mukhin, *Finite Type Modules and Bethe Ansatz for Quantum Toroidal \mathfrak{gl}_1* , *Commun. Math. Phys.* **356** (2017) 285 [[arXiv:1603.02765](#)] [[INSPIRE](#)].
- [84] B. Feigin, M. Jimbo and E. Mukhin, *Integrals of motion from quantum toroidal algebras*, *J. Phys. A* **50** (2017) 464001 [[arXiv:1705.07984](#)] [[INSPIRE](#)].
- [85] G. Aminov, A. Mironov and A. Morozov, *Modular properties of 6d (DELL) systems*, *JHEP* **11** (2017) 023 [[arXiv:1709.04897](#)] [[INSPIRE](#)].
- [86] V.G. Knizhnik and A.B. Zamolodchikov, *Current Algebra and Wess-Zumino Model in Two-Dimensions*, *Nucl. Phys. B* **247** (1984) 83 [[INSPIRE](#)].
- [87] P.I. Etingof, I.B. Frenkel and A.A. Kirillov Jr., *Lectures on Representation Theory and Knizhnik-Zamolodchikov Equations*, *Mathematical surveys and monographs* **58**, AMS (1998).
- [88] I.B. Frenkel and N. Yu. Reshetikhin, *Quantum affine algebras and holonomic difference equations*, *Commun. Math. Phys.* **146** (1992) 1 [[INSPIRE](#)].
- [89] D. Bernard, *On the Wess-Zumino-Witten Models on the Torus*, *Nucl. Phys. B* **303** (1988) 77 [[INSPIRE](#)].
- [90] D. Bernard, *On the Wess-Zumino-Witten Models on Riemann Surfaces*, *Nucl. Phys. B* **309** (1988) 145 [[INSPIRE](#)].
- [91] G. Felder and A. Varchenko, *Integral representation of solutions of the elliptic Knizhnik-Zamolodchikov-Bernard equations*, *Int. Math. Res. Not.* (1995) 221 [[hep-th/9502165](#)] [[INSPIRE](#)].
- [92] P. Etingof and A. Varchenko, *Traces of intertwiners for quantum groups and difference equations, I*, [math/9907181](#).
- [93] P. Etingof and A. Varchenko, *The orthogonality and qKZB-heat equation for traces of $U_q(\mathfrak{g})$ -intertwiners*, [math/0302071](#).
- [94] P. Etingof, O. Schiffmann and A. Varchenko, *Traces of intertwiners for quantum groups and difference equations, II*, [math/0207157](#).
- [95] Y. Sun, *Traces of intertwiners for quantum affine algebras and difference equations (after Etingof-Schiffmann-Varchenko)*, [arXiv:1609.09038](#).

- [96] V.V. Schechtman and A.N. Varchenko, *Hypergeometric solutions of Knizhnik-Zamolodchikov equations*, *Lett. Math. Phys.* **20** (1990) 279 [INSPIRE].
- [97] V. Schechtman and A. Varchenko, *Arrangements of Hyperplanes and Lie Algebra Homology*, *Invent. Math.* **106** (1991) 139.
- [98] H. Awata, A. Tsuchiya and Y. Yamada, *Integral formulas for the WZNW correlation functions*, *Nucl. Phys. B* **365** (1991) 680 [INSPIRE].
- [99] H. Awata, *Screening currents ward identity and integral formulas for the WZNW correlation functions*, *Prog. Theor. Phys. Suppl.* **110** (1992) 303 [hep-th/9202032] [INSPIRE].
- [100] H. Awata, S. Odake and J. Shiraishi, *Nagoya Repository*, <http://hdl.handle.net/2237/25736>, (1993).
- [101] G. Felder, V. Tarasov and A. Varchenko, *Solutions of the elliptic q KZB equations and Bethe ansatz*, *Am. Math. Soc. Transl.* **180** (1997) 45.
- [102] G. Felder, V. Tarasov and A. Varchenko, *Monodromy of solutions of the elliptic quantum Knizhnik-Zamolodchikov-Bernard difference equations*, *Int. J. Math.* **10** (1999) 943 [q-alg/9705017].
- [103] G. Felder and A. Varchenko, *The q -deformed Knizhnik-Zamolodchikov-Bernard heat equation*, *Comm. Math. Phys.* **221** (2001) 549 [math/9809139].
- [104] H.W. Braden, A. Marshakov, A. Mironov and A. Morozov, *On double elliptic integrable systems. 1. A duality argument for the case of $SU(2)$* , *Nucl. Phys. B* **573** (2000) 553 [hep-th/9906240] [INSPIRE].
- [105] A. Mironov and A. Morozov, *Commuting Hamiltonians from Seiberg-Witten theta functions*, *Phys. Lett. B* **475** (2000) 71 [hep-th/9912088] [INSPIRE].
- [106] A. Mironov and A. Morozov, *Double elliptic systems: Problems and perspectives*, in *Proceedings, International Workshop on Supersymmetries and Quantum Symmetries (SQS'99): Moscow, Russia, July 27–31, 1999*, hep-th/0001168 [INSPIRE].
- [107] G. Aminov, A. Mironov, A. Morozov and A. Zotov, *Three-particle Integrable Systems with Elliptic Dependence on Momenta and Theta Function Identities*, *Phys. Lett. B* **726** (2013) 802 [arXiv:1307.1465] [INSPIRE].
- [108] G. Aminov, H.W. Braden, A. Mironov, A. Morozov and A. Zotov, *Seiberg-Witten curves and double-elliptic integrable systems*, *JHEP* **01** (2015) 033 [arXiv:1410.0698] [INSPIRE].
- [109] G. Aminov, A. Mironov and A. Morozov, *New non-linear equations and modular form expansion for double-elliptic Seiberg-Witten prepotential*, *Eur. Phys. J. C* **76** (2016) 433 [arXiv:1606.05274] [INSPIRE].
- [110] H. Nakajima, *Instantons on ALE spaces, quiver varieties and Kac-Moody algebras*, *Duke Math. J.* **76** (1994) 365 [INSPIRE].
- [111] H. Nakajima, *Quiver varieties and finite dimensional representations of quantum affine algebras*, *J. Am. Math. Soc.* **14** (2001) 145 [math/9912158].
- [112] V. Drinfeld, *Hopf algebras and the quantum Yang-Baxter equation*, *Dokl. Akad. Nauk SSSR* **283** (1985) 1060.
- [113] M. Jimbo, *A q difference analog of $U(g)$ and the Yang-Baxter equation*, *Lett. Math. Phys.* **10** (1985) 63 [INSPIRE].

- [114] M. Jimbo, *A q Analog of $U(\mathfrak{gl}_{N+1})$, Hecke Algebra and the Yang-Baxter Equation*, *Lett. Math. Phys.* **11** (1986) 247 [[INSPIRE](#)].
- [115] M. Jimbo, *Quantum R Matrix for the Generalized Toda System*, *Commun. Math. Phys.* **102** (1986) 537 [[INSPIRE](#)].
- [116] V.G. Drinfeld, *A new realization of Yangians and quantum affine algebras*, *Sov. Math. Dokl.* **36** (1988) 212.
- [117] M. Varagnolo and E. Vasserot, *Double-loop algebras and the Fock space*, *Invent. Math.* **133** (1998) 133 [[q-alg/9612035](#)].
- [118] M. Varagnolo and E. Vasserot, *On the K-theory of the cyclic quiver variety*, *Math. Res. Lett.* **18** (1999) 1005 [[math/9902091](#)].
- [119] K. Nagao, *Quiver varieties and Frenkel-Kac construction*, *J. Algebra* **321** (2009) 3764 [[math/0703107](#)].
- [120] K. Nagao, *K-theory of quiver varieties, q -Fock space and nonsymmetric Macdonald polynomials*, *Osaka J. Math.* **46** (2009) 877 [[arXiv:0709.1767](#)].
- [121] A. Negut, *Quantum Algebras and Cyclic Quiver Varieties*, [arXiv:1504.06525](#).
- [122] Y. Saito, *Quantum toroidal algebras and their vertex representations*, *Publ. Res. Inst. Math. Sci. Kyoto* **34** (1998) 155 [[q-alg/9611030](#)].
- [123] Y. Saito, K. Takemura and D. Uglov, *Toroidal actions on level 1 modules of $U_q(\hat{\mathfrak{sl}}_n)$* , *Transform. Groups* **3** (1998) 75 [[q-alg/9702024](#)].
- [124] M. Taki, *Refined Topological Vertex and Instanton Counting*, *JHEP* **03** (2008) 048 [[arXiv:0710.1776](#)] [[INSPIRE](#)].
- [125] H. Awata and H. Kanno, *Refined BPS state counting from Nekrasov's formula and Macdonald functions*, *Int. J. Mod. Phys. A* **24** (2009) 2253 [[arXiv:0805.0191](#)] [[INSPIRE](#)].
- [126] A. Marshakov, A. Mironov and A. Morozov, *Generalized matrix models as conformal field theories: Discrete case*, *Phys. Lett. B* **265** (1991) 99 [[INSPIRE](#)].
- [127] A. Mironov and S. Pakulyak, *On the continuum limit of the conformal matrix models*, *Theor. Math. Phys.* **95** (1993) 604 [[hep-th/9209100](#)] [[INSPIRE](#)].
- [128] S. Kharchev, A. Marshakov, A. Mironov, A. Morozov and S. Pakuliak, *Conformal matrix models as an alternative to conventional multimatrix models*, *Nucl. Phys. B* **404** (1993) 717 [[hep-th/9208044](#)] [[INSPIRE](#)].
- [129] H. Awata, Y. Matsuo, S. Odake and J. Shiraishi, *Collective field theory, Calogero-Sutherland model and generalized matrix models*, *Phys. Lett. B* **347** (1995) 49 [[hep-th/9411053](#)] [[INSPIRE](#)].
- [130] H. Awata, Y. Matsuo, S. Odake and J. Shiraishi, *Excited states of Calogero-Sutherland model and singular vectors of the $W(N)$ algebra*, *Nucl. Phys. B* **449** (1995) 347 [[hep-th/9503043](#)] [[INSPIRE](#)].
- [131] H. Awata, Y. Matsuo, S. Odake and J. Shiraishi, *A note on Calogero-Sutherland model, $W(n)$ singular vectors and generalized matrix models*, *Soryushiron Kenkyu* **91** (1995) A69 [[hep-th/9503028](#)] [[INSPIRE](#)].
- [132] R. Dijkgraaf and C. Vafa, *Toda Theories, Matrix Models, Topological Strings and $N = 2$ Gauge Systems*, [arXiv:0909.2453](#) [[INSPIRE](#)].

- [133] H. Itoyama, K. Maruyoshi and T. Oota, *The Quiver Matrix Model and 2d-4d Conformal Connection*, *Prog. Theor. Phys.* **123** (2010) 957 [[arXiv:0911.4244](#)] [[INSPIRE](#)].
- [134] T. Eguchi and K. Maruyoshi, *Penner Type Matrix Model and Seiberg-Witten Theory*, *JHEP* **02** (2010) 022 [[arXiv:0911.4797](#)] [[INSPIRE](#)].
- [135] T. Eguchi and K. Maruyoshi, *Seiberg-Witten theory, matrix model and AGT relation*, *JHEP* **07** (2010) 081 [[arXiv:1006.0828](#)] [[INSPIRE](#)].
- [136] R. Schiappa and N. Wyllard, *An $A(r)$ threesome: Matrix models, 2d CFTs and 4d $N = 2$ gauge theories*, *J. Math. Phys.* **51** (2010) 082304 [[arXiv:0911.5337](#)] [[INSPIRE](#)].
- [137] P. Sulkowski, *Matrix models for beta-ensembles from Nekrasov partition functions*, *JHEP* **04** (2010) 063 [[arXiv:0912.5476](#)] [[INSPIRE](#)].
- [138] H. Itoyama and T. Oota, *Method of Generating q -Expansion Coefficients for Conformal Block and $N = 2$ Nekrasov Function by beta-Deformed Matrix Model*, *Nucl. Phys. B* **838** (2010) 298 [[arXiv:1003.2929](#)] [[INSPIRE](#)].
- [139] A. Mironov, A. Morozov and A. Morozov, *Conformal blocks and generalized Selberg integrals*, *Nucl. Phys. B* **843** (2011) 534 [[arXiv:1003.5752](#)] [[INSPIRE](#)].
- [140] F. Fucito, J.F. Morales and R. Poghossian, *Multi instanton calculus on ALE spaces*, *Nucl. Phys. B* **703** (2004) 518 [[hep-th/0406243](#)] [[INSPIRE](#)].
- [141] S. Fujii and S. Minabe, *A combinatorial study on quiver varieties*, *SIGMA* **13** (2017) 052 [[math/0510455](#)] [[INSPIRE](#)].
- [142] K. Takemura and D. Uglov, *The orthogonal eigenbasis and norms of eigenvectors in the Spin Calogero-Sutherland Model*, *J. Phys. A* **30** (1997) 3685 [[solv-int/9611006](#)].
- [143] D. Uglov, *Yangian Gelfand-Zetlin bases, \mathfrak{gl}_N Jack polynomials and computation of dynamical correlation functions in the spin Calogero-Sutherland model*, *Commun. Math. Phys.* **193** (1998) 663 [[hep-th/9702020](#)] [[INSPIRE](#)].
- [144] V. Belavin and B. Feigin, *Super Liouville conformal blocks from $N = 2$ $SU(2)$ quiver gauge theories*, *JHEP* **07** (2011) 079 [[arXiv:1105.5800](#)] [[INSPIRE](#)].
- [145] T. Nishioka and Y. Tachikawa, *Central charges of para-Liouville and Toda theories from M -5-branes*, *Phys. Rev. D* **84** (2011) 046009 [[arXiv:1106.1172](#)] [[INSPIRE](#)].
- [146] A.A. Belavin, M.A. Bershtein, B.L. Feigin, A.V. Litvinov and G.M. Tarnopolsky, *Instanton moduli spaces and bases in coset conformal field theory*, *Commun. Math. Phys.* **319** (2013) 269 [[arXiv:1111.2803](#)] [[INSPIRE](#)].
- [147] A.A. Belavin, M.A. Bershtein and G.M. Tarnopolsky, *Bases in coset conformal field theory from AGT correspondence and Macdonald polynomials at the roots of unity*, *JHEP* **03** (2013) 019 [[arXiv:1211.2788](#)] [[INSPIRE](#)].
- [148] H. Itoyama, T. Oota and R. Yoshioka, *2d-4d Connection between q -Virasoro/ W Block at Root of Unity Limit and Instanton Partition Function on ALE Space*, *Nucl. Phys. B* **877** (2013) 506 [[arXiv:1308.2068](#)] [[INSPIRE](#)].
- [149] H. Itoyama, T. Oota and R. Yoshioka, *q -Virasoro/ W Algebra at Root of Unity and Parafermions*, *Nucl. Phys. B* **889** (2014) 25 [[arXiv:1408.4216](#)] [[INSPIRE](#)].
- [150] M. Jimbo, *Topics from Representations of $U_q(g)$. An Introductory Guide to Physicists*, Nankai Lectures on Mathematical Physics, World Scientific, Singapore, (1992), pp. 1–61.

- [151] E. Mukhin, V. Tarasov and A. Varchenko, *Bispectral and $(\mathfrak{gl}_N, \mathfrak{gl}_M)$ Dualities*, [math/0510364](#).
- [152] E. Mukhin, V. Tarasov and A. Varchenko, *Bispectral and $(\mathfrak{gl}_N, \mathfrak{gl}_M)$ Dualities, Discrete Versus Differential*, *Adv. Math.* **218** (2008) 216 [[math/0605172](#)].
- [153] A. Mironov, A. Morozov, Y. Zenkevich and A. Zotov, *Spectral Duality in Integrable Systems from AGT Conjecture*, *JETP Lett.* **97** (2013) 45 [[arXiv:1204.0913](#)] [[INSPIRE](#)].
- [154] A. Mironov, A. Morozov, B. Runov, Y. Zenkevich and A. Zotov, *Spectral Duality Between Heisenberg Chain and Gaudin Model*, *Lett. Math. Phys.* **103** (2013) 299 [[arXiv:1206.6349](#)] [[INSPIRE](#)].
- [155] A. Mironov, A. Morozov, B. Runov, Y. Zenkevich and A. Zotov, *Spectral dualities in XXZ spin chains and five dimensional gauge theories*, *JHEP* **12** (2013) 034 [[arXiv:1307.1502](#)] [[INSPIRE](#)].
- [156] L. Bao, E. Pomoni, M. Taki and F. Yagi, *M5-Branes, Toric Diagrams and Gauge Theory Duality*, *JHEP* **04** (2012) 105 [[arXiv:1112.5228](#)] [[INSPIRE](#)].
- [157] M. Aganagic, N. Haouzi, C. Kozcaz and S. Shakirov, *Gauge/Liouville Triality*, [arXiv:1309.1687](#) [[INSPIRE](#)].
- [158] M. Aganagic, N. Haouzi and S. Shakirov, *A_n -Triality*, [arXiv:1403.3657](#) [[INSPIRE](#)].
- [159] M. Aganagic and N. Haouzi, *ADE Little String Theory on a Riemann Surface (and Triality)*, [arXiv:1506.04183](#) [[INSPIRE](#)].
- [160] N.A. Nekrasov and S.L. Shatashvili, *Quantization of Integrable Systems and Four Dimensional Gauge Theories*, in *Proceedings, 16th International Congress on Mathematical Physics (ICMP09): Prague, Czech Republic, August 3–8, 2009*, pp. 265–289, [arXiv:0908.4052](#) [[INSPIRE](#)].
- [161] A. Mironov and A. Morozov, *Nekrasov Functions and Exact Bohr-Zommerfeld Integrals*, *JHEP* **04** (2010) 040 [[arXiv:0910.5670](#)] [[INSPIRE](#)].
- [162] A. Mironov and A. Morozov, *Nekrasov Functions from Exact BS Periods: The Case of $SU(N)$* , *J. Phys. A* **43** (2010) 195401 [[arXiv:0911.2396](#)] [[INSPIRE](#)].
- [163] A. Marshakov, A. Mironov and A. Morozov, *On AGT Relations with Surface Operator Insertion and Stationary Limit of Beta-Ensembles*, *J. Geom. Phys.* **61** (2011) 1203 [[arXiv:1011.4491](#)] [[INSPIRE](#)].