



RESONANT STEP-DOWN DC-DC POWER CONVERTERS

Kovacevic, Milovan; Madsen, Mickey Pierre

Publication date:
2015

Document Version
Publisher's PDF, also known as Version of record

[Link back to DTU Orbit](#)

Citation (APA):
Kovacevic, M., & Madsen, M. P. (2015). RESONANT STEP-DOWN DC-DC POWER CONVERTERS. (Patent No. WO2015110427).

General rights

Copyright and moral rights for the publications made accessible in the public portal are retained by the authors and/or other copyright owners and it is a condition of accessing publications that users recognise and abide by the legal requirements associated with these rights.

- Users may download and print one copy of any publication from the public portal for the purpose of private study or research.
- You may not further distribute the material or use it for any profit-making activity or commercial gain
- You may freely distribute the URL identifying the publication in the public portal

If you believe that this document breaches copyright please contact us providing details, and we will remove access to the work immediately and investigate your claim.



- (51) **International Patent Classification:**
H02M 3/335 (2006.01)
- (21) **International Application Number:**
PCT/EP2015/051007
- (22) **International Filing Date:**
20 January 2015 (20.01.2015)
- (25) **Filing Language:** English
- (26) **Publication Language:** English
- (30) **Priority Data:**
14152070.0 22 January 2014 (22.01.2014) EP
- (71) **Applicant:** DANMARKS TEKNISKE UNIVERSITET [DK/DK]; Anker Engelundsvej 1, Bygning 101A, 2. sal, DK-2800 Kgs. Lyngby (DK).
- (72) **Inventors:** KOVACEVIC, Milovan; Aldershvilevej 8, 1., DK-2800 Kgs. Lyngby (DK). MADSEN, Mickey P; Kollegiebakken 15A, st. 63, DK-2800 Kgs. Lyngby (DK).
- (74) **Agent:** GUARDIAN IP CONSULTING I/S; Henrik Bagger Olsen, Diplomvej, Building 381, DK-2800 Kgs. Lyngby (DK).
- (81) **Designated States** (unless otherwise indicated, for every kind of national protection available): AE, AG, AL, AM,

AO, AT, AU, AZ, BA, BB, BG, BH, BN, BR, BW, BY, BZ, CA, CH, CL, CN, CO, CR, CU, CZ, DE, DK, DM, DO, DZ, EC, EE, EG, ES, FI, GB, GD, GE, GH, GM, GT, HN, HR, HU, ID, IL, IN, IR, IS, JP, KE, KG, KN, KP, KR, KZ, LA, LC, LK, LR, LS, LU, LY, MA, MD, ME, MG, MK, MN, MW, MX, MY, MZ, NA, NG, NI, NO, NZ, OM, PA, PE, PG, PH, PL, PT, QA, RO, RS, RU, RW, SA, SC, SD, SE, SG, SK, SL, SM, ST, SV, SY, TH, TJ, TM, TN, TR, TT, TZ, UA, UG, US, UZ, VC, VN, ZA, ZM, ZW.

(84) **Designated States** (unless otherwise indicated, for every kind of regional protection available): ARIPO (BW, GH, GM, KE, LR, LS, MW, MZ, NA, RW, SD, SL, ST, SZ, TZ, UG, ZM, ZW), Eurasian (AM, AZ, BY, KG, KZ, RU, TJ, TM), European (AL, AT, BE, BG, CH, CY, CZ, DE, DK, EE, ES, FI, FR, GB, GR, HR, HU, IE, IS, IT, LT, LU, LV, MC, MK, MT, NL, NO, PL, PT, RO, RS, SE, SI, SK, SM, TR), OAPI (BF, BJ, CF, CG, CI, CM, GA, GN, GQ, GW, KM, ML, MR, NE, SN, TD, TG).

Published:

- with international search report (Art. 21(3))
- before the expiration of the time limit for amending the claims and to be republished in the event of receipt of amendments (Rule 48.2(h))

(54) **Title:** RESONANT STEP-DOWN DC-DC POWER CONVERTERS

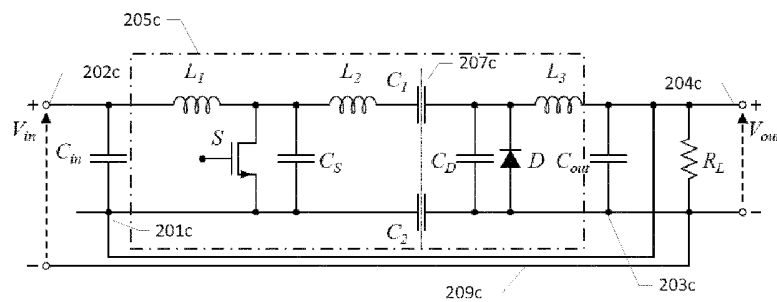


FIG .2B

(57) **Abstract:** The present invention relates to a resonant step-down DC-DC power converter which comprises a primary side circuit and a secondary side circuit coupled through a galvanic isolation barrier. The primary side circuit comprises a positive and a negative input terminal for receipt of an input voltage and an input capacitor coupled between the positive and negative input terminals and the secondary side circuit comprises an output capacitor chargeable to a converter output voltage between a first positive electrode and a second negative electrode. A resonant network is configured for alternately being charged from the input voltage and discharged to the output capacitor through the galvanic isolation barrier by a semiconductor switch arrangement in accordance with a switch control signal to produce the converter output voltage. The resonant step-down DC-DC power converter comprises an electrical short-circuit connection across the galvanic isolation barrier connecting, in a first case, the second negative electrode of the output capacitor to the positive input terminal of the primary side circuit or, in a second case, connecting the second positive electrode of the output capacitor to the negative input terminal of the primary side circuit thereby establishing in both the first and second cases a series coupling of the output capacitor and the input capacitor. A load connection is established, in the first case, between the first positive electrode of the output capacitor and the positive input terminal or, in the second case, between the second negative electrode of the output capacitor and the negative input terminal.



RESONANT STEP-DOWN DC-DC POWER CONVERTERS

The present invention relates to a resonant step-down DC-DC power converter which comprises a primary side circuit and a secondary side circuit coupled through a galvanic isolation barrier. The primary side circuit comprises a positive and a negative input terminal for receipt of an input voltage and an input capacitor coupled between the positive and negative input terminals and the secondary side circuit comprises an output capacitor chargeable to a converter output voltage between a first positive electrode and a second negative electrode. A resonant network is configured for alternately being charged from the input voltage and discharged to the output capacitor through the galvanic isolation barrier by a semiconductor switch arrangement in accordance with a switch control signal to produce the converter output voltage. The resonant step-down DC-DC power converter comprises an electrical short-circuit connection across the galvanic isolation barrier connecting, in a first case, the second negative electrode of the output capacitor to the positive input terminal of the primary side circuit or, in a second case, connecting the second positive electrode of the output capacitor to the negative input terminal of the primary side circuit thereby establishing in both the first and second cases a series coupling of the output capacitor and the input capacitor. A load connection is established, in the first case, between the first positive electrode of the output capacitor and the positive input terminal or, in the second case, between the second negative electrode of the output capacitor and the negative input terminal.

BACKGROUND OF THE INVENTION

Power density and component costs are key performance metrics of both isolated and non-isolated DC-DC power converters to provide the smallest possible physical size and/or lowest costs for a given output power requirement or specification. Resonant power converters are particularly useful for high switching frequencies such as frequencies above 1 MHz where switching losses of standard SMPS topologies (Buck, Boost etc.) tend to be unacceptable for conversion efficiency reasons. High switching frequencies are generally desirable because of the resulting decrease of the electrical and physical size of circuit components of the power converter like inductors and capacitors. The smaller components allow increase of the power density of the DC-DC power converter. In a resonant power converter an input "chopper" semiconductor switch (often MOSFET or IGBT) of the standard SMPS is re-

placed with a "resonant" semiconductor switch. The resonant semiconductor switch relies on resonances of circuit capacitances and inductances to shape the waveform of either the current or the voltage across the semiconductor switch such that, when state switching occurs in the semiconductor switch, there is essentially no current
5 through or essentially no voltage across the semiconductor switch. Hence power dissipation is largely eliminated in at least some of the intrinsic capacitances or inductances of the input semiconductor switch such that a marked increase of the switching frequency becomes feasible for example to values above 10 MHz. This concept is known in the art under designations like zero voltage and/or zero current
10 switching (ZVS and/or ZCS) operation. Commonly used switched mode power converters operating under ZVS and/or ZCS are often described as class E, class F or class DE inverters or power converters.

In view of the above, it remains a challenge to reduce the size and lower the component costs of both isolated and non-isolated DC-DC power converters. Hence,
15 novel resonant step-down DC-DC power converter topologies which reduce the required maximum voltage or power rating of active and passive components of the resonant DC-DC converter are highly desirable. Likewise, novel resonant step-down DC-DC power converter topologies which reduce the physical size or cost of active
20 and passive components for example inductors, capacitors, transistors and diodes are highly desirable.

SUMMARY OF THE INVENTION

A first aspect of the invention relates to a resonant step-down DC-DC power converter comprising a primary side circuit and a secondary side circuit coupled through
25 a galvanic isolation barrier; the primary side circuit comprises a positive input terminal and a negative input terminal for receipt of an input voltage. An input capacitor is coupled or connected between the positive and negative input terminals on the primary side circuit. The secondary side circuit comprising an output capacitor charge-
30 able to a converter output voltage between a first positive electrode and a second negative electrode of the output capacitor. The resonant step-down DC-DC power converter comprises a resonant network configured for alternatingly being charged from the input voltage and discharged to the output capacitor through the galvanic isolation barrier by a semiconductor switch arrangement in accordance with a switch

control signal to produce the converter output voltage, wherein a frequency of the switch control signal has a frequency at or above 20 MHz, more preferably at or above 30 MHz. An electrical short-circuit connection across the galvanic isolation barrier connects, in a first case, the second negative electrode of the output capacitor to the positive input terminal of the primary side circuit or, in a second case, connects the second positive electrode of the output capacitor to the negative input terminal of the primary side circuit thereby establishing in both the first and second cases a series coupling of the output capacitor and the input capacitor. A load connection of the resonant step-down DC-DC power converter exists or is established, in the first case, between the first positive electrode of the output capacitor and the positive input terminal or, in the second case, between the second negative electrode of the output capacitor and the negative input terminal.

The present invention is described in detail in the following with reference to specific implementations derived from isolated resonant DC-DC power converters of class E, class DE and SEPIC topologies. The skilled person will understand that the invention is equally applicable to other types of isolated resonant DC-DC power converters such as class ϕ_2 (EF_2) inverters and rectifiers and resonant boost, buck, LCC converters etc. In this context the term DC can refer to a slowly varying input voltage where the term "DC" applies to variations of the input voltage level which are slow compared to a switching frequency, i.e. the above-mentioned frequency of the switch control signal, of the resonant step-down DC-DC power converter. The input voltage may accordingly comprise a substantially constant DC input voltage or a rectified AC voltage comprising a DC voltage component and an AC voltage component at a frequency significantly lower, for example more than 100 times lower, than the switching frequency of the resonant step-down DC-DC power converter. In the latter case, the input voltage may be supplied by an output of a 50/60 Hz mains voltage rectifier connected to the positive and negative input terminals of the resonant step-down DC-DC power converter.

The secondary side circuit of the resonant step-down DC-DC power converter may comprise a rectification circuit coupled between the resonant network and the output capacitor to convert a resonant AC voltage waveform of the resonant circuit into a DC converter output voltage.

The semiconductor switch arrangement preferably comprises one or more individual semiconductor switches configured for zero-voltage-switching and/or zero-current-switching. The present resonant step-down DC-DC power converters can be operated at very high switching frequencies, i.e. at or above the 20 MHz or 30 MHz, because the zero-voltage-switching and/or zero-current-switching of the one or more individual controllable semiconductor switches facilitated by the resonant network effectively reduces switching power losses of the semiconductor switch arrangement. A switching frequency at or above 30 MHz is normally considered as VHF operation of the resonant step-down DC-DC power converter.

10

The semiconductor switch arrangement may comprise various ordinary switch topologies such as single switch topologies, half-bridge switch topologies or full-bridge switch topologies. The one or more individual controllable semiconductor switches of the semiconductor switch arrangement may comprise a MOSFET or IGBT such as a Gallium Nitride (GaN) or Silicon Carbide (SiC) transistor. A control terminal, e.g. a gate or base, of each of the controllable semiconductor switches may be coupled to, and driven by, the switch control signal to alternately force each of the controllable semiconductor switches between on-states and off-states. In the on-state an inductor of the resonant network may be charged with energy from the input voltage source and in the following off-state release stored energy to the output capacitor to charge the latter. The resonant network preferably comprises at least one inductor and at least one capacitor where one or both of these components may comprise parasitic inductances or capacitances of active components or passive components of the resonant step-down DC-DC power converter. The secondary side circuit of the resonant step-down DC-DC converter may comprise one or more passive and/or active rectifying element(s) such as a diode or transistor inserted in front of the converter load.

The electrical connection of an input voltage or power source, e.g. a DC voltage generator, to the present resonant step-down DC-DC power converter is in the first case made between the negative input terminal of the primary side circuit and the positive electrode of the output capacitor such that the input and output capacitors of the converter are connected in series between the positive and negative terminals of the input voltage or power source. Likewise, in the second case the input voltage or

30

power source is connected between the negative electrode of the output capacitor and the positive input terminal of the primary side circuit such that the input and output capacitors of the converter once again are connected in series between the positive and negative terminals of the input voltage or power source.

5 The skilled person will understand that the electrical short-circuit connection across the galvanic isolation barrier eliminates the galvanic isolation between the primary and secondary side circuits of the resonant step-down DC-DC converter by interconnecting the second, negative, electrode of the output capacitor and the positive input terminal in the first case or the first, positive, electrode of the output capacitor
10 and the negative input terminal in the second case. However, the electrical short-circuit connection provides numerous new benefits to the resonant step-down DC-DC converter as a whole and the lack of galvanic isolation is acceptable in numerous areas of applications where the converter circuit remains isolated from users such as retrofit LED bulbs and tubes. The series connection of the output and input
15 capacitors between the input voltage/power source terminals established by the electrical short-circuit connection has several advantageous effects. Input current flowing through the input capacitor to charge this to the input voltage is also forced to flow through the output capacitor and charges the output capacitor such that energy or power is transferred directly from the input/primary side to the out-
20 put/secondary side of the resonant step-down DC-DC converter. Hence, less power or energy needs to be transferred through the resonant network and the isolation barrier for a given output power of the converter as explained in further detail below with reference to the resonant step-down DC-DC converter embodiments of FIGS. 1A), 1B) and 1C). The reduced amount of power transferred to the secondary side
25 circuitry through the resonant network and isolation barrier reduces power losses of or in the resonant step-down DC-DC converter. This advantage is obtained because the direct energy or power transfer between the input and output capacitors of the converter leads to a lower power loss than the ordinary transfer of energy or power through the resonant network.

30

Furthermore, the reduced amount of power which needs to be transferred through the resonant step-down DC-DC converter leads to reduced power handling requirements for both passive and active components, e.g. semiconductors switches, capacitors, diodes etc., allowing less costly and physically smaller components to be

applied. A yet further significant advantage of the present resonant step-down DC-DC converter is that the primary side circuit is only subjected to the input voltage between the positive and negative input terminals of the primary side circuit instead of the entire converter input voltage supplied by the external input voltage or power source as in ordinary isolated DC-DC power converters. As described above, the input voltage or power source is connected either between the negative input terminal and the positive electrode of the output capacitor or, in the second case, between the negative electrode of the output capacitor and the positive input terminal of the primary side circuit in the present resonant step-down DC-DC converter. The reduced voltage levels in the primary side circuit of the resonant step-down DC-DC power converter reduce the required maximum voltage ratings of active and passive components therein such as semiconductor switch or switches, inductor(s), capacitors, diode(s) etc. The reduced maximum voltage rating leads to physically smaller and/or less costly active and passive components with increased life span.

The galvanic isolation barrier may comprise a transformer which comprises a pair of electro-magnetically or magnetically coupled inductors comprising a first inductor electrically connected to the primary side circuit and a second inductor electrically connected to the secondary side circuit. The first and second inductors could be discrete windings both wound around a common magnetic permeable structure to form an isolation transformer. In one alternative embodiment, the first and second inductors are arranged to be electro-magnetically coupled without a common magnetically permeable structure to form a coreless isolation transformer. In such a coreless isolation transformer, the first and second inductors may be integrated in a printed circuit board without intervening magnetic material. The printed circuit board could have the entire resonant step-down DC-DC power converter mounted thereon. The first and second inductors are preferably arranged such that a magnetic coupling factor, k , between the first and second inductors is larger than 0.25. The first and second inductors of the coreless isolation transformer may for example comprise first and second embedded coils, respectively, formed in one or more conductive layers of the printed circuit board as disclosed in the applicant's co-pending application No. PCT/EP2014/079037.

In yet another embodiment, the galvanic isolation barrier comprises a first capacitor coupled in series with the positive input terminal of the primary side circuit and the first positive electrode of the output capacitor and a second capacitor coupled in series with the negative input terminal of the primary side circuit and the second
5 negative electrode of the output capacitor. This embodiment is particularly advantageous in connection with the high switching frequency of the present resonant step-down DC-DC power converter where the power loss in the above-discussed common magnetic permeable structure of the transformer often will be unacceptable because of the accompanying decrease of power conversion efficiency of the reso-
10 nant power converter. The capacitor based galvanic isolation barrier becomes particularly advantageous as the capacitance of each of the first and second (isolation) capacitors can be small, such as less than 100 nF for example smaller than 1 nF such as about 100pF. Such isolation capacitors may be formed by SMD mounted ceramic capacitors with a very small footprint e.g. a footprint less than 2 cm² for ex-
15 ample a footprint down to or less than about 5 mm².

The high switching frequency of the present resonant step-down DC-DC power converter, i.e. at or above 20 MHz, also makes the capacitance of each of the input and output capacitors to be small compared to conventional non-resonant DC-DC power
20 converters operating below 1 MHz. Hence, neither the input capacitor nor the output capacitor needs to be an electrolytic capacitor which generally is plagued by relatively low reliability and short-life span instead the first and second isolation capacitors and/or the input and output capacitors of the present resonant step-down DC-DC power converter can be reliable, physically small and inexpensive. The skilled
25 person will understand that the input and output capacitors may be formed exclusively by parasitic capacitances associated with the primary side circuit and the secondary side circuit, respectively.

Another advantage of the high switching frequency of the present resonant step-
30 down DC-DC power converter, as set by the switch control signal, is a marked size decrease of an EMI filter that may be placed in front of the positive and negative input terminals of present converter. The size decrease of the EMI filter is possible because ripple voltage components on the input voltage induced by the switching activity of the present resonant power converter are located around the switching

frequency of converter, i.e. around or above 20 MHz, where the necessary filter components of the EMI filter can be physically small.

5 The skilled person will appreciate that a practical embodiment of the electrical short circuit connection will possess a finite DC resistance. An upper limit of this finite DC resistance will vary depending on input/output voltage and/or current requirements of the resonant step-down DC-DC power converter. The electrical short-circuit connection may possess a DC resistance of less than 1 k Ω , even more preferably less than 100 Ω , such as less than 10 Ω . In other embodiments, the electrical short circuit
10 connection may have a unidirectional resistance such that the DC resistance only falls below the above-mentioned upper limits in one direction and exhibits a much larger DC resistance in the opposite direction, i.e. a diode characteristic for example provided by a diode element or a controlled semiconductor switch such as a MOSFET.

15 One embodiment of the resonant step-down DC-DC power converter is based on a Class E converter and the resonant network comprises first and second series connected inductors which are connected in series with the positive input terminal. A semiconductor switch is arranged with a first switch node connected between a mid-
20 point node between the first and second series connected inductors and a second switch node connected to the negative input terminal of the primary side circuit. A control terminal of the semiconductor switch is connected to the switch control terminal. A rectifying or rectification circuit of the resonant step-down DC-DC power is connected between the first and second capacitors of the galvanic isolation barrier
25 and the first positive electrode and the second negative electrode of the output capacitor. The rectifying circuit may comprise a semiconductor diode or a synchronous semiconductor switch coupled, i.e. electrically connected, to a third inductor of the resonant step-down DC-DC power converter.

30 Another embodiment of the resonant step-down DC-DC power converter is based on a converter topology wherein the first and second inductors of the isolation transformer are integrated in the resonant network. The first inductor is arranged with a first inductor end connected to the positive input voltage terminal and a second inductor end connected to a first node of a semiconductor switch such as a drain ter-

terminal of a MOSFET switch. A second node of the semiconductor switch is connected to the negative input terminal of the primary side circuit. The second inductor comprises a first inductor end connected to the first capacitor of the isolation barrier and a second inductor end connected to the second capacitor of the isolation barrier. A rectifying circuit is connected across the second inductor between the first and second capacitors of the galvanic isolation barrier and the first positive electrode and the second negative electrode of the output capacitor.

One embodiment of the resonant step-down DC-DC power converter comprises a mode switching feature that is accompanied with several advantages such as increases a dynamic voltage operating range and/or improving a power factor (PF) of the resonant power converter as discussed in additional detail below with reference to the appended drawings. This embodiment of the resonant step-down DC-DC power converter further comprises:

a rectifying element, such as a diode or or a controlled semiconductor switch such as a MOSFET, configured to:

in the first case conduct current from the positive input terminal to the second negative electrode of the output capacitor in the second case, conduct current from the negative input terminal to the first positive electrode of the output capacitor; and a mode selecting semiconductor switch configured to selectively break and close an electrical connection between the negative input terminal and the second negative electrode of the output capacitor, such that:

in a first mode of the resonant step-down DC-DC power converter, establishing the series connection of the output capacitor and the input capacitor through the rectifying element and in a second mode of the resonant step-down DC-DC power converter, opening or breaking the series coupling of the output capacitor and the input capacitor.

The skilled person will appreciate that each of the present resonant step-down DC-DC power converters may be constructed by conversion of an isolated resonant DC-DC power converter with a corresponding topology as described in additional detail below with reference to FIGS. 2A) - 2B) FIGS. 3A) - 3B) and FIGS. 4A) - 4B).

Hence, a second aspect of the invention relates to a method of converting a resonant DC-DC power converter to a non-isolated/uninsulated resonant step-down DC-

DC power converter possessing higher power conversion efficiency or smaller power loss. The method comprising steps of:

- a) providing a primary side circuit and a secondary side circuit of the isolated DC-DC power converter,
- 5 b) optionally, coupling an input capacitor between a positive and a negative input terminal of the primary side circuit,
- c) optionally, coupling a positive electrode of an output capacitor to a positive output terminal of the secondary side circuit and coupling a negative electrode of the output capacitor to a negative output terminal of the secondary side circuit,
- 10 d) providing electrical, e.g. electromagnetic, coupling of the primary side circuit and the secondary side circuit through a galvanic isolation barrier,
- e) providing a resonant network configured for alternatingly being charged from an input voltage of the converter and discharged to the output capacitor through the galvanic isolation barrier in accordance with a switch control signal to produce a
15 converter output voltage,
- f) connecting, in a first case, an electrical short-circuit across the galvanic isolation barrier from the negative output terminal of the secondary side circuit to the positive input terminal of the primary side circuit or connecting, in a second case, the positive output terminal of the secondary side circuit to the negative input terminal of the
20 primary side circuit thereby establishing in both the first case and the second case a series coupling of the output capacitor and the input capacitor,
- g) coupling, in a first case, a power converter load between the positive terminal of the secondary side circuit and the positive input terminal or coupling, in the second case, the power converter load between the negative terminal of the secondary side
25 circuit and the negative input terminal of the primary side circuit.

As mentioned above, the coupling of the input capacitor under step b) and the coupling of the output capacitor under step c) are both optional because one or both of the input and output capacitors may be formed exclusively by parasitic capacitances
30 associated with the primary side circuit and the secondary side circuit, respectively.

The improved power conversion efficiency of the present resonant step-down DC-DC power converters is achieved because a smaller or larger amount of the output power delivered to the converter load may be transferred directly from the input volt-

age or power source and input capacitor of the input side circuit to the output capacitor of the secondary side circuit due to the series connection of the input and output capacitors between the input voltage or power source as explained above. Hence, a smaller amount of the output power has to be transferred through the resonant network and isolation barrier leading to lower power losses in the active and/or passive components thereof.

The method may comprise a further step of:

- h) in the first case, electrically connecting an input voltage source between the negative input terminal of the primary side circuit and the positive output terminal of the secondary side circuit, or
- i) in the second case, electrically connecting an input voltage source between the positive input terminal of the primary side circuit and the negative output terminal of the secondary side circuit.

The conversion of the resonant DC-DC power converter to the non-isolated resonant step-down DC-DC power converter may comprise certain further steps to add the previously discussed advantageous mode switching feature of the converted DC-DC power converter, i.e. the non-isolated resonant step-down DC-DC power converter. According to this embodiment of the conversion methodology the latter comprises further steps of:

- j) inserting a rectifying element in the electrical short-circuit connection,
- k) inserting a mode selecting semiconductor switch, in the first case, between the positive input terminal and the first positive electrode of the output capacitor and in second case between the negative input terminal and the second negative electrode of the output capacitor.

The skilled person will appreciate that each of the present resonant step-down DC-DC power converters may be constructed by conversion of a conventional or prior art isolated DC-DC power converter possessing a corresponding topology. The skilled person will appreciate that the conventional or prior art isolated DC-DC power converter may be step-up or boost converter delivering a higher output voltage than input voltage despite that the converted resonant step-down DC-DC power converter in accordance with the present invention delivers a lower output voltage than in-

put voltage due to the series connection of the input capacitor and output capacitor across the input voltage source.

A third aspect of the invention relates to a resonant step-down DC-DC power converter assembly comprising:

5 a resonant step-down DC-DC power converter according any of the above-described embodiments thereof,
a printed circuit board having at least the resonant network integrated thereon, wherein the galvanic isolation barrier comprises a pair of magnetically coupled in-

10 ductors comprising a first inductor electrically connected to the primary side circuit and a second inductor electrically connected to the secondary side circuit;
wherein the first and second inductors are formed by first and second electrical trace patterns, respectively, of the printed circuit board. The pair of magnetically coupled

15 inductors may be coupled to each other without any magnetic permeable core material since the latter may be difficult to integrate on a printed circuit board in an efficient manner. The resonant step-down DC-DC power converter according to the latter embodiment of the invention preferably comprises a resonant converter such as class E, class DE or SEPIC converter in accordance with the present invention.

20 The high frequency operation at or above 20 MHz makes the inductances of the first and second inductors sufficiently small to allow these to be integrally formed in the conductor pattern of the printed circuit board. Furthermore, the high switching frequency of the resonant VHF step-down DC-DC power converter as set by the frequency of the switch control signal provides a high magnetic coupling between the

25 first and second inductors despite lack of the magnetic permeable core material. The high switching frequency of the resonant power converter provides a high magnetic coupling, as discussed above, between the pair of magnetically coupled inductors despite the lack of the magnetic permeable core material. The high magnetic coupling reduces the otherwise significant energy losses that would be incurred in

30 the pair of magnetically coupled inductors of the galvanic isolation barrier if the resonant DC-DC power converter was operating at ordinary switching frequencies.

A fourth aspect of the invention relates to a LED light assembly, a charger assembly or a flat-screen display assembly, comprising:
a resonant step-down DC-DC power converter according any of the above-

described embodiments thereof mounted on a printed circuit board of the assembly, an AC mains voltage input connected to an input of a mains rectifier, an output of the mains rectifier connected, in the first case, between the first positive electrode of the output capacitor and the negative input terminal of the primary side circuit or connected, in the second case, between the negative input terminal of the primary side circuit and the negative electrode of the output capacitor to directly supply a rectified mains voltage to the resonant step-down DC-DC power converter in both cases.

10 The LED light assembly may be mounted in housing of a LED lamp or tube. The converter load may be formed by a plurality of LEDs coupled to the converter output voltage. The AC mains voltage may lie between 110 V and 240 V depending on the electricity system. The LED lamp application is helpful to illustrate the advantages of the present resonant step-down DC-DC power converter. In one exemplary embodiment, the plurality of LEDs may need a DC voltage of about 60 V and consume 10 W. A conventional isolated step-down DC-DC power converter in the LED light assembly connected directly to U.S. mains of 110 V would be required to handle a peak rectified input voltage of about 170 V on a primary side circuit. However, the primary side circuit of the present resonant step-down DC-DC power converter is only required to handle 170 V minus 60 V (i.e. the rectified input voltage minus the output voltage of converter) which is about 110 V. This reduction of DC voltage across the primary side circuit means that smaller and cheaper components such as semiconductor switches can be used. Furthermore, the conventional isolated step-down DC-DC power converter is required to transmit the required 10 W of power to the LEDs of the lamp while the present resonant step-down DC-DC power converter only needs to transmit or supply $110/200 * 10 \text{ W} = 5.5 \text{ W}$. The residual 4.5 W of output power to the LED load is supplied directly from the 110 V AC mains source to the output of the converter through the mains rectifier and input capacitor.

30 The skilled person will appreciate that the electrical short-circuit connection across the galvanic isolation barrier provides noteworthy benefits to the present resonant step-down DC-DC power converter for example a reduction of the input voltage across the primary side circuit. These benefits are due to a marked reduction of peak AC voltage across the semiconductor switch or switches of the resonant power

converters. This peak AC voltage is often about 3 times larger than the input voltage of the primary side circuit due to the resonant waveforms inside the resonant network of the resonant power converter. Furthermore, since resonant power converters rely on a resonant current, securing ZVS/ZCS operation of the semiconductor switch or switches, which scales linearly with the input voltage, the resistive power losses in components of the resonant network incurred by this resonating current scale quadratically with the resonant current. Hence, the total power loss in the resonant network scales quadratically with the input voltage. The advantages, in particular the increase of power conversion efficiency, derived from the reduction of the input voltage to the primary side circuit provided by resonant step-down DC-DC power converters in accordance with the present invention are therefore particularly pronounced for resonant converter topologies.

BRIEF DESCRIPTION OF THE DRAWINGS

- 15 Preferred embodiments of the invention will be described in more detail in connection with the appended drawings, in which:
- FIGS. 1A) and 1B) are simplified electrical circuit diagrams illustrating a resonant step-down DC-DC power converter in accordance with a first embodiment of the present the invention,
- 20 FIG. 1C) is a simplified electrical circuit diagram of a resonant step-down DC-DC power converter in accordance with a second embodiment of the present the invention,
- FIG. 1D) is a simplified electrical circuit diagram of a resonant step-down DC-DC power converter in accordance with a 3rd embodiment of the present the invention,
- 25 FIG. 1E) is a simplified electrical circuit diagram of a resonant step-down DC-DC power converter in accordance with a 4th embodiment of the present the invention,
- FIG. 1F) is simplified electrical circuit diagram of a first converter core that may be utilized in resonant step-down DC-DC power converter in accordance the present the invention,
- 30 FIG. 1G) is simplified electrical circuit diagram of a second converter core that may be utilized in resonant step-down DC-DC power converter in accordance the present the invention,
- FIG. 2A) is an electrical circuit diagram of a prior art isolated class E resonant DC-DC converter comprising a series resonant circuit,

FIG. 2B) is an electrical circuit diagram of a class E resonant step-down resonant DC-DC power converter comprising a series resonant circuit in accordance with a 7th embodiment of the invention,

FIG. 3A) is an electrical circuit diagram of a prior art transformer coupled isolated class E resonant DC-DC converter comprising a series resonant circuit,

FIG. 3B) is an electrical circuit diagram of a transformer coupled class E resonant step-down DC-DC power converter comprising a series resonant circuit in accordance with an 8th embodiment of the invention,

FIG. 4A) is an electrical circuit diagram of a prior art isolated SEPIC converter; and

FIG. 4B) is an electrical circuit diagram of a step-down SEPIC resonant DC-DC converter in accordance with a 9th embodiment of the invention.

DETAILED DESCRIPTION OF PREFERRED EMBODIMENTS

FIGS. 1A), 1B) and 1C) are simplified electrical circuit diagrams 100a, 100b, 100c illustrating basic operational features of two different embodiments of resonant step-down DC-DC power converters in accordance with the present invention. The first embodiment is illustrated on FIGS. 1A) and 1B) while the second embodiment is illustrated on FIG. 1C).

FIG. 1A) shows a resonant step-down DC-DC power converter 100b comprising a primary side circuit and a secondary side circuit connected through a galvanic isolation barrier 107b. The primary side circuit comprises a positive input terminal 102b and a negative input terminal 101b for receipt of a DC or AC input voltage V_{in} from an input voltage or power source (not shown). An input capacitor C_{in} is electrically connected between the positive input terminal 102b and a negative input terminal 101b to form an energy reservoir for the input power or input voltage source. The primary side circuit additionally comprises an input side 106b of a resonant network arranged in front of a galvanic isolation barrier 107. The secondary side circuit comprises an output capacitor C_{out} having a first electrode electrically connected to the converter output voltage V_{out} at output terminal 104b. A second electrode of the output capacitor C_{out} , situated at a lower voltage potential than the first electrode, is connected to the positive input terminal 102b on the input side circuit via an electrical short-circuit connection or wire 109b extending across the galvanic isolation barrier 107b. The output capacitor C_{out} and input capacitor C_{in} are connected in series

or cascade between the DC or AC input voltage V_{in} , i.e. between positive and negative terminals of the input voltage or power source coupled to the output terminal 104b and the negative input terminal 101b, respectively. The skilled person will understand that the presence of the electrical short-circuit connection 109b provides

5 the conversion from an ordinary resonant isolated DC-DC power converter to the present resonant step-down DC-DC power converter which lacks galvanic isolation between the input side circuit and the output side circuit. In this conversion process, the input voltage port of the original resonant isolated DC-DC power converter between the positive and negative terminals 102b, 101b (i.e. across C_{in}) is altered such

10 that the input voltage port, for receipt of the DC or AC input voltage V_{in} , of the present, converted, resonant step-down DC-DC power converter 100b is arranged either between the output terminal 104b and the negative input terminal 101b in the first case or in the second case between the positive input terminal 102c and the negative electrode 103c of the output capacitor C_{out} as illustrated on FIG. 1A) and

15 FIG. 1C), respectively. The resonant step-down DC-DC power converter embodiments 100b, 100c may comprise permanently connected electrical short-circuit connections or wires 109b, 109c to provide a single mode of operation of the resonant DC-DC power converter in question with fixed voltage step-down functionality. In alternative embodiments of the present DC-DC power converters, the coupling or

20 interconnection of the primary and secondary circuits of the power converters 100b, 100c through the electrical short-circuit connections 109b, 109c may be selectable or programmable such that each of the power converters 100b, 100c may possess two distinct and selectable modes of operation as discussed below in further detail with reference to FIGS. 1D) and 1E). The skilled person will understand that the

25 input and output capacitors C_{in} and C_{out} of the resonant step-down DC-DC power converter embodiments 100b, 100c may be formed exclusively by parasitic capacitances associated with the primary side circuit and the secondary side circuit, respectively.

30 An electrical load R_L of the step-down DC-DC converter 100b is coupled between the output terminal 104b and the positive input terminal 102b, which is across the output capacitor, such that these terminals form an output port of the DC-DC converter 100b. The primary side circuit comprises the previously discussed input side 106b of the resonant network of the step-down DC-DC converter 100b and the sec-

ondary side circuit comprises an output side 108b of the resonant network. The skilled person will appreciate that the resonant network may include numerous circuit topologies depending on the particular type of DC-DC converter in question. The resonant network preferably comprises at least one inductor for energy storage and release, but may alternatively exclusively comprise capacitors for energy storage. Generally, the resonant network is configured for alternatingly being charged from the input voltage V_{in} and discharged to the output capacitor C_{out} through the isolation barrier 107b in accordance with a switch control signal to produce the converter output voltage V_{out} . The primary side circuit preferably comprises at least one semiconductor switch, for example a MOSFET, which is switched between on-states and off-states by the switch control signal such that the input voltage is modulated in accordance with a switch control signal. The frequency of the switch control signal of the semiconductor switch arrangement which excites the resonant network may be at or above 30 MHz to form a so-called VHF type of step-down DC-DC power converter. The switch control signal may comprise a PWM modulated control signal. The primary side circuit may comprise an inductor that is charged with energy during an on-state of the least one semiconductor switch from the input capacitor C_{in} and/or the DC or AC input voltage V_{in} . The inductor of the primary side circuit may subsequently be discharged through the output side 108b of the resonant network and the output capacitor C_{out} in an off-state of the least one semiconductor switch. The secondary side circuit may comprise a diode based rectifier or a synchronous rectifier in front of the output capacitor to produce the converter output voltage V_{out} as a DC output voltage.

25 While the electrical short-circuit connection or wire 109b eliminates the galvanic isolation between the primary and secondary side circuits of the resonant step-down DC-DC converter 100b by interconnecting the second electrode of the output capacitor C_{out} and the positive input terminal 102b, it provides numerous new benefits to the DC-DC converter as a whole as illustrated with reference to FIG 1B). The series connection of the output and input capacitors C_{out} , C_{in} means that the primary side circuit only needs to withstand the converter output voltage V_{out} minus the input voltage across C_{in} instead of the entire DC or AC input voltage V_{in} delivered by the input voltage or power source which is the situation in the prior art isolated DC-DC converter topology. The reduced voltage across the primary side circuit reduces the

required maximum voltage rating of active and passive components therein leading to physically smaller and/or less costly active and passive components for example inductors, capacitors (including C_{in}), transistors and diodes etc. In addition, the life span of the latter components may increase by the smaller voltage stress. In the

5 input section 106b and output section 108b, the smaller amount of power to be transferred through the DC-DC converter 100b for supplying a given amount of power to the load R_L of the converter leads to reduced power requirements for active semiconductors switches allowing less costly and physically smaller semiconductors to be applied.

10

These beneficial reductions of the amount of power transferred through the resonant network 106b, 107b, 108b are achieved because the residual fraction of the output power supplied to the load R_L is transferred directly from the DC or AC input voltage source V_{in} to the output capacitor C_{out} during charging of the input capacitor C_{in} . This

15 power transfer mechanism is illustrated on FIG. 1B) by the first output current path $I_{convert}$ which shows how secondary side current charges the output capacitor C_{out} and delivers output power to the load R_L of the converter. The secondary side current comprises an AC component 113a and a DC component 113b such that the latter is dissipated in the load R_L . Hence, the secondary side current delivers output

20 power passing from the source of the DC or AC input voltage V_{in} and through the resonant network to the output side circuit in a conventional manner. However, the present DC-DC converter 100b also comprises a second output current path delivering current or power directly from the DC or AC input voltage source to the output capacitor C_{out} and the load R_L without passing through the power converter 100b.

25 This direct current comprises an AC current component delivered to the output capacitor C_{out} as illustrated by AC input current path 111a and a DC current component delivered to the load R_L as illustrated by DC input current path 111b. The AC current component 111a and the DC current component 111b of the input current path passes through the short-circuit connection 109b and through the positive and negative

30 inputs of the primary side circuit 106b such that the DC current component 111b of the direct current remains unprocessed by the converter. Hence, this DC current component is supplied directly to the load R_L without any noticeable power loss.

The skilled person will appreciate that a practical electrical short circuit connection

109b will possess a certain DC resistance and an upper limit for this DC resistance will vary depending on input/output voltage and/or current requirements of the converter 100b. The electrical short-circuit connection may possess a DC resistance of less than 1 k Ω , even more preferably less than 100 Ω , such as less than 10 Ω . In
5 other embodiments, the electrical short circuit connection 109b may have a unidirectional resistance such that the DC resistance only falls below the above-mentioned upper limits in one direction and exhibits a much larger DC resistance in the opposite direction, i.e. a diode characteristic.

10 In the alternative embodiment of the resonant step-down DC-DC converter topology illustrated on FIG. 1), the electrical short-circuit connection or wire 109c extending across the isolation barrier 107c is connecting the first positive electrode of the output capacitor C_{out} to the negative input terminal 101c of the primary side circuit. Thereby, a series coupling of the output capacitor C_{out} and the input capacitor C_{in}
15 from the input voltage V_{in} at the positive input terminal 102c to the negative electrode 103c of the output capacitor C_{out} is established. The negative electrode 101c of the output capacitor C_{out} is at a lower electric potential than the negative input terminal 101c. In this manner, the DC or AC input voltage V_{in} to the power converter 100c is once again applied across the series connected input and output capacitors
20 C_{in} and C_{out} . The converter load R_L is coupled between the output terminal 104c and the terminal 103c which also is across the output capacitor. Otherwise, circuit functions, electrical component characteristics and component values of this second embodiment of resonant power converter 100c may be identical to those of the first embodiment of the resonant power converter 100b.

25 FIG. 1D) is a simplified electrical circuit diagram of a resonant step-down DC-DC power converter 100d in accordance with a third embodiment of the present the invention. A converter core 105d of the resonant power converter 100d may be identical to the core 105b of the resonant power converter 100c discussed above in connection with FIG. 1A) and 1B). Hence, corresponding features of these different
30 power converter embodiments 100b, 100d have been provided with corresponding reference numerals/symbols to assist comparison. The present resonant power converter embodiment 100d comprises a mode selecting controllable semiconductor switch SW1 operating in conjunction with a rectifying element 111e such as a diode

or an active semiconductor diode such as a controllable semiconductor switch. The operation of the resonant step-down DC-DC power converter 100d corresponds to the operation of the resonant step-down DC-DC power converter 100e discussed in detail below.

5

FIG. 1E) shows a simplified electrical circuit diagram of a resonant step-down DC-DC power converter 100e in accordance with a 4th embodiment of the present the invention. A converter core 105e of the resonant power converter 100e may be identical to the core 105 of the resonant power converter 100c discussed above in connection with FIG. 1C). Hence, corresponding features of these different power converter embodiments 100c, 100e have been provided with corresponding reference numerals/symbols to assist comparison. The present resonant power converter embodiment 100e comprises a mode selecting controllable semiconductor switch SW1 operating in conjunction with a rectifying element 111e such as a diode or an active semiconductor diode such as a controllable semiconductor switch. The rectifying element 111e is inserted in a short-circuit connection or wire 109e which connects a negative input terminal 109e of the power converter to a first positive electrode of the output capacitor C_{out} . The latter short-circuit connection corresponds to the short circuit connection 109c of the previously discussed resonant power converter 100c. Hence, when the rectifying element 111e is forward biased the short-circuit wire 109e effectively places the output capacitor C_{out} and input capacitor C_{in} in series, albeit possibly with a minor diode voltage drop, between the input voltage V_{in} terminals 104e, 103e of the resonant power converter 100e. On the other hand, when the rectifying element 111e is reversely biased the series coupling of C_{out} and C_{in} through short-circuit wire 109e is broken or disconnected to break the electrical connection between the primary side circuit and the secondary side circuit of the resonant power converter 100e.

The mode selecting controllable semiconductor switch SW1 is coupled between the negative input terminal 101e and the second negative electrode of the output capacitor 103e and configured to selectively break and close the electrical connection between these terminals 101e, 103e. The switch SW1 may comprise one or more BJT(s), FET(s) MOSFET(s) or IGBT(s) such as a Gallium Nitride (GaN) or Silicon Carbide (SiC) transistor. SW1 may be switched between a conducting or ON state

and non-conducting or OFF state to connect and break, respectively, the electrical connection between terminals 101e, 103e by a suitable control voltage applied on a gate or base terminal of the switch SW1. A mode controlling circuit (not shown) integrated with or coupled to the present resonant power converter 100e may supply
5 this control voltage to SW1.

When the mode selecting controllable semiconductor switch SW1 is placed in the non-conducting or OFF state (as illustrated) the negative terminals of the C_{out} and C_{in} capacitors are disconnected and the rectifying element 111e forward biased.
10 Hence, the input and output capacitors C_{out} and C_{in} are series connected through the rectifying element 111e. The rectifying element 111e is forward biased because the DC or AC input voltage V_{in} is larger than the output voltage V_{out} allowing the previously discussed input current of the power converter to flow directly through C_{in} and into C_{out} to charge the output capacitor. Hence, the resonant power converter 100e
15 is placed in a first mode of operation where it largely functions as the resonant power converter 100c of FIG. 1C) discussed above, i.e. as a resonant step-down non-isolated DC-DC power converter. By placing the controllable semiconductor switch SW1 in the conducting or ON state, the present resonant power converter embodiment 100e is switched to the second mode of operation. In the second state of operation, the rectifying element 111e is reversely biased and hence non-conducting
20 due to the electrical connection between the negative capacitor terminals 101e, 103e. Hence, the above-discussed series connection (through the rectifying element 111e) of the input and output capacitors C_{out} and C_{in} in the first mode is broken or opened. In this second mode of operation of the the resonant power converter 100e,
25 it largely functions as an ordinary resonant DC-DC power converter albeit still without any galvanic isolation between the primary and secondary side circuits because of the presence of the rectifying element 111e.

The mode switching feature, i.e. from the first mode to the second mode or vice versa, of the present resonant power converter 100e is accompanied with several advantages. The mode switching feature may be used to dynamically switch the present resonant power converter 100e between the first and second modes during operation of the converter 100e by appropriate control of the control terminal of SW1. The dynamic mode switching feature increases the input voltage range of the
30

resonant power converter 100e. To illustrate these advantages consider an ordinary resonant DC-DC power converter designed for a DC input voltage range of 10 – 20 V and a DC output voltage range of 10 V. If this ordinary DC-DC power converter is converted or configured as the present resonant step-down DC-DC power converter, the DC input voltage range may be increased to 10 - 30 V by utilizing both the first mode and second mode of the resonant step-down DC-DC power converter during operation of the converter. Hence, the resonant step-down DC-DC power converter is switched dynamically between the first and second modes of operation in accordance with the input voltage waveform. The increase of DC input voltage range achieved by the dynamic mode switching feature is particular advantageous because resonant power converters generally suffer from a restricted or narrow DC input voltage range compared to non-resonant DC-DC power converters. Another advantage of the dynamic mode switching feature is an improved power factor (PF) of the resonant power converter 100e. The power factor of a switched mode power converter or supply is an important performance metric in numerous applications such as LED lamps where regulatory requirements for minimum power factor, such as larger than 0.9, may exist. The improved PF is achieved by the dynamic mode switching feature because this feature allows the converter to track AC variations of the input voltage to the converter such as the AC variations in the waveform of a rectified 50/60 Hz mains voltage.

The flow of input current in the resonant step-down DC-DC power converter 100e in the first and second modes of operation is illustrated by a first DC input current path 111b1 and a second DC input current path 111b2. When the first mode of operation of the converter 100e is selected, i.e. the step-down functionality, the input current flows through the first DC input current path 111b1 where DC input current flows through the diode 111e and through the converter load R_L . When the second mode of operation of the converter 100e is selected, i.e. SW1 is conducting and ordinary conversion functionality, the input current flows through the second DC input current path 111b2 where the diode 111e is blocking and the DC input current flows through SW1 to the negative rail or terminal 103d of the converter without passing through the converter load.

FIG. 1F) is a simplified electrical circuit diagram of a first converter core 105f that may be utilized as converter core 105b, 105c, 105d, 105e of each of the step-down DC-DC power converter embodiments 100b, 100c, 100d, 100e, illustrated on FIGS. 1A), 1B), 1C), 1D) and 1E), respectively. The first converter core 105f comprises a plurality of separate resonant DC-DC power converter cores 110f. Each of the separate resonant DC-DC power converter cores 110f comprises an input side 111 of a resonant network coupled to an output side 113 of the resonant network through a galvanic isolation barrier 107f. The input sides 111 of the resonant DC-DC power converter cores 110e may be connected in parallel or series. The output sides 113 of the resonant DC-DC power converter cores 110f may likewise be connected in parallel or series. The parallelization of the plurality of input sides 111 and/or the parallelization of the one or more output sides 113 increases the power rating of a step-up DC-DC power converter utilizing the first converter core 105f. The skilled person will understand that each of the separate resonant DC-DC power converter cores 110f may comprise one of the prior art resonant DC-DC power converter cores discussed below with reference to FIGS. 2, 3 and 4.

FIG. 1G) is simplified electrical circuit diagram of a second converter core 105g that may be utilized as converter core 105b, 105c, 105d, 105e of each of the step-down DC-DC power converter embodiments 100b, 100c, 100d, 100e illustrated on FIGS. 1A), 1B), 1C), 1D) and 1E), respectively. The second converter core 105g comprises a plurality of separate resonant power inverters 114g. Each of the separate resonant power inverter cores 114g comprises an input side 115 of a resonant network coupled to one or more rectifier(s) 117 of the resonant DC-DC power converter core 105g through a galvanic isolation barrier 107g. The separate resonant power inverter cores 114g may be connected in parallel or series. Likewise, the respective output side of the one or more rectifier(s) 117 may also be connected in series or parallel. However, galvanic isolation may be inserted between the one or more rectifier(s) 117 if these are coupled in series.

FIG. 2A) shows an electrical circuit diagram of a prior art isolated class E resonant DC-DC converter 200 comprising a series resonant network or circuit including inductor L_2 and capacitor C_1 . The prior art class E resonant converter comprises a primary side circuit and a secondary side circuit connected through a galvanic isola-

tion barrier 207. The primary side circuit comprises a positive input terminal 202 and a negative input terminal 201 for receipt of a DC or AC input voltage V_{in} from a voltage or power source (not shown). An input capacitor C_{in} is electrically connected between the positive input terminal 202b and a negative input terminal 201 to form an energy reservoir for the voltage source. A converter core 205 comprises a resonant network which includes first and second series connected inductors L_1 and L_2 and a semiconductor switch arrangement comprising a MOSFET switch S (or another suitable type of semiconductor switch) with a drain terminal connected to a midpoint node between the L_1 and L_2 . The primary side circuit is arranged in front of an isolation barrier 207 formed by coupling capacitors C_1 and C_2 . The secondary side circuit comprises an output capacitor C_{out} having a first electrode electrically connected to the converter output voltage V_{out} at output terminal 204. A second negative electrode of the output capacitor C_{out} is coupled to a negative terminal 203 of the converter output voltage. A load of the isolated class E resonant DC-DC converter 200 is schematically illustrated by load resistor R_L and coupled between the positive and negative output terminals 204, 203.

FIG. 2B) is an electrical circuit diagram of a class E resonant step-down DC-DC power converter 200c comprising a series resonant circuit in accordance with a 7th embodiment of the invention. The class E resonant step-down DC-DC power converter 200b may be obtained by conversion of the above-mentioned prior art isolated class E resonant DC-DC converter 200 by inserting or adding an electrical short circuit connection 209c extending across a galvanic isolation barrier 207c of the converter 200c. The galvanic isolation barrier 207c comprises series capacitors C_1 and C_2 . The electrical short circuit connection 209c electrically connects the negative input terminal 201c and the first positive electrode 204c of the output capacitor C_{out} . The first positive electrode 204c is also connected to the converter output voltage V_{out} . As discussed in connection with FIG. 1C), the electrical short-circuit connection or wire 209c effectively places the output capacitor C_{out} and input capacitor C_{in} in series or cascade across the DC or AC input voltage V_{in} . Hence, the converter load, schematically illustrated by the load resistor R_L , is coupled in parallel across the output capacitor C_{out} . The skilled person will understand that the series capacitor C_2 of the galvanic isolation barrier 207c prevents DC current from flowing from the second negative electrode 203b of the output capacitor C_{out} and back to the negative input

terminal 201c. In this manner, the DC current is directed or forced through the electrical short circuit connection 209b and back through the input capacitor C_{in} . In this manner, despite being electrically by-passed by the conversion, the isolation barrier 207c is important for the operation of the present class E resonant step-down DC-
5 DC power converter 200c as otherwise would nodes 201c and 203c and 204c be directly electrically connected causing a short circuit at the converter input.

The series resonant network of the converter core 205c of the converter 200c may, in addition to the above-discussed first and second series connected inductors L_1
10 and L_2 , comprise a capacitor (C_S) arranged across drain and source terminals of the MOSFET switch S to increase a resonant current and/or adjust/fine-tune a resonance frequency of the power converter 200c. Likewise, a yet further capacitor C_D may be arranged across the rectifying diode D to adjust a duty cycle of the secondary part of the power converter 200c, i.e. the class E rectifier. During operation of
15 the converter 200c, the series resonant network is excited by the MOSFET switch S such that the series resonant network is alternately charged from the DC or AC input voltage V_{in} and discharged to the output capacitor C_{out} through the galvanic isolation barrier 207c and through a rectification circuit comprising inductance L_3 and diode D.

20
FIG. 3A) is an electrical circuit diagram of a prior art transformer isolated class E resonant DC-DC converter 300 comprising a series resonant circuit. A converter core 305 of the converter 300 comprises a series resonant circuit which at least inductors L_2 , L_3 and capacitors C_S and C_1 . The prior art DC-DC converter 300 comprises a primary side circuit and a secondary side circuit connected through a galvanic isolation barrier 307 provided by the transformer 308. The primary side circuit comprises a positive input terminal 302 and a negative input terminal 301 for receipt of a DC or AC input voltage V_{in} from a voltage or power source (not shown). An input capacitor C_{in} is electrically connected between the positive input terminal 302
25 and a negative input terminal 301 to form an energy reservoir for the input voltage source. The primary side circuit additionally comprises a portion of a series resonant network or circuit which at least comprises inductors L_2 and capacitors C_S and C_1 . A first inductor L_1 has a first end coupled to the positive input terminal 302 and a second end to a drain terminal of a MOSFET switch S which forms a switch arrange-
30

ment of the present power converter 300. A secondary side circuit of the power converter 300 comprises an output capacitor C_{out} having a first electrode electrically connected to the converter output voltage V_{out} at output terminal 304. A second negative electrode of the output capacitor C_{out} is coupled to a negative terminal 303 of the converter output voltage. An electrical or power converter load is schematically illustrated by load resistor R_L and coupled between the positive and negative output terminals 304, 303 of the prior art DC-DC converter 300. The secondary side circuit furthermore comprises the third inductor L_3 connected across a secondary transformer winding of the above-mentioned transformer 308. The secondary transformer winding has a first end coupled to a cathode of rectifying diode D and a second end coupled to the positive electrode of the output capacitor C_{out} . The rectifying diode D rectifies AC current generated by the secondary transformer winding and generates a DC voltage as the converter output voltage between the positive and negative output terminals 304, 303. An electrical or power converter load is schematically illustrated by load resistor R_L coupled between the positive and negative output terminals 304, 303.

FIG. 3B) is an electrical circuit diagram of a transformer coupled class E resonant step-down DC-DC power converter 300c in accordance with an 8th embodiment of the invention. The step-down DC-DC power converter 300c may be obtained by conversion of the above-mentioned prior art resonant isolated DC-DC converter 300 by inserting or adding an electrical short circuit connection 309c extending across a galvanic isolation barrier formed by the transformer 308b. The transformer 308b comprises magnetically coupled primary and secondary transformer windings with the polarity inversion indicated by the black dots at the top of the windings. A converter core 305c of the converter 300 comprises a series resonant network or circuit which at least comprises inductors L_2 , L_3 and capacitors C_S and C_1 . During operation of the converter 300c, the series resonant network is excited by the MOSFET switch S such that the series resonant network is alternately charged from the DC or AC input voltage V_{in} and discharged to the output capacitor C_{out} through the galvanic isolation barrier 307c and through a rectification circuit comprising diode D.

The electrical short circuit connection 309c connects the negative input terminal 302b of the primary side circuit and the first positive electrode 304c of the output capacitor C_{out} where the latter electrode also supplies the converter output voltage. As discussed in connection with FIGS. 1C), the electrical short-circuit connection or wire 309c effectively places the output capacitor C_{out} and input capacitor C_{in} in series or cascade across the positive and negative connections to the DC or AC input voltage V_{in} . Hence, the converter load, schematically illustrated by the load resistor R_L , is coupled between the converter output voltage across the positive and negative electrodes of the output capacitor C_{out} . The skilled person will understand that the transformer coupling prevents DC current from flowing from the second negative electrode 303c of the output capacitor C_{out} and back to the negative input terminal 301c of the primary side circuit.

FIG. 4A) is an electrical circuit diagram of a prior art isolated single-ended primary-inductor converter (SEPIC) 400. The prior art SEPIC 400 comprises a primary side circuit and a secondary side circuit connected through a galvanic isolation barrier 407. The primary side circuit comprises a positive input terminal 402 and a negative input terminal 401 for receipt of a DC or AC input voltage V_{in} from a voltage or power source (not shown). An input capacitor C_{in} is electrically connected between the positive input terminal 402 and a negative input terminal 401 to form an energy reservoir for the input voltage source. A converter core 405 of the converter 400 comprises a series resonant circuit which includes a first inductor L_1 having first node coupled to the DC or AC input voltage V_{in} and a second node coupled to a drain terminal of a MOSFET switch S. A source terminal of a MOSFET switch S of a switch arrangement is coupled to the negative input terminal 401. The prior art SEPIC 400 is a resonant type of power converter wherein a resonance frequency of the converter is determined by the resonant network of the converter core 405 comprising the first and second inductors L_1 , L_2 and the capacitors C_S and C_D . The primary side circuit is arranged in front of a galvanic isolation barrier 407 within the converter core 405 and formed by coupling capacitors C_1 and C_2 . The secondary side circuit comprises an output capacitor C_{out} having a first electrode electrically connected to the converter output voltage V_{out} at a positive output terminal 404. A second negative electrode of the output capacitor C_{out} is coupled to a negative terminal 403 of the converter output voltage. A rectifying diode D rectifies AC current generated by a second inductor

L_2 and charges the output capacitor C_{out} such that the converter output voltage V_{out} between the positive and negative output terminals 404, 403 is a DC voltage. A converter load of the SEPIC 400, illustrated by load resistor R_L , is coupled between the positive and negative output terminals 404, 403.

5

FIG. 4B) is an electrical circuit diagram of a SEPIC 400c in accordance with a 9th embodiment of the invention. The SEPIC 400c may be obtained by conversion of the above-mentioned prior art SEPIC 400 by inserting or adding an electrical short circuit connection 409c extending across a galvanic isolation barrier 407c of the SEPIC 400c. The galvanic isolation barrier 407c comprises series capacitors C_1 and C_2 which prevent the flow of DC current between the secondary side circuit and the primary side circuit in the isolated SEPIC 400 discussed above. In the present SEPIC 400c, the electrical short circuit connection 409c electrically connects the negative input terminal 401c and the positive electrode 404c of the output capacitor C_{out} . As discussed in connection with FIGS. 1A) and 1B), the electrical short-circuit connection or wire 409c effectively places the output capacitor C_{out} and input capacitor C_{in} in series or cascade across the positive and negative connections to the DC or AC input voltage V_{in} such that the galvanic isolation between the primary and secondary side circuits is bypassed or eliminated. The electrical or power converter load, schematically illustrated by the load resistor R_L , is coupled between the converter output voltage V_{out} at the output terminal 404c and the negative electrode 403c of the output capacitor. The skilled person will understand that the series capacitor C_2 of the galvanic isolation barrier 407b prevents DC current from flowing from the second negative electrode 403b of the output capacitor C_{out} and directly back to the negative input terminal 401b of the primary side circuit. The SEPIC 400c comprises a converter core 405c comprising a resonant network as discussed above comprising first and second inductors L_1 , L_2 and capacitors C_S and C_D . During operation of the converter 400c, the series resonant network is excited by the MOSFET switch S such that the series resonant network is alternately charged from the DC or AC input voltage V_{in} and discharged to the output capacitor C_{out} through the galvanic isolation barrier 407c and through a rectification circuit comprising a rectifying diode D . The capacitor C_S connected or arranged across drain and source terminals of the MOSFET switch S is optional, but may be helpful to increase a resonant current and/or adjust/fine-tune a resonance frequency of the resonant network SEPIC

10
15
20
25
30

400c. In some embodiments of the SEPIC 400c the capacitor C_S may be formed exclusively by a parasitic capacitance of the MOSFET S. The optional capacitor C_D may be arranged across the rectifying diode D to adjust a duty cycle of the power converter 400c.

CLAIMS

1. A resonant step-down DC-DC power converter comprising:
a primary side circuit and a secondary side circuit coupled through a galvanic isolation barrier,
5 the primary side circuit comprising a positive input terminal and a negative input terminal for receipt of an input voltage and an input capacitor coupled between the positive and negative input terminals,
the secondary side circuit comprising an output capacitor chargeable to a converter
10 output voltage between a first positive electrode and a second negative electrode of the output capacitor,
a resonant network configured for alternately being charged from the input voltage and discharged to the output capacitor through the galvanic isolation barrier by a semiconductor switch arrangement in accordance with a switch control signal to
15 produce the converter output voltage, wherein a frequency of the switch control signal has a frequency at or above 20 MHz,
an electrical short-circuit connection across the galvanic isolation barrier connecting, in a first case, the second negative electrode of the output capacitor to the positive input terminal of the primary side circuit or, in a second case, connecting the second
20 positive electrode of the output capacitor to the negative input terminal of the primary side circuit thereby establishing in both the first and second cases a series coupling of the output capacitor and the input capacitor,
a load connection, in the first case, between the first positive electrode of the output capacitor and the positive input terminal or, in the second case, between the second
25 negative electrode of the output capacitor and the negative input terminal.
2. A resonant step-down DC-DC power converter according to claim 1, wherein the galvanic isolation barrier comprises:
a pair of magnetically coupled inductors comprising a first inductor electrically connected to the primary side circuit and a second inductor electrically connected to the
30 secondary side circuit.

3. A resonant step-down DC-DC power converter according to claim 2, wherein the first and second inductors are wound around a common magnetically permeable structure to form an isolation transformer.
- 5 4. A resonant step-down DC-DC power converter according to claim 2, wherein the first and second inductors are arranged to be magnetically coupled without a common magnetically permeable structure to form a coreless isolation transformer.
- 10 5. A resonant step-down DC-DC power converter according to claim 4, wherein the first and second inductors comprises first and second embedded coils, respectively, formed in one or more conductive layers of a printed circuit board.
- 15 6. A resonant step-down DC-DC power converter according to claim 4 or 5, wherein a magnetic coupling factor, k , between the first and second inductors is larger than 0.25.
- 20 7. A resonant step-down DC-DC power converter according to claim 1, wherein the galvanic isolation barrier comprises:
a first capacitor coupled in series with the positive input terminal of the primary side circuit and the first positive electrode of the output capacitor; and
a second capacitor coupled in series with the negative input terminal of the primary side circuit and the second negative electrode of the output capacitor;
- 25 8. A resonant step-down DC-DC power converter according to claim 7, wherein a capacitance of each of the first and second capacitors is smaller than 100 nF.
- 30 9. A resonant step-down DC-DC power converter according to any of the preceding claims, wherein a DC resistance of the electrical short-circuit connection is less than 1 k Ω .
10. A resonant step-down DC-DC power converter according to any of the preceding claims, wherein the resonant network comprises:
first and second series connected inductors connected in series with the positive input voltage terminal,

- a semiconductor switch having a first switch node connected between a mid-point node between the first and second series connected inductors, a second switch node connected to the negative input terminal of the primary side circuit and a control terminal connected to the switch control terminal; and
- 5 a rectifying circuit connected between the first and second capacitors of the galvanic isolation barrier and the first positive electrode and the second negative electrode of the output capacitor.
11. A resonant step-down DC-DC power converter according to any of the preceding
- 10 claims, wherein the semiconductor switch arrangement comprises one or more controllable semiconductor switches.
12. A resonant step-down DC-DC power converter according to claim 11, wherein
- 15 the one or more controllable semiconductor switches are configured for zero-voltage-switching and/or zero-current-switching.
13. A resonant step-down DC-DC power converter according to any of the preceding
- claims further comprising:
- a rectifying element such as a diode configured to:
- 20 in the first case conduct current from the positive input terminal to the second negative electrode of the output capacitor in the second case, conduct current from the negative input terminal to the first positive electrode of the output capacitor; and
- a mode selecting semiconductor switch configured to, in the first case, selectively
- 25 break and close an electrical connection between the positive input terminal and the first positive electrode of the output capacitor and in second case selectively break
- and close an electrical connection between the negative input terminal and the second negative electrode of the output capacitor, such that:
- in a first mode of the resonant step-down DC-DC power converter, establishing the
- series connection of the output capacitor and the input capacitor through the rectify-
- 30 ing element; and
- in a second mode of the resonant step-down DC-DC power converter, opening or breaking the series coupling of the output capacitor and the input capacitor.

14. A method of converting a resonant isolated DC-DC power converter having a switching frequency at or above 20 MHz to a resonant non-isolated step-down DC-DC power converter possessing higher power conversion efficiency, said method comprising steps of:

- 5 a) providing a primary side circuit and a secondary side circuit of the isolated DC-DC power converter,
b) optionally, coupling an input capacitor between a positive and a negative input terminal of the primary side circuit,
c) optionally, coupling a positive electrode of an output capacitor to a positive output
10 terminal of the secondary side circuit and coupling a negative electrode of the output capacitor to a negative output terminal of the secondary side circuit,
d) providing electrical coupling of the primary side circuit and the secondary side circuit through a galvanic isolation barrier,
e) providing a resonant network configured for alternatingly being charged from an
15 input voltage of the converter and discharged to the output capacitor through the galvanic isolation barrier in accordance with a switch control signal to produce a converter output voltage,
f) connecting, in a first case, an electrical short-circuit across the galvanic isolation barrier from the negative output terminal of the secondary side circuit to the positive
20 input terminal of the primary side circuit or connecting, in a second case, the positive output terminal of the secondary side circuit to the negative input terminal of the primary side circuit thereby establishing in both the first case and the second case a series coupling of the output capacitor and the input capacitor,
g) coupling, in a first case, a power converter load between the positive terminal of
25 the secondary side circuit and the positive input terminal or coupling, in the second case, the power converter load between the negative terminal of the secondary side circuit and the negative input terminal of the primary side circuit.

15. A method of converting an isolated DC-DC power converter according to claim
30 14, comprising a further step of:
h) in the first case, electrically connecting an input voltage source between the negative input terminal of the primary side circuit and the positive output terminal of the secondary side circuit, or

i) in the second case, electrically connecting an input voltage source between the positive input terminal of the primary side circuit and the negative output terminal of the secondary side circuit.

5 16. A method of converting an isolated DC-DC power converter according to claim 14 or 15, comprising further steps of:

j) inserting a rectifying element in the electrical short-circuit connection,

k) inserting a mode selecting semiconductor switch, in the first case, between the positive input terminal and the first positive electrode of the output capacitor and in
10 second case between the negative input terminal and the second negative electrode of the output capacitor.

17. A step-down DC-DC power converter assembly comprising:

a resonant step-down DC-DC power converter according any of claims 1-13,

15 a printed circuit board having at least the resonant network mounted thereon,

a pair of magnetically coupled inductors comprising a first inductor electrically connected to the primary side circuit and a second inductor electrically connected to the secondary side circuit;

20 wherein the first and second inductors are formed by first and second electrical trace patterns, respectively, of the printed circuit board.

18. A LED light assembly comprising:

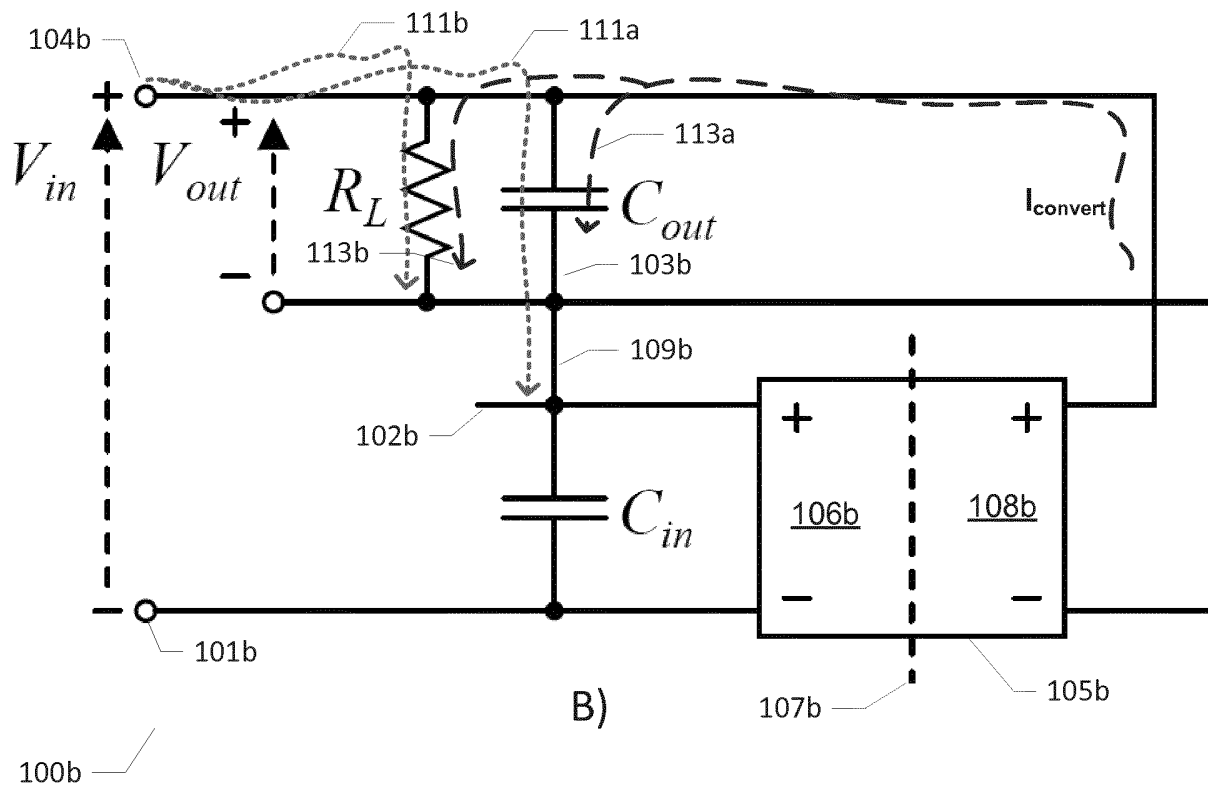
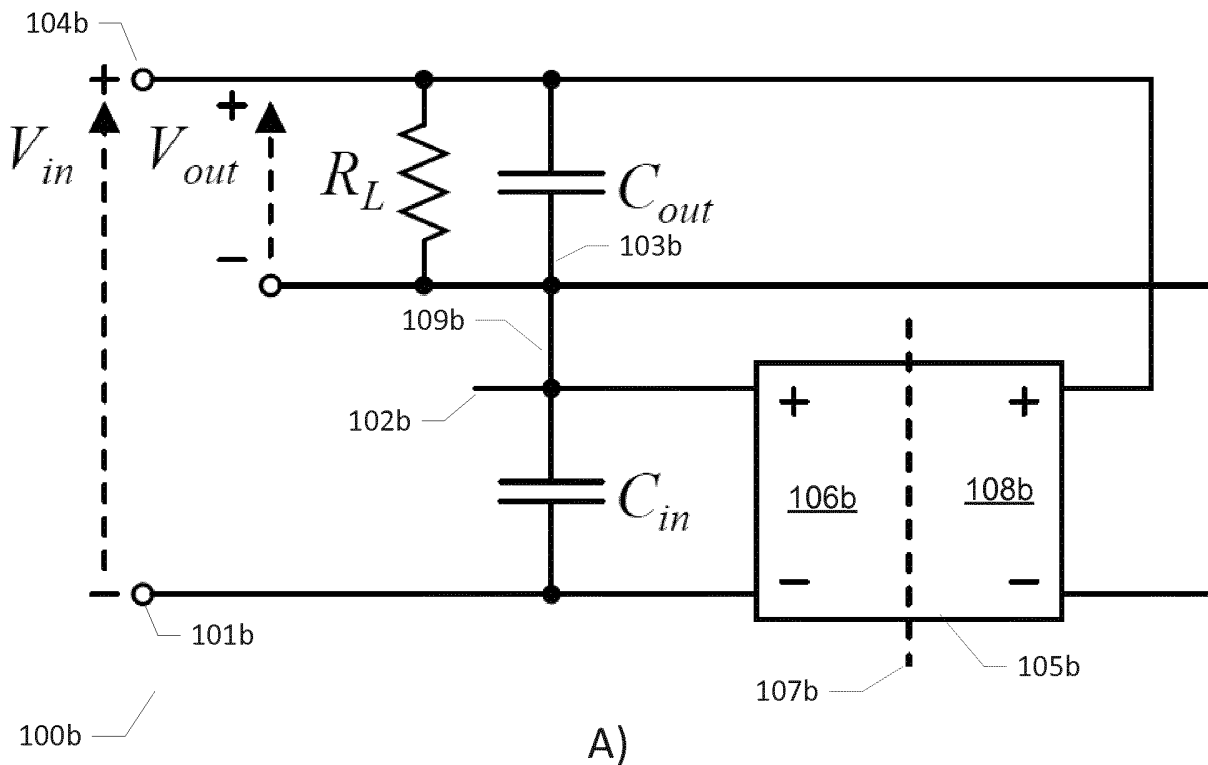
a resonant step-down DC-DC power converter according any of claims 1-13 mounted on a printed circuit board of the assembly,

25 an AC mains voltage input connected to an input of a mains rectifier,

an output of the mains rectifier connected, in the first case, between the first positive electrode of the output capacitor and the negative input terminal or connected, in the second case, between the negative input terminal and the negative electrode of the output capacitor to supply a rectified mains voltage to the resonant step-down DC-

30 DC power converter in both cases.

19. A LED lamp comprising a LED light assembly according to claim 18.



FIGS. 1A), 1B)

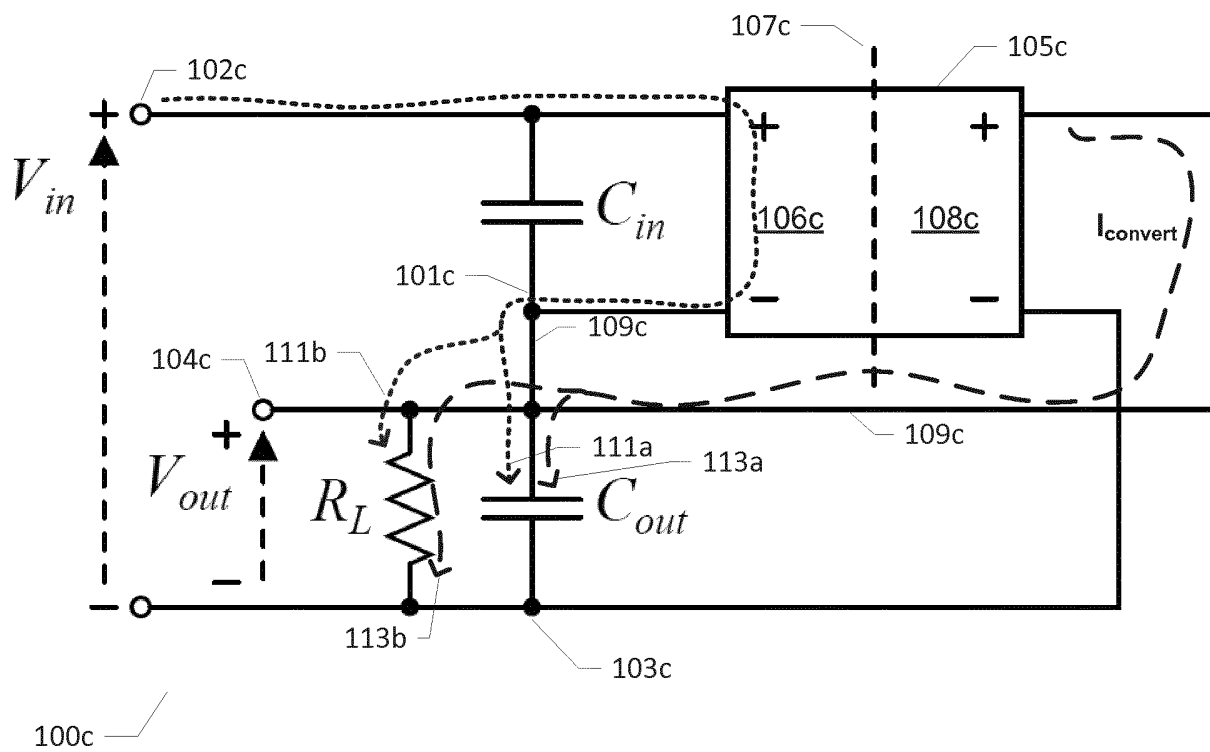
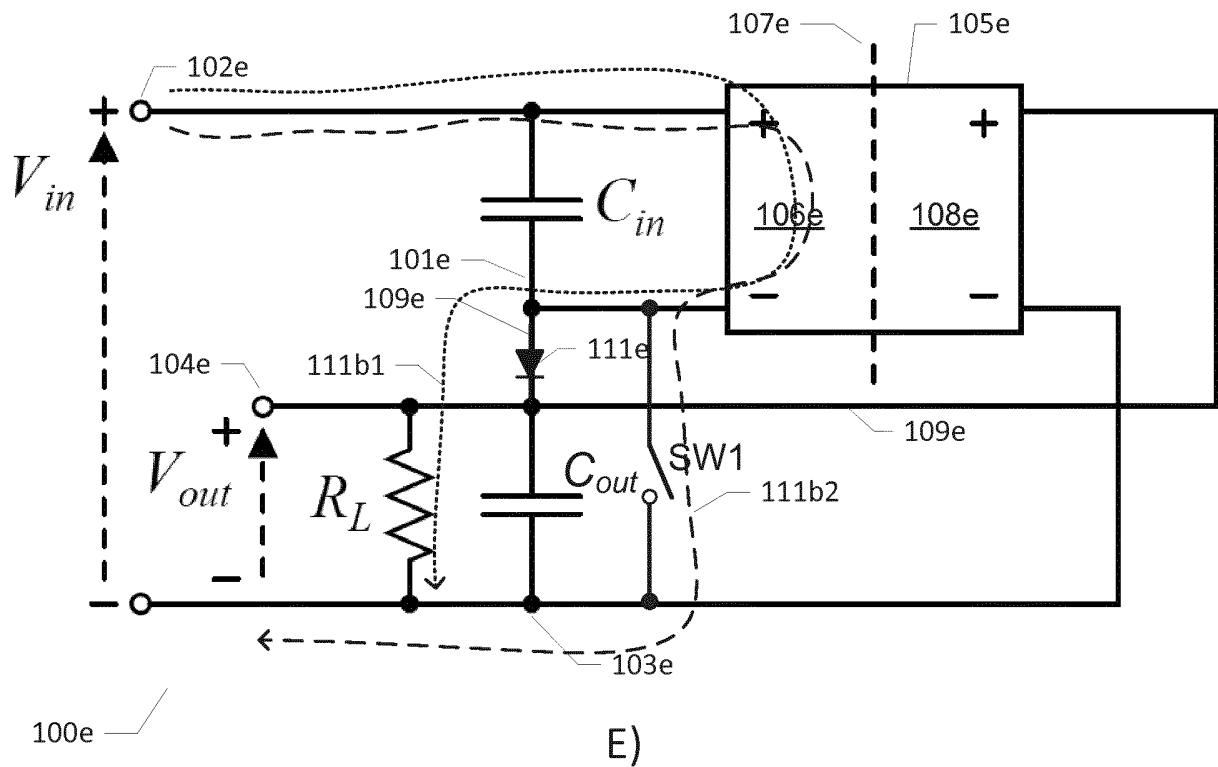
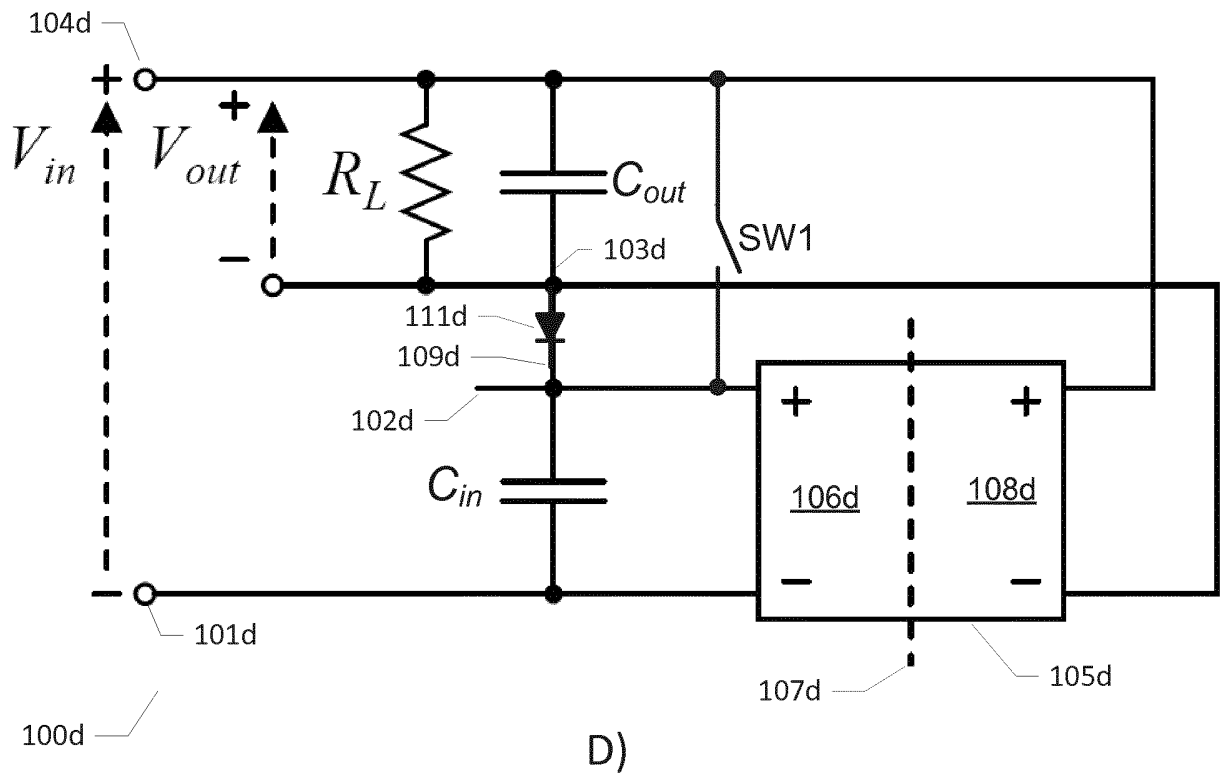
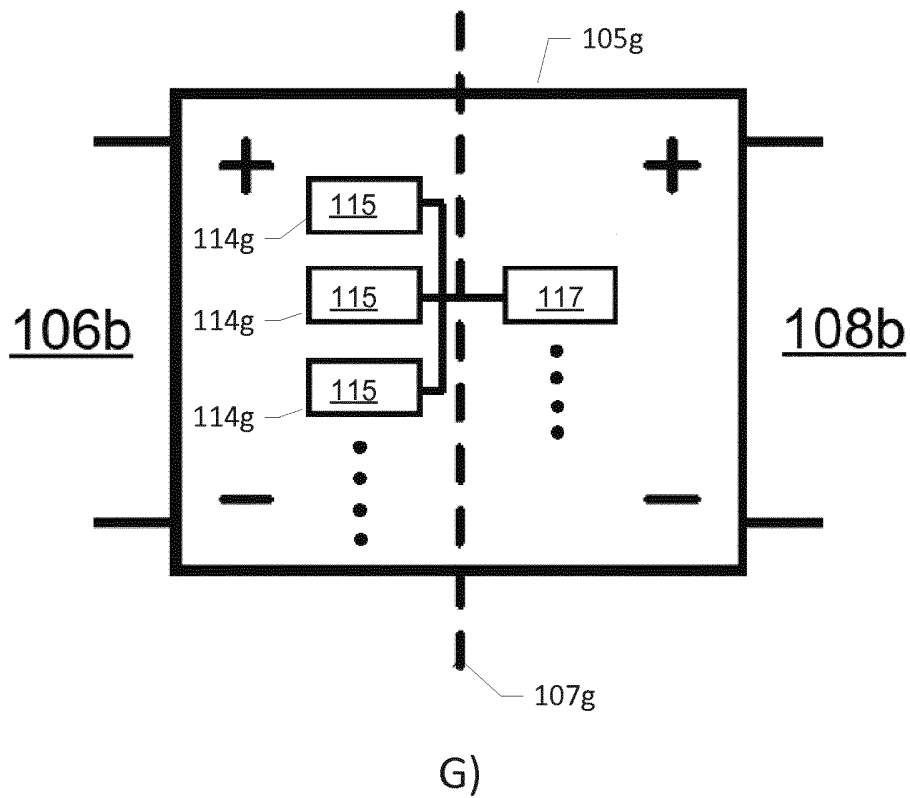
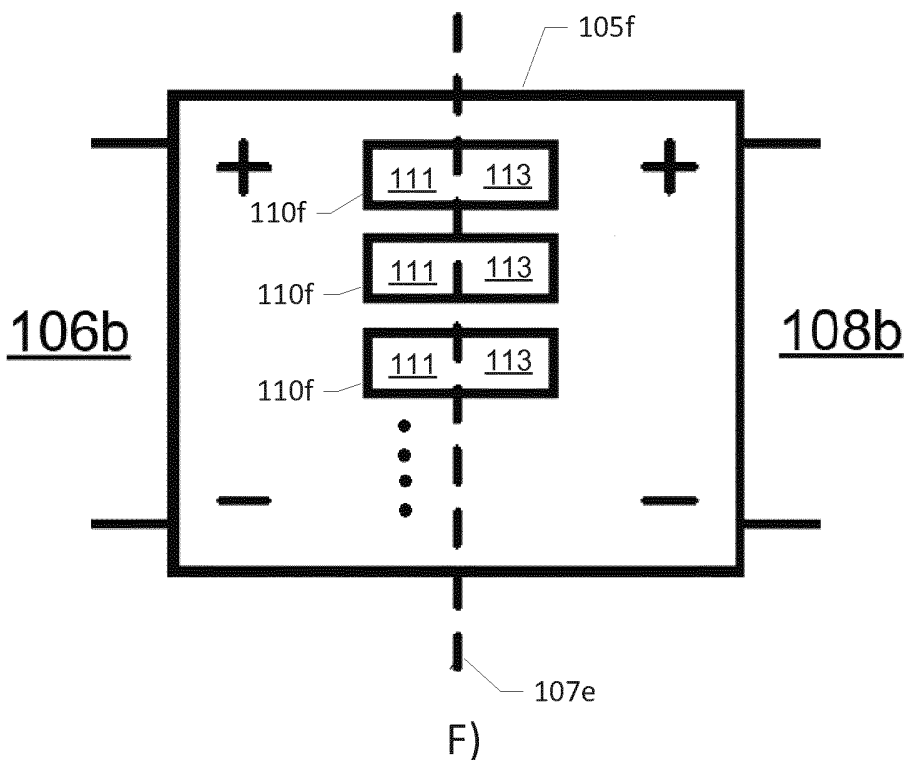


FIG. 1C)

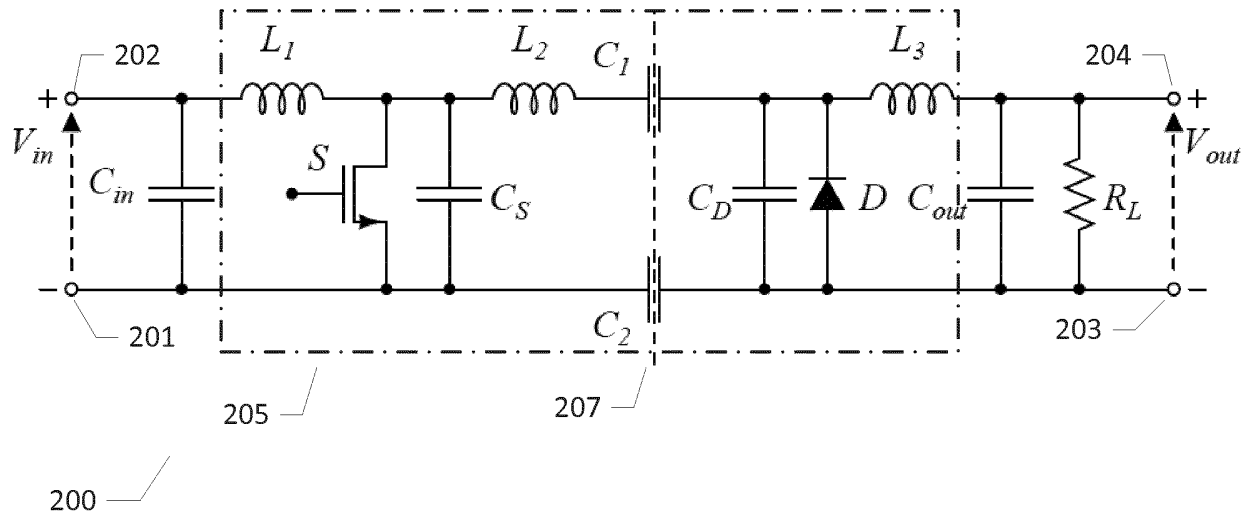


FIGS. 1D)-1E)

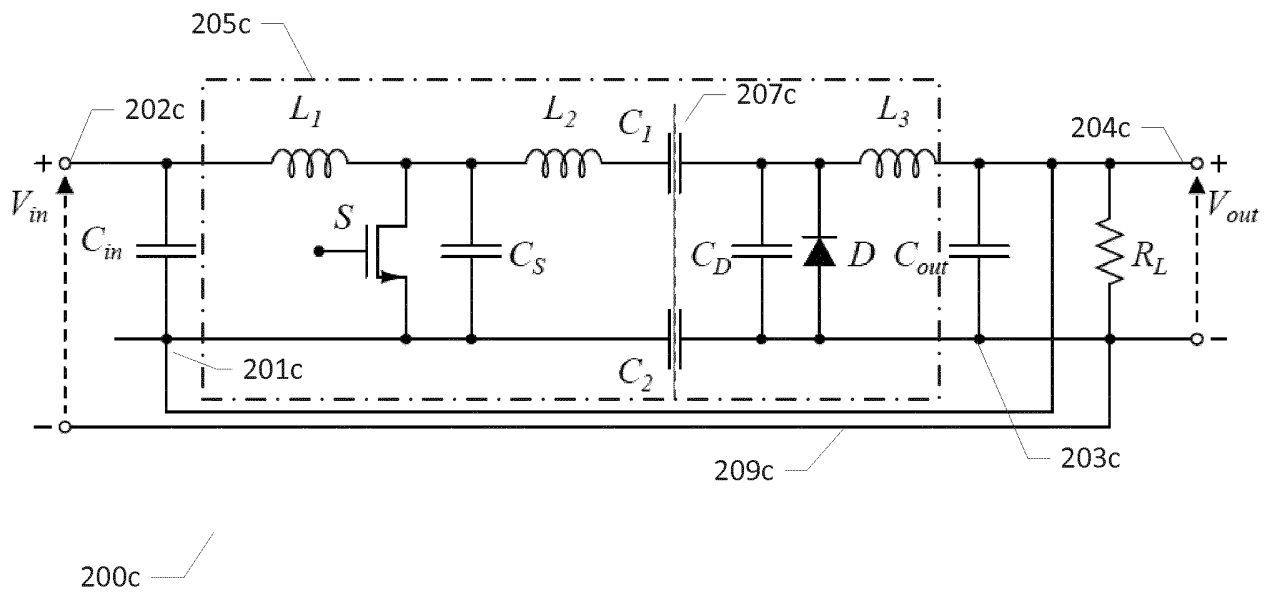
4/7



FIGS. 1F)-1G)

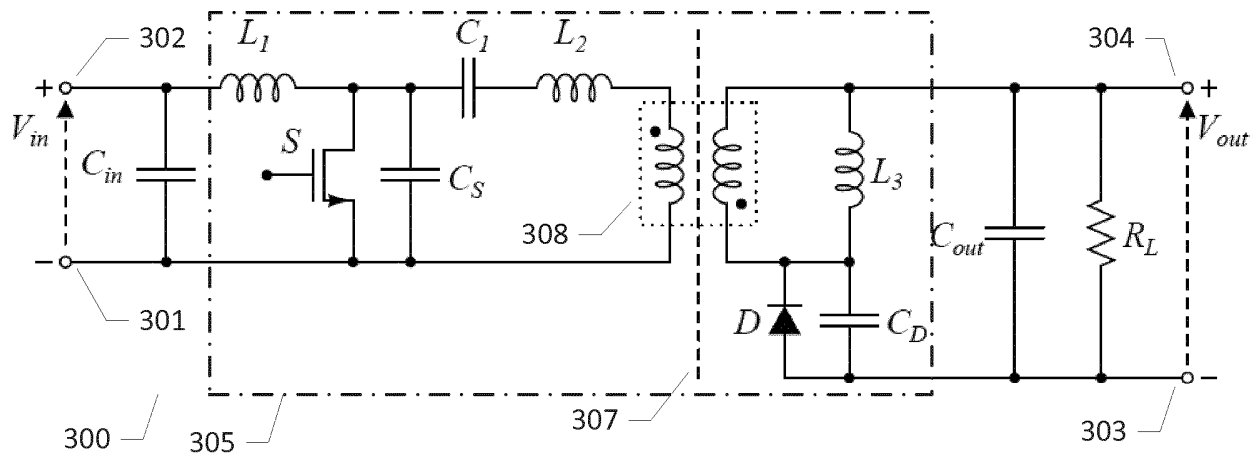


A)

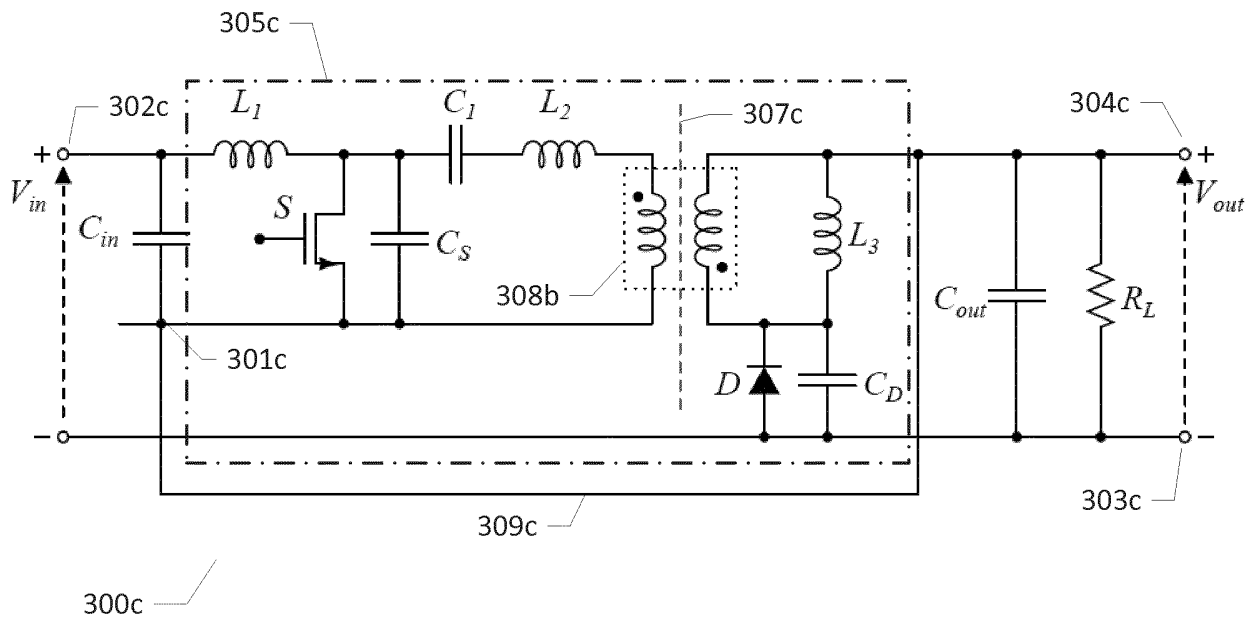


B)

FIGS. 2A), 2B)

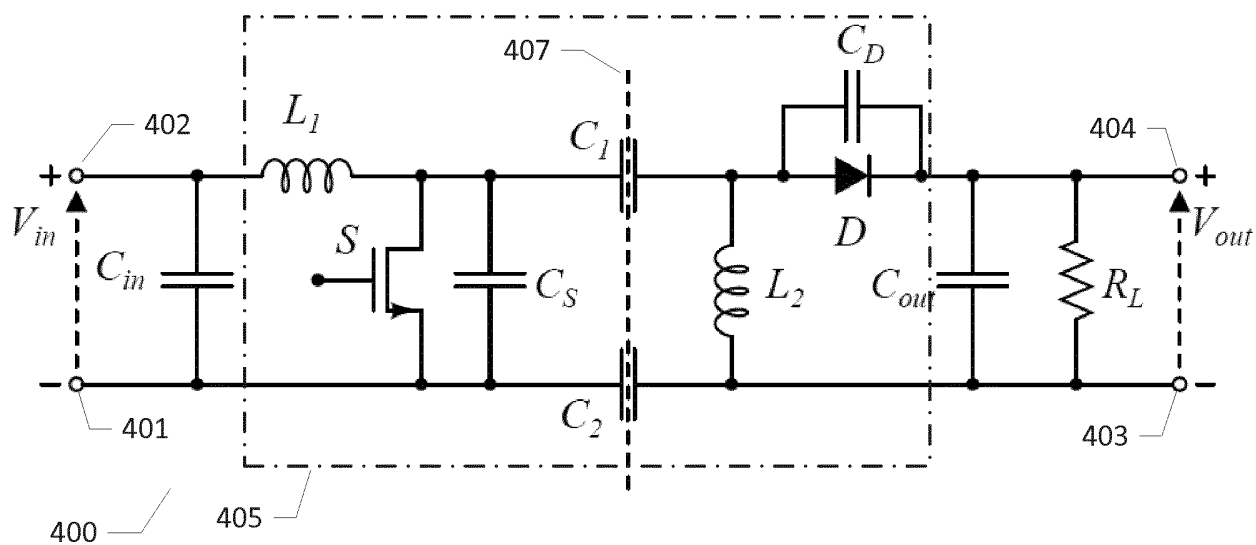


A)

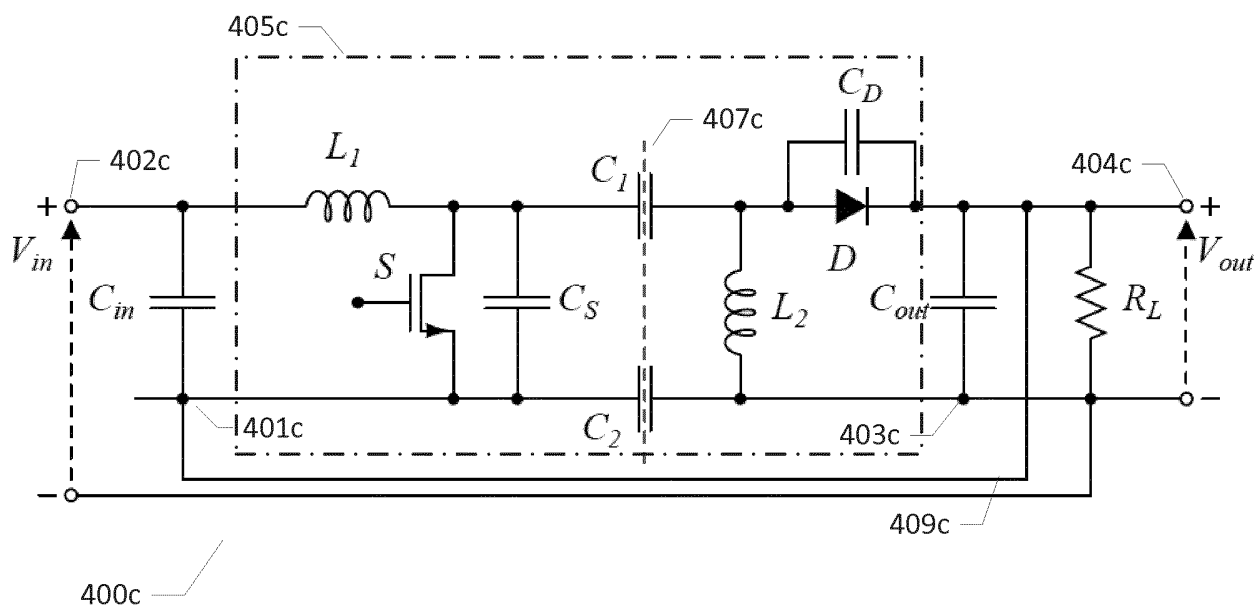


B)

FIGS. 3A), 3B)



A)



B)

FIGS. 4A), 4B)

INTERNATIONAL SEARCH REPORT

International application No PCT/EP2015/051007

A. CLASSIFICATION OF SUBJECT MATTER INV. H02M3/335 ADD.				
According to International Patent Classification (IPC) or to both national classification and IPC				
B. FIELDS SEARCHED Minimum documentation searched (classification system followed by classification symbols) H02M				
Documentation searched other than minimum documentation to the extent that such documents are included in the fields searched				
Electronic data base consulted during the international search (name of data base and, where practicable, search terms used) EPO-Internal				
C. DOCUMENTS CONSIDERED TO BE RELEVANT				
Category*	Citation of document, with indication, where appropriate, of the relevant passages	Relevant to claim No.		
X	GUO J ED - THE INSTITUTE OF ELECTRONICS ET AL: "Double-ended transformer-based multi-phase converters", INTELEC 2003. 25TH. INTERNATIONAL TELECOMMUNICATIONS ENERGY CONFERENCE. YOKOHAMA, JAPAN, OCT. 19 - 23, 2003; [INTELEC. INTERNATIONAL TELECOMMUNICATIONS ENERGY CONFERENCE], TOKYO, IEICE, JP, 23 October 2003 (2003-10-23), pages 104-109, XP031895464, ISBN: 978-4-88552-196-6 paragraphs [000I] - [0III]; figures 1-6 ----- -/--	1-12,14, 15,17-19		
<table style="width: 100%; border: none;"> <tr> <td style="width: 50%; border: none;"><input checked="" type="checkbox"/> Further documents are listed in the continuation of Box C.</td> <td style="width: 50%; border: none;"><input checked="" type="checkbox"/> See patent family annex.</td> </tr> </table>			<input checked="" type="checkbox"/> Further documents are listed in the continuation of Box C.	<input checked="" type="checkbox"/> See patent family annex.
<input checked="" type="checkbox"/> Further documents are listed in the continuation of Box C.	<input checked="" type="checkbox"/> See patent family annex.			
* Special categories of cited documents :				
"A" document defining the general state of the art which is not considered to be of particular relevance "E" earlier application or patent but published on or after the international filing date "L" document which may throw doubts on priority claim(s) or which is cited to establish the publication date of another citation or other special reason (as specified) "O" document referring to an oral disclosure, use, exhibition or other means "P" document published prior to the international filing date but later than the priority date claimed	"T" later document published after the international filing date or priority date and not in conflict with the application but cited to understand the principle or theory underlying the invention "X" document of particular relevance; the claimed invention cannot be considered novel or cannot be considered to involve an inventive step when the document is taken alone "Y" document of particular relevance; the claimed invention cannot be considered to involve an inventive step when the document is combined with one or more other such documents, such combination being obvious to a person skilled in the art "&" document member of the same patent family			
Date of the actual completion of the international search	Date of mailing of the international search report			
3 June 2015	16/06/2015			
Name and mailing address of the ISA/ European Patent Office, P.B. 5818 Patentlaan 2 NL - 2280 HV Rijswijk Tel. (+31-70) 340-2040, Fax: (+31-70) 340-3016	Authorized officer Grosse, Philippe			

INTERNATIONAL SEARCH REPORT

International application No

PCT/EP2015/051007

C(Continuation). DOCUMENTS CONSIDERED TO BE RELEVANT		
Category*	Citation of document, with indication, where appropriate, of the relevant passages	Relevant to claim No.
X	<p>GUO J ED - INSTITUTE OF ELECTRICAL AND ELECTRONICS ENGINEERS: "A rv input high frequency non-isolated dc/dc converter", PESC'03. 2003 IEEE 34TH. ANNUAL POWER ELECTRONICS SPECIALISTS CONFERENCE. CONFERENCE PROCEEDINGS. ACAPULCO, MEXICO, JUNE 15 - 19, 2003; [ANNUAL POWER ELECTRONICS SPECIALISTS CONFERENCE], NEW YORK, NY ;; IEEE, US, vol. 3, 15 June 2003 (2003-06-15), pages 1390-1395, XP010647644, DOI: 10.1109/PESC.2003.1216790 ISBN: 978-0-7803-7754-7 paragraphs [000I] - [00II]; figures 2,4,5</p> <p>-----</p>	1-12,14, 15,17-19
X	<p>SHENG YE ET AL: "A Novel Non-Isolated Full Bridge Topology for VRM Applications", IEEE TRANSACTIONS ON POWER ELECTRONICS, INSTITUTE OF ELECTRICAL AND ELECTRONICS ENGINEERS, USA, vol. 23, no. 1, 1 January 2008 (2008-01-01), pages 427-437, XP011198916, ISSN: 0885-8993, DOI: 10.1109/TPEL.2007.911848 paragraphs [000I] - [00II]; figures 1,3</p> <p>-----</p>	1-12,14, 15,17-19
X	<p>ZHIHUA YANG ET AL: "A New Transformer-Based Non-Isolated Topology Optimized for VRM Application", POWER ELECTRONICS SPECIALISTS CONFERENCE, 2005. PESC '05. IEEE 36TH, IEEE, PISCATAWAY, NJ, USA, 1 January 2005 (2005-01-01), pages 447-453, XP031000208, DOI: 10.1109/PESC.2005.1581663 ISBN: 978-0-7803-9033-1 paragraph [00II]; figures 1,2</p> <p>-----</p>	1-12,14, 15,17-19
X	<p>US 2012/287678 A1 (XU MING [CN] ET AL) 15 November 2012 (2012-11-15) paragraphs [0010] - [0012]; figures 1-5</p> <p>-----</p>	1-12,14, 15,17-19
A	<p>DYLAN D C LU ET AL: "A high step-up, non-isolated DC-DC converter with reduced repeated power processing", 2010 INTERNATIONAL POWER ELECTRONICS CONFERENCE : IPEC-SAPPORO 2010 - [ECCE ASIA] ; SAPPORO, JAPAN, IEEE, PISCATAWAY, NJ, USA, 21 June 2010 (2010-06-21), pages 2897-2904, XP031728681, ISBN: 978-1-4244-5394-8 abstract; figure 1</p> <p>-----</p>	1-19
	----- -/--	

INTERNATIONAL SEARCH REPORT

International application No

PCT/EP2015/051007

C(Continuation). DOCUMENTS CONSIDERED TO BE RELEVANT		
Category*	Citation of document, with indication, where appropriate, of the relevant passages	Relevant to claim No.
A	US 2004/264214 A1 (XU MING [US] ET AL) 30 December 2004 (2004-12-30) abstract; figures 5-8 -----	1-15
A	US 2012/229098 A1 (KRAUER JEAN-PIERRE [US] ET AL) 13 September 2012 (2012-09-13) abstract; figure 4 -----	1-15

INTERNATIONAL SEARCH REPORT

Information on patent family members

International application No

PCT/EP2015/051007

Patent document cited in search report	Publication date	Patent family member(s)	Publication date
US 2012287678 A1	15-11-2012	CN 102158096 A TW 201246771 A US 2012287678 A1	17-08-2011 16-11-2012 15-11-2012

US 2004264214 A1	30-12-2004	NONE	

US 2012229098 A1	13-09-2012	EP 2498370 A1 JP 5529191 B2 JP 2012191841 A US 2012229098 A1	12-09-2012 25-06-2014 04-10-2012 13-09-2012
