

# Seismic researches on a new assembled monolithic RC structure based on IDA

Di Liu<sup>1</sup>, Huai Chen<sup>2</sup>

<sup>1</sup>College of Civil Engineering, Zhengzhou University, Zhengzhou, China

<sup>1,2</sup>College of Civil Engineering, Shangqiu Normal University, Shangqiu, China

<sup>1</sup>Corresponding author

**E-mail:** <sup>1</sup>lutliudi@qq.com, <sup>2</sup>chenh@zzu.edu.cn

Received 4 March 2018; accepted 11 March 2018

DOI <https://doi.org/10.21595/vp.2018.19799>



**Abstract.** A new assembled monolithic RC structure can be formed by using a new light assembled shear walls and frame joints. Seismic researches on the new RC structure can be realized by method of IDA. A calculation model of the new RC structure based on a real engineering is established through finite element method. Twenty far field seismic waves were used as seismic input according to request of ATC-63. Dynamic responses of the RC structure under different earthquake excitations were obtained by incremental dynamic analysis based on Opensees software. The seismic behavior of the new assembled monolithic RC structure was also studied according to the current Chinese seismic design code. The results show that this kind of structure can meet the requirements of related specifications in terms of seismic behaviors, which can provide some references to engineering design and research.

**Keywords:** assembled monolithic structure, IDA, seismic behavior.

## 1. Introduction

Advantages of assembled monolithic concrete structure include fewer energy consume, controllable quality, quicker construction speed, better constructional spot environment and fewer shrinkage cracks. Wide attention was paid to this kind of structure in recent years worldwide. However, compared with traditional cast-in-place concrete structure, there exist some disadvantages of assembled monolithic concrete structure, such as poorer integrity and seismic behaviors [1-3]. Therefore, experts worldwide have done lots of researches to improve seismic behaviors of assembled monolithic concrete structure.

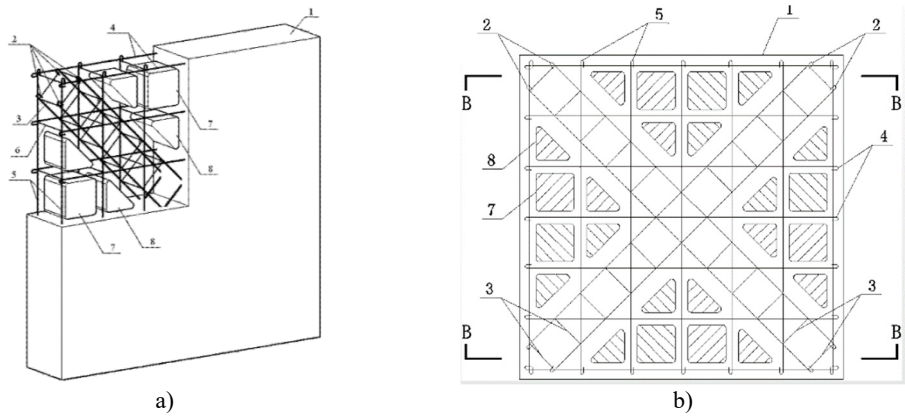
For example, Jianqiang [4] Han studied seismic behaviors of unbonded prestressed assembled frame structure; Wan G. [5] studied seismic behaviors of precast concrete partition wall by method of Pushover analysis based on displacement, and Biswal A. [6] studied influences on shear behaviors of precast concrete board wall with different vertical joints.

This article is based on former studies [7-9], and a new assembled monolithic concrete structure is therefore established. According to seismic design theory in the current Chinese seismic design code [10], seismic behaviors of the assembled monolithic concrete structure are studied by method of incremental dynamic analysis (IDA), which are expected to obtain relevant conclusions so that decision-makers and designers of engineering construction can have more choices.

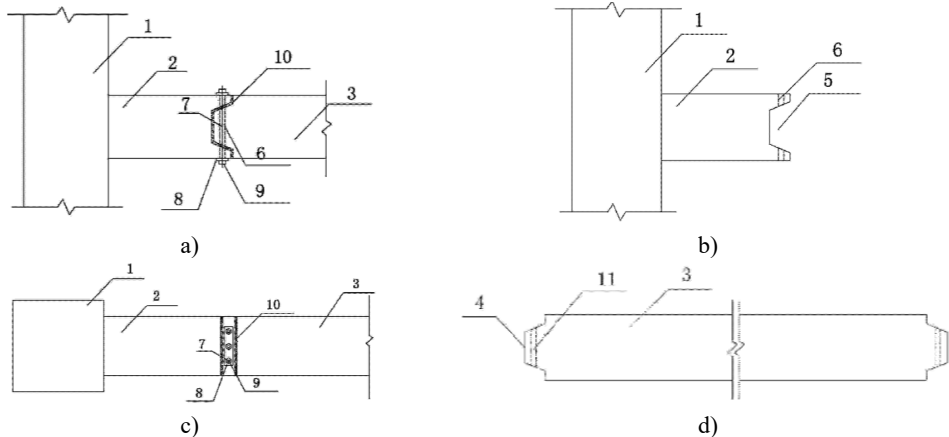
## 2. Calculation model

New components of a new light assembled monolithic structure are developed as shown in Fig. 1 and Fig. 2.

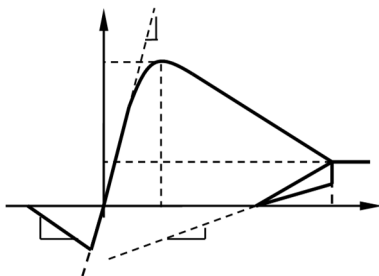
The calculation model is based on a real engineering in Henan. The basic information of the engineering are as follows. Design working life is 50 years, and earthquake fortification intensity is VI. Basic seismic acceleration is 0.05 g, and classification of design earthquake is the first group. Site classification is class II, and aseismic grade is the third one. Basic wind pressure is 0.35 k N/m<sup>2</sup>, and terrain roughness is B class. The above introduced assembled components are adopted at walls and some beam-column joints.



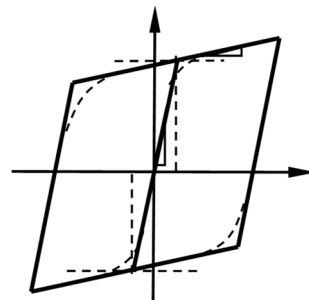
**Fig. 1.** Diagram of an assembled hollow shear wall component with slant-cross reinforcement: 1 – concrete wall; 2 – slant-cross longitudinal reinforcement; 3 – stirrups of slant-cross longitudinal reinforcement; 4 –reinforcements of the wall in horizontal direction; 5 – reinforcements of the wall in vertical direction; 6 – normal reinforcements; 7 – internal blocky foamed plastic model; 8-expanded polystyrene foamed plastic



**Fig. 2.** Diagram of assembled frame beam column with vertical joints: 1 – precast column; 2 – bracket; 3 – precast beam; 4 – Protrusion; 5 – groove; 6 – bracket bolt hole; 7 – bolt; 8 – bolt backing plate; 9 – nut; 10 – bonding layer; 11 – bolt hold of precast beam)



**Fig. 3.** Stress-strain curve of concrete



**Fig. 4.** Stress-strain curve of steel

Wall components, beams, columns and bracings of the new assembled monolithic structure are simulated by using fiber elements of nonlinear BeamColumn in OpenSees software. Uniaxial Material Concrete02 in OpenSees software is used as concrete constitutive relation, and the constitutive relation model is shown in Fig. 3. Uniaxial Material Steel02, a bilinear kinematic

hardening model, in OpenSees software is used as constitutive relation of both steel bar and steel pipe adopted by steel pipe concrete, and the constitutive relation model is shown in Fig. 4.

The finite element calculation model of assembled monolithic structure system is constructed by using OpenSees finite element software.

### 3. IDA method

Incremental dynamic analysis is based on nonlinear time-history analysis. By calculating massive earthquake responses, it can analyze seismic behaviors of a building structure. This method takes many factors into consideration, such as different seismic requests of building structure and parameter uncertainty. It is an extension of traditional nonlinear time-history analysis, and this kind of method is widely used for seismic performance evaluation. According to IDA, for single seismic ground motion, different amplitudes are chosen, denoted as IM (Intensity Measure). During calculation process, corresponding nonlinear time-history analysis is conducted when amplitude of seismic ground motion is changed. And the damage measure (DM) of the building structure is therefore marked. In a two-dimensional coordinate system, the IDA curves can be obtained by measures of IM and DM.

By using this method, when building structure is suffered different intensities of earthquake, their responses to the whole earthquake process can be obtained by analyzing a few earthquake waves. Thus, complete seismic behavior evaluation of building structure can be realized. Meanwhile, collapse resistant capacity of building structure can also be studied, which can reflect real resistance level of building structure.

At present, during the process of seismic behavior analysis, the positions of each behavior of the engineering structure should be pointed out in the IDA curve when adopting IDA method. As a result, there is an obvious elastic stage of IDA curve from origin to the point where  $\theta_{max}$  is about 1 %. Then there follows a yielding stage of IDA curve, and the tangent slope of the curve is elastic stiffness,  $Ke$ .

According to request of FEMA351, the point where slope of IDA curve begins to change means that the structure can continue to work. When slope of IDA curve is less than  $0.2Ke$ , it is the point (Collapse Prevention, CP) that means the structure is in a limit state of no collapse. If the extreme value,  $\theta_{max}$ , of the story drift angle is more than 10 %, then  $\theta_{max}$  is 10 %. After this point (Global Dynamic Instability), the IDA curve begins to become a, which means that the whole structure is in a state of dynamic instability.

During calculation process, acceleration spectra,  $Sa$ , is used as intensity measure of seismic ground motion for IDA method, and the acceleration spectra correspond to structural period with damping ratio of 5 %, which is denoted as (T1, 5 %). Moreover, the maximum story drift angle is used as a damage measure (DM). Combined with the selected IM and DM, seismic behavior of the new assembled monolithic concrete structure is further studied.

### 4. Seismic wave selection

The key to incremental dynamic analysis lies in how to select reasonable seismic inputs. The calculation model in this article is established according to real engineering structure. Therefore, when using IDA method, strong motion recordings should be selected according to site classification of the real engineering.

For research object, its design bases should be taken into consideration, so 20 strong motion recordings are used as seismic input for IDA, as shown in table 1. These recordings are among 6 and 8 earthquake magnitudes, and they are selected from seismic recordings database in Pacific Earthquake Engineering Research Center, which is helpful for seismic behavior evaluation of the model with the influence of object earthquake.

**Table 1.** ATC-63 far-field ground motions proposed set of records

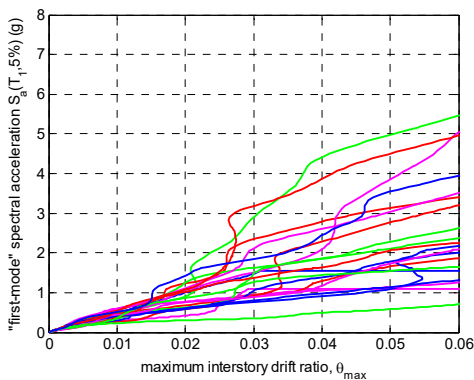
Number	Earthquake magnitude	Occurrence year	Name
1	7.1	1999	Hector Mine
2	7.4	1990	Manjil, Iran
3	7.1	1999	Duzce, Turkey
4	7.5	1999	Kocaeli, Turkey
5	7.5	1999	Kocaeli, Turkey
6	6.9	1995	Kobe, Japan
7	6.9	1995	Kobe, Japan
8	6.7	1994	Northridge
9	6.7	1994	Northridge
10	7.3	1992	Landers
11	7.6	1999	Chi-Chi, Taiwan
12	7.0	1992	Cape Mendocino
13	6.9	1989	Loma Prieta
14	6.9	1989	Loma Prieta
15	6.5	1987	Superstition Hills
16	6.5	1987	Superstition Hills
17	6.5	1979	Imperial Valley
18	6.5	1979	Imperial Valley
19	6.6	1971	San Fernando
20	6.5	1976	Friuli, Italy

### 5. Result analysis

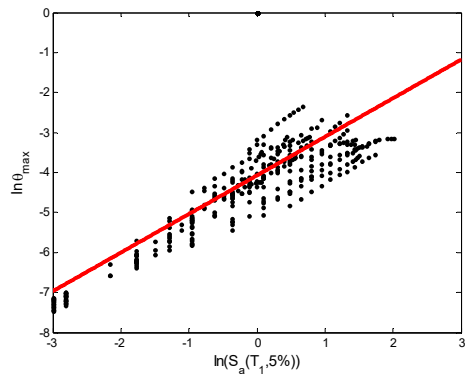
By using the method of hunt&fill, amplitude modulations of the above mentioned 20 earthquake waves can be realized. Thus, the IDA curve can be plotted, as shown in Fig. 6.

Fig. 5 shows the IDA curves of the new assembled monolithic concrete structure. Fig. 6 shows linear regression analysis of IDA curves. Further analysis shows that with the influence of same earthquake magnitude, both maximum story drift angle and maximum bearing capacity of the structure can meet with requests of the current Chinese seismic design code.

Meanwhile, when the new assembled monolithic concrete structure is suffered with earthquake, both seismic motion amplitude and seismic parameters tend to become lower, which means the damage degree is lower when the structure is under the influence of same earthquake magnitude



**Fig. 5.** The IDA curve



**Fig. 6.** Linear regression analysis of IDA curve

### 6. Conclusions

Elastoplastic time-history analysis of the new assembled monolithic concrete structure is conducted through the method of incremental dynamic analysis, and IDA curves of the structure

are plotted as well. Some conclusions can be obtained as follows:

1) Results of incremental dynamic analysis shows that seismic behaviors of the new assembled monolithic concrete structure can meet with requests of the current Chinese seismic design code.

2) Seismic behaviors of the structure are analyzed according to the features of the structure and the current Chinese seismic design code. Results show that seismic behaviors of the new assembled monolithic concrete structure are better than those of traditional reinforced concrete frame structure. With the influence of same seismic ground motion intensity, damages of the new assembled monolithic concrete structure are less than those of traditional reinforced concrete frame structure.

## Acknowledgements

Henan Technology Natural Science Foundation (172102310734).

## References

- [1] **Hubert B., Alfred S.** Precast Concrete Structures. Wiley-VCH, Berlin, 2011.
- [2] **Dall'Asta Andrea, Ragni Laura** Dynamic systems with high damping rubber: nonlinear behaviour and linear approximation. Earthquake Engineering Structure Dynamic, Vol. 37, Issue 13, 2008, p. 1511-1526.
- [3] **Ragni Laura, Dezi Luigino, Dall'Asta Andrea, Leoni Graziano** HD devices for the seismic protection of frame structures: experimental results and numerical simulations. Earthquake Engineering Structure Dynamic, Vol. 38, Issue 10, 2009, p. 1199-1217.
- [4] **Jianqiang Han, Yulong Cai** Experimental research on seismic behavior of unbounded precast reinforced concrete frame. Systems Engineering Procedia, Vol. 32, Issue 1, 2011, p. 137-141.
- [5] **Wan G., Zhang D., Fleischman R. B., et al.** A coupled connector element for nonlinear static pushover analysis of precast concrete diaphragms. Engineering Structures, Vol. 86, 2015, p. 58-71.
- [6] **Biswal A., Prasad A. M., Sengupta A. K.** Investigation of shear behaviour of vertical joints between precast concrete wall panels. Advances in Structural Engineering, Springer India, 2015, p. 2323-2332.
- [7] **Pan Q. K., Suganthan P. N., Tasgetiren M. F., et al.** A self-adaptive global best harmony search algorithm for continuous optimization problems. Applied Mathematics and Computation, Vol. 216, Issue 3, 2010, p. 830-848.
- [8] **Li H., Deng X., Dai H.** Structural damage detection using the combination method of EMD and wavelet analysis. Mechanical Systems and Signal Processing, Vol. 26, Issue 1, 2007, p. 298-306.
- [9] **Moaveni B., Conte J. P., Hemez F. M.** Uncertainty and sensitivity analysis of damage identification results obtained using finite element model updating. Computer-Aided Civil and Infrastructure Engineering, Vol. 24, Issue 5, 2009, p. 320-334.
- [10] GB50011-2010. Code for Seismic Design of Buildings. China Architecture and Building Press, Beijing, 2010.