

PUBLISHED VERSION

Corbitt, Thomas; Chen, Yanbei; Khalili, Farid Ya; Ottaway, David John; Vyachanin, Sergey; Whitcomb, Stanley E.; Mavalvala, Nergis

[Squeezed-state source using radiation-pressure-induced rigidity](#) Physical Review A, 2006; 73(2):023801

© 2006 American Physical Society

<http://link.aps.org/doi/10.1103/PhysRevA.73.023801>

PERMISSIONS

<http://publish.aps.org/authors/transfer-of-copyright-agreement>

“The author(s), and in the case of a Work Made For Hire, as defined in the U.S. Copyright Act, 17 U.S.C.

§101, the employer named [below], shall have the following rights (the “Author Rights”):

[...]

3. The right to use all or part of the Article, including the APS-prepared version without revision or modification, on the author(s)' web home page or employer's website and to make copies of all or part of the Article, including the APS-prepared version without revision or modification, for the author(s)' and/or the employer's use for educational or research purposes.”

15th March 2013

<http://hdl.handle.net/2440/48381>

Squeezed-state source using radiation-pressure-induced rigidity

Thomas Corbitt,¹ Yanbei Chen,² Farid Khalili,³ David Ottaway,¹ Sergey Vyatchanin,³ Stan Whitcomb,⁴ and Nergis Mavalvala¹

¹*LIGO Laboratory, Massachusetts Institute of Technology, Cambridge, Massachusetts 02139, USA*

²*Theoretical Astrophysics, California Institute of Technology, Pasadena, California 02139, USA*

³*Physics Faculty, Moscow State University, Moscow 119992, Russia*

⁴*LIGO Laboratory, California Institute of Technology, Pasadena, California 02139, USA*

(Received 1 November 2005; published 2 February 2006)

We propose an experiment to extract ponderomotive squeezing from an interferometer with high circulating power and low mass mirrors. In this interferometer, optical resonances of the arm cavities are detuned from the laser frequency, creating a mechanical rigidity that dramatically suppresses displacement noises. After taking into account imperfection of optical elements, laser noise, and other technical noise consistent with existing laser and optical technologies and typical laboratory environments, we expect the output light from the interferometer to have measurable squeezing of 5 dB, with a frequency-independent squeeze angle for frequencies below 1 kHz. This squeeze source is well suited for injection into a gravitational-wave interferometer, leading to improved sensitivity from reduction in the quantum noise. Furthermore, this design provides an experimental test of quantum-limited radiation pressure effects, which have not previously been tested.

DOI: [10.1103/PhysRevA.73.023801](https://doi.org/10.1103/PhysRevA.73.023801)

PACS number(s): 42.50.Dv, 04.80.Nn, 03.65.Ta, 95.55.Ym

I. INTRODUCTION

Next-generation gravitational-wave (GW) interferometers, such as those planned for Advanced LIGO [1,2], are designed to have a 15-fold improvement in sensitivity over present-day detectors [3]. Advanced detector sensitivity at almost all frequencies in the detection band is expected to be limited by *quantum* noise [4]. At higher frequencies (above ~ 200 Hz for advanced LIGO), quantum noise is dominated by shot noise, which reflects the accuracy at which test-mass motion is measured at individual instants; shot noise decreases with increased input laser power. At lower frequencies (below ~ 100 Hz), quantum noise is dominated by radiation-pressure noise, which arises from random forces exerted on the test masses by amplitude fluctuations of the light; radiation-pressure noise increases with increased laser power. At any given frequency, the spectral density of the quantum noise is a sum of those of the shot noise, the radiation-pressure noise, and a term arising from their correlation. The standard quantum limit (SQL) on precise measurement of the motion arises when the two noise sources are uncorrelated [5,6].

Since both types of quantum noise can be attributed to vacuum fields entering the interferometer from its antisymmetric port [4], injecting squeezed vacuum into this port can improve the sensitivity of the interferometer [4,7]. However, for different kinds of interferometers, the required squeezed vacuum may be very different. For example, for a Michelson interferometer with Fabry-Perot cavities in each arm that are tuned to the carrier frequency, and using a homodyne scheme to detect the phase quadrature of the output light (the quadrature in which the signal due to differential arm length changes resides), shot noise is associated with the phase quadrature of the input vacuum field, while radiation-pressure noise is associated with the input amplitude quadrature. As a consequence, a nearly phase-squeezed vacuum is required for higher frequencies, at which shot noise dominates; while a nearly amplitude-squeezed vacuum is required

for lower frequencies, at which radiation-pressure noise dominates [8]. As another example, for a narrow-band signal-recycled configuration with homodyne detection, the squeezed quadrature of the input squeezed vacuum needs to go through a rapid change from below to above the optical resonant frequency in order for noise in the detected output quadrature to be suppressed (instead of amplified) through-out in this narrow frequency band [9]. Moreover, speed meters have the property that their optimal squeezed quadrature stays fairly constant for a broad frequency band [10–12]. Fortunately, it has been shown that detuned Fabry-Perot cavities can act as optical filters, which convert a squeezed vacuum with *frequency-independent* squeeze quadrature into one with *frequency-dependent* squeeze quadrature [8], where Ω is the sideband frequency [11]. These filters have been shown to be broadly applicable to existing interferometer configurations [8,9,11,12]. Amplitude filters, which do not rotate the squeeze quadrature, but instead filter out (i.e., substitute with ordinary vacuum) the squeezed vacuum at above or below certain frequencies, have also been analyzed [13]. With these filters as tools, it is sufficient to construct a device which generates *frequency-independent* squeezed vacuum.

The injection of squeezed light into the antisymmetric port of an interferometer has been experimentally demonstrated [14,15]. In these experiments, the traditional method for preparing squeezed states of light using the $\chi^{(2)}$ nonlinearity in optical media was employed. The squeezed light was generated using optical parametric processes, and then injected into the antisymmetric port of the interferometer. The use of detuned Fabry-Perot filters in generating frequency-dependent squeezed quadratures also has been demonstrated recently [16]. In all of these experiments, sub-vacuum noise performance was measured in the few MHz frequency band, where the deleterious effects of classical noise sources, such as laser intensity and frequency noise, are greatly reduced. On the other hand, for GW detection, it is necessary to inject vacuum states that are squeezed in the GW band, from 10 Hz to 10 kHz. A recent experimental

demonstration of squeezed vacuum at frequencies as low as 280 Hz [17] has shown that low frequency squeezing is possible using optical parametric processes, but there may be technical limits to the level of squeezing that can be achieved by this technique, e.g., arising from photothermally driven fluctuations [18].

An alternative technique is to extract the radiation-pressure-induced—or *ponderomotive*—squeezing generated inside an interferometer as a result of the coupling between the optical field and the mechanical motion of the mirrors. The properties of the ponderomotive squeezed state depend on the intensity of the laser light incident on the movable mirror, optical properties of the interferometer, and on mechanical properties of the mirror. In this paper, we propose and analyze a ponderomotive squeezing experiment, which is a variant of the interferometer that was analyzed in Ref. [19]. The main features of this interferometer are high-power optical field and low-mass mirrors, suspended as pendulums, in order to enhance the radiation pressure forces; and the use of detuned Fabry-Perot arm cavities, which induces an optomechanical rigidity, or *optical spring*. Our proposal to use the optical spring effect is the major innovation over previous attempts to extract ponderomotive squeezing from interferometers [20]. With our high-power and low-mass system, the optical spring can be very *stiff*, and will shift the resonant frequency of the test mass from the suspension pendulum frequency of $\Omega_p \sim 2\pi \times 1$ Hz up to $\Theta \sim 2\pi \times 5$ kHz. There are two main consequences following this shift; for a side-band frequency Ω between Ω_p and Θ : (i) all thermal and seismic forces will now induce much less motion of the mirror, with a reduction factor of $(\Theta/\Omega)^2$, and (ii) since the mirrors' response to driving forces is frequency independent at $\Omega < \Theta$, the ponderomotive squeezing generated in this frequency band is frequency independent.

Experiments with the goal of directly measuring the SQL on the motion of macroscopic oscillators are similar to the experiment proposed here in that they must reach a sensitivity that is limited by quantum-limited radiation pressure. SQL experiments, however, rely on measuring at a quadrature where the radiation pressure noise and shot noise remain uncorrelated, whereas this experiment relies on measuring at a quadrature where the two noises are correlated. Furthermore, the optical spring in the ponderomotive squeezing experiment modifies the dynamics of the system, and allows squeezing to be observed without measuring at the level of the SQL, which greatly relaxes the sensitivity requirements compared to the SQL experiments.

The paper is organized as follows: In Sec. II we discuss the origin of ponderomotive squeezing using a single Fabry-Perot cavity as a simple but instructive case that explains many features of our experiment, and will guide our choice of parameters; in Sec. III we present and motivate the more complex design of the experiment; in Sec. IV we calculate contributions from expected noise sources; and in Sec. V we summarize our conclusions.

II. SIMPLIFIED CONSIDERATION: AN OPTICAL CAVITY

In this section we consider the ideal case of a short, lossless Fabry-Perot cavity. For clarity and simplicity, we restrict

ourselves to the quasistatic regime, in which the cavity bandwidth is much larger than the frequency of observation. This approximation provides quantitatively correct results in certain limited test cases.

Consider a Fabry-Perot (FP) cavity with a movable and perfectly reflective end mirror. Suppose laser light with frequency ω_0 (the carrier) is incident on a fixed and *highly reflective* input mirror, and assuming the cavity to be *close to resonance*, we list several quantities characterizing the state of the cavity, namely its linewidth γ , finesse \mathcal{F} , circulating power W , and the phase shift Φ gained by the carrier as it comes out from the cavity, in terms of more basic parameters,

$$\gamma = \frac{c\mathcal{T}_I}{4L}, \quad (1)$$

$$\mathcal{F} = \frac{2\pi}{\mathcal{T}_I}, \quad (2)$$

$$W(I_0, \delta_\gamma) = \frac{4I_0}{\mathcal{T}_I} \frac{1}{(1 + \delta_\gamma^2)}, \quad (3)$$

$$\Phi(\delta_\gamma) = -2 \arctan(\delta_\gamma). \quad (4)$$

Here L is the cavity length, \mathcal{T}_I the input-mirror power transmissivity, I_0 the incident power, and c the speed of light. The detuning parameter δ_γ ,

$$\delta_\gamma \equiv \frac{\delta}{\gamma}, \quad (5)$$

is defined in terms of $\delta \equiv \omega_{\text{res}} - \omega_0$, the difference between the cavity's (most nearby) resonant frequency and laser frequency. Note that in Eqs. (3) and (4), we have explicated the dependence of W on I_0 and δ_γ , and the dependence of Φ on δ_γ . Mathematically, our assumptions of highly reflective input mirror and the cavity's closeness to resonance amounts to keeping results up to leading order in \mathcal{T}_I and $\delta L/c$.

The radiation pressure, or ponderomotive, force F acting on the end mirror is proportional to the optical power W circulating in the cavity,

$$F = \frac{2W}{c}. \quad (6)$$

For a particular constant set of input power I_0 and detuning parameter δ_γ , a dc force acting on the end mirror, e.g., from the pendulum, can balance the associated ponderomotive force and keep the mirror in mechanical equilibrium. Now suppose we shift the mirror *statically*, by dx , from this equilibrium condition. Because the detuning parameter δ_γ will change, the ponderomotive force will also change, giving rise to an additional restoring force to that from the pendulum. The total restoring force can be written as (with Ω_p the pendulum frequency and M the end-mirror mass):

$$dF = -M\Omega_p^2 dx + \underbrace{\frac{2}{c} \frac{\partial W(I_0, \delta_\gamma)}{\partial \delta_\gamma} \frac{d\delta_\gamma}{dx}}_{\text{optical rigidity}} dx. \quad (7)$$

$\equiv -K_{\text{opt}}$

As we shall see later in this paper, the optical rigidity (or spring constant) that appears in this equation will be crucial for our ponderomotive squeezer. Note that Eq. (7) is valid not only for static changes in cavity length, but for all mirror motion band-limited *well below the cavity linewidth*—the *quasistatic* regime. It is also easy to obtain

$$\frac{d\delta_\gamma}{dx} = -\frac{4\omega_0}{c\mathcal{T}_I}. \quad (8)$$

We are now ready to set up the frequency-domain equation of motion for the mirror, at nonzero frequencies well below the cavity linewidth (i.e., in the *quasistatic* regime):

$$-M\Omega^2 \tilde{x} = -(M\Omega_p^2 + K_{\text{opt}}) \tilde{x} + \frac{2}{c} \frac{\partial W(I_0, \delta_\gamma)}{\partial I_0} I_0 + \tilde{F}_{\text{ext}}. \quad (9)$$

In this equation, the ponderomotive force associated with ac power fluctuation \tilde{I}_0 and external forces \tilde{F}_{ext} have been considered. As for the output field, the ac component of the phase of the output carrier can be written as [cf. Eqs. (4) and (8)]:

$$\tilde{\Phi} = \left(\frac{d\Phi(\delta_\gamma)}{d\delta_\gamma} \right) \left(\frac{d\delta_\gamma}{dx} \right) \tilde{x}. \quad (10)$$

Here and henceforth in this section, we shall use $(\bar{I}_0, \bar{\delta}_\gamma, \bar{\Phi})$ to denote *dc components* of the input power, detuning parameter, and carrier phase shift, and use $(\tilde{I}_0, \tilde{\delta}_\gamma, \tilde{\Phi})$ to denote their ac components.

As can already be seen from Eqs. (9) and (10), any suspended cavity (not necessarily detuned) will convert input amplitude fluctuation into mirror motion, and subsequently output phase fluctuation—producing ponderomotive squeezing when the input fluctuations are quantum limited. Henceforth in this section, we shall further develop and apply these equations and study main features (in particular advantages) of a ponderomotive squeezer based on *detuned* cavities with optical rigidity. Before doing that, let us point out that in the case both mirrors are suspended, we can replace M in the above formulas by the reduced mass

$$m = \frac{M_I M_E}{M_I + M_E}, \quad (11)$$

where M_I and M_E are the masses of the input and end mirrors of the cavity, respectively. [Throughout the paper we refer to the input and end mirrors of cavities as input mirror (IM) and end mirror (EM), respectively.] We can do so because the cavity finesse is high, and the ponderomotive forces acting on the IM and EM are equal, with a value that only depends on their relative distance.

A. Input-output relation

Let us now put the above discussions, in particular Eqs. (9) and (10), into the two-photon formalism [21]. The input field can be written as

$$a(t) = (A + a_A) \cos \omega_0 t + a_P \sin \omega_0 t, \quad (12)$$

where A is the mean amplitude and $a_{A,P}$ are quantum amplitude and phase fluctuations. It is convenient to normalize a coherent-state input wave as

$$\hbar \omega_0 A^2 = 2\bar{I}_0, \quad S_{a_A} = S_{a_P} = 1, \quad S_{a_A a_P} = 0, \quad (13)$$

where S_{a_A} , S_{a_P} , and $S_{a_A a_P}$ are the single-sided spectral densities of a_A and a_P , and their cross spectral density, respectively. In the quasistatic regime, the entire output field $b(t)$ will simply be phase-shifted from $a(t)$ by $\Phi[\delta_\gamma(t)]$, or

$$b(t) = (A + a_A) \cos(\omega_0 t - \Phi) + a_P \sin(\omega_0 t - \Phi). \quad (14)$$

Decomposing Φ into its dc ($\bar{\Phi}$) and ac ($\tilde{\Phi}$) components, and treating $\tilde{\Phi}$ as a small quantity, we obtain

$$b(t) = (A + b_A) \cos(\omega_0 t - \bar{\Phi}) + b_P \sin(\omega_0 t - \bar{\Phi}), \quad (15)$$

with

$$b_A = a_A,$$

$$b_P = a_P + A\tilde{\Phi} = a_P + \left(\frac{4}{\mathcal{T}_I} \frac{1}{1 + \bar{\delta}_\gamma^2} \right) \frac{2A\omega_0 \tilde{x}}{c}, \quad (16)$$

where in the second line we have inserted Eq. (10).

So far we have essentially set Eq. (10) into the two-photon formalism, let us now further develop Eq. (9). From Eqs. (7) and (3), we have

$$K_{\text{opt}} = -\frac{4\omega_0 \bar{W}}{\gamma L c} \frac{\bar{\delta}_\gamma}{1 + \bar{\delta}_\gamma^2}. \quad (17)$$

From this, we can further define a characteristic frequency,

$$\Theta^2 \equiv \frac{K_{\text{opt}}}{M} = -\frac{1}{\gamma} \frac{4\omega_0 \bar{W}}{M L c} \frac{\bar{\delta}_\gamma}{1 + \bar{\delta}_\gamma^2} = -\frac{4\omega_0 I_0 \bar{\delta}_\gamma}{M c^2} \left(\frac{4}{\mathcal{T}_I} \frac{1}{1 + \bar{\delta}_\gamma^2} \right)^2. \quad (18)$$

Note that Θ can either be real ($\bar{\delta}_\gamma < 0$) or be purely imaginary ($\bar{\delta}_\gamma > 0$).

On the other hand, the fluctuating part of the power incident on the cavity is

$$\tilde{I}_0 = \hbar \omega_0 A a_A, \quad (19)$$

which induces a fluctuating force of

$$\frac{2}{c} \frac{\partial W(I_0, \delta_\gamma)}{\partial I_0} \tilde{I}_0 = \left(\frac{4}{\mathcal{T}_I} \frac{1}{1 + \bar{\delta}_\gamma^2} \right) \frac{2\hbar \omega_0 A}{c} a_A \quad (20)$$

on the mirror [cf. Eq. (9)]. Inserting Eqs. (17)–(20) into Eq. (9), we get

$$M(\Theta^2 + \Omega_p^2 - \Omega^2)\bar{x} = \left(\frac{4}{T_I} \frac{1}{1 + \bar{\delta}_\gamma^2} \right) \frac{2\hbar\omega_0 A}{c} a_A + \bar{F}_{\text{ext}}. \quad (21)$$

This means the mirror's (complex) mechanical resonant frequencies will shift from $\pm\Omega_p$ to $\pm\sqrt{\Omega_p^2 + \Theta^2}$ —if the latter lie within the quasistatic regime. Suppose this is true, and that Ω_p is much lower than $|\Theta|$, then $\pm\Theta$ gives the mirror mechanical resonant frequencies. These could correspond either to a resonance in the usual sense when Θ is real, or to a pure instability when Θ is purely imaginary.

Finally, the input-output relation of the cavity can be obtained by inserting Eq. (21) into Eq. (16).

B. Quadrature coupling and squeezing

Assuming no external forces acting on the mirrors, we can set the frequency-domain input-output relation in a very simple form,

$$\begin{pmatrix} b_A \\ b_P \end{pmatrix} = \begin{pmatrix} 1 & 0 \\ -2\mathcal{K}(\Omega) & 1 \end{pmatrix} \begin{pmatrix} a_A \\ a_P \end{pmatrix} \quad (22)$$

with a coupling constant

$$\mathcal{K}(\Omega) = \left(\frac{1}{1 - (\Omega^2 - \Omega_p^2)/\Theta^2} \right) \frac{1}{\bar{\delta}_\gamma}. \quad (23)$$

Clearly, \mathcal{K} couples the output amplitude and phase quadratures, and gives rise to squeezing in the output state.

In order to quantify squeezing, we look at the quadrature field measured by a homodyne detector, which is given by

$$2b(t)\cos(\omega_0 t - \bar{\Phi} - \zeta) = (A + b_A)\cos \zeta + b_P \sin \zeta, \quad (24)$$

where ζ is the homodyne angle, with a convention in which $\zeta=0$ corresponds to the simple amplitude detection of the output field. The fluctuating part of the output quadrature is

$$b_A \cos \zeta + b_P \sin \zeta = a_A(\cos \zeta - 2\mathcal{K} \sin \zeta) + a_P \sin \zeta, \quad (25)$$

with a spectral density of

$$S_\zeta(\Omega) = 1 + 2\mathcal{K}^2 - 2\mathcal{K}(\sin 2\zeta + \mathcal{K} \cos 2\zeta) \equiv \xi_\zeta^2(\Omega). \quad (26)$$

Note that for an unsqueezed vacuum state we have $S_\zeta(\Omega) = 1$.

By minimizing $\xi_\zeta(\Omega)$ over quadratures, we obtain the amplitude squeeze factor

$$\xi_{\text{min}}(\Omega) = \frac{1}{|\mathcal{K}(\Omega)| + \sqrt{1 + \mathcal{K}^2(\Omega)}}, \quad (27)$$

which is achieved at

$$\zeta_{\text{min}}(\Omega) = \frac{1}{2} \arctan \frac{1}{\mathcal{K}(\Omega)}. \quad (28)$$

In configurations considered here, the pendulum frequency Ω_p is always much below Ω and $|\Theta|$, and thus neg-

ligible. Now we can divide the value of Ω into three regimes, if $|\Theta|$ lies within the quasistatic regime (otherwise only the first regime exists). *First*, when $\Omega \ll |\Theta|$, we have a constant \mathcal{K} of $1/\bar{\delta}_\gamma$, which means we have a frequency independent squeezed state. The amplitude squeeze factor and squeeze angle of this state are

$$\xi_{\text{min}}[\Omega \ll |\Theta|] = \frac{|\bar{\delta}_\gamma|}{1 + \sqrt{\bar{\delta}_\gamma^2 + 1}}, \quad (29)$$

$$\zeta_{\text{min}}[\Omega \ll |\Theta|] = \frac{1}{2} \arctan \bar{\delta}_\gamma. \quad (30)$$

Second, for $\Omega \gg \Theta$, the coupling constant \mathcal{K} tends to zero and the output state becomes vacuum. *Third*, for $\Omega \sim |\Theta|$, the system goes through a resonance, with strong squeezing and highly frequency-dependent squeeze angle, if Θ is real, and goes through a smooth transition if Θ is purely imaginary.¹

Consequently, we obtain a frequency-independent ponderomotively squeezed source with squeeze factor (29) (which depends only on the detuning parameter $\bar{\delta}_\gamma$), and bandwidth Θ . Although the squeeze factor ξ_{min} can be lowered indefinitely by taking $\bar{\delta}_\gamma \rightarrow 0$, the bandwidth Θ will also drop in this process, according to Eq. (18)—unless input power and/or cavity finesse are increased.

As discussed in the introduction, such a squeezed state can be transformed into frequency-dependent squeezed states by optical filters [8,9,11,13,16]. Technically, the independence in frequency makes it easier to reduce laser noise, allowing broad-band squeezing, as we shall discuss in Sec. IV D; it also simplifies our readout scheme.

C. Susceptibility to force noises

Let us now take into account the influence of noisy external forces [cf. (21)]. For the same \bar{F}_{ext} , if we denote the mirror's response, *in the absence of optical rigidity*, by $\bar{x}^{(0)}$, then the mirror's response in the presence of optical rigidity can be written as

$$\bar{x} = - \frac{\Omega^2}{\Theta^2 - \Omega^2} \bar{x}^{(0)}, \quad (31)$$

which is suppressed by a factor Ω^2/Θ^2 , when $\Omega \ll \Theta$. On the other hand, the transfer function from mirror motion to output optical field is not modified in any special way by the optical spring [cf. Eq. (16)]. In the end, optical-field fluctuations caused by external forces on the mirror at the output port of an optical-spring system is suppressed by the same factor Ω^2/Θ^2 from a free-mass system with comparable circulating power, optical bandwidth, and external force disturbances.

This dramatic suppression, which applies to seismic noise and all thermal noises, can easily be as large as two orders of

¹In reality, we must also consider the influence from a controller, which is necessary for stabilizing the detuned cavity, see Secs. II D and IV C.

magnitude in amplitude, and is the most important reason for choosing an optical spring system as our candidate design for the ponderomotive squeezer. Theoretically, such a suppression is present even when a mechanical spring is used. However, mechanical springs introduce thermal noise, which are in general orders of magnitude higher than the vacuum noise associated with optical springs [23,24].

D. Radiation-pressure-driven instabilities

The quasistatic approximation we used in this section cannot describe the ponderomotive damping associated with optical rigidity. The sign of this damping is known to be opposite to that of the rigidity [22]. In case we have a positive rigidity, the damping will then be negative, leading an oscillatory instability at the resonance frequency, Θ , with a characteristic time

$$\tau_{\text{instab}} = \frac{\gamma(1 + \bar{\delta}_\gamma^2)}{2\Theta^2}. \quad (32)$$

It can, therefore, be suppressed by a feedback system acting in restricted band $\Theta \pm 1/\tau_{\text{instab}}$, which is outside of our frequency band of interest $\Omega \ll \Theta$. The control system for suppressing this instability is detailed in Sec. IV C.

High circulating power in the detuned cavities, coupled with high quality factor (Q) mechanical modes of the mirrors, may give rise another type of radiation-pressure induced instability [25]. The motion of the mechanical modes of the mirror creates phase modulation of the intracavity field, which are converted into intensity modulation due to the detuning of the cavity. The intensity fluctuations, in turn, push back against the mechanical modes of the mirror. This mechanism forms an optical feedback loop that may become unstable in certain circumstances. In our case, the most likely form of instability is that in which the frequency of the mechanical mode is comparable to the cavity linewidth. This instability, which has been experimentally observed and characterized for the input mirror modes of our experiment [26], is well outside the bandwidth of our experiment, and stabilizing it with a narrow band velocity damping loop should have little effect on the experiment. The modes of the end mirror are likely to be too high in frequency (compared to the cavity linewidth) to become unstable.

Radiation-pressure-induced torques can also lead to angular instability. Fabry-Perot cavities with suspended mirrors are susceptible to a dynamical tilt instability [27]: as the cavity mirrors tilt, the beam spots also walk away from the center of the mirrors, which induces a torque that drives the mirrors further away. This effect is considered in detail in Sec. III A.

E. Optical losses

When a cavity with nonzero losses is considered, the noise spectrum at the ζ quadrature becomes

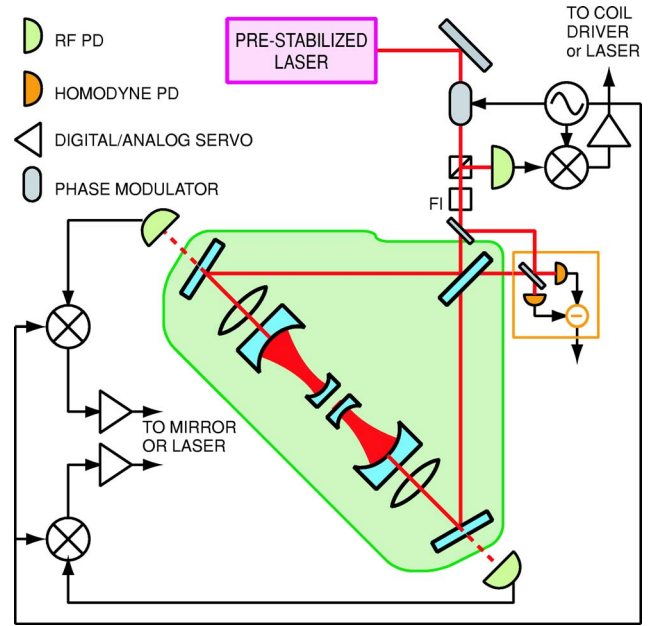


FIG. 1. (Color online) Schematic of an interferometer designed to extract ponderomotively squeezed light due to radiation-pressure-induced motion of the low-mass end mirrors. Light from a highly amplitude- and phase-stabilized laser source is incident on the beam splitter. High-finesse Fabry-Perot cavities in the arms of the Michelson interferometer are used to build up the carrier field incident on the end mirrors of the cavity. All interferometer components in the shaded triangle are mounted on a seismically isolated platform in vacuum. The input optical path comprises a pre-stabilized 10 Watt laser, equipped with both an intensity stabilization servo and a frequency stabilization servo. FI is a Faraday isolator.

$$S_\zeta^{\text{loss}}(\Omega) = \frac{T_I S_\zeta(\Omega) + \mathcal{A}}{T_I + \mathcal{A}}, \quad (33)$$

where $S_\zeta(\Omega)$ is the lossless noise spectrum of Eq. (26), and \mathcal{A} is the total loss per bounce in the cavity. Assuming that $\mathcal{A}/T_I \ll \xi_{\text{min}}$ and $\mathcal{A} \ll T_I$, we have

$$\xi_{\text{min}}^{\text{loss}}(\Omega) \approx \xi_{\text{min}}(\Omega) + \frac{\mathcal{A}}{2T_I}. \quad (34)$$

III. EXPERIMENTAL DESIGN

In this section we describe the optical and mechanical design of a realistic experimental setup for the ponderomotive squeezer. The interferometer configuration shown in Fig. 1 is the baseline design for the experiment. The interferometer is similar to that used in GW detection: a Michelson interferometer with Fabry-Perot cavities in each arm. All the mirrors of the interferometer are suspended as pendulums. While squeezed light could be produced with the use of a single cavity and suspended mirror, as shown in Sec. II, the use of interferometry is necessary to introduce common mode rejection of the laser noise, which would otherwise mask the squeezed light. Moreover, dark fringe operation of the Michelson interferometer allows for keeping the dc

TABLE I. Select interferometer parameters and the nominal values we assume for them.

Parameter	Symbol	Value	Units	Parameter	Symbol	Value	Units
Light wavelength	λ_0	1064	nm	Input mirror transmission	\mathcal{T}_I	8×10^{-4}	
Input mirror mass	M_I	0.25	kg	End mirror mass	M_E	1	g
Arm cavity finesse	\mathcal{F}	8×10^3		Loss per bounce	$\mathcal{A}/2$	5×10^{-6}	
Input power	I_0	4	W	Arm cavity detuning	δ	1.8×10^4	rad/sec
Arm cavity circulating power	W	9	kW	Arm cavity length	L	1	m
BS refl. imbalance	Δ_{BS}	0.01		Michelson phase imbalance	$\Delta\alpha_M$		
Michelson loss imbalance	$\Delta\epsilon_M$			Input mirror mismatch	Δ_T	25×10^{-6}	
Detuning mismatch	Δ_δ	10^{-6}	λ_0	Arm cavity loss mismatch	Δ_ϵ	5×10^{-6}	
Laser intensity noise		10^{-8}	$\text{Hz}^{-1/2}$	Laser phase noise		10^{-6}	
Suspension resonant frequency	Ω_0	0.7	Hz	Suspension mechanical Q	Q	10^5	
Parallel coating loss angle	ϕ_{\parallel}	4×10^{-4}		Perpendicular coating loss angle	ϕ_{\perp}	4×10^{-4}	
Substrate Young's modulus	Y	7.3×10^{10}	N m^{-2}	Coating Young's modulus	Y'	1.1×10^{11}	N m^{-2}
Coating thickness	d	10	μm	Beam radius	w	1	mm
Detection loss	ϵ_{det}	0.1		Temperature	T	293	K

power below photodetector saturation levels.²

We consider the design features most critical to the goal of achieving measurable levels of squeezing. The optical design, described in Sec. III A, includes the following.

(a) A powerful input laser beam with stringent but achievable requirements on frequency and intensity stability to mitigate the effects of laser noise coupling.

(b) A Michelson interferometer with good contrast for common-mode rejection of laser noise at the output.

(c) Fabry-Perot cavities with

(i) high finesse to realize the large optical power incident on the suspended mirror,

(ii) substantial detuning (comparable to the cavity linewidth) to create the optical spring,

(iii) a geometric design that mitigates the effects of radiation-pressure-induced angular instability.

(d) An efficient readout chain to detect the squeezing.

The mechanical design of the mirror oscillator, also crucial to the performance of the interferometer, is described in Sec. III B.

A. Optical design

The optical configuration is shown in Fig. 1, and upper section of Table I lists the optical parameters that we assume in designing the experiment.

1. Detuned arm cavities

The optical spring is the predominant feature of the detuned arm cavity—which has been analyzed in detail in Sec. II. In particular, when a cavity is detuned, the optical spring modifies the response function of the differential mode from a free mass (here we ignore the pendulum frequency) to a harmonic oscillator with resonant frequency Θ [see Eq.

(18)]. Our frequency band of interest is $\Omega \ll \Theta$, in which the response of cavity lengths to external disturbances (e.g., driven by seismic and/or thermal forces) is suppressed by Θ^2/Ω^2 , and the (ideal) output state is a frequency-independent squeezed vacuum with squeeze factor as a function of $\bar{\delta}_\gamma = \delta/\gamma$ [Eq. (29)]. Based on this qualitative understanding, in order to obtain a substantial squeeze factor up to around 1 kHz, we need to choose an optical configuration such that Θ is at least several kHz, and δ of the same order of magnitude as γ . This lead us to a high-power, low-mass, substantially detuned arm cavity.

We have chosen to realize our optical-spring squeezer by a Michelson interferometer with Fabry-Perot cavities formed by a large, suspended mirror as the input mirror (IM), and a small, light, highly reflective mirror as the end mirror (EM). The EM is chosen to be 1 g, as light as we deem possible with current experimental techniques. We note that the optical spring could also be created with a detuned signal recycling mirror, as is done in Advanced LIGO, but that would require an additional mirror and optical cavity, increasing the complexity of the system. The suspensions are primarily necessary to allow the mirrors to behave as free masses in the experimental frequency band, but also have the added benefit of isolation from seismic noise. To achieve these benefits, a pendulum resonant frequency of 0.7 Hz is chosen. The arm cavities must be placed in vacuum chambers due to the high finesse and circulating power, and also to meet the length stability requirements. The mechanical design of the suspension of the end mirror is discussed in the next section.

Next we discuss the optical parameters of system. We first set an “ideal” target squeeze factor of 17 dB, i.e., the squeeze factor of the system in absence of optical losses and technical noises. This allows for the contribution of the vacuum fluctuations from the anti-symmetric port to the total noise to be small. This determines $\delta_\gamma \approx 0.31$. As a next step, we fix the finesse of the arm cavity, which should be high because we would like to have the optical-spring resonance Θ as high as possible, for a better noise suppression. Although this

²An alternative would be to use much lower input power and much higher finesse cavities, which is generally not feasible.

TABLE II. Moments of inertia of the mirrors along their tilt axes. We model each mirror as a cylinder with radius r and thickness T , and $J=Mr^2/4+MT^2/12$. Circulating powers of 9 kW are assumed.

k	r (cm)	T (cm)	M_k (g)	J_k (g cm ²)	$\omega_k/(2\pi)$ (Hz)
IM	4.25	2.00	250	1211	0.11
EM	0.60	0.30	1.00	0.098	12.4

could be achieved by increasing input power alone, it is much more efficient to increase the finesse, because $\Theta \propto \sqrt{I_0}/T$, see Eq. (18), note that we need to maintain for a fixed target squeeze factor; a higher *input power* is also undesirable because of the associated increase in amplitude and phase noise. On the other hand, cavities with too high a finesse will limit the output squeeze factor through increased optical losses, and will also increase the instability from the optical spring. In the end, we set the transmission of the input mirror to be 800 ppm, which, if assumed to be the dominant loss in the cavity, gives a finesse of 8×10^3 . In this system, for a 4 W input laser power, we have a circulating power of roughly 9 kW, and $\Theta \approx 2\pi \times 5$ kHz.

2. Angular instability

Our discussion of the optical properties of the cavities so far has been restricted to the longitudinal resonances. In this section we consider the geometrical properties of the cavity, necessary to avoid angular instability due to radiation-pressure-induced torque [27]. For a cavity with two spherical mirrors, the equations of motion of the two mirrors are rather straightforward, if the motion frequency is much lower than the cavity bandwidth (which is trivially true in our case). Suppose $\theta_{I,E}$ are the tilt angles of two mirrors with radii of curvature $R_{I,E}$, separated by L , then the equations of motion of $\theta_{I,E}$ are given by (here and henceforth we denote IM by I and EM by E)

$$\begin{pmatrix} \ddot{\theta}_I \\ \ddot{\theta}_E \end{pmatrix} = \mathbf{M} \begin{pmatrix} \theta_I \\ \theta_E \end{pmatrix}, \quad (35)$$

with

$$\mathbf{M} = \frac{1}{1 - g_I g_E} \begin{pmatrix} g_E \omega_I^2 & -\omega_I^2 \\ -\omega_E^2 & g_I \omega_E^2 \end{pmatrix} - \begin{pmatrix} \Omega_I^2 & 0 \\ 0 & \Omega_E^2 \end{pmatrix}. \quad (36)$$

Here $\Omega_{I,E}$ are the resonant frequencies of the tilt degrees of freedom of the mirrors in the absence of radiation pressure,³ and $g_{I,E}$ are the g -factors, defined by

³We consider two types of tilt angles, *pitch* and *yaw*, described in Sec. III B for our mirrors. In the ideal situation, pitch and yaw are orthogonal degrees of freedom and can be considered separately. The resonant frequencies of the IMs and EMs when they are “free” masses, $\Omega_{I,E}$, will, however, differ from each other, as will the pitch and yaw mode frequencies for each optic.

$$g_k = 1 - \frac{L}{R_k}, \quad k = I, E. \quad (37)$$

The angular frequencies when radiation pressure forces are present, $\omega_{I,E}$ are given by

$$\omega_k^2 \equiv \frac{2WL}{cJ_k}, \quad k = I, E, \quad (38)$$

where J_k are the moments of inertia of each mirror along the tilt axis under consideration. These frequencies set the time scales of tilt-induced dynamics associated with each mirror. In Table II, we list the relevant parameters for our IM and EM, along with the resulting ω_k . Note that ω_E does seem to be in a regime (a few Hz) where we must worry about tilt instability. As pointed out by Sidles and Sigg [27], in the absence of external restoring forces (i.e., as $\Omega_{I,E} \rightarrow 0$), we have

$$\det \mathbf{M} = -\omega_I^2 \omega_E^2 (1 - g_I g_E) < 0, \quad (39)$$

which means \mathbf{M} always has one positive eigenvalue (pure instability) and one negative eigenvalue (stable resonant mode). On the other hand, the $\Omega_{I,E}$ terms, if large enough, will stabilize the system.

Let us first examine the case without external restoring force. The resonant frequencies are in general given by

$$\omega_{\pm}^2 = \frac{1}{2(1 - g_I g_E)} - (g_E \omega_I^2 + g_I \omega_E^2) \pm \sqrt{(g_E \omega_I^2 + g_I \omega_E^2)^2 + 4(1 - g_I g_E) \omega_I^2 \omega_E^2}. \quad (40)$$

Noticing that we have $\omega_I^2/\omega_E^2 \approx 8 \times 10^{-5} \ll 1$, we can expand the unstable resonant frequency up to the leading order in ω_I^2/ω_E^2 . We also must require that g_E is not very close to 0 ($|g_E| \gg \omega_I^2/\omega_E^2$). Now if we pay attention only to ω_{-}^2 , which is the unstable resonant frequency, then we have

$$\omega_{-}^2 = \begin{cases} -\frac{g_I \omega_E^2}{1 - g_I g_E}, & g_I g_E > 0, \\ \frac{\omega_I^2}{g_E}, & g_I g_E < 0. \end{cases} \quad (41)$$

This confirms, in our special case, that cavities with negative g factors are less unstable, as argued by Sidles and Sigg [27]. Moreover, each mirror itself, when the other mirror is held fixed, is stable in the case of negative g factors (since diagonal elements in \mathbf{M} are both negative).

Now let us study the stability when external restoring forces are available. In general the resonant frequencies ω are given by

$$\det(\mathbf{M} + \omega^2 \mathbf{I}) = 0. \quad (42)$$

The stability condition can be stated more formally as having \mathbf{M} negative definite, which means requiring

$$(1 - g_I g_E) \omega_I^2 - g_E \omega_I^2 > 0, \quad (43)$$

$$(1 - g_I g_E) \omega_E^2 - g_I \omega_E^2 > 0, \quad (44)$$

$$\det \mathbf{M} > 0, \quad (45)$$

with

$$\begin{aligned} & \det \mathbf{M} > 0 \\ \Leftrightarrow & \left(\omega_I^2 - \frac{g_E \omega_I^2}{1 - g_I g_E} \right) \left(\omega_E^2 - \frac{g_I \omega_E^2}{1 - g_I g_E} \right) > \frac{\omega_I^2 \omega_E^2}{(1 - g_I g_E)^2}. \end{aligned} \quad (46)$$

For negative g -factor cavities, which start out to be less unstable, the stabilization is easy: Eqs. (43) and (44) are automatically satisfied (since the diagonal elements are already negative in absence of external restoring force), while Eq. (46) can be satisfied without requiring any EM external stabilization, if

$$\Omega_I > \omega_I / |g_I| \quad (47)$$

Stabilization is less straightforward for positive g -factor cavities: $\Omega_{I,E}$ will have to be at least of the same order as $\omega_{I,E}$, unless we fine-tune $g_{I,E}$. For example, Eqs. (43) and (44) already impose

$$\Omega_{I,E} > \sqrt{\frac{g_{2,1}}{1 - g_1 g_E}} \omega_{I,E}, \quad (48)$$

which suggests that Ω_E will have to be at least comparable to ω_E , unless we make g_I very small, which is undesirable due to decreased stability of spatial optical modes. Defining

$$\Omega_{I,E}^2 = (1 + \sigma_{I,E}) \frac{g_{E,I} \omega_{I,E}^2}{1 - g_I g_E}, \quad (g_{I,E} > 0), \quad (49)$$

the stability condition can be written as

$$\sigma_I > 0, \quad \sigma_E > 0, \quad \sigma_I \sigma_E > \frac{1}{g_I g_E}. \quad (50)$$

For stability reasons, we propose using negative g -factor cavities. To minimize the angular instability and simultaneously maximize the beam spot size at the mirrors in order to reduce the effects of the coating thermal noise, as discussed in Sec. IV B, we propose cavities of length $L \sim 1$ m, with the mirrors having a radius of curvature slightly greater than 0.5 m, in order to have $g \sim -0.8$.

From Eq. (47), we find a stabilizing IM frequency of 0.12 Hz, which is trivially satisfied, to be sufficient to stabilize the system without an active control system.

3. Optical readout

Ideally, the squeezed field would be measured at the antisymmetric port with a homodyne detector. In this setup, a

strong local oscillator (LO) field is mixed on a beamsplitter with the squeezed field, and the two resulting fields are measured by photodiodes and the resulting photocurrents are subtracted, eliminating the component of the signal due to the LO alone. This scheme is advantageous because it allows for an arbitrary quadrature of the squeezed field to be measured, simply by changing the phase of the LO. The disadvantage of this scheme, however, is that the LO field must be much stronger than the carrier component of the squeezed field. Due to mismatches in the system, a portion of the carrier light will couple out the antisymmetric port. With the parameters for contrast defect and other optical imperfection listed in Table I, we expect the carrier light at the output to be on the order of 1 mW. While a LO level that is an order of magnitude larger is readily achievable, we begin to reach the saturation limits of our photodetectors.

An alternative readout scheme is to simply measure the squeezed field with a photodetector. In this scheme, only the amplitude fluctuations of the light exiting the antisymmetric port may be measured. However, our optimization scheme for laser noise, as described in Sec. IV D, has the side effect of aligning the squeezed quadrature with the amplitude quadrature of the light exiting the antisymmetric port. While this limits us to measuring only the amplitude fluctuations of the light, this is precisely the quadrature in which the squeezing occurs. The homodyne readout scheme is preferable, but the direct readout is a viable alternative to avoid power constraints.

In practice, since we wish to control the interferometer degrees of freedom, we use the detection scheme shown in Fig. 4. A small fraction of the antisymmetric port light ($R \ll 1$ in power) is sampled to generate an error signal for the control loop, while the majority is preserved for injection into an interferometer or for detection of squeezing using either the homodyne or direct detection methods described above.

B. Mechanical design

Both the input and end mirrors of the cavities are suspended from pendulums. The input mirrors have a mass of 250 g and a 75 mm diameter; they are identical to the suspended optics used in the input modecleaner of the initial LIGO detectors [28]. Greater care must be taken in the suspension of the end mirrors of the cavities, however—due to their small mass of 1 g, the EMs have greater susceptibility to thermal noise. We use a monolithic fused silica suspension, in which thin fused silica fibers are welded to the side of the mirror substrate using a CO₂ laser. This technique has been demonstrated to produce a pendulum mode Q of approximately 10^7 [29]. The suspension design consists of two fibers, each approximately 10 μm in diameter, welded or glued to the mirror, as shown in Fig. 2.

To maintain high circulating power in the arm cavities, and minimize interference from higher-order spatial modes, alignment of the mirror is critical. Controlling the pitch (rotation about the horizontal diameter of the mirror) is a particularly important consideration, since we expect large pitch angles due to static displacement of the EM with 9 kW of

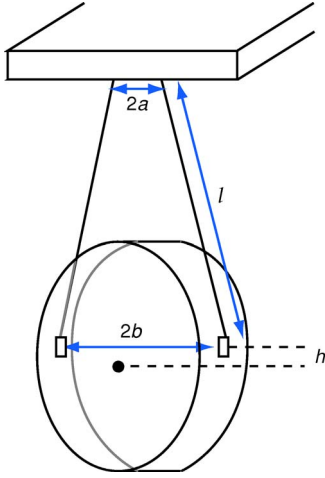


FIG. 2. (Color online) Front and side view of the end mirror suspension. The dot represents the center of mass of the mirror. The fibers are attached to a point a distance h , which could be negative, above the mirror center of mass. The distance between the attachment points at the mirror is $2b$, and at the top of the suspension is $2a$. Not drawn to scale.

laser power impinging on it. The frequency of the pitch mode is determined by the location of the attachment point between the fiber and the mirror substrate, and the diameter of the fiber [30]. For our regime of fiber lengths, typically 0.5 m, the frequency of the pitch mode frequency, is approximately

$$\omega_{\text{pitch}} = \sqrt{\frac{T(h + \Delta)}{J_{\text{pitch}}}}, \quad (51)$$

assuming $\Delta + h \ll l$, where Δ is the characteristic length at which the fiber bends above its attachment point, h is the distance of the attachment point from the mirror center of mass, l is the length of the suspension wire, T is the tension in the fiber, and J_{pitch} is the moment of inertia for the pitch degree of freedom (given in Table II). A higher frequency, ω_{pitch} , will require a larger force to control the pitch of the mirror. Minimizing the necessary force, and hence $\Delta + h$ is desirable to limit the actuator range. For fibers with a diameter of $100 \mu\text{m}$, $\Delta \approx 8.5 \text{ mm}$, while for $10 \mu\text{m}$, $\Delta \approx 8.5 \times 10^{-2} \text{ mm}$. In the $100 \mu\text{m}$ case, it would be impossible to make $\Delta + h$ smaller than a few millimeters, while for the $10 \mu\text{m}$ case, it can be made very small by choosing h appropriately. Consideration of the necessary torques that must be supplied, and the torques that may be generated by actuators, as well as the ability to create and work with thin fibers, leads to a choice of fiber diameter of approximately $10 \mu\text{m}$. Taking $\Delta + h = 100 \mu\text{m}$, $J_{\text{pitch}} = 0.098 \text{ g cm}^2$, $T = 98 \text{ dyne}$, we get $\omega_{\text{pitch}} \approx 2\pi \times 0.50 \text{ Hz}$. The yaw frequency, again assuming that $\Delta + h \ll l$, is

$$\omega_{\text{yaw}} = \sqrt{\frac{2Tab}{lJ_{\text{yaw}}}}, \quad (52)$$

where $2a$ is the separation between attachment points of the fibers at the top end of the suspension, $2b$ is the distance between the attachment points on either side of the mirror,

and J_{yaw} is the moment of inertia for the yaw degree of freedom. For $a = 6 \text{ mm}$, $b = 3 \text{ mm}$, $J_{\text{yaw}} = 0.098 \text{ dyne}$, we get $\omega_{\text{yaw}} \approx 2\pi \times 0.43 \text{ Hz}$.

Control of the longitudinal motion of the end mirror is a difficult task. When the 9 kW of power in the cavity is incident on the end mirror, the mirror feels a constant force, which must be balanced. We choose to balance the constant (dc) radiation pressure force with gravity. When the mirror is displaced by a few millimeters from its equilibrium (with no laser present), for a given (fixed) pendulum length, the gravitational restoring force will be equal to the constant radiation pressure force. In order to lock the cavity at full power, we propose the following scheme: First, we use an electromagnetic actuator to offset the mirror the required distance from its equilibrium position. Next, we lock the cavities with very small circulating powers, such that the radiation pressure forces are negligible. We slowly increase the power in the system, which increases the radiation pressure forces on the mirrors. Simultaneously, we reduce the pulling force of the actuator, which will be counteracted by the increasing radiation pressure force, keeping the mirror at a fixed position. When the power reaches its design value, the mirror is held in place by a balance of the radiation pressure, gravitational restoring, and electromagnetic forces. This provides a way of controlling the longitudinal degree of freedom of the mirror.

IV. NOISE COUPLINGS

In this section, we estimate the contribution of expected noise sources to the total noise budget. These include thermal noise from the suspended mirrors (including thermal noise from the optical coatings on the substrates), as well as laser intensity and phase noise. In Fig. 3, we show the spectral density of the dominant noise sources both in terms of noise power relative to the vacuum level in a given quadrature, and also in terms of (free mass) displacement, which does not include the suppression from the optical spring. Furthermore, we shall see that the coupling of laser noise has a very strong dependence on the quadrature to be measured. Careful choice of the measurement quadrature is critical to successful extraction of the squeezing; this is analyzed in Sec. IV D.

A. Suspension thermal noise

Applying the fluctuation dissipation theorem [31] to an object of mass M that is suspended from a pendulum with mechanical quality factor Q and resonant frequency Ω_R , we get the free mass displacement noise spectrum [32]

$$S_{\text{susp}}(\Omega) = \frac{4k_B T}{M\Omega Q} \frac{\Omega_R^2}{(\Omega_R^2 - \Omega^2)^2 + \frac{\Omega_R^4}{Q^2}}, \quad (53)$$

where T is the temperature and k_B is the Boltzmann constant. The monolithic fused silica suspension, described in Sec. III B, is used primarily to reduce ϕ . Metal wires and alternative methods of attachment have higher losses, which would make the suspension thermal noise more severe. As shown in the curve labeled “suspension thermal” in Fig. 3,

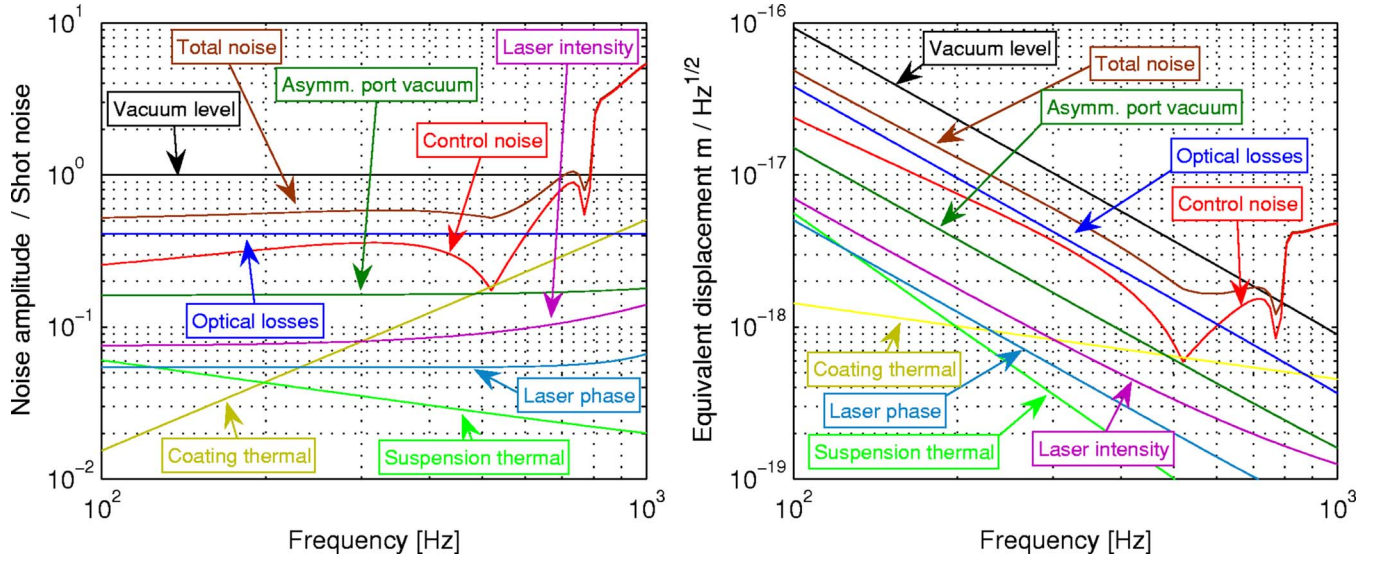


FIG. 3. (Color online) Left panel, the different noise sources relative to the vacuum level, as a function of frequency. The dominant noise below 1 kHz is optical losses, which are primarily comprised of detection losses (10%) and the optimization losses (13% in one arm). Right panel, the same noise sources in terms of equivalent displacement of a free mass (the displacement noise that each noise source would exhibit if the optical spring were not present). We estimate that a sensitivity of $5 \times 10^{-16} \text{ m Hz}^{-1/2}$ is necessary to measure squeezing at 100 Hz, and the required sensitivity drops as frequency to the second power at higher frequencies.

the monolithic fused silica suspension will place the suspension thermal noise at a level where it does not have any measurable effect on the experiment.

B. Internal and coating thermal noise

The free mass displacement noise spectrum due to internal and coating thermal noise has been approximated as [33]

$$S_{\text{ICTN}}(f) = \frac{2k_B T}{\pi^{3/2} f w Y} \left[\phi_{\text{substrate}} + \frac{d}{w\sqrt{\pi}} \left(\frac{Y'}{Y} \phi_{\parallel} + \frac{Y}{Y'} \phi_{\perp} \right) \right]. \quad (54)$$

We assume that

$$\phi_{\text{substrate}} \ll \frac{d}{w\sqrt{\pi}} \left(\frac{Y'}{Y} \phi_{\parallel} + \frac{Y}{Y'} \phi_{\perp} \right),$$

so that the dominant thermal noise is due to the optical coating. Using the parameters listed in Table I, we calculate the coating thermal noise shown in Fig. 3. We note that the coating thermal noise is potentially a limiting noise source near 1 kHz.

C. Control system noise

As discussed in Sec. II D, the optomechanical resonance is unstable, i.e., it grows in time, with typical time scale for instability given by Eq. (32). This instability must be controlled by use of a feedback loop that stabilizes the unstable resonance by a damping-like control force.

Defining $s = j\Omega$, the transfer function $P(s)$ of the pendulum, including the optical spring effect, is given by

$$P(s) = \left(s^2 + \frac{\Theta^2 \gamma^2}{(\gamma + s)^2 + \delta^2} \right)^{-1}. \quad (55)$$

This transfer function is straightforward to interpret; it is the transfer function of an ideal spring, with a spring constant that is filtered by the cavity pole. In the limiting case that $\gamma \gg s$ and $\gamma \gg \delta$, the transfer function of an ideal pendulum is obtained. This transfer is unstable because it has poles in the right half plane (the real part of the pole is greater than 0).

To stabilize this resonance, we apply a velocity damping force via a feedback control system; a schematic for the control system is shown in Fig. 4. Ordinarily, we are interested in the (squeezed) output field b that exits the ponderomotive

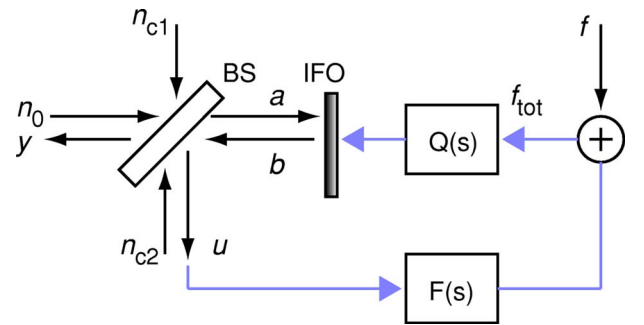


FIG. 4. (Color online) Block diagram for the feedback loop. a and b are the input and output quadrature fields; n_i are vacuum noise fields entering the different port of the beamsplitter (BS) that has power reflectivity R and transmission T . A small fraction of the output (squeezed) field $u = \sqrt{R}b$ is used to generate a shot-noise-limited error signal for a feedback loop to control the position of the differential mode of the ponderomotive interferometer (IFO), while the remainder $y = \sqrt{T}b$ is used to make sub-quantum-noise-limited measurements. The sample beam u is filtered by $F(s)$, a transfer function that converts quadrature fields into force, and $Q(s)$ converts force back into quadrature fields. f are spurious forces that act on the interferometer mirrors.

interferometer (IFO), but we need to detect a small fraction of b to generate a control signal for damping the unstable resonance. We, therefore, insert a beamsplitter (BS) at the IFO output and use the field $u = \sqrt{R}b$ ($R \ll 1$) in a feedback loop. The quadrature field u is converted into a force by the transfer function $F(s)$ and $Q(s)$ converts force to quadrature fields. The velocity damping term is included in $F(s)$. $Q(s)$ contains the force-to-displacement transfer function $P(s)$ [see Eq. (55)], as well as the input-output relation that converts displacement to quadrature field [see, e.g., Eqs. (63) and (64) of Ref. [19]]. The majority of the squeezed field, $y = \sqrt{T}b$, is preserved as a squeeze source. Vacuum noise fields n_0 , n_{c1} , and n_{c2} enter the open ports of the beamsplitter, and must be accounted for in the total noise budget.

Defining the open-loop gain of the feedback system as

$$G(s) = -\sqrt{R}F(s)Q_{\zeta}(s), \quad (56)$$

the squeezed output field \mathbf{y} is given by

$$y_{\zeta} = \frac{\sqrt{T}\mathcal{M}_{\zeta} \cdot \mathbf{a}}{1+G(s)} + \frac{Q_{\zeta}\sqrt{T}}{1+G(s)}\mathbf{f} + \frac{TG(s)}{1+G(s)}\frac{1}{\sqrt{R}}(n_{c1})_{\zeta} - \sqrt{R}(n_{c1})_{\zeta}, \quad (57)$$

where \mathcal{M} is a matrix operator that converts the input field \mathbf{a} to the output \mathbf{b} , Q converts forces into quadrature fields, and the subscript ζ denotes the projection on the quadrature to be measured. Equation (57) warrants some discussion. The first term contains the squeezed output due to the input field \mathbf{a} . In order to realize the squeezing without the influence of the control system, it is necessary to make $G(s)$ as small as possible in the band where squeezing is to be measured. Similarly, when $G(s) \gg 1$, the last term dominates and R should be kept small to couple as little of the vacuum noise $(n_{c1})_{\zeta}$ to the output y_{ζ} .⁴ Finally, to stabilize the optomechanical resonance, we need to introduce a damping term to $P(s)$ [implicitly included in $G(s)$]. We propose a filter transfer function that is equivalent to applying a velocity damping,

$$F = \frac{-s\gamma_d}{\sqrt{R}}, \quad (58)$$

where γ_d is a damping constant chosen to stabilize the system. The open loop gain then becomes

$$G(s) = s\gamma_d \left(s^2 + \frac{\Theta^2\gamma^2}{(\gamma+s)^2 + \delta^2} \right)^{-1}. \quad (59)$$

In addition to stabilizing the optomechanical resonance, we must minimize the additional noise due to vacuum fluctuations that are introduced by the new beamsplitter. We consider only the newly introduced vacuum noise that is detected by the feedback detector, which is then fed back onto the position of the pendulum and thereby enters the signal detected by the squeeze detector. We neglect the correlations

⁴We do not combine the last two terms containing $(n_{c1})_{\zeta}$ because we will assume that those two terms are uncorrelated. This is not true, but will at worst give an underestimation by a factor of 2 of the noise, and for the cases when $|G| \ll 1$, the error is much smaller.

between these vacuum fluctuations that enter directly at the beamsplitter with those that enter through the feedback loop. This is a valid assumption for frequencies at which $|G(s)| \ll 1$, which is the case in our measurement band. Assuming that the feedback detection is shot-noise limited, then the power spectral density of the additional noise, relative to shot noise, is

$$S_n \leq \sqrt{\left| \frac{G(s)}{1+G(s)} \right| \left| \frac{1}{\sqrt{R}} + \sqrt{R} \right|} \quad (60)$$

[see the last two terms in Eq. (57), with $R \ll 1$ so that $\sqrt{1-R} \approx 1$]. Choice of 3% to 10% for the nominal value of R gives acceptable levels of loss for the squeezed output beam, while allowing for feedback. We note that for the case $|G(s)| \geq 1$, that these expressions are not valid, and a detailed calculation of the correlations must be done. The correlation between the last two terms in Eq. (57) depends on the quadrature being measured to do the feedback; we assume the worst case scenario for the noise, namely that the two terms add in amplitude.

In order to keep the coupling of vacuum noise n_{c1} into y_{ζ} at a minimum, we must make the loop gain $G(s)$ as small as possible at frequencies within the squeezing measurement band (about 100 Hz to 1 kHz), while still having sufficient gain at the optomechanical spring resonance frequency (typically 5 kHz). We achieve this by including a sharp high-pass filter in $F(s)$, typically an elliptic filter with high-pass corner frequency at a several 100 Hz to preserve phase margin at the optical spring resonance. The resulting contribution to the overall noise budget is shown as the curve labeled “control noise” in Fig. 3, where we set $\gamma_d = 7 \times 10^4 \text{ s}^{-1}$, $R = 3\%$, and a fourth-order elliptic high-pass filter with cutoff frequency at 800 Hz. A detailed analysis of the control system can be found in Ref. [34].

D. Laser noise

Laser intensity and frequency noise couple to the output port of the interferometer through imperfections and mismatch in the optical parameters of the interferometer. Analytic calculation of such noise couplings were carried out in Ref. [19]. The calculations lead to complex formulas that, in our opinion, do not provide much insight into the couplings, except the following qualitative features. For frequencies much below Θ and γ , and up to leading order of $\Theta L/c$, $\gamma L/c$, and $\delta L/c$, phase and amplitude noises both emerge in single quadratures (as a result, there exist a phase-noise-free quadrature, and an amplitude-noise-free quadrature). The phase noise does not drive mirror motion, and emerges at the output at an orthogonal quadrature to the carrier leaking out from that port (i.e., the carrier coincides with the phase-noise-free quadrature). The amplitude noise, on the other hand, drives mirror motion, and emerges in a quadrature neither along nor orthogonal to the carrier. Different types of mismatches direct laser amplitude and phase noises into different output quadratures. Up to linear order in mismatch, the output phase (amplitude) noise can be expressed in the quadrature representation as a sum of quadrature vectors, each arising from one type of mismatch.

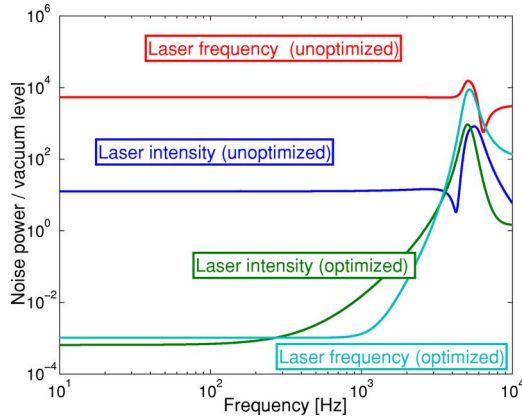


FIG. 5. (Color online) The coupling of laser noise to the anti-symmetric port is shown for the unoptimized and optimized cases. The optimized case includes a Michelson detuning and intentional loss in one of the arms.

In full numerical results, we did not observe phase-noise-free and amplitude-noise-free quadratures, but instead found output quadratures in which contributions from one of the two laser noises has a rather deep minimum. The minimum-phase-noise and minimum-amplitude-noise quadratures do not generically agree with each other, nor do they generically agree with the minimum-quantum-noise quadrature. However, we have discovered that it is possible, by intentionally introducing controlled mismatches, to modify the quadrature dependence of both of the output laser noises in such a way that both the minimum-phase-noise and minimum-amplitude-noise quadratures align with the minimum-quantum-noise quadrature. Such a procedure greatly reduces the importance of the laser noise, *as far as the noise in the minimum noise quadrature is concerned*. This is shown in Figs. 5 and 6, using our fiducial parameters in Table III.

Let us describe the optimization procedure in more detail. Through the numerical simulation [19], we determine that the noise quadratures may be optimized through two steps,

as shown in Fig. 6. The first step is to detune the Michelson from the dark fringe. The optimal position for the Michelson detuning is that which aligns the minimum-amplitude-noise quadrature to the minimum-quantum-noise quadrature. The second step is to introduce an intentional loss into one arm of the Michelson, placed artificially between the beamsplitter and one of the arm-cavity mirrors, such that both minimum-amplitude-noise and minimum-phase-noise quadratures would align with the minimum-quantum-noise quadrature. Interestingly, since the minimum-phase-noise quadrature coincides with the carrier quadrature leaking out from the output port, the resulting squeezed output light is amplitude squeezed.

As it turns out, the required artificial loss can be quite large; for our fiducial parameters in Table I, the optimal loss is approximately 10%. Such a large loss will noticeably limit the amount of squeezing that may be detected, but the reduction in the laser noise is necessary to measure any squeezing at all. As shown in Figs. 5 and 6, the laser amplitude noise (as measured in the squeezed quadrature) is reduced by more than 40 dB and the laser frequency noise by more than 60 dB in this process—both of them now are far below the quantum noise level.

It is difficult to predict exactly the mismatches that will be present in the physical experiment. Rather than making *a priori* predictions for the intentional mismatch needed to optimize the noise couplings, we plan to perform this optimization empirically. We estimate that the ability to control the loss at the level of 0.1% and the detuning at the level of $10^{-4} \delta_\gamma$ is sufficient for the optimization.

Although we have greatly reduced the laser noise in the ideal quadrature, we have not reduced its overall magnitude. This presents a limitation because we must control the quadrature measurement angle to be precisely at the ideal quadrature. Small fluctuations in this measurement angle will couple noise in from the orthogonal quadrature, where the noise is much larger. This is evident from the sharp features in Fig. 6, which shows that the margin for error in the mea-

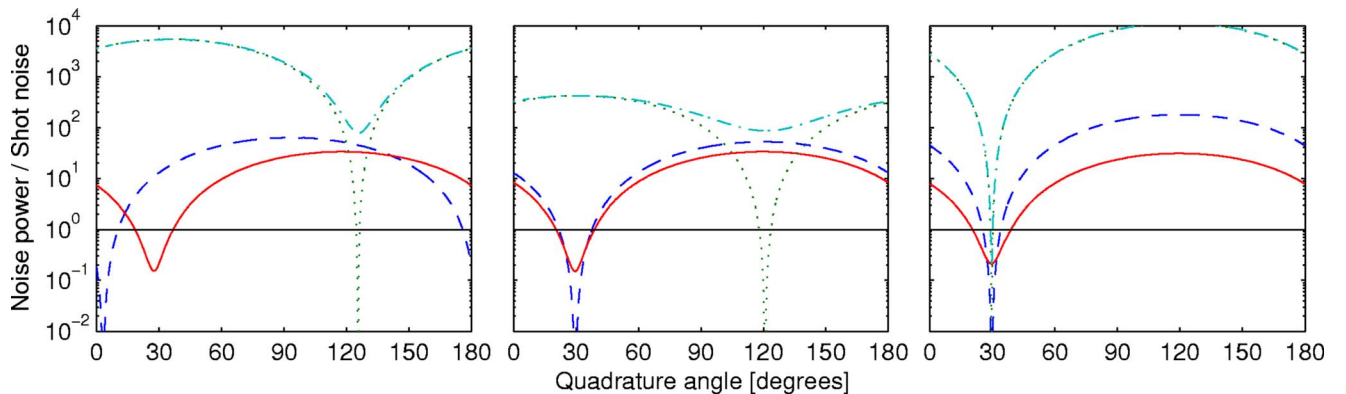


FIG. 6. (Color online) The coupling of laser and antisymmetric port noise to the output as a function of the homodyne measurement quadrature for the unoptimized case. The solid (red) curves represent the quantum optical noise, the dashed (blue) curves represent laser intensity noise, the dotted (green) curves represent laser phase noise and the dash-dotted (cyan) curves represent the total noise. In (a), the minimal noise quadratures for the different noise sources are not the same. In (b), the minimal noise quadratures for the laser intensity noise and the vacuum fluctuations are now the same. For this case, only a Michelson detuning has been added. In (c), the minimal noise quadratures for the laser intensity noise, laser frequency noise and the vacuum fluctuations are now the same. For this case, a Michelson detuning and a controlled loss in one arm (between the beamsplitter and the input mirror) were used.

TABLE III. Design considerations for select interferometer parameters. Here we tabulate some of the competing effects that led us to the choice of parameters listed in Table I and discussed in Secs. III and IV.

Parameter	Advantages of large value	Advantages of small value
EM mass	Ease of construction Ability to sense and actuate motion	Large optical spring frequency
IM transmission (Cavity finesse)	Large optical spring frequency	Reduce optical spring instability Reduce effective intracavity losses Higher circulating power could damage mirrors
IM mass	Ease of construction Work with existing sizes and solutions	Increase optical spring frequency ^a
Input power	Large optical spring frequency	Use available lasers Stay below damage threshold of cavity mirrors
Detuning or δ_γ	Optimize $\delta_\gamma=1/\sqrt{3}$ for largest squeezing bandwidth	Use smaller δ_γ to increase squeezing level
Spot size on EM	Reduce coating thermal noise	Reduce angular instability of cavity
Cavity length	For fixed beam size on mirror surfaces, longer length increases suppression of higher order spatial modes Larger mirror radii of curvature easier to manufacture	Reduce instability of optomechanical resonance

^aMaking the IM mass the same as that of the EM, for example, would increase the optical spring resonance frequency by $\sqrt{2}$.

surement quadrature is quite narrow due to the laser frequency noise.

E. Quantum noise and losses

The quantum noise, due to output port vacuum fluctuations and optical losses, are also calculated using the noise simulation code [19]. Considering only the noise that enters through the output port, and neglecting other noise sources, including optical losses, the vacuum field is squeezed by 17 dB inside the interferometer.

Next, we include optical losses at the levels given in Table I. In particular, our simulation code has automatically taken into account intracavity losses, losses due to transmission through the IMs, losses of the beamsplitter, losses into the common mode due to mismatches, and artificial losses introduced to mitigate laser noise in the detected quadrature. These together lead to a noise spectrum at the level of ~ 7 dB below shot noise (see Fig. 3). We expect this to be the limit to measurable squeezing in most of our frequency band.

F. Summary of design considerations

Considerations of the detailed parameters of the experiment is a sequence of trade-offs between achieving high levels of squeezing and keeping the noise couplings to a minimum. In Table III we summarize the highly intertwined and often conflicting considerations that informed the design in the preceding sections.

V. SUMMARY AND CONCLUSIONS

We have presented a design for an interferometer with movable light mirror oscillators, such that the light (and vacuum) fields circulating in the interferometer are squeezed due to the coupling of radiation pressure and motion of the mirrors. We show that even in the presence of reasonable, experimentally realizable optical losses (at the level of 10^{-5} per bounce per optic), thermal noise (associated with oscillators with intrinsic loss factors of order 10^{-7}), and classical laser noise (relative intensity noise at the level of 10^{-8} and frequency noise 10^{-4} Hz/ $\sqrt{\text{Hz}}$), significant levels of squeezing can be extracted from such a device. Specifically, we find that as much as 7 dB of squeezing at 100 Hz is possible, provided great care is exerted to measure the quadrature where the laser noise coupling to the output is minimized, as shown in Fig. 3. We note that the squeezed state produced by this device will be far from a minimum uncertainty state (the noise in the anti-squeezed quadrature relative to the squeezed quadrature is much greater than required by the Heisenberg uncertainty principle). This will place requirements on the stability requirements for any device to which the state is applied.

Two aspects of the design require great care: the optical performance of the high finesse, detuned arm cavities (described in Sec. III A); and the mechanical design of the suspended 1 gram mirror oscillators, where thermal noise must be kept at low, and pitch, yaw and longitudinal degrees of freedom must be controllable by application of external forces outside the measurement band (described in Sec. III B).

This is, to our knowledge, the first viable design for extracting the squeezing generated by radiation-pressure-

induced rigidity in an interferometer, and construction of this experiment is underway at our laboratory.

ACKNOWLEDGMENTS

The authors thank their colleagues in the LIGO Scientific Collaboration, especially Vladimir Braginsky, Keisuke Goda, Eugeny Mikhailov, and Gregg Harry, for stimulating discussions. The authors gratefully acknowledge support from National Science Foundation Grant Nos. PHY-0107417,

PHY-0300345, PHY-0099568 (for Y.C.), and PHY-0353775 (for F.K. and S.V.). One of the authors (Y.C.) research was also supported by the David and Barbara Groce Fund at the San Diego Foundation, as well as the Alexander von Humboldt Foundation's Sofja Kovalevskaja Grant (funded by the German Federal Ministry of Education and Research). Two of the authors (F.K. and S.V.) research was also supported by the Russian Agency of Industry and Science Contract Nos. 40.02.1.1.1.1137 and 40.700.12.0086, and by Russian Foundation for Basic Research Grant No. 03-02-16975-a.

-
- [1] P. Fritschel, Proc. SPIE **4856–39**, 282 (2002).
 [2] A. Buonanno and Y. Chen, Phys. Rev. D **64**, 042006 (2001).
 [3] B. Barish and R. Weiss, Phys. Today **52**, 44 (1999).
 [4] C. M. Caves, Phys. Rev. D **23**, 1693 (1981).
 [5] V. B. Braginsky and F. Ya. Khalili, *Quantum Measurement* (Cambridge University Press, Cambridge, 1992).
 [6] V. B. Braginsky and F. Ya. Khalili, Rev. Mod. Phys. **68**, 1 (1996).
 [7] W. G. Unruh, in *Quantum Optics, Experimental Gravitation, and Measurement Theory*, edited by P. Meystre and M. O. Scully (Plenum, New York, 1982), p. 647.
 [8] J. H. Kimble, Y. Levin, A. B. Matsko, K. S. Thorne, and S. P. Vyatchanin, Phys. Rev. D **65**, 022002 (2001).
 [9] J. Harms, R. Schnabel, and K. Danzmann, Phys. Rev. D **70**, 102001 (2004).
 [10] V. B. Braginsky and F. Ya. Khalili, Phys. Lett. A **147**, 251 (1990); V. B. Braginsky, M. L. Gorodetsky, F. Ya. Khalili, and K. S. Thorne, Phys. Rev. D **61**, 044002 (2000); P. Purdue, *ibid.* **66**, 022001 (2002).
 [11] P. Purdue and Y. Chen, Phys. Rev. D **66**, 122004 (2002).
 [12] Y. Chen, Phys. Rev. D **67**, 122004 (2003).
 [13] T. Corbitt, N. Mavalvala, and S. Whitcomb, Phys. Rev. D **70**, 022002 (2004).
 [14] M. Xiao, L.-A. Wu, and H. J. Kimble, Phys. Rev. Lett. **59**, 278 (1987).
 [15] K. McKenzie, D. A. Shaddock, D. E. McClelland, B. C. Buchler, and P. K. Lam, Phys. Rev. Lett. **88**, 231102 (2002).
 [16] S. Chelkowski, H. Vahlbruch, B. Hage, A. Franzen, N. Lastzka, K. Danzmann, and R. Schnabel, Phys. Rev. A **71**, 013806 (2005).
 [17] K. McKenzie, N. Grosse, W. P. Bowen, S. E. Whitcomb, M. B. Gray, D. E. McClelland, and P. K. Lam, Phys. Rev. Lett. **93**, 161105 (2004).
 [18] K. Goda, K. McKenzie, E. Mikhailov, P. K. Lam, D. McClelland, and N. Mavalvala, Phys. Rev. A **72**, 043819 (2005).
 [19] T. Corbitt, Y. Chen, and N. Mavalvala, Phys. Rev. A **72**, 013818 (2005).
 [20] H. J. Kimble (private communication).
 [21] C. M. Caves and B. L. Schumaker, Phys. Rev. A **31**, 3068 (1985); B. L. Schumaker and C. M. Caves, *ibid.* **31**, 3093 (1985).
 [22] A. Buonanno and Y. Chen, Phys. Rev. D **65**, 042001 (2002).
 [23] V. B. Braginsky and F. Ya. Khalili, Phys. Lett. A **257**, 241 (1999).
 [24] A. Buonanno and Y. Chen, Phys. Rev. D **67**, 062002 (2003).
 [25] V. B. Braginsky, S. E. Strigin, and S. P. Vyatchanin, Phys. Lett. A **287**, 331 (2001).
 [26] T. Corbitt, D. Ottaway, E. Innerhofer, J. Pelc, and N. Mavalvala (unpublished).
 [27] J. Sidles and D. Sigg (unpublished).
 [28] B. Abbott *et al.* (LIGO Scientific Collaboration), Nucl. Instrum. Methods Phys. Res. A **517**, 154 (2004).
 [29] M. Freytsis, T. Corbitt, D. Ottaway, G. Harry, and N. Mavalvala (unpublished).
 [30] G. González, Class. Quantum Grav. **17**, 4409 (2000).
 [31] H. B. Callen and R. F. Greene, Phys. Rev. **86**, 703 (1952).
 [32] P. R. Saulson, Phys. Rev. D **42**, 2437 (1990).
 [33] G. M. Harry, A. M. Gretarsson, P. R. Saulson, S. E. Kittelberger, S. D. Penn, W. J. Startin, S. Rowan, M. M. Fejer, D. R. M. Crooks, G. Cagnoli, J. Hough, and N. Nakagawa, Class. Quantum Grav. **19**, 897 (2002).
 [34] T. Corbitt, Y. Chen, D. Ottaway, and N. Mavalvala, LIGO Technical Document No. LIGO-T050140-00-R, 2005.