

# Testing Some $f(R,T)$ Gravity Models from Energy Conditions

Flavio Gimenes Alvarenga<sup>1</sup>, Mahouton Jonas Stephane Houndjo<sup>1,2</sup>,  
Adjimon Vincent Monwanou<sup>2</sup>, Jean Bio Chabi Orou<sup>2</sup>

<sup>1</sup>Department of Natural Science, Federal University of Espirito Santo, Sao Mateus, Brazil

<sup>2</sup>Institute of Mathematics and Physical Sciences (IMSP), Porto-Novo, Benin

Email: sthoundjo@yahoo.fr

Received August 17, 2012; revised October 28, 2012; accepted November 18, 2012

## ABSTRACT

We consider  $f(R,T)$  theory of gravity, where  $R$  is the curvature scalar and  $T$  is the trace of the energy momentum tensor. Attention is attached to the special case,  $f(R,T) = R + 2f(T)$  and two expressions are assumed for the function  $f(T)$ ,  $(a_1 T^n + b_1)/(a_2 T^n + b_2)$  and  $a_3 \ln^q(b_3 T^m)$ , where  $a_1, a_2, b_1, b_2, n, a_3, b_3, q$  and  $m$  are input parameters. We observe that by adjusting suitably these input parameters, energy conditions can be satisfied. Moreover, an analysis of the perturbations and stabilities of de Sitter solutions and power-law solutions is performed with the use of the two models. The results show that for some values of the input parameters, for which energy conditions are satisfied, de Sitter solutions and power-law solutions may be stables.

**Keywords:** Modified Gravity; Energy Conditions; Cosmological Stability

## 1. Introduction

It is well known that General Relativity (GR) based on the Einstein-Hilbert action (without taking into account the dark energy) can not explain the acceleration of the early and late universe. Therefore, GR does not describe precisely gravity and it is quite reasonable to modify it in order to get theories that admit inflation and imitate the dark energy. The first tentative in this way is substituting Einstein-Hilbert term by an arbitrary function of the curvature scalar  $R$ , this is the so-called  $f(R)$  theory of gravity. This theory has been widely studied and interesting results have been found [1,2]. In the same way, other alternative theory of modified gravity has been introduced, the so-called Gauss-Bonnet gravity,  $f(G)$ , as a general function of the Gauss-Bonnet invariant term  $G$  [3]. Other combinations of scalars are also used as the generalised  $f(R,G)$  and  $f(R,P,Q)$  [4,5], where  $P \equiv R_{\mu\nu}R^{\mu\nu}$  and  $Q \equiv R_{\mu\nu\sigma\tau}R^{\mu\nu\sigma\tau}$  (here  $R_{\mu\nu}$  and  $R_{\mu\nu\sigma\tau}$  are the Ricci tensor the Riemann tensor, respectively).

In this present paper, attention is attached to a type of the so-called  $f(R,T)$  theory of gravity, where  $T$  denotes the trace of the energy momentum tensor. This generalization of  $f(R)$  gravity has been made first by Harko *et al.* [6]. In [7], the cosmological reconstruction of  $f(R,T)$  describing transition from matter dominated phase to the late accelerated epoch of the universe

is performed. Also in the same way for exploring cosmological scenarios based on this theory,  $f(R,T)$  function has been numerically reproduced according to holographic dark energy [8]. Moreover it is shown that dust reproduces  $\Lambda$ CDM, phantom-non-phantom and the phantom cosmology with  $f(R,T)$  theory [9]. The general technique for performing this reproduction of  $\Lambda$ CDM model in FRW's metric cosmological evolution is widely developed in [4,10]. The  $f(R,T)$  models that are able to reproduce the fourth known types of future finite-time singularities have been investigated [11].

Note that singularities appear when energy conditions are violated. Our task in this paper is to check the viability of some models of  $f(R,T)$  according to the energy conditions. The energy conditions are formulated by the use of the Raychaudhuri equation for expansion and is based on the attractive character of the gravity. We refer the readers to Refs. [12-17], where energy conditions are widely analyzed for the cosmology settings, in  $f(R)$  and  $f(G)$  gravities.

In this paper, we assume a special form of  $f(R,T)$ , that is,  $f(R,T) = R + 2f(T)$ , the usual Einstein-Hilbert term plus a  $T$  dependent function  $f(T)$ . Two expressions of  $f(T)$ ,  $\frac{a_1 T^n + b_1}{a_2 T^n + b_2}$  and  $a_3 \ln^q(b_3 T^m)$  are investigated.

In order to reach the acceptable cosmological models, we analyse the perturbations and stabilities of de Sitter solutions and power-laws solutions in the framework of the special  $R + 2f(T)$  gravity, by using the two models proposed in this work. We observe that for some values of the input parameters, for both models, the stabilities of de Sitter solutions and power-law solutions are realized and compatibles with some energy conditions and the late time acceleration of the universe.

The paper is outlined as follows. In Section 2, we briefly present the general formalism of the theory, putting out the general equations of motion for a  $f(R, T) = f_1(R) + f_2(T)$  gravity, where  $f_1(R)$  and  $f_2(T)$  are respectively function of the curvature scalar and the trace of the energy momentum tensor. The Section 3 is devoted to the general aspects of the energy conditions. The  $f(R, T) = R + 2f(T)$  gravity is assumed in the Section 4, where the two functions considered for  $f(T)$  are studied, putting out the conditions on the input parameters for obtaining some viable models of  $f(R, T)$ . The perturbations and stabilities of de Sitter and power-law solutions are investigated in the Sections 5. Discussions and perspectives are presented in the Section 6.

### 2. General Formalism

Let us assume the modified gravity replacing the Ricci scalar  $R$  in Einstein gravity by an arbitrary function  $f(R, T)$ , and writing the total action as

$$S = \frac{1}{2\kappa} \int d^4x \sqrt{-g} [f(R, T) + \mathcal{L}], \tag{1}$$

where  $\kappa = 8\pi G$ ,  $G$  being the gravitational constant and  $T = g_{\mu\nu} T^{\mu\nu}$  the trace of the matter energy momentum tensor which is defined by

$$T_{\mu\nu} = -\frac{2}{\sqrt{-g}} \frac{\delta(\sqrt{-g}\mathcal{L})}{\delta g_{\mu\nu}} \tag{2}$$

This modified gravity theory has been considered first in [6] and the equations of motion, using the metric formalism, have been explicitly obtained as

$$\begin{aligned} & f_{1R} R_{\mu\nu} - \frac{1}{2} f_1(R) g_{\mu\nu} + (g_{\mu\nu} \square - \nabla_\mu \nabla_\nu) f_{1R} \\ & = T_{\mu\nu} + f_{2T} T_{\mu\nu} + \left[ f_{2T} p + \frac{1}{2} f_2 \right] g_{\mu\nu} \end{aligned} \tag{3}$$

### 3. Energy Conditions

The energy conditions are essentially based on the Raychaudhuri equation that describes the behaviour of a congruence of timelike, spacelike or lightlike curves. For the purposes of this work we will just consider the timelike and space-like curves for which the Raychaudhuri

equation reads, respectively [18,19]

$$R_{\mu\nu} V^\mu V^\nu + \theta^2/3 + \sigma_{\mu\nu} \sigma^{\mu\nu} - \omega_{\mu\nu} \omega^{\mu\nu} + d\theta/d\tau = 0 \tag{4}$$

$$R_{\mu\nu} k^\mu k^\nu + \theta^2/2 + \sigma_{\mu\nu} \sigma^{\mu\nu} - \omega_{\mu\nu} \omega^{\mu\nu} + d\theta/d\lambda = 0 \tag{5}$$

where  $\theta$  is the expansion scalar describing the expansion of volume,  $\tau$  and  $\lambda$  are positive parameters used to describe the curved of the congruence,  $\sigma_{\mu\nu}$  the shear tensor which measures the distortion of the volume,  $\omega_{\mu\nu}$  the vorticity tensor which measures the rotation of the curves, and  $V^\mu$  and  $k^\mu$  are respectively timelike and lightlike vectors tangent to the curves. In this work, we are interested to the situation for small distortions of the volume, without rotation, in such a way that the quadratic terms in the Raychaudhuri equation may be disregarded (they are like second order corrections). Then, the equation can be integrated given the scalar of expansion as a function of the Ricci tensor:

$$\theta = -\tau R_{\mu\nu} V^\mu V^\nu = -\lambda R_{\mu\nu} k^\mu k^\nu \tag{6}$$

The condition for attractive gravity is  $\theta < 0$ , imposing  $R_{\mu\nu} V^\mu V^\nu$  and  $R_{\mu\nu} k^\mu k^\nu$ . These two conditions are called the strong and null energy conditions, respectively.

For equivalence to GR, by just dividing by  $f_1(R)$  (different from zero), one can cast Equation (3) in the following form

$$R_{\mu\nu} - \frac{1}{2} R g_{\mu\nu} = T_{\mu\nu}^{eff} \tag{7}$$

where the effective energy momentum tensor  $T_{\mu\nu}^{eff}$  is defined by

$$\begin{aligned} T_{\mu\nu}^{eff} &= \frac{1}{f_{1R}} \left\{ T_{\mu\nu} + f_{2T} T_{\mu\nu} - (g_{\mu\nu} \square - \nabla_\mu \nabla_\nu) f_{1R} \right\} \\ &+ \frac{1}{2f_{1R}} [2f_{2T} p + f_2 + f_1 - R f_{1R}] g_{\mu\nu} \end{aligned} \tag{8}$$

Thus, the null energy condition for the effective perfect fluid reduces to

$$\rho_{eff} + p_{eff} \geq 0. \tag{9}$$

For the strong energy conditions, one has

$$\rho_{eff} + p_{eff} \geq 0, \quad \rho_{eff} + 3p_{eff} \geq 0. \tag{10}$$

The weak energy condition for the effective perfect fluid reads

$$\rho_{eff} \geq 0, \quad (\rho_{eff} + p_{eff}) \geq 0, \tag{11}$$

and the the dominant energy condition results in

$$\rho_{eff} \geq 0, \quad \rho_{eff} + p_{eff} \geq 0, \quad \rho_{eff} - p_{eff} \geq 0. \tag{12}$$

Therefore, the energy conditions, as known in GR, can also be applied in this modified theory of gravity by substituting the ordinary energy density  $\rho$  and pressure  $p$  in GR by the effective ones,  $\rho_{eff}$  and  $p_{eff}$ .

In what follows, we will consider models of type  $f(R, T) = R + 2f(T)$ , i.e., the usual Einstein-Hilbert term plus trace depending term  $2f(T)$ . This amounts to consider  $f_1(R) = R$  and  $f_2(T) = 2f(T)$ . The factor 2 is used just for letting the field equations more easier to be treated. We will also assume that the ordinary content of the universe is pressureless and satisfies the energy conditions (just  $\rho_{eff} \geq 0$ ).

**4. Testing Some  $f(R, T) = R + 2f(T)$  Models from Energy Conditions**

In this section we will present the conditions required on  $\rho$  and the algebraic function  $f(T)$  for realizing each type of energy conditions. For this end, we first need to establish the respective expression of the effective energy density  $\rho_{eff}$  and effective pressure  $p_{eff}$ . According to the assumptions made at the end of the previous section, Equation (7) becomes

$$R_{\mu\nu} - \frac{1}{2}Rg_{\mu\nu} = T_{\mu\nu} + 2f_T T_{\mu\nu} + fg_{\mu\nu}. \tag{13}$$

Considering the at FRW space-time described by the metric

$$ds^2 = dt^2 - a^2(t)dx^2 \tag{14}$$

where  $a(t)$  is the scale factor. The 00 and  $ii$  components of (22) can be written as

$$3H^2 = \rho_{eff}, \tag{15}$$

$$-2\dot{H} - 3H^2 = p_{eff}, \tag{16}$$

where the effective energy density and pressure are defined as

$$\rho_{eff} = \rho + 2\rho f_T(T) + f(T), \tag{17}$$

$$p_{eff} = -f(T). \tag{18}$$

By using the above expressions of the effective energy density and pressure, we get the null energy condition (NEC), the weak energy condition (WEC), the strong energy condition (SEC) and the dominant energy condition (DEC) by

$$\text{NEC: } \rho_{eff} + p_{eff} = \rho[1 + 2f_T(T)] \geq 0; \tag{19}$$

$$\text{WEC: } \rho_{eff} = \rho + 2\rho f_T + f \geq 0, \quad \rho_{eff} + p_{eff} \geq 0; \tag{20}$$

$$\text{SEC: } \rho_{eff} + 3p_{eff} = \rho + 2\rho f_T - 2f \geq 0, \tag{21}$$

$$\rho_{eff} + p_{eff} \geq 0;$$

$$\text{DEC: } \rho_{eff} - p_{eff} = \rho + 2\rho f_T + 2f \geq 0, \tag{22}$$

$$\rho_{eff} + p_{eff} \geq 0, \rho_{eff} \geq 0$$

and  $b_3$  is assumed to be positive and non-null. This form is chosen due to its interesting aspect, in curing the big rip [11].

**4.1. Studing the Case  $f(T) = \frac{a_1 T^n + b_1}{a_2 T^n + b_2}$**

Our task here is to put out the constraints on the input parameters in order to get a  $R + 2f(T)$  type model that satisfies the energy conditions. According to the sign of the parameter  $n$ , and assuming that  $a_2$  and  $b_2$  cannot be identically null, the model can be cast into two different forms. In fact, for the late time stage of the universe, by dividing the parameters of the model by  $a_2 (n > 0)$  and  $b_2 (n < 0)$ , one gets respectively the models

$$f(\rho) = \frac{\Lambda \rho^n + B_1}{\rho^n + B_2} \quad \text{and} \quad f(\rho) = \frac{A_1 \rho^n + \Lambda}{A_2 \rho^n + 1},$$

where the cosmological constant is characterized by  $\frac{a_1}{a_2}$  (for

$n > 0$ ), and  $\frac{b_1}{b_2}$  (for  $n < 0$ ), and  $A_1 = \frac{a_1}{b_2}, A_2 = \frac{a_2}{b_2}$ ,

$B_1 = \frac{b_1}{a_2}$  and  $B_2 = \frac{b_2}{a_2}$ . In this case, the model which

initially was four parameters dependent, under the cosmological constraints, becomes three parameters dependent,  $\Lambda, B_1$  and  $B_2$  for  $n > 0$ , and  $\Lambda, A_1$  and  $A_2$  for  $n < 0$ . Since the cosmological constant is known [14], the model turns into two parameters dependent.

The first derivative of  $f(T)$  with respect to  $T$  (or the derivative of  $f(\rho)$  with respect to  $\rho$ ) reads

$$f_\rho(\rho) = n(\Lambda B_2 - B_1)\rho^{n-1} / (\rho^n + B_2)^2, \quad n > 0, \tag{23}$$

$$f_\rho(\rho) = n(A_1 - \Lambda A_2)\rho^{n-1} / (A_2 \rho^n + 1)^2, \quad n < 0$$

**4.1.1. The NEC**

Since we have assumed that the ordinary content of the universe satisfies all the energy conditions, the condition (19) reduces to  $1 + 2f_T(T) \geq 0$ , (or  $1/2 + f_\rho(\rho) \geq 0$ ). One can calculate  $1/2 + f_\rho(\rho) \geq 0$  as

$$f_\rho + 1/2 = \frac{2n\rho^{n-1}(\Lambda B_2 - B_1) + (\rho^n + B_2)^2}{2(\rho^n + B_2)^2}, \quad n > 0, \tag{24}$$

$$f_\rho + 1/2 = \frac{2n\rho^{n-1}(A_1 - A_2\Lambda) + (A_2\rho^n + 1)^2}{2(A_2\rho^n + 1)^2}, \quad n < 0, \tag{25}$$

whose the sign can just be characterized by that of the numerator, since the denominator is always positive. If we take the numerator as a function of the ordinary energy density  $\rho$  and the input parameters, we just need to analyze the sign of this latter. The evident conditions for which the numerator is positive are presented as follows:

- \*  $B_1 > 0, B_2 > 0, B_1/B_2 < \Lambda$  for  $n > 0$ ,
- \*  $A_1 > 0, A_2 > 0, B_1/B_2 > \Lambda$  for  $n < 0$ ,
- \*  $B_1 < 0, B_2 < 0$ , for  $n > 0$ ,
- \*  $A_1 < 0, A_2 > 0$ , for  $n < 0$ .

Indeed, the above conditions lead to the positivity

$$2n\rho^{n-1}(\Lambda B_2 - B_1) > 0 \text{ for } n > 0$$

and

$$2n\rho^{n-1}(A_1 - A_2\Lambda) > 0 \text{ for } n < 0.$$

Observe that there are still situations in which the above quantities are negative but the numerators in (25) continuing positive, *i.e.*,

- \*  $A_1 > A_2\Lambda$  and  $|2n\rho^{n-1}(A_1 - A_2\Lambda)| < |(A_2\rho^n + 1)^2|$  for  $n < 0$ ,
- \*  $\Lambda B_2 < B_1$  and  $|2n\rho^{n-1}(\Lambda B_2 - B_1)| < |(\rho^n + B_2)^2|$  for  $n > 0$ .

In these cases, one can plot the function in terms of two of the parameters, fixing the other. Despite knowing the sign of the considered parameters with what respect the function may be plotted, the important here is their rank, *i.e.* the interval to which they must belong in order to produce the positivity of the function. Some examples are presented in **Figure 1**.

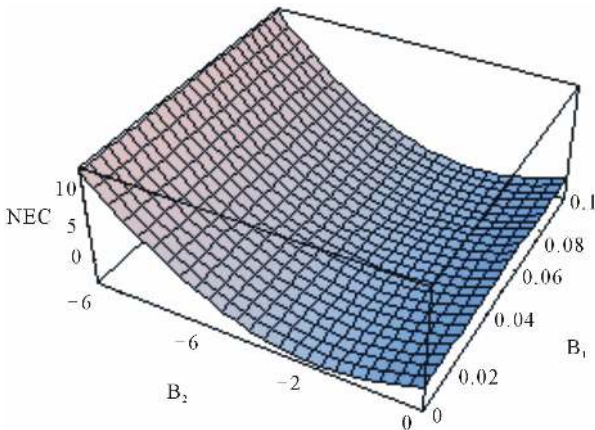
#### 4.1.2. The WEC

This condition is realized when the NEC is, plus the condition  $\rho_{eff} \geq 0$ . Note that the complete expression and condition of the NEC read

$$2n(\Lambda B_2 - B_1)\rho^n + \rho^{n+1} + 2B_2\rho^{n+1} + B_2^2\rho \geq 0, n > 0, \quad (26)$$

$$2n(A_1 - A_2\Lambda)\rho^n + A_2^2\rho^{n+1} + 2A_2\rho^{n+1} + \rho \geq 0, n < 0. \quad (27)$$

These expressions are obtained by multiplying the numerators in (25) by  $\rho$ . We didn't need to use this complete expression for determining the conditions on the input parameters in the case of the NEC, since the



**Figure 1.** The graph representing the NEC in functions of  $B_1$  and  $B_2$  with  $\rho = 0.1, n = 1, \Lambda = 1.7$ .

ordinary energy density is assumed as positive quantity. Besides to (26) and (27), the second condition for satisfying the WEC is

$$\rho_{eff} = \rho + 2\rho f_\rho + f \geq 0, \quad (28)$$

having in mind that the ordinary content is assumed as pressure-less. By using  $f(\rho)$ , according to the functions in (23), (28) becomes

$$\Lambda\rho^{2n} + \rho^{2n+1} + 2B_2\rho^{n+1} + B_2^2 + B_1B_2 + (2n\Lambda B_2 - 2nB_1 + \Lambda B_2 + B_1) > 0, \quad (29)$$

$$A_1A_2\rho^{2n} + A_2^2\rho^{2n+1} + 2A_2\rho^{n+1} + \rho + \Lambda + (2nA_1 - 2nA_2\Lambda + A_1 + \Lambda A_2)\rho^n \geq 0, n < 0 \quad (30)$$

Note here that we just use the numerator of the fractions whose the denominators are always positives. By combining (26) with (29) and (30), one gets for the WEC

$$\Lambda\rho^{2n} + 2\rho^{2n+1} + 4B_2\rho^{n+1} + 2B_2^2\rho + B_1B_2 + [(1+4n)\Lambda B_2 + (1-4n)B_1]\rho^n \geq 0, n > 0 \quad (31)$$

$$A_1A_2\rho^{2n} + 2\rho^{2n+1} + 4A_2\rho^{n+1} + 2\rho + \Lambda + [(1+4n)A_1 + (1-4n)A_2\Lambda]\rho^n \geq 0, n < 0 \quad (32)$$

We address here the evident conditions for which the WEC is satisfied as follows:

- \*  $B_1 > 0, B_2 > 0$  for  $0 < n < 1/4$ ,
- \*  $A_1 > 0, A_2 > 0$ , for  $-1/4 < n < 0$ .

It is obvious that these conditions are not unique. For  $n > 0$  ( $n < 0$ ), the necessity of plotting the function

$$\Lambda\rho^{2n} + 2\rho^{2n+1} + 4B_2\rho^{n+1} + 2B_2^2\rho + [(1+4n)\Lambda B_2 + (1-4n)B_1]\rho^n + B_1B_2 \quad (33)$$

$$A_1A_2\rho^{2n} + 2A_2^2\rho^{2n+1} + 4A_2\rho^{n+1} + 2\rho + [(1+4n)A_1 + (1-4n)A_2\Lambda]\rho^n + \Lambda \quad (34)$$

varying two of the input parameters. We present some examples of these cases in **Figure 2**.

#### 4.1.3. The SEC

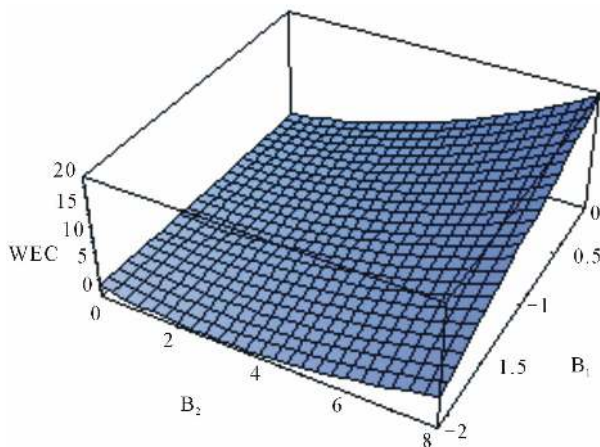
The strong energy condition is realized by combining the NEC with  $\rho_{eff} + 3p_{eff} \geq 0$ . This latter reads,

$$\rho_{eff} + 3p_{eff} = \rho + 2\rho f_\rho - 2f \geq 0. \quad (35)$$

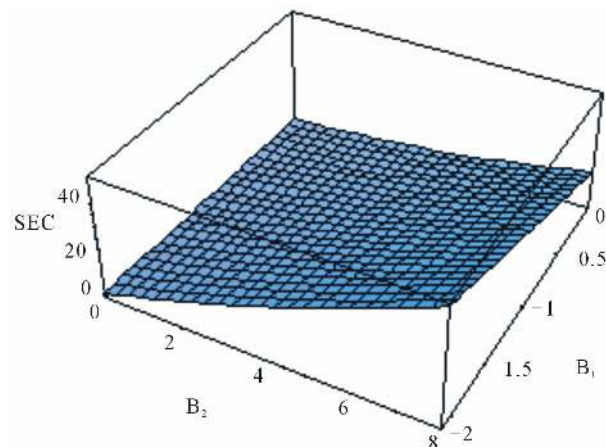
Making use of the expressions in (23), one obtains a fraction whose the denominator is always positive and the numerator reads

$$\rho^{2n+1} + 2B_2\rho^{n+1} + B_2^2\rho - 2[(1-n)\Lambda B_2 + (1+n)B_1]\rho^n - 2\Lambda\rho^{2n} - 2B_1B_2 \geq 0 \text{ for } n > 0, \quad (36)$$

$$A_2^2\rho^{2n+1} + 2A_2\rho^{n+1} + \rho - 2[(1-n)A_1 + (1+n)A_2\Lambda]\rho^n - 2A_1A_2\rho^{2n} - 2\Lambda \geq 0 \text{ for } n < 0, \quad (37)$$



**Figure 2.** The graph of WEC in terms of suitable values of  $B_1$  and  $B_2$  with  $n = 1$ ,  $\Lambda = 1.7$ ,  $\rho = 0.1$ .



**Figure 3.** The graph of the SEC in functions of  $B_1$  and  $B_2$ , setting  $\Lambda = 1.7$ ,  $\rho = 0.1$  and  $n = 1$ .

Now, combining (36) and (37) with the NEC, one gets the following conditions for the SEC

$$2\rho^{2n+1} - 2\Lambda\rho^{2n} + 4B_2\rho^{n+1} + 2B_2^2\rho - 2B_1B_2 - 2[(1-2n)\Lambda B_2 + (1+2n)B_1]\rho^n \geq 0, \quad n > 0 \tag{38}$$

$$2A_2^2\rho^{2n+1} - 2A_1A_2\rho^{2n} + 4A_2\rho^{n+1} + 2\rho - 2\Lambda - 2[(1-2n)A_1 + (1+2n)A_2\Lambda]\rho^n, \quad n < 0 \tag{39}$$

In this case, there is any obvious condition for satisfying the SEC. However, values can be found, by plotting the corresponding functions in terms of two of the parameters. Some examples for illustrating some of these cases are presented in **Figure 3**.

**4.1.4. The DEC**

The dominant energy condition is characterized by the WEC combined with  $\rho_{eff} + p_{eff} \geq 0$ . Following the same steps as in the previous cases, one easily obtains the DEC as

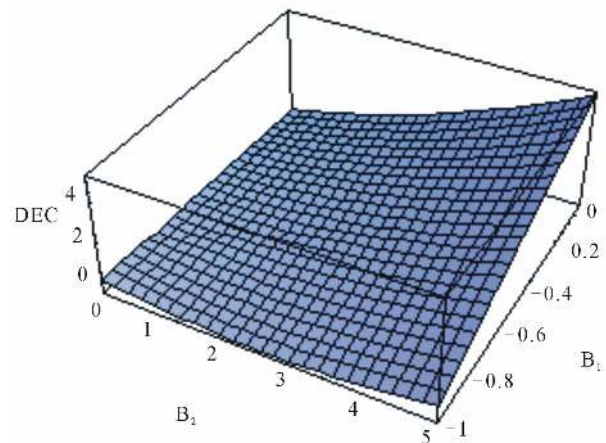
$$2\rho^{2n+1} + \Lambda\rho^{2n} + 2B_2\rho^{n+1} + B_2^2\rho + B_1B_2 + [(2n+1)\Lambda B_2 + (1-2n)B_1]\rho^n \geq 0, \quad n > 0 \tag{40}$$

$$2A_2^2\rho^{2n+1} + A_1A_2\rho^{2n} + 2A_2\rho^{n+1} + \rho + \Lambda + [(2n+1)A_1 + (1-2n)A_2\Lambda]\rho^n \geq 0, \quad n < 0 \tag{41}$$

The evident conditions read  $B_1 > 0$ ,  $B_2 > 0$  and  $n > 1/2$ . Evidently, other conditions may lead to the accomplishment of the DEC, but, only plotting the functions in (40) and (41). We present some of these cases in **Figure 4**.

**4.2. Studying the Case  $a_3 \ln^q(b_3 T^m)$**

Here we will work with the fundamental conditions for which the model allows the avoidance of the Big Rip. So,



**Figure 4.** The graph representing the DEC in functions of  $B_1$  and  $B_2$  with  $\rho = 0.1$ ,  $n = 1$ ,  $\Lambda = 1.7$ .

we propose to check if the range of parameters for which the singularity may be cured can also make the model satisfying the energy conditions. Here, the first derivative of  $f(\rho)$  also plays an important role. Deriving  $f(\rho)$  with respect to the energy density  $\rho$ , one gets

$$f_\rho(\rho) = \frac{qma_3}{\rho} \ln^{q-1}(b_3\rho^m) \tag{42}$$

We believe that each step of constructing the four energy conditions is now clear and we simply present the results and comments as follows:

**4.2.1. The NEC**

$$\rho + 2qma_3 + \rho \ln^{q-1}(b_3\rho^m) \geq 0. \tag{43}$$

The evident conditions for obtaining this are  $q > 0$ ,  $m < 0$ ,  $a_3 < 0$ , with  $\rho^m > 1/b_3$ . It is important to note that this list is not exhaustive, since in other conditions



different from the above ones, the NEC could still be realized. This situation requires knowing some intervals to which the parameters must belong. We present this feature by plotting the function corresponding to the expression (43) in terms of some of the input parameters fixing the other. See **Figure 5**.

**4.2.2. The WEC**

$$2\rho + 2qma_3 + (\rho + 2qma_3)\ln^{q-1}(b_3\rho^m) + a_3 \ln^q(b_3\rho^m) \geq 0, \tag{44}$$

In this case by plotting the function (44), the WEC can be realized graphically. This is the set of situations where one of the terms in the sum (44) is negative, but its absolute value is less than the absolute value of the sum of the other. See **Figure 6**.

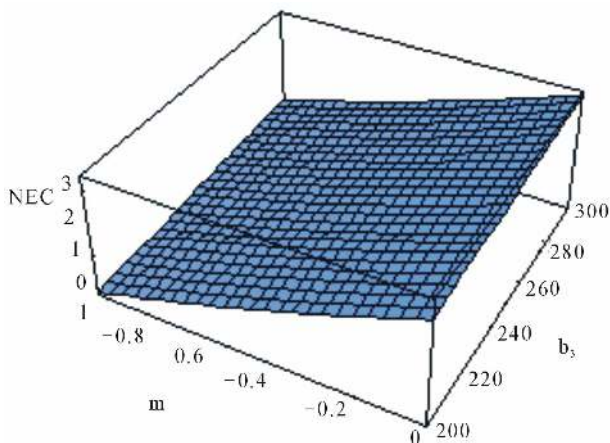
**4.2.3. The SEC**

$$2\rho + 2qma_3 + (\rho + 2qma_3)\ln^{q-1}(b_3\rho^m) - 2a_3 \ln^q(b_3\rho^m) \geq 0 \tag{45}$$

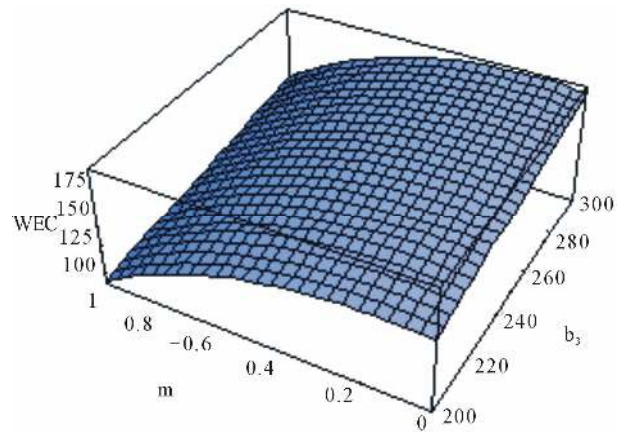
In this case, evident constraints on the input parameters in order to realize this energy condition are presented as follows:  $q > 0$ ,  $m < 0$ ,  $a_3 < 0$ , with  $\rho^m > 1/b_3$ . As presented in the previous cases, other conditions may also realize this energy condition. This can be observed by plotting the function in (45) in terms of some input parameters, fixing the other. See **Figure 7**.

**4.2.4. The DEC**

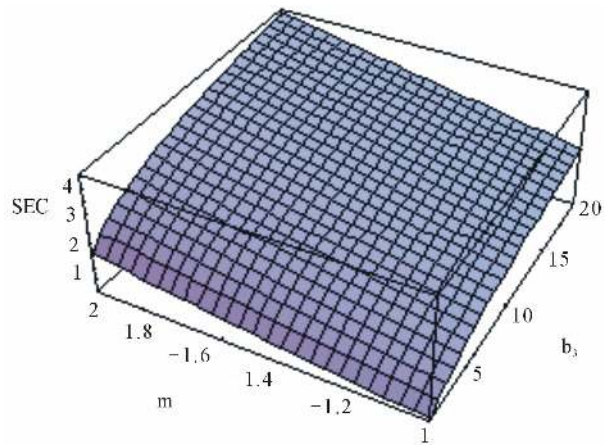
$$3\rho + 2qma_3 + (\rho + 4qma_3)\ln^{q-1}(b_3\rho^m) + 3a_3 \ln^q(b_3\rho^m) \geq 0. \tag{46}$$



**Figure 5.** The graph representative of the NEC in terms of  $m$  and  $b_3$ , with  $\rho = 0.1$ ,  $a_3 = 1$  and  $q = 0.1$ .



**Figure 6.** The graph of the WEC in functions of  $m$  and  $b_3$ , using  $\rho = 0.1$ ,  $a_3 = 1$  and  $q = 3$ .



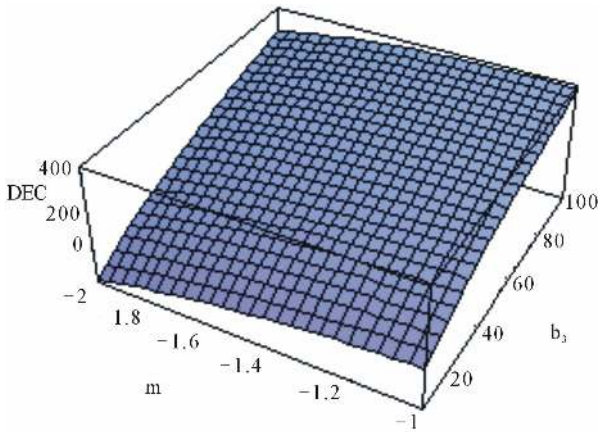
**Figure 7.** The graph of the SEC in functions of  $m$  and  $b_3$ , using  $\rho = 0.1$ ,  $a_3 = 10^{-3}$  and  $q = 3$ .

Here, constraints may also lead to the DEC, but this is clear by plotting the function (46), as in the previous cases. We present an illustrative example in **Figure 8**.

We mention that for all the graphs, the parameters are normalized to  $10^{-121}$  Planck units. Remark that the current value of the cosmological constant is about  $1.7 \times 10^{-121}$  and the energy density of the usual matter is about  $\rho = 0.1 \times 10^{-121}$  [14]. Then, with the normalization, we get  $\Lambda = 1.7$  and  $\rho = 0.1$  for the cosmological constant and the energy density of the usual matter respectively, which are the values used for plotting the graph in the figures.

**5. Perturbations and Stabilities in  $R + 2f(T)$  Gravity**

In this section we propose to study the perturbations around the models used in this work. We can start establishing the perturbed equations for the case  $R + 2f(T)$ ,



**Figure 8.** The graph of the WEC in functions of  $m$  and  $b_3$ , with  $\rho = 0.1$ ,  $a_3 = 1$  and  $q = 3$ .

but the two models will be studied as specific cases.

For this purpose, let us assume a general solution for the cosmological background of FRW metric, which is given by a Hubble parameter  $H = H_b(t)$  that satisfies the background Equation (17) using (15), for  $R + 2f(T)$  gravity. The evolution of the matter energy density can be expressed in terms of this particular solution by solving the continuity equation around  $H_b(t)$ ,

$$d\rho_b/dt + 3H_b(t)\rho_b = 0, \tag{47}$$

yielding

$$\rho_b(t) = \rho_0 e^{-3\int H_b(t)dt}. \tag{48}$$

We recall that we are considering that the ordinary content of the universe is pressure-less. Since we are interesting in studying the perturbations around the solutions  $H = H_b(t)$ , we will consider small deviations from the Hubble parameter and the energy density, *i.e.*, we can write the Hubble parameter and the ordinary energy density as [20]

$$H(t) = H_b(t)(1 + \delta), \rho(t) = \rho_b(t)(1 + \delta_m). \tag{49}$$

In order to study the behavior of these perturbations in the linear regime, we expand the function  $f(T)$  in powers of  $T_b$  (or  $\rho_b$ ) evaluated at the solution  $H = H_b(t)$ , as

$$f(T) = f(\rho) = f^b + f_\rho^b(\rho - \rho_b) + O^2, \tag{50}$$

where the superscript  $b$  refers to the background values of  $f(T)$  and its derivatives evaluated at  $T = T_b$  (or  $\rho = \rho_b$ ). Here, the  $O$  term includes all the terms proportional to the square or higher powers of  $T$  (or  $\rho$ ). Then, only the linear terms of the induced perturbations will be considered. Hence, by making use of the expression (50) in the Equations (15) and (17), one gets the equation for the perturbation  $\delta(t)$  in the linear approximation,

$$\begin{aligned} & (\rho_b + 3\rho_b f_\rho^b + 2\rho_b^2 f_{\rho\rho}^b) \delta_m(t) \\ & = 6H_b^2 \delta(t). \end{aligned} \tag{51}$$

On the other hand, there is a second perturbed equation from the matter continuity equation,

$$\dot{\delta}_m + 3H_b(t)\delta(t) = 0. \tag{52}$$

By combining Equations (51) and (52) one gets the following equation for the matter perturbation

$$2H_b \dot{\delta}_m + (\rho_b + 3\rho_b f_\rho^b + 2\rho_b^2 f_{\rho\rho}^b) \delta_m = 0, \tag{53}$$

from which we obtain

$$\begin{aligned} \delta_m &= C_1 e^{-\frac{1}{2}\int C_b dt}, \\ C_b &= \frac{\rho_b}{H_b} (1 + 3f_\rho^b + 2\rho_b f_{\rho\rho}^b), \end{aligned} \tag{54}$$

where  $C_1$  is an integration constant. By using the relation (52), the perturbation  $\delta$  reads

$$\delta(t) = -\frac{C_1 C_b}{6H_b} e^{-\frac{1}{2}\int C_b dt}. \tag{55}$$

Let us now consider two cosmological solutions and analyze their stability by the use of the models treated in this work: de Sitter solutions and power law solutions.

### 5.1. Stability of de Sitter Solutions

In de Sitter solutions, the Hubble parameter is constant and one has

$$H_b(t) = H_0, \rightarrow a(t) = a_0 e^{H_0 t}, \tag{56}$$

where  $H_0$  is constant.

With this scale factor, the energy density of the background becomes  $\rho_b = \rho_0 e^{-3H_0 t}$ , with which one has  $d\rho_b = -3H_0 \rho_b dt$ . By using this, one can cast the integral in (55) into

$$\int C_b dt = -\frac{1}{3H_0^2} \int (1 + 3f_\rho^b + 2\rho_b f_{\rho\rho}^b) d\rho_b. \tag{57}$$

#### 5.1.1. Treating the Model

$$f(T) = (\Lambda T^n + B_1) / (T^n + B_2)$$

This case corresponds to  $n > 0$ , and the integral (55) can be expressed as

$$\int C_b dt = -\frac{1}{3H_0^2} \left[ \rho_b - \frac{\Lambda B_2 - B_1}{B_2 + \rho_b^n} + \frac{2n(\Lambda B_2 - B_1)\rho_b^n}{(B_2 + \rho_b^n)^2} \right], \tag{58}$$

$$\rho_b^n = \rho_0^n e^{-3nH_0 t}$$

and  $C_b$  is written as

$$C_b = \frac{1}{H_0} \left[ \rho_b + \frac{n(2n+1)(\Lambda B_2 + B_1)\rho_b^n}{(B_2 + \rho_b^n)^2} - \frac{4n^2(\Lambda B_2 - B_1)\rho_b^{2n}}{(B_2 + \rho_b^n)^3} \right]. \tag{59}$$

We see from (58) and (59) that for  $n > 0$ , and as the time evolves, the stability of de Sitter solutions requires  $B_2 \neq 0$ . In other word, for the initial model, de Sitter solutions are stables if and only if  $a_2 \neq 0$  and  $b_2 \neq 0$ .

**5.1.2. Testing the Model**

$$f(T) = (A_1 T^n + \Lambda) / (A_1 T^n + 1)$$

This case corresponds to  $n < 0$ , and the integral (57), multiplied by  $-1/2$ , can be expressed as

$$-\frac{1}{2} \int C_b dt = \frac{1}{6H_0^2} \left[ \rho_b - \frac{A_1 - \Lambda A_2}{A_2(1 + A_2 \rho_b^n)} + \frac{2n(A_1 - \Lambda A_2)\rho_b^n}{(1 + A_2 \rho_b^n)^2} \right], \tag{60}$$

$$\rho_b^n = \rho_0^n e^{-3nH_0 t}$$

and  $C_b$  is written as

$$C_b = \frac{1}{H_0} \left[ \rho_b + \frac{n(2n+1)(A_1 - \Lambda A_2)\rho_b^n}{(A_2 \rho_b^n + 1)^2} - \frac{4n^2 A_2 (A_1 - \Lambda A_2)\rho_b^{2n}}{(A_2 \rho_b^n + 1)^3} \right]. \tag{61}$$

Here, for  $n < 0$ , as the time evolves, both (60) and (61) tend to  $+\infty$ . Thus the perturbation will grow exponentially, and this particular de Sitter solution becomes unstable. Note that this result does not depend on any of the parameters  $A_1$  or  $A_2$ .

**5.1.3. Treating the Model  $a_3 \ln^q(b_3 T^m)$**

With this model, the integral (57), multiplied by  $-1/2$ , can be performed and one gets

$$-\frac{1}{2} \int C_b dt = \frac{1}{6H_0} \left[ \rho_b + a_3 \ln^q(b_3 \rho^m) + 2mq a_3 \ln^{q-1}(b_3 \rho^m) \right] \tag{62}$$

with the corresponding expression of  $C_b$  being

$$C_b = \frac{1}{H_0} \left[ \rho_b + qma_3 \ln^{q-1}(b_3 \rho^m) + 2mq(q-1)a_3 \ln^{q-2}(b_3 \rho^m) \right]. \tag{63}$$

Let us recall that this model  $a_3 \ln^q(b_3 T^m)$ , leads to the avoidance of the Big Rip for  $q > 2\alpha/(\alpha-1)$  and  $m < 0$ , where  $\alpha > 1$ , as we have previously shown. These conditions also allow the model to satisfy the energy conditions. Now, let us check what happens about the stability with these conditions. First, note that the relation  $q > 2\alpha/(\alpha-1)$  can be cast into  $q > 2 + 2/(\alpha-1)$ , showing that  $q > 2$  because of  $\alpha > 1$ . By choosing  $a_3 < 0$ , we see that, within the conditions  $q > 2$  and  $m < 0$ , the expressions (62) and (63) tend to  $-\infty$  as the time evolves, and this ensures the decay of the perturbation, leading to the stability of de Sitter solutions with this model. Thus, regarding to the stability of de Sitter solutions, the energy conditions and the late time acceleration, provided with the conditions  $a_3 < 0$ ,  $b_3 > 0$ ,  $q > 2$  and  $m < 0$ , we can conclude that the model may be cosmologically acceptable.

**5.2. Stability of Powerlaw Solutions**

As we are dealing with dust as ordinary content of the universe, we will be interested to the scale factor

$$a(t) = a_0 t^{2/3} \rightarrow H_b(t) = \frac{2a_0}{3t}, \rho_b \propto t^{-2}. \tag{64}$$

**5.2.1. Treating the Model**

$$f(T) = (\Lambda T^n + B_1) / (T^n + B_2)$$

In this case,  $n > 0$ , and one can perform the integral

$$-\frac{1}{2} \int C_b dt = -\frac{3}{4a_0} \left[ \ln(t) - \frac{(3n+4)(\Lambda B_2 - B_1)t^2}{B_2(1 + B_2 t^{2n})} + \frac{(\Lambda B_2 - B_1)t^2}{2B_2 n(1 + B_2 t^{2n})^2} + \frac{(4n+7)(\Lambda B_2 - B_1)t^2}{2B_2} \right. \\ \left. \times {}_2F_1\left(\frac{1}{n}, 1, 1 + \frac{1}{n}; -B_2 t^{2n}\right) \right], \tag{65}$$

with

$$C_b = \frac{3}{2a_0} \left[ \frac{1}{t} + \frac{2n(n+1)(\Lambda B_2 - B_1)t^{-2n}}{(t^{-2n} + B_2)^2} - \frac{4n^2(\Lambda B_2 - B_1)t^{-4n}}{(t^{-2n} + B_2)^3} \right], \tag{66}$$

where we have set  $\rho_0 = 1$ , and  ${}_2F_1$  is the hypergeometric function defined by

$${}_2F_1(\lambda_1, \lambda_2, \lambda_3; z) = \sum_{r=0}^{\infty} \frac{(\lambda_1)_r (\lambda_2)_r}{(\lambda_3)_r} \frac{z^r}{r!}, \tag{67}$$

with

$$(\lambda)_r = \lambda(\lambda+1)(\lambda+2)\dots(\lambda+r-1), (\lambda)_0 = 1. \tag{68}$$



As the time evolves, conditions are required for guaranteeing the decay of the perturbation. For  $B_2 < 0$ , it is necessary to have  $\Lambda B_2 < B_1$ , which means that  $B_1$  can be positive, or negative but with  $|\Lambda B_2| > |B_1|$ . In the case where  $B_2 > 0$  one may observe two sub-cases, *i.e.*, for an even  $r$ , and an odd  $r$ . For an even  $r$ , as the time evolves, the necessary condition for guaranteeing the decay of the perturbation is  $\Lambda B_2 > b_1$ , meaning that the parameter  $B_1$  can be negative, or positive. On the other hand, for an odd  $r$ , the requirement for getting the decay of the perturbation is  $\Lambda B_2 < B_1$ , meaning that  $B_1 > 0$ .

**5.2.2. Treating the Model**

$$f(T) = (A_1 T^n + \Lambda) / (A_2 T^n + 1)$$

Here,  $n < 0$ , and the integral can be performed as

$$\begin{aligned} -\frac{1}{2} \int C_b dt = & -\frac{3}{4a_0} \left[ \ln(t) - \frac{(2n+3)(A_1 - \Lambda A_2)t^2}{2(A_2 + t^{2n})} \right. \\ & + \frac{n(A_1 - \Lambda A_2)t^2}{(A_2 + t^{2n})^2} + \frac{3(A_1 - \Lambda A_2)t^2}{2A_2} \\ & \left. \times {}_2F_1\left(\frac{1}{n}, 1, 1 + \frac{1}{n}; -\frac{t^{2n}}{A_2}\right) \right], \end{aligned} \quad (69)$$

with

$$\begin{aligned} C_b = & \frac{3}{2a_0} \left[ \frac{n(2n+1)(A_1 - \Lambda A_2)t^{-2n+1}}{(A_2 t^{-2n} + 1)^2} \right. \\ & \left. - \frac{4A_2 n^2 (A_1 - \Lambda A_2)t^{-4n+1}}{(A_2 t^{-2n} + 1)^3} \right]. \end{aligned} \quad (70)$$

As the time evolves, the argument of the hypergeometric function tends to zero and the hypergeometric function tends to 1. Thus, the dominant term in (77) reads

$$\frac{3}{4a_0 A_2^2} (A_2 - n)(A_1 - \Lambda A_2)t^2. \quad (71)$$

Here, one can distinguish two cases: ( $A_2 - n > 0$  and  $A_1 < \Lambda A_2$ ) and ( $A_2 - n < 0$  and  $A_1 > \Lambda A_2$ ). In the first case, one gets  $A_2 > n$  meaning that  $A_2$  can be positive, or negative but with  $|A_2| < |n|$ . When  $A_2 > 0$ ,  $A_1$  can be positive or negative, due to the relation  $A_1 < \Lambda A_2$ , while for  $A_2 < 0$ ,  $A_1$  is necessarily negative. In the second case, one gets  $A_2 < n$ , meaning that  $A_2 < 0$ , which allows  $A_1$  to be positive, due to the relation  $A_1 > \Lambda A_2$ .

We observe that some of the conditions for which the stability occurs, are also compatible with some energy conditions. This shows that for some values of the input parameters, acceptable models can be obtained, at least regarding to the energy conditions, the stability, the late

time acceleration of the universe and the avoidance of the Big Rip.

**5.2.3. Treating the Model  $a_3 \ln^q (b_3 T^m)$ .**

As we have done in the previous cases, the integral can be performed, yielding

$$\begin{aligned} -\frac{1}{2} \int C_b dt = & -\frac{3}{4a_0} \left[ \ln(t) - \frac{1}{2} a_3 q b_3^{\frac{1}{m}} m^q \Gamma\left[q, \frac{g(t)}{m}\right] \right. \\ & \left. + a_3 q (q-1) m^q b_3^{\frac{1}{m}} \Gamma\left[q-1, \frac{g(t)}{m}\right] \right], \end{aligned} \quad (72)$$

$$g(t) = \ln(b_3 t^{-2m}),$$

with

$$\begin{aligned} C_b = & \frac{3}{2a_0} \left[ \frac{1}{t} + a_3 q m t \ln^{q-1}(b_3 t^{-2m}) \right. \\ & \left. + 2a_3 q (q-1) m^2 t \ln^{q-2}(b_3 t^{-2m}) \right]. \end{aligned} \quad (73)$$

As we have previously mentioned, this model cures the Big Rip for  $q > 2$  and  $m < 0$ . With these conditions, as the time evolves, only the term  $\ln(t)$  grows. Since  $-3 \ln(t)/(4a_0)$  is negative for large value of the time, it is easy to observe that the perturbation decays, and this corresponds to the stability of the power law solutions with this model. Observe that in this case, the constraints on the parameters  $q$  and  $m$  for which all the energy conditions are satisfied, leads to the stability of the power-law solutions. Thus, regarding to the stability, the energy conditions, the late time acceleration of the universe and the avoidance of the Big Rip, we can conclude that this model can be cosmologically acceptable for  $a_3 \neq 0$ ,  $b_3 > 0$ ,  $q > 2$  and  $m < 0$ .

**6. Discussions**

We studied the viability of two  $f(R, T)$  models according to energy conditions. A special attention is attached to the models of type  $R + 2f(T)$ . For the two models of  $f(T)$  considered, it is shown that for some values of the input parameters, energy conditions are satisfied. Moreover, we showed that there exist values of the inputs parameters for which the four energy conditions may be satisfied simultaneously, for the two models.

An interesting feature of these models is that there fill well with the observations data. Therefore, the graph representing each energy conditions in plotted for both models under study.

Moreover, in order to make a consistent analysis of the stability of the models, we studied the stability of de Sitter and power-law solutions within the two models by considering the perturbation around them. We see that the de Sitter solutions present stability for two models.

However, for the power-law solutions, the stability can be observed for each model under some conditions. We also see that for the conditions for which the stability is realized, the late-time cosmic acceleration and the avoidance of the big rip are always satisfied. We conclude that, in the frame work of  $R + 2f(T)$  gravity the two models can be viable.

## 7. Acknowledgements

M. J. S. Houndjo thanks Prof. S. D. Odintsov for useful suggestions and also CNPq/FAPES for financial support. A. V. Monwanou thanks IMSP-UAC for financial support. The authors also thank very much the referees for useful suggestions for the reorganization of the manuscript.

## REFERENCES

- [1] S. Nojiri and S. D. Odintsov, "Introduction to Modified Gravity and Gravitational Alternative for Dark Energy," *International Journal Geometrical Method Modern Physics*, Vol. 4, No. 1, 2007, p. 115. [doi:10.1142/S0219887807001928](https://doi.org/10.1142/S0219887807001928)
- [2] S. Nojiri and S. D. Odintsov, arXiv: 0801.4843 [astro-ph]. arXiv: 0807.0685 [hep-th].
- [3] S. Nojiri, S. D. Odintsov and P. V. Tretyakov, "From Inflation to Dark Energy in the Non-Minimal Modified Gravity," *Progress of Theoretical Physics Supplement*, No. 172, 2008, pp. 81-89. [doi:10.1143/PTPS.172.81](https://doi.org/10.1143/PTPS.172.81)
- [4] A. de la Cruz-Dombriz and D. Saez-Gomez.
- [5] S. Nojiri and S. D. Odintsov, "Modified Gauss-Bonnet Theory as Gravitational Alternative for Dark Energy," *Physical Letter B*, Vol. 613, No. 1-2, 2005, pp. 1-6. [doi:10.1016/j.physletb.2005.10.010](https://doi.org/10.1016/j.physletb.2005.10.010)
- [6] T. Harko, F. S. Lobo, S. Nojiri and S. D. Odintsov, "f(R,T) Gravity," *Physical Review D*, Vol. 84, No. 2, 2011, Article ID: 024020. [doi:10.1103/PhysRevD.84.024020](https://doi.org/10.1103/PhysRevD.84.024020)
- [7] M. J. S. Houndjo, "Reconstruction of f(R,T) Gravity Describing Matter Dominated and Accelerated Phases," *International Journal of Modern Physics D*, Vol. 21, 2012, Article ID: 1250003.
- [8] M. J. S. Houndjo and O. F. Piattella, "Reconstructing f(R, T) Gravity from Holographic Dark Energy," *International Journal of Modern Physics D*, Vol. 21, No. 3, 2012, Article ID: 1250024. [doi:10.1142/S0218271812500241](https://doi.org/10.1142/S0218271812500241)
- [9] M. Jamil, D. Momeni, M. Reza and R. Myrzakulov, "Reconstruction of Some Cosmological Models in f(R,T) Gravity," *European Physics Journal C*, Vol. 72, 2012, p. 1999. [doi:10.1140/epjc/s10052-012-1999-9](https://doi.org/10.1140/epjc/s10052-012-1999-9)
- [10] S. Nojiri, S. D. Odintsov and D. Saez-Domez, "Cosmological Reconstruction of Realistic Modified F(R) Gravities," *Physical Letter B*, Vol. 681, No. 1, 2009, pp. 74-80. [doi:10.1016/j.physletb.2009.09.045](https://doi.org/10.1016/j.physletb.2009.09.045)
- [11] M. J. S. Houndjo, C. E. M. Batista, J. P. Campos and O. F. Piattella, "Finite-Time Singularities in f(R,T) and the Effect of Conformal Anomaly," arXiv: 1203.6084 [gr-qc].
- [12] J. Santos, J. S. Alcaniz, N. Pires and M. J. Reboucas, "Energy Conditions and Cosmic Acceleration," *Physical Review D*, Vol. 75, No. 8, 2007, Article ID: 083523. [doi:10.1103/PhysRevD.75.083523](https://doi.org/10.1103/PhysRevD.75.083523)
- [13] S. E. Perez Bergliaffa, "Constraining f(R) Theories with the Energy Conditions," *Physical Letter B*, Vol. 642, No. 4, 2006, pp. 311-314. [doi:10.1016/j.physletb.2006.10.003](https://doi.org/10.1016/j.physletb.2006.10.003)
- [14] J. D. Barrow and D. J. Shaw, "The Value of the Cosmological Constant," *General Relativity and Gravitation*, Vol. 43, No. 10, 2011, pp. 2555-2560. [doi:10.1007/s10714-011-1199-1](https://doi.org/10.1007/s10714-011-1199-1)
- [15] J. Santos and J. S. Alcaniz, *Physical Letter B*, Vol. 619, 2005, p. 11; M. Visser, *Science*, Vol. 276, 1997, p. 88; *Physical Review D*, Vol. 56, 1997, p. 7578.
- [16] D. Brown, "Action Functional for Relativistic Perfect Fluids," *Classical and Quantum Gravity*, Vol. 10, No. 8, 1993, pp. 1579-1606. [doi:10.1088/0264-9381/10/8/017](https://doi.org/10.1088/0264-9381/10/8/017)
- [17] N. M. García, T. Harko, F. S. N. Lobo and J. P. Mimoso, "Energy Conditions in Modified Gauss-Bonnet Gravity," *Physical Review D*, Vol. 83, 2011, Article ID: 104032.
- [18] S. W. Hawking and G. F. R. Ellis, "The Large Structure of Space-Time," Cambridge University Press, Cambridge 1999.
- [19] M. O. Tahim, R. R. Landim and C. A. S. Almeida, "Space-time as a Deformable Solid," arXiv: 0705.4120 [gr-qc].
- [20] A. de la Cruz-Dombriz and D. Saez-Gomez.