

The 3–fold vertex via stable pairs

RAHUL PANDHARIPANDE

RICHARD P THOMAS

The theory of stable pairs in the derived category yields an enumerative geometry of curves in 3–folds. We evaluate the equivariant vertex for stable pairs on toric 3–folds in terms of weighted box counting. In the toric Calabi–Yau case, the result simplifies to a new form of pure box counting. The conjectural equivalence with the DT vertex predicts remarkable identities.

The equivariant vertex governs primary insertions in the theory of stable pairs for toric varieties. We consider also the descendent vertex and conjecture the complete rationality of the descendent theory for stable pairs.

14N35; 14M25, 14D20, 14J30

0 Introduction

0.1 Overview

Let X be a nonsingular 3–fold, and let

$$\beta \in H_2(X, \mathbb{Z})$$

be a nonzero class. We are interested here in the moduli space of stable pairs

$$[\mathcal{O}_X \xrightarrow{s} F] \in P_n(X, \beta)$$

where F is a pure sheaf supported on a Cohen–Macaulay subcurve of X , s is a morphism with 0–dimensional cokernel and

$$\chi(F) = n, \quad [F] = \beta.$$

The space $P_n(X, \beta)$ carries a virtual fundamental class obtained from the deformation theory of complexes in the derived category; see our preprint [14]. A review can be found in Section 1.

If X is toric, we may calculate the stable pairs invariants by localization with respect to the torus action as in Graber and Pandharipande [4]. The outcome is expressed in terms of the associated polyhedron $\Delta(X)$. The edge contributions are related to partition

sums. The vertex contributions, related to box counting, are the most interesting aspect of the geometry.

We calculate the edge and vertex contributions for toric X in terms of weighted partition and box counts. In case X is toric Calabi–Yau, the formulas simplify to pure box counting. The subject is related to dualities in string theory, wall-crossing formulae in the derived category, commutative algebra and the combinatorics of 3–dimensional partitions.

0.2 Toric geometry

Let X be a nonsingular toric 3–fold acted upon by a 3–dimensional complex torus \mathbf{T} . Let $\Delta(X)$ denote the Newton polyhedron of X determined by a polarization. The polyhedron $\Delta(X)$ is the image of X under the moment map.

The vertices of the polyhedron $\Delta(X)$ correspond to fixed points

$$X^{\mathbf{T}} = \{X_\alpha\}$$

of the \mathbf{T} –action. For each X_α , there is a canonical, \mathbf{T} –invariant, affine open chart,

$$U_\alpha \cong \mathbb{C}^3,$$

centered at X_α . We may choose coordinates t_i on \mathbf{T} and coordinates x_i on U_α for which the \mathbf{T} –action on U_α is determined by

$$(0-1) \quad (t_1, t_2, t_3) \cdot x_i = t_i x_i .$$

The edges of $\Delta(X)$ correspond to the \mathbf{T} –invariant lines of X . More precisely, if

$$C_{\alpha\beta} \subset X$$

is a \mathbf{T} –invariant line incident to the fixed points X_α and X_β , then $C_{\alpha\beta}$ corresponds to an edge of $\Delta(X)$ joining the vertices X_α and X_β .

The geometry of $\Delta(X)$ near the edge is determined by the normal bundle $\mathcal{N}_{C_{\alpha\beta}/X}$. If

$$\mathcal{N}_{C_{\alpha\beta}/X} = \mathcal{O}(m_{\alpha\beta}) \oplus \mathcal{O}(m'_{\alpha\beta})$$

then the transition functions between the charts U_α and U_β can be taken to be of the form

$$(0-2) \quad (x_1, x_2, x_3) \mapsto (x_1^{-1}, x_2 x_1^{-m_{\alpha\beta}}, x_3 x_1^{-m'_{\alpha\beta}}) .$$

The curve $C_{\alpha\beta}$ is then defined in these coordinates by $x_2 = x_3 = 0$. If X is Calabi–Yau, then degree of $\mathcal{N}_{C_{\alpha\beta}/X}$ is -2 and

$$m_{\alpha\beta} = m'_{\alpha\beta} \pmod{2} .$$

0.3 Localization

The \mathbf{T} -action on X canonically induces a \mathbf{T} -action on the moduli space of pairs $P_n(X, \beta)$. Our first result is a determination of the \mathbf{T} -fixed loci of $P_n(X, \beta)$. Let

$$\mathbf{Q} \subset P_n(X, \beta)^{\mathbf{T}}$$

be a connected \mathbf{T} -fixed locus.

Theorem 1 \mathbf{Q} is a product of \mathbb{P}^1 's.

The 0-th product of \mathbb{P}^1 is a point. Indeed, if X is a local toric surface, the \mathbf{T} -fixed points of $P_n(X, \beta)$ are isolated. Positive dimensional fixed loci occur only in the fully 3-dimensional setting. [Theorem 1](#) is proven by an explicit characterization of the \mathbf{T} -fixed points in terms of box configurations in [Section 2](#) and [Section 3](#).

Let $[\mathcal{O}_X \rightarrow F] \in \mathbf{Q}$ be a stable pair, and let $C \subset X$ be the Cohen–Macaulay curve obtained from the (scheme-theoretic) support of F . Certainly C has set-theoretic support on the edge curves

$$\bigcup_{\alpha, \beta} C_{\alpha\beta} \subset X.$$

Since C must be \mathbf{T} -invariant, C determines a partition $\mu_{\alpha\beta}$ at each edge. The size $|\mu_{\alpha\beta}|$ of the partition is simply the multiplicity of C along $C_{\alpha\beta}$. The partition $\mu_{\alpha\beta}$ is the same for each stable pair in \mathbf{Q} . All the moduli in \mathbf{Q} are obtained from the vertices.

A complete determination of the \mathbf{T} -equivariant contribution of the \mathbf{T} -fixed locus \mathbf{Q} to the stable pairs theory of X is the main calculation of our paper. The result is easiest to state in the toric Calabi–Yau case for the basic stable pairs invariant

$$(0-3) \quad P_{n, \beta} = \int_{[P_n(X, \beta)]^{\text{vir}}} 1.$$

If X is toric Calabi–Yau, define the restricted contribution of \mathbf{Q} to the invariant $P_{n, \beta}$ by

$$\chi_{\text{top}}(\mathbf{Q}) \cdot (-1)^{n + \sum_{\alpha, \beta} m_{\alpha\beta} |\mu_{\alpha\beta}|}$$

where χ_{top} is the topological Euler characteristic.

Theorem/Conjecture 2 The toric Calabi–Yau invariant $P_{n, \beta}$ is obtained by summing over all components of $P_n(X, \beta)^{\mathbf{T}}$:

$$\begin{aligned} Z_{P, \beta}(q) &= \sum_n P_{n, \beta} q^n \\ &= \sum_n \sum_{\mathbf{Q} \subset P_n(X, \beta)^{\mathbf{T}}} \chi_{\text{top}}(\mathbf{Q}) \cdot (-1)^{n + \sum_{\alpha, \beta} m_{\alpha\beta} |\mu_{\alpha\beta}^{\mathbf{Q}}|} q^n. \end{aligned}$$

We prove [Theorem/Conjecture 2](#) in the local Calabi–Yau toric surface case (where all vertices have at most 2 legs). For the 3–leg case, our derivation at present depends upon conjectural¹ properties of the stable pair space; see [Sections 3.3–3.4](#). We will show the summation of [Theorem/Conjecture 2](#) is a form of box counting.

0.4 Correspondence with DT theory

DT theory (see Donaldson and Thomas [\[3\]](#) and Thomas [\[15\]](#)) is defined by integration against the virtual fundamental class of the moduli space $I_n(X, \beta)$ of ideal sheaves²

$$0 \rightarrow \mathcal{I} \rightarrow \mathcal{O}_X \rightarrow \mathcal{O}_Y \rightarrow 0$$

satisfying

$$\chi(\mathcal{O}_Y) = n, \quad [\mathcal{O}_Y] = \beta \in H_2(X, \mathbb{Z}).$$

In the Calabi–Yau case, the basic invariants are

$$I_{n,\beta} = \int_{[I_n(X,\beta)]^{\text{vir}}} 1.$$

For toric Calabi–Yau 3–folds, the DT invariants have been calculated by localization by Maulik, Nekrasov, Okounkov and Pandharipande [\[9; 10\]](#):

$$\begin{aligned} (0-4) \quad Z_{\text{DT},\beta}(q) &= \sum_n I_{n,\beta} q^n \\ &= \sum_n \sum_{[\mathcal{I}] \subset I_n(X,\beta)^{\text{T}}} (-1)^{n + \sum_{\alpha\beta} m_{\alpha\beta} |\mu_{\alpha\beta}^{\mathcal{I}}|} q^n. \end{aligned}$$

The result [\(0-4\)](#) is parallel to [Theorem/Conjecture 2](#). The edge contributions in DT theory agree exactly with the edge contributions in the theory of stable pairs. The main difference occurs in the vertex contributions. Since the fixed point set

$$I_n(X, \beta)^{\text{T}} \subset I_n(X, \beta)$$

consists of isolated points, the DT result [\(0-4\)](#) is easier to prove than [Section 2](#) for stable pairs. However, the stable pairs result is free of the irrationalities related to unrestricted box counting.

The stable pairs theory is conjectured to be equivalent to DT theory for all 3–folds; see our preprint [\[14\]](#). In case X is toric, the conjecture specializes to the claim

$$Z_{P,\beta}(q) = \frac{Z_{\text{DT},\beta}(q)}{M(-q)^{|X^{\text{T}}|}},$$

¹The Calabi–Yau case is a particular limit of the full \mathbf{T} –equivariant calculation. The conjectural properties are needed to take the limit.

² $I_n(X, \beta)$ is isomorphic to the Hilbert scheme.

where $M(-q)$ is the MacMahon function

$$M(-q) = \prod_{n \geq 1} \frac{1}{(1 - (-q)^n)^n}.$$

The toric equivalence can be further refined to relate only the vertex contributions of the two theories.³ This is discussed in Section 4.

0.5 Descendents

Let X be a nonsingular projective 3-fold. Let

$$\mathbb{F} \rightarrow X \times P_n(X, \beta)$$

denote the universal sheaf.⁴ For a stable pair $[\mathcal{O}_X \rightarrow F] \in P_n(X, \beta)$, the restriction of \mathbb{F} to the fiber

$$X \times [\mathcal{O}_X \rightarrow F] \subset X \times P_n(X, \beta)$$

is canonically isomorphic to F . Let

$$\pi_X: X \times P_n(X, \beta) \rightarrow X,$$

$$\pi_P: X \times P_n(X, \beta) \rightarrow P_n(X, \beta)$$

be the projections onto the first and second factors. Since X is nonsingular and \mathbb{F} is π_P -flat, \mathbb{F} has a finite resolution by locally free sheaves. Hence, the Chern character of the universal sheaf \mathbb{F} on $X \times P_n(X, \beta)$ is well-defined. By definition, the operation

$$\pi_{P*}(\pi_X^*(\gamma) \cdot \text{ch}_{2+i}(\mathbb{F}) \cap (\pi_P^*(\cdot))): H_*(P_n(X, \beta)) \rightarrow H_*(P_n(X, \beta))$$

is the action of the descendent $\tau_i(\gamma)$, where $\gamma \in H^*(X, \mathbb{Z})$.

For nonzero $\beta \in H_2(X, \mathbb{Z})$ and arbitrary $\gamma_i \in H^*(X, \mathbb{Z})$, define the stable pairs invariant with descendent insertions by

$$\begin{aligned} \left\langle \prod_{j=1}^k \tau_{i_j}(\gamma_j) \right\rangle_{n, \beta}^X &= \int_{[P_n(X, \beta)]^{\text{vir}}} \prod_{j=1}^k \tau_{i_j}(\gamma_j) \\ &= \int_{P_n(X, \beta)} \prod_{j=1}^k \tau_{i_j}(\gamma_j) ([P_n(X, \beta)]^{\text{vir}}). \end{aligned}$$

³ The refinement in the Calabi–Yau case is Conjecture 5.1 of [14].

⁴ The existence of the universal sheaf is shown in Section 2.3 of [14].

The partition function is

$$Z_{P,\beta}\left(\prod_{j=1}^k \tau_{i_j}(\gamma_k)\right) = \sum_n \left\langle \prod_{j=1}^k \tau_{i_j}(\gamma_j) \right\rangle_{n,\beta}^X q^n.$$

Since $P_n(X, \beta)$ is empty for sufficiently negative n , $Z_{P,\beta}(\prod_{j=1}^k \tau_{i_j}(\gamma_j))$ is a Laurent series in q .

Conjecture 1 *The partition function $Z_{P,\beta}(\prod_{j=1}^k \tau_{i_j}(\gamma_j))$ is the Laurent expansion of a rational function in q .*

The partition functions with primary insertions (all $i_j = 0$) were conjectured to be rational and, furthermore, conjectured to take a very restrictive BPS form in [14]. The analogue of BPS invariants in the presence of descendants is an interesting question.

The descendent series of both Gromov–Witten theory and DT theory are known to contain irrationalities. [Conjecture 1](#) predicts the descendent theory of stable pairs is much better behaved.

0.6 Vertices

The stable pairs vertices for toric 3–folds in increasing degree of generality are:

- (i) the toric Calabi–Yau vertex,
- (ii) the equivariant vertex,
- (iii) the equivariant descendent vertex.

The vertices (i) and (ii) are discussed in Sections 4 and 5. We treat the localization formulas for the descendent theory in [Section 6](#).

Acknowledgements We thank J Bryan, E Diaconescu, C Faber, D Joyce, S Katz, A Klemm, D Maclagan, D Maulik, G Moore, A Oblomkov, A Okounkov and S Payne for conversations related to stable pairs and box counting. P Hort helped with the figures.

RP was partially supported by NSF grant DMS-0500187 and a Packard foundation fellowship. RT was partially supported by a Royal Society University Research Fellowship.

RT would like to thank the Leverhulme Trust and Columbia University for a visit to New York in the spring of 2007 when the project was started. Lectures on the results were given by RP at the Centre de Recherches Mathématiques in Montréal in the summer of 2007.

1 Stable pairs on 3-folds

1.1 Definitions

Let X be a nonsingular quasi-projective 3-fold over \mathbb{C} with polarization L . Let $\beta \in H_2(X, \mathbb{Z})$ be a nonzero class. The moduli space $P_n(X, \beta)$ parameterizes *stable pairs*

$$(1-1) \quad \mathcal{O}_X \xrightarrow{s} F$$

where F is a sheaf with Hilbert polynomial

$$\chi(F \otimes L^k) = k \int_{\beta} c_1(L) + n$$

and $s \in H^0(X, F)$ is a section. The two stability conditions are:

- (i) the sheaf F is pure with proper support,
- (ii) the section $\mathcal{O}_X \xrightarrow{s} F$ has 0-dimensional cokernel.

By definition, *purity* in (i) means every nonzero subsheaf of F has support of dimension 1; see Huybrechts and Lehn [5]. In particular, purity implies the (scheme theoretic) support C_F of F is a Cohen–Macaulay curve. A quasi-projective moduli space of stable pairs can be constructed by a standard GIT analysis of Quot scheme quotients as in Le Potier [6].

For convenience, we will often refer to the stable pair (1-1) on X simply by (F, s) .

1.2 Virtual class

A central result of [14] is the construction of a virtual class on $P_n(X, \beta)$. The standard approach to the deformation theory of pairs fails to yield an appropriate 2-term deformation theory for $P_n(X, \beta)$. Instead, $P_n(X, \beta)$ is viewed in [14] as a moduli space of complexes in the derived category.

Let $D^b(X)$ be the bounded derived category of coherent sheaves on X . Let

$$I^\bullet = \{\mathcal{O}_X \rightarrow F\} \in D^b(X)$$

be the complex determined by a stable pair. The tangent-obstruction theory obtained by deforming I^\bullet in $D^b(X)$ while fixing its determinant is 2-term and governed by the groups⁵

$$\text{Ext}^1(I^\bullet, I^\bullet)_0, \quad \text{Ext}^2(I^\bullet, I^\bullet)_0.$$

⁵The subscript 0 denotes traceless Ext.

The virtual class

$$[P_n(X, \beta)]^{\text{vir}} \in A_{\dim^{\text{vir}}} (P_n(X, \beta), \mathbb{Z})$$

is then obtain by standard methods [1; 7]. The virtual dimension is

$$\dim^{\text{vir}} = \int_{\beta} c_1(T_X).$$

Apart from the derived category deformation theory, the construction of the virtual class of $P_n(X, \beta)$ is parallel to virtual class construction in DT theory [15].

1.3 Characterization

Consider the kernel/cokernel exact sequence associated to a stable pair (F, s) ,

$$(1-2) \quad 0 \rightarrow \mathfrak{S}_{C_F} \rightarrow \mathcal{O}_X \xrightarrow{s} F \rightarrow Q \rightarrow 0.$$

The kernel is the ideal sheaf of the Cohen–Macaulay support curve C_F by Lemma 1.6 of [14]. The cokernel Q has dimension 0 support by stability. The *reduced* support scheme, $\text{Support}^{\text{red}}(Q)$, is called the *zero locus* of the pair. The zero locus lies on C_F .

Let $C \subset X$ be a fixed Cohen–Macaulay curve. Stable pairs with support C and bounded zero locus are characterized as follows. Let

$$\mathfrak{m} \subset \mathcal{O}_C$$

be the ideal in \mathcal{O}_C of a 0–dimensional subscheme. Since

$$\mathcal{H}om(\mathfrak{m}^r / \mathfrak{m}^{r+1}, \mathcal{O}_C) = 0$$

by the purity of \mathcal{O}_C , we obtain an inclusion

$$\mathcal{H}om(\mathfrak{m}^r, \mathcal{O}_C) \subset \mathcal{H}om(\mathfrak{m}^{r+1}, \mathcal{O}_C).$$

The inclusion $\mathfrak{m}^r \hookrightarrow \mathcal{O}_C$ induces a canonical section

$$\mathcal{O}_C \hookrightarrow \mathcal{H}om(\mathfrak{m}^r, \mathcal{O}_C).$$

Proposition 1 *A stable pair (F, s) with support C satisfying*

$$\text{Support}^{\text{red}}(Q) \subset \text{Support}(\mathcal{O}_C / \mathfrak{m})$$

is equivalent to a subsheaf of $\mathcal{H}om(\mathfrak{m}^r, \mathcal{O}_C) / \mathcal{O}_C$, $r \gg 0$.

Alternatively, we may work with coherent subsheaves of the quasi-coherent sheaf

$$(1-3) \quad \varinjlim \mathcal{H}om(\mathfrak{m}^r, \mathcal{O}_C) / \mathcal{O}_C$$

Under the equivalence of Proposition 1, the subsheaf of (1-3) corresponds to Q , giving a subsheaf F of $\varinjlim \mathcal{H}om(\mathfrak{m}^r, \mathcal{O}_C)$ containing the canonical subsheaf \mathcal{O}_C and the sequence

$$0 \rightarrow \mathcal{O}_C \xrightarrow{s} F \rightarrow Q \rightarrow 0.$$

Proposition 1 is proven in [14].

2 T-fixed points

2.1 Affine charts

Let X be a nonsingular, quasi-projective, toric 3-fold, and let

$$(2-1) \quad [\mathcal{O}_X \xrightarrow{s} F] \in P_n(X, \beta)^{\mathbf{T}}$$

be a \mathbf{T} -fixed stable pair.

Let $X_\alpha \in X^{\mathbf{T}}$ be a \mathbf{T} -fixed point with associated \mathbf{T} -invariant affine chart $U_\alpha \subset X$. The restriction of the stable pair (2-1) to U_α ,

$$(2-2) \quad \mathcal{O}_{U_\alpha} \xrightarrow{s_\alpha} F_\alpha,$$

determines an invariant section s_α of an equivariant sheaf F_α .

Let x_1, x_2, x_3 be coordinates on the affine chart U_α in which the \mathbf{T} -action takes the diagonal form

$$(t_1, t_2, t_3) \cdot x_i = t_i x_i.$$

We will characterize the restricted data (F_α, s_α) in the coordinates x_i .

2.2 Monomial ideals and partitions

Let x_1, x_2 be coordinates on the plane \mathbb{C}^2 . A subscheme $S \subset \mathbb{C}^2$ invariant under the action of the diagonal torus,

$$(t_1, t_2) \cdot x_i = t_i x_i,$$

must be defined by a monomial ideal $\mathfrak{S}_S \subset \mathbb{C}[x_1, x_2]$. If

$$\dim_{\mathbb{C}} \mathbb{C}[x_1, x_2] / \mathfrak{S}_S < \infty$$

then \mathfrak{S}_S determines a finite partition μ_S by considering lattice points corresponding to monomials of $\mathbb{C}[x_1, x_2]$ not contained in \mathfrak{S}_S .

Conversely, each partition μ determines a monomial ideal

$$\mu[x_1, x_2] \subset \mathbb{C}[x_1, x_2].$$

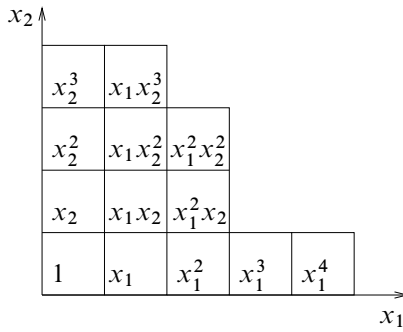


Figure 1: The monomial ideal $(x_2^4, x_1^2x_2^3, x_1^3x_2, x_1^5)$ determines the partition $(4, 4, 3, 1, 1)$.

The ideal associated to the finite partition $(4, 4, 3, 1, 1)$ is displayed in Figure 1.

Similarly, the subschemes $S \subset \mathbb{C}^3$ invariant under the diagonal \mathbf{T} -action are in bijective correspondence with 3-dimensional partitions. The ideal pictured in Figure 2 corresponds to a 3-dimensional partition with infinite legs.

In Figure 1 and Figure 2, the boxes are labelled by the lattice points in the corners with smallest coordinates, a convention which will be followed throughout the paper.

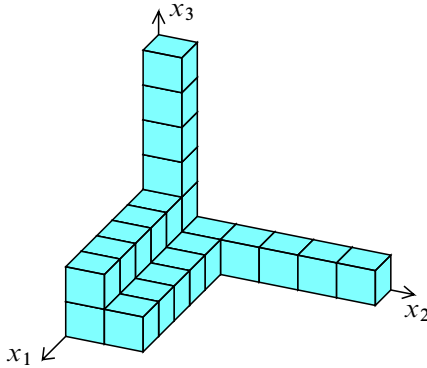


Figure 2: The monomial ideal $(x_1x_2^2, x_1x_3^2, x_2x_3)$ determines the above 3-dimensional partition. The legs in the three coordinate directions are of infinite length.

2.3 Cohen–Macaulay support

The first step in the characterization of the restricted data (2-2) is to determine the scheme-theoretic support C_α of F_α . If nonempty, C_α is a \mathbf{T} -invariant, Cohen–Macaulay subscheme of pure dimension 1.

Let $C \subset \mathbb{C}^3$ be a T -fixed subscheme of pure dimension 1. The subscheme C is defined by a monomial ideal

$$\mathfrak{S}_C \subset \mathbb{C}[x_1, x_2, x_3].$$

associated to the 3-dimensional partition π . The localisations

$$\begin{aligned} (\mathfrak{S}_C)_{x_1} &\subset \mathbb{C}[x_1, x_2, x_3]_{x_1}, \\ (\mathfrak{S}_C)_{x_2} &\subset \mathbb{C}[x_1, x_2, x_3]_{x_2}, \\ (\mathfrak{S}_C)_{x_3} &\subset \mathbb{C}[x_1, x_2, x_3]_{x_3}, \end{aligned}$$

are all T -fixed and each corresponds to a 2-dimensional partition μ^i . Alternatively, the 2-dimensional partitions μ^i can be defined as the infinite limits of the x_i -constant cross-sections of π . In order for C to have dimension 1, not all the μ^i can be empty.

Given a triple $\vec{\mu} = (\mu^1, \mu^2, \mu^3)$ of outgoing partitions, there exists a unique *minimal* T -fixed subscheme

$$C_{\vec{\mu}} \subset \mathbb{C}^3$$

with outgoing partitions μ^i . The 3-dimensional partition corresponding to $C_{\vec{\mu}}$ is obtained by taking the union of the infinite cylinders on the three axes determined by the 2-dimensional partitions μ^i . Let

$$\begin{aligned} \mathfrak{S}_{\mu^1} &= \mu^1[x_2, x_3] \cdot \mathbb{C}[x_1, x_2, x_3], & C_{\mu^1} &= \mathcal{O}_{\mathbb{C}^3} / \mathfrak{S}_{\mu^1}, \\ \mathfrak{S}_{\mu^2} &= \mu^2[x_1, x_3] \cdot \mathbb{C}[x_1, x_2, x_3], & C_{\mu^2} &= \mathcal{O}_{\mathbb{C}^3} / \mathfrak{S}_{\mu^2}, \\ \mathfrak{S}_{\mu^3} &= \mu^3[x_1, x_2] \cdot \mathbb{C}[x_1, x_2, x_3], & C_{\mu^3} &= \mathcal{O}_{\mathbb{C}^3} / \mathfrak{S}_{\mu^3}. \end{aligned}$$

Then $C_{\vec{\mu}}$ is the union $C_{\mu^1} \cup C_{\mu^2} \cup C_{\mu^3}$ with ideal

$$\mathfrak{S}_{\vec{\mu}} = \bigcap_{i=1}^3 \mathfrak{S}_{\mu^i}.$$

If the μ^i are not all empty, then $C_{\vec{\mu}}$ is easily seen to be the unique Cohen–Macaulay T -fixed curve in \mathbb{C}^3 with these outgoing partitions. By convention, let $C_{\emptyset, \emptyset, \emptyset} \subset \mathbb{C}^3$ denote the empty scheme.

Consider the kernel/cokernel sequence associated to the \mathbf{T} -fixed restricted data (2-2),

$$(2-3) \quad 0 \rightarrow \mathfrak{S}_{C_\alpha} \rightarrow \mathcal{O}_{U_\alpha} \xrightarrow{s} F_\alpha \rightarrow Q_\alpha \rightarrow 0.$$

We conclude $C_\alpha = C_{\vec{\mu}}$ where the partitions μ^i are associated to the edges of $\Delta(X)$ incident to the vertex corresponding to X_α .

2.4 Module M

Since the support of the quotient Q_α in (2-3) is both 0-dimensional by stability and \mathbf{T} -fixed, Q_α must be supported at the origin. By Proposition 1, the pair (F_α, s_α) corresponds to a \mathbf{T} -invariant subsheaf of

$$\varinjlim \mathcal{H}om(\mathfrak{m}^r, \mathcal{O}_{C_\alpha}) / \mathcal{O}_{C_\alpha},$$

where \mathfrak{m} is the ideal sheaf of the origin in $C_\alpha \subset \mathbb{C}^3$.

Following the notation of Section 2.3, let $C_\alpha = C_{\bar{\mu}}$. Let

$$M_i = (\mathcal{O}_{C_{\mu^i}})_{x_i}$$

be $\mathbb{C}[x_1, x_2, x_3]$ -module obtained by localisation. So, for instance,

$$M_1 = \mathbb{C}[x_1, x_1^{-1}] \otimes \frac{\mathbb{C}[x_2, x_3]}{\mu^1[x_2, x_3]}.$$

By elementary algebraic arguments,

$$\begin{aligned} \varinjlim \mathcal{H}om(\mathfrak{m}^r, \mathcal{O}_{C_{\bar{\mu}}}) &\cong \bigoplus_{i=1}^3 \varinjlim \mathcal{H}om(\mathfrak{m}^r, \mathcal{O}_{C_{\mu^i}}) \\ &\cong \bigoplus_{i=1}^3 M_i. \end{aligned}$$

The \mathbf{T} -equivariant $\mathbb{C}[x_1, x_2, x_3]$ -module M_i has a canonical \mathbf{T} -invariant element 1. Let

$$M = \bigoplus_{i=1}^3 M_i.$$

By Proposition 1, the \mathbf{T} -fixed pair (F_α, s_α) corresponds to a finitely generated \mathbf{T} -invariant $\mathbb{C}[x_1, x_2, x_3]$ -submodule

$$(2-4) \quad Q_\alpha \subset M / \langle (1, 1, 1) \rangle.$$

Conversely, every finitely generated⁶ \mathbf{T} -invariant $\mathbb{C}[x_1, x_2, x_3]$ -submodule

$$Q \subset M / \langle (1, 1, 1) \rangle$$

occurs as the restriction to U_α of a \mathbf{T} -fixed stable pair on X .

⁶Here, finitely generated is equivalent to finite dimensional or Artinian.

2.5 Box configurations

We now describe the finitely generated \mathbf{T} -invariant $\mathbb{C}[x_1, x_2, x_3]$ -submodules

$$(2-5) \quad Q \subset M / \langle (1, 1, 1) \rangle.$$

via labelled box configurations in the weight space \mathbb{Z}^3 of \mathbf{T} .

For each of the three partitions μ^i , the module M_i may be viewed in the space of \mathbf{T} -weights as an infinite cylinder

$$\text{Cyl}_i \subset \mathbb{Z}^3$$

along the x_i -axis with cross section μ^i . The cylinder extends in both the positive and negative weight directions.

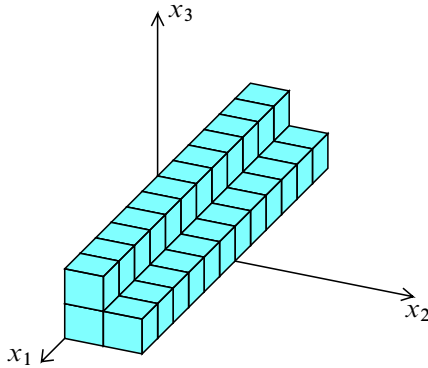


Figure 3: Cylinder associated to the partition (2, 1) along the x_1 -axis in both the positive and negative directions

The module M is obtained by summing the M_i . For every weight w , let $\mathbf{1}_w$, $\mathbf{2}_w$ and $\mathbf{3}_w$ be three independent vectors. A \mathbb{C} -basis for M is determined by the set

$$\{ \mathbf{i}_w \mid w \in \text{Cyl}_i \}.$$

The $\mathbb{C}[x_1, x_2, x_3]$ -module structure on M is clear:

$$x_1 \cdot \mathbf{i}_w = \mathbf{i}_{w+(1,0,0)}, \quad x_2 \cdot \mathbf{i}_w = \mathbf{i}_{w+(0,1,0)}, \quad x_3 \cdot \mathbf{i}_w = \mathbf{i}_{w+(0,0,1)}.$$

The union of the cylinders Cyl_i can be separated into 4 types of weights

$$\bigcup_{i=1}^3 \text{Cyl}_i = \text{I}^+ \cup \text{II} \cup \text{III} \cup \text{I}^- \subset \mathbb{Z}^3,$$

where:

- I^+ consists of all weights which have only nonnegative coordinates *and* which lie in exactly 1 of the cylinders,
- II and III consist of all weights which lie in exactly 2 and 3 cylinders respectively,
- I^- consists of all weights with at least 1 negative coordinate.

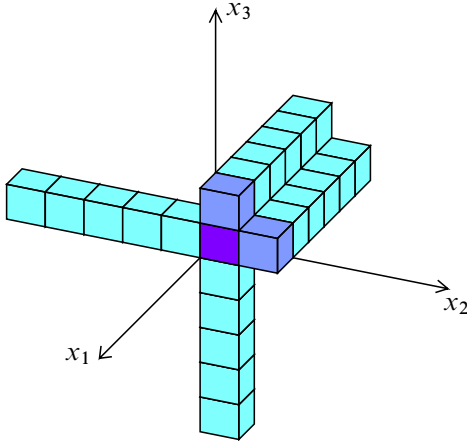


Figure 4: Diagram of boxes of type I^- , II and III distinguished by shading for the partitions $\mu^1 = (2, 1)$, $\mu^2 = (1)$ and $\mu^3 = (1)$

The submodule $\mathcal{O}_{C_{\bar{\mu}}} \subset M$ generated by

$$(1, 1, 1) = \mathbf{1}_0 + \mathbf{2}_0 + \mathbf{3}_0$$

lies entirely in the weight space $I^+ \cup II \cup III$. The quotient $M/\mathcal{O}_{C_{\bar{\mu}}}$, described as a T -module, is supported on $II \cup III \cup I^-$ and has the following \mathbb{C} -basis:

- If $w \in I^-$ is supported on Cyl_i , then

$$\mathbb{C} \cdot \mathbf{i}_w \subset M/\mathcal{O}_{C_{\bar{\mu}}}.$$

- If $w \in II$ is supported on Cyl_i and Cyl_j , then

$$\frac{\mathbb{C} \cdot \mathbf{i}_w \oplus \mathbb{C} \cdot \mathbf{j}_w}{\mathbb{C} \cdot (\mathbf{i}_w + \mathbf{j}_w)} \cong \mathbb{C} \subset M/\mathcal{O}_{C_{\bar{\mu}}}.$$

- If $w \in III$, then

$$\frac{\mathbb{C} \cdot \mathbf{1}_w \oplus \mathbb{C} \cdot \mathbf{2}_w \oplus \mathbb{C} \cdot \mathbf{3}_w}{\mathbb{C} \cdot (1, 1, 1)_w} \cong \mathbb{C}^2 \subset M/\mathcal{O}_{C_{\bar{\mu}}}.$$

Here, $(1, 1, 1)_w = \mathbf{1}_w + \mathbf{2}_w + \mathbf{3}_w$.

A finitely generated T -invariant $\mathbb{C}[x_1, x_2, x_3]$ -submodule

$$Q \subset M/\mathcal{O}_{C_{\bar{u}}}$$

yields the following *labelled box* configuration in $\mathbb{II} \cup \mathbb{III} \cup \mathbb{I}^-$: a finite number of boxes supported on $\mathbb{II} \cup \mathbb{III} \cup \mathbb{I}^-$ where the type \mathbb{III} boxes w may be labelled by an element of

$$\mathbb{P}^1 = \mathbb{P} \left(\frac{\mathbb{C} \cdot \mathbf{1}_w \oplus \mathbb{C} \cdot \mathbf{2}_w \oplus \mathbb{C} \cdot \mathbf{3}_w}{\mathbb{C} \cdot (1, 1, 1)_w} \right).$$

A box signifies the occurrence of the corresponding \mathbf{T} -weight in Q . An unlabelled type \mathbb{III} box signifies the inclusion of the entire 2-dimensional space

$$\frac{\mathbb{C} \cdot \mathbf{1}_w \oplus \mathbb{C} \cdot \mathbf{2}_w \oplus \mathbb{C} \cdot \mathbf{3}_w}{\mathbb{C} \cdot (1, 1, 1)_w} \subset Q.$$

A labelled type \mathbb{III} box signifies the inclusion of only the corresponding 1-dimensional space in Q .

Conversely, given a labelled box configuration, the following rules ensure that the corresponding \mathbf{T} -submodule

$$Q \subset M/\mathcal{O}_C$$

is actually a $\mathbb{C}[x_1, x_2, x_3]$ -submodule:

- (i) If $w = (w_1, w_2, w_3) \in \mathbb{I}^-$ and if any of

$$(w_1 - 1, w_2, w_3), (w_1, w_2 - 1, w_3), (w_1, w_2, w_3 - 1)$$

support a box then w must support a box.

- (ii) If $w \in \mathbb{II}$, $w \notin \text{Cyl}_i$, and if any of

$$(w_1 - 1, w_2, w_3), (w_1, w_2 - 1, w_3), (w_1, w_2, w_3 - 1)$$

support a box *other than a type \mathbb{III} box labelled by the 1-dimensional subspace $\mathbb{C} \cdot \mathbf{i}$* , then w must support a box.

- (iii) If $w \in \mathbb{III}$ and the span of the subspaces of

$$\frac{\mathbb{C} \cdot \mathbf{1}_w \oplus \mathbb{C} \cdot \mathbf{2}_w \oplus \mathbb{C} \cdot \mathbf{3}_w}{\mathbb{C} \cdot (1, 1, 1)_w}$$

induced by boxes supported on

$$(w_1 - 1, w_2, w_3), (w_1, w_2 - 1, w_3), (w_1, w_2, w_3 - 1)$$

is nonzero, then w must support a box. If the span has dimension 1, then w may either support a box labelled by the span or an unlabelled box. If the span has dimension 2, then w must support an unlabelled box.

The *length* of a labelled box configuration is calculated by summing the following contributions over the boxes of the configuration. Boxes of type I⁻ and II contribute length 1 each. A labelled box of type III contributes 1 and an unlabelled box of type III contributes 2.

A labelled box configuration for $M/O_{C_{\vec{\mu}}}$ is said to have *outgoing partitions* μ^1 , μ^2 and μ^3 .

Proposition 2 \mathbf{T} -invariant $\mathbb{C}[x_1, x_2, x_3]$ -submodules of $M/O_{C_{\vec{\mu}}}$ of length l are in bijective correspondence with labelled box configurations satisfying (i)–(iii) with outgoing partitions $\vec{\mu}$ and length l .

Proof Certainly $\mathbb{C}[x_1, x_2, x_3]$ -submodules satisfy (i)–(iii). An elementary analysis shows the converse. \square

Proposition 3 The reduced connected components of the moduli space of \mathbf{T} -invariant $\mathbb{C}[x_1, x_2, x_3]$ -submodules of $M/O_{C_{\vec{\mu}}}$ are products of \mathbb{P}^1 's.

Proof Given a labelled box configuration, let L be the set labelled type III boxes. Define a *path of labelled boxes* to be a sequence of translations of the form $x_i^{\pm 1}$ that stay within L . The set L is divided into disjoint path connected subsets.

Two labelled type III boxes differing by a move of $x_i^{\pm 1}$ must carry the *same* label in \mathbb{P}^1 by rule (iii) above. Hence, all labelled boxes in each path component of L carry the same label.

A path component $P \subset L$ is *restricted* if either of the following two possibilities hold:

- (r₊) There is a box in P which is taken by multiplication by x_i to a type II box of $M/O_{C_{\vec{\mu}}}$ not occurring in the labelled box configuration.
- (r₋) There is a box in P which is taken by multiplication by x_i^{-1} to a type I⁻ box of the configuration.

The label of such a path component P is forced to be a single point of \mathbb{P}^1 by the rule (iii). In the first case above, if the empty type II box is not in Cyl_1 , then the label is forced to be $(1, 0, 0)$. In the second case, if the type I⁻ box is in Cyl_1 , then the label is forced to be $(1, 0, 0)$.

The labellings are the only continuous parameters of the labelled box configurations. For each unrestricted path component of L , the label can take any value in \mathbb{P}^1 . Therefore, the moduli space, as a reduced variety, is simply a product of \mathbb{P}^1 's. \square

We will use the calligraphic symbol $\mathcal{Q}_{\tilde{\mu}}$ to denote components of the moduli space of \mathbf{T} -invariant $\mathbb{C}[x_1, x_2, x_3]$ -submodules of $M/\mathcal{O}_{C_{\tilde{\mu}}}$. By [Proposition 2](#) and [Proposition 3](#), the components \mathcal{Q}_{α} correspond to the discrete data of a labelled box configuration – forgetting the labelling of the labelled type III boxes.

2.6 Local to global

We have determined the \mathbf{T} -fixed restricted data

$$\mathcal{O}_{U_{\alpha}} \xrightarrow{s} F_{\alpha}$$

locally on every \mathbf{T} -invariant affine chart $U_{\alpha} \subset X$. The gluing condition for different charts is simply the matching of edge partitions.

We conclude the \mathbf{T} -fixed points of $P_n(X, \beta)$ exactly arise by distributing labelled box configurations to the vertices of $\Delta(X)$,

$$[X_{\alpha}] \in \mathbb{V}(X) \mapsto \mathcal{Q}_{\alpha},$$

and partitions to the edges,

$$[C_{\alpha\beta}] \in \mathbb{E}(X) \mapsto \mu_{\alpha\beta},$$

compatible with the outgoing partitions at the vertices. The vertex data \mathcal{Q}_{α} determines the edge partitions.

All the moduli in the \mathbf{T} -fixed points of $P_n(X, \beta)$ occur at the vertices. [Proposition 3](#) is half of the proof of [Theorem 1](#). We will complete the proof of [Theorem 1](#) by a Zariski tangent space analysis to show the moduli spaces of \mathbf{T} -invariant $\mathbb{C}[x_1, x_2, x_3]$ -submodules of $M/\mathcal{O}_{C_{\tilde{\mu}}}$ are scheme-theoretically reduced (and hence nonsingular).

3 Tangent spaces

3.1 \mathbf{T} -fixed deformation theory

The scheme structure on $P_n(X, \beta)$ obtained from the moduli of stable pairs coincides with the scheme structure obtained from the moduli of complexes in $D^b(X)$. The Zariski tangent space to $P_n(X, \beta)$ at the stable pair

$$I^{\bullet} = \{\mathcal{O}_X \xrightarrow{s} F\}$$

is $\text{Ext}^0(I^{\bullet}, F)$. Derived category Ext^0 may also be written as Hom .

On each affine chart $U_\alpha \subset X$, the Zariski tangent space to the restricted data

$$I_\alpha^\bullet = \{ \mathcal{O}_{U_\alpha} \xrightarrow{s_\alpha} F_\alpha \}$$

is $\text{Ext}^0(I_\alpha^\bullet, F_\alpha)$. There is a global to local restriction map

$$\text{Ext}^0(I^\bullet, F) \rightarrow \bigoplus_\alpha \text{Ext}^0(I_\alpha^\bullet, F_\alpha)$$

which need not be an isomorphism. However, if the stable pair (F, s) is \mathbf{T} -fixed, we will see the induced map

$$(3-1) \quad \text{Ext}^0(I^\bullet, F)^\mathbf{T} \rightarrow \bigoplus_\alpha \text{Ext}^0(I_\alpha^\bullet, F_\alpha)^\mathbf{T}$$

is an isomorphism. Here, the superscript \mathbf{T} denotes the \mathbf{T} -fixed part, or equivalently, the \mathbf{T} -weight 0 part.

To complete the proof of [Theorem 1](#), we show the Zariski tangent space $\text{Ext}^0(I_\alpha^\bullet, F_\alpha)^\mathbf{T}$ to the \mathbf{T} -fixed data,

$$I_\alpha^\bullet = \{ \mathcal{O}_{U_\alpha} \xrightarrow{s_\alpha} F_\alpha \},$$

described by a labelled box configuration has dimension equal to the number of unrestricted path components of L_α , the set of labelled type III boxes.

The kernel/cokernel sequence (2-3) yields the following sequence of \mathbf{T} -modules:

$$(3-2) \quad 0 \rightarrow \text{Ext}^1(Q_\alpha, F_\alpha) \rightarrow \text{Ext}^0(I_\alpha^\bullet, F_\alpha) \rightarrow \text{Hom}(\mathfrak{S}_{C_\alpha}, F_\alpha).$$

The last term has no 0-weight piece: the \mathbf{T} -weights of \mathfrak{S}_{C_α} lie in the complement in the weight space $\mathbb{Z}_{\geq 0}^3$ of the \mathbf{T} -weights of F_α . As a result,

$$\text{Ext}^0(I_\alpha^\bullet, F_\alpha)^\mathbf{T} \cong \text{Ext}^1(Q_\alpha, F_\alpha)^\mathbf{T}.$$

Also, the vanishing of the last term shows the \mathbf{T} -weight 0 deformations of the restricted data are supported entirely at the origin. As the latter can easily be glued, (3-1) is an isomorphism.

To avoid calculating with quasi-coherent sheaves (or non-finitely generated modules) and passing direct limits through derived functors, we work with a sufficient approximation of M ,

$$M_i^r = \mathcal{H}om(\mathfrak{m}^r, \mathcal{O}_{C_{\mu^i}}), \quad M^r = \bigoplus_{i=1}^3 M_i^r,$$

for $r \gg 0$. Since F_α is a subsheaf of M^r , we obtain

$$(3-3) \quad \text{Hom}(Q_\alpha, M^r) \rightarrow \text{Hom}(Q_\alpha, M^r / F_\alpha) \rightarrow \text{Ext}^1(Q_\alpha, F_\alpha) \rightarrow \text{Ext}^1(Q_\alpha, M^r).$$

Lemma 1 $\text{Hom}(Q_\alpha, M^r)^\mathbf{T} = \text{Ext}^1(Q_\alpha, M^r)^\mathbf{T} = 0$ for $r \gg 0$.

Proof By symmetry, we need only prove $\text{Ext}^i(Q_\alpha, M_1^r)$ has no trivial T -subrepresentations for $i = 0, 1$. Since C_{μ^1} is a product in the x_1 direction and Artinian in the x_2, x_3 -directions, we have

$$\mathfrak{m}^{r+1} \mathcal{O}_{C_{\mu^1}} = (x_1) \mathfrak{m}^r \mathcal{O}_{C_{\mu^1}}, \quad r \gg 0,$$

where (x_1) is the ideal of $\mathcal{O}_{C_{\mu^1}}$ generated by x_1 . The ideal (x_1) is invertible and abstractly isomorphic as a sheaf to $\mathcal{O}_{C_{\mu^1}}$, but twisted by the 1-dimensional representation of \mathbf{T} with character t_1 and associated weight $(1, 0, 0)$.

Therefore, $M_1^{r+1} \cong t_1^{-1} \otimes M_1^r$ and

$$(3-4) \quad \text{Ext}^i(Q_\alpha, M_1^{r+N}) \cong t_1^{-N} \otimes \text{Ext}^i(Q_\alpha, M_1^r).$$

Since $\text{Ext}^i(Q_\alpha, M_1^r)$ is a finite sum of 1-dimensional \mathbf{T} -representations (since Q has 0-dimensional support and is finite dimensional), the \mathbf{T} -module (3-4) has no trivial subrepresentations for $N \gg 0$. □

Putting together Lemma 1, the previous sequences and the stabilization

$$\text{Hom}(Q_\alpha, M/F_\alpha)^\mathbf{T} \cong \varinjlim \text{Hom}(Q_\alpha, M^r/F_\alpha)^\mathbf{T},$$

we conclude that

$$\text{Ext}^0(I_\alpha^\bullet, F_\alpha)^\mathbf{T} \cong \text{Hom}(Q_\alpha, M/F_\alpha)^\mathbf{T}$$

for $r \gg 0$.

Proposition 4 *The dimension of $\text{Hom}(Q_\alpha, M/F_\alpha)^\mathbf{T}$ equals the number of unrestricted path components of L_α .*

Proof The \mathbf{T} -weights w of Q_α lie in $\text{I}^- \cup \text{II} \cup \text{III}$ and are a subset of the weights of F_α . The latter are a subset of the weights of M . We analyse each type in turn.

If w lies in I^- , then w appears in M with multiplicity 1 and so does not appear in M/F_α . Thus, the \mathbf{T} -weights of Q in I^- do not contribute to $\text{Hom}(Q, M/F_\alpha)^\mathbf{T}$.

If w lies in II , then w appears in both F_α and M with multiplicity 2. Again, w does not appear in M/F_α and so does not contribute to $\text{Hom}(Q, M/F_\alpha)^\mathbf{T}$. Similarly, if w lies in III with multiplicity 2, then w appears in both F_α and M with multiplicity 3 and does not contribute to $\text{Hom}(Q_\alpha, M/F_\alpha)^\mathbf{T}$.

If w lies in III with multiplicity 1, then w appears in F_α with multiplicity 2 but in M with multiplicity 3. The multiplicity of w in M/F_α is 1. Thus, we find an at most a

1–dimensional subspace of $\text{Hom}(Q_\alpha, M/F_\alpha)^T$ corresponding to such w . However, the analysis used in the proof of Proposition 3 shows that the $\mathbb{C}[x_1, x_2, x_3]$ –module structure forces any morphism in the w –box to be equal to the morphism in any other box in the same path component of L_α . And, if the path component is restricted, then the morphism is 0 over the whole path component.

Therefore, $\text{Hom}(Q_\alpha, M/F_\alpha)^T$ has dimension equal to the number of unrestricted path components of L_α . □

Proposition 3 and Proposition 4 imply Theorem 1. Proposition 3 provides a description of the reduced \mathbf{T} –fixed components of $P_n(X, \beta)$. The \mathbf{T} –fixed Zariski tangent space obtained from Proposition 4 establishes the nonsingularity of the scheme structure.

Let $\mathbf{Q} \subset P_n(X, \beta)$ be a component of the \mathbf{T} –fixed locus. We have proven

$$\mathbf{Q} = \prod_{[X_\alpha] \in \mathcal{V}(X)} Q_\alpha$$

where Q_α is a component of moduli space of labelled box configurations. Each element of \mathbf{Q} can be described by a labelled box configuration

$$[X_\alpha] \in \mathcal{V}(X) \mapsto Q_\alpha$$

at each vertex. We will follow the above notation throughout the paper.

3.2 \mathbf{T}_0 –fixed deformation theory

Let X be a toric Calabi–Yau 3–fold with canonical form

$$\omega \in H^0(X, K_X)$$

invariant under a 2–dimensional subtorus $\mathbf{T}_0 \subset \mathbf{T}$. On the affine chart

$$\mathbb{C}^3 \cong U_\alpha \subset X,$$

the subtorus \mathbf{T}_0 must act trivially on the form $dx_1 \wedge dx_2 \wedge dx_3$ and hence must be defined by

$$\mathbf{T}_0 = \{ (t_1, t_2, t_3) \in \mathbf{T} \mid t_1 t_2 t_3 = 1 \}.$$

Consider the \mathbf{T} –fixed restricted data studied above,

$$I_\alpha^\bullet = \{ \mathcal{O}_{U_\alpha} \xrightarrow{s_\alpha} F_\alpha \}.$$

Certainly I_α^\bullet is also \mathbf{T}_0 –fixed.

Lemma 2 $\text{Hom}(\mathfrak{S}_{C_\alpha}, F_\alpha)$ contains no \mathbf{T}_0 –fixed representation.

Proof The space $\text{Hom}(\mathfrak{S}_{C_\alpha}, F_\alpha)^{\mathbf{T}_0}$ may be decomposed as a direct sum of weight spaces for the quotient torus $\mathbb{C}^* \cong \mathbf{T}/\mathbf{T}_0$. Homomorphisms of \mathbb{C}^* -weight $w \in \mathbb{Z}$ multiply the \mathbf{T} -submodules of \mathfrak{S}_{C_α} by $(x_1 x_2 x_3)^w$ to give \mathbf{T} -submodules of F_α .

We have seen in Section 3.1 there are no such homomorphisms of \mathbb{C}^* -weight 0. The same argument shows the nonexistence in the positive weight case. The \mathbf{T} -weights of $(x_1 x_2 x_3)^{w \geq 0} \mathfrak{S}_{C_\alpha}$ all lie in the complement in $\mathbb{Z}_{\geq 0}^3$ of the \mathbf{T} -weights of F_α . Since

$$F_\alpha \subset M = \bigoplus_{i=1}^3 M_i,$$

the vanishing of all \mathbf{T}_0 -fixed homomorphisms of \mathbb{C}^* -weight $w < 0$ between \mathfrak{S}_{C_α} and M_i implies the Lemma.

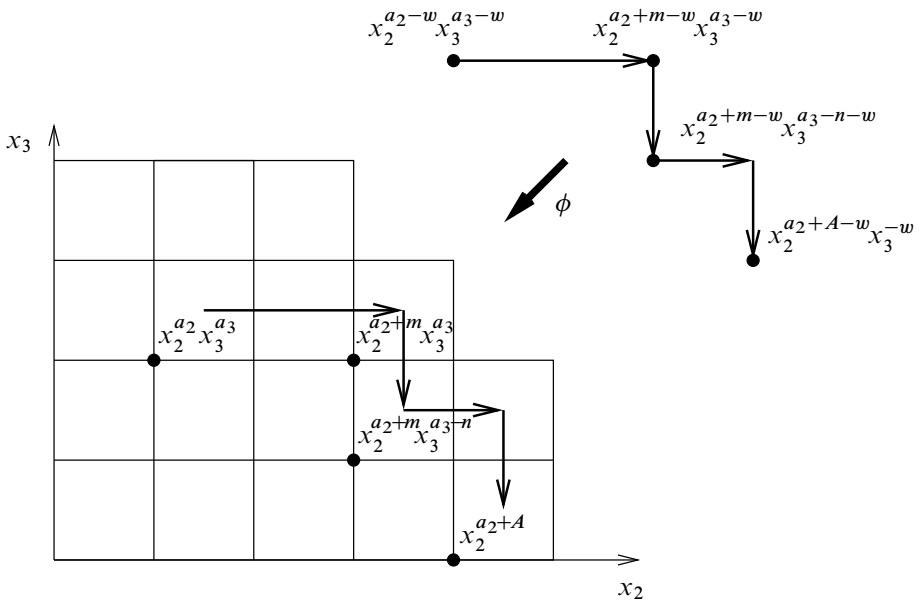


Figure 5: The partition $\mu^1[x_2, x_3]$

In fact, by symmetry, we need only study M_1 . We write

$$M_1 = \mathbb{C}[x_1, x_1^{-1}] \otimes_{\mathbb{C}} \frac{\mathbb{C}[x_2, x_3]}{\mu^1[x_2, x_3]}$$

for the outgoing partition μ^1 . Let $\phi \in \text{Hom}(\mathfrak{S}_{C_\alpha}, M_1)^{\mathbf{T}_0}$ be homomorphism of \mathbb{C}^* -weight $w < 0$. Pick a nonzero element

$$x_1^{a_1} x_2^{a_2} x_3^{a_3} \in \text{Im}(\phi) \subset M_1.$$

Then, perhaps after scaling, we have

$$\phi(x_1^{a_1-w} x_2^{a_2-w} x_3^{a_3-w}) = x_1^{a_1} x_2^{a_2} x_3^{a_3},$$

where $x_1^{a_1-w} x_2^{a_2-w} x_3^{a_3-w} \in \mathfrak{S}_{C_\alpha}$.

By multiplying by x_1^N if necessary, we may assume that $a_1 \gg 0$. In the limit, we may see the problem as essentially two dimensional in the variables x_2, x_3 .

There is a maximal $m \geq 0$ satisfying

$$0 \neq x_2^{a_2+m} x_3^{a_3} \in \frac{\mathbb{C}[x_2, x_3]}{\mu^1[x_2, x_3]}.$$

Such a monomial $x_2^{a_2+m} x_3^{a_3}$ is said to be x_2 -maximal. Consider the set

$$S = \{ n' \geq 0 \mid x_2^{a_2+m} x_3^{a_3-n'} \text{ is not } x_2\text{-maximal} \}.$$

Let n be the minimal element of S . If S is empty, let $n = a_3$. Unless $a_3 = 0$, n must be positive. See Figure 5.

By the minimality of n and the strict negativity of w ,

$$x_2^{a_2+m-w} x_3^{a_3-n-w} \in \mu^1[x_2, x_3] \subset \mathbb{C}[x_2, x_3].$$

Since $a_1 \gg 0$, we also have $x_1^{a_1-w} x_2^{a_2+m-w} x_3^{a_3-n-w} \in \mathfrak{S}_{C_\alpha}$. Then,

$$x_3^n \phi(x_1^{a_1-w} x_2^{a_2+m-w} x_3^{a_3-n-w}) = x_1^{a_1} x_2^{a_2+m} x_3^{a_3}$$

is nonzero in M_1 . We find

$$\phi(x_1^{a_1-w} x_2^{a_2+m-w} x_3^{a_3-n-w}) = x_1^{a_1} x_2^{a_2+m} x_3^{a_3-n} \neq 0.$$

We have found another nonzero element of M_1 in the image of ϕ with smaller x_3 exponent.

Inductively, we reduce the x_3 exponent to 0; see Figure 5. We find there is an $A \geq 0$ for which $x_1^{a_1-w} x_2^{a_2+A-w} x_3^{-w} \in \mathfrak{S}_C$ and

$$\phi(x_1^{a_1-w} x_2^{a_2+A-w} x_3^{-w}) = x_1^{a_1} x_2^{a_2+A}$$

is nonzero in M_1 . After multiplying by a nonnegative power of x_2 , we may also assume $x_2^{a_2+A}$ to be x_2 -maximal. Hence,

$$x_2^{a_2+A-w} \in \mu^1[x_2, x_3], \quad x_1^{a_1-w} x_2^{a_2+A-w} \in \mathfrak{S}_C.$$

We now obtain a contradiction since

$$\phi(x_1^{a_1-w} x_2^{a_2+A-w} x_3^{-w}) = x_1^{a_1} x_2^{a_2+A} = x_3^{-w} \phi(x_1^{a_1-w} x_2^{a_2+A-w})$$

and $\phi(x_1^{a_1-w} x_2^{a_2+A-w}) = 0$ since its third \mathbf{T} -weight is negative. □

Lemma 2 and the \mathbf{T}_0 -fixed part of sequence (3-2) imply the local to global sequence is an isomorphism for \mathbf{T} -fixed stable pairs:

$$(3-5) \quad \text{Ext}^0(I^\bullet, F)^{\mathbf{T}_0} \cong \bigoplus_{\alpha} \text{Ext}^0(I_{\alpha}^\bullet, F_{\alpha})^{\mathbf{T}_0}$$

Also, since the proof of **Lemma 1** is valid for \mathbf{T}_0 in place of \mathbf{T} , we obtain the following result.

Lemma 3 *The Zariski tangent space $\text{Ext}^0(I_{\alpha}^\bullet, F_{\alpha})^{\mathbf{T}_0}$ to the \mathbf{T}_0 -fixed locus is equal to $\text{Hom}(Q_{\alpha}, M/F_{\alpha})^{\mathbf{T}_0}$.*

3.3 Nonsingularity

The question of the nonsingularity of the \mathbf{T}_0 -fixed loci

$$P_n(X, \beta)^{\mathbf{T}_0} \subset P_n(X, \beta)$$

is very natural and plays a crucial role in our study of the Calabi–Yau vertex.

Conjecture 2 *The loci $P_n(X, \beta)^{\mathbf{T}_0}$ are nonsingular.*

By the local to global relation of tangent spaces (3-5), **Conjecture 2** is equivalent to the nonsingularity of the moduli space of \mathbf{T}_0 -invariant submodules of $M/O_{C_{\bar{\mu}}}$.

A *local toric surface* is the total space of a toric line bundle over a toric surface. If X is a local toric surface, The restricted supports C_{α} have only 1 or 2 legs. By **Proposition 3** and **Proposition 4**, the loci $P_n(X, \beta)^{\mathbf{T}}$ are isolated points. **Lemma 3** easily implies the tangent space $\text{Ext}^0(I_{\alpha}^\bullet, F_{\alpha})^{\mathbf{T}_0}$ to the restricted data is 0, so the \mathbf{T}_0 -fixed Zariski tangent space is no larger. Hence **Conjecture 2** is proven in the local toric surface case.

Conjecture 2 would follow in general if the tangent vectors

$$\text{Hom}(Q_{\alpha}, M/F_{\alpha})^{\mathbf{T}_0}$$

to the restricted data could be exponentiated. The latter is an essentially combinatorial condition which holds in all the examples we have studied.

3.4 Dimension

For any finite \mathbf{T} -module K , let

$$\chi_K(t_1, t_2, t_3) \in \mathbb{Z}[t_1^\pm, t_2^\pm, t_3^\pm]$$

be the \mathbf{T} -character, and let

$$\bar{\chi}_K(t_1, t_2, t_3) = \chi_K(t_1^{-1}, t_2^{-1}, t_3^{-1}).$$

Define the Laurent polynomial γ_K by

$$\gamma_K = \chi_K - \chi_K \bar{\chi}_K \frac{(1-t_1)(1-t_2)}{t_1 t_2}.$$

Finally, let

$$\gamma_{K,0}(t_1, t_2) = \gamma_K(t_1, t_2, t_1^{-1} t_2^{-1}) \in \mathbb{C}[t_1^\pm, t_2^\pm].$$

Let $\text{Con}(K, 0)$ be the *constant* term of $\gamma_{K,0}$.

Given \mathbf{T} -fixed restricted data (F_α, s_α) , let F_α^c be the finite length \mathbf{T} -module obtained by cutting off⁷ the infinite legs of F_α in the 3 positive directions. The parity of the dimension of the \mathbf{T}_0 -fixed tangent space is determined by the following result.

Conjecture 3 For all suitably large cut-offs F_α^c ,

$$\dim_{\mathbb{C}} \text{Ext}^0(I_\alpha^\bullet, F_\alpha^c)^{\mathbf{T}_0} = \text{Con}(F_\alpha^c, 0) \pmod{2}.$$

If the support curve C_α has 1 or 2 legs, we have seen the dimension of $\text{Ext}^0(I_\alpha^\bullet, F_\alpha^c)^{\mathbf{T}_0}$ is 0. **Conjecture 3** then asserts that $\text{Con}(F_\alpha^c, 0)$ is *even*. The proof is easily obtained by box removal in the manner described in Section 4.11 of [9]. We leave the details to the reader.

If the parity of the dimensions of the Zariski tangent spaces to $P_n(X, \beta)$ were constant in families of stable pairs, **Conjecture 3** would be very natural. It is tempting to look for a formal proof of the even jumping of tangent dimensions via an appropriate symplectic form in the ambient geometry.

Unfortunately, we know the conservation of the parity of the Zariski tangent spaces is *false* in general. An example can be found in a $K3$ -fibration,

$$\epsilon: X \rightarrow \mathbb{P}^1,$$

⁷The cut-offs may be taken to be simple cuts perpendicular to the axes. Since we are only interested in suitably large cut-offs, cuts which are finitely jagged are also fine to consider as well.

where the fiber X_0 over $0 \in \mathbb{P}^1$ is a $K3$ surface with a fully obstructed⁸ A_2 -configuration

$$L_1 \cup L_2 \subset X_0.$$

Here, L_1 and L_1 are (-2) -curves meeting transversely in a point,

$$\chi(\mathcal{O}_{L_1 \cup L_2}) = 1.$$

The Zariski tangent spaces of $P_2(X, [L_1] + [L_2])$ are seen to jump from 1-dimension to 2-dimensions.⁹

The sign of Conjecture 3 is therefore not purely formal and depends essentially on toric geometry. In fact, the sign may be viewed as the only aspect of the Calabi–Yau vertex calculation which is not purely formal.¹⁰

4 Equivariant vertex

4.1 Localization

Let X be a nonsingular, quasi-projective, toric 3-fold. The \mathbf{T} -equivariant obstruction theory of $P_n(X, \beta)$ obtained from deformations in $D^b(X)$ admits a 2-term \mathbf{T} -equivariant free resolution

$$(4-1) \quad E^{-1} \rightarrow E^0$$

(see [14]). Denote the dual of the restriction of (4-1) to a component \mathbf{Q} of the \mathbf{T} -fixed locus

$$v: \mathbf{Q} \hookrightarrow P_n(X, \beta),$$

by $E_{\mathbf{Q},0} \rightarrow E_{\mathbf{Q},1}$.

The \mathbf{T} -action on (4-1) restricts to a fiberwise \mathbf{T} -action. Let $E_{\mathbf{Q},i}^{\mathbf{T}}$ and $E_{\mathbf{Q},i}^m$ denote the subbundles with 0 and nonzero characters respectively. A \mathbf{T} -fixed obstruction theory on \mathbf{Q} is obtained from

$$E_{\mathbf{Q},0}^{\mathbf{T}} \rightarrow E_{\mathbf{Q},1}^{\mathbf{T}}.$$

Let $[\mathbf{Q}]^{\text{vir}}$ be the associated virtual class [4].

⁸Here, we require the algebraic classes $[L_1]$, $[L_2]$ and $[L_1] + [L_2]$ are all obstructed to first order in the family ϵ .

⁹A similar odd jumping phenomena can be found in the moduli space $I_2(X, [L_1] + [L_2])$ of ideal sheaves.

¹⁰A position taken by J Bryan

By the virtual localization formula [4] we have

$$\sum_{\mathbf{Q} \subset P_n(X, \beta)} \iota_* \left(\frac{e(E_{\mathbf{Q},1}^m)}{e(E_{\mathbf{Q},0}^m)} \cap [\mathbf{Q}]^{\text{vir}} \right) = [P_n(X, \beta)]^{\text{vir}} \in A_*^{\mathbf{T}}(P_n(X, \beta))_{\text{loc}}.$$

Here, e denotes the \mathbf{T} -equivariant Euler class, or equivalently, the top Chern class. The formula holds in the localized \mathbf{T} -equivariant Chow ring of $P_n(X, \beta)$.

4.2 \mathbf{T} -fixed obstruction theory

The data of the \mathbf{T} -fixed obstruction theory on \mathbf{Q} includes a morphism ϕ to the cotangent complex,

$$[(E_{\mathbf{Q}}^{-1})^{\mathbf{T}} \rightarrow (E_{\mathbf{Q}}^0)^{\mathbf{T}}] \xrightarrow{\phi} L_{\mathbf{Q}}^{\bullet},$$

for which $h^0(\phi)$ is an isomorphism and $h^{-1}(\phi)$ is a surjection. Since \mathbf{Q} is nonsingular by Theorem 1, the 2-term cut-off of the cotangent complex of \mathbf{Q} can be taken simply to be

$$L_{\mathbf{Q}}^{\bullet} = [0 \rightarrow \Omega_{\mathbf{Q}}].$$

We can, after exchanging E^{\bullet} , assume the morphism ϕ is represented by a map of complexes. Then, the sequence

$$(E_{\mathbf{Q}}^{-1})^{\mathbf{T}} \rightarrow (E_{\mathbf{Q}}^0)^{\mathbf{T}} \xrightarrow{\phi^0} \Omega_{\mathbf{Q}} \rightarrow 0$$

is exact. The kernel on the left is a bundle K , and

$$[\mathbf{Q}]^{\text{vir}} = e(K^{\vee}) \cap [\mathbf{Q}]$$

by the definition of the virtual class [1].

Let $T_{\mathbf{Q}}$ denote the tangent bundle of \mathbf{Q} . The obstruction bundle K^{\vee} is determined in K -theory by

$$(4-2) \quad [K^{\vee}] = [E_{\mathbf{Q},1}^{\mathbf{T}}] - [E_{\mathbf{Q},0}^{\mathbf{T}}] + [T_{\mathbf{Q}}].$$

The formal Euler class expression

$$e(T_{\mathbf{Q}}) \cdot \frac{e(E_{\mathbf{Q},1}^{\mathbf{T}})}{e(E_{\mathbf{Q},0}^{\mathbf{T}})} \in A^*(\mathbf{Q})$$

is therefore well-defined and equal to $e(K^{\vee})$.

Together with the localization formula, we obtain the following result:

$$(4-3) \quad \sum_{\mathbf{Q} \subset P_n(X, \beta)} \iota_* \left(e(T_{\mathbf{Q}}) \cdot \frac{e(E_{\mathbf{Q},1})}{e(E_{\mathbf{Q},0})} \cap [\mathbf{Q}] \right) = [P_n(X, \beta)]^{\text{vir}}$$

in $A_*^{\mathbf{T}}(P_n(X, \beta))_{\text{loc}}$.

4.3 Local to global

We will calculate the difference

$$(4-4) \quad [E_{\mathbf{Q},0}] - [E_{\mathbf{Q},1}]$$

in the \mathbf{T} -equivariant K -theory of \mathbf{Q} . Consider a stable pair

$$I^\bullet = \{\mathcal{O}_X \xrightarrow{s} F\}, \quad [I^\bullet] \in \mathbf{Q}.$$

The difference (4-4) restricted to $[I^\bullet] \in \mathbf{Q}$ is simply the virtual tangent space¹¹

$$(4-5) \quad \mathcal{T}_{[I^\bullet]} = \text{Ext}^1(I^\bullet, I^\bullet) - \text{Ext}^2(I^\bullet, I^\bullet).$$

Our first goal is a canonical calculation of the \mathbf{T} -representation (4-5) relatively over \mathbf{Q} .

By [14], the virtual tangent space at I^\bullet is given by

$$\mathcal{T}_{[I^\bullet]} = \chi(\mathcal{O}, \mathcal{O}) - \chi(I^\bullet, I^\bullet)$$

where

$$\chi(F^\bullet, G^\bullet) = \sum_{i=0}^3 (-1)^i \text{Ext}^i(F^\bullet, G^\bullet).$$

We can compute each Euler characteristic using the local to global spectral sequence

$$\chi(I^\bullet, I^\bullet) = \sum_{i,j=0}^3 (-1)^{i+j} H^i(\mathcal{E}xt^j(I^\bullet, I^\bullet)) = \sum_{i,j=0}^3 (-1)^{i+j} \mathfrak{C}^i(\mathcal{E}xt^j(I^\bullet, I^\bullet)),$$

where, in the second equality, we have replaced the cohomology terms with the Cech complex with respect to the open affine cover $\{U_\alpha\}$. Though the modules of the Cech complex are infinite-dimensional, they have finite-dimensional weight spaces and, therefore, their \mathbf{T} -character is well defined as a formal power series.

Since F is supported on the \mathbf{T} -invariant curves corresponding to the edges of $\Delta(X)$, we have $I^\bullet = \mathcal{O}_X$ on the intersection of three or more U_α . Therefore, only the \mathfrak{C}^0 and \mathfrak{C}^1 terms contribute to the calculation. We find

$$(4-6) \quad \mathcal{T}_{[I^\bullet]} = \bigoplus_{\alpha} \left(\Gamma(U_\alpha) - \sum_i (-1)^i \Gamma(U_\alpha, \mathcal{E}xt^i(I^\bullet, I^\bullet)) \right) - \bigoplus_{\alpha, \beta} \left(\Gamma(U_{\alpha\beta}) - \sum_i (-1)^i \Gamma(U_{\alpha\beta}, \mathcal{E}xt^i(I^\bullet, I^\bullet)) \right).$$

¹¹Tracelessness is automatic for toric varieties.

The calculation of $\mathcal{T}_{[I^\bullet]}$ is reduced to a sum over all the vertices and edges of $\Delta(X)$. We have the restrictions of I^\bullet ,

$$I_\alpha^\bullet \in D^b(U_\alpha), \quad I_{\alpha\beta}^\bullet \in D^b(U_{\alpha\beta}),$$

and we need to compute

$$\begin{aligned} \Gamma(U_\alpha) &= \sum_i (-1)^i \text{Ext}^i(I_\alpha^\bullet, I_\alpha^\bullet), \\ \Gamma(U_{\alpha\beta}) &= \sum_i (-1)^i \text{Ext}^i(I_{\alpha\beta}^\bullet, I_{\alpha\beta}^\bullet). \end{aligned}$$

The vertex and edge cases will be treated separately.

A similar strategy was pursued in [9] to calculate the DT invariants of toric 3–folds. The difference here occurs entirely in the vertex terms. The edge terms are identical.

4.4 Vertex calculation

Let R be the coordinate ring

$$R = \mathbb{C}[x_1, x_2, x_3] \cong \Gamma(U_\alpha).$$

Following the conventions of Section 0.2, the \mathbf{T} –action on R is

$$(t_1, t_2, t_3) \cdot x_i = t_i x_i.$$

Let $\mathbb{I}_\alpha^\bullet$ denote the universal complex on $\mathcal{Q}_\alpha \times U_\alpha$. Consider a \mathbf{T} –equivariant free resolution of $\mathbb{I}_\alpha^\bullet$

$$(4-7) \quad \{\widehat{\mathcal{F}}_s \rightarrow \dots \rightarrow \widehat{\mathcal{F}}_1\} \cong \mathbb{I}_\alpha^\bullet \in D^b(\mathcal{Q}_\alpha \times U_\alpha).$$

Each term in (4-7) can be taken to have the form

$$\widehat{\mathcal{F}}_i = \bigoplus_j \mathcal{L}_{ij} \otimes R(d_{ij}), \quad d_{ij} \in \mathbb{Z}^3,$$

where $\mathcal{L}_{ij} \in \text{Pic}(\mathcal{Q}_\alpha)$. The Poincaré polynomial

$$P_\alpha = \sum_{i,j} (-1)^i [\mathcal{L}_{ij}] \otimes t^{d_{ij}} \in K(\mathcal{Q}_\alpha) \otimes_{\mathbb{Z}} \mathbb{Z}[t_1^\pm, t_2^\pm, t_3^\pm]$$

does not depend on the choice of the resolution (4-7). We require the K –theoretic data to keep track of twisting over \mathcal{Q}_α .

We denote the \mathbf{T} –character of F_α by F_α . By Theorem 1 and the sequence

$$0 \rightarrow \mathcal{O}_{C_\alpha} \rightarrow F_\alpha \rightarrow \mathcal{Q}_\alpha \rightarrow 0,$$

we have a complete understanding of the representation F_α . The \mathbf{T} -eigenspaces of F_α correspond to the \mathbf{T} -eigenspaces of \mathcal{O}_{C_α} and the boxes of the labelled configuration associated to Q_α . The boxes contributes monomials to F_α . For each unrestricted path component $P \subset L_\alpha$, let \mathbb{P}_P denote the associated factor of Q_α . For every labelled box in P , we tensor the corresponding character by $\mathcal{O}_{\mathbb{P}_P}(-1)$. The K -theory factors associated to \mathcal{O}_{C_α} and the unlabelled boxes are trivial. Of course, an unlabelled type III box contributes twice. The result determines

$$F_\alpha \in K(Q_\alpha) \otimes_{\mathbb{Z}} \mathbb{Z}(t_1, t_2, t_3).$$

The rational dependence on the t_i is elementary.

From the resolution (4-7), we see that the Poincaré polynomial P_α is related to the \mathbf{T} -character of F_α as follows:

$$(4-8) \quad F_\alpha = \frac{1 + P_\alpha}{(1 - t_1)(1 - t_2)(1 - t_3)}.$$

Hence, we may effectively compute P_α .

The family $\chi(\mathbb{I}_\alpha^\bullet, \mathbb{I}_\alpha^\bullet)$ of virtual representations over Q_α is given by the following alternating sum

$$\begin{aligned} \chi(\mathbb{I}_\alpha^\bullet, \mathbb{I}_\alpha^\bullet) &= \sum_{i,j,k,l} (-1)^{i+k} \mathcal{L}_{ij} \otimes \mathcal{L}_{kl}^\vee \otimes \text{Hom}_R(R(d_{ij}), R(d_{kl})) \\ &= \sum_{i,j,k,l} (-1)^{i+k} \mathcal{L}_{ij} \otimes \mathcal{L}_{kl}^\vee \otimes R(d_{kl} - d_{ij}). \end{aligned}$$

Therefore, the \mathbf{T} -character is

$$\text{tr}_{\chi(\mathbb{I}_\alpha, \mathbb{I}_\alpha)} = \frac{P_\alpha \bar{P}_\alpha}{(1 - t_1)(1 - t_2)(1 - t_3)}.$$

The dual bar operation

$$\gamma \in K(Q_\alpha) \otimes_{\mathbb{Z}} \mathbb{Z}((t_1, t_2, t_3)) \mapsto \bar{\gamma} \in K(Q_\alpha) \otimes_{\mathbb{Z}} \mathbb{Z}((t_1^{-1}, t_2^{-1}, t_3^{-1}))$$

is negation on $K(Q_\alpha)$ and

$$t_i \mapsto t_i^{-1}$$

on the variables.

We find the \mathbf{T} -character of the α summand of virtual tangent space $\mathcal{T}_{[I^\bullet]}$ in (4-6) is

$$\frac{1 - P_\alpha \bar{P}_\alpha}{(1 - t_1)(1 - t_2)(1 - t_3)}.$$

Using (4-8), we may express the answer in terms of F_α :

$$(4-9) \quad \text{tr}_{R-\chi(\mathbb{I}_\alpha^*, \mathbb{I}_\alpha^*)} = F_\alpha - \frac{\bar{F}_\alpha}{t_1 t_2 t_3} + F_\alpha \bar{F}_\alpha \frac{(1-t_1)(1-t_2)(1-t_3)}{t_1 t_2 t_3}.$$

On the right side of (4-9), the rational functions should be expanded in ascending powers in the t_i .

4.5 Edge calculation

We now consider the summand of (4-6) corresponding to a pair (α, β) . Our calculations will involve modules over the ring

$$R = \Gamma(U_{\alpha\beta}) = \mathbb{C}[x_2, x_3] \otimes_{\mathbb{C}} \mathbb{C}[x_1, x_1^{-1}].$$

The $\mathbb{C}[x_1, x_1^{-1}]$ factor will result only in the overall factor

$$\delta(t_1) = \sum_{k \in \mathbb{Z}} t_1^k,$$

the formal δ -function at $t_1 = 1$, in the \mathbf{T} -character. Let

$$F_{\alpha\beta} = \sum_{(k_2, k_3) \in \mu_{\alpha\beta}} t_2^{k_2} t_3^{k_3}$$

be the generating function for the edge partition $\mu_{\alpha\beta}$. Arguing as in the vertex case, we find

$$(4-10) \quad -\text{tr}_{R-\chi(I_{\alpha\beta}, I_{\alpha\beta})} = \delta(t_1) \left(-F_{\alpha\beta} - \frac{\bar{F}_{\alpha\beta}}{t_2 t_3} + F_{\alpha\beta} \bar{F}_{\alpha\beta} \frac{(1-t_2)(1-t_3)}{t_2 t_3} \right).$$

Because of the relations

$$\delta(1/t) = \delta(t) = t\delta(t),$$

the character (4-10) is invariant under the change of variables (0-2).

Since there is no \mathbf{T} -fixed moduli away from the vertices, there is no K -theoretic data associated to the edges.

4.6 Redistribution

We now redistribute the terms of the vertex (4-9) and edge (4-10) contributions so both become Laurent *polynomials* in the variables t_i .

The edge character (4-10) can be written as

$$(4-11) \quad \frac{G_{\alpha\beta}(t_2, t_3)}{1-t_1} + t_1^{-1} \frac{G_{\alpha\beta}(t_2, t_3)}{1-t_1^{-1}},$$

where the first term in (4-11) is expanded in ascending powers of t_1 , and the second term is expanded in descending powers. Here

$$G_{\alpha\beta} = -F_{\alpha\beta} - \frac{\bar{F}_{\alpha\beta}}{t_2 t_3} + F_{\alpha\beta} \bar{F}_{\alpha\beta} \frac{(1-t_2)(1-t_3)}{t_2 t_3}.$$

Define a new vertex character V_α by the modification

$$(4-12) \quad V_\alpha = \text{tr}_{R-\chi(\mathbb{I}_\alpha^\bullet, \mathbb{I}_\alpha^\bullet)} + \sum_{i=1}^3 \frac{G_{\alpha\beta_i}(t_i', t_i'')}{1-t_i},$$

where $\beta_1, \beta_2, \beta_3$ are the three neighboring vertices and

$$\{t_i, t_i', t_i''\} = \{t_1, t_2, t_3\}.$$

The character V_α depends *only on the local data* \mathcal{Q}_α . Similarly, we define

$$E_{\alpha\beta} = t_1^{-1} \frac{G_{\alpha\beta}(t_2, t_3)}{1-t_1^{-1}} - \frac{G_{\alpha\beta}(t_2 t_1^{-m_{\alpha\beta}}, t_3 t_1^{-m'_{\alpha\beta}})}{1-t_1^{-1}}.$$

The term $E_{\alpha\beta}$ is canonically associated to the edge. Formulas (4-9) and (4-10) yield the following result.

Theorem 3 *The T-character of $\mathcal{T}_{[\mathbb{I}^\bullet]}$ over \mathbf{Q} is given by*

$$(4-13) \quad \text{tr}_{\mathcal{T}_{[\mathbb{I}^\bullet]}} = \sum_{[X_\alpha] \in \mathcal{V}(X)} V_\alpha + \sum_{[C_{\alpha\beta}] \in \mathcal{E}(X)} E_{\alpha\beta}.$$

Lemma 4 *Both V_α and $E_{\alpha\beta}$ are Laurent polynomials in the t_i .*

Proof The numerator of $E_{\alpha\beta}$ vanishes at $t_1 = 1$ and therefore is divisible by the denominator. The claim for V_α follows from

$$F_\alpha = \sum_{i=1}^3 \frac{F_{\alpha\beta_i}}{1-t_1} + \dots,$$

where β_1, β_2 and β_3 are the neighboring vertices and the dots stand for terms regular at $t_1 = 1$. □

4.7 The equivariant vertex

Let $A_{\mathbf{T}}^*$ denote the \mathbf{T} -equivariant Chow ring of point. To the characters t_i , we associate line bundles L_i on $B\mathbf{T}$ and Chern classes

$$s_i = c_1(L_i) \in A_{\mathbf{T}}^*$$

which generate the \mathbf{T} -equivariant Chow ring

$$A_{\mathbf{T}}^* = \mathbb{Z}[s_1, s_2, s_3].$$

Let (s_1, s_2, s_3) be the maximal ideal. Let

$$(A_{\mathbf{T}}^*)_{\text{loc}} = \mathbb{Q}[s_1, s_2, s_3]_{(s_1, s_2, s_3)}$$

denote the localization.

Following the notation of Section 2, denote by $S_{\vec{\mu}}^M$ the set of components of the moduli space of \mathbf{T} -invariant submodules of $M/\mathcal{O}_{C_{\vec{\mu}}}$. Since the character (4-9) depends only upon the local data at the vertex, $w_{\mathcal{Q}}$ is well-defined for $[\mathcal{Q}] \in S_{\vec{\mu}}^M$. Let

$$w(\mathcal{Q}) = \int_{\mathcal{Q}} e(T_{\mathcal{Q}}) \cdot e(-V_{\mathcal{Q}}) \in (A_{\mathbf{T}}^*)_{\text{loc}}$$

be the integral of the evaluation of the contribution (4-9) on \mathcal{Q} . The integral is well-defined by Section 4.2.

Let $\ell(\mathcal{Q})$ denote the number of boxes¹² in the labelled configuration associated to \mathcal{Q} . Let $|\vec{\mu}|$ denote the renormalized volume¹³ of the partition π corresponding to $\mathfrak{S}_{C_{\vec{\mu}}}$. Finally, the *stable pairs equivariant vertex* is defined by

$$(4-14) \quad W_{\vec{\mu}}^P = \sum_{[\mathcal{Q}] \in S_{\vec{\mu}}^M} w(\mathcal{Q}) q^{\ell(\mathcal{Q}) + |\vec{\mu}|} \in \mathbb{Q}(s_1, s_2, s_3)((q)).$$

4.8 Vertex correspondence

The nonnormalized DT equivariant vertex $W_{\vec{\mu}}^{\text{DT},nn}$ is defined in parallel terms in Section 4 of [10]. Define the *normalized DT equivariant vertex* by

$$W_{\vec{\mu}}^{\text{DT}} = \frac{W_{\vec{\mu}}^{\text{DT},nn}}{W_{\emptyset, \emptyset, \emptyset}^{\text{DT},nn}}.$$

¹²As usual, unlabelled type III boxes count twice.

¹³The renormalized volume $|\pi|$ is defined by $|\pi| = \#\{\pi \cap [0, \dots, N]^3\} - (N + 1) \sum_1^3 |\mu^i|$, $N \gg 0$. The renormalized volume is independent of the cut-off N as long as N is sufficiently large. The number $|\pi|$ so defined may be negative.

The degree 0 series has been calculated in [10]:

$$W_{\emptyset, \emptyset, \emptyset}^{\text{DT}, nn} = M(-q)^{-\frac{(s_1+s_2)(s_1+s_3)(s_2+s_3)}{s_1 s_2 s_3}},$$

where M denotes the MacMahon function

$$M(-q) = \prod_{n \geq 1} \frac{1}{(1 - (-q)^n)^n}.$$

Conjecture 4 *The equivariant vertices agree:*

$$W_{\vec{\mu}}^P = W_{\vec{\mu}}^{\text{DT}}.$$

In fact, there is a straightforward approach to proving [Conjecture 4](#) following the path¹⁴ already taken in DT theory [11; 12; 13]. Each DT step can very likely be followed by the identical step in the theory of stable pairs. If the path is followed to the end, a proof of [Conjecture 4](#) will be obtained. The road is long and, even in DT theory, missing foundation developments for the relative geometry. One could hope for a more direct proof of [Conjecture 4](#) via a wall-crossing analysis in the derived category.

4.9 Example

A basic example to consider is $W_{(1), \emptyset, \emptyset}^P$. The calculation from the definition of the stable pairs vertex is almost trivial.

Lemma 5 $W_{(1), \emptyset, \emptyset}^P = (1 + q)^{(s_2+s_3)/s_1}$.

Proof The outgoing partitions are $\mu^1 = (1)$ and $\mu^2 = \mu^3 = \emptyset$. The component set $S_{(1), \emptyset, \emptyset}^M$ is in bijective correspondence with the positive integers k . The \mathbf{T} -fixed point Q^k corresponds to the length k box configuration in [Figure 6](#).

The q^k coefficient of $W_{(1), \emptyset, \emptyset}$ is obtained by simply expanding the definition of V_{Q^k} . The \mathbf{T} -character F_{Q^k} is

$$F_{Q^k} = \frac{t_1^{-k}}{1 - t_1}$$

and the \mathbf{T} -character associated to the single edge e along the x_1 -axis is

$$F_e = 1.$$

¹⁴The DT path in turn follows the Gromov–Witten trail [2; 8].

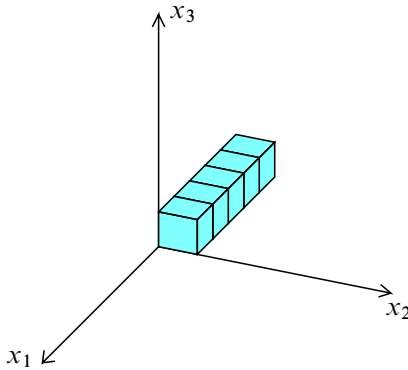


Figure 6: The box configuration corresponding to \mathcal{Q}^5

Unwinding (4-12) yields

$$V_{\mathcal{Q}^k} = \sum_{i=1}^k t_1^{-i} - \sum_{i=0}^{k-1} \frac{t_1^i}{t_2 t_3}.$$

In fact, only the first two terms of (4-9) contribute – the others cancel with the redistribution. Then,

$$\begin{aligned} w(\mathcal{Q}^k) &= \int_{\mathcal{Q}^k} e(-V_{\mathcal{Q}^k}) \\ &= \frac{(-s_2 - s_3)(s_1 - s_2 - s_3) \cdots ((k - 1)s_1 - s_2 - s_3)}{(-s_1)(-2s_1) \cdots (-ks_1)} \\ &= \frac{1}{k!} \left(\frac{s_2 + s_3}{s_1} \right) \left(\frac{s_2 + s_3}{s_1} - 1 \right) \cdots \left(\frac{s_2 + s_3}{s_1} - (k - 1) \right), \end{aligned}$$

which is clearly the q^k coefficient of $(1 + q)^{(s_2 + s_3)/s_1}$. □

The result agrees with the DT calculation of $W_{(1), \emptyset, \emptyset}^{\text{DT}}$ in Section 6 of [13] and verifies Conjecture 4. The intricacy of the DT argument using localization relations, divisibility, and the Hilbert–Chow morphism shows the difference in the theories.

5 Toric Calabi–Yau vertex

5.1 Calabi–Yau torus

Let X be a toric Calabi–Yau 3–fold with canonical form ω . The main example is a local Calabi–Yau toric surface, the total space of the canonical bundle

$$K_S \rightarrow S$$

of toric surface S . As in Section 3.2, let $\mathbf{T}_0 \subset T$ be the torus preserving ω . The stable pairs invariants take a much simpler form when computed \mathbf{T}_0 -equivariantly.

The direct approach to calculating the \mathbf{T}_0 -equivariant vertex is simply by restriction,

$$W_{\mu, \text{CY}}^P = W_{\mu}^P \Big|_{s_1+s_2+s_3=0}.$$

The main drawback is the summation over $[\mathcal{Q}] \in S_{\mu}^M$ in the definition (4-14) of W_{μ}^P has to be done *before* restriction as the individual summands may have poles at $s_1 + s_2 + s_3 = 0$. A better approach is to analyse the \mathbf{T}_0 -localization formula geometrically.

5.2 \mathbf{T}_0 -localization

Let $S_{\mu,0}^M$ be the set of connected components of the moduli space of \mathbf{T}_0 -invariant submodules of $M/O_{C_{\mu}}$. By Conjecture 2, such components \mathcal{Q}_0 are nonsingular.¹⁵ The quotient torus

$$\mathbb{C}^* \cong \mathbf{T}/\mathbf{T}_0$$

acts on each \mathcal{Q}_0 . The \mathbb{C}^* -fixed loci of \mathcal{Q}_0 are elements of $[\mathcal{Q}] \in S_{\mu}^M$. Conversely, every element of $[\mathcal{Q}] \in S_{\mu}^M$ arises as a \mathbb{C}^* -fixed locus of a unique $[\mathcal{Q}_0] \in S_{\mu,0}^M$.

The scheme \mathcal{Q}_0 carries a \mathbf{T}_0 -fixed obstruction theory,

$$(5-1) \quad (E_{\mathcal{Q}_0}^{-1})^{\mathbf{T}_0} \rightarrow (E_{\mathcal{Q}_0}^0)^{\mathbf{T}_0}.$$

By the nonsingularity of \mathcal{Q}_0 , the virtual class $[\mathcal{Q}_0]$ is the Euler class of an obstruction bundle. By the self-duality of the obstruction theory (5-1),

$$[\mathcal{Q}_0]^{\text{vir}} = e(\Omega_{\mathcal{Q}_0}) \cap [\mathcal{Q}_0].$$

Then, by the virtual localization formula for the \mathbb{C}^* -action and self-duality again,

$$\begin{aligned} W_{\mu}^P \Big|_{s_1+s_2+s_3=0} &= \sum_{[\mathcal{Q}_0] \in S_{\mu,0}^M} \int_{\mathcal{Q}_0} e(\Omega_{\mathcal{Q}_0}) (-1)^{\text{rk}(E_{\mathcal{Q}_0}^0)^{m_0}} \\ &= \sum_{[\mathcal{Q}_0] \in S_{\mu,0}^M} \chi_{\text{top}}(\mathcal{Q}_0) (-1)^{\dim_{\mathbb{C}} \mathcal{Q}_0} (-1)^{\text{rk}(E_{\mathcal{Q}_0}^0)^{m_0}}, \end{aligned}$$

where $\text{rk}(E_{\mathcal{Q}_0}^0)^{m_0}$ is the rank of the summand with nontrivial \mathbf{T}_0 -weight.

¹⁵We assume the validity of Conjecture 2 throughout the Section.

5.3 Theorem/Conjecture 2

Using the Euler characteristic identity

$$\chi_{\text{top}}(\mathcal{Q}_0) = \sum_{[Q] \in \mathcal{S}_{\vec{\mu}}^M, Q \subset \mathcal{Q}_0} \chi_{\text{top}}(Q),$$

we can rewrite the Calabi–Yau vertex as

$$(5-2) \quad W_{\vec{\mu}}^P |_{s_1+s_2+s_3=0} = \sum_{[Q_0] \in \mathcal{S}_{\vec{\mu},0}^M} \sum_{\substack{[Q] \in \mathcal{S}_{\vec{\mu}}^M \\ Q \subset Q_0}} \chi_{\text{top}}(Q) (-1)^{\dim_{\mathbb{C}} Q_0} (-1)^{\text{rk}(E_{Q_0}^0)^{m_0}}.$$

Fix an element $[Q] \in \mathcal{Q} \subset \mathcal{Q}_0$. The calculation of

$$(-1)^{\dim_{\mathbb{C}} Q_0} (-1)^{\text{rk}(E_Q^0)^{m_0}}$$

precisely follows Sections 4.10–4.11 of [9]. Let

$$V_Q(t_1, t_2, t_3) = V_{\mathcal{Q}}|_{[Q]},$$

where the restriction to the point $[Q] \in \mathcal{Q}$ kills all the K -theory information. The strategy of [9] is to split the vertex contribution as

$$V_Q(t_1, t_2, t_3) = V_Q^+ + V_Q^-$$

where

$$V_Q^+ = -V_Q^-.$$

We use precisely the same formulas to define the splitting here; see Section 4.11 of [9]. Then,

$$V_Q^+(1, 1, 1) = \text{Con}(V_Q^+|_{t_1 t_2 t_3=1}) + \text{rank}(E_Q^0)^{m_0} \pmod{2}.$$

The constant term is treated exactly as in Section 4.11 of [9]. The conclusion, using Conjecture 3, is

$$\text{Con}(V_Q^+|_{t_1 t_2 t_3=1}) = \dim_{\mathbb{C}} \mathcal{Q}_0.$$

Finally, from the definition of the splitting,

$$V_Q^+(1, 1, 1) = \ell(Q) + |\vec{\mu}|,$$

where the second summand is the renormalized volume. We conclude

$$(5-3) \quad W_{\vec{\mu}}^P |_{s_1+s_2+s_3=0} = \sum_{[Q] \in \mathcal{S}_{\vec{\mu}}^M} \chi_{\text{top}}(Q) (-q)^{\ell(Q) + |\vec{\mu}|}.$$

Our calculation of the \mathbf{T}_0 -vertex (5-3) is complete in the 1- and 2-leg cases and conjectural in the 3-leg case (since Conjecture 2 and Conjecture 3 are unproven there). In particular, the result is established for local Calabi–Yau toric surfaces. Though we

have not found examples violating [Conjecture 2](#), perhaps [\(5-3\)](#) holds without requiring the nonsingularity of the components \mathcal{Q}_0 .

The statement of [Theorem/Conjecture 2](#) follows formally from the vertex [Equation \(5-3\)](#) and the edge calculus of Section 4.10 of [9]. The edge calculus is identical for stable pairs and ideal sheaves. □

5.4 Example

The example of the Calabi–Yau vertex with outgoing partitions

$$\mu^1 = (1), \quad \mu^2 = (1), \quad \mu^3 = (1)$$

was worked out at the end of [14].

We consider here the vertex $W_{(1),(2),(1),\text{CY}}^P$ with outgoing partitions

$$\mu^1 = (1), \quad \mu^2 = (2), \quad \mu^3 = (1).$$

The scheme-theoretic support curve $C_{(1),(2),(1)}$ is pictured in [Figure 7](#) with renormalized volume -3 . The module $M/\mathcal{O}_{C_{\bar{\mu}}}$ is pictured in [Figure 8](#). There is a single type II box

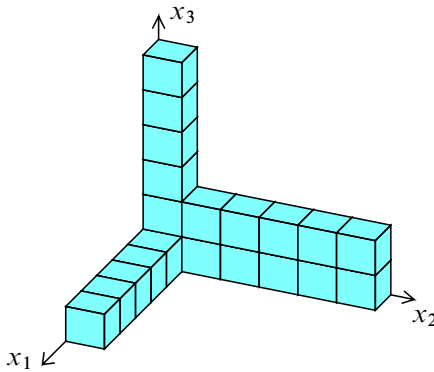


Figure 7: The **T**-character of the support curve $C_{(1),(2),(1)}$

at x_3 and a single type III box at 1, over the origin.

We now count box configurations up to length 3. There is a unique empty box configuration corresponding to the 0 submodule. There are 2 distinct configurations of length 1:

- (i) a box at 1 labelled by $\mathbb{C} \cdot \mathbf{1}_0 \in \mathbb{P}^1$,
- (ii) a box supported at x_3 .

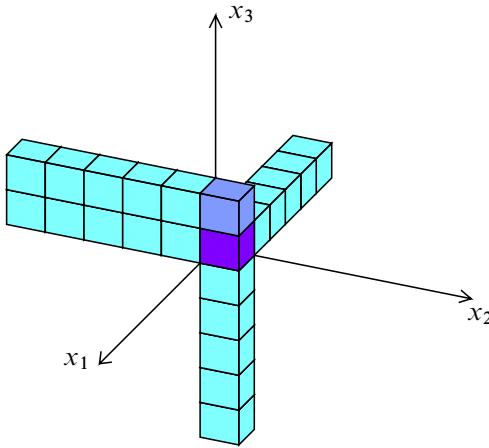


Figure 8: The \mathbf{T} -character of the module $M/\mathcal{O}_{C(1),(2),(1)}$

The box (i) is annihilated by multiplication by all the x_i in the module structure. There are 3 types of configurations of length 2:

- (i) boxes at $x_2^{-1}x_3$ and x_3 ,
- (ii) a box at 1 labelled with $\mathbb{C} \cdot \mathbf{1}_0$ and a box at x_1^{-1} ,
- (iii) a box at 1 with any label in \mathbb{P}^1 and a box at x_3 .

The moduli space in (iii) is \mathbb{P}^1 . The configurations of length 3 are classified as follows:

- (i) an unlabelled (length 2) box at 1 and a box at x_3 ,
- (ii) a box at 1 with any label in \mathbb{P}^1 and boxes at $x_2^{-1}x_3$ and x_3 ,
- (iii) a box at x_1^{-1} , a box at 1 labelled by $\mathbb{C} \cdot \mathbf{1}_0$ and a box at x_3 ,
- (iv) a box at x_3^{-1} , a box at 1 labelled by $\mathbb{C} \cdot \mathbf{3}_0$ and a box at x_3 ,
- (v) a box at 1 labelled by $\mathbb{C} \cdot \mathbf{1}_0$ and boxes at x_1^{-2} and x_1^{-1} ,
- (vi) boxes at $x_2^{-2}x_3$, $x_2^{-1}x_3$ and x_3 .

The moduli space in (ii) is \mathbb{P}^1 .

Equation (5-3) for the Calabi–Yau vertex and the above box counting (including the Euler characteristics) together yield¹⁶

$$(-q)^3 W_{(1),(2),(1),\text{CY}}^P = 1 + 2(-q) + 4(-q)^2 + 7(-q)^3 + \dots$$

¹⁶ A closed formula for the Calabi–Yau vertex here can easily be found.

Standard box counting yields the nonnormalized DT vertex

$$(-q)^3 W_{(1),(2),(1),CY}^{DT,nn} = 1 + 3(-q) + 9(-q)^2 + 23(-q)^3 + \dots$$

(see [9]). Using the MacMahon series

$$M(-q) = 1 + (-q) + 3(-q)^2 + 6(-q)^3 + \dots,$$

we can check [Conjecture 4](#) up to order 3:

$$1 + 2(-q) + 4(-q)^2 + 7(-q)^3 + \dots = \frac{1 + 3(-q) + 9(-q)^2 + 23(-q)^3 + \dots}{1 + (-q) + 3(-q)^2 + 6(-q)^3 + \dots}.$$

6 Descendents

6.1 Chern characters

Let X be a nonsingular toric 3-fold. Consider the \mathbf{T} -equivariant descendent invariants

$$(6-1) \quad (\tau_{i_1}(\gamma_1) \cdots \tau_{i_k}(\gamma_k))_{n,\beta}^X = \int_{P_n(X,\beta)} \prod_{k=1}^m \tau_{i_k}(\gamma_k) ([P_n(X,\beta)]^{\text{vir}}) \in A_{\mathbf{T}}^*,$$

where $\gamma_i \in A_{\mathbf{T}}^*(X, \mathbb{Z})$. The operators $\tau_i(\gamma)$ are defined by

$$\pi_{P*}(\pi_X^*(\gamma) \cdot \text{ch}_{2+i}(\mathbb{F}) \cap (\pi_P^*(\cdot))): A_{*}^{\mathbf{T}}(P_n(X, \beta)) \rightarrow A_{*}^{\mathbf{T}}(P_n(X, \beta))$$

where we follow the notation of [Section 0.5](#).

In order to calculate (6-1) by \mathbf{T} -localization, we must determine the action of the operators $\tau_i(\gamma)$ on the \mathbf{T} -equivariant cohomology of the \mathbf{T} -fixed loci \mathbf{Q} .

6.2 Local to global

Let \mathbf{Q} be a component of the \mathbf{T} -fixed locus of $P_n(X, \beta)$ determined by the local data

$$\{\mathcal{Q}_\alpha\}_{[X_\alpha] \in \mathcal{V}(X)}, \quad \{\mu_{\alpha\beta}\}_{[C_{\alpha\beta}] \in \mathcal{E}(X)}.$$

On the chart $U_\alpha \subset X$, the Chern character

$$\text{ch}_l(\mathbb{F}_\alpha)|_{\mathbf{Q}_\alpha \times [X_\alpha]} \in K(\mathcal{Q}_\alpha) \otimes_{\mathbb{Z}} \mathbb{Z}[t_1^\pm, t_2^\pm, t_3^\pm]$$

is determined completely by the character F_α ,

$$(6-2) \quad \begin{aligned} \text{ch}_l(\mathbb{F}_\alpha)|_{\mathbf{Q}_\alpha \times [X_\alpha]} &= \text{ch}_l(1 + P_\alpha) \\ &= \text{ch}_l(F_\alpha \cdot (1 - t_1)(1 - t_2)(1 - t_3)), \end{aligned}$$

where we follow the notation of Section 4.4. In particular, the second equality is (4-8). For notational convenience, we denote (6-2) and the pullback to \mathbf{Q} simply by $\text{ch}_l(\mathbb{F}_\alpha)$.

The contribution of \mathbf{Q} to the descendent (6-1) is calculated by summing over all distributions

$$\sigma: j \mapsto [X_{\sigma(j)}] \in V(X)$$

of the insertions $\tau_{i_j}(\gamma_j)$ to the vertices and integrating

$$\sum_{\sigma} \int_{\mathbf{Q}} e(T_{\mathbf{Q}}) \cdot e\left(-\sum V_{\alpha} - \sum E_{\alpha\beta}\right) \cdot \prod_{j=1}^k \text{ch}_{2+i_j}(\mathbb{F}_{\sigma(j)}) \frac{\gamma_j|_{[X_{\sigma(j)}]}}{e(T_{\sigma(j)})}$$

where $T_{\sigma(j)}$ is the \mathbf{T} -equivariant tangent space to $X_{\sigma(j)}$.

6.3 Descendent vertex

The descendent vertex $W_{\vec{\mu}}^P(\tau_{i_1} \cdots \tau_{i_k})$ is obtained from the descendent weight

$$(6-3) \quad w_{\tau_{i_1} \cdots \tau_{i_k}}(\mathcal{Q}) = \int_{\mathcal{Q}} e(T_{\mathcal{Q}}) \cdot e(-V_{\mathcal{Q}}) \cdot \prod_{j=1}^k \text{ch}_{2+i_j}(F_{\mathcal{Q}} \cdot (1-t_1)(1-t_2)(1-t_3))$$

taking values in $(A_{\mathbf{T}}^*)_{\text{loc}}$. By definition,

$$(6-4) \quad W_{\vec{\mu}}^P(\tau_{i_1} \cdots \tau_{i_k}) = \sum_{[\mathcal{Q}] \in S_{\vec{\mu}}^M} w_{\tau_{i_1} \cdots \tau_{i_k}}(\mathcal{Q}) q^{\ell(\mathcal{Q}) + |\vec{\mu}|} \in \mathbb{Q}(s_1, s_2, s_3)((q)).$$

6.4 Example

As an example, we calculate the descendent vertex

$$W_{(1), \emptyset, \emptyset}^P(\tau_i)$$

from the definitions.

Following the notation of Lemma 5, we have

$$F_{\mathcal{Q}^k} \cdot (1-t_1)(1-t_2)(1-t_3) = t_1^{-k}(1-t_2)(1-t_3).$$

Then, by Lemma 5 and (6-4),

$$\begin{aligned} \sum_{i \geq -2} W_{(1), \emptyset, \emptyset}^P(\tau_i) z^{2+i} &= \sum_{k \geq 0} \sum_{i \geq -2} w_{\tau_i}(\mathcal{Q}^k) z^{2+i} \\ &= (1 - e^{zs_2})(1 - e^{zs_3}) \exp\left(-zs_1 q \frac{d}{dq}\right) [(1+q)^{(s_2+s_3)/s_1}]. \end{aligned}$$

The τ_{-2} and τ_{-1} terms are included formally. The formulas for

$$W_{(1),\emptyset,\emptyset}^P(\tau_{i_1} \cdots \tau_{i_k})$$

are no more difficult.

Let $[L] \in H_2(\mathbb{P}^3, \mathbb{Z})$ be the class of a line. To calculate the \mathbf{T} -equivariant descendent series of \mathbb{P}^3 in degree 1, we can use the determination of $W_{(1),\emptyset,\emptyset}^P(\tau_5)$:

$$(6-5) \quad Z_{P,[L]}^{\mathbb{P}^3} \left(\prod_{j=1}^k \tau_i(1) \right) \in \mathbb{Q}[s_1, s_2, s_3]((q)).$$

Expansion of the \mathbf{T} -contribution formula of Section 6.3 then immediately yields the qualitative result that the descendent series (6-5) are *rational* in q :

$$Z_{P,[L]}^{\mathbb{P}^3} \left(\prod_{j=1}^k \tau_i(1) \right) \in \mathbb{Q}[s_1, s_2, s_3] \otimes_{\mathbb{Q}} \mathbb{Q}(q).$$

In the nonequivariant limit, the rationality provides evidence for Conjecture 1. However, we speculate, in the toric case, that rationality holds for all such \mathbf{T} -equivariant descendent series.

The descendent invariants for the theory of stable pairs appear much better behaved than the descendents in DT theory. Because of the wandering points, the DT descendent series corresponding to (6-5) – even in the nonequivariant case – contain significant irrationalities. The Gromov–Witten descendent series also contain irrationalities. The framework of the GW/DT correspondence for descendents was outlined in [10]. The correspondence with the descendent theory of stable pairs remains to be fully explored.

References

- [1] **K Behrend, B Fantechi**, *The intrinsic normal cone*, Invent. Math. 128 (1997) 45–88 [MR1437495](#)
- [2] **J Bryan, R Pandharipande**, *The local Gromov–Witten theory of curves*, J. Amer. Math. Soc. 21 (2008) 101–136 [MR2350052](#) With an appendix by Bryan, C Faber, A Okounkov and Pandharipande
- [3] **S K Donaldson, R P Thomas**, *Gauge theory in higher dimensions*, from: “The geometric universe (Oxford, 1996)”, (S A Huggett, L J Mason, K P Tod, S T Tsou, N M J Woodhouse, editors), Oxford Univ. Press (1998) 31–47 [MR1634503](#)
- [4] **T Graber, R Pandharipande**, *Localization of virtual classes*, Invent. Math. 135 (1999) 487–518 [MR1666787](#)

- [5] **D Huybrechts, M Lehn**, *The geometry of moduli spaces of sheaves*, Aspects of Math. E31, Friedr. Vieweg & Sohn, Braunschweig (1997) [MR1450870](#)
- [6] **J Le Potier**, *Systèmes cohérents et structures de niveau*, Astérisque (1993) 143 [MR1244404](#)
- [7] **J Li, G Tian**, *Virtual moduli cycles and Gromov–Witten invariants of algebraic varieties*, J. Amer. Math. Soc. 11 (1998) 119–174 [MR1467172](#)
- [8] **D Maulik**, *Gromov–Witten theory of \mathcal{A}_n -resolutions*, Geom. Topol. 13 (2009) 1729–1773
- [9] **D Maulik, N Nekrasov, A Okounkov, R Pandharipande**, *Gromov–Witten theory and Donaldson–Thomas theory. I*, Compos. Math. 142 (2006) 1263–1285 [MR2264664](#)
- [10] **D Maulik, N Nekrasov, A Okounkov, R Pandharipande**, *Gromov–Witten theory and Donaldson–Thomas theory. II*, Compos. Math. 142 (2006) 1286–1304 [MR2264665](#)
- [11] **D Maulik, A Oblomkov**, *Donaldson–Thomas theory of $A_n \times \mathbb{P}^1$* [arXiv:0802.2739](#)
- [12] **D Maulik, A Oblomkov, A Okounkov, R Pandharipande**, *The Gromov–Witten/Donaldson–Thomas correspondence for toric threefolds*, in preparation
- [13] **A Okounkov, R Pandharipande**, *The local Donaldson–Thomas theory for curves* [arXiv:math.AG/0512573](#)
- [14] **R Pandharipande, R P Thomas**, *Curve counting via stable pairs in the derived category* [arXiv:0707.2348](#)
- [15] **R P Thomas**, *A holomorphic Casson invariant for Calabi–Yau 3–folds, and bundles on K3 fibrations*, J. Differential Geom. 54 (2000) 367–438 [MR1818182](#)

Department of Mathematics, Princeton University
Princeton, NJ 08544, USA

Department of Mathematics, Imperial College
London SW7 2AZ, UK

rahulp@math.princeton.edu, rpwt@imperial.ac.uk

Proposed: Jim Bryan

Seconded: Lothar Goettsche, Frances Kirwan

Received: 3 June 2008

Accepted: 25 February 2009