

The Beetle Reference Manual

— chip version 1.2 —

D. BAUMEISTER*, S. LÖCHNER†, M. SCHMELLING

— Max-Planck-Institute for Nuclear Physics, Heidelberg, Germany —

document version: 1.3

Abstract

This paper details the electrical specifications, operating conditions and port definitions of the readout chip *Beetle 1.2*. The chip is developed for the LHCb experiment and fulfils the requirements of the silicon vertex detector (VELO, VETO), the silicon tracker and the RICH detector in case of multi-anode photomultiplier readout.

It integrates 128 channels with low-noise charge-sensitive preamplifiers and shapers. The pulse shape can be chosen such that it complies with LHCb specifications: a peaking time of 25 ns with a remainder of the peak voltage after 25 ns of less than 30%. A comparator per channel with configurable polarity provides a binary signal. Four adjacent comparator channels are being ORed and brought off chip via LVDS ports. Either the shaper or comparator output is sampled with the LHC-bunch-crossing frequency of 40 MHz into an analog pipeline. This ring buffer has a programmable latency of max. 160 sampling intervals and an integrated derandomising buffer of 16 stages. For analog readout data is multiplexed with up to 40 MHz onto 1 or 4 ports. A binary readout mode operates at up to 80 MHz output rate on two ports. Current drivers bring the serialised data off chip. The chip can accept trigger rates of up to 1.1 MHz to perform a dead-timeless readout within 900 ns per trigger. For testability and calibration purposes, a charge injector with adjustable pulse height is implemented. The bias settings and various other parameters can be controlled via a standard I²C-interface.

Appropriate design measures have been taken to ensure the radiation hardness against total ionising dose effects in excess of 10 Mrad. A robustness against Single Event Upset is achieved by redundant logic.

*Email: baumeis@kip.uni-heidelberg.de

†Email: loechner@kip.uni-heidelberg.de

Participating Institutes and Members

Max-Planck-Institute for Nuclear Physics, Heidelberg, Germany

M. AGARI, C. BAUER, D. BAUMEISTER, W. HOFMANN, K.T. KNÖPFLE,
S. LÖCHNER, M. SCHMELLING, E. SEXAUER¹

NIKHEF / Free University Amsterdam, The Netherlands

N. VAN BAKEL, M. VAN BEUZEKOM, J. VAN DEN BRAND, E. JANS,
S. KLOUS, H. VERKOOIJEN

Physics Institute, University of Heidelberg, Heidelberg, Germany

M. FEUERSTACK-RAIBLE², U. TRUNK

University of Oxford, Oxford, United Kingdom

N. HARNEW, N. SMALE

¹ now at Dialog Semiconductors, Kirchheim-Nabern, Germany

² now at Fujitsu Mikroelektronik GmbH, Dreieich-Buchsschlag, Germany

Contents

1	Chip Architecture	5
2	Electrical Specifications	7
2.1	DC Characteristics	7
2.2	Signal Levels	7
2.3	Output Characteristics	7
3	Operating the <i>Beetle</i> Chip	9
3.1	Front-end Pulse Shape	9
3.2	Test Channel	10
3.3	Reset Modes	10
3.4	Readout Modes	11
3.5	Internal Test Pulses	12
3.6	Comparator Operation	13
3.6.1	Comparator Configuration	13
3.6.2	Threshold Adjustment	13
3.6.3	Comparator Channel Mapping	13
3.7	Timing Specifications	13
3.8	Diagnostic Signals	14
3.9	Daisy Chain	14
4	Slow Control	16
4.1	I ² C-Interface	16
4.2	Bias and Configuration Registers	16
4.3	Single Event Upset Robustness	18
5	How to get the <i>Beetle</i> chip working	21
6	Known Problems and Limitations	23
A	Pad Description	24
A.1	Front Pads	25
A.2	Bottom Pads	28
A.3	Backside Pads	28
A.4	Top Pads	30
B	Heidelberg Test Boards	31

Document Edition History

This manual describes the chip version 1.2. For versions 1.0 and 1.1 please refer to the corresponding version of this manual (LHCb-note LHCb-2001-046).

Version	Date	Author	Description
1.0	20.04.2002	DB, SL	document created
1.1	20.02.2003	DB, SL	draft version published
1.2	31.01.2004	SL	updated draft version published
1.3	17.02.2004	SL	final version, document maintenance closed

Chip Version History

Version	Submission Date	Changes relating to previous version
Beetle1.0	April 2000	
Beetle1.1	March 2001	test channel extended till pipeline readout amplifier (pipeamp) output modified pipeline layout analog delay element for I ² C-SDA line added modified pipeamp modified bias network of pipeamp modified multiplexer modified tristate buffer in control circuit
Beetle1.2	April 2002	implementation of a new front-end (set 2c of <i>BeetleFE1.1</i>) modified analog input pad geometry (elongated pad opening) introduction of SEU robustness scheme restriction of readout time to 900 ns introduction of 8 additional status bits in data header introduction of a power-up reset introduction of comparator mask bit per channel introduction of test pulse selection bit per channel additional LVDS mode of current output buffer on-chip trigger synchronisation increase of pipeline depth by 1 hard-wired I ² C-chip address (defined via bond pads) introduction of SCHMITT-triggers in the I ² C-pads reduction of DAC resolution from 10 to 8 bits increase of max. deliverable bias current to 2 mA additional power pads at the back side

1 Chip Architecture

The *Beetle* can be operated as analog or alternatively as binary pipelined readout chip. It implements the basic RD20 front-end electronics architecture [1, 2, 3]. Fig. 1 shows a schematic block diagram of the chip.

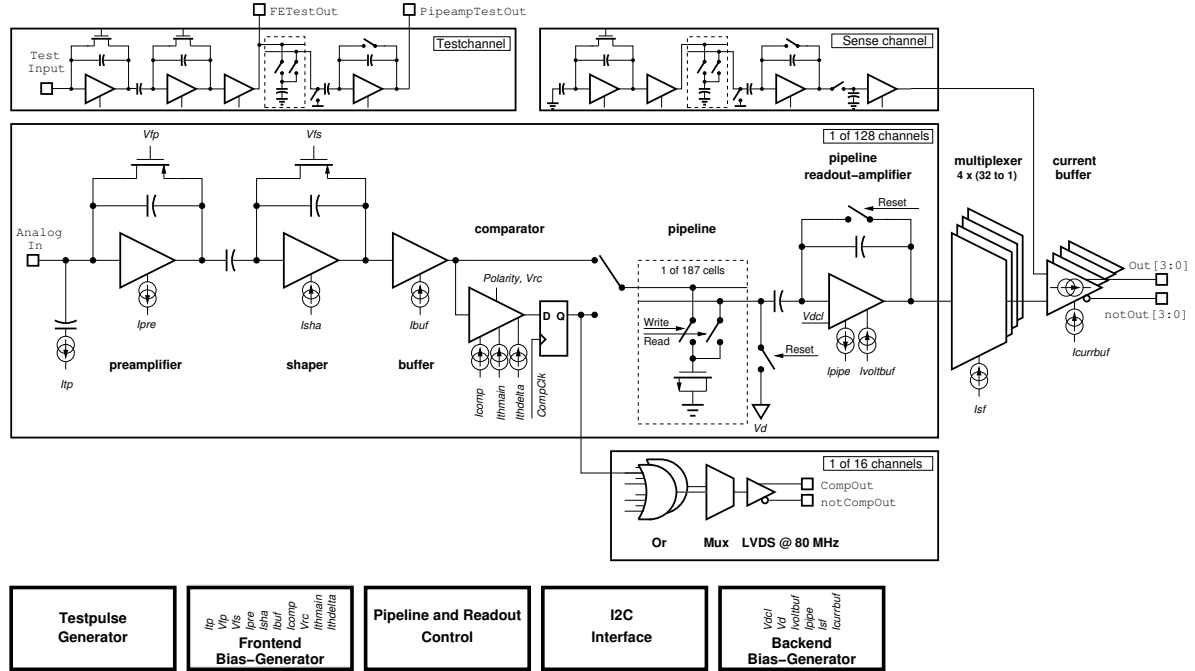


Figure 1: Schematic block diagram of the *Beetle* readout chip³.

The chip integrates 128 channels, each consisting of a low-noise charge-sensitive preamplifier, an active CR-RC pulse shaper and a buffer. They form the analog front-end. The equivalent noise charge (ENC) of the front-end has been measured as $ENC = 497 e^- + 48.3 e^- / \text{pF} \cdot C_{in}$. The shape of the front-end pulse can be chosen according to the specific requirements of the application. The minimum risetime (10 – 90%) is well below 25 ns, the remainder of the peak voltage after 25 ns can be adjusted to less than 30% for load capacitances ≤ 35 pF. A comparator discriminates the front-end’s output pulse. The threshold is adjustable per channel and input signals of both polarities can be processed. Four adjacent comparator channels are grouped by a logic OR, latched, multiplexed by a factor of 2 and routed off the chip via low voltage differential signalling (LVDS) ports at 80 MHz. Either the shaper- or the comparator output is sampled with the LHC bunch-crossing frequency at 40 MHz into an analog pipeline which has a programmable latency of max. 160 sampling intervals and an integrated multi-event buffer of 16 stages. The signal stored in the pipeline is transferred to the multiplexer via a resettable charge-sensitive amplifier (pipeamp). Within a readout time of 900 ns current drivers bring the serialised data off chip. The output of a dummy channel is subtracted from the analog data to compensate common mode effects. All amplifier stages are biased by forced currents. On-chip digital-to-analog converters (DACs) with 8 bit resolution generate the bias currents and voltages. For test and calibration purposes a charge injector with adjustable pulse height is implemented on each channel. The bias settings and various other parameters like the trigger latency can be controlled via a standard I²C-interface [8]. All digital control and data signals, except those for the I²C-ports, are routed via LVDS ports.

The choice of a deep-submicron process technology (0.25 μm standard CMOS) with a thin gate oxide ($t_{ox} \approx 62 \text{ \AA}$) and the consistent use of enclosed NMOS transistors reduces a shift in the transistor

³For a derivation of the pipeline depth refer to [4].

threshold voltage and eliminates "end-around" leakage current paths. This establishes a total ionising dose (TID) radiation hardness in excess of 45 Mrad. Single Event Latch-up (SEL) is suppressed due to the implementation of guard-rings. The continuous use of triple-redundant logic ensures a robustness against Single Event Upset (SEU).

2 Electrical Specifications

2.1 DC Characteristics

Table 1: DC characteristics of *Beetle1.2*

Supply	Min. [V]	Nom. [V]	Max. [V]	Description
Vdda	2.2	2.5	2.7	Positive analog supply
Gnda	0	0	0	Negative analog supply
Vddd	2.2	2.5	2.7	Positive digital supply
Gnnd	0	0	0	Negative digital supply
VddPre	2.2	2.5	2.7	Positive preamplifier supply
GndPre	0	0	0	Negative preamplifier supply (detector ground)
VddComp	2.2	2.5	2.7	Positive comparator output supply
GndComp	0	0	0	Negative comparator output supply

2.2 Signal Levels

The *Beetle* chip has 3 different kind of I/O pads. The signal levels for these pads are given in table 2.

Table 2: Specification of signal levels.

I ² C							
	logic 0			logic 1			Unit
	Min.	Max.	Typ.	Min.	Max.	Typ.	
input	-0.7	1.1	0.0	1.5	3.3	2.5	V
output	—	—	0.0	—	—	2.5	V
CMOS							
	logic 0			logic 1			Unit
	Min.	Max.	Typ.	Min.	Max.	Typ.	
input	-0.7	1.1	0.0	1.4	3.3	2.5	V
output	—	—	0.0	—	—	2.5	V
LVDS (100Ω termination)							
	offset voltage			differential voltage			Unit
	Min.	Max.	Typ.	Min.	Max.	Typ.	
input	0.0	2.5	1.2	0.1	2.5	0.2	V
output	—	—	1.02	—	—	1.38	V

2.3 Output Characteristics

The *Beetle* chip provides an *analog* as well as a *binary* output mode. A differential current is transmitted in each case, where in binary mode, the output signal is compatible with the LVDS standard [6].

Fig. 2 gives an example of a receiver circuit for analog signals using the CLC400 transimpedance amplifier [5] and binary signals using the DS90C032 [7] LVDS receiver.

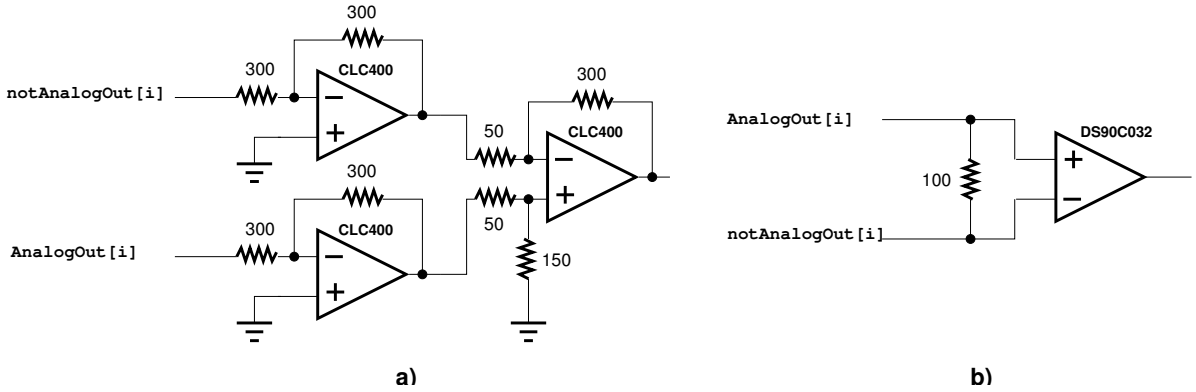


Figure 2: Example of a receiver circuit for the analog (a) and binary (b) output signals. In case of analog signals the CLC400 transimpedance amplifier is used, in case of binary signals the DS90C032 LVDS receiver.

3 Operating the *Beetle* Chip

3.1 Front-end Pulse Shape

The front-end output signal is a semi-Gaussian pulse which can be characterised by three parameters:

- peaking time t_p (0 – 100%),
- peaking voltage V_p and
- remainder R , which is the ratio between the signal voltage 25 ns after the peak (V_{25+}) and V_p .

The peaking time is sometimes hard to measure since the starting point of the pulse is not well defined, so the rise time t_r (10 – 90%) is usually quoted. Fig. 3 explains the various parameters.

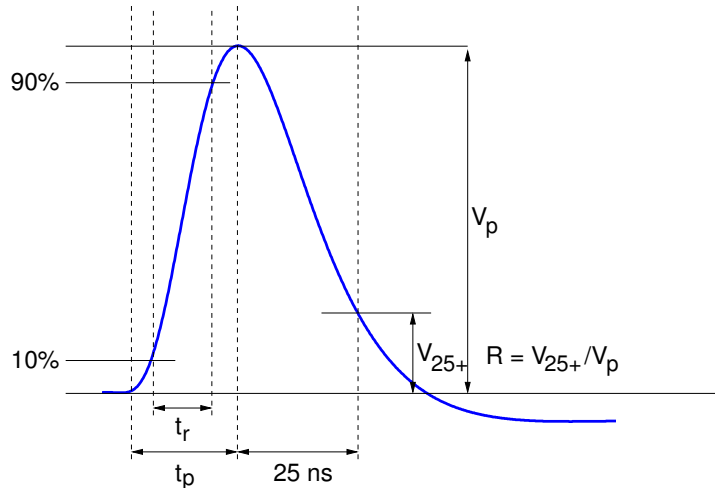


Figure 3: Semi-Gaussian pulse with the corresponding parameters characterising the shape.

Information about the front-end's pulse shape can be obtained on a *Beetle* readout chip from either the test channel output (`TestOutput`, pad no. 245) or from a *pulse shape scan*. Here, the front-end's output is read out via the pipelined path while the preamplifier input signal is shifted w. r. t. the sampling clock.

The pulse shape can be varied by 5 bias parameters:

Ipre sets the preamplifier bias current. Higher currents decrease the rise time and the remainder and increase the pulse undershoot.

Isha defines the shaper bias current. Increasing currents shift the DC-offset to lower values and result in a slightly decreasing rise time, remainder and undershoot.

Ibuf sets the buffer bias current. It does not affect the shape of the pulse, but the DC-offset.

Vfp determines the preamplifier feedback resistance. It defines the time constant for discharging the preamplifier's integration capacitor and therefore the tolerable input charge rate.

Vfs controls the shaper feedback resistance. Increasing Vfs values enlarge the peaking time, the peaking voltage as well as the remainder.

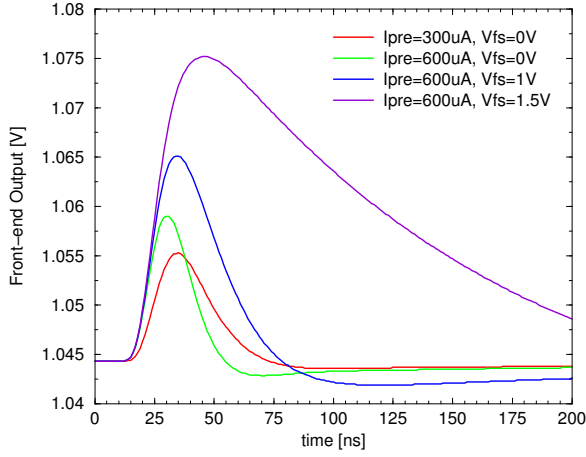


Figure 4: Variation of the front-end pulse shape for different bias settings ($I_{sha} = I_{buf} = 80 \mu\text{A}$, $V_{fp} = 0\text{V}$).

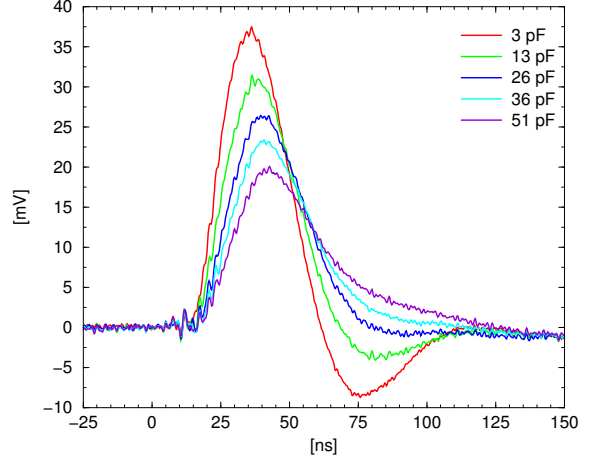


Figure 5: *Beetle1.2* front-end output signal for load capacitances varying between 3 and 51 pF.

Fig. 4 depicts the variation of the pulse shape for four example bias parameter settings. For the nominal settings listed in table 8, i.e. $I_{pre} = 600 \mu\text{A}$, $I_{sha} = I_{buf} = 80 \mu\text{A}$, $V_{fp} = V_{fs} = 0\text{V}$, the front-end sensitivity $A_Q = V_{FEout}/Q_{in} = 38\text{mV}/22,000\text{e}^- = 38\text{mV}/\text{MIP}$.

For fixed bias parameters the shape of the front-end output pulse varies with the external load capacitance (cf. fig. 5).

3.2 Test Channel

The *Beetle* chip integrates beside the 128 channels a *test channel* with direct access to the front-end output (**TestOutput**, pad no. 245) as well as the pipeamp output (**PipeampTestOut**, pad no. 221). An input charge can be injected either via the **TestInput** port (pad no. 2) or via the internal test pulse generator (+1 step, cf. 3.5). Additionally, 5 internal voltage nodes of the test channel's front-end are accessible on pads: **Prebias** (pad no. 250), **Prebias1** (pad no. 249), **Shabias** (pad no. 248), **Shabias1** (pad no. 247) and **Bufbias** (pad no. 246). Fig. 6 illustrates the various bias nodes.

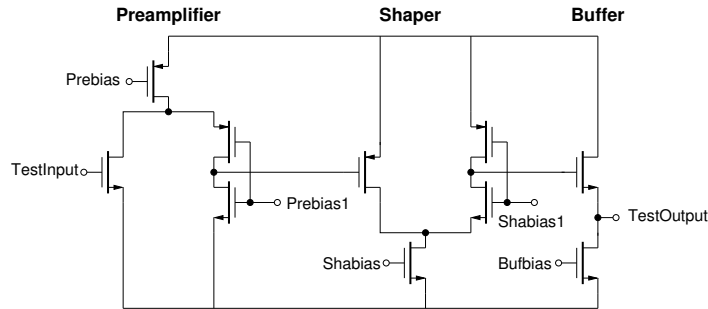


Figure 6: Test channel bias nodes.

3.3 Reset Modes

Two different types of reset exist on *Beetle1.2*.

- *Power-up reset* is activated immediately when the power of the chip is switched on. The reset's time-constant, i.e. the time between "power-on" and the reset becoming inactive, can be adjusted via an external capacitance connected to the `PowerupReset` pad. For typical capacitance values like $C_{ext} = 10 \text{ nF}$ (100 nF), the time constant $\tau = 28 \text{ ms}$ (280 ms). All *Beetle* registers are reset to 0 and the I²C-interface is initialised.
- *External reset* follows the `Reset` port (see section A.3). It resets the pipeline write and trigger pointer to column number 0 and initialises the control logic's state machines. The rising edge of `Reset` re-initialises the I²C-interface. The minimum reset width is 25 ns, i.e. one sampling clock cycle.

3.4 Readout Modes

The readout of the *Beetle* chip is synchronous to the readout clock *Rclk*, which is generated on-chip from the sampling clock *Sclk* (`Clk` port). For operation at LHC, sampling and readout clock have the same frequency. For other applications, the readout clock frequency can be reduced to a fraction of *Sclk* (cf. 4.2).

Beetle1.2 provides three different readout modes⁴:

Analog readout on 4 ports Each port carries 4 header bits plus 32 channels. Data is transmitted synchronous to the rising edge of the readout clock and takes 900 ns.

Binary readout on 2 ports Each port carries 8 header bits plus 64 channels. Data is transmitted synchronous to both edges of *Rclk*. The readout takes 900 ns.

Analog readout on 1 port This is for applications with less demanding readout speed requirements. The readout lasts 3.6 μs .

Fig. 7 shows the assignment of the header bits and analog input channels to the output channels in the different modes. The meaning of the various header bits is given in table 3.

Table 3: Header bits in *Beetle1.2*'s data burst.

Bit	Description	
I0	LeadingBit	always active (= 1)
I1	ParPCN	(even) parity of pipeline column number (PCN)
I2	ActiveEDC	1 indicates active error detection and correction (EDC) logic
I3	ParCompChTh	(even) parity of register <i>CompChTh</i> (reg. no. 20, cf. table 8)
I4	ParCompMask	(even) parity of register <i>CompMask</i> (reg. no. 21, cf. table 8)
I5	ParTpSelect	(even) parity of register <i>TpSelect</i> (reg. no. 22, cf. table 8)
S0	LSB of register <i>SEUcounter</i> (reg. no. 23, cf. table 8)	
S1	bit 1 of register <i>SEUcounter</i> (reg. no. 23, cf. table 8)	
P0	LSB of pipeline column number	
P1	bit 1 of pipeline column number	
P2	bit 2 of pipeline column number	
P3	bit 3 of pipeline column number	
P4	bit 4 of pipeline column number	
P5	bit 5 of pipeline column number	
P6	bit 6 of pipeline column number	
P7	MSB of pipeline column number	

⁴The specification of the readout time assumes $Rclk = Sclk = 40 \text{ MHz}$.

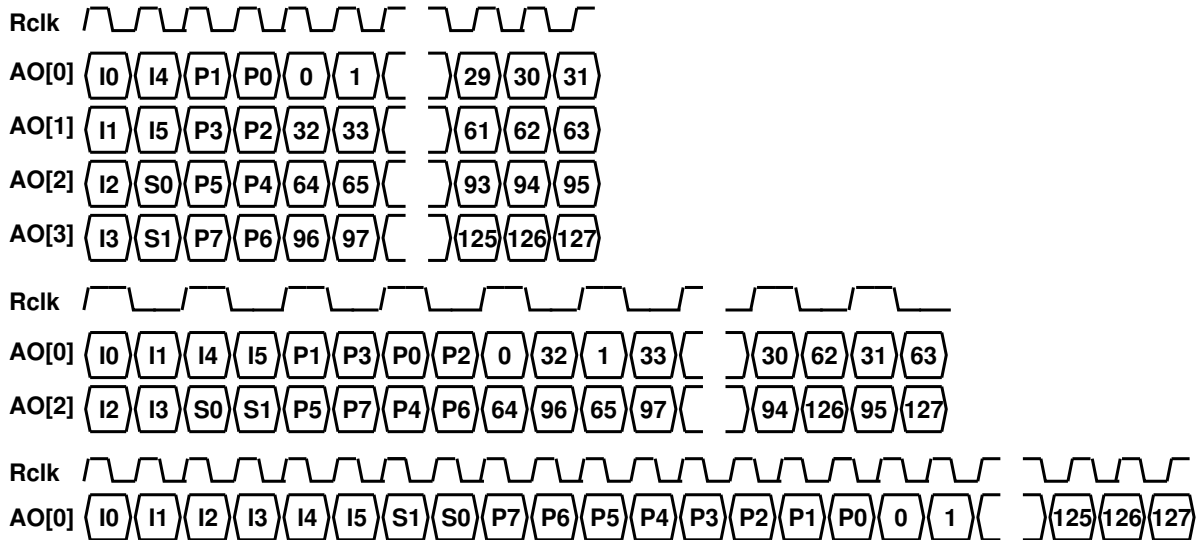


Figure 7: *Beetle1.2* readout data formats. From top to bottom: Analog readout mode: 32 analog channels are multiplexed onto 4 ports with up to 40 MHz. Binary readout mode: 64 binary channels are multiplexed onto 2 ports with up to 80 MHz. Readout mode for less demanding readout speed requirements: 128 analog channels are multiplexed onto 1 port with up to 40 MHz.

3.5 Internal Test Pulses

Test pulses can be injected into the preamplifier with an on-chip generator. A step like pattern corresponding to +2, +1, -1 and -2 times a reference signal amplitude is coupled modulo 4 to the 128 channels (table 4). The amplitude of the reference pulse can be adjusted with the *Itp* bias register (cf. table 8). A test pulse is triggered via the *Testpulse* port (pad no. 176, 177) and can be enabled per channel by the *TpSelect* register (cf. 4.2). Fig. 8 shows the correlation between the *Testpulse* port and the internal test pulse trigger.

Table 4: Mapping of test pulse amplitudes to analog channels.

Channel no.	0	1	2	3	...	124	125	126	127
Test pulse step height	+2	+1	-1	-2	...	+2	+1	-1	-2

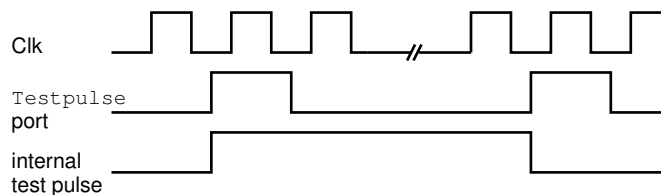


Figure 8: Test pulse triggering.

3.6 Comparator Operation

The comparator circuit consists of an integrator, a threshold generator and a discriminator. The integrator extracts the DC-offset of the shaped pulse with a variable time constant between 1 and $20\ \mu\text{s}$, which can be adjusted via the *Vrc* register (cf. table 8). The DC-offset varies from channel to channel and is added to the threshold voltage. The threshold level is adjustable per channel with a resolution of 3 bits. The comparator output is latched with the comparator clock (*CompClk*, pad no. 143, 144) before feeding it to the pipeline resp. the comparator LVDS output drivers (cf. fig. 1). For operating the comparator it is mandatory to assert the *CompClk*. It is different from the sampling clock *Sclk* to enable the freedom of a phase between *Sclk* and *CompClk*.

3.6.1 Comparator Configuration

The comparator is configured via the register *CompControl* (cf. table 8 and table 10). *PipelineMode* defines the mode of operation of the comparator. *PipelineMode* = 0 selects the analog mode, in which the output of the front-end amplifier is transferred to the pipeline. In binary mode (*PipelineMode* = 1) the comparator output is fed into the pipeline. *CompDisable* = 1 turns off the comparator's bias current. *CompPolarity* selects between an inverting (0) or non-inverting (1) comparator operation. *CompMode* switches between two different kinds of output signal. With *CompMode* = 0 the output is active as long as the comparator input signal is above the threshold level. With *CompMode* = 1 the output is only one *CompClk* cycle active, independent of the time, that the input signal is above the threshold.

3.6.2 Threshold Adjustment

The threshold level is generated from two programmable currents. *Ithmain* (register address 8) determines the global threshold, which is common to all channels. *Ithdelta* (register address 7) defines an additional delta threshold.

The comparator threshold register (*CompChTh*, address 20) selects the number of delta thresholds which are being added to the global threshold. This register is operated as a shift register. The bits *CompChTh*[2:0] are being assigned to channel *k*, the bits *CompChTh*[6:4] to channel *k+1*. To define the delta threshold of all channels, the *CompChTh* register has to be programmed 64 times consecutively. A shift mechanism provides the bits to the channels in the order (Ch[0], Ch[1]), (Ch[2], Ch[3]), ..., (Ch[126], Ch[127]).

3.6.3 Comparator Channel Mapping

The comparator outputs are LVDS drivers. Each driver sends data of two combined comparator groups, the first group of ORed channels during the high phase of *CompClock*, the second during the low phase. The mapping of the channels to the comparator outputs is shown in table 5.

3.7 Timing Specifications

Reset, Trigger, Test pulse The timing relation between *Reset* and *Trigger* in order to trigger on pipeline column number *n* can be depicted from fig. 9, whereas $n = k$ modulo 187. *k* must be equal or greater than 1, *Latency* refers to the content of the Latency register (no. 16).

Figure 10 depicts the timing relation between *Testpulse* and *Trigger*. *Latency* refers again to the content of the Latency register.

Readout Timing The *Beetle* chip has two different possible readout timings called *non-consecutive* and *consecutive* readout. A non-consecutive readout starts after a trigger occurs during a non-readout. If the *Beetle* receives a second trigger before a last readout is completed, the next readout is send as a consecutive readout.

Table 5: Mapping of analog input channels to comparator output channels on *Beetle1.2*.

Output port	High phase of CompClock	Low phase of CompClock
CompOut[15]	Ch[127]∨Ch[126]∨Ch[125]∨Ch[124]	Ch[123]∨Ch[122]∨Ch[121]∨Ch[120]
CompOut[14]	Ch[119]∨Ch[118]∨Ch[117]∨Ch[116]	Ch[115]∨Ch[114]∨Ch[113]∨Ch[112]
CompOut[13]	Ch[111]∨Ch[110]∨Ch[109]∨Ch[108]	Ch[107]∨Ch[106]∨Ch[105]∨Ch[104]
CompOut[12]	Ch[103]∨Ch[102]∨Ch[101]∨Ch[100]	Ch[99]∨Ch[98]∨Ch[97]∨Ch[96]
CompOut[11]	Ch[95]∨Ch[94]∨Ch[93]∨Ch[92]	Ch[91]∨Ch[90]∨Ch[89]∨Ch[88]
CompOut[10]	Ch[87]∨Ch[86]∨Ch[85]∨Ch[84]	Ch[83]∨Ch[82]∨Ch[81]∨Ch[80]
CompOut[9]	Ch[79]∨Ch[78]∨Ch[77]∨Ch[76]	Ch[75]∨Ch[74]∨Ch[73]∨Ch[72]
CompOut[8]	Ch[71]∨Ch[70]∨Ch[69]∨Ch[68]	Ch[67]∨Ch[66]∨Ch[65]∨Ch[64]
CompOut[7]	Ch[63]∨Ch[62]∨Ch[61]∨Ch[60]	Ch[59]∨Ch[58]∨Ch[57]∨Ch[56]
CompOut[6]	Ch[55]∨Ch[54]∨Ch[53]∨Ch[52]	Ch[51]∨Ch[50]∨Ch[49]∨Ch[48]
CompOut[5]	Ch[47]∨Ch[46]∨Ch[45]∨Ch[44]	Ch[43]∨Ch[42]∨Ch[41]∨Ch[40]
CompOut[4]	Ch[39]∨Ch[38]∨Ch[37]∨Ch[36]	Ch[35]∨Ch[34]∨Ch[33]∨Ch[32]
CompOut[3]	Ch[31]∨Ch[30]∨Ch[29]∨Ch[28]	Ch[27]∨Ch[26]∨Ch[25]∨Ch[24]
CompOut[2]	Ch[23]∨Ch[22]∨Ch[21]∨Ch[20]	Ch[19]∨Ch[18]∨Ch[17]∨Ch[16]
CompOut[1]	Ch[15]∨Ch[14]∨Ch[13]∨Ch[12]	Ch[11]∨Ch[10]∨Ch[9]∨Ch[8]
CompOut[0]	Ch[7]∨Ch[6]∨Ch[5]∨Ch[4]	Ch[3]∨Ch[2]∨Ch[1]∨Ch[0]

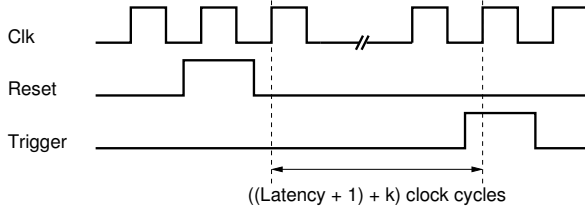


Figure 9: Timing relation between *Reset* and *Trigger* in order to trigger on column no. k . *Latency* refers to the content of the latency register.

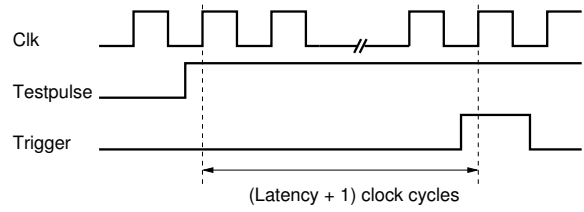


Figure 10: Timing relation between *Testpulse* and *Trigger*. *Latency* refers to the content of the latency register.

Figure 11 describe the readout timing of *Trigger*, *DataValid* and *AnalogOut* of the analog readout mode on 4 ports. The upper plot shows a single readout burst (non-consecutive readout), the lower the case of a consecutive readout.

3.8 Diagnostic Signals

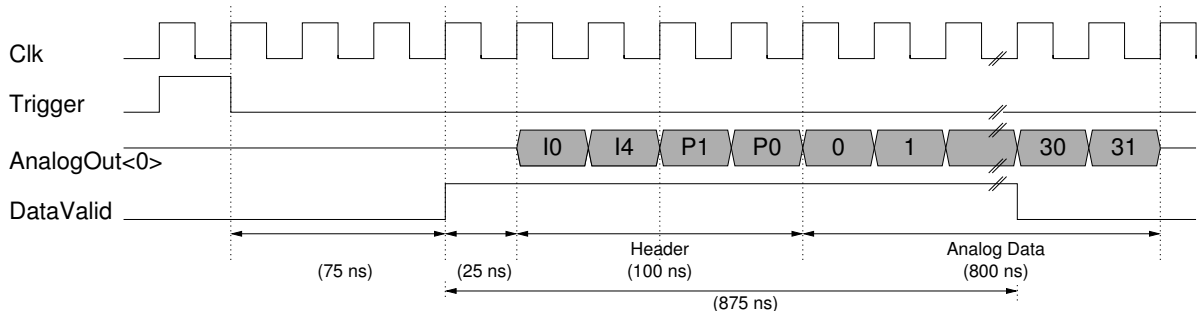
The *Beetle* chip provides several digital signals for monitoring or diagnostics purposes which are explained briefly in table 6.

WriteMon and *TrigMon* allow to check the physical latency of the chip. They are pulses with a width of one sampling clock cycle and a period of 187 cycles. Their relative distance is $(Latency + 1)$ clock cycles.

3.9 Daisy Chain

The daisy chain allows several chips to share one, two or four output lines. It consists of two signal paths, a *token* and a *return token* path. They are built up by connecting the *RoTokenOut* (*RoReTokenIn*) pad of one chip with the *RoTokenIn* (*RoReTokenOut*) of the neighbouring chip (see fig. 12). The chip position in the chain has to be configured in the *ROCtrl* register (bits 3 and 4). A chip can be the first (*DaisyFirst* = 1), an intermediate or the last (*DaisyLast* = 1) in the daisy chain.

Single Readout



Consecutive Readout

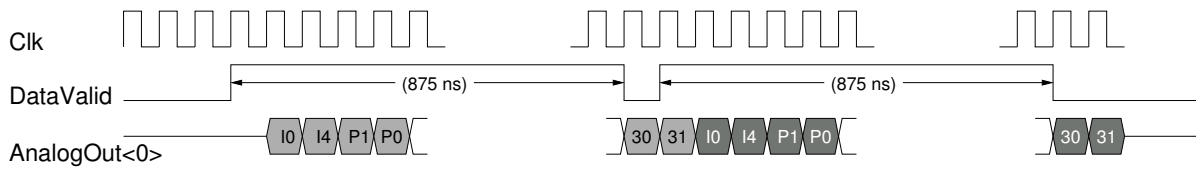


Figure 11: Readout timing schemes of the analog readout mode on 4 ports. Only channel 0 is depicted. The upper plot shows a single readout burst, the lower the case of consecutive readout.

Table 6: Digital signals for monitoring or diagnostics purposes. All signals are active-high.

signal name	pad no.	description
DataValid	180, 181	indicates presence of valid data on the AnalogOut ports; see fig. 11 for timing specifications
FifoFull	163	indicates full derandomising trigger buffer; with 15 occupied FIFO entries, the next trigger activates FifoFull
TrigMon	170	indicates if pipeline trigger pointer passes column number 0
WriteMon	171	indicates if pipeline write pointer passes column number 0

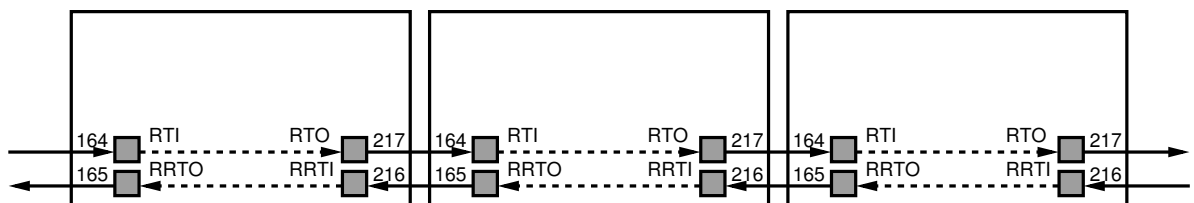


Figure 12: Daisy chain composition. The figures indicate the pad reference numbers (RTI = RoTokenIn, RRTO = RoReTokenOut, RTO = RoTokenOut, RRTI = RoReTokenIn).

4 Slow Control

4.1 I²C-Interface

The chip's slow control interface is a standard mode I²C-slave device featuring a transfer rate of 100 kbit/s. The chip address, necessary to access a single device via the I²C-bus, is 7 bits wide and assigned via the address pads `I2CAAddr[6:0]` (cf. section A.3). The *Beetle* chip responds to addresses in the range 8 – 119. The addresses 0000XXX and 1111XXX are reserved in the I²C-standard for other purposes [8].

The internal registers are being accessed via a *pointer register*. This contains the address of the register to be written or read first. The pointer is internally incremented by 1 after each transferred data frame. In this way registers with adjacent addresses can be accessed consecutively. The pointer register itself remains unchanged, i.e. a new transfer will start at the same pointer position. Fig. 13 explains the transfer sequences in write and read mode. Data is always transferred with the most significant bit (MSB) first. In write mode the chip address is transmitted after initialising the transfer, followed by the pointer byte and the data. After the transmission of one data frame, the pointer addresses the successive register because of its auto-incrementing function. The registers with addresses 20 – 23 have an exceptional status. The registers 20 – 22 are implemented as 128-bit shift-registers (cf. 4.2), register 23 is the output of the SEU counter. A write access to this register resets it to 0. Hence, the auto-incrementing of the address pointer is only performed for addresses ≤ 19 . To access the addresses 20 – 23 the corresponding register has to be addressed directly.

The transfer of the pointer byte is obligatory in write mode. In read mode there are two versions:

- **Preset pointer**
After initialising the transfer and sending the chip address data is immediately read out. The pointer has been set in a previous transfer.
- **Pointer set followed by immediate read-out**
After initialising the transfer and sending the chip address the pointer byte is transferred. The I²C-bus is re-initialised, the chip address is sent and data is read out.

Commercially available I²C-devices usually operate at 3.3 V or 5 V. To interconnect these devices with a *Beetle* I²C-interface a bidirectional level shifter is necessary. A simple solution to this problem is the use of a discrete MOSFET for each bus line [9]. Fig. 14 illustrates the level shifter circuit. An example for a single MOSFET device is type BSN20 from Philips Semiconductors.

4.2 Bias and Configuration Registers

Beetle1.2 contains 24 8-bit registers with the addresses 0 – 23. Table 8 lists all registers with physical range, resolution and nominal setting. Registers 0 – 15 are bias registers for the analog stages.

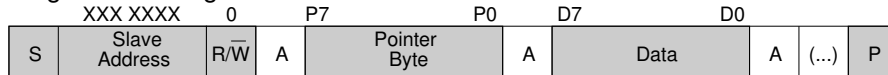
Pipeamp reset potential: V_d Register 11 determines the potential to which the pipeamp is reset. This voltage should correspond to the DC output level of the front-end and is therefore depending on *Isha* and *Ibuf* (cf. 3.1).

Pipeamp reference potential: V_{dcl} Register 12 adjusts the potential of the non-inverting input of the pipeamp.

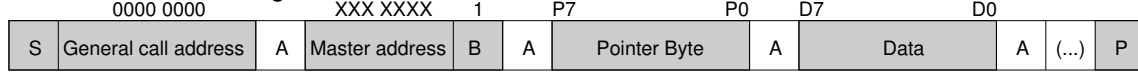
Latency Register 16 defines the latency which has to be ≥ 10 and ≤ 160 for reliable chip operation.
 \leadsto A change of the latency register will only have an effect after applying a reset.

Write mode

Single addressing

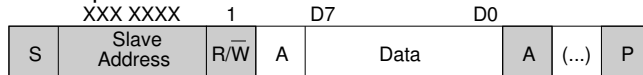


General call addressing



Read mode

Preset pointer



Pointer set followed by immediate readout

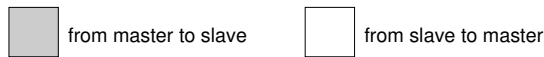
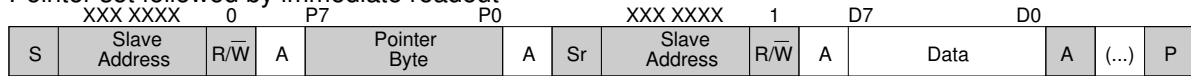


Figure 13: I²C-bus write and read sequences for accessing registers on the *Beetle*.

Rclk divider: *RclkDiv* Register 18 defines the ratio between the readout clock *Rclk* and the sampling clock *Sclk*. The ratio ν_{Rclk}/ν_{Sclk} is $1/(RclkDiv+1)$ and allows *Rclk* frequencies from 40 MHz down to ≈ 156 kHz. *RclkDiv* = 0 means, that *Sclk* and *Rclk* have the same frequency.

↪ A change of the *RclkDiv* register requires a succeeding reset for proper chip operation.

Mode of operation: *ROCtrl*, *CompCtrl* The registers 17 and 19 select the chip's mode of operation (readout mode, daisy chain configuration) and define the comparator configuration. Tables 9 and 10 show the detailed bit assignment of the registers *ROControl* and *CompControl*. Note, that the three *ModeSelect* bits are exclusive, i.e. only one bit is allowed to be set.

↪ A change of the *ROCtrl* register requires a succeeding reset for proper chip operation.

Shift registers Registers 20 – 22 (*CompChTh*, *CompMask*, *TpSelect*) are operated as shift-registers: *CompMask* and *TpSelect* form a 128-bit register each, segmented in 16 8-bit registers, *CompChTh* establishes a 512 (= 128 × 4) bit register divided into 64 8-bit registers, whereas only 6 of the 8 bits per frame are assigned (cf. section 3.6.2). A consecutive write-access to the corresponding register address shifts the data in 8-bit frames starting from the largest channel number (see table 7). A read access to such a register returns the bits corresponding to channels 7 – 0 in case of *CompMask* and *TpSelect* and 1 – 0 in case of *CompChTh*. This allows a verification of the shifted data.

↪ Note, that write access to the shift registers is prohibited during readout operation.

SEU counter Register 23 is the output of the SEU counter (cf. 4.3). A write access to this register resets the content to 0. Note, that the two LSB of the register *SEUcounts* are transmitted in the header (*S*[1:0]) of the analog output stream (cf. 3.4).

⁵see section 6

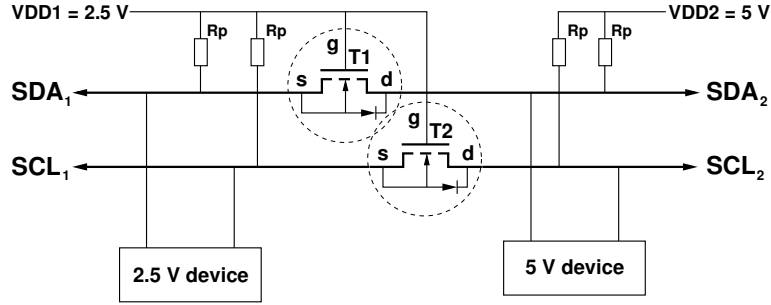


Figure 14: Bidirectional level shifter circuit to connect two different voltage level sections of an I²C-bus system. An example for a single MOSFET device is type BSN20 from Philips Semiconductors.

Table 7: Channel sequence for write and read access to the shift registers *CompMask*, *TpSelect* and *CompChTh*.

	Write access	Read access
<i>CompMask</i>	Ch[127:120], Ch[119:112], ...	Ch[7:0]
<i>TpSelect</i>	Ch[127:120], Ch[119:112], ...	Ch[7:0]
<i>CompChTh</i>	Ch[127:126], Ch[125:124], ...	Ch[1:0]

4.3 Single Event Upset Robustness

Beetle1.2 continuously uses triple-redundant logic in order to assure the robustness against Single Event Upset (SEU), i.e. the change of the state of a memory device induced by a single particle. A logic bit is represented by the majority of the outputs of three flip-flops. The flip-flops on *Beetle1.2* can be categorised into two groups:

Clocked flip-flops They are used in the control logic which operates with the sampling clock frequency of 40 MHz in case of the *Fast Control* and the I²C-clock of 100 kHz in case of the *Slow Control*.

Static flip-flops They form the bias and configuration registers. These flip-flops use triple-redundant majority voting in combination with a self-triggered correction mechanism. A single SEU per bit will be corrected.

An 8-bit counter is integrated in *Beetle1.2* to indicate the number of single event upsets in the bias and configuration registers. All registers, including the shift-registers *CompChTh*, *CompMask* and *TpSelect*, can increment the SEU counter. The bits used in the logic control circuits (clocked flip-flops) are *not* taken into account. The counter output is readable via the I²C-bus (cf. 4.2). The two least significant bits are additionally transferred in the header of the analog output stream (fig. 7, table 3). This allows a fast monitoring of SEUs during readout. An I²C-write access to the counter register resets it.

Table 8: Bias and configuration registers of *Beetle1.2*.

Reg. no.	Reg. Name	Class	Range	Res.	Nominal Setting		Description
					Value	Reg. content	
0	<i>Itp</i>	I	0 – 2 mA	8 μ A	0 μ A	0x00	test pulse bias current
1	<i>Ipre</i>	I	0 – 2 mA	8 μ A	600 μ A	0x4C	preamplifier bias current
2	<i>Isha</i>	I	0 – 2 mA	8 μ A	80 μ A	0x0A	shaper bias current
3	<i>Ibuf</i>	I	0 – 2 mA	8 μ A	80 μ A	0x0A	front-end buffer bias current
4	<i>Vfp</i>	V	0 – 2.5 V	9.8 mV	0 V	0x00	preamplifier feedback voltage
5	<i>Vfs</i>	V	0 – 2.5 V	9.8 mV	0 V	0x00	shaper feedback voltage
6	<i>Icomp</i>	I	0 – 2 mA	8 μ A	40 μ A	0x05	comparator bias current
7	<i>Ithdelta</i>	I	0 – 2 mA	8 μ A	—	—	current defining incremental comparator threshold
8	<i>Ithmain</i>	I	0 – 2 mA	8 μ A	—	—	current defining common comparator threshold
9	<i>Vrc</i>	V	0 – 1.25 V	4.9 mV	0 V	0x00	comparator RC time constant
10	<i>Ipipe</i>	I	0 – 2 mA	8 μ A	100 μ A	0x0D	pipeamp bias current
11	<i>Vd</i>	V	0 – 2.5 V	9.8 mV	1 V	0x66	pipeamp reset potential
12	<i>Vdcl</i>	V	0 – 2.5 V	9.8 mV	1.1 V	0x70	pipeamp reference voltage
13	<i>Ivltbuf</i>	I	0 – 2 mA	8 μ A	200 μ A	0x1A	pipeamp buffer bias current
14	<i>Isf</i>	I	0 – 2 mA	8 μ A	200 μ A	0x1A	multiplexer buffer bias current
15	<i>Icurrbuf</i>	I	0 – 2 mA	8 μ A	200 μ A	0x1A	output buffer bias current
16	<i>Latency</i>	Dig.	10 – 160	—	160	0xA0	trigger latency
17	<i>ROCtrl</i>	Dig.	—	—	cf. table 9		readout control
18	<i>RclkDiv</i>	Dig.	0 – 255 ⁵	—	0	0x00	ratio between Rclk and Sclk
19	<i>CompCtrl</i>	Dig.	—	—	cf. table 10		comparator control
20	<i>CompChTh</i>	Dig.	0 – 7	—	—	—	comparator channel threshold shift register implementation
21	<i>CompMask</i>	Dig.	—	—	0	0x00	comparator mask shift register implementation
22	<i>TpSelect</i>	Dig.	—	—	0	0x00	testpulse selection shift register implementation
23	<i>SEUcounts</i>	Dig.	0 – 255	—	—	—	sum of single event upsets

Table 9: Bit assignment of the configuration register *ROCtrl*. All switches are active-high. 1 enables the switch, 0 disables it.

Bit	Function	Description
0	BinRO2	binary readout on 2 ports
1	AnaRO1	analog readout on 1 port
2	AnaRO4	analog readout on 4 ports
3	DaisyFirst	first chip in daisy chain
4	DaisyLast	last chip in daisy chain
5	LVDSmode	LVDS mode of current driver
6	<i>not used</i>	—
7	ProbeEnable	enables probe pads ProbeVrefFE (pad no. 138), ProbeVrefBE (pad no. 219)

Table 10: Bit assignment of the configuration register *CompCtrl*.

Bit	Function	Description
0	EnableCompLVDS	0: disable comparator LVDS output ports 1: enable comparator LVDS output ports
1	CompPolarity	0: inverting 1: non-inverting
2	PipelineMode	1: binary readout 0: analog readout
3	CompDisable	0: enable comparator 1: disable comparator
4	CompMode	0: track mode 1: pulse mode
5	<i>not used</i>	—
6	<i>not used</i>	—
7	<i>not used</i>	—

5 How to get the *Beetle* chip working

This section describes important steps to get the *Beetle* chip working. Some may be trivial, but ignoring them can cause lengthy trouble in running the chip.

Power and Blocking

- Power the chip:
 - for analog operation:
connect to Vdd: pad no.: 1, 3 – 5, 140, 166 – 167, 206 – 210, 243
connect to Gnd: pad no.: 134 – 137, 139, 168 – 169, 201 – 205, 244
 - for binary operation connect *additionally* to the above listed pads:
to Vdd: pad no.: 141, 161, 224, 242
to Gnd: pad no.: 142, 162, 223, 241
- Block the following pads with $\mathcal{O}(100\text{ nF})$ to ground: `Icurrbuf` (pad no. 211), `Isf` (pad no. 212), `Ipipe` (pad no. 213), `Vdc1buf` (pad no. 214), `Vdbuf` (pad no. 215).

Minimum number of pads to be bonded

The following list specifies the minimum number of *input ports* to be bonded for proper chip operation in addition to power and blocking pads:

- `Trigger` (pad no. 172, 173),
- `Clock` (pad no. 174, 175),
- `Reset` (pad no. 178, 179),
- `SDA`, `SCL` (pad no. 189, 190).

Beside the analog output ports `AnalogOut<i>` (pad no. 193 – 200) or the comparator output ports `CompOut<i>` (pad no. 145 – 160, 225 – 240), it is recommended to bond the *digital output pads* listed in table 6.

LVDS ports

Define the levels of all LVDS input ports, e.g. `Clock`, `Trigger`, `Reset`, `Testpulse`, i.e. do not leave any input pads floating.

Power-up reset

Connect the `PowerupReset` port (pad no. 191) with $\mathcal{O}(100\text{ nF})$ to ground.

I²C-bus

- Define the chip ID via the pads `I2CAddr[6:0]` for individual chip access, or use general call mode. The chip responds to addresses in the range 8 – 119.
- Assure, that different chips sharing one I²C-bus line have unique addresses.
- Assure, that the `Reset` port has a defined logic level and does not change while programming the chip via I²C-bus.
- For the bidirectional transfer on the SDA-line it is important, that the chip operates not below 2.5 V. Assure, that the positive supply voltage *at the place of the chip* is 2.5 V or more.

Fast Control

- Define the chip as *DaisyFirst* as well as *DaisyLast* (*ROCtrl* register is XXX11XXX).
- A change of the content of the *Latency* register (register ID 16) is taken over by the logic circuitry only after applying an external reset via the **Reset** port. To check the *physical* latency, determine the time distance of the **WriteMon** (pad no. 171) and **TrigMon** (pad no. 170) signals, which is *Latency + 1*.
↪ *Latency* has to be in the range 10 – 160 for proper chip operation.
- Connect the port **RoReTokenIn** of the last chip in a daisy chain (*DaisyLast*) to ground for proper chip operation (cf. section 6).

Comparators

For comparator operation it is mandatory to assert the comparator clock *CompClk* (pad no. 143: **notCompClock**, pad no. 144: **CompClock**). It is different from the sampling clock *Sclk* to enable the freedom of a phase between *Sclk* and *CompClk*.

6 Known Problems and Limitations

Problem Behaviour at consecutive readout

For consecutive readout, i.e. asserting a trigger during the readout of the previous event, the *Beetle1.2* chip shows two effects: a carry-over of roughly 30% of the signal amplitude of the previous readout frame accompanied by a change in the signal polarity, and a strong variation of the baseline for higher channel numbers. Fig. 15 depicts the readout behaviour for consecutive (left) and non-consecutive (right) readout. Two data frames are acquired each, whereas only the first one comprises real input signals while no input data has been provided to the second trigger.

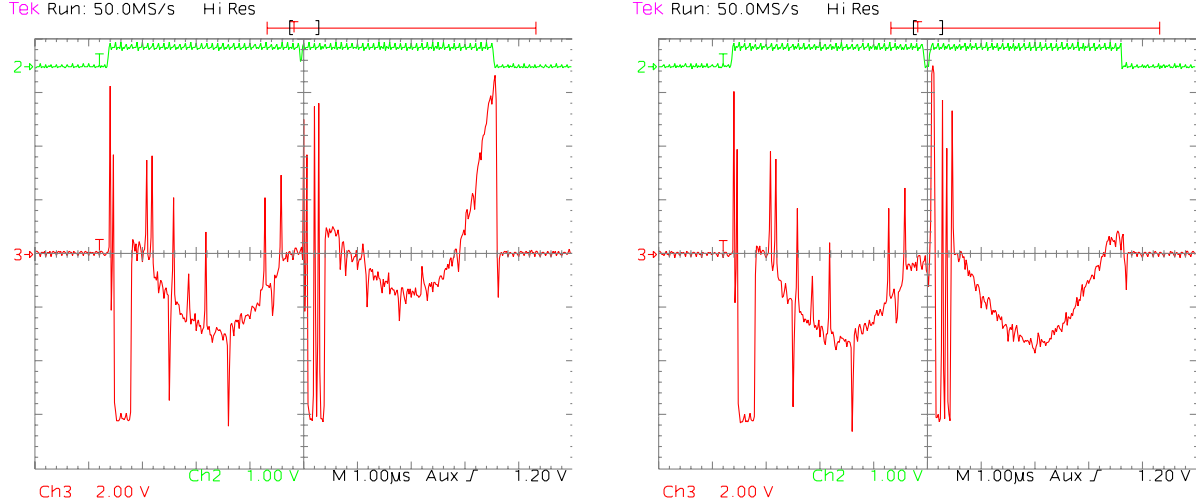


Figure 15: Readout behaviour for consecutive (left) and non-consecutive (right) triggers with internal test pulses applied.

Problem Channel dependence of front-end pulse remainder R and peaking time t_p

Limitation The last chip in a daisy chain (*DaisyLast*) is sensitive to external signals on the return token port: pad `RoReTokenIn` needs to be grounded for proper chip operation for the last chip in the chain.

Limitation Restricted $Rclk$ frequency

The division factor between $Rclk$ and $Sclk$ ($CR = \nu_{Sclk}/\nu_{Rclk}$) is restricted to ≤ 2 .

Limitation Variation of the readout baseline

The U-shaped baseline variation (cf. fig. 15, right) shows a strong bias setting dependence (mainly of $Isha$, $Ipipe$, Vd , $Vdcl$). For $Isha = 80 \mu A$, $Ipipe = 100 \mu A$, $Vd = 1 V$ and $Vdcl = 1.1 V$, the amplitude of the variation is approximately $22,000 e^-$.

Beside a fix of the above mentioned items, a further chip version will integrate 5 V compatible I^2C -pads, which will render superfluous any external (radiation hard) level shifting devices.

A Pad Description

A reference number has been assigned to each pad. The numbering starts in the upper left corner of the die (with the analog input pads left) and runs counter-clockwise (cf. fig. 16). The following tables summarise the signals and explain them. The pad coordinates refer to the lower left corner of the pad opening, which is $120\ \mu\text{m} \times 95\ \mu\text{m}$ in case of the front pads and $95\ \mu\text{m} \times 95\ \mu\text{m}$ for all others. The origin of the coordinate system is defined by the lower left chip corner (0,0). The dimensions of the chip die are $5,100\ \mu\text{m} \times 6,100\ \mu\text{m}$ ⁶. The analog input pads have a pitch of $40.24\ \mu\text{m}$, all others $115\ \mu\text{m}$.

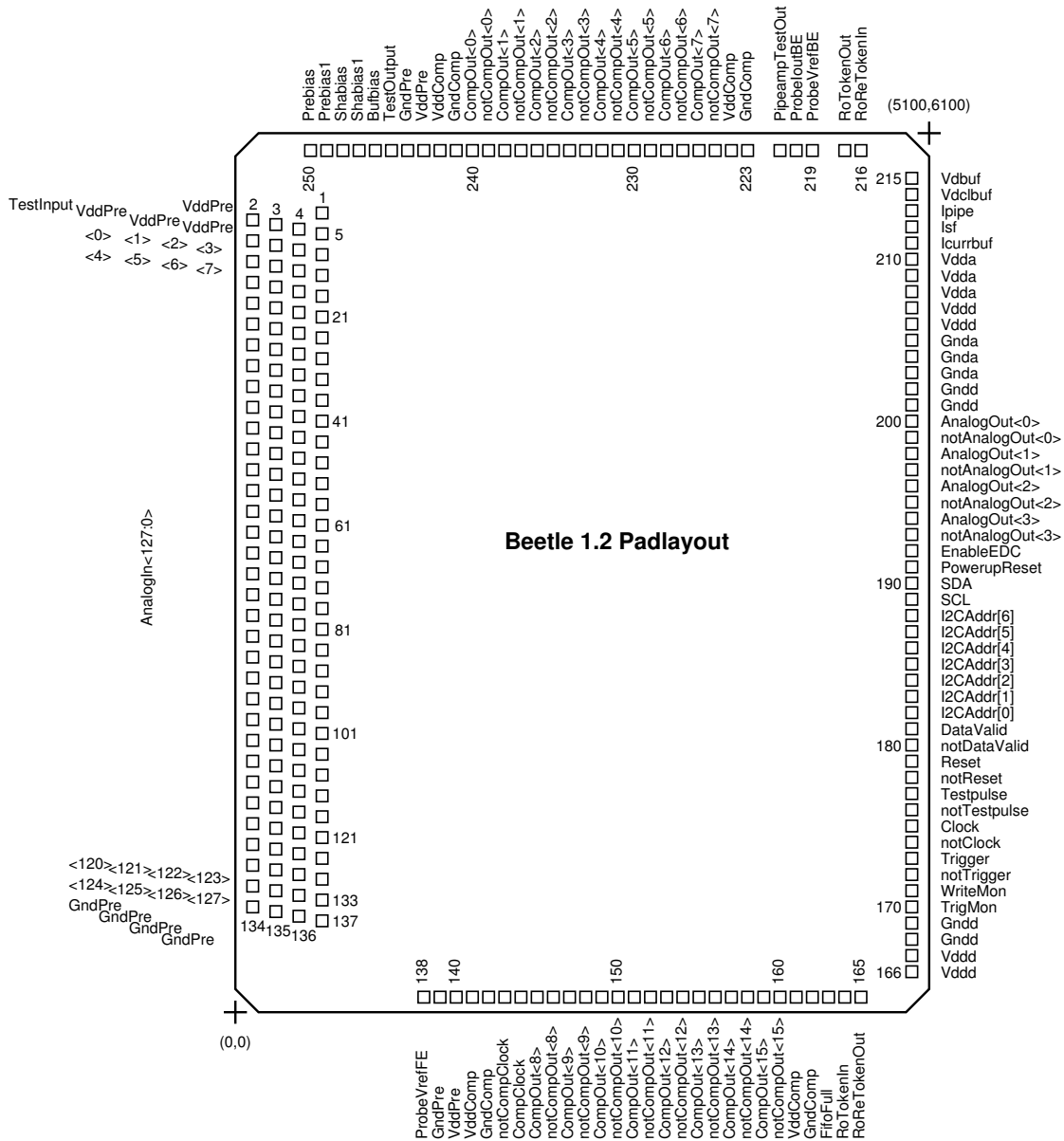


Figure 16: Pad layout of *Beetle1.2*. The die size is $(5.1 \times 6.1)\ \text{mm}^2$.

⁶Note, that this are the dimensions of the chip's scribe line, i.e. not including cutting margins. They could add some $100\ \mu\text{m}$ to the chip dimensions.

A.1 Front Pads

Ref. no.	Pin name	Coordinates		Type	Description
		x [μm]	y [μm]		
1	VddPre	490.00	5836.30	power input	positive preamplifier supply
2	TestInput	25.00	5796.06	input	input of test channel
3	VddPre	180.00	5755.82	power input	positive preamplifier supply
4	VddPre	335.00	5715.58	power input	positive preamplifier supply
5	VddPre	490.00	5675.34	power input	positive preamplifier supply
6	AnalogIn[0]	25.00	5635.10	input	input of channel 0
7	AnalogIn[1]	180.00	5594.86	input	input of channel 1
8	AnalogIn[2]	335.00	5554.62	input	input of channel 2
9	AnalogIn[3]	490.00	5514.38	input	input of channel 3
10	AnalogIn[4]	25.00	5474.14	input	input of channel 4
11	AnalogIn[5]	180.00	5433.90	input	input of channel 5
12	AnalogIn[6]	335.00	5393.66	input	input of channel 6
13	AnalogIn[7]	490.00	5353.42	input	input of channel 7
14	AnalogIn[8]	25.00	5313.18	input	input of channel 8
15	AnalogIn[9]	180.00	5272.94	input	input of channel 9
16	AnalogIn[10]	335.00	5232.70	input	input of channel 10
17	AnalogIn[11]	490.00	5192.46	input	input of channel 11
18	AnalogIn[12]	25.00	5152.22	input	input of channel 12
19	AnalogIn[13]	180.00	5111.98	input	input of channel 13
20	AnalogIn[14]	335.00	5071.74	input	input of channel 14
21	AnalogIn[15]	490.00	5031.50	input	input of channel 15
22	AnalogIn[16]	25.00	4991.26	input	input of channel 16
23	AnalogIn[17]	180.00	4951.02	input	input of channel 17
24	AnalogIn[18]	335.00	4910.78	input	input of channel 18
25	AnalogIn[19]	490.00	4870.54	input	input of channel 19
26	AnalogIn[20]	25.00	4830.30	input	input of channel 20
27	AnalogIn[21]	180.00	4790.06	input	input of channel 21
28	AnalogIn[22]	335.00	4749.82	input	input of channel 22
29	AnalogIn[23]	490.00	4709.58	input	input of channel 23
30	AnalogIn[24]	25.00	4669.34	input	input of channel 24
31	AnalogIn[25]	180.00	4629.10	input	input of channel 25
32	AnalogIn[26]	335.00	4588.86	input	input of channel 26
33	AnalogIn[27]	490.00	4548.62	input	input of channel 27
34	AnalogIn[28]	25.00	4508.38	input	input of channel 28
35	AnalogIn[29]	180.00	4468.14	input	input of channel 29
36	AnalogIn[30]	335.00	4427.90	input	input of channel 30
37	AnalogIn[31]	490.00	4387.66	input	input of channel 31
38	AnalogIn[32]	25.00	4347.42	input	input of channel 32
39	AnalogIn[33]	180.00	4307.18	input	input of channel 33
40	AnalogIn[34]	335.00	4266.94	input	input of channel 34
41	AnalogIn[35]	490.00	4226.70	input	input of channel 35
42	AnalogIn[36]	25.00	4186.46	input	input of channel 36
43	AnalogIn[37]	180.00	4146.22	input	input of channel 37
44	AnalogIn[38]	335.00	4105.98	input	input of channel 38
45	AnalogIn[39]	490.00	4065.74	input	input of channel 39
46	AnalogIn[40]	25.00	4025.50	input	input of channel 40
47	AnalogIn[41]	180.00	3985.26	input	input of channel 41
48	AnalogIn[42]	335.00	3945.02	input	input of channel 42
49	AnalogIn[43]	490.00	3904.78	input	input of channel 43
50	AnalogIn[44]	25.00	3864.54	input	input of channel 44
51	AnalogIn[45]	180.00	3824.30	input	input of channel 45

Ref. no.	Pin name	Coordinates		Type	Description
		x [μm]	y [μm]		
52	AnalogIn[46]	335.00	3784.06	input	input of channel 46
53	AnalogIn[47]	490.00	3743.82	input	input of channel 47
54	AnalogIn[48]	25.00	3703.58	input	input of channel 48
55	AnalogIn[49]	180.00	3663.34	input	input of channel 49
56	AnalogIn[50]	335.00	3623.10	input	input of channel 50
57	AnalogIn[51]	490.00	3582.86	input	input of channel 51
58	AnalogIn[52]	25.00	3542.62	input	input of channel 52
59	AnalogIn[53]	180.00	3502.38	input	input of channel 53
60	AnalogIn[54]	335.00	3462.14	input	input of channel 54
61	AnalogIn[55]	490.00	3421.90	input	input of channel 55
62	AnalogIn[56]	25.00	3381.66	input	input of channel 56
63	AnalogIn[57]	180.00	3341.42	input	input of channel 57
64	AnalogIn[58]	335.00	3301.18	input	input of channel 58
65	AnalogIn[59]	490.00	3260.94	input	input of channel 59
66	AnalogIn[60]	25.00	3220.70	input	input of channel 60
67	AnalogIn[61]	180.00	3180.46	input	input of channel 61
68	AnalogIn[62]	335.00	3140.22	input	input of channel 62
69	AnalogIn[63]	490.00	3099.98	input	input of channel 63
70	AnalogIn[64]	25.00	3059.74	input	input of channel 64
71	AnalogIn[65]	180.00	3019.50	input	input of channel 65
72	AnalogIn[66]	335.00	2979.26	input	input of channel 66
73	AnalogIn[67]	490.00	2939.02	input	input of channel 67
74	AnalogIn[68]	25.00	2898.78	input	input of channel 68
75	AnalogIn[69]	180.00	2858.54	input	input of channel 69
76	AnalogIn[70]	335.00	2818.30	input	input of channel 70
77	AnalogIn[71]	490.00	2778.06	input	input of channel 71
78	AnalogIn[72]	25.00	2737.82	input	input of channel 72
79	AnalogIn[73]	180.00	2697.58	input	input of channel 73
80	AnalogIn[74]	335.00	2657.34	input	input of channel 74
81	AnalogIn[75]	490.00	2617.10	input	input of channel 75
82	AnalogIn[76]	25.00	2576.86	input	input of channel 76
83	AnalogIn[77]	180.00	2536.62	input	input of channel 77
84	AnalogIn[78]	335.00	2496.38	input	input of channel 78
85	AnalogIn[79]	490.00	2456.14	input	input of channel 79
86	AnalogIn[80]	25.00	2415.90	input	input of channel 80
87	AnalogIn[81]	180.00	2375.66	input	input of channel 81
88	AnalogIn[82]	335.00	2335.42	input	input of channel 82
89	AnalogIn[83]	490.00	2295.18	input	input of channel 83
90	AnalogIn[84]	25.00	2254.94	input	input of channel 84
91	AnalogIn[85]	180.00	2214.70	input	input of channel 85
92	AnalogIn[86]	335.00	2174.46	input	input of channel 86
93	AnalogIn[87]	490.00	2134.22	input	input of channel 87
94	AnalogIn[88]	25.00	2093.98	input	input of channel 88
95	AnalogIn[89]	180.00	2053.74	input	input of channel 89
96	AnalogIn[90]	335.00	2013.50	input	input of channel 90
97	AnalogIn[91]	490.00	1973.26	input	input of channel 91
98	AnalogIn[92]	25.00	1933.02	input	input of channel 92
99	AnalogIn[93]	180.00	1892.78	input	input of channel 93
100	AnalogIn[94]	335.00	1852.54	input	input of channel 94
101	AnalogIn[95]	490.00	1812.30	input	input of channel 95
102	AnalogIn[96]	25.00	1772.06	input	input of channel 96
103	AnalogIn[97]	180.00	1731.82	input	input of channel 97
104	AnalogIn[98]	335.00	1691.58	input	input of channel 98

Ref. no.	Pin name	Coordinates		Type	Description
		x [μm]	y [μm]		
105	AnalogIn[99]	490.00	1651.34	input	input of channel 99
106	AnalogIn[100]	25.00	1611.10	input	input of channel 100
107	AnalogIn[101]	180.00	1570.86	input	input of channel 101
108	AnalogIn[102]	335.00	1530.62	input	input of channel 102
109	AnalogIn[103]	490.00	1490.38	input	input of channel 103
110	AnalogIn[104]	25.00	1450.14	input	input of channel 104
111	AnalogIn[105]	180.00	1409.90	input	input of channel 105
112	AnalogIn[106]	335.00	1369.66	input	input of channel 106
113	AnalogIn[107]	490.00	1329.42	input	input of channel 107
114	AnalogIn[108]	25.00	1289.18	input	input of channel 108
115	AnalogIn[109]	180.00	1248.94	input	input of channel 109
116	AnalogIn[110]	335.00	1208.70	input	input of channel 110
117	AnalogIn[111]	490.00	1168.46	input	input of channel 111
118	AnalogIn[112]	25.00	1128.22	input	input of channel 112
119	AnalogIn[113]	180.00	1087.98	input	input of channel 113
120	AnalogIn[114]	335.00	1047.74	input	input of channel 114
121	AnalogIn[115]	490.00	1007.50	input	input of channel 115
122	AnalogIn[116]	25.00	967.26	input	input of channel 116
123	AnalogIn[117]	180.00	927.02	input	input of channel 117
124	AnalogIn[118]	335.00	886.78	input	input of channel 118
125	AnalogIn[119]	490.00	846.54	input	input of channel 119
126	AnalogIn[120]	25.00	806.30	input	input of channel 120
127	AnalogIn[121]	180.00	766.06	input	input of channel 121
128	AnalogIn[122]	335.00	725.82	input	input of channel 122
129	AnalogIn[123]	490.00	685.58	input	input of channel 123
130	AnalogIn[124]	25.00	645.34	input	input of channel 124
131	AnalogIn[125]	180.00	605.10	input	input of channel 125
132	AnalogIn[126]	335.00	564.86	input	input of channel 126
133	AnalogIn[127]	490.00	524.62	input	input of channel 127
134	GndPre	25.00	484.38	power input	negative preamplifier supply (detector ground)
135	GndPre	180.00	444.14	power input	negative preamplifier supply (detector ground)
136	GndPre	335.00	403.90	power input	negative preamplifier supply (detector ground)
137	GndPre	490.00	363.66	power input	negative preamplifier supply (detector ground)

A.2 Bottom Pads

Ref. no.	Pin name	Coordinates		Type	Description
		x [μm]	y [μm]		
138	ProbeVrefFE	1754.12	37.50	output	analog probe pad for front-end current source
139	GndPre	1869.12	37.50	power input	negative preamplifier supply (detector ground)
140	VddPre	1984.12	37.50	power input	positive preamplifier supply
141	VddComp	2099.12	37.50	power input	positive comparator supply
142	GndComp	2214.12	37.50	power input	negative comparator supply
143	notCompClock	2329.12	37.50	LVDS input	comparator clock
144	CompClock	2444.12	37.50	LVDS input	comparator clock
145	CompOut [8]	2559.12	37.50	LVDS output	comparator output ch. 8
146	notCompOut [8]	2674.12	37.50	LVDS output	comparator output ch. 8
147	CompOut [9]	2789.12	37.50	LVDS output	comparator output ch. 9
148	notCompOut [9]	2904.12	37.50	LVDS output	comparator output ch. 9
149	CompOut [10]	3019.12	37.50	LVDS output	comparator output ch. 10
150	notCompOut [10]	3134.12	37.50	LVDS output	comparator output ch. 10
151	CompOut [11]	3249.12	37.50	LVDS output	comparator output ch. 11
152	notCompOut [11]	3364.12	37.50	LVDS output	comparator output ch. 11
153	CompOut [12]	3479.12	37.50	LVDS output	comparator output ch. 12
154	notCompOut [12]	3594.12	37.50	LVDS output	comparator output ch. 12
155	CompOut [13]	3709.12	37.50	LVDS output	comparator output ch. 13
156	notCompOut [13]	3824.12	37.50	LVDS output	comparator output ch. 13
157	CompOut [14]	3939.12	37.50	LVDS output	comparator output ch. 14
158	notCompOut [14]	4054.12	37.50	LVDS output	comparator output ch. 14
159	CompOut [15]	4169.12	37.50	LVDS output	comparator output ch. 15
160	notCompOut [15]	4284.12	37.50	LVDS output	comparator output ch. 15
161	VddComp	4399.12	37.50	power input	positive comparator supply
162	GndComp	4514.12	37.50	power input	negative comparator supply
163	FifoFull	4629.12	37.50	CMOS output	indicates a full derandomising buffer
164	RoTokenIn	4744.12	37.50	CMOS input	input of the readout token in the daisy-chain operation mode
165	RoReTokenOut	4859.12	37.50	CMOS output	readout return token output in daisy-chain mode

A.3 Backside Pads

Ref. no.	Pin name	Coordinates		Type	Description
		x [μm]	y [μm]		
166	Vddd	4974.62	184.72	power input	positive digital supply
167	Vddd	4974.62	299.72	power input	positive digital supply
168	Gddd	4974.62	414.72	power input	negative digital supply
169	Gddd	4974.62	529.72	power input	negative digital supply
170	TrigMon	4974.62	644.72	CMOS output	indicates if trigger pointer passes column 0
171	WriteMon	4974.62	759.72	CMOS output	indicates if write pointer passes column 0
172	notTrigger	4974.62	874.72	LVDS input	trigger
173	Trigger	4974.62	989.72	LVDS input	trigger
174	notClock	4974.62	1104.72	LVDS input	sampling clock
175	Clock	4974.62	1219.72	LVDS input	sampling clock
176	notTestpulse	4974.62	1334.72	LVDS input	test pulse
177	Testpulse	4974.62	1449.72	LVDS input	test pulse

Ref. no.	Pin name	Coordinates		Type	Description
		x [μm]	y [μm]		
178	notReset	4974.62	1564.72	LVDS input	system reset
179	Reset	4974.62	1679.72	LVDS input	system reset
180	notDataValid	4974.62	1794.72	LVDS output	indicates presence of valid data on AnalogOut
181	DataValid	4974.62	1909.72	LVDS output	indicates presence of valid data on AnalogOut
182	I2CAddr[0]	4974.62	2024.72	CMOS input (pull-down)	chip address bit 0
183	I2CAddr[1]	4974.62	2139.72	CMOS input (pull-down)	chip address bit 1
184	I2CAddr[2]	4974.62	2254.72	CMOS input (pull-down)	chip address bit 2
185	I2CAddr[3]	4974.62	2369.72	CMOS input (pull-down)	chip address bit 3
186	I2CAddr[4]	4974.62	2484.72	CMOS input (pull-down)	chip address bit 4
187	I2CAddr[5]	4974.62	2599.72	CMOS input (pull-down)	chip address bit 5
188	I2CAddr[6]	4974.62	2714.72	CMOS input (pull-down)	chip address bit 6
189	SCL	4974.62	2829.72	CMOS input	I2C-bus clock port
190	SDA	4974.62	2944.72	CMOS input/output	I2C-bus data port
191	PowerupReset	4974.62	3059.72	block input/output	block pad for power-up reset
192	EnableEDC	4974.62	3174.72	CMOS input (pull-up)	enables Error Detection and Correction
193	notAnalogOut[3]	4974.62	3289.72	output	analog output ch. 3
194	AnalogOut[3]	4974.62	3404.72	output	analog output ch. 3
195	notAnalogOut[2]	4974.62	3519.72	output	analog output ch. 2
196	AnalogOut[2]	4974.62	3634.72	output	analog output ch. 2
197	notAnalogOut[1]	4974.62	3749.72	output	analog output ch. 1
198	AnalogOut[1]	4974.62	3864.72	output	analog output ch. 1
199	notAnalogOut[0]	4974.62	3979.72	output	analog output ch. 0
200	AnalogOut[0]	4974.62	4094.72	output	analog output ch. 0
201	Gndd	4974.62	4209.72	power input	negative digital supply
202	Gndd	4974.62	4324.72	power input	negative digital supply
203	Gnda	4974.62	4439.72	power input	negative analog supply
204	Gnda	4974.62	4554.72	power input	negative analog supply
205	Gnda	4974.62	4669.72	power input	negative analog supply
206	Vddd	4974.62	4784.72	power input	positive digital supply
207	Vddd	4974.62	4899.72	power input	positive digital supply
208	Vdda	4974.62	5014.72	power input	positive analog supply
209	Vdda	4974.62	5129.72	power input	positive analog supply
210	Vdda	4974.62	5244.72	power input	positive analog supply
211	Icurrbuf	4974.62	5359.72	block output	analog probe pad (to be blocked)
212	Isf	4974.62	5474.72	block output	analog probe pad (to be blocked)
213	Ipipe	4974.62	5589.72	block output	analog probe pad (to be blocked)
214	Vdc1buf	4974.62	5704.72	block output	analog probe pad (to be blocked)
215	Vdbuf	4974.62	5819.72	block output	analog probe pad (to be blocked)

A.4 Top Pads

Ref. no.	Pin name	Coordinates		Type	Description
		x [μm]	y [μm]		
216	RoReTokenIn	4859.12	5967.52	CMOS input	readout return token input in daisy-chain mode
217	RoTokenOut	4744.12	5967.52	CMOS output	readout token output in daisy-chain mode
219	ProbeVrefBE	4514.12	5967.52	output	analog probe pad for back-end current source
220	ProbeIoutBE	4399.12	5967.52	output	analog probe pad for back-end current source
221	PipeampTestOut	4284.12	5967.52	output	pipeamp output of test channel
223	GndComp	4054.12	5967.52	power input	negative comparator supply
224	VddComp	3939.12	5967.52	power input	positive comparator supply
225	notCompOut [7]	3824.12	5967.52	LVDS output	comparator output ch. 7
226	CompOut [7]	3709.12	5967.52	LVDS output	comparator output ch. 7
227	notCompOut [6]	3594.12	5967.52	LVDS output	comparator output ch. 6
228	CompOut [6]	3479.12	5967.52	LVDS output	comparator output ch. 6
229	notCompOut [5]	3364.12	5967.52	LVDS output	comparator output ch. 5
230	CompOut [5]	3249.12	5967.52	LVDS output	comparator output ch. 5
231	notCompOut [4]	3134.12	5967.52	LVDS output	comparator output ch. 4
232	CompOut [4]	3019.12	5967.52	LVDS output	comparator output ch. 4
233	notCompOut [3]	2904.12	5967.52	LVDS output	comparator output ch. 3
234	CompOut [3]	2789.12	5967.52	LVDS output	comparator output ch. 3
235	notCompOut [2]	2674.12	5967.52	LVDS output	comparator output ch. 2
236	CompOut [2]	2559.12	5967.52	LVDS output	comparator output ch. 2
237	notCompOut [1]	2444.12	5967.52	LVDS output	comparator output ch. 1
238	CompOut [1]	2329.12	5967.52	LVDS output	comparator output ch. 1
239	notCompOut [0]	2214.12	5967.52	LVDS output	comparator output ch. 0
240	CompOut [0]	2099.12	5967.52	LVDS output	comparator output ch. 0
241	GndComp	1984.12	5967.52	power input	negative comparator supply
242	VddComp	1869.12	5967.52	power input	positive comparator supply
243	VddPre	1754.12	5967.52	power input	positive preamplifier supply
244	GndPre	1639.12	5967.52	power input	negative preamplifier supply (detector ground)
245	TestOutput	1524.12	5967.52	output	front-end output of test channel
246	Bufbias	1409.12	5967.52	output	analog probe pad
247	Shabias1	1294.12	5967.52	output	analog probe pad
248	Shabias	1179.12	5967.52	output	analog probe pad
249	Prebias1	1064.12	5967.52	output	analog probe pad
250	Prebias	949.12	5967.52	output	analog probe pad

B Heidelberg Test Boards

For a standalone characterisation of the *Beetle* chip, i.e. without a silicon sensor applied to its input, a test setup consisting of two printed circuit boards has been developed in Heidelberg. This section summarises the pin configurations and bonding schemes of the two boards. The *daughter board* can carry two *Beetle* chips and is mounted on a second board, called *mother board*, which integrates the I²C-level-shifting circuit (fig. 14) as well as the receiver circuitry for the output stages (fig. 2). The setup allows the charge injection to 12 input channels per chip via a resistive voltage divider (located on the mother board) and a serial capacitance. Parallel capacitances can be applied as load. Serial and parallel capacitances are located on the daughter board.

Fig. 17 shows the pin configuration of the daughter board, Figs. 18 and 19 the corresponding bonding schemes. The pin configuration of the mother board is depicted in fig. 20.

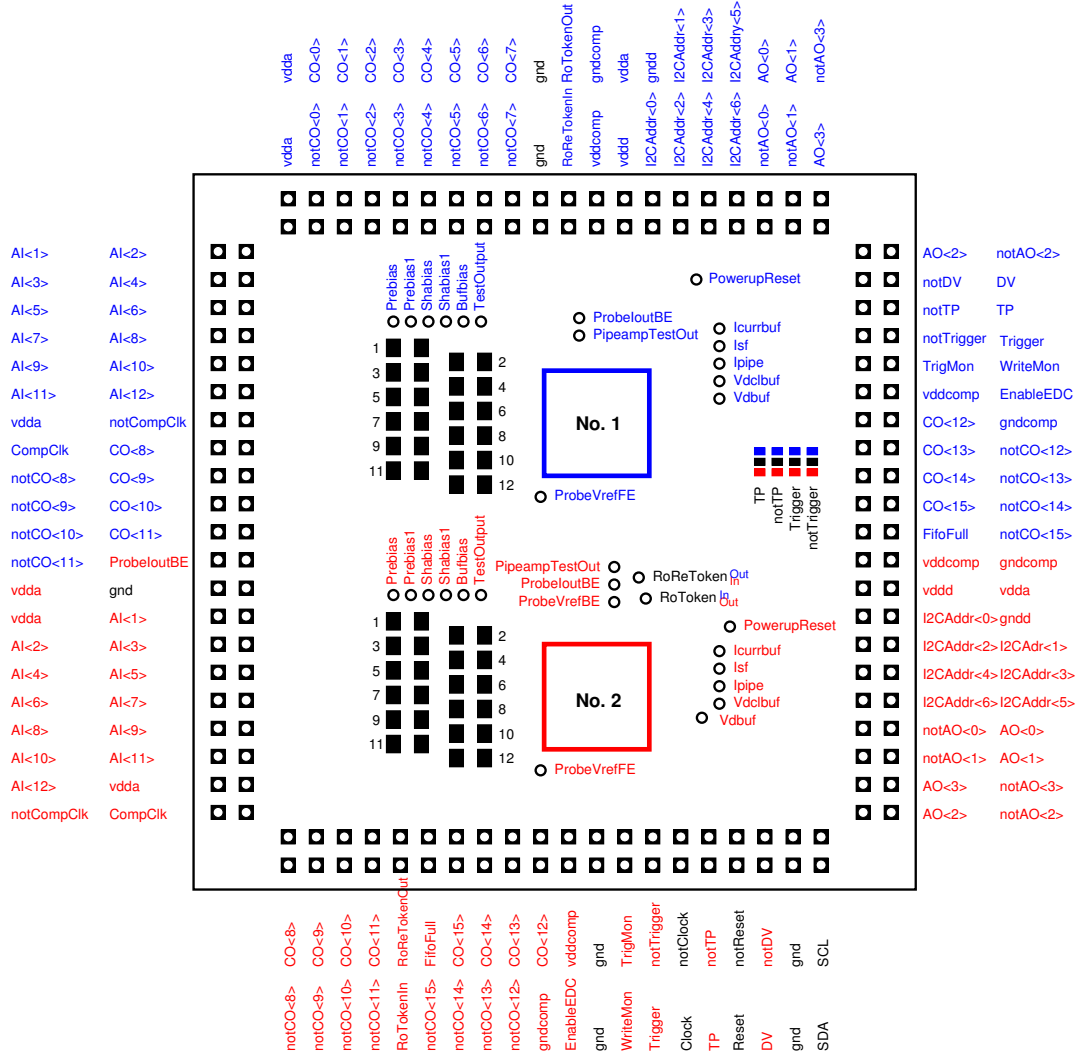


Figure 17: Pin configuration of the daughter board. The four jumper rows labelled *TP*, *notTP*, *Trigger*, *notTrigger* refer to chip no. 1 and select between the signal pins on the right side (upper position) and on the bottom side (lower position). Using the lower jumper positions, both chips receive *Trigger* and *TP* signals via the bottom side pins.

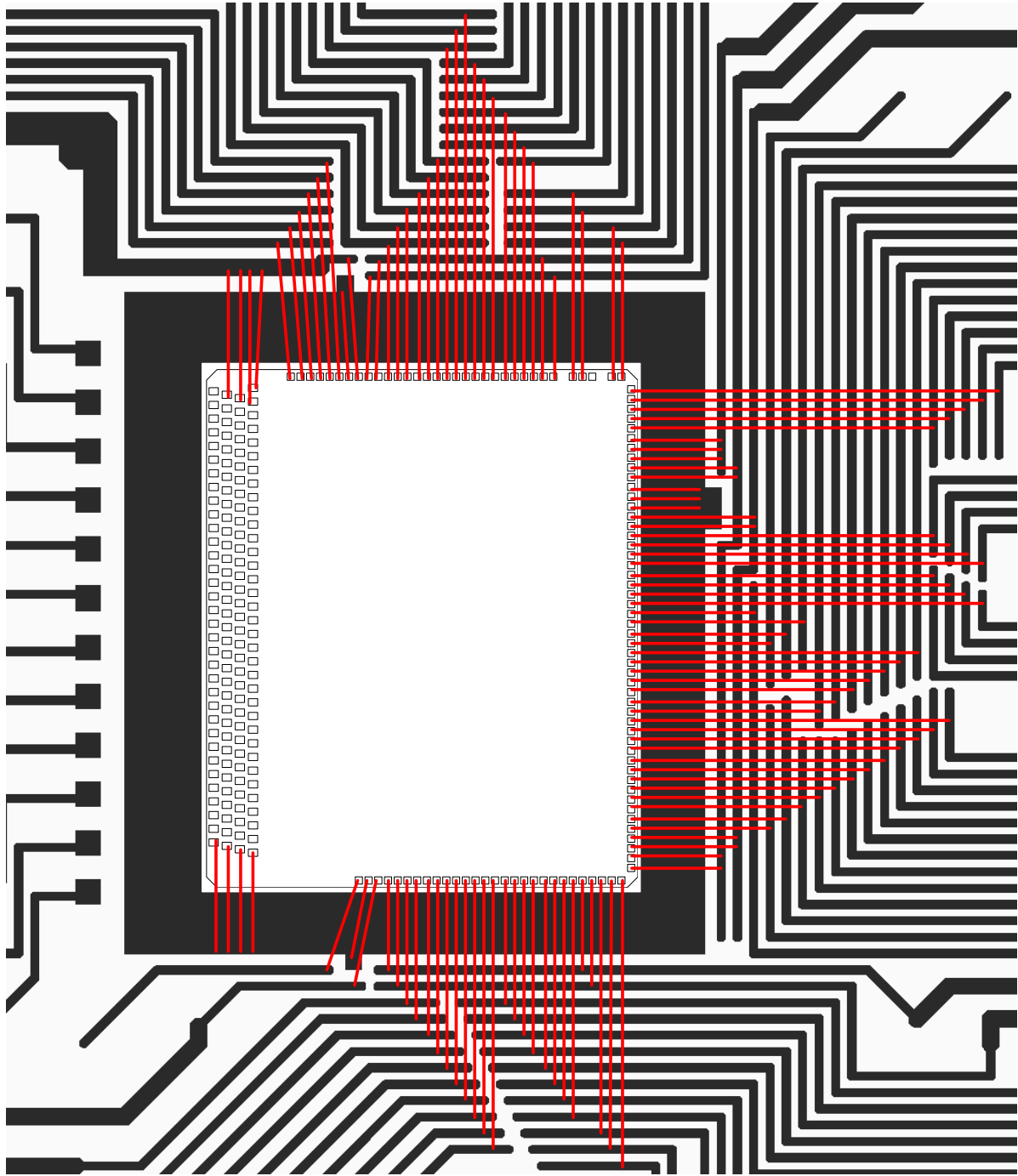


Figure 18: Bonding scheme of chip 1 on the daughter board.

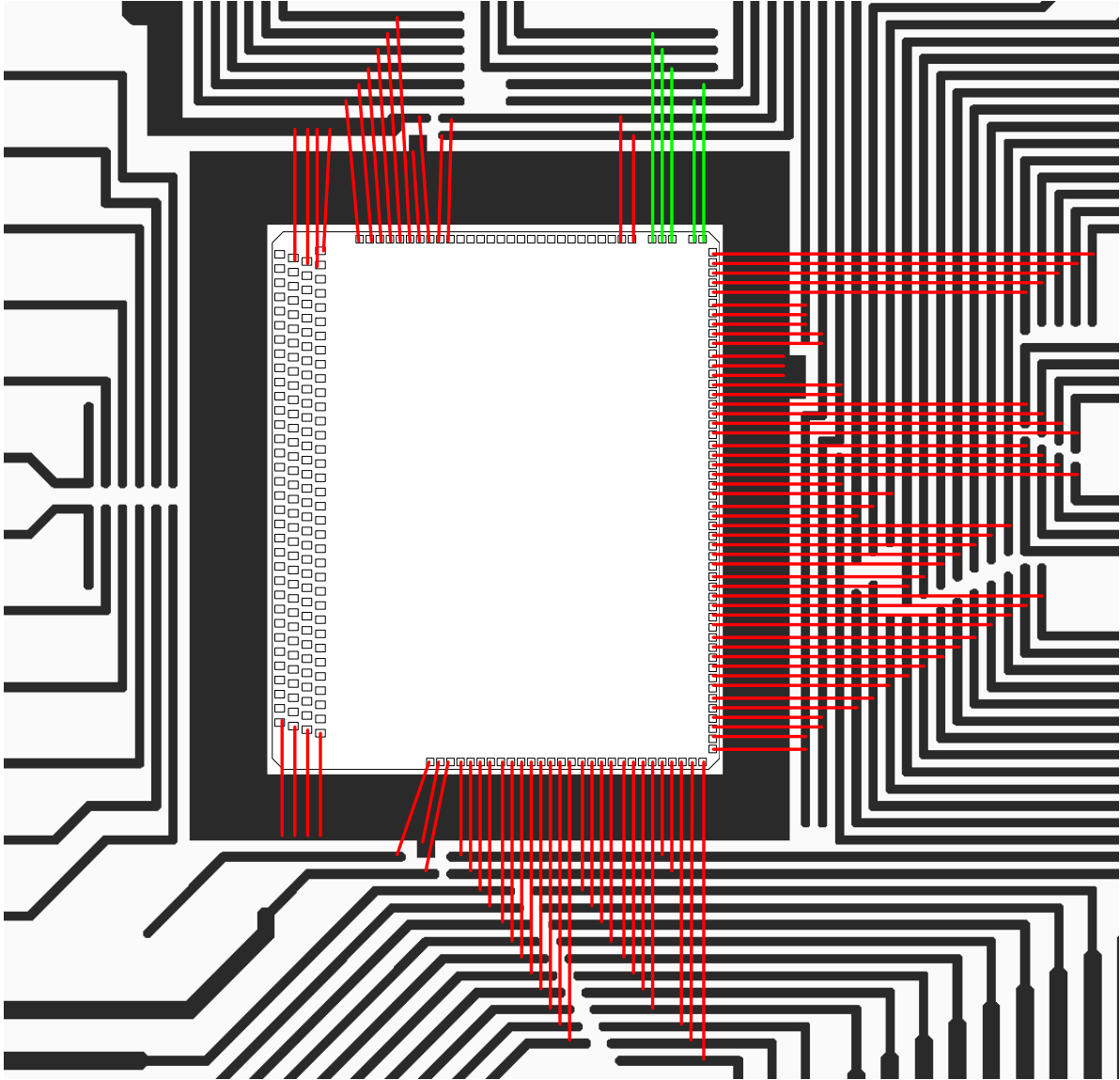


Figure 19: Bonding scheme of chip 2 on the daughter board.

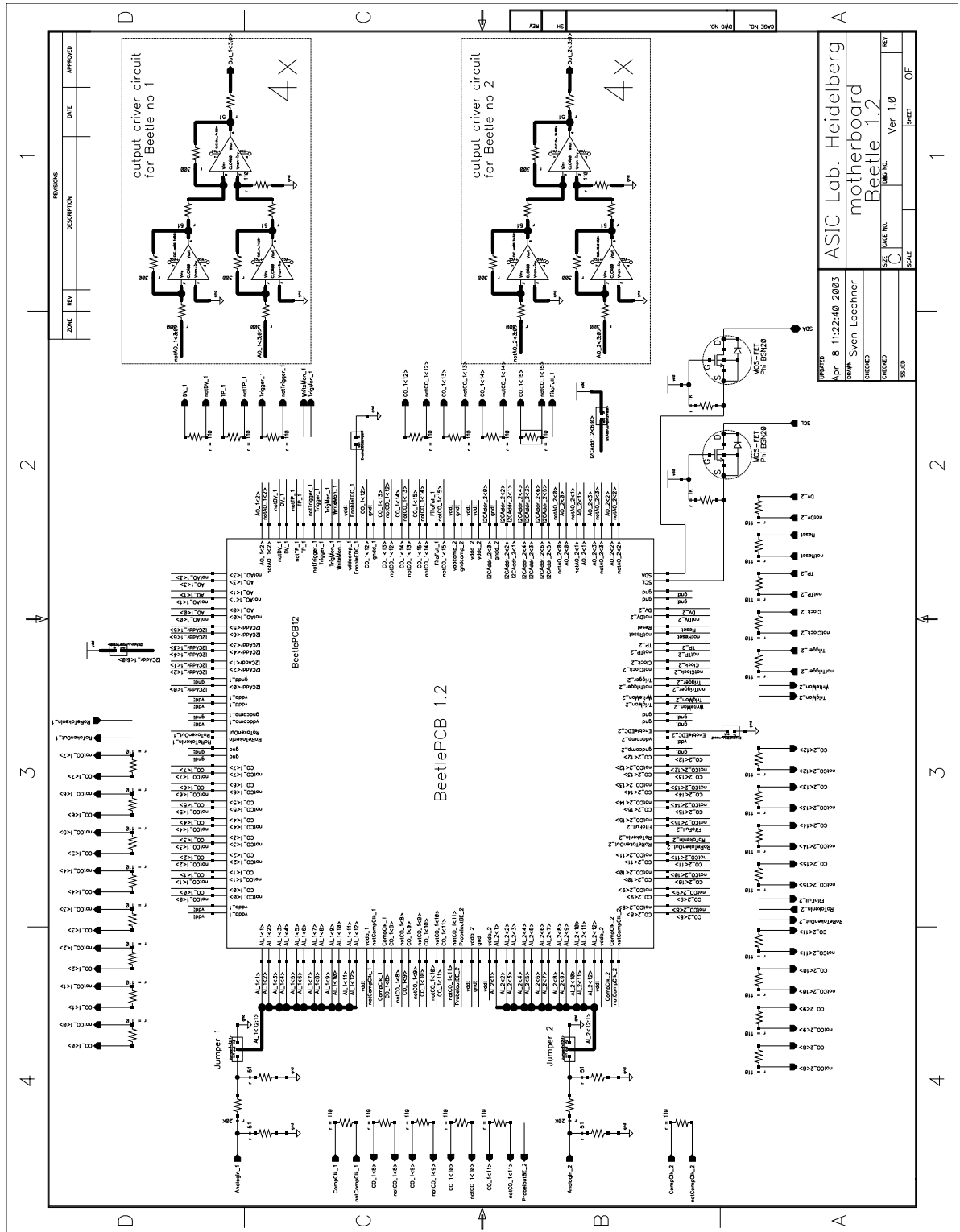


Figure 21: Schematic diagram of the mother board.

References

- [1] R. Brenner et al., Nucl. Instr. and Meth. A339 (1994) 564
- [2] R. Brenner et al., Performance of a LHC front-end running at 67 MHz, NIM A339 (1994) 447
- [3] R. Horrisberger et al., A novel readout chip for silicon strip detectors with analog pipeline and digitally controlled analog processing, NIM A326 (1993) 92
- [4] D. Baumeister, Development and Characterisation of a Radiation Hard Readout Chip for the LHCb Experiment, Thesis, Universität Heidelberg, 2003
- [5] CLC400, Fast Settling, Wideband Low Gain Monolithic Op Amp, National Semiconductor
- [6] National Semiconductor, LVDS Owner's Manual, Design Guide, Spring 1997
- [7] National Semiconductor, DS90C032 LVDS Quad CMOS Differential Line Receiver, June 1998
- [8] The I²C-bus and how to use it, Philips Semiconductors, 1995
- [9] Bi-directional level shifter for I²C-bus and other systems, Application Note AN97055, Philips Semiconductors, 1998