



The dynamic response of clamped rectangular Y-frame and corrugated core sandwich plates

V. Rubino, V.S. Deshpande*, N.A. Fleck

Cambridge University, Engineering Department, Trumpington Street, Cambridge, CB2 1PZ, UK

ARTICLE INFO

Article history:

Received 4 March 2008

Accepted 7 June 2008

Available online 3 July 2008

Keywords:

Sandwich plates
Dynamic response
FE simulations
Lattice materials

ABSTRACT

The dynamic response of fully clamped, monolithic and sandwich plates of equal areal mass has been measured by loading rectangular plates over a central patch with metal foam projectiles. All plates are made from AISI 304 stainless steel, and the sandwich topologies comprise two identical face-sheets and either Y-frame or corrugated cores. The resistance to shock loading is quantified by the permanent transverse deflection at mid-span of the plates as a function of projectile momentum. At low levels of projectile momentum both types of sandwich plate deflect less than monolithic plates of equal areal mass. However, at higher levels of projectile momentum, the sandwich plates tear while the monolithic plates remain intact. Three-dimensional finite element (FE) calculations adequately predict the measured responses, prior to the onset of tearing. These calculations also reveal that the accumulated plastic strains in the front face of the sandwich plates exceed those in the monolithic plates. These high plastic strains lead to failure of the front face sheets of the sandwich plates at lower values of projectile momentum than for the equivalent monolithic plates.

© 2008 Elsevier Masson SAS. All rights reserved.

1. Introduction

Clamped plates are representative of the structures used in the design of commercial and military vehicles. For example, the hull of a ship comprises plates welded to an array of stiffeners. A detailed overview on the shock response of monolithic beams and plates has been given by Jones (1989). More particularly Wang and Hopkins (1954) and Symmonds (1954) have analysed the impulsive response of clamped circular plates and beams. However, their analyses were restricted to small deflections and linear bending kinematics. By direct application of the principle of virtual work for an assumed deformation mode, Jones (1971) presented an approximate solution for simply supported circular monolithic plates undergoing finite deflections. Experiments on impulsively loaded beams and plates have confirmed the deformation modes predicted by these analyses and also revealed a range of failure modes (Menkes and Opat, 1973; Nurick and Shave, 2000). Theoretical studies by Lee and Wierzbicki (2005a, 2005b) have analysed the so-called discing and petalling failure modes in impulsively loaded clamped plates while Balden and Nurick (2005) have analysed the so-called shear rupture modes.

Over the past decade there have been substantial changes in ship design with double hulls and sandwich hulls replacing monolithic plates, see for example the review by Paik (2003). One such

innovation has been the Schelde Shipbuilding¹ sandwich design of ship hulls with a Y-frame core, see Fig. 1a. Full-scale ship collision trials reveal that the Y-frame design is more resistant to tearing than conventional monolithic designs, see Wevers and Vredeveldt (1999) and Ludolph (2001). Likewise, the finite element simulations by Konter et al. (2004) suggest that the Y-frame confers improved perforation resistance. Naar et al. (2002) have argued in broad terms that the ability of the bending-governed Y-frame topology to spread the impact load over a wide area, combined with the high in-plane stretching resistance of the Y-frame, gives the enhanced performance of the Y-frame sandwich construction over conventional single and double hull designs. The corrugated sandwich core (Fig. 1b) is a competing prismatic topology to that of the Y-frame.

Pedersen et al. (2006) and Rubino et al. (2008a) have investigated the quasi-static structural response of Y-frame sandwich beams while Côté et al. (2006) studied the response of sandwich beams with a corrugated core. These studies reveal that geometrical imperfections and/or non-uniform loading (such as indentation loading) induce bending within the struts of the corrugated core and reduce the compressive strength of the corrugated core to approximately that of the Y-frame core. Tilbrook et al. (2007) have performed a combined experimental and numerical investigation into the dynamic compressive response of these cores. They found that buckling of the webs is delayed at low impact velocities by

* Corresponding author. Fax: +44 1223 332662.

E-mail address: vsd@eng.cam.ac.uk (V.S. Deshpande).

¹ Royal Schelde, P.O. Box 16 4380 AA Vlissingen, The Netherlands.

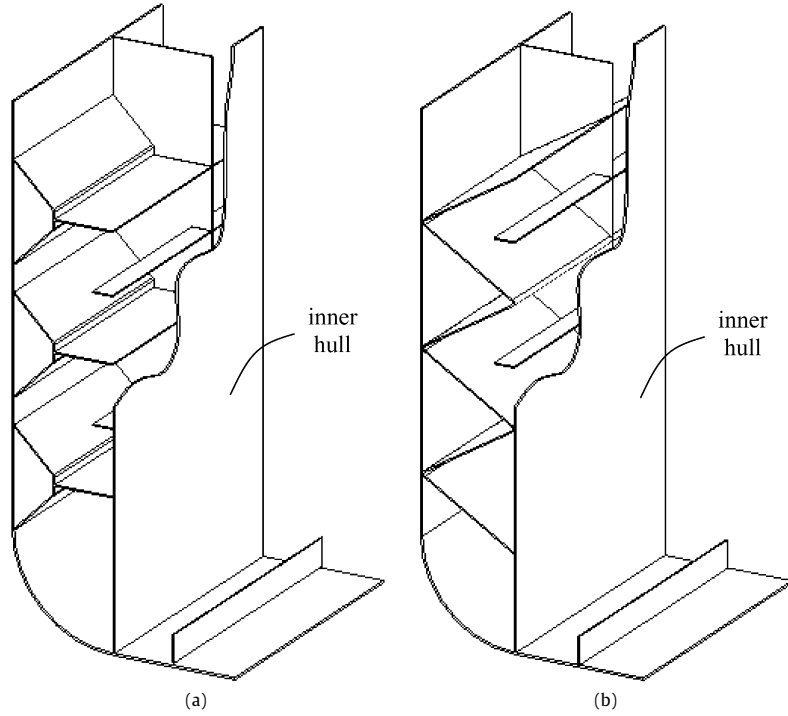


Fig. 1. Sketch of the (a) Y-frame and (b) corrugated sandwich cores as used in ship hull construction. The core is sandwiched between the outer and inner hull of the ship.

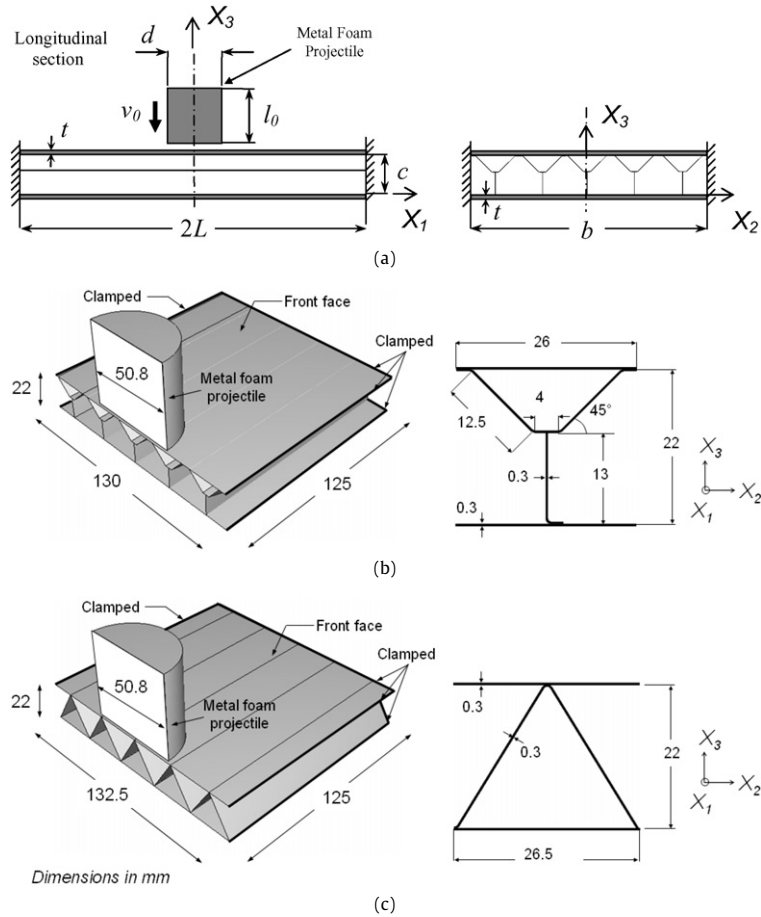


Fig. 2. (a) Sketch of the clamped sandwich plate geometry and the loading arrangement. Geometry of half sandwich plate for (b) Y-frame and (c) corrugated sandwich cores investigated in this study. The cross-section is also shown for each topology. All dimensions are in mm.

inertial stabilisation of the webs while plastic shock wave effects dominate the response at higher impact velocities.

Radford et al. (2005) have developed an experimental technique to subject structures to high intensity pressure pulses using metal

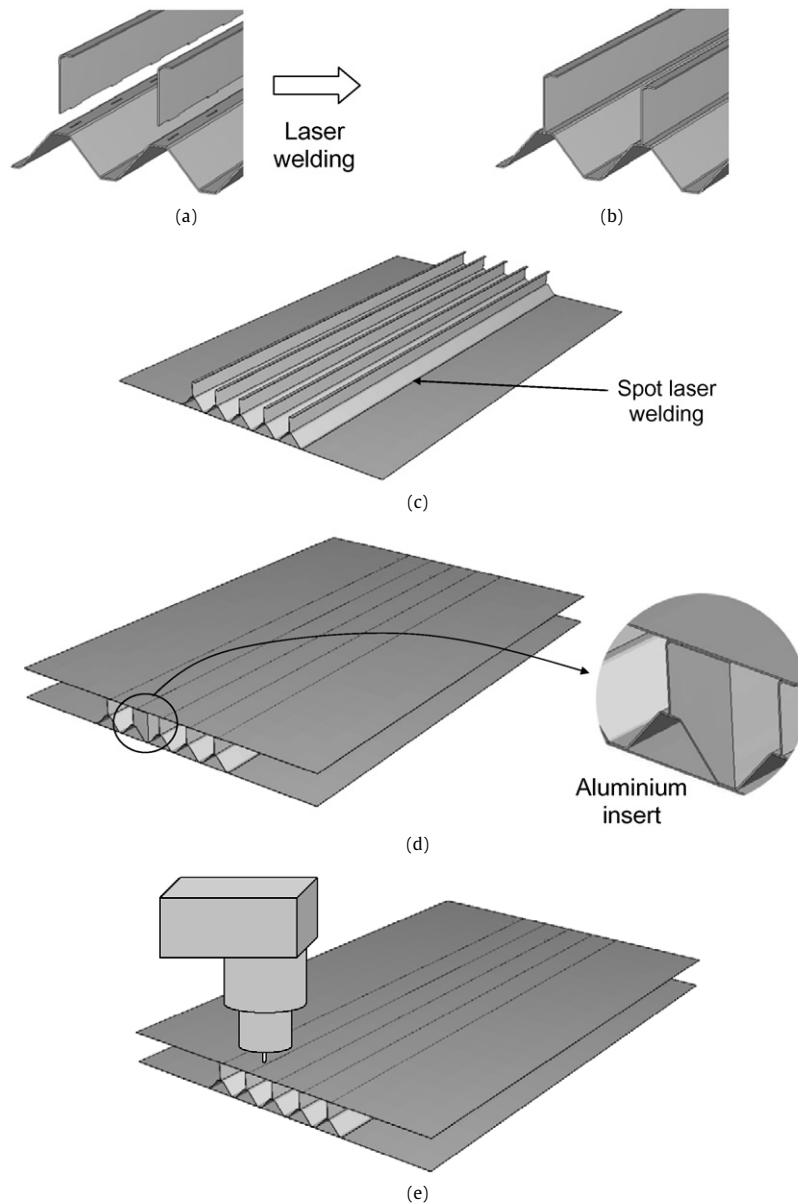


Fig. 3. The manufacturing sequence for the Y-frame sandwich plates. (a) The leg is inserted into the slots in the folded Y-frame web. (b) The leg is laser welded to the Y-frame web. (c) The Y-frame core is spot welded on to the front face sheet of the sandwich plate. (d) An aluminium insert locates the core and face sheets and (e) the assembly is laser welded together.

foam projectiles. The applied pressure versus time pulse mimics shock loading in air and in water, with peak pressures on the order of 100 MPa and loading times of approximately 100 μ s. This laboratory method has been employed in several investigations on the dynamic response of sandwich beams and plates, see for example Radford et al. (2006a) and Rathbun et al. (2006). Rubino et al. (2008b) have recently used this technique to demonstrate that sandwich beams with Y-frame and corrugated cores have a superior dynamic performance to monolithic beams of equal areal mass; in these tests, the prismatic axis of the cores was aligned with the longitudinal axis of the beams. However, clamped plates are more representative of marine structural components. The main aim of the current study is to determine the relative dynamic performance of clamped monolithic plates and clamped sandwich plates with Y-frame and corrugated cores. In order to enable a fair comparison with the beam results in Rubino et al. (2008b) we shall employ the same methodology to load the sandwich plates investigated here.

The outline of the paper is as follows. First, the manufacturing route of the sandwich plates is detailed and the experimental protocol is described for dynamic loading the plates over a central patch by metal foam projectiles. The experimental results are then compared with the corresponding observations for beams with two orientations of the core and also for monolithic plates of equal areal mass. Finally, finite element predictions are used to estimate the onset of failure in the plates.

2. Experimental investigation

Clamped rectangular sandwich plates, made from AISI 304 stainless steel and comprising two identical face-sheets and either a Y-frame or corrugated core, were loaded dynamically with metal foam projectiles as sketched in Fig. 2a. The main aims of this experimental study were:

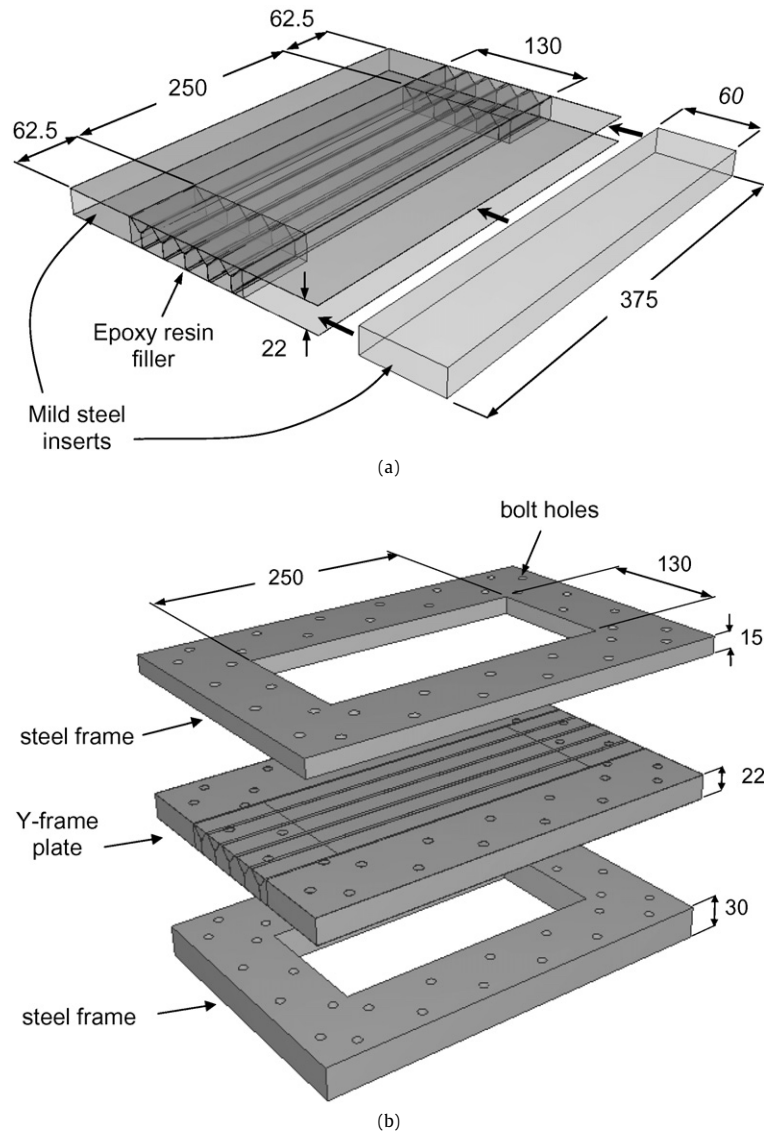


Fig. 4. The clamping arrangement of the sandwich plates. (a) The steel inserts and epoxy filling of the core ends allow for high clamping pressures. (b) The steel frame for clamping of the plates. All dimensions are in mm.

- (i) To measure the shock resistance of rectangular sandwich plates with Y-frame and corrugated cores, and of monolithic plates. All plates have an equal areal mass.
- (ii) To compare the dynamic performance of clamped rectangular sandwich plates and of end-clamped beams.
- (iii) To investigate the fidelity of three-dimensional finite element calculations in predicting the observed dynamic responses.

2.1. Specimen configuration and manufacture

The core and face sheets of the sandwich plates were made from AISI type 304 stainless steel of thickness $t = 0.3$ mm and of density $\rho_f = 7900 \text{ kg m}^{-3}$. The Y-frame and corrugated cores had an effective density $\rho_c \approx 200 \text{ kg m}^{-3}$ (corresponding to a relative density $\bar{\rho} = 2.5\%$) and a core depth $c = 22$ mm. All sandwich plates had an areal mass $m = 2t\rho_f + c\rho_c \approx 10 \text{ kg m}^{-2}$.

A co-ordinate system (X_1, X_2, X_3) is introduced in Fig. 2a in order to clarify the orientations of the cores in the sandwich plates. The longitudinal and transverse axes of the Y-frame and corrugated core are aligned with the X_1 and X_2 directions, respectively, while the through thickness direction of the core is along the X_3 axis. The short edge of the plate between the clamped edges is

labelled b along the X_2 direction while the long edge is labelled $2L$ along the X_1 direction; the chosen aspect ratio $b/2L = 0.52$ matches that of Royal Schelde's hull panels. The total depth of the sandwich plates is denoted $c + 2t$. The cross-sectional dimensions of the Y-frame and corrugated core are given in Figs. 2b and 2c, respectively. Note that the Y-frames and corrugated cores are close-packed along the X_2 -direction such that adjacent cores touch as sketched in Fig. 2.

The manufacturing sequence for the Y-frame sandwich plates is outlined in Fig. 3. The Y-frame webs were computer-numerical-control (CNC) folded to produce a continuous corrugated profile with flat tops. Slots were then CNC-cut along the tops of the corrugations as seen in Fig. 3a. Each corrugated sheet contained five Y-frame webs. The legs of the Y-frame were CNC folded and then teeth were CNC-cut into the bottom of these legs to mate with the slots of the corrugations (Fig. 3a). The assembly was then laser welded together (Fig. 3b). This core assembly was of length 375 mm and of width 130 mm. Next, the Y-frame was spot welded to 375 mm \times 250 mm stainless steel face sheets (Figs. 3c and 3d). The face sheets were then continuous laser welded to the core using CNC laser welding. In order to ensure intimate contact between

the face sheet and the core during the laser welding, an aluminium insert temporarily supported the core (Fig. 3d).

The *corrugated core*, comprising ten struts (five corrugations) inclined at $\pm 60^\circ$ (Fig. 2c), was also manufactured by CNC folding. The core was then laser welded to two identical face sheets using the same procedure as that described above for the Y-frame sandwich plates.

In order to minimise rotations and deflections of the sandwich plates along the clamped periphery, the clamping procedure as sketched in Fig. 4 was employed. Along the sides of the sandwich panel, two steel inserts of dimension $375 \text{ mm} \times 60 \text{ mm} \times 22 \text{ mm}$ were glued between the face sheets. The ends of the sandwich core were then dipped in epoxy resin to a depth of 62.5 mm, as sketched in Fig. 4a. The periphery of the sandwich plates was then clamped between two steel frames using M8 bolts, as shown in Fig. 4b. The inner dimensions of the clamping frame were $250 \text{ mm} \times 130 \text{ mm}$ and thus the effective dimensions of the Y-frame and corrugated core sandwich plates (i.e. spans of the plate between the clamped edges) were $2L = 250 \text{ mm}$ and $b = 130 \text{ mm}$.

Monolithic rectangular plates of thickness $h = 1.2 \text{ mm}$ were also made from the AISI 304 stainless steel; they possessed the same areal mass as the sandwich plates, $m \approx 10 \text{ kg m}^{-2}$, and were of overall dimension $375 \text{ mm} \times 250 \text{ mm}$. As for the sandwich case, the monolithic plates were clamped between the steel frame of Fig. 4b, giving an effective span between the clamped edges of $2L = 250 \text{ mm}$ and $b = 130 \text{ mm}$.

2.2. Uniaxial response of the constituent materials

Tensile tests were performed on dog-bone specimens machined from the as-received AISI 304 stainless steel material.² The true stress versus logarithmic strain curve $\sigma_0(\varepsilon^P)$ of the AISI 304 stainless steel measured at an applied nominal strain-rate of 10^{-3} s^{-1} is reported in Fig. 5a (note that the measured uniaxial stress versus strain responses of the 0.3 mm and 1.2 mm steel sheets were indistinguishable). The response is linear elastic with a Young's modulus $E = 210 \text{ GPa}$, followed by linear hardening above a yield strength of $\sigma_Y = 210 \text{ MPa}$. The finite element model requires a description of the high strain rate response of the 304 stainless steel. The strain-rate sensitivity of the AISI 304 stainless steel was documented by Stout and Follansbee (1986) in the range $10^{-4} \text{ s}^{-1} < \dot{\varepsilon} < 10^4 \text{ s}^{-1}$. Following their approach, we define a dynamic strength enhancement ratio R as the ratio of the strength σ_d (at a plastic strain $\varepsilon^P = 0.1$) at an applied strain-rate $\dot{\varepsilon}^P$ to the strength σ_0 ($\varepsilon^P = 0.1$) at an applied $\dot{\varepsilon}^P = 10^{-3} \text{ s}^{-1}$. Stout and Follansbee (1986) found that the ratio R is reasonably independent on the choice of plastic strain ε^P at which R is calculated. We make use their measured values for $R(\dot{\varepsilon}^P)$ and write the dynamic strength σ_d versus plastic strain ε^P response in the decoupled form:

$$\sigma_d = R(\dot{\varepsilon}^P)\sigma_0(\varepsilon^P). \quad (1)$$

This prescription for the strain rate sensitivity of the stainless steel is used in the finite element calculations described in Section 4; $\sigma_0(\varepsilon^P)$ is the measured quasi-static stress versus strain history (Fig. 5a). For illustration, the estimated true tensile stress versus logarithmic plastic strain behaviour of the AISI 304 stainless steel is sketched in Fig. 5a at four selected values of applied strain-rate using the R values given by Stout and Follansbee (1986).

² We anticipate that the welding process results in a heat affected zone wherein the properties of the steel are affected. We neglect the influence of this heat affected zone and subsequently show that this assumption gives reasonable agreement between the finite element predictions and measurements.

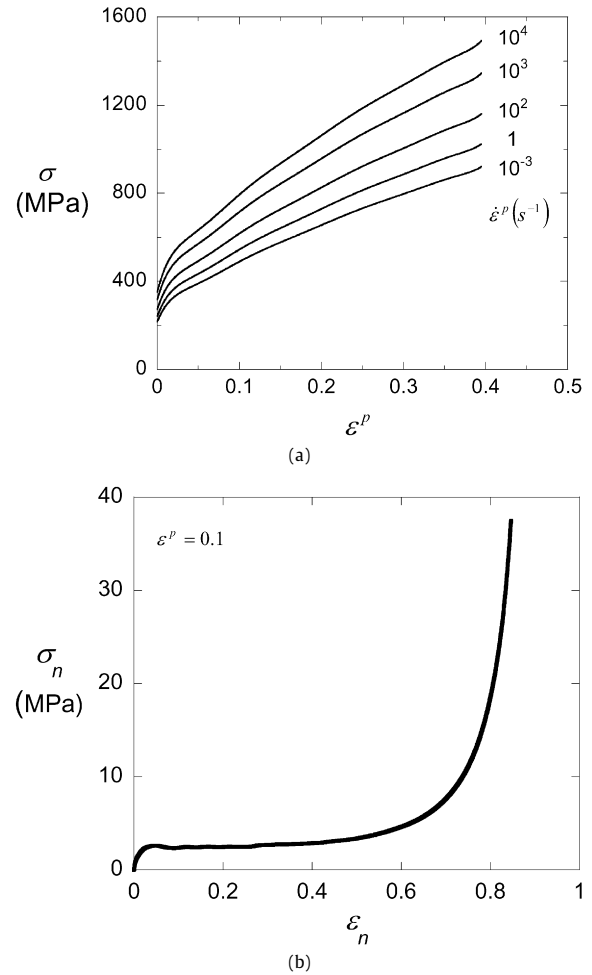


Fig. 5. (a) The measured quasi-static ($\dot{\varepsilon}^P = 10^{-3} \text{ s}^{-1}$) tensile stress versus strain response of the AISI 304 stainless steel and the estimated responses at three additional values of applied plastic strain rate, using the data of Stout and Follansbee (1986). (b) The quasi-static nominal compressive stress versus nominal strain response of the Alporas metal foam.

The projectiles used to impact the plates are made from Alporas aluminium alloy foam of relative density $\bar{\rho} \approx 0.11$. The compressive response of the foam is required in order to calibrate the constitutive parameters of the finite element model. The quasi-static compressive response of the foam was measured at a strain-rate of 10^{-3} s^{-1} using a cylindrical specimen similar to that of the projectile in the dynamic experiments (diameter 50.8 mm and length 51 mm). The nominal compressive response is shown in Fig. 5b: the foam has a plateau strength of approximately 2.5 MPa and a nominal densification strain of $\varepsilon_D \approx 0.8$.

2.3. Protocol for the dynamic tests

The clamped rectangular monolithic and sandwich plates were impacted by Alporas aluminium foam projectiles over a central circular patch of diameter d , as shown in Fig. 2a. Radford et al. (2005) have recently demonstrated that foam projectiles can be used to provide well-characterised pressure versus time loading pulses. This method has been used to measure the dynamic response of sandwich beams with lattice cores (Radford et al., 2006a) and circular sandwich plates with metal foam cores (Radford et al., 2006b) and lattice cores (McShane et al., 2006). The impact site of the Y-frame and corrugated core sandwich plates is marked in Fig. 2: in keeping with the Y-frame structures used in ships constructed by Schelde Shipbuilding, the web of the Y-frame was

Table 1

The measured dynamic responses of monolithic and sandwich plates. The symbol X denotes through-thickness tearing of the plates

Specimen	Projectile			Response		
	$I_0 = \rho_p l_0 v_0$ (kN s m ⁻²)	ρ_p (kg m ⁻³)	v_0 (m s ⁻¹)	w_b (mm)	ε_c	Visual signs of failure
Monolithic	1.6	331	94	10.5	–	–
	3.0	306	191	15	–	–
	5.1	334	299	23	–	–
	5.5	308	351	26	–	–
	6.2	311	392	28.8	–	–
	6.6	289	451	33	–	–
Y-frame	1.7	331	99	2	0.55	–
	3.1	306	198	6	0.84	longitudinal tear on impacted face
	5.1	332	301	18	0.96	longitudinal tear on impacted face
	5.4	300	351	X	X	failure of both face sheets (projectile penetrates)
Corrugated	1.7	331	99	2.5	0.49	–
	3.0	309	192	6	0.73	–
	5.0	332	297	16.5	0.96	longitudinal tear on impacted face
	5.4	300	351	X	X	failure of both face sheets (projectile penetrates)
	5.4	300	351	X	X	failure of both face sheets (projectile penetrates)

adjacent to the impacted face of the plate while the Y-frame leg was attached to the non-impacted face of the sandwich plate.

Projectiles of length $l_0 \approx 51$ mm and diameter $d = 50.8$ mm were electro-discharge machined into a circular cylindrical shape from Alporas foam blocks of density $\rho_p = 313$ kg m⁻³. The projectiles were fired at a velocity v_0 in the range 94 m s⁻¹ to 451 m s⁻¹ using a gas gun with circular barrel of diameter 50.8 mm and length 4.5 m. Results are given in terms of the projectile momentum per unit area $I_0 = \rho_p l_0 v_0$, as listed in Table 1. The plates were inspected after each experiment in order to measure the permanent central deflection and to detect any visible signs of failure.

3. Experimental results

At least four levels of momentum I_0 were imparted to the monolithic and sandwich plates by varying the metal foam projectile impact velocity. A summary of the measured deflections, core compression and observed failure modes is provided in Table 1.

3.1. Effect of projectile momentum upon the deformation of monolithic and sandwich plates

The dynamic response of the sandwich and monolithic plates is summarised in a plot of permanent back face deflections w_b at the centre of the plates versus the initial momentum of the foam projectile I_0 , see Fig. 6a. Both types of sandwich plate have a similar performance over the projectile momentum range $2 \text{ kN s m}^{-2} \leq I_0 \leq 5 \text{ kN s m}^{-2}$ and are perforated by the projectile at higher values of I_0 . In contrast, the monolithic plates have higher deflections w_b than the sandwich plates but remain intact over the entire range of I_0 investigated.

Define the permanent core compressive strain as $\varepsilon_c \equiv \Delta c/c$, where Δc is the reduction in core thickness at the centre of the plate due to impact. The measured dependence of ε_c upon I_0 is plotted in Fig. 6b for the two sandwich plate configurations. Both sandwich plates undergo similar levels of core compression over the range of I_0 values investigated.

Photographs showing the impacted face of the as-tested plates ($I_0 \approx 5 \text{ kN s m}^{-2}$) within the clamping frame are shown in Fig. 7.

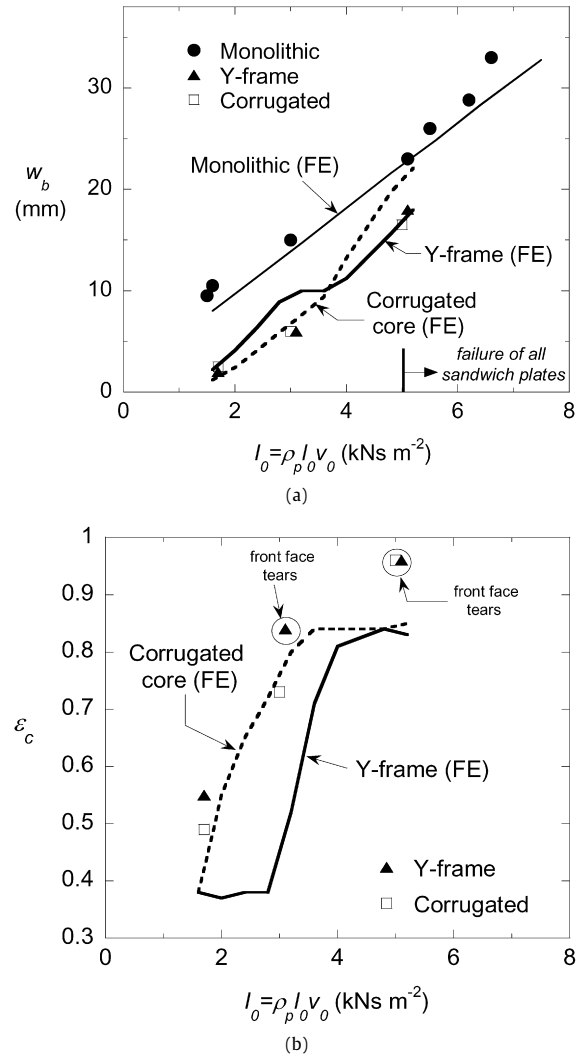


Fig. 6. Measured and FE predictions of the permanent (a) back face deflections w_b and (b) core compression at the centre of the dynamically loaded sandwich plates, as a function of the foam projectile momentum I_0 . The data for the monolithic plates are included. Symbols denote measurements while the continuous lines are the FE predictions. Front face sheet failure is denoted by encircling the salient data points of in (b).

Tears running parallel to the X_1 -axis are observed on the impacted face sheets of both the Y-frame and corrugated core sandwich plates. In contrast, the monolithic plate remained intact at this value of I_0 . Partial pull-out of the monolithic plate from the clamped supports is evident in Fig. 7a: a pen-line was traced along the inner clamped boundaries of the plates prior to each test, and the line moved inwards during the test.

In order to gain insight into the dynamic deformation mechanisms, the monolithic and sandwich plates tested at $I_0 \approx 3 \text{ kN s m}^{-2}$ were sectioned along their mid-span $X_1 = 0$. Photographs of the sectioned specimens are shown in Fig. 8a for the monolithic plate, in Fig. 8b for the sandwich plate with the Y-frame core and in Fig. 8c for the sandwich plate with the corrugated cores. The sectioned profiles show that significant plastic deformation occurs in the vicinity of the foam impact site and that the plates are continuously curved. It is deduced that the dynamic deformation of plates involves the formation of travelling hinges, similar to the observed behaviour of monolithic and sandwich beams and plates reported by numerous investigators, for example Radford et al. (2006b); McShane et al. (2006) and Rubino et al. (2008b). For both types of sandwich plate, the core has sheared and compressed.

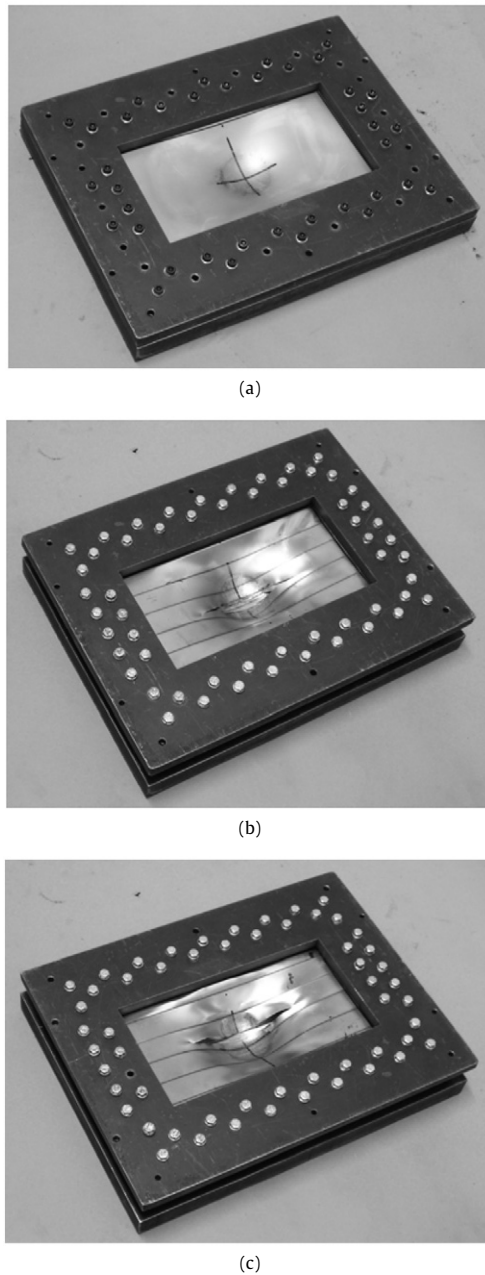


Fig. 7. Photographs showing a view of the front face of the as-tested (a) monolithic (b) Y-frame and (c) corrugated core plates. $I_0 \approx 5 \text{ kN s m}^{-2}$.

3.2. Comparison of the performance of rectangular sandwich plates and beams

Rubino et al. (2008b) investigated the response of clamped Y-frame and corrugated core sandwich beams impacted by metal foam projectiles. Beams with both transverse and longitudinal core orientations were investigated in that study and constituent materials used to manufacture the sandwich beams, the core and face sheet thicknesses and core relative density were identical to those employed in the present investigation. Moreover, the spans of the beams in Rubino et al. (2008b) were 250 mm, that is equal to the length of the longer side of the rectangular plates studied here. Given these similarities between the two studies it is instructive to compare the responses of the Y-frame and corrugated core sandwich beams and plates. In qualitative terms, the deformed shape on the $X_1 = 0$ plane of the plate specimens (Fig. 8a) is in good

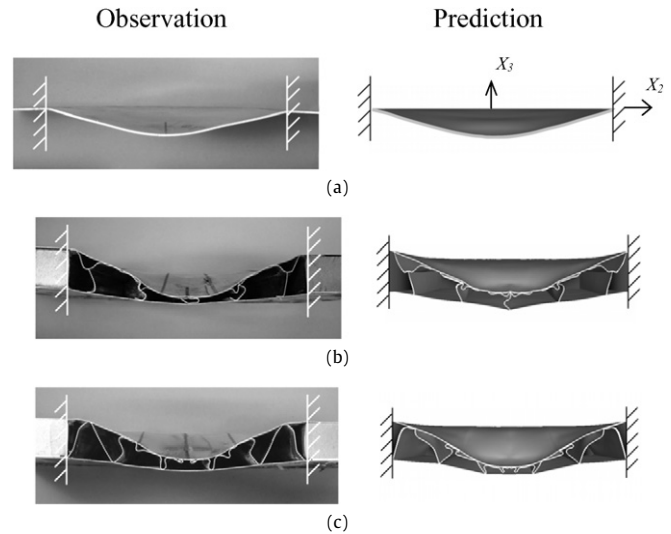


Fig. 8. Photographed sections of the mid-plane $X_1 = 0$ of the as-tested (a) monolithic (b) Y-frame and (c) corrugated core plates. $I_0 \approx 3 \text{ kN s m}^{-2}$.

agreement with that observed by Rubino et al. (2008b) for corrugated and Y-frame sandwich beams in the transverse configuration.

The permanent back face deflections w_b at mid-spans of the Y-frame and corrugated core sandwich beams and plates are compared in Figs. 9a and 9b, respectively. Recall that the sandwich plates have the longitudinal axis of the prismatic cores along the X_1 axis while the transverse core direction is aligned along the X_2 axis. However, the measured sandwich plate deflections are not intermediate to the sandwich beams with transverse and longitudinal core arrangements. Rather, the sandwich plates outperform the sandwich beams (in terms of w_b) with the longitudinal core orientation over the entire range of projectile velocities investigated here. This is presumably due to the enhanced stretch resistance of the face sheets in the clamped plate configuration. However, the enhanced stretching of the face-sheets results in tearing of the front face sheet at lower values of I_0 compared to the sandwich beams with the longitudinal core orientation as indicated in Fig. 9. Moreover, perforation of the sandwich plates occurs at $I_0 = 5.4 \text{ kN s m}^{-2}$ which is about 15% lower than that for sandwich beams with a longitudinal core orientation.

It is instructive to make a direct comparison of the deflections of the sandwich beams and plates with their monolithic counterparts. To address this, the ratio of measured permanent back face deflection at the centre of the sandwich plates to that of monolithic plates (of same mass) $w_{\text{sandwich}}/w_{\text{monolithic}}$ is plotted as a function of projectile momentum I_0 in Fig. 10. The data for sandwich and monolithic beams from Rubino et al. (2008b) are included in the figure. There is only a minor effect of core topology upon the mid-span deflection for the beams and plates. However, the sandwich plates and the beams with a longitudinal core orientation outperform the monolithic plates particularly at low impulse levels; in contrast, the sandwich beams with the transverse core orientation show negligible benefit over monolithic beams of equal mass.

4. Finite element simulations

Finite element (FE) predictions for the monolithic and sandwich plates are presented in this section. All computations were performed using the explicit time integration version of the com-

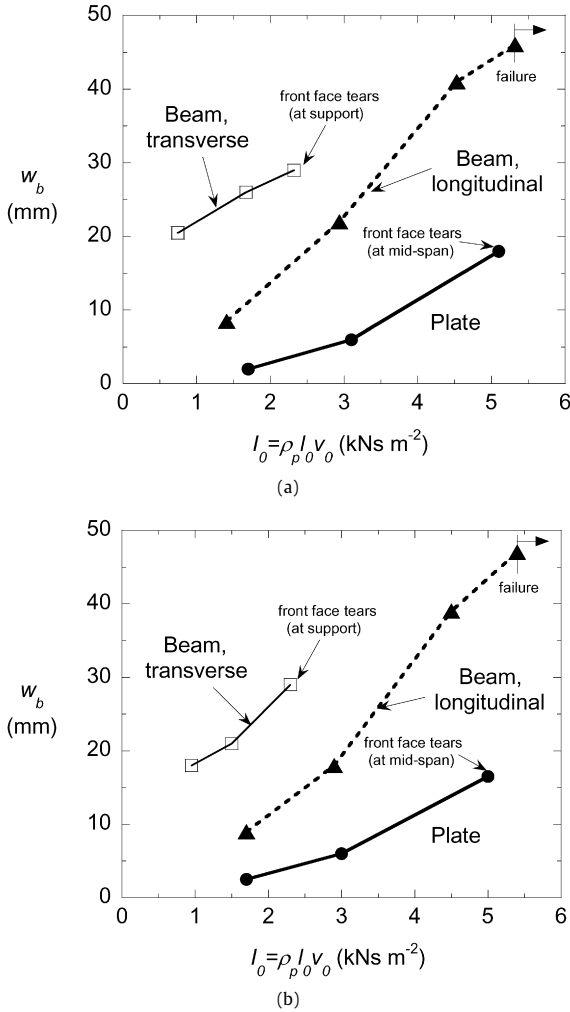


Fig. 9. Comparison of the measured permanent deflections w_b at the centre of the back face of the (a) Y-frame and (b) corrugated core sandwich plates and beams, as a function of the foam projectile momentum I_0 . The data are shown up to I_0 values at which face sheet failure is first observed. The sandwich beam data are from Rubino et al. (2008b) and are for the cases when the prismatic axis and transverse axis of the core are along the length of the beam; these orientations are labelled longitudinal and transverse, respectively.

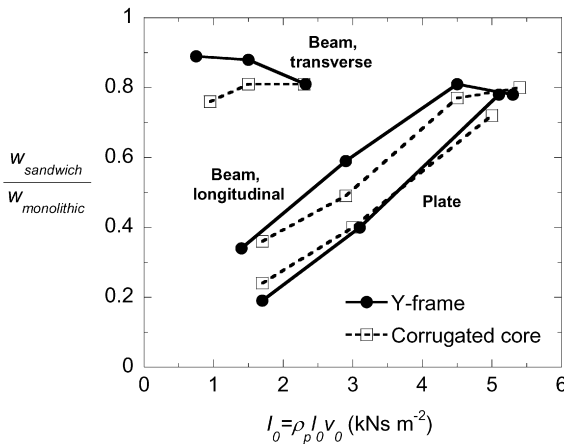


Fig. 10. The ratio of measured back deflections of the sandwich plates to monolithic plate versus projectile momentum I_0 . The data are shown up to I_0 values at which face sheet failure is first observed. The sandwich beam data are from Rubino et al. (2008b), with the prismatic and transverse axes of the core along the length of the beam; these two cases are labelled longitudinal and transverse, respectively.

mercially available finite element code ABAQUS³ (version 6.5). We first briefly describe the details of these FE calculations.

Three-dimensional simulations of half models of the rectangular sandwich and monolithic plates were performed. Linear hexahedral elements (C3D8R in ABAQUS notation) were used to model the cylindrical foam projectiles of diameter $d = 50.8$ mm and length $l_0 = 51$ mm, with the elements swept about the cylindrical axis of the foam projectile. The projectiles had 51 elements in the axial direction and 25 elements along the radius. The sandwich and monolithic plates were modelled using four-noded shell elements (S4R in ABAQUS notation) for both the face-sheets and the core. Perfect bonding between the core and face sheets was assumed. All dimensions (face sheet thickness and core dimensions) were chosen to match the experimental values and an element size of 1.0 mm was employed for all calculations reported subsequently.

Symmetry boundary conditions were specified at mid-span ($X_1 = 0$) and clamped boundary conditions were applied at $X_1 = L$ and at $X_2 = \pm b/2$ by constraining all rotations and displacements to zero; see Fig. 2a. The loading was simulated by impact of a metal foam projectile: at the start of the simulation the projectile with an initial velocity v_0 was brought into contact with the front face sheet at the centre of the rectangular plates. The “general contact” option in ABAQUS was employed to simulate contact between all adjacent surfaces. The general contact algorithm in ABAQUS enforced hard, no-friction contact interaction using a penalty algorithm.

4.1. Material properties

The AISI 304 stainless steel was treated as a J2-flow theory rate dependent solid of density $\rho_f = 7900$ kgm⁻³, Young’s modulus $E = 210$ GPa and Poisson ratio $\nu = 0.3$. The uniaxial tensile true stress versus equivalent plastic strain curves at plastic strain-rates $10^{-3} \text{ s}^{-1} \leq \dot{\epsilon}^p \leq 10^4 \text{ s}^{-1}$ were tabulated in ABAQUS using the prescription described in Section 2.2 and employing the data of Fig. 5a. Over the range of impact velocities considered here, adiabatic heating effects are negligible and hence not included in the FE analysis.

The metal foam projectile was modelled as a compressible continuum using the constitutive model of Deshpande and Fleck (2000). An isotropic yield surface is defined by:

$$\hat{\sigma} - Y = 0, \tag{2}$$

where Y is the current yield strength. The equivalent stress $\hat{\sigma}$ has the following form:

$$\hat{\sigma}^2 \equiv \frac{1}{1 + (\alpha/3)^2} [\sigma_e^2 + \alpha^2 \sigma_m^2], \tag{3}$$

where the parameter α defines the shape of the yield surface, $\sigma_m \equiv \sigma_{kk}/3$ is the mean stress and $\sigma_e \equiv \sqrt{3s_{ij}s_{ij}/2}$ is the von Mises effective stress in terms of the deviatoric stress s_{ij} . The yield strength Y is assumed to be given by an over-stress type relation

$$Y = \mu \hat{\epsilon}^p + \sigma_c, \tag{4}$$

where μ is the foam viscosity, $\hat{\epsilon}^p$ is the work conjugate plastic strain rate to $\hat{\sigma}$ and $\sigma_c(\hat{\epsilon}^p)$ is the uniaxial stress versus plastic strain relation at a negligible strain rate. In the simulations, the Alporas foam is ascribed a density of $\rho_p = 313$ kgm⁻³, Young’s modulus $E_c = 1.0$ GPa, an elastic Poisson’s ratio $\nu = 0.3$. Consistent with observations reported by Deshpande and Fleck (2000) we assumed $\alpha = 3/\sqrt{2}$ which implies that the “plastic Poisson’s ratio” $\nu_p = 0$. The yield strength σ_c versus equivalent plastic strain $\hat{\epsilon}^p$

³ Hibbit, Karlsson and Sorensen Inc.

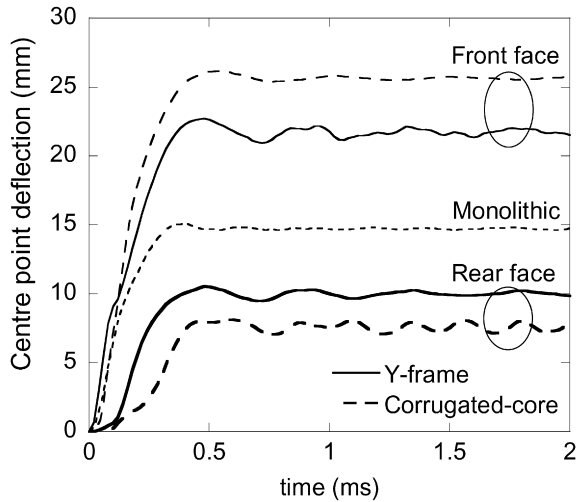


Fig. 11. Finite element prediction of the temporal variation of the deflection of the centre of the monolithic and sandwich plates loaded with a metal projectile momentum of $I_0 = 3.2 \text{ kN s m}^{-2}$.

history is calibrated using the compressive stress versus strain response presented in Fig. 5b. The assumed over-stress model smears the plastic shock wave in the foam projectile over a width (Radford et al., 2005):

$$w = \frac{\mu \varepsilon_D}{\rho_p \Delta v}, \quad (5)$$

where ε_D is the nominal densification strain and Δv is the velocity jump across the shock. For the purposes of this discussion, Δv is approximately equal to the projectile velocity v_0 . The values of the viscosity μ were chosen so that $w = l_0/10 \approx 5 \text{ mm}$, which is approximately equal to that observed in the experiments of Radford et al. (2005). Large gradients in stress and strain occur over the shock width and thus the foam projectile was discretized by a mesh size of 1 mm in order to resolve these gradients accurately.

Typically, in these experiments, the foam projectile fracture after full densification. However, this fracture does not significantly affect the response of the plates as the foams fracture after they have transferred most of their momentum to the plates. We thus neglect foam fracture in the FE calculations.

4.2. Comparison of finite element predictions and measurements

Representative FE calculations of the transient deflection of the centre point of the sandwich and monolithic plates are plotted in Fig. 11 for $I_0 = 3.2 \text{ kN s m}^{-2}$. The deflections of both the front and back face sheets of the sandwich plates are displayed. In all cases only small elastic vibrations occur after the maximum deflections have been attained, so that the peak deflection is close to the permanent deflection.

The predicted permanent deflections w_b of the back face sheets of the sandwich plates and of the monolithic plates are included in Fig. 6a along with the corresponding measured values. The permanent deflections in the FE calculations are estimated by averaging the displacements over several cycles of elastic vibration (from trough to peak) immediately after the initial peak displacement. We conclude that at least for the lower values of I_0 where no tearing of the plates was observed, the FE simulations are able to predict the plate deflections with reasonable accuracy. Some of the discrepancies may be accounted for as follows:

- (i) At the high values of I_0 the observed deflections of the monolithic plates are greater than the predictions as the plates start to pull out of the supports, see Fig. 7a.
- (ii) The FE calculations overestimate w_b for the Y-frame plates at intermediate values of I_0 . We shall see subsequently that this is primarily due to the fact that the FE calculations underestimate the degree of core compression in the Y-frame plates.

The FE predictions for the final core compression ε_c at the plate centre are compared with measurements in Fig. 6b as a function of the applied momentum I_0 . Good agreement between the measurements and predictions is achieved for the corrugated core, however the FE calculations under-predict the core compression in the Y-frame sandwich plates. The critical difference between the predictions and observations is that the FE calculations predict that the core compression remains constant at $\varepsilon_c \approx 0.4$ for $I_0 \leq 3 \text{ kN s m}^{-2}$ while in the experiments core compression increases with increasing I_0 over the entire range of projectile velocities investigated here. We attribute this discrepancy to the fact that tearing between the Y-frame leg and the back face sheet was observed in all specimens but was not modelled in the FE calculations. It is also worth noting that the slight kink in the FE predictions of the deflections of the back face of the Y-frame plates (Fig. 6a) corresponds to the I_0 range over which the FE calculations predict that the core compression remains constant.

Comparisons between the measured and predicted permanent deformation of the plates impacted at $I_0 \approx 3 \text{ kN s m}^{-2}$ are included in Fig. 8. In both the experiments and the FE calculations the plates are sectioned along their mid-span $X_1 = 0$ to reveal the core deformation in the sandwich plates. In general good agreement is obtained although there are some discrepancies especially for the Y-frame sandwich plate as discussed above.

It is worth emphasising here that all tests and simulations in this study were carried out on approximately 1/20 scale specimens made from 304 stainless steel. Finite element calculations of Tilbrook et al. (2007) suggest that at-least the dynamic compressive response of these laboratory scale Y-frame and corrugated core specimens is representative of the full-scale structures. Additional finite element calculations and larger scale experiments are required to understand whether this finding extends to scaled-down clamped plates as well.

4.3. Estimation of the onset of front face tearing

The final plastic strain distribution within the Y-frame and corrugated core sandwich plates was explored in the FE simulations for the choice $I_0 = 5.1 \text{ kN s m}^{-2}$. This impulse level was chosen as it gave front face tearing of both sandwich plates, but not complete perforation. The location and direction of the maximum principal strains in the sandwich plates are shown in Figs. 12a and 12b for the Y-frame and corrugated core plates, respectively. For the Y-frame plate, the highest predicted strain occurs close to the joint between the Y-frame web and the front face sheet while for the corrugated core high values of final plastic strain occur both in the front face sheet and within the core itself. The plastic strain predictions of the FE calculations are generally consistent with the observation that failure always initiates in the front face sheet.

The FE predictions of the maximum principal plastic strains ε_{\max} in the face sheets of the Y-frame and corrugated core plates are compared with those in the corresponding sandwich beams (longitudinal core orientation) in Fig. 13a over a range of values of I_0 . The FE predictions for the beams are obtained from the parallel study by Rubino et al. (2008b). The FE calculations predict significantly higher values of ε_{\max} in the plates than in the beams, especially for $I_0 \geq 4 \text{ kN s m}^{-2}$; this is consistent with the observation that the plates fail at lower values of I_0 than the sandwich

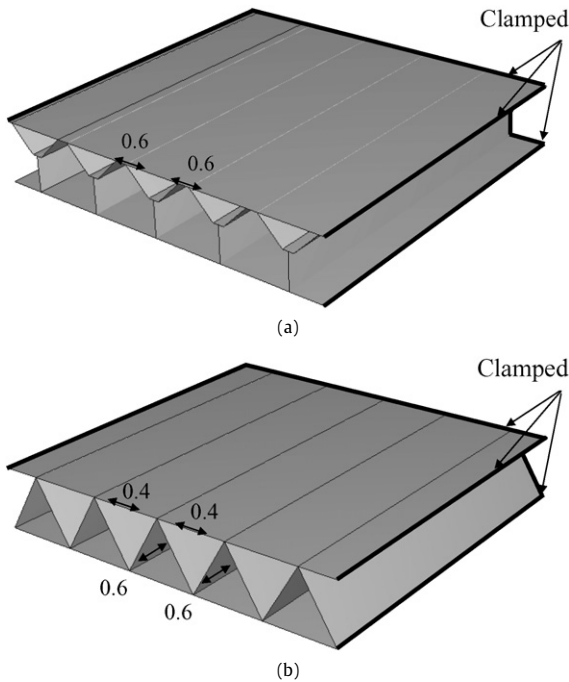


Fig. 12. Sketch representing the FE predictions for the location and direction of the maximum principal strain in the (a) Y-frame and (b) corrugated core sandwich plates. The beams were impacted by the foam projectile of $I_0 = 5.1 \text{ kNs m}^{-2}$.

beams of longitudinal core orientation. Comparisons between the predicted values of ε_{\max} for the sandwich and monolithic plates are included Fig. 13b. Recall that failure of the front face sheet was observed at lower values of I_0 in the Y-frame plate than the corrugated core plate. Also, no failure of the monolithic plate was observed even at the highest value of I_0 investigated here. Consistent with these observations, the FE calculations predict the lowest values of ε_{\max} in the monolithic plates followed by the corrugated core plates, and the largest strains occur in the Y-frame plates.

5. Concluding remarks

Metal foam projectiles have been used to impact clamped 304 stainless steel monolithic plates and sandwich plates with Y-frame or corrugated cores. The permanent deflections and level of core compression of the sandwich plates have been measured as a function of projectile momentum, and the measured responses are compared with finite element simulations. The finite element (FE) simulations capture the observed deformation modes to reasonable accuracy. Failure of the joints between the core and the face sheets is not included in the FE predictions, and this leads to some discrepancies especially for the Y-frame plates.

The sandwich plates outperform monolithic plates of equal mass at low values of the projectile momentum I_0 . Moreover, comparisons with the corresponding Y-frame and corrugated core sandwich beams revealed that the plates deflect less than the beams. However, the benefits of sandwich construction reduce with increasing I_0 : (i) the ratio of the permanent deflections of the sandwich plates to monolithic plates increases with increasing I_0 and approaches unity for $I_0 \approx 6 \text{ kNs m}^{-2}$; (ii) stress concentrations at the attachment points between the core and the face sheets result in failure of the sandwich plates at lower values of I_0 than for the monolithic plates. We conclude that sandwich construction has potential for significantly enhancing the dynamic performance of structures. However, sandwich construction must be used with caution in heavily loaded structures: the sandwich plates may fail at lower values of I_0 than for monolithic plates of equal areal mass.

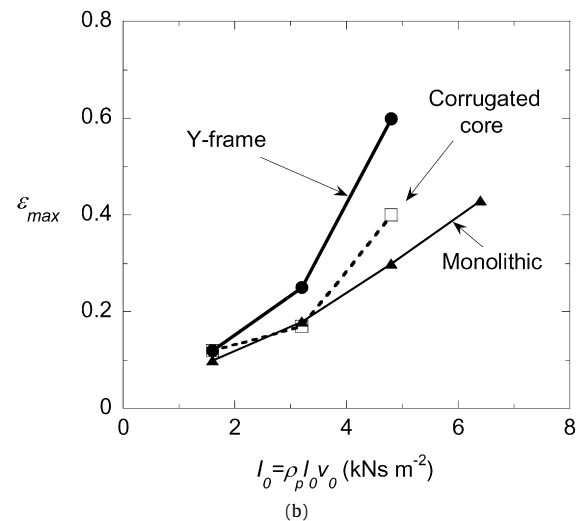
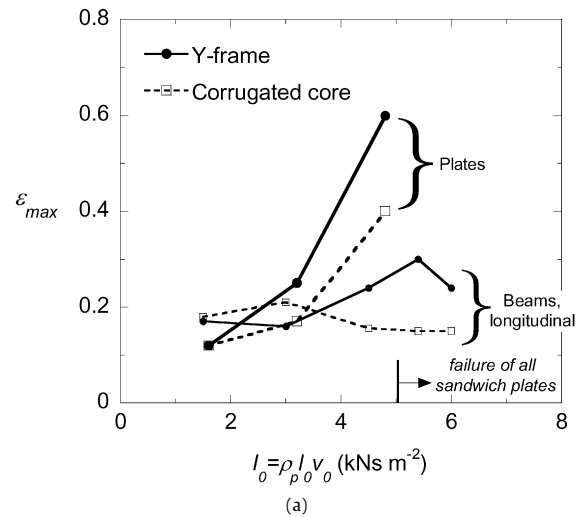


Fig. 13. FE predictions of the maximum principal plastic strain in the front face sheet of the dynamically loaded sandwich plates. (a) Comparison of the Y-frame and corrugated core sandwich beams (longitudinal core orientation) and plates. (b) Comparison between the sandwich plates and monolithic plates. The FE predictions for the sandwich beams are taken from Rubino et al. (2008b).

Acknowledgements

This work was supported by the Netherlands Institute for Metal Research: project number MC1.03163, *The Optimal Design of Y-core sandwich structures*.

References

- Balden, V.H., Nurick, G.N., 2005. Numerical simulation of the post-failure motion of steel plates subjected to blast loading. *International Journal of Impact Engineering* 32, 14–34.
- Côté, F., Deshpande, V.S., Fleck, N.A., Evans, A.G., 2006. The compressive and shear responses of corrugated and diamond lattice materials. *International Journal of Solids and Structures* 43, 6220–6242.
- Deshpande, V.S., Fleck, N.A., 2000. Isotropic constitutive models for metallic foams. *Journal of Mechanics and Physics of Solids* 48, 1253–1283.
- Jones, N., 1971. A theoretical study of the dynamic plastic behaviour of beams and plates with finite deflections. *International Journal of Solids and Structures* 7, 1007–1018.
- Jones, N., 1989. *Structural Impact*. Cambridge University Press, Cambridge, UK.
- Konter, A., Broekhuijsen, J., Vredeveldt, A., 2004. A quantitative assessment of the factors contributing to the accuracy of ship collision predictions with the finite element method. In: *International Conference of Ship Collisions and Grounding*, Tokyo, Japan.

- Lee, Y.-W., Wierzbicki, T., 2005a. Fracture prediction of thin plates under localised impulsive loading. Part I: dishing. *International Journal of Impact Engineering* 31, 1253–1276.
- Lee, Y.-W., Wierzbicki, T., 2005b. Fracture prediction of thin plates under localised impulsive loading. Part II: dicing and petalling. *International Journal of Impact Engineering* 31, 1277–1308.
- Ludolph, H., 2001. The unsinkable ship – development of the Y-shape support web. In: *Proceedings of the 2nd International Conference on Collision and Grounding of Ships*, Copenhagen, Denmark.
- McShane, G.J., Radford, D.D., Deshpande, V.S., Fleck, N.A., 2006. The response of clamped sandwich plates with lattice cores subjected to shock loading. *European Journal of Mechanics* 25, 215–229.
- Menkes, S.B., Opat, H.J., 1973. Tearing and shear failure in explosively loaded clamped beams. *Experimental Mechanics* 13, 480–486.
- Naar, H., Kujala, P., Simonsen, B.C., Ludolph, H., 2002. Comparison of the crashworthiness of various bottom and side structures. *Marine Structures* 15, 443–460.
- Nurick, G.N., Shave, G.C., 2000. The deformation and tearing of thin square plates subjected to impulsive loads – an experimental study. *International Journal of Mechanical Sciences* 18, 99–116.
- Paik, J.K., 2003. Innovative structural designs of tankers against ship collisions and grounding: a recent state-of-the-art review. *Marine Technology* 40, 25–33.
- Pedersen, C.B.W., Deshpande, V.S., Fleck, N.A., 2006. Compressive response of the Y-shaped sandwich core. *European Journal of Mechanics A/Solids* 25, 125–141.
- Radford, D.D., Fleck, N.A., Deshpande, V.S., 2005. The use of metal foam projectiles to simulate shock loading on a structure. *International Journal of Impact Engineering* 31, 1152–1171.
- Radford, D.D., Fleck, N.A., Deshpande, V.S., 2006a. The response of clamped sandwich beams subjected to shock loading. *International Journal of Impact Engineering* 32, 968–987.
- Radford, D.D., McShane, G.J., Deshpande, V.S., Fleck, N.A., 2006b. The response of clamped sandwich plates with metallic foam cores to simulated blast loading. *International Journal of Solids and Structures* 43, 2243–2259.
- Rathbun, H.J., Radford, D.D., Xue, Z., He, M.Y., Yang, J., Deshpande, V.S., Fleck, N.A., Hutchinson, J.W., Zok, F.W., Evans, A.G., 2006. Performance of metallic honeycomb-core sandwich beams under shock loading. *International Journal of Solids and Structures* 43, 1746–1763.
- Rubino, V., Deshpande, V.S., Fleck, N.A., 2008a. The collapse response of sandwich beams with a Y-frame core subjected to distributed and local loading. *International Journal of Mechanical Sciences* 50 (2), 233–246.
- Rubino, V., Deshpande, V.S., Fleck, N.A., 2008b. The dynamic response of end-clamped sandwich beams with a Y-frame or corrugated core. *International Journal of Impact Engineering* 35 (8), 829–844.
- Stout, M.G., Follansbee, P.S., 1986. Strain-rate sensitivity, strain hardening, and yield behaviour of 304L stainless steel. *Trans. ASME: Journal of Engineering Materials Technology* 108, 344–353.
- Symmonds P.S., 1954. Large plastic deformation of beams under blast type loading. *Second US National Congress of Applied Mechanics*.
- Tilbrook, M.T., Radford, D.D., Deshpande, V.S., Fleck, N.A., 2007. Dynamic crushing of sandwich panels with prismatic lattice cores. *International Journal of Solids and Structures* 44, 6101–6123.
- Wang, A.J., Hopkins, H.G., 1954. On the plastic deformation of built-in circular plates under impulsive load. *Journal of the Mechanics and Physics of Solids* 3, 22–37.
- Wevers, L.J., Vredeveltdt, A.W., 1999. Full Scale Ship Collision Experiments 1998, TNO-report 98-CMC-R1725, The Netherlands.