

California State University, San Bernardino

CSUSB ScholarWorks

Theses Digitization Project

John M. Pfau Library

2004

The Riemann zeta function

Ernesto Oscar Reyes

Follow this and additional works at: <https://scholarworks.lib.csusb.edu/etd-project>



Part of the [Mathematics Commons](#)

Recommended Citation

Reyes, Ernesto Oscar, "The Riemann zeta function" (2004). *Theses Digitization Project*. 2648.
<https://scholarworks.lib.csusb.edu/etd-project/2648>

This Thesis is brought to you for free and open access by the John M. Pfau Library at CSUSB ScholarWorks. It has been accepted for inclusion in Theses Digitization Project by an authorized administrator of CSUSB ScholarWorks. For more information, please contact scholarworks@csusb.edu.

THE RIEMANN ZETA FUNCTION

A Thesis
Presented to the
Faculty of
California State University,
San Bernardino

In Partial Fulfillment
of the Requirements for the Degree
Master of Arts
in
Mathematics

by
Ernesto Oscar Reyes
September 2004

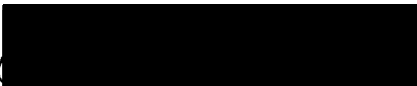
THE RIEMANN ZETA FUNCTION

A Thesis
Presented to the
Faculty of
California State University,
San Bernardino


by
Ernesto Oscar Reyes


September 2004


Approved by:



Charles Stanton, Committee Chair,

8/27/04
Date


Zahid Hasan, Committee Member


Belisario Ventura, Committee Member


Peter Williams, Chair
Department of Mathematics


Charles Stanton,
Graduate Coordinator
Department of
Mathematics

ABSTRACT

The Riemann zeta function has a deep connection with the distribution of primes. This expository thesis will explain the techniques used in proving the properties of the Riemann zeta function, its analytic continuation to the complex plane, and the functional equation that the Riemann zeta function satisfies. Furthermore, we will describe the connection between the Riemann zeta function and the Prime Number theorem, and state the most famous unsolved mathematical problem, the Riemann Hypothesis. One of the most important generalizations of the Riemann zeta function are Dirichlet's L-functions. Also, we will explain the techniques used in proving the properties of Dirichlet's L-functions and the functional equation that Dirichlet's L-functions satisfy.

ACKNOWLEDGMENTS

The completion of this thesis would have not been possible without the knowledge, assistance, and leadership of Dr. Stanton, who patiently guided me throughout this project with his expertise on complex analysis. I also acknowledge my committee members, Dr. Hasan and Dr. Ventura for taking the time from their busy schedule to revise this thesis.

I am grateful for my family, Erasmo, Catalina, Gerardo and Elvia for their encouragement and financial support during my academic years. I am thankful to all my friends from school and church for their continuous support and prayers. Above all, I thank God immensely for providing me with this opportunity and for everything else that is yet to come.

TABLE OF CONTENTS

ABSTRACT	iii
ACKNOWLEDGMENTS	iv
LIST OF TABLES	vii
CHAPTER ONE: INTRODUCTION	1
CHAPTER TWO: HISTORICAL BACKGROUND OF THE ZETA FUNCTION	
Introduction	3
Properties of the Riemann Zeta Function	3
Analytic Continuation	8
The Functional Equation of the Zeta Function	13
CHAPTER THREE: THE PRODUCT FORMULA FOR $\zeta(s)$	
Introduction	17
Estimate of $\zeta(s)$	18
Convergence of $\zeta(s)$	20
Validity of the Product Formula $\zeta(s)$	22
CHAPTER FOUR: THE PRIME NUMBER THEOREM	
Introduction	27
The Riemann Zeta Function Has No Zeros on the Line $\operatorname{Re}(s) = 1$	30
Proof that $\psi(x) \sim x$	32
The Prime Number Theorem	35

CHAPTER FIVE: DIRICHLET L-FUNCTIONS

Introduction	37
Dirichlet's Character	38
Dirichlet L-Functions	43
Functional Equation of $L(s, \chi)$	45
REFERENCES	53

LIST OF TABLES

Table 1.	Approximation of $\pi(x)$ to $x/\log x$	28
Table 2.	Approximation of $\pi(x)$ to $\text{li}(x)$	29

CHAPTER ONE

INTRODUCTION

In the study of the distribution of the prime numbers, Bernhard Riemann, in 1859, wrote an eight-page paper entitled, "On the Number of Primes Less Than a Given Magnitude" that impacted the mathematical world. In his paper, Riemann stated several unproved conjectures that were settled by Hadamard, de la Vallee Poussin, and von Mangoldt more than 50 years later. However, one of the conjectures in Riemann's paper still remains without a proof. This conjecture is now known as the famous Riemann Hypothesis, and it was listed as one of the millennium most important unsolved mathematical problems for the 21st century.

In his eight-page paper, Riemann introduced the zeta function, $\zeta(s), s \in \mathbb{C}$ and over the years, the study of the $\zeta(s)$ function has contributed immensely to mathematics. Moreover, the essence of many theorems depends on the understanding of the Riemann Zeta function. The objective of this thesis is to provide a survey on the proven properties of the $\zeta(s)$ function, its particular application to the Prime Number Theorem, and the functional equations

that Dirichlet's L-functions satisfy.

In chapter 2, I will briefly go through the historical background of the Riemann Zeta function. A detailed proof will be provided for the analytic continuation of the $\zeta(s)$ function, and its functional equation. Chapter 3 will provide important facts of the product formula for the related $\xi(s)$ function. Chapter 4 will explain the application of $\zeta(s)$ function in proving the Prime Number theorem. Finally, in chapter 5, we will generalize the Riemann Zeta function to Dirichlet's L-functions and outline the proof for the functional equation that Dirichlet's L-functions satisfy.

The three major source of information used in this thesis are the following references: Edwards[6], Davenport[2], and E.C.[4]. See references for detail on these sources.

CHAPTER TWO

HISTORICAL BACKGROUND OF THE RIEMANN ZETA FUNCTION

Introduction

The study of prime numbers dates back as far as Euclid's time (300 B.C.). Moreover, Euler also provided important results about prime numbers (1737). In fact, Euler proved a famous identity,

$$\sum_{n=1}^{\infty} \frac{1}{n^s} = \prod_p \frac{1}{1-p^{-s}} \quad \text{for a fixed } s > 1. \quad (2.1)$$

This identity became an important tool and a starting point in Riemann's paper. During 1792, independent works from the great Gauss and Legendre contributed major results in regard to the asymptotic density of the prime numbers which led to the statement $\pi(x) \sim x/\log x$, $x \rightarrow \infty$, where $\pi(x)$ counts the number of primes less than given x . This statement became known as the Prime Number Theorem (PNT). However, the PNT remained unproved for almost fifty years, from 1850 to 1894.

Properties of the Riemann Zeta Function

As was mentioned above, Riemann's ingenious idea was

to treat Euler's identity (2.1) as function of complex variable s . So, $\zeta(s)$, $s \in \mathbb{C}$ was adopted as the Riemann Zeta function and it became the key point in the study of the distribution of prime numbers. In fact, Riemann defined the zeta function, $\zeta(s)$, with the following formula

$$\zeta(s) = \frac{\Pi(-s)}{2\pi i} \int_{+\infty}^{+\infty} \frac{(-x)^s}{e^x - 1} \cdot \frac{dx}{x}, \quad s \in \mathbb{C}, \quad (2.2)$$

and showed that this formula is analytic throughout the whole complex s -plane except for a simple pole at $s=1$.

(Note: $\Pi(s)$ is the factorial function notation used in Edward[6], $\Gamma(s) = \Pi(s-1)$ and it is used throughout this thesis). We will explain this formula (2.2) in the following section. Moreover, another fascinating result was that the zeta function, $\zeta(s)$ satisfies the functional equation,

$$\zeta(s) = \Pi(-s)(2\pi)^{s-1} 2 \sin(s\pi/2) \zeta(1-s). \quad (2.3)$$

This result follows from (2.2) and it is used to calculate the trivial zeros of the $\zeta(s)$ function. An important result that Riemann found was

$$\Pi\left(\frac{s}{2} - 1\right) \pi^{-s/2} \zeta(s) = \Pi\left(\frac{1-s}{2} - 1\right) \pi^{-(1-s)/2} \zeta(1-s), \quad (2.4)$$

which is another functional equation that remains unaltered

with the substitution of $s=1-s$. Its full proof will be provided in the last section of this chapter. The zeros of the zeta function $\zeta(s)$, for $\text{Re}(s) < 0$ are known as the trivial zeros and they are precisely at the poles of $\Pi(\frac{s}{2}-1)$ i.e., $s = -2, -4, -6, \dots$ Riemann went on to state that the non-trivial zeros of the zeta function, $\zeta(s)$ lie in the critical strip $0 < \sigma < 1$. In fact, he conjectured that the $\zeta(s)$ has infinitely many zeros in $0 < \sigma < 1$ that are symmetrical with respect to the real axis and to the critical line $\sigma = \frac{1}{2}$, which is now known as the famous Riemann Hypothesis. Furthermore, Riemann also stated that the number of zeros $\rho = \frac{1}{2} + it$ where $0 < t \leq T$ is approximately

$$\frac{T}{2\pi} \log \frac{T}{2\pi} - \frac{T}{2\pi} + O(\log T). \quad (2.5)$$

Von Mangoldt gave a complete proof of this statement in 1905. Riemann went a step further and defined an integral function as follows:

$$\xi(s) = \Pi(\frac{s}{2})(s-1)\pi^{-s/2}\zeta(s). \quad (2.6)$$

This is an analytic function of s , is defined for all values of s , and it has the product representation

$$\xi(s) = \xi(0) \prod_{\rho} \left(1 - \frac{s}{\rho}\right), \text{ where } \xi(0) = \frac{1}{2}. \quad (2.7)$$

This product formula was proved by Hadamard in 1893 and became a very important tool for the proof of the Prime Number Theorem as we will see in chapter 4.

In Riemann's paper, he gave a difficult explicit formula for $\pi(x) \sim \text{li}(x)$ for $x > 1$, namely,

$$J(x) = \text{li}(x) - \sum_{\rho} \text{li}(x^{\rho}) - \log 2 + \sum_{\rho} \text{li}(x^{\rho}) - \log 2 + \int_x^{\infty} \frac{dt}{t(t^2 - 1)\log t}, \quad (x > 1). \quad (2.8)$$

Here $\text{li}(x) = \int_2^x \frac{dt}{\log t}$ is known as logarithmic integral. There are

various important components that Riemann used to derive the above formula. For $\text{Re}(s) > 1$, he showed that we can

rewrite $\log \zeta(s) = \sum_p \sum_{n=2}^{\infty} \frac{1}{n} p^{-ns}$ as

$$\log \zeta(s) = s \int_0^{\infty} J(x) \frac{1}{x^{s+1}} dx, \quad \text{Re}(s) > 1. \quad (2.9)$$

$J(x)$ is a step function that jumps 1 when it encounters

a prime p , $\frac{1}{2}$ for p^2 , $\frac{1}{3}$ for p^3 and so on. He then obtained

$$J(x) = \frac{1}{2\pi i} \int_{a-i\infty}^{a+i\infty} \log \zeta(s) x^s \frac{ds}{s}, \quad (a > 1) \text{ by applying the Fourier}$$

inversion formula to (2.9). From both formulas, (2.6) and

$$(2.7) \text{ for } \xi(s), \text{ we get } \Pi\left(\frac{s}{2}\right)(s-1)\pi^{-s/2}\zeta(s) = \frac{1}{2} \prod_{\rho} \left(1 - \frac{s}{\rho}\right). \text{ So, } \log \zeta(s)$$

is expressed in terms of the non-trivial roots, ρ of the zeta function and other logarithmic terms. However, von Mangoldt provided a much simpler formula that has replaced Riemann's original formula, namely,

$$\psi(x) = x - \sum_{\rho} \frac{x^{\rho}}{\rho} + \sum_n \frac{x^{-2n}}{2n} - \frac{\zeta'(0)}{\zeta(0)} \quad (x > 1), \quad (2.10)$$

where $\sum_{\rho} \frac{x^{\rho}}{\rho}$ consists of a sum over the non-trivial roots ρ

of the zeta function, $\zeta(s)$. (2.8) was derived by using

$$\log \zeta(s) = s \int_0^{\infty} J(x) \frac{1}{x^{s+1}} dx, \text{ however, (2.10) is derived from the}$$

$$\frac{\zeta'(s)}{\zeta(s)} = - \int_0^{\infty} \frac{1}{x^s} \log(x) J(x) dx = \int_0^{\infty} \frac{1}{x^s} \psi(x) dx. \text{ Here, } \psi(x) = \sum_{p^n < x} \log p \text{ is}$$

also a step function, but $\psi(x)$ behaves better than $J(x)$

because $\frac{\zeta'(s)}{\zeta(s)}$ is analytic everywhere, except at $s=1$, the

roots ρ , and the zeros of $\Pi\left(\frac{s}{2}\right)$.

In 1914, Hardy succeeded in proving the existence of infinitely many zeros on the critical line. However, no one has been able to prove that all of non-trivial zeros are on the critical line.

Analytic Continuation

The goal of this section is to show the analytic continuation of the Riemann zeta function using Riemann's original techniques (See E.C.[4] and Edwards[6]). The zeta

function is defined by $\zeta(s) = \sum_{n=1}^{\infty} \frac{1}{n^s}$, and it converges for

$\text{Re}(s) = \sigma > 1$, and converges uniformly for $\sigma \geq 1 + \varepsilon$, where $\varepsilon > 0$.

Remark: Let $s = \sigma + ti$, so $\text{Re}(s) = \sigma$. We will sometimes use $\text{Re}(s)$ instead of σ for convenience.

Proof: The proof is not difficult to show. Let m and n be positive integers, $m < k$ for $\sigma \geq 1 + \varepsilon$, we get

$$\begin{aligned} \left| \sum_{n=m+1}^k \frac{1}{n^s} \right| &\leq \sum_{n=m+1}^k \frac{1}{n^\sigma} \leq \int_m^k \frac{1}{x^\sigma} dx = \frac{x^{1-\sigma}}{(1-\sigma)} \Big|_m^k \\ &\leq \frac{m^{1-\sigma}}{(\sigma-1)} < \frac{m^{-\varepsilon}}{\varepsilon}. \end{aligned}$$

Note that the last term can be as small as we desire for a fixed $\varepsilon > 0$ and large enough m . \square

Once the convergence has been proved, we can prove the identity,

$$\sum_{n=1}^{\infty} \frac{1}{n^s} = \prod_p \frac{1}{1-p^{-s}}, \quad (2.11)$$

for $s \in \mathbb{C}$, $\text{Re}(s) > 1$, where p runs through all primes.

Proof:

Note that $\frac{1}{1-p^{-s}} = 1 + p^{-s} + p^{-2s} + p^{-3s} + p^{-4s} + p^{-5s} \dots = \sum_{n=0}^{\infty} \frac{1}{p^{-ns}}$.

So, each term of the product can be expressed as $\sum_{n=0}^{\infty} \frac{1}{p^{-ns}}$.

Thus, the right-hand side of (2.11) is

$$\sum_{n_1, n_2, \dots, n_r=0}^{\infty} \frac{1}{p_1^{n_1 s} \cdot p_2^{n_2 s} \cdot \dots \cdot p_r^{n_r s}} = \sum_{n_1, n_2, \dots, n_r=0}^{\infty} \frac{1}{(p_1^{n_1} \cdot p_2^{n_2} \cdot \dots \cdot p_r^{n_r})^s}, \quad \text{where}$$

p_1, p_2, \dots, p_n are distinct primes and n_1, n_2, \dots, n_r are natural numbers.

By the Fundamental Theorem of Arithmetic, we can conclude

$$\text{that } \sum_{n_1, n_2, \dots, n_r=0}^{\infty} \frac{1}{(p_1^{n_1} \cdot p_2^{n_2} \cdot \dots \cdot p_r^{n_r})^s} = \sum_{n=0}^{\infty} \frac{1}{n^s}.$$

□

We will show that $\zeta(s)$ has no zeros for $\text{Re}(s) > 1$.

Lemma 2.1 The $\zeta(s)$ function has no zeros for $\text{Re}(s) > 1$.

Proof:

For $\text{Re}(s) > 1$, we can see that $(1-2^{-s})(1-3^{-s})\dots(1-p^{-s})\zeta(s) =$

$1 + m_1^{-s} + m_2^{-s} + \dots$ where m_1, m_2, \dots are integers whose factor are

greater than P . This implies that $|(1-2^{-s})\cdots(1-P^{-s})\zeta(s)| \geq 1 - (P+1)^{-\sigma} - (P+2)^{-\sigma} - \dots \geq 0$ for a large enough P . Thus, $|\zeta(s)| > 0$.

□

So far, we seen have that $\zeta(s) = \sum_{n=1}^{\infty} \frac{1}{n^s}$ holds for

$\text{Re}(s) > 1$. However, Riemann showed $\zeta(s)$ has an analytic continuation which holds for all $s \in \mathbb{C} \setminus \{1\}$. The formula by which Riemann extended the zeta function is

$$\zeta(s) = \frac{\Gamma(-s)}{2\pi i} \int_{+\infty}^{+\infty} \frac{(-x)^s}{e^x - 1} \cdot \frac{dx}{x}, \quad s \in \mathbb{C}. \quad (2.12)$$

The derivation of this formula will be not discussed in depth, but we are going to mention important techniques that Riemann used to derive his formula. One important key to understand is Cauchy's Integral Theorem: If $f(z)$ is analytic in a simply connected domain D and γ is any loop (closed contour) in D , then $\int_{\gamma} f(z) dz = 0$.

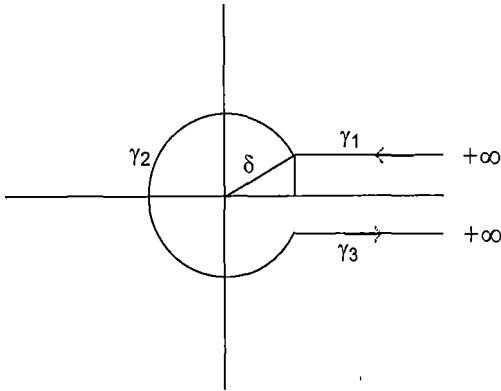
Let us examine the following contour integral,

$$\int_{+\infty}^{+\infty} \frac{(-x)^s}{e^x - 1} \cdot \frac{dx}{x}, \quad s \in \mathbb{C}. \quad (2.13)$$

We note that $(-x)^s$ is defined as $(-x)^s = e^{s \log(-x)} = e^{s(\log|x| + i \text{Arg}(-x))}$,

and $\log(-x)$ is not defined on the positive real-axis since

$\log(z)$ is not defined on the negative axis. The limit of this integration refers to a path of integration that starts at $+\infty$ above the real-axis and goes around the origin counterclockwise (positive direction) and heads back to $+\infty$ below the real-axis,



Let $\int_{+\infty}^{+\infty} \frac{(-x)^s}{e^x - 1} \cdot \frac{dx}{x} = \int_{\gamma_1} + \int_{\gamma_2} + \int_{\gamma_3}$ be the contour path, and let

the argument, $\text{Arg}(-x) = -\pi$ for γ_1 going from $+\infty$ to $\delta > 0$, and $\text{Arg}(-x) = \pi$ for γ_3 going back to $+\infty$. The integral (2.13) converges for all s , which implies that (2.13) does not depend on the choice δ by Cauchy's Theorem. Again, (2.13) is function of s only. Thus, Cauchy's Theorem can be applied to evaluate the integral on each of the paths, $\gamma_1, \gamma_2, \gamma_3$ such that (2.13) becomes,

$$\int_{+\infty}^{+\infty} \frac{(-x)^s}{e^x - 1} \frac{dx}{x} = \int_{\delta}^{+\infty} \frac{(-x)^s}{(e^x - 1)} \frac{dx}{x} + \int_{|x|=\delta} \frac{(-x)^s}{(e^x - 1)} \frac{dx}{x} + \int_{+\infty}^{\delta} \frac{(-x)^s}{(e^x - 1)} \frac{dx}{x}.$$

It is not difficult to show that the middle term goes to zero as $\delta \rightarrow 0$ for $s > 1$ on the circle $|x| = \delta$, because we can write $x = \delta e^{i\theta}$ and $\frac{dx}{x} = \frac{i\delta e^{i\theta} d\theta}{\delta e^{i\theta}} = i d\theta$ and note that $x(e^x - 1)^{-1}$ has a removable singularity. The remainder terms can be expressed as

$$\lim_{\delta \rightarrow 0} \int_{\delta}^{+\infty} \frac{\exp(s \log(x + i\pi)) dx}{(e^x - 1)x} = e^{i\pi s} \int_0^{+\infty} \frac{x^{s-1}}{e^x - 1} dx$$

and

$$\lim_{\delta \rightarrow 0} \int_{+\infty}^{\delta} \frac{\exp(s \log x - i\pi) dx}{(e^x - 1)x} = -e^{-i\pi s} \int_0^{+\infty} \frac{x^{s-1}}{(e^x - 1)} dx. \quad (2.14)$$

We now state the formula, $\int_0^{\infty} \frac{x^{s-1}}{e^x - 1} dx = \Pi(s-1)\zeta(s)$ which

can be obtained from the definition of the factorial

function $\Pi(s) = \int_0^{\infty} e^{-t} t^s dt$, ($s > -1$) by replacing t for nx and

summing over n . Adding both terms in (2.14) and the

formula we stated, we get $\zeta(s) = \frac{\Pi(-s)}{2\pi i} \int_{+\infty}^{+\infty} \frac{(-x)^s}{e^x - 1} \cdot \frac{dx}{x}$, as we

desired.

□

The Functional Equation of the Zeta Function

Riemann himself gave two proofs of the functional equation for the zeta function, $\zeta(s)$. Mathematicians have found different ways of proving the functional equation for the zeta function; however, this section will be devoted in the discussion of the techniques used by Riemann in his original paper which is found in E.C.[4]. It is interesting to note that historical accounts point out that the Poisson summation formula was an extremely important tool used in Riemann's original proof. The Poisson summation formula,

$$\sum_{n=-\infty}^{\infty} f(n) = \sum_{n=-\infty}^{\infty} \hat{f}(n) \quad \text{where} \quad \hat{f}(r) = \int_{-\infty}^{\infty} f(x) e^{-2\pi i r x} dx \quad (2.15)$$

tells us that existence of the relationship between the sum over the integers of a function f and its Fourier transform. The function must be differentiable "smooth" and vanishing at ∞ . The argument for the proof of the functional equation goes as follows:

By definition,

$$\Pi(s) = \int_0^{\infty} e^{-t} t^{-s} dt,$$

which implies that

$$\Pi\left(\frac{s}{2}-1\right) = \int_0^{\infty} e^{-t^2} t^{\frac{s}{2}-1} dt, \text{ for } \sigma > 1. \quad (2.16)$$

Now, let $t = n^2\pi x$ in (2.16) and note that $dt = n^2\pi dx$, which

gives the following result: $\Pi\left(\frac{s}{2}-1\right) = \int_0^{\infty} e^{-n^2\pi x} (n^2\pi x)^{\frac{s}{2}-1} dx (n^2\pi) =$

$\int_0^{\infty} e^{-n^2\pi x} n^s \pi^{\frac{s}{2}} x^{\frac{s}{2}} dx$. This implies that $\pi^{-\frac{s}{2}} \Pi\left(\frac{s}{2}-1\right) n^{-s} = \int_0^{\infty} e^{-n^2\pi x} x^{\frac{s}{2}} dx$,

for $\sigma > 1$. Let us now take the summation over n and get

$\pi^{-\frac{s}{2}} \Pi\left(\frac{s}{2}-1\right) \sum_{n=1}^{\infty} n^{-s} = \sum_{n=1}^{\infty} \int_0^{\infty} x^{\frac{s}{2}} e^{-n^2\pi x} dx$, and note that the right hand

side converges absolutely, which allows us to bring the

summation inside as follows:

$$\pi^{-\frac{s}{2}} \Pi\left(\frac{s}{2}-1\right) \sum_{n=1}^{\infty} n^{-s} = \int_0^{\infty} x^{\frac{s}{2}} \left(\sum_{n=1}^{\infty} e^{-n^2\pi x} \right) dx.$$

If we let $\psi(x) = \sum_{n=1}^{\infty} e^{-n^2\pi x}$, then we get the following

expression,

$$\pi^{-\frac{s}{2}} \Pi\left(\frac{s}{2}-1\right) \sum_{n=1}^{\infty} n^{-s} = \int_0^{\infty} x^{\frac{s}{2}} \psi(x) dx. \quad (2.17)$$

This can be solved for $\zeta(s)$, $\sum_{n=1}^{\infty} n^{-s} = \frac{\pi^{\frac{s}{2}}}{\Pi\left(\frac{s}{2}-1\right)} \int_0^{\infty} x^{\frac{s}{2}} \psi(x) dx$.

Riemann then applies the Poisson summation formula, (2.15)

to the function, $f(x) = e^{-n^2\pi x}$, $x > 0$ and obtains its Fourier

transform to be, $\hat{f}(r) = \frac{1}{\sqrt{t}} e^{-n^2\pi/x}$ which gives us the

following identity:

$$\sum_{n=-\infty}^{\infty} e^{-n^2\pi x} = \frac{1}{\sqrt{x}} \sum_{n=-\infty}^{\infty} e^{-n^2\pi/x}.$$

Since $\psi(x) = \sum_{n=1}^{\infty} e^{-n^2\pi x}$ it is clear that,

$$2\psi(x) + 1 = \sum_{n=-\infty}^{\infty} e^{-n^2\pi x} =$$

$$\frac{1}{\sqrt{x}} \sum_{n=-\infty}^{\infty} e^{-n^2\pi/x} = \frac{1}{\sqrt{x}} \left(2\psi\left(\frac{1}{x}\right) + 1 \right). \quad (2.18)$$

The interchanging of the summation and integration in the following argument is justifiable by absolute convergence of the integrands in the integrals for $\text{Re}(s) > 1$. We now apply (2.18) to the right-hand side of the following

formula, $\pi^{-\frac{s}{2}} \Gamma\left(\frac{s}{2}\right) \sum_{n=1}^{\infty} n^{-s} = \int_1^{\infty} x^{\frac{1}{2}s-1} \psi(x) dx + \int_0^1 x^{\frac{1}{2}s-1} \psi(x) dx$. We get

$$\begin{aligned} & \int_1^{\infty} x^{\frac{1}{2}s-1} \psi(x) dx + \int_0^1 x^{\frac{1}{2}s-1} \left(\frac{1}{\sqrt{x}} \psi\left(\frac{1}{x}\right) + \frac{1}{2\sqrt{x}} - \frac{1}{2} \right) dx \\ &= \int_1^{\infty} x^{\frac{1}{2}s-1} \psi(x) dx + \int_0^1 x^{\frac{1}{2}s-1} \frac{1}{\sqrt{x}} \psi\left(\frac{1}{x}\right) dx + \int_0^1 x^{\frac{1}{2}s-1} \frac{1}{2\sqrt{x}} dx - \frac{1}{2} \int_0^1 (x^{\frac{1}{2}s-1}) dx \end{aligned}$$

$$\begin{aligned}
&= \int_1^{\infty} x^{\frac{1}{2}s-1} \psi(x) dx + \int_0^1 x^{\frac{1}{2}s-1} \frac{1}{\sqrt{x}} \psi\left(\frac{1}{x}\right) dx + \frac{1}{2} \int_0^1 x^{\frac{1}{2}s-\frac{3}{2}} dx - \frac{1}{2} \int_0^1 x^{\frac{1}{2}s-1} dx \\
&= \int_1^{\infty} x^{\frac{1}{2}s-1} \psi(x) dx + \int_0^1 x^{\frac{1}{2}s-\frac{3}{2}} \psi\left(\frac{1}{x}\right) dx + \frac{1}{s-1} - \frac{1}{s}.
\end{aligned}$$

Changing the limits of integration for the integral

$\int_0^1 x^{\frac{1}{2}s-\frac{3}{2}} \psi\left(\frac{1}{x}\right) dx$, we obtain the desired result,

$$\begin{aligned}
\pi^{-\frac{s}{2}} \Pi\left(\frac{s}{2}-1\right) \sum_{n=1}^{\infty} n^{-s} &= \\
&= \int_1^{\infty} \left(x^{\frac{1}{2}s-1} + x^{-\frac{1}{2}s-\frac{1}{2}}\right) \psi(x) dx + \frac{1}{(s-1)} - \frac{1}{s}. \tag{2.19}
\end{aligned}$$

Thus, $\pi^{-\frac{s}{2}} \Pi\left(\frac{s}{2}-1\right) \zeta(s) = \pi^{-\frac{s+1}{2}} \Pi\left(-\frac{s}{2}-\frac{1}{2}\right) \zeta(1-s)$ is the functional equation which remains unchanged with the substitution of $s = 1-s$.

□

We note that $\Pi(s) = s\Pi(s-1)$, and $\Pi\left(\frac{s}{2}\right) = \frac{s}{2}\Pi\left(\frac{s}{2}-1\right)$ which implies

that $\Pi\left(\frac{s}{2}-1\right) = \frac{2}{s}\Pi\left(\frac{s}{2}\right)$. Riemann then multiplies (2.19) by

$\frac{s(s-1)}{2}$ and defines

$$\xi(s) = \pi^{-\frac{s}{2}} \Pi\left(\frac{s}{2}\right) (s-1) \zeta(s), \quad (\sigma > 0). \tag{2.20}$$

We will discuss formula (2.20) in the following chapter.

CHAPTER THREE

THE PRODUCT FORMULA FOR $\xi(s)$

Introduction

In Chapter two, we stated Riemann's definition for $\xi(s)$,

$$\xi(s) = \pi^{-\frac{s}{2}} \Pi\left(\frac{s}{2}\right)(s-1)\zeta(s), \quad (3.1)$$

which is an entire function and by the symmetry of the functional equation, we get

$$\xi(s) = \xi(1-s).$$

We state some of the interesting remarks for the $\xi(s)$ function. In Chapter two, we showed that $\zeta(s)$ has no zeros for $\text{Res} > 1$. The zero of $s-1$ and the pole of $\zeta(s)$ cancel so that $s=1$ is neither a pole nor a zero. So, $\xi(s)$ has no roots ρ for the half-plane $\text{Res} > 1$. Similarly, by the functional equation, if ρ is root of the $\xi(s)$, it implies that $1-\rho$ is also a root, and so is its conjugate $1-\bar{\rho}$. This shows that $\xi(s)$ has no roots for the half-plane $\text{Res} < 0$ because the trivial zeros of $\zeta(s)$ are canceled by the poles of $\Pi\left(\frac{s}{2}\right)$. Thus, all roots ρ of $\xi(s)$ must be the nontrivial roots of the zeta function in the strip $0 \leq \text{Re}\rho \leq 1$.

Riemann stated that the $\xi(s)$ can be expanded into an infinite product,

$$\xi(s) = \xi(0) \prod_{\rho} \left(1 - \frac{s}{\rho}\right) \quad (3.2)$$

where ρ are precisely the roots of the Riemann zeta function where the factor ρ and $1-\rho$ are paired. However, it was Hadamard who showed the validity of (3.2).

In following sections, we will follow Hadamard's line of argument. We will discuss the estimate of the distribution of the roots of $\xi(s)$, show the convergence of the product representation, and conclude with the validity of product formula for $\xi(s)$.

Estimate of $\xi(s)$

It is not difficult to show that for sufficiently large values of R the estimate $|\xi(s)| \leq R^R$ is valid in the disk $\left|s - \frac{1}{2}\right| \leq R$, since the largest value of $\xi(s)$ takes place

at $s = \frac{1}{2} + R$, (See Edwards[4]). For sufficiently large

enough R , we choose N such that $\frac{1}{2} + R \leq 2N < \frac{1}{2} + R + 2$. By

using (3.1) and noting that $N! < N^N$ we obtain the following result;

$$\begin{aligned}
\xi\left(\frac{1}{2} + R\right) &\leq \xi(2N) = (N!)^{\pi^{-N}} (2N - 1) \zeta(2N) \\
&\leq N^N (2N) \zeta(2N) = CN^{N+1} \\
&\leq C\left(\frac{1}{2}R + 2\right)^{(R/2)+3} < R^R.
\end{aligned}$$

Where C is some constant and the result is true for a large enough R .

□

Another interesting question that we may ponder is, how many zeros does $\xi(s)$ have? Before we answer this question, let us appeal to the well-known Jensen's formula which is stated as the follow theorem.

Theorem 3.1 (Jensen's formula)

Suppose that $f(z)$ is an analytic function defined in a disk $|z| \leq R$. Suppose also that $f(z)$ has no zeros on $|z| = R$ but it has zeros inside the disk, namely, $z_1, z_2, z_3, \dots, z_n$ with their multiplicities and $f(0) \neq 0$, then

$$\log|f(0)| + \log\left|\frac{R}{z_1} \cdot \frac{R}{z_2} \cdot \frac{R}{z_3} \cdots \frac{R}{z_n}\right| = \frac{1}{2\pi} \int_0^{2\pi} \log|f(Re^{i\theta})| d\theta.$$

(The proof follows from properties of analytic functions and the Cauchy integral formula).

Theorem 3.2 Let $n(R)$ be the number of zeros (with their

multiplicities) of $\xi(s)$ which are located in the disk

$\left|s - \frac{1}{2}\right| \leq R$. Then $n(R) \leq 3R \log R$ for all large enough R .

Proof:

We Apply Jensen's formula to $\xi(s)$ on a disk $\left|s - \frac{1}{2}\right| \leq 2R$ and

get $\log \xi\left(\frac{1}{2}\right) + \sum_{|\rho-1/2| < 2R} \log \frac{2R}{|\rho-1/2|} \leq \log((2R)^{2R})$. We see that,

$$\sum_{|\rho-1/2| < 2R} \log \frac{2R}{|\rho-1/2|} = \sum_{|\rho-1/2| < 2R} \left(\log 2 + \log R - \log \left|\rho - \frac{1}{2}\right|\right). \quad \text{The}$$

summation indicates that the terms corresponding to roots ρ

in the disk $\left|s - \frac{1}{2}\right| \leq R$ are all at least $\log 2$. This implies

that $n(R) \log 2 < 2R \log 2R - \log \xi\left(\frac{1}{2}\right)$ and hence

$$n(R) \leq \frac{2R \log 2R}{\log 2} - \frac{\log \xi\left(\frac{1}{2}\right)}{\log 2} \leq 3R \log R, \quad \text{for all large enough } R. \quad \text{Thus,}$$

we have completed the proof.

□

Convergence of $\xi(s)$

This section is devoted to show that the above rough estimate is sufficient for the convergence of the product

formula in (3.2). We know that if the infinite series $\sum_{n=1}^{\infty} a_n$

converges absolutely, then product $\prod_{n=0}^{\infty} (1 - |a_n|)$ is also convergent. It is easy to see that we can pair the roots of the $\xi(s)$ by the noting that $\log \xi(s) = \sum_{\rho} \log(1 - \frac{s}{\rho})$ and by absolute convergence of the sum, we get

$$\sum_{\text{Im } \rho > 0} \left[\log \left(1 - \frac{s}{\rho} \right) + \log \left(1 - \frac{s}{1-\rho} \right) \right],$$

where ρ ranges over all roots of $\xi(s)$. Now,

$$\begin{aligned} \sum_{\text{Im } \rho > 0} \left[\log \left(1 - \frac{s}{\rho} \right) + \log \left(1 - \frac{s}{1-\rho} \right) \right] &= \sum_{\text{Im } \rho > 0} \left[\log \left(1 - \frac{s}{\rho} \right) \left(1 - \frac{s}{1-\rho} \right) \right] \\ &= \sum_{\text{Im } \rho > 0} \log \left(1 - \frac{s(1-s)}{\rho(1-\rho)} \right) \end{aligned}$$

This implies that $\prod_{\text{Im } \rho > 0} \left(1 - \frac{s}{\rho} \right) = \prod_{\text{Im } \rho > 0} \left(1 - \frac{s(1-s)}{\rho(1-\rho)} \right)$.

To prove the convergence of the product formula in (3.2), namely $\prod \left(1 - \frac{s}{\rho} \right)$, it suffices to show the convergence of

$\sum \left| \frac{1}{\rho(1-\rho)} \right|$. In fact, the technique here is to write

$$\frac{1}{|\rho(1-\rho)|} = \frac{1}{\left| \left(\rho - \frac{1}{2} \right)^2 - \frac{1}{4} \right|} < \frac{1}{\left| \rho - \frac{1}{2} \right|^2}$$

by completing the square. So,

it suffices to show the convergence of $\sum \frac{1}{|\rho - 1/2|^{1+\epsilon}}$ for

$\varepsilon > 0$. By knowing the estimate of the ρ of $\xi(s)$ in $|s - 1/2| = R_n$ and noting that $|\rho - 1/2| > R_n$, we can show that

$$\sum \frac{1}{|\rho - 1/2|^{1+\varepsilon}} < C + \sum \frac{1}{n^{1/2+\varepsilon}}$$

and the right-hand side is convergent for $\varepsilon > 0$.

□

Validity of the Product Formula $\xi(s)$

We now state Theorem 3.3 that will show the validity of the product formula (3.2). The proof for Theorem 3.3 requires three very important results which we state as lemmas. We are merely going to sketch the important steps in the proofs of the lemmas.

Theorem 3.3 The function $F(s) = \frac{\xi(s)}{\prod_{\rho} \left[1 - \left(s - \frac{1}{2} \right) / \left(\rho - \frac{1}{2} \right) \right]}$ is an even

analytic function of $s - \frac{1}{2}$, which is defined in the entire s

plane. Moreover, $F(s)$ does not have zeros, thus $\log F(s)$ is

determined up to multiples of $2\pi ni$. Hence, $\log F(s) = \text{constant}$.

□

Lemma 3.1 Given $\varepsilon > 0$, then $\text{Re} \log \frac{\xi(s)}{\prod_{\rho} \left(1 - \frac{s - 1/2}{\rho - 1/2} \right)} \leq \left| s - \frac{1}{2} \right|^{1+\varepsilon}$ for

Proof: The idea is to write $f(s) = u(s) + v(s)$ as the sum of its real and imaginary parts, and consider

$$\phi(s) = \frac{f(s)}{s[2M - f(s)]}. \quad (3.4)$$

Substitute $u(s) + v(s)$ for $f(s)$ and observe that $|2M - u(s)| \geq$

$M \geq u(s)$ on the circle $|s| = r$; it shows that $|\phi(s)| \leq \frac{1}{r}$ in the

disk $\{|s| \leq r\}$. We express (3.4) as $f(s) = \frac{2Ms\phi(s)}{1 + f(s)}$ which gives

$$|f(s)| \leq \frac{2Mr_1r^{-1}}{1 - r_1r^{-1}} = \frac{2Mr_1}{r - r_1} \text{ for } |s| = r_1 \text{ and holds in a disk } \{|s| \leq r_1\}.$$

□

Lemma 3.3 Let $f(s)$ be an even analytic function which is defined in the entire s plane. Suppose $f(s)$ has a rate of growth less than $|s|^2$, that is; for every $\varepsilon > 0$ there exists R such that $\operatorname{Re} f(s) < \varepsilon |s|^2$ for all points s , $|s| > R$. Then f is a constant.

Proof: (sketch of the proof)

We must conclude that $f(s) = \text{constant}$. The idea here is to express $f(s) = a_0 + a_1s + a_2s^2 + a_3s^3 + \dots + a_ns^n$ and assume that

$a_0 = 0$. The coefficients of $f(s)$, $a_n = \frac{1}{2\pi i} \int_{\partial D} \frac{f(s)}{s^{n+1}} ds$ by the

Cauchy Integral formula. Let D be the disk $\left\{ |s| \leq \frac{1}{2}R \right\}$, then

$$|a_n| = \left| \frac{1}{2\pi i} \int_0^{2\pi} \frac{f\left(\frac{1}{2}R e^{i\theta}\right)}{\left(\frac{1}{2}R e^{i\theta}\right)^n} i d\theta \right| \leq \frac{2^{n+1}\varepsilon}{R^{n-2}} \text{ for } \varepsilon > 0 \text{ by Lemma 3.2. The}$$

result shows that $a_n = 0$ for $n > 2$ since ε can be chosen as small as we desire to. We also note that $a_0 = 0 = a_1$ follows from the fact $f(s)$ is an even function and the rate of growth of $f(s)$. Thus, $f(s) = 0$ which implies that $f(s)$ is a constant.

□

We recall the function,

$$F(s) = \frac{\xi(s)}{\prod_{\rho} \left[1 - \left(s - \frac{1}{2} \right) / \left(\rho - \frac{1}{2} \right) \right]} \quad (3.5)$$

from Theorem 3.1 and by the three lemmas, we can see that $\log F(s) = c$ where c is constant. Thus we obtain,

$$\xi(s) = c \prod_{\rho} \left(1 - \frac{s - \frac{1}{2}}{\rho - \frac{1}{2}} \right), \text{ which implies that } \xi(0) = c \prod_{\rho} \left(1 - \frac{-\frac{1}{2}}{\rho - \frac{1}{2}} \right).$$

$$\text{Dividing } \xi(s)/\xi(0), \text{ we get } c \prod_{\rho} \left(1 - \frac{s - \frac{1}{2}}{\rho - \frac{1}{2}} \right) \cdot c^{-1} \prod_{\rho} \left(1 - \frac{-\frac{1}{2}}{\rho - \frac{1}{2}} \right)^{-1} =$$

$$\frac{\xi(s)}{\xi(0)} = \prod_{\rho} \left(1 - \frac{s - \frac{1}{2}}{\rho - \frac{1}{2}} \right) \cdot \prod_{\rho} \left(1 - \frac{-\frac{1}{2}}{\rho - \frac{1}{2}} \right)^{-1}. \quad \text{The right-hand side equals}$$

0 or 1 if $s = \rho$ or $s = 0$, respectively. Since it is a

function of s , we get $\xi(s) = \xi(0) \prod_{\rho} \left(1 - \frac{s}{\rho} \right)$ to be the desired

expression.

□

CHAPTER FOUR

THE PRIME NUMBER THEOREM

Introduction

The Riemann Zeta function has many applications, and this chapter will be devoted to showing how the Riemann zeta function, $\zeta(s)$, play a key role in proving the Prime Number Theorem (PNT). Before we discuss what each section contains, it will be important to state the PNT.

The Prime Number Theorem:

$$\pi(x) \sim \frac{x}{\log x} \text{ as } x \rightarrow \infty.$$

We take a moment to explain what the theorem is actually telling us. $\pi(x)$ is a function that counts the number of primes less than or equal to x . In fact, if we were to graph $\pi(x)$, we can see that this is a step function that jumps by one unit every time it encounters a prime.

For a large value of x , $\pi(x)$ starts to look like the function of $x/\log x$. In fact, as $x \rightarrow \infty$, $\pi(x) \sim x/\log x$. This implies that $\pi(x)$ is an asymptotic function; which simply means, $\lim_{x \rightarrow \infty} \frac{\pi(x)}{x/\log x} = 1$. However, $x/\log x$ does not really give

a good approximation to $\pi(x)$, and it was great Gauss who

provided the logarithmic integral, $\text{li}(x) = \int_2^x \frac{dt}{\log t}$ which better approximates $\pi(x)$. Comparing Table 1 and Table 2 we can see that $\text{li}(x)$ is a better approximation than $x/\log x$, (see Table 1 and Table 2).

Table 1. Approximation of $\pi(x)$ to $x/\log x$

x	$\pi(x)$	$x/\log x$	$\pi(x)/(x/\log x)$
10^3	168	144.8	1.16
10^4	1,229	1,086	1.13
10^5	9,592	8,686	1.10
10^6	78,498	72,382	1.08
10^7	664,579	620,420	1.07
10^8	5,761,455	5,428,681	1.06
10^9	50,847,534	48,254,942	1.05
10^{10}	455,052,511	434,294,482	1.04

Table 2. Approximation of $\pi(x)$ to $\text{li}(x)$

x	$\pi(x)$	$\text{li}(x)$	$\pi(x)/\text{li}(x)$
10^3	168	178	0.94...
10^4	1,229	1,246	0.98...
10^5	9,592	9,630	0.993...
10^6	78,498	78,628	0.996...
10^7	664,579	664,918	0.9994...
10^8	5,761,455	5,762,209	0.99986...
10^9	50,847,534	50,849,235	0.99996...
10^{10}	455,052,511	455,055,614	0.999993...

The Prime Number theorem, can either refer to $\pi(x) \sim x/\log x$, $x \rightarrow \infty$ or $\pi(x) \sim \text{li}(x)$, $x \rightarrow \infty$, because we are interested in the value of their limits.

Riemann himself outlined the proof (with no details) of it in his eight-page paper, but it was Hadamard and de la Vallée Poussin who provided the missing details, independently. Nonetheless, this chapter will primarily focus and follow Hadarmard's line of argument, but it will include de la Vallée Poussin's argument. We will discuss the proof that $\text{Re } \rho < 1$ for the roots, ρ . Moreover, we will prove that $\psi(x) \sim x$ and conclude with the proof of the PNT.

The Riemann Zeta Function Has No
Zeros on the Line $\text{Re}(s) = 1$

We are going to show that for all the non-trivial zero of $\zeta(s)$, their real parts are less than one. This is going to be de la Vallée Poussin's proof found in Edwards[6].

By (2.1), $\zeta(s)$ has no roots for $\text{Re}(s) > 1$ and from von Mangoldt's formula, this reduces to showing that $\zeta(s)$ has no roots ρ on line $\text{Re}(s) = 1$.

Theorem 4.1 (de la Vallée Poussin) $\zeta(s)$ has no roots ρ on line $\text{Re}(s) = 1$.

Proof:

From (2.1) (Euler product) and for $\sigma > 1$ we get

$$\log \zeta(s) = \sum_p \sum_{m=1}^{\infty} \frac{1}{m} p^{-m\sigma} e^{-itm \log p} = \sum_p p^{-\sigma} + \sum_p \sum_{m=2}^{\infty} \frac{1}{m} p^{-m\sigma} e^{-itm \log p},$$

where $\sum_p \sum_{m=2}^{\infty} \frac{1}{m} p^{-m\sigma} e^{-itm \log p}$ is bounded. We see that,

$$\log \zeta(s) = \sum_p \sum_{m=1}^{\infty} \frac{1}{m} p^{-m\sigma} e^{-itm \log p} \text{ can be rewritten as } \zeta(s) =$$

$\exp \left(\sum_p \sum_{m=1}^{\infty} \frac{1}{m} p^{-m\sigma} e^{-itm \log p} \right)$. It follows that,

$$\text{Re} \zeta(s) = \exp \left(\sum_p \sum_{m=1}^{\infty} \frac{1}{m} p^{-m\sigma} \cos(t \log p^m) \right). \quad (4.1)$$

Now, de la Vallée Poussin established a relationship

between $\zeta(\sigma + it)$ and $\zeta(\sigma + 2it)$ by using Merten's identity;

$$3 + 4\cos\theta + \cos 2\theta = 2(1 + \cos\theta)^2 \geq 0, \quad (4.2)$$

for all values of θ . We are going to prove that $\zeta(1 + it)$ remains bounded away from zero for all t by (4.2). By the identities (4.1) and (4.2), we see that

$3\log\zeta(\sigma) + 4\operatorname{Re}\log\zeta(\sigma + it) + \operatorname{Re}\log\zeta(\sigma + 2it) \geq 0$ for $\operatorname{Re}(s) > 1$. This implies that

$$\begin{aligned} \zeta^3(\sigma)|\zeta^4(\sigma + it)||\zeta(\sigma + 2it)| = \\ \exp\left(\sum_p \sum_{m=1}^{\infty} \frac{3 + 4\cos(mt \log p) + \cos(2mt \log p)}{mp^{m\sigma}}\right). \end{aligned} \quad (4.3)$$

The right-hand side of (4.3) is either 1 or greater than 1, which implies that

$$\zeta^3(\sigma)|\zeta^4(\sigma + it)||\zeta(\sigma + 2it)| \geq 1, \quad (\sigma > 1).$$

If we fix t and let $\sigma \rightarrow 1$, $\zeta(\sigma) = \zeta(1)$ has a simple pole. If $1 + it$ were a zero of the zeta function, $\zeta(s)$, the inequality tells us that the left-hand side goes to zero as $\sigma \rightarrow 1$.

However, $\zeta(\sigma + 2it)$ is bounded as $\sigma \rightarrow 1$, contradiction. Thus there exist no zeros of the zeta function on the line

$$\operatorname{Re}(s) = 1.$$

□

Proof that $\psi(x) \sim x$

In this section, we outline the main steps of the proof for $\psi(x) \sim x$, $x \rightarrow \infty$. We recall the formula (2.10), namely,

$$\psi(x) = x - \sum \frac{x^\rho}{\rho} + \sum \frac{x^{-2n}}{2n} + \frac{\zeta'(0)}{\zeta(0)}, \quad (x > 1). \quad (4.4)$$

As it was mentioned in Chapter 2, the formula was obtained

by applying Fourier inversion to $-\zeta'(s)/\zeta(s) = s \int_0^\infty \psi(x)x^{-s-1}dx$

(where $\psi(x) = \sum_{p^n \leq x} \log p$), and from using the identity

$$\Pi\left(\frac{s}{2}\right)(s-1)\pi^{-s/2}\zeta(s) = \frac{1}{2} \prod_\rho \left(1 - \frac{s}{\rho}\right). \quad \text{The result from applying the}$$

Fourier inversion is the following equation,

$$\psi(x) = \frac{1}{2\pi i} \int_{a-it}^{a+it} \left(-\frac{\zeta'(s)}{\zeta(s)}\right) x^s \frac{ds}{s}, \quad (4.5)$$

which is the key in evaluating (4.4). Next, Riemann found the anti-derivative of (4.4) and showed the validity of its term-wise integration to obtain another formula, namely;

$$\int_0^x \psi(t)dt = \frac{x^2}{2} - \sum_\rho \frac{x^{\rho+1}}{\rho(\rho+1)} + \sum \frac{x^{-2n+1}}{2n(2n+1)} + \frac{\zeta'(0)}{\zeta(0)}x + \frac{\zeta'(-1)}{\zeta(-1)}$$

for all $x > 1$. It is not difficult to argue that the last four

terms, $\sum_{\rho} \frac{x^{\rho+1}}{\rho(\rho+1)} + \sum \frac{x^{-2n+1}}{2n(2n+1)} + \frac{\zeta'(0)}{\zeta(0)}x + \frac{\zeta'(-1)}{\zeta(-1)}$ converge to zero,

as $x \rightarrow \infty$ by dividing every term by $\frac{x^2}{2}$. Thus, we obtain

the desired result $\int_0^x \psi(t)dt \sim \frac{x^2}{2}$.

□

To show that $\psi(x) \sim x$, we are going to require a preliminary result that we state as Theorem 4.2 which is found in Apostol[1].

Theorem 4.2 Let $A(x) = a(1) + a(2) + \dots + a(n) = \sum_{n \leq x} a(n)$ and let

$A_1(x) = \int_1^x A(t)dt$. Suppose that $a(n) \geq 0$ for $n = 1, 2, 3, \dots$. If

$A_1(x) \sim Lx^c$ as $x \rightarrow \infty$ is an asymptotic formula, for a

positive constant c and $L > 0$, then $A(x) \sim cLx^{c-1}$.

Proof: We are only going to provide an outline of the proof for Theorem 4.2. We first need to consider the fact that $A(x)$ is an increasing function and $a(n) \geq 0$. We let $\beta > 1$ and observe the difference of $A_1(\beta x) - A_1(x)$. We get,

$$\begin{aligned} A_1(\beta x) - A_1(x) &= \int_x^{\beta x} A(u)du \geq \int_x^{\beta x} A(x)du \\ &= A(x)(\beta x - x) \end{aligned}$$

$$= x(\beta - 1)A(x).$$

This gives us

$$\frac{A(x)}{x^{c-1}} \leq \frac{1}{\beta - 1} \left\{ \frac{A_1(\beta x)}{(\beta x)^c} \beta^c - \frac{A_1(x)}{x^c} \right\}.$$

It is not difficult to show that if we keep β fixed and let $x \rightarrow \infty$, we find

$$\limsup_{x \rightarrow \infty} \frac{A(x)}{x^{c-1}} \leq L \frac{\beta^c - 1}{\beta - 1}.$$

Now, as $\beta \rightarrow 1$, we obtain

$$\limsup_{x \rightarrow \infty} \frac{A(x)}{x^{c-1}} \leq cL.$$

Consider $A_1(x) - A_1(\alpha x)$ for any α with $0 < \alpha < 1$, we clearly see that

$$\liminf_{x \rightarrow \infty} \frac{A(x)}{x^{c-1}} \geq L \frac{1 - \alpha^c}{1 - \alpha}.$$

$$L \frac{1 - \alpha^c}{1 - \alpha} \rightarrow cL, \text{ as } \alpha \rightarrow 1$$

This shows that $\frac{A(x)}{x^{c-1}} \rightarrow cL, \quad x \rightarrow \infty$

□

Let us denote $\psi_1(x) = \sum_{n \leq x} \Lambda(n)(x - n)$ and $\psi_1(x) \sim \frac{x^2}{2}$ (from the

previous result). By letting $a(n) = \Lambda(n)$, $A_1(x) = \psi_1(x)$, and

$A(x) = \psi(x)$ as Theorem 4.2 indicates, we can easily conclude

that $\psi(x) \sim x$.

□

The Prime Number Theorem

The Prime Number Theorem says that

$$\pi(x) \sim x/\log x \text{ as } x \rightarrow \infty.$$

Proof: To prove the PNT, the key idea to understand is the chain of connections among $\psi(x) = \sum_{p^m \leq x} \log p$, $\theta(x) = \sum_{p \leq x} \log p$, and

$\pi(x)$ for $x > 0$, such that $\pi(x)/(x/\log x)$, $\theta(x)/x$, and $\psi(x)/x$

have the same limits $x \rightarrow \infty$. We first find the relation

between $\psi(x)$ and $\theta(x)$, and the relation of $\theta(x)$ to $\pi(x)$. This

series of connections will lead to $\pi(x) \sim x/\log x$.

We note that $\psi(x) = \theta(x) + \theta(x^{1/2}) + \theta(x^{1/3}) + \dots$ by grouping

together the terms of $\psi(x)$ for which the power m is the

same. Moreover, by grouping the terms for which p are the

same, we obtain $\psi(x) = \sum_{p \leq x} \left[\frac{\log x}{\log p} \right] \log p$. We get the following

inequality,

$$\theta(x) \leq \psi(x) \leq \sum_{p \leq x} \frac{\log x}{\log p} \log p = \pi(x) \log x. \quad (4.6)$$

Divide (4.6) by x , and recall that $\psi(x) \sim x$, as $x \rightarrow \infty$ from

the previous section. Thus, $1 \leq \frac{\pi(x)\log x}{x}$ as $x \rightarrow \infty$. Next, if

$0 < \alpha < 1$, $x > 1$, $\theta(x) \geq \sum_{x^\alpha < p < x} \log p \geq \{\pi(x) - \pi(x^\alpha)\} \log x^\alpha$. We

observe that $\pi(x^\alpha) < x^\alpha$, so $\frac{\theta(x)}{x} > \alpha \left(\frac{\pi(x)\log x}{x} - \frac{\log x}{x^{1-\alpha}} \right)$. Let α be

fixed and $x \rightarrow \infty$, we get $\frac{\theta(x)}{x} > 1 > \frac{\pi(x)\log x}{x}$ since α can be as

close to 1 as we desire, which implies that $1 > \frac{\pi(x)\log x}{x}$ as

$x \rightarrow \infty$. Thus $\pi(x) \sim \frac{x}{\log x}$.

□

CHAPTER FIVE

DIRICHLET L-FUNCTIONS

Introduction

The Riemann zeta function, $\zeta(s)$ is not an isolated object but, rather comes from a family of functions called Dirichlet series, $\sum_{n=1}^{\infty} \frac{f(n)}{n^s}$ where $f(n)$ is an arithmetical function. In fact, there exist other functions that are generalizations of the Riemann zeta function which are used in the study of algebraic number fields. Examples of such functions are the Dedekind zeta function, the Hurwitz zeta function, and the Epstein zeta function. This chapter will be focusing on the properties of Dirichlet L-functions. Moreover, just as we proved the functional equation for $\zeta(s)$ function, we will also provide the proof of functional equation that Dirichlet L-functions satisfy. Dirichlet L-functions are extremely important tool in the study of prime numbers in arithmetic progression, and their properties are somewhat related to the properties of $\zeta(s)$. In order to have a better understanding of Dirichlet L-functions, this chapter will provide definitions and properties of Dirichlet characters, primitive characters,

and conclude with the proof for the functional equation.

Most of the material in this chapter comes from Apostol[1] and Davenport[2].

Dirichlet's Character

Definition 5.1 (Dirichlet Characters)

Let G be the group of reduced residue classes mod q and q be a fixed positive integer. Let $\chi': (\mathbb{Z}/q\mathbb{Z}) \rightarrow \mathbb{C}^*$ be a homomorphism. Corresponding to each character χ' of G , we define an arithmetical function $\chi: \mathbb{Z} \rightarrow \mathbb{C}^*$ as follow:

$$\chi(n) = \begin{cases} \chi'(n + q\mathbb{Z}) & \text{if } (n, q) = 1. \\ 0 & \text{if } (n, q) > 1. \end{cases} \quad (5.1)$$

Moreover, we denote the Principal Dirichlet character mod q to be

$$\chi_0(n) = \begin{cases} 1 & \text{if } (n, q) = 1. \\ 0 & \text{if } (n, q) > 1. \end{cases}$$

The functions χ with the above definition are known as Dirichlet characters.

We can clearly see from our Definition 5.1 that Dirichlet characters are completely multiplicative, that is; $\chi(nm) = \chi(n)\chi(m)$ for all m and n since χ' is a homomorphism map.

Lemma 5.1 There exists $\varphi(q)$ distinct characters mod q , where $\varphi(q)$ is the Euler φ -function which gives the number of positive integers less than or equal to q and relatively prime to q .

Proof: The proof follows from the fact that $\varphi(q)$ forms a set of reduced residue system mod q . This implies that there exists $\varphi(q)$ characters χ' for the group G of reduced residue classes mod q . Thus, there exists $\varphi(q)$ characters χ mod q .

Lemma 5.2 and Lemma 5.3 follow from Lemma 5.1.

Lemma 5.2 Let $\chi_1, \chi_2, \dots, \chi_{\varphi(q)}$ be the $\varphi(q)$ Dirichlet characters mod q . Then, the first sum is given by,

$$\sum_{n \bmod q} \chi(n) = \begin{cases} \varphi(q) & \text{if } \chi = \chi_0 \\ 0 & \text{otherwise;} \end{cases}$$

where the sum is over any representative set of residues mod q . The second sum is of the form,

$$\sum_{\chi \bmod q} \chi(n) = \begin{cases} \varphi(q) & \text{if } n \equiv 1 \pmod{q} \\ 0 & \text{otherwise;} \end{cases}$$

where the sum is over all the $\varphi(q)$ characters.

Lemma 5.3 Let $\chi_1, \chi_2, \dots, \chi_{\varphi(q)}$ be the $\varphi(q)$ Dirichlet characters mod q , and let $a, n \in \mathbb{Z}$ with $(a, q) = 1$. If $\bar{\chi}$ is the conjugate

character to χ , then

$$\sum_{\chi \bmod q} \bar{\chi}(a)\chi(n) = \begin{cases} \varphi(q) & \text{if } n \equiv a \pmod{q} \\ 0 & \text{otherwise.} \end{cases}$$

This sum represents the orthogonality relation of the characters. We note that $\bar{\chi}(a)\chi(n) = \chi(n')$ where $n' \equiv 1 \pmod{q}$ if and only if $n \equiv a \pmod{q}$.

Note that if the order of a group G is n , $|G| = n$ and for $g \in G$ then $g^n = 1$ (1 is the identity of G). Similarly, let $\chi \in \hat{G}$ where $\hat{G} = \{\chi \mid \chi : G \rightarrow \mathbb{C}^*\}$ forms a group of order $\varphi(q)$, then we get $(\chi(n))^{\varphi(q)} = 1 = \chi_0$. So the values of χ are precisely the $\varphi(q)^{\text{th}}$ roots of unity. Moreover, we denote $\bar{\chi}$ to be the complex conjugate of χ .

We now provide the following examples to show the different Dirichlet characters mod q for each value $q \in \{1, 2, 3, 4, 5, 6, 7, 8\}$. For $q = 1$ and $q = 2$, $\varphi(q) = 1$, there exists only the principal character χ_0 . For $q = 3$, $\varphi(q) = 2$, and $q = 4$, $\varphi(q) = 2$, we obtain two Dirichlet characters, χ_0, χ_1 for each modulus

n	1	2	3
$\chi_0(n)$	1	1	0
$\chi_1(n)$	1	-1	0

n	1	2	3	4
$\chi_0(n)$	1	0	1	0
$\chi_1(n)$	1	0	-1	0

For $q = 5$, $\varphi(q) = 4$, we obtain four Dirichlet characters,

$\chi_0, \chi_1, \chi_2, \chi_3$.

n	1	2	3	4	5
$\chi_0(n)$	1	1	1	1	0
$\chi_1(n)$	1	-1	-1	1	0
$\chi_2(n)$	1	i	$-i$	-1	0
$\chi_3(n)$	1	$-i$	i	-1	0

For $q = 6$, $\varphi(q) = 2$, we get two Dirichlet characters, χ_0, χ_1 .

n	1	2	3	4	5	6
$\chi_0(n)$	1	0	0	0	1	0
$\chi_1(n)$	1	0	0	0	-1	0

With $q = 7$, $\varphi(q) = 6$ we obtain 6 Dirichlet characters,

$\chi_0, \chi_1, \chi_2, \chi_3, \chi_4, \chi_5$.

n	1	2	3	4	5	6	7
$\chi_0(n)$	1	1	1	1	1	1	0
$\chi_1(n)$	1	1	-1	1	-1	-1	0
$\chi_2(n)$	1	ω^2	ω	$-\omega$	$-\omega^2$	-1	0
$\chi_3(n)$	1	ω^2	$-\omega$	$-\omega$	ω^2	1	0
$\chi_4(n)$	1	$-\omega$	ω^2	ω^2	$-\omega$	1	0
$\chi_5(n)$	1	$-\omega$	$-\omega^2$	ω^2	ω	-1	0

Here $\omega = e^{\frac{i\pi}{3}}$. When $q = 8$, $\varphi(q) = 4$, we obtain four Dirichlet characters, $\chi_0, \chi_1, \chi_2, \chi_3$.

n	1	2	3	4	5	6	7	8
$\chi_0(n)$	1	0	1	0	1	0	1	0
$\chi_1(n)$	1	0	1	0	-1	0	-1	0
$\chi_2(n)$	1	0	-1	0	1	0	-1	0
$\chi_3(n)$	1	0	-1	0	-1	0	1	0

However, the functional equation for $L(s, \chi)$ will be valid only for primitive characters, so we will define primitive characters.

Definition 5.2 Let $\chi(n)$ be any character mod q other than the principal character. The character $\chi(n)$ is said to be primitive mod q if it has no induced modulus $q_1 < q$. That is, $\chi(n)$ is primitive mod q if and only if for every q_1 that divides q , $0 < q_1 < q$, there exists an integer $a \equiv 1 \pmod{q_1}$,

$(a, q) = 1$ such that $\chi(a) \neq 1$.

We state Lemma 5.4 without proving it.

Lemma 5.4 Every non-principal character $\chi \pmod{p}$ where p is prime is a primitive character \pmod{p} .

Here is an example of a character that is not primitive.

Example: Let χ be the character $\pmod{9}$ given by

n	1	2	3	4	5	6	7	8	9
$\chi(n)$	1	-1	0	1	-1	0	1	-1	0

This particular character is not primitive for the following reason: By the above definition, q_1 that divides 9 such that $0 < q_1 < 9$ are 1 and 3. The principal character, χ_0 is not primitive because 1 is an induced modulus. Now, $q_1 = 3$ is an induced modulus for $\pmod{9}$ so let $a = 4 \equiv 1 \pmod{3}$, $(4, 9) = 1$ but $\chi(4) = -1$. Thus it fails our definition 5.2 so $\chi \pmod{9}$ is not primitive.

Dirichlet L-Functions

After the previous lemmas, we are in the position to officially state the definition of Dirichlet's L-functions. In this section, we are going to prove their convergence

and hence the Euler product formula. The proof follows a similar argument to the case of the Riemann zeta function.

Definition 5.3 Let χ be a Dirichlet character mod q . We define the function $L(s, \chi)$ as

$$L(s, \chi) = \sum_{n=1}^{\infty} \frac{\chi(n)}{n^s} \quad \text{for } s \in \mathbb{C}, \operatorname{Re}(s) = \sigma > 1. \quad (5.2)$$

Theorem 5.1 (Davenport [2]) For $\sigma > 1$,

i) $L(s, \chi)$ converges absolutely.

ii)
$$L(s, \chi) = \prod_p \left(1 - \frac{\chi(p)}{p^s} \right)^{-1}.$$

Proof: To prove absolute convergence, let $\operatorname{Re}(s) = 1 + \varepsilon$,

$\varepsilon > 0$; then

$$\begin{aligned} \left| \sum_{n=N+1}^M \frac{\chi(n)}{n^s} \right| &\leq \sum_{n=N+1}^M \left| \frac{\chi(n)}{n^s} \right| \leq \sum_{n=N+1}^M \frac{1}{n^\sigma} \\ &\leq (N+1)^{-(1+\varepsilon)} \int_{N+1}^M \frac{1}{x^{1+\varepsilon}} dx < (N+1)^{-(1+\varepsilon)} + \varepsilon^{-1} (N+1)^{-\varepsilon}. \end{aligned}$$

We can take ε to be as small as we desire, and by Cauchy's

criterion of convergence, $\sum_{n=1}^{\infty} \frac{\chi(n)}{n^s}$ converges absolutely for

$\operatorname{Re}(s) > 1$ and uniformly for $\operatorname{Re}(s) > 1 + \varepsilon$. In Part ii), the

argument is the same as in the case for the Riemann zeta

function by using part i) and taking the fact that χ is

completely multiplicative. Thus, $L(s, \chi) = \prod_p \left(1 - \frac{\chi(p)}{p^s}\right)^{-1}$.

□

Up to this moment, we have not acquired sufficient tools to prove the functional equation for $L(s, \chi)$, so in the following section we start by providing the tools that will be needed.

Functional Equation of $L(s, \chi)$

In this section, we are going to prove the functional equation for $L(s, \chi)$ which is valid only for primitive characters. Once we have understood the Gauss summation in relation to the characters, the proof follows similarly as the proof for the functional equation for the $\zeta(s)$.

Definition 5.4 Let $\chi(n)$ be any Dirichlet character mod q , we define the Gauss sum related with χ as follow;

$$\begin{aligned}\tau(\chi) &= \chi(1)e_q(1) + \chi(2)e_q(2) + \dots + \chi(m)e_q(m) \\ &= \sum_{m=1}^q \chi(m)e_q(m).\end{aligned}\tag{5.3}$$

This is a linear combination of imaginary exponentials, where $e_q(m)$ is defined by $e_q(m) = e^{2\pi im/q}$.

Lemma 5.5 For any primitive character, $\chi(n)$,

$$\chi(n)\tau(\bar{\chi}) = \sum_{h=1}^q \bar{\chi}(h)e_q(nh). \quad (5.4)$$

Proof: If $(n, q) = 1$, by (5.3), we multiply $\chi(n)$ by $\tau(\bar{\chi})$ which

gives us $\chi(n)\tau(\bar{\chi}) = \sum_{m=1}^q \bar{\chi}(m)\chi(n)e_q(m)$. Let $m \equiv nh \pmod{q}$, and we

note that $\chi(n)\bar{\chi}(n) = 1$. This implies that $\chi(n)\tau(\bar{\chi}) =$

$$\chi(n)\tau(\bar{\chi}) = \sum_{m=1}^q \bar{\chi}(nh)\chi(n)e_q(nh) = \sum_{h=1}^q \bar{\chi}(n)\chi(n)\bar{\chi}(h)e_q(nh) = \sum_{h=1}^q \bar{\chi}(h)e_q(nh).$$

Thus, we get the desired result. It is not difficult to show that it holds whether $(n, q) = 1$ or $(n, q) > 1$.

□

Now, (5.4) can be rewritten as

$$\chi(n) = \frac{1}{\tau(\bar{\chi})} \sum_{m=1}^q \bar{\chi}(m)e_q(mn) \quad (5.5)$$

by replacing h for m , and with $(n, q) = 1$ and assuming

$\tau(\chi) \neq 0$.

Another result we would like to prove is the following proposition.

Proposition 5.1 Let $\chi(n)$ be a primitive character mod q ,

then

$$|\tau(\chi)| = \sqrt{q} \quad (5.6)$$

Proof: To prove this, we use (5.3) to get the following

expression, $|\chi(n)|^2 |\tau(\chi)|^2 = \sum_{h_1=1}^q \sum_{h_2=1}^q \chi(h_1)\chi(h_2)e_q(n(h_1 - h_2))$. We note that each character has $|\chi(n)|=1$ and there exist $\varphi(q)$ in a complete residue class mod q which shows that $|\chi(n)|^2 = \varphi(q)$. Furthermore, the sum for $e_q n(h_1 - h_2)$ is zero unless $h_1 \equiv h_2$. Thus, we get $\varphi(q)|\tau(\chi)|^2 = q\varphi(q)$ which gives (5.6).

□

We now state our goal for this chapter as a theorem, which will require the previous tools to prove it.

Theorem 5.2 The Functional Equation for an L-function:

Let $\chi(n)$ be a primitive character mod q . If

$$\xi(s, \chi) = \left(\frac{\pi}{q}\right)^{-\frac{1}{2}(s+a)} \Pi\left[\frac{1}{2}(s+a-1)\right] L(s, \chi) \quad \text{where } a = \begin{cases} 0 & \text{if } \chi(-1) = 1 \\ 1 & \text{if } \chi(-1) = -1 \end{cases}$$

then $\xi(1-s, \bar{\chi}) = \frac{1}{\tau(\chi)} \xi(s, \chi)$. Here, $\tau(\chi)$ is defined as in (5.3)

We note that $\chi(-1) = \pm 1$ and consider the two cases.

CASE 1: $\chi(-1) = 1$.

The technique here is similar as the one used in proving the functional equation for the Riemann zeta function, $\zeta(s)$.

We recall the result (2.16) from Chapter two, namely,

$$\pi^{-\frac{s}{2}} \Pi\left(\frac{s}{2}-1\right) n^{-s} = \int_0^{\infty} e^{-n^2 \pi x} x^{\frac{s}{2}-1} dx. \quad \text{Let } x = \frac{t}{q} \text{ then } dx = \frac{dt}{q}, \text{ and}$$

substitute into the equation then,

$$\pi^{-\frac{s}{2}} \Pi\left(\frac{s}{2} - 1\right) n^{-s} = \int_0^{\infty} e^{-n^2 \pi \frac{t}{q}} \left(\frac{t}{q}\right)^{\frac{s}{2}-1} \frac{dt}{q} = \int_0^{\infty} e^{-n^2 \pi \frac{t}{q} t^{\frac{s}{2}-1}} q^{-\frac{s}{2}} \frac{dt}{q} =$$

$$q^{\frac{s}{2}} \pi^{-\frac{s}{2}} \Pi\left(\frac{s}{2} - 1\right) n^{-s} = \int_0^{\infty} e^{-n^2 \pi \frac{t}{q} t^{\frac{s}{2}-1}} dt .$$

Replacing t by x we get

$$q^{\frac{s}{2}} \pi^{-\frac{s}{2}} \Pi\left(\frac{s}{2} - 1\right) n^{-s} = \int_0^{\infty} e^{-n^2 \pi \frac{x}{q} x^{\frac{s}{2}-1}} dx . \quad (5.7)$$

We multiply both sides of (5.7) by $\chi(n)$ and sum over n to get

$$q^{\frac{s}{2}} \pi^{-\frac{s}{2}} \Pi\left(\frac{s}{2} - 1\right) L(s, \chi) = \int_0^{\infty} x^{\frac{s}{2}-1} \left(\sum_{n=1}^{\infty} \chi(n) e^{-n^2 \pi \frac{x}{q}} \right) dx \text{ which holds for } \sigma > 1.$$

We note that $\chi(-1) = 1$ tells us that it is an even function.

Since $\psi(x, \chi) = \sum_{-\infty}^{\infty} \chi(n) e^{-n^2 \pi x / q}$ so $\frac{1}{2} \psi(x, \chi) = \sum_{n=1}^{\infty} \chi(n) e^{-n^2 \pi x / q}$, we obtain

$$q^{\frac{s}{2}} \pi^{-\frac{s}{2}} \Pi\left(\frac{s}{2} - 1\right) L(s, \chi) = \frac{1}{2} \int_0^{\infty} x^{\frac{s}{2}-1} \psi(x, \chi) dx . \quad (5.8)$$

Lemma 5.6

$$\tau(\bar{\chi}) \psi(x, \chi) = (q/x) \psi(x^{-1}, \bar{\chi}) \quad (5.9)$$

Proof: This follows from the three elements;

$$\psi(x, \chi) = \sum_{-\infty}^{\infty} \chi(n) e^{-n^2 \pi x / q}, \quad \chi(n) = \frac{1}{\tau(\bar{\chi})} \sum_{m=1}^q \bar{\chi}(m) e_q(mn) \text{ and the general}$$

form of the Theta function,

$$\sum_{-\infty}^{\infty} e^{-(n+\alpha)^2\pi/x} = x^{\frac{1}{2}} \sum_{-\infty}^{\infty} e^{-n^2\pi x + 2\pi i n \alpha} \quad (5.10)$$

(As in Chapter two. the proof of (5.10) follows from

Poisson Summation formula. Moreover, note that when $\alpha = 0$

in (5.8), we get $\psi(x) = \sum_{-\infty}^{\infty} e^{-n^2\pi x} = x^{-\frac{1}{2}}\psi(x^{-1})$ which was used in

proving the functional equation for the zeta-function).

□

We can express (5.9) as $\psi(x, \chi) = \frac{(q/x)}{\tau(\bar{\chi})} \psi(x^{-1}, \bar{\chi})$ and by

$$\frac{1}{2} \psi(x, \chi) = \sum_{n=1}^{\infty} \chi(n) e^{-n^2\pi x/q}, \text{ we obtain. } \frac{1}{2} \psi(x, \chi) + \frac{1}{2} \frac{(q/x)}{\tau(\bar{\chi})} \psi(x^{-1}, \bar{\chi}) =$$

$$\sum_{-\infty}^{\infty} \chi(n) e^{-n^2\pi x/q}. \text{ This allows us to split the integral in (5.8)}$$

as

$$\begin{aligned} q^{\frac{s}{2}} \pi^{-\frac{s}{2}} \Pi\left(\frac{s}{2} - 1\right) L(s, \chi) &= \frac{1}{2} \int_1^{\infty} x^{\frac{s}{2}-1} \psi(x, \chi) dx + \frac{1}{2} \int_1^{\infty} x^{-\frac{s}{2}-\frac{1}{2}} \psi(x^{-1}, \bar{\chi}) dx \\ &= \frac{1}{2} \int_1^{\infty} x^{\frac{s}{2}-1} \psi(x, \chi) dx + \frac{1}{2} \frac{q^{\frac{1}{2}}}{\tau(\bar{\chi})} \int_1^{\infty} x^{-\frac{s}{2}-\frac{1}{2}} \psi(x, \bar{\chi}) dx. \end{aligned}$$

The second line is obtained by expressing $\psi(x^{-1}, \bar{\chi})$ in terms

of $\psi(x, \chi)$. Furthermore, the second expression remains

unchanged when s and χ are replaced by $1-s$ and $\bar{\chi}$,

respectively. The term $\Pi(\frac{s}{2}-1)$ is never zero, which tells us that the last expression is regular. We achieve the functional equation which is the analytic continuation for $L(s, \chi)$, namely;

$$q^{\frac{1}{2}(1-s)} \pi^{-\frac{1}{2}(1-s)} \Pi\left[\frac{1}{2}(-s-1)\right] L(1-s, \chi) = \frac{q^{\frac{1}{2}}}{\tau(\chi)} \pi^{-\frac{s}{2}} \Pi\left(\frac{s}{2}-1\right) L(s, \chi). \quad (5.11)$$

□

We now consider.

CASE 2: $\chi(-1) = -1$.

Proof:

Since $\chi(-1) = -1$ implies that χ is an odd function, in which

case, $\psi(x, \chi) = \sum_{-\infty}^{\infty} \chi(n) e^{-n^2 \pi x / q}$ vanishes. The main technique here

is to replace $\frac{s}{2}-1$ by $\frac{1}{2}(s+1)$ in (5.7). Once the replacement

is done, the argument is similar to the above, so we are

just going to mention important steps. By replacing

$\frac{s}{2}-1$ by $\frac{1}{2}(s+1)$, we get;

$$q^{\frac{1}{2}(s+1)} \pi^{-\frac{1}{2}(s+1)} \Pi\left(\frac{s}{2}\right) n^{-s} = \int_0^{\infty} n e^{-n^2 \pi \frac{x}{q} \frac{s-1}{2}} dx. \quad (5.12)$$

□

In a similar way as in case 1), we multiply both sides

of (5.12) by $\chi(n)$, sum over n and let $\psi_1(x, \chi) = \sum_{-\infty}^{\infty} n\chi(n)e^{-n^2\pi\frac{x}{q}}$ to obtain the following expression,

$$q^{\frac{1}{2}(s+1)}\pi^{-\frac{1}{2}(s+1)}\Pi\left(\frac{s}{2}\right)L(s, \chi) = \int_0^{\infty} \psi_1(x, \chi)x^{\frac{s}{2}-\frac{1}{2}}dx. \quad (5.13)$$

Lemma 5.7

$$\tau(\bar{\chi})\psi_1(x, \chi) = i(q/x)^{3/2}\psi_1(x^{-1}, \bar{\chi}) \quad (5.14)$$

Proof: The important technique here is to take the derivative of the generalized Theta function (5.10),

$$y^{-\frac{1}{2}}\sum_{-\infty}^{\infty} e^{-(n+\alpha)^2\pi/y} = \sum_{-\infty}^{\infty} e^{-n^2\pi y+2\pi i n\alpha}$$

with respect to α and note that

the derivatives of its series converge uniformly. We use $\psi_1(x, \chi)$ and $\tau(\bar{\chi})$ as in Lemma 5.6 and it will not be too difficult to see that we can get $\tau(\bar{\chi})\psi_1(x, \chi) = i(q/x)^{3/2}\psi_1(x^{-1}, \bar{\chi})$.

□

Similarly as in case 1), the integral in (5.13) can be separated as

$$\begin{aligned} q^{\frac{1}{2}(s+1)}\pi^{-\frac{1}{2}(s+1)}\Pi\left(\frac{s}{2}\right)L(s, \chi) &= \frac{1}{2}\int_1^{\infty} \psi_1(x, \chi)x^{\frac{s}{2}-\frac{1}{2}}dx + \frac{1}{2}\int_1^{\infty} \psi_1(x^{-1}, \bar{\chi})x^{\frac{s}{2}-\frac{1}{2}}dx \\ &= \frac{1}{2}\int_1^{\infty} \psi_1(x, \chi)x^{\frac{s}{2}-\frac{1}{2}}dx + \frac{1}{2}\frac{iq^2}{\tau(\bar{\chi})}\int_1^{\infty} \psi_1(x, \bar{\chi})x^{-\frac{s}{2}}dx \end{aligned}$$

Thus, the last expression remains unchanged with the substitution of s for $1-s$. So, we obtain the other functional equation for the case $\chi(-1) = -1$, that is;

$$q^{\frac{1}{2}(2-s)} \pi^{-\frac{1}{2}(2-s)} \Pi\left(\frac{1}{2}(1-s)\right) L(1-s, \bar{\chi}) = \frac{iq^{\frac{1}{2}}}{\tau(\bar{\chi})} q^{\frac{1}{2}(s+1)} \pi^{-\frac{1}{2}(s+1)} \Pi\left(\frac{s}{2}\right) L(s, \chi). \quad (5.15)$$

We recall the functional equation for the case 1), (5.11)

$$q^{\frac{1}{2}(1-s)} \pi^{-\frac{1}{2}(1-s)} \Pi\left[\frac{1}{2}(-s-1)\right] L(1-s, \chi) = \frac{q^{\frac{1}{2}}}{\tau(\chi)} \pi^{-\frac{s}{2}} q^{\frac{s}{2}} \Pi\left(\frac{s}{2}-1\right) L(s, \chi). \quad \text{So, we}$$

join both (5.11) and (5.15) by $a = \begin{cases} 0 & \text{if } \chi(-1) = 1 \\ 1 & \text{if } \chi(-1) = -1 \end{cases}$. As a

result, the functional equation for Dirichlet L-function is

obtained; namely, if $\xi(s, \chi) = \left(\frac{\pi}{q}\right)^{-\frac{1}{2}(s+a)} \Pi\left[\frac{1}{2}s + a - 1\right] L(s, \chi)$ then

$$\xi(1-s, \bar{\chi}) = \frac{i^a q^{\frac{1}{2}}}{\tau(\chi)} \xi(s, \chi).$$

□

REFERENCES

- [1] Apostol, Tom M., "Introduction to Analytic Number Theory." Springer-Verlag New York 1976.
- [2] Davenport, Harold. "Multiplicative Number Theory." Spring-Verlag New York, Heidelber, Berlin, 2000.
- [3] Derbyshire, John, "Prime Obsession." Joseph Henry Press, Washington, D.C. 2003.
- [4] E. C. Titchmarsh, "The Theory of the Riemann Zeta-Function." Oxford Univ. Press, London and New York, 1951.
- [5] E. Ingham, M.A., "The Distribution of Prime Numbers." Stecher-Harner Service Agency, New York and London 1964.
- [6] Edwards, H.M., "Riemann's Zeta Function." Dover Publications, inc. Mineola, New York 1974.
- [7] Fern, William and Ellison, "Prime Numbers." John Wiley and Sons, Inc. New York.
- [8] Gelbart S. Stephen, Miller D. Stephen, "Riemann's zeta function and beyond." Bulletin of American Mathematical Society (AMS). Jan, 2004 Vol 41, No.1 (pg.59-112)
- [9] Saff, E.B., Snider, A.D., "Fundamentals of Complex

Analysis for Mathematics, Science, and Engineering."
Prentice-Hall, Inc, Englewood Cliffs, New Jersey,
1976.