

NASA TM-85997

NASA Technical Memorandum 85997

NASA-TM-85997 19840026624

FOR REFERENCE

NOT TO BE TAKEN FROM THE ROOM

Three-Dimensional Laser Doppler Anemometer Measurements of a Jet in a Crossflow

Philip Snyder and Kenneth L. Orloff

LIBRARY COPY

SEP 20 1984

LANGLEY RESEARCH CENTER
LIBRARY, NASA
HAMPTON, VIRGINIA

September 1984

NASA
National Aeronautics and
Space Administration



NE00848

Three-Dimensional Laser Doppler Anemometer Measurements of a Jet in a Crossflow

Philip Snyder

Kenneth L. Orloff, Ames Research Center, Moffett Field, California



National Aeronautics and
Space Administration

Ames Research Center
Moffett Field California 94035

SUMMARY

A three-dimensional laser Doppler anemometer (3D-LDA) was used in a wind tunnel to measure a jet in a crossflow. Measurements were made in the vicinity of a 5-cm-diam jet which issued normally into a 10.65 m/sec wind tunnel crossflow; the velocity ratio V_{jet}/V_{inf} was 8. Detailed lateral surveys were made at two elevations ($z = 1$ cm and 2 cm); both elevations were within the region affected by the boundary layer on the plate. The results are believed to provide reliable velocity field information in the boundary layer of the jet in a crossflow. Turbulence information also is available and believed to be roughly correct, although it may be subject to broadening effects for the lower values of turbulence. A weak vortex pair was observed in the wake at the plate surface. This structure existed in the boundary layer and built confidence because the 3D-LDA was, indeed, able to resolve fine detail in the wake. The capabilities of the 3D-LDA not only allow the making of velocity surveys, but can be utilized to follow mean streamlines in the flow. Using a specialized algorithm, it was possible to reconstruct streamlines originating upstream on a lateral line at elevations of 2, 5, and 10 cm. The results show symmetry about the jet and rollup of the contrarotating vortices. All the velocities along the streamlines are recorded.

INTRODUCTION

Previous investigations of the velocity field of a subsonic jet in a crossflow have provided data defining the plume and trajectory of the jet. Measurements using various techniques have provided information for jet velocity ratios from 3 to 10, and have located the jet centerline and the vortex curve (refs. 1-5). Some progress has been made in documenting the structure of the counter-rotating vortices which has provided data required for developing more sophisticated models as well as for validating codes that predict the velocity field in the plume.

For the most part, efforts have been directed at predicting the pressure distributions on the surrounding surfaces of the jet, in this case a flat plate; so there is considerable interest among researchers in obtaining velocity field data near the plate itself, especially in the boundary layer. The near wake region is of particular interest because models are consistently unable to accurately predict the surface pressures in this highly viscous area. Unfortunately, very little data have been available because of the difficulty in making three-dimensional velocity and turbulence measurements with most instruments. Measurements near the plate are difficult to make with pressure probes because of their intrusive nature and inability to resolve velocities in arbitrary directions. Similarly, hot wire sensors are cumbersome, inherently limited in directional sensitivity, and difficult to interpret in high turbulence. A very desirable solution is to use a three-dimensional laser anemometer which overcomes the problems of flow disturbance, probe size, and directional sensitivity.

N84-34695 #

A three-dimensional laser Doppler anemometer (3D-LDA) for use in the NASA 7- by 10-Foot Wind Tunnel Facility at Ames Research Center has been under development since 1980. A first attempt at making measurements in a jet-in-a-crossflow model is described in references 6 and 7. Although the 1980 effort was not successful in providing high quality quantitative measurements, it did nevertheless provide essential information for optimizing the performance of the instrument; the data in this report represent a more recent application of the 3D-LDA. Since 1980, many changes have been made to the optical and electronic systems to improve the quality of the Doppler signals. In addition, the development of a calibration technique and incorporation of a sampling theory into the 3D-LDA software have helped reduce the uncertainties in the measurements and build confidence in the instrument (ref. 8).

Measurements were made in the vicinity of a 5-cm-diam jet which issued normally into a 10.65 m/sec wind tunnel crossflow; the velocity ratio V_{jet}/V_{inf} was 8. Detailed lateral surveys were made at two elevations ($z = 1$ cm and 2 cm); both elevations were within the region affected by the boundary layer on the plate. The area of interest extended from 5 cm upstream of the jet to 40 cm downstream, with an emphasis on the region near the jet wake. Other measurements were made to show specific details in the wake. The boundary layers were also documented at several locations.

The capabilities of the 3D-LDA not only allow the making of velocity surveys, but can be utilized to follow mean streamlines in the flow. An algorithm for using the 3D-LDA to determine a mean streamline is described in references 9 and 10. Using this algorithm, it was possible to reconstruct streamlines originating upstream on a lateral line at elevations of 2, 5, and 10 cm. The results show symmetry about the jet and rollup of the contrarotating vortices. All the velocities along the streamlines are recorded.

3D-LDA AND SIGNAL PROCESSING

The optical layout of the 3D-LDA is shown in figure 1. The system can be thought of as two discrete systems that intersect their measuring volumes at precisely the same point. Each backscatter-type LDA system has zoom optics which allow scanning of the test point over a range of approximately 2 m. The probe volumes are approximately 1.5 mm long and 0.2 mm in diameter. A lower two-channel system directly measures a U and W component of velocity with the violet and green channels respectively. An upper single-channel system (blue) is coupled to the V and W velocity components by orienting its axis at a coupling angle of nominally 17° from the lower channels. In this arrangement, the V-component of velocity can be determined using measurements from the upper blue channel and lower green channel. Scanning and tracking of all channels to maintain the overlap of the probe volumes is accomplished under computer control using stepper motors and encoder feedback.

A block diagram of the 3D-LDA electronic and computer systems is illustrated in figure 2. Signal processing is accomplished with three counter-type processors and computer-controlled frequency downmixers. This combination is significant in that special care has been taken to ensure that the highest possible signal-to-noise ratio is available for the counters. Briefly, the counters have been adjusted to accept signals within a specified bandwidth; for example, the violet channel was set to accept signals between 4 and 8 MHz—a 4 MHz bandwidth. This bandwidth is narrow enough to reject a sufficient amount of noise to ensure a clean Doppler burst before processing occurs. However, the range of velocities encountered during a survey of

the flow field may cause the signal frequency to move outside of the 4 MHz range. To overcome this problem, the computer adjusts a programmable local oscillator so that the mean signal is always downmixed to the center frequency inside the 4 MHz range.

The advantages of computer-controlled downmixing are (1) a higher signal-to-noise ratio than otherwise possible, and (2) a small, predictable clock error in the processor because only a small range of frequencies is measured. The only requirement is that the bandwidth be sufficient to accept the range of frequencies resulting from turbulence in the flow field. Should the turbulence span a range larger than the available bandwidth, the results would be in error because the processor would be biased toward those velocities falling inside the bandwidth. In the present experiment, bandwidths were typically 4 MHz on blue and violet, and 8 MHz on green. It was necessary to avoid acquiring data too near the shear layer in the wake of the jet because these areas were extremely turbulent. However, the turbulence level of most of the data in this report was low enough to fall within the specified bandwidths. A complete explanation of this frequency downmixing technique will be the subject of a future report.

In order to minimize the systematic uncertainties in the 3D-LDA, it is calibrated as a function of range using a spinning disc device capable of simulating very accurate velocities with a magnitude and direction accurate to 0.1% and 0.1°, respectively. Laboratory tests have confirmed that this technique yields 3D-LDA measurements of U and W to within 1% of the resultant vector magnitude, and V (the difficult component) to within 2%.

MODEL INSTALLATION AND EXPERIMENT

The jet-in-a-crossflow test was performed in the NASA 7- by 10-Foot Wind Tunnel Facility at Ames Research Center. The 3D-LDA is designed specifically for this wind tunnel in that the instrument is optimized for a 2-m range about the wind tunnel centerline. The 3D-LDA is arranged for optical access through a single window on one side of the test section. Figure 3 shows the basic arrangement of the 3D-LDA relative to the wind tunnel and the jet-in-a-crossflow model. The plate was located at the wind tunnel centerline. A jet emanated from a 5.08 cm diam jet nozzle that was mounted flush to the surface of a 0.91- by 1.22-m plate with faired leading and trailing edges. A plenum and a 16:1 convergent nozzle were suspended beneath the plate to provide an air jet of uniform velocity profile perpendicular to the flat plate. A fairing surrounded the plenum.

Measurements very near the surface of the plate were made possible with the 3D-LDA by installing a large front surface mirror on the plate surrounding the jet. This minimized unwanted scattered light near the plate. Care was taken to fair the front edge of the mirror to avoid disturbing the air flow. Also, the 3D-LDA was tilted slightly so that the lowest beam was parallel to the surface, allowing the probe volume to translate to the plate surface if necessary. Velocities were corrected for the small tilt angle during initial calibration of the 3D-LDA.

Seeding was introduced into the wind tunnel downstream of the test section. A fluid atomizer, using mineral oil and shop air, provided an adequate amount of seeding for the closed circuit wind tunnel. The mean particle size was 2-3 μm .

Test conditions were established at a velocity ratio $R = 8$ by setting the jet speed at 85 m/sec and the wind tunnel crossflow at 10.65 m/sec. Jet and wind tunnel speeds were set and monitored using water micromanometers. It was possible to hold

the jet speed to less than 1% error. However, the wind tunnel speed was often difficult to hold constant and was found to vary as much as 5%. The velocity ratio is therefore estimated to have been between 7.6 and 8.4.

DATA REDUCTION AND PRESENTATION

Full advantage was taken of the capabilities of a high speed computer with full graphics capability on two screens. One screen was dedicated to displaying histogram information of the incoming data to ensure that only high quality data were being processed. Statistical information for all three channels was also displayed informing the engineer of the current mean, standard deviation, and number of samples desired and presently acquired. A second screen displayed two horizontal survey lines showing vector projections in two views as the data were made available for plotting. This near real-time display of data from the 3D-LDA helped ensure that all equipment was operating properly during a survey. When streamlines were measured, the second screen showed two views of the streamline as it was developing. This was particularly important in that a problem could be detected very quickly, seen as a loss in continuity of the streamline.

The data acquisition software was designed to incorporate a constant error measurement concept described in reference 8. Among the user input parameters was the option to specify a maximum allowable error (all errors were estimated with a 95% confidence level) in terms of: (1) a velocity component magnitude, or (2) an angle error for the vector projections in any plane. Once this parameter was specified, the computer would acquire batches of data, compute the flow statistics, and then make an estimate as to the number of data samples required so as not to exceed the specified error. Estimates were revised as the data were acquired to ensure that the minimum number of samples of data were being taken as determined from the most recently available statistics. In practice, the tolerance parameter was held to 0.5 m/sec whenever possible. In many highly turbulent regions, sample sizes would often exceed 1500 if this tolerance was maintained. In these instances the requirements were relaxed by changing the tolerances to 0.75 or 1 m/sec as necessary. In the case of streamline tracing, angle errors were specified not to exceed 10° in vector projections of interest (a head-on view of a vector is not considered to be a projection of interest).

The sampling statistics are available for the data herein as standard deviations of each velocity component, the number of samples acquired, and the errors in the vector projections in respective planes. One should be aware that only the standard deviations for U and W are related to the turbulence, RMS u' and RMS w'. The standard deviation for the V-component is not the turbulence in that direction because the distribution of V has been broadened (caused by randomly sampled nonorthogonal data being transformed to an orthogonal frame of reference). The number of samples in each channel varied slightly so an average number of samples (N_{avg}) has been listed for computing confidence intervals. The 95% confidence intervals for the mean values of U, V, and W may be computed; for example, for the U component:

$$\bar{U}_m - \Delta U < \bar{U} < \bar{U}_m + \Delta U$$

where $\bar{U}_m \equiv$ measured mean velocity, and $\Delta U \equiv 1.96 Su/\sqrt{N}$.

The velocity surveys are summarized in appendix A, table A-1, and detailed in appendix A; while the streamlines are summarized in appendix B, table B-1, and

detailed in appendix B. Representative vector plots and streamline plots are presented in figures 4 through 16 for quick visualization of the available data. The bulk of the survey data is shown in the x-y view in figures 4 through 7. Several selected runs from the survey data are shown in figures 8 and 9 to give the reader a feeling for the vertical flow about the jet. Most of the data are considered to be of good quality, based on judgments concerning the operation of the 3D-LDA and its associated electronic hardware and software. All the data were derived from distributions of velocity which were considered to be of good quality, as evidenced by on-line display of histograms. Possible exceptions are runs DAT14 through DAT17, which show a slight bias toward the positive V-direction near centerline. These runs have been included because the cause of the bias is not certain; the bias is not seen in runs on the 2 cm plane.

Figures 10 and 11 show additional data plotted in the z-x plane of symmetry ($x = 0$). The jet centerline, as calculated from reference 5, is drawn in for comparison. In figure 11, streamline velocity information at $x = 0$ has been cross plotted to give a more complete picture of the flow patterns in the z-x cross section.

As data were being acquired at the $z = 1$ cm and $z = 2$ cm elevations, it became apparent that some fine structures might exist near the plate surface in the wake region. Additional surveys were made in order to provide some detail in the wake at $x = 5$ cm and $x = 10$ cm. Figure 12 shows evidence of a weak vortex pair in the wake. Flow is apparently being pumped down toward the plate by the action of two weak vortices; this can be further visualized by studying figure 11 and the streamlines in figure 16.

Streamline traces are presented in figures 13 through 16 for the purpose of visualizing the entrainment of the flow about the jet. Each figure shows a set of streamlines which originated on a line 5 cm upstream of the jet centerline at a unique elevation. Figure 13 shows a streamline which was retraced in the reverse direction, which gives some indication of the ability of the 3D-LDA to resolve a streamline. The development of the vortex plume is seen by the entrainment of flow into the immediate wake of the jet. Streamlines which originate farther from the jet eventually cease to be entrained and become part of a far wake system consisting of an upward rising flow focused toward the plane of symmetry.

CONCLUSIONS

It was possible to acquire three-dimensional laser Doppler anemometer data near the plate and in the wake of the jet in a crossflow. Velocity surveys in the lateral direction were taken over two planes at elevations of 1 and 2 cm. They required anywhere from 5 to 30 min to complete, depending on the degree of turbulence in the flow. Although not an unreasonable amount of time, much was lost in slow data transfers in the computer interface. It is anticipated that the survey time could be reduced by an order of magnitude after improvements are made to the data acquisition hardware.

The results are believed to provide reliable velocity field information in the boundary layer of the jet in a crossflow. Turbulence information in the u and w directions is also available and believed to be roughly correct, although it may be subject to broadening effects for the lower values of turbulence. A weak vortex pair was observed in the wake at the plate surface. This structure existed in the boundary layer and built confidence because the 3D-LDA was, indeed, able to resolve fine detail in the wake.

The 3D-LDA proved to be a useful tool for visualizing the streamlines about the jet and studying jet entrainment. The resulting streamlines show the entrainment of the flow into the wake of the jet, and then either into the jet itself or into the far wake. The results seem reasonable considering the remarkable lateral symmetry that was obtained in such a turbulent flow. Also, the existence of plume vortices would be consistent with the flow patterns which were observed.

Certain limitations in the usefulness of the 3D-LDA were observed. The jet itself was difficult to survey because of the steep shear layer near the plate surface. It was impossible to acquire accurate 3D velocities because the shear layer thickness was on the order of the size of the probe volume. This created ambiguity in the measurements of the shear layer velocity components. It was, therefore, concluded that the instrument would not be useful in high shears of such a small scale. Other limitations in the electronics did not allow a fine enough adjustment of the filters, so regions of higher turbulence could not be measured without biasing. Data suspect of biasing were edited using turbulence level as a criterion. This problem could be remedied by a change in the design of the filter banks.

Time and scope did not allow for investigation of the complete jet in a cross-flow; however, considering the above limitations, it should be possible to use the 3D-LDA technique to document the complete velocity field.

APPENDIX A

VELOCITY SURVEYS

File: DAT

DATA FILE KEY

Xcm x-coordinate of data (streamwise) in cm
Ycm y-coordinate of data (lateral) in cm
Zcm z-coordinate of data (vertical along jet) in cm

Um/s mean streamwise velocity component in m/sec
Vm/s mean lateral velocity component in m/sec
Wm/s mean vertical velocity component in m/sec

Su standard deviation of distribution of U velocities in m/sec
Sv standard deviation of distribution of V velocities in m/sec
Sw standard deviation of distribution of W velocities in m/sec

DELxy error in direction of vector projected in x-y plane in degrees
DELYz error in direction of vector projected in y-z plane in degrees
DELzx error in direction of vector projected in z-x plane in degrees

Navg average number of samples acquired from the blue, green, and violet channels of the 3D-LDA

TABLE A-1.- SUMMARY OF VELOCITY SURVEYS

Run no.	X cm	Y cm	Z cm	Run no.	X cm	Y cm	Z cm		
DAT01	-5.0	-8→8	1.0	DAT44	-2.7	-8→8	0.2	} additional runs to visualize y-z cross sections in wake	
DAT02	-4.5	-5→5	1.0	DAT45	5.0	-5→5	.2		
DAT03	-4.0	-5→5	1.0	DAT46	5.0	-10→2	.2		
DAT04	-3.5	-5→5	1.0	DAT47	5.0	-5→5	.5		
DAT05	-3.0	-4.5→4.5	1.0	DAT48	10.0	-10→10	.5		
DAT06	-2.7	0→10	1.0	DAT49	20.0	-10→8	.5		
DAT07	-2.0	0→10	1.0	DAT50	5.0	-5→5	.75		
DAT08	-1.0	1.5→10	1.0	DAT51	5.0	-8→8	1.5		
DAT09	0	10→2.8	1.0	DAT52	10.0	-3.5→3.5	1.5		
DAT10	1.0	10→2.5	1.0	DAT53	20.0	-10→10	1.5		
DAT11	2.0	10→2.0	1.0	DAT54	5.0	-8→8	3.0		
DAT12	2.5	-7→7	1.0	DAT55	10.0	-8→8	3.0		
DAT13	3.0	-8→5	1.0						
DAT14	4.0	-8→8	1.0	DAT56	-10	-10→10	15		} miscellaneous
DAT15	5.0	-5→5	1.0	DAT57	10	-10→0	4.0		
DAT16	6.0	-8→8	1.0	DAT58	10	-10→10	4.0		
DAT17	7.5	-15→15	1.0						
DAT18	10.0	-10→10	1.0	DAT59	-8→24	0	20	} x-surveys	
DAT19	15.0	-10→10	1.0	DAT60	-5→44	0	40		
DAT20	20.0	-10→10	1.0	DAT61	-4.0	-10→10	5.0		
DAT21	25.0	-15→14	1.0						
DAT22	30.0	-20→20	1.0	DAT62	-7.5	0	0→4	} z-surveys boundary layers jet on	
DAT23	35.5	-25→25	1.0	DAT63	0	7.5	0→4		
				DAT64	-7.5	0	0→4.5	} boundary layers jet off	
DAT24	-5.0	-7→7	2.0	DAT65	7.5	0	0→4.5		
DAT25	-4.0	-7→7	2.0	DAT66	7.5	10	0→4		
DAT26	-3.0	-8→8	2.0						
DAT27	-2.7	-8→8	2.0						
DAT28	-2.0	8→2	2.0						
DAT29	-1.0	8→2.5	2.0						
DAT30	0	8→3.0	2.0						
DAT31	1.0	8→2.7	2.0						
DAT32	2.0	8→1.8	2.0						
DAT33	2.5	8→0	2.0						
DAT34	3.0	-8→9	2.0						
DAT35	4.0	-10→10	2.0						
DAT36	5.0	-10→10	2.0						
DAT37	7.5	-10→10	2.0						
DAT38	10.0	-12→12	2.0						
DAT39	15.0	-12→12	2.0						
DAT40	20.0	-15→15	2.0						
DAT41	25.0	-14→14	2.0						
DAT42	30.0	-24→24	2.0						
DAT43	40.0	-24→24	2.0						

FILE: DAT01

No.	Xcm DELxy	Ycm DELyz	Zcm DELzx	Um/s Navg	Vm/s	Wm/s	Su	Sv	Sw
1	-05.01 +002.1	-07.99 +086.1	+01.01 +000.5	+13.05 0193	+00.11	-00.24	+00.96	+03.40	+00.84
2	-05.01 +001.9	-06.99 +074.8	+01.01 +000.5	+13.05 0191	+00.08	-00.29	+01.07	+03.02	+00.78
3	-05.01 +002.0	-05.99 +016.9	+01.00 +000.5	+12.67 0189	-00.74	-00.24	+01.17	+03.12	+00.76
4	-05.01 +002.0	-04.99 +008.5	+01.00 +000.5	+12.71 0191	-01.33	-00.30	+00.97	+03.24	+00.80
5	-05.01 +001.6	-03.99 +008.7	+01.00 +000.4	+12.20 0359	-01.14	-00.42	+00.94	+03.14	+00.70
6	-05.01 +002.0	-02.99 +006.7	+00.99 +000.5	+11.21 0363	-01.50	-00.40	+01.12	+03.44	+00.82
7	-05.01 +001.8	-01.99 +005.2	+00.99 +000.5	+10.80 0354	-01.76	-00.46	+00.96	+03.13	+00.80
8	-05.01 +002.2	-00.99 +007.9	+00.99 +000.5	+09.45 0364	-01.36	-00.49	+01.23	+03.48	+00.77
9	-05.01 +002.3	+00.01 +029.4	+00.98 +000.6	+09.55 0353	+00.21	-00.60	+01.01	+03.36	+00.90
10	-05.01 +002.1	+01.01 +009.5	+00.98 +000.5	+10.07 0359	+00.81	-00.61	+01.10	+03.27	+00.80
11	-05.01 +002.1	+02.01 +003.6	+00.97 +000.5	+11.00 0354	+01.27	-00.46	+00.98	+03.52	+00.84
12	-05.01 +002.0	+03.01 +001.8	+00.97 +000.5	+11.65 0354	+01.91	-00.44	+01.10	+03.58	+00.82
13	-05.01 +001.8	+04.01 +003.0	+00.97 +000.4	+12.00 0358	+01.28	-00.40	+01.01	+03.25	+00.76
14	-05.01 +001.8	+05.01 +002.6	+00.96 +000.4	+12.53 0354	+01.26	-00.35	+01.04	+03.38	+00.86
15	-05.01 +001.8	+06.01 +004.6	+00.96 +000.4	+12.79 0192	+00.81	-00.25	+01.06	+02.82	+00.70
16	-05.01 +002.0	+07.01 +008.7	+00.96 +000.5	+12.81 0190	+00.58	-00.22	+00.98	+03.17	+00.79
17	-05.01 +002.1	+08.01 +073.1	+00.96 +000.5	+12.91 0190	-00.21	-00.10	+00.96	+03.36	+00.81

FILE:DRT02

No.	Xcm DELxy	Ycm DELyz	Zcm DELzx	Um/s Navg	Vm/s	Wm/s	Su	Sv	Sw
1	-04.51 +002.2	-04.99 +006.0	+01.01 +000.5	+12.70 0196	-01.56	-00.24	+01.14	+03.55	+00.74
2	-04.51 +001.8	-04.49 +004.3	+01.01 +000.4	+12.75 0350	-01.85	-00.29	+00.88	+03.31	+00.71
3	-04.51 +002.0	-03.99 +010.2	+01.00 +000.3	+12.36 0707	-01.11	-00.47	+00.87	+03.79	+00.79
4	-04.51 +002.3	-03.49 +006.5	+01.00 +000.5	+12.15 0193	-01.95	-00.58	+00.98	+03.58	+00.74
5	-04.51 +001.9	-02.99 +004.6	+01.00 +000.4	+12.44 0359	-02.15	-00.55	+00.67	+03.80	+00.80
6	-04.51 +002.2	-02.49 +006.7	+00.99 +000.5	+11.87 0190	-01.87	-00.60	+00.84	+03.31	+00.73
7	-04.51 +002.1	-01.99 +003.9	+00.99 +000.5	+10.33 0357	-02.40	-00.60	+00.92	+03.32	+00.67
8	-04.51 +002.0	-01.49 +004.6	+00.99 +000.5	+10.20 0351	-02.07	-00.60	+00.86	+03.15	+00.68
9	-04.51 +002.5	-00.99 +010.1	+00.99 +000.6	+09.26 0349	-01.27	-00.58	+00.97	+03.49	+00.76
10	-04.51 +002.5	-00.49 +025.9	+00.98 +000.5	+09.49 0349	-00.40	-00.80	+00.96	+03.55	+00.75
11	-04.51 +003.0	+00.01 +037.6	+00.98 +000.6	+09.29 0192	-00.09	-00.75	+01.01	+03.47	+00.64
12	-04.51 +002.1	+00.51 +012.1	+00.98 +000.4	+09.80 0355	+00.74	-00.75	+00.86	+03.07	+00.66
13	-04.51 +002.2	+01.01 +003.6	+00.97 +000.4	+10.09 0353	+01.74	-00.77	+00.82	+03.39	+00.62
14	-04.51 +001.7	+01.51 +003.9	+00.97 +000.3	+11.27 0343	+01.46	-00.63	+00.68	+02.95	+00.53
15	-04.51 +002.2	+02.01 +002.2	+00.97 +000.5	+10.93 0359	+02.01	-00.57	+01.00	+03.71	+00.74
16	-04.51 +002.0	+02.51 +002.8	+00.96 +000.4	+12.42 0189	+01.88	-00.61	+00.83	+03.12	+00.61
17	-04.51 +001.7	+03.01 +002.0	+00.96 +000.4	+12.87 0342	+01.79	-00.45	+00.75	+03.33	+00.66
18	-04.51 +001.6	+03.51 +002.0	+00.96 +000.3	+12.98 0356	+01.78	-00.47	+00.71	+03.34	+00.71
19	-04.51 +001.8	+04.01 +002.1	+00.95 +000.4	+12.82 0355	+01.70	-00.44	+00.81	+03.42	+00.68

.

20	-04.51	+04.51	+00.95	+12.95	+01.98	-00.42	+00.94	+03.44	+00.63
	+002.1	+002.1	+000.4	0192					

21	-04.51	+05.01	+00.95	+13.58	+01.17	-00.33	+00.74	+03.47	+00.63
	+002.0	+004.4	+000.4	0192					

FILE:DAT03

No.	Xcm DELxy	Ycm DELyz	Zcm DELzx	Um/s Navg	Vm/s	Wm/s	Su	Sv	Sw
1	-04.01 +002.1	-04.96 +007.2	+01.00 +000.5	+11.76 0188	-01.41	-00.28	+01.07	+03.06	+00.75
2	-04.01 +002.5	-03.96 +004.6	+01.00 +000.6	+11.14 0191	-02.10	-00.29	+01.31	+03.58	+00.79
3	-04.01 +001.9	-02.96 +004.8	+01.00 +000.5	+10.40 0357	-02.04	-00.61	+01.00	+03.28	+00.83
4	-04.01 +002.2	-01.96 +005.3	+00.99 +000.6	+09.31 0357	-02.11	-00.80	+01.04	+03.43	+00.86
5	-04.01 +002.4	-00.96 +007.2	+00.99 +000.6	+08.07 0353	-01.57	-00.84	+00.92	+03.18	+00.68
6	-04.01 +003.8	+00.04 +036.9	+00.98 +000.8	+07.68 0191	+00.03	-00.79	+01.22	+03.58	+00.81
7	-04.01 +003.0	+01.04 +003.1	+00.98 +000.7	+08.72 0190	+02.02	-00.78	+01.09	+03.41	+00.77
8	-04.01 +002.6	+02.04 +001.5	+00.98 +000.6	+10.05 0191	+02.81	-00.68	+01.20	+03.43	+00.75
9	-04.01 +001.8	+03.04 +001.4	+00.97 +000.5	+11.37 0350	+02.12	-00.50	+00.89	+03.24	+00.72
10	-04.01 +001.8	+04.04 +001.5	+00.97 +000.4	+11.79 0358	+01.99	-00.36	+00.87	+03.45	+00.78
11	-04.01 +001.7	+05.04 +003.4	+00.97 +000.4	+12.21 0353	+00.81	-00.17	+00.81	+03.14	+00.72

FILE:DAT04

No.	Xcm DELxy	Ycm DELyz	Zcm DELzx	Um/s Navg	Vm/s	Wm/s	Su	Sv	Sw
1	-03.50 +001.5	-04.99 +008.2	+01.01 +000.3	+12.39 0352	-01.14	-00.42	+00.77	+02.88	+00.61
2	-03.50 +001.8	-03.99 +003.5	+01.01 +000.4	+12.52 0357	-02.37	-00.43	+01.03	+03.49	+00.82
3	-03.50 +002.1	-02.99 +003.0	+01.00 +000.5	+12.13 0348	-03.18	-00.61	+01.01	+03.87	+00.82
4	-03.50 +002.5	-01.99 +003.8	+00.99 +000.6	+10.26 0346	-03.21	-00.95	+01.00	+03.63	+00.86
5	-03.50 +003.5	-00.99 +014.6	+00.99 +000.6	+07.76 0346	-00.98	-01.39	+00.94	+03.54	+00.68
6	-03.50 +003.1	+00.01 +006.5	+00.98 +000.6	+07.35 0349	+01.56	-01.47	+00.96	+03.24	+00.68
7	-03.50 +002.2	+01.01 +001.3	+00.98 +000.5	+08.82 0513	+03.93	-01.28	+00.91	+04.02	+00.73
8	-03.50 +001.9	+02.01 +000.8	+00.97 +000.4	+10.84 0348	+04.41	-00.93	+00.95	+03.52	+00.73
9	-03.50 +001.7	+03.01 +001.0	+00.96 +000.4	+12.85 0342	+03.19	-00.61	+00.75	+03.20	+00.72
10	-03.50 +001.6	+04.01 +001.9	+00.96 +000.3	+13.13 0349	+01.62	-00.36	+00.84	+03.09	+00.68
11	-03.50 +001.7	+05.01 +002.2	+00.95 +000.3	+13.22 0346	+01.38	-00.26	+00.76	+03.34	+00.62

FILE:DAT05

No.	Xcm DELxy	Ycm DELyz	Zcm DELzx	Um/s Navg	Vm/s	Wm/s	Su	Sv	Sw
1	-02.99 +002.1	-04.48 +003.3	+01.00 +000.4	+12.72 0381	-02.32	-00.24	+01.87	+04.81	+00.97
2	-02.99 +002.2	-03.98 +003.2	+01.00 +000.5	+12.52 0376	-02.83	-00.32	+02.36	+04.98	+01.12
3	-02.99 +002.2	-03.48 +002.7	+01.00 +000.6	+12.07 0380	-03.65	-00.49	+02.49	+05.09	+01.18
4	-02.99 +002.5	-02.98 +002.5	+00.99 +000.6	+11.64 0381	-04.28	-00.61	+02.30	+05.63	+01.25
5	-02.99 +002.4	-02.48 +002.0	+00.99 +000.7	+10.64 0378	-05.44	-00.66	+02.19	+05.43	+01.31
6	-02.99 +002.5	-01.98 +002.1	+00.98 +000.9	+09.43 0380	-06.04	-01.00	+01.74	+05.69	+01.42
7	-02.99 +002.9	-01.48 +002.9	+00.98 +001.0	+07.89 0378	-05.25	-01.58	+01.86	+05.65	+01.31
8	-02.99 +004.3	-00.98 +005.3	+00.97 +001.4	+06.16 0381	-03.82	-01.75	+01.90	+06.31	+01.55
9	-02.99 +005.7	-00.48 +010.2	+00.97 +001.7	+05.13 0379	-02.03	-02.01	+01.91	+05.91	+01.51
10	-02.99 +007.6	+00.02 +009.6	+00.97 +002.1	+04.74 0380	+01.76	-02.34	+02.72	+07.06	+01.66
11	-02.99 +004.9	+00.52 +004.1	+00.96 +001.6	+05.84 0379	+02.98	-02.11	+02.41	+06.16	+01.59
12	-02.99 +003.1	+01.02 +001.2	+00.96 +001.1	+07.49 0381	+05.03	-01.74	+02.98	+05.54	+01.37
13	-02.99 +002.6	+01.52 +000.9	+00.95 +000.9	+08.78 0379	+05.12	-01.53	+03.29	+04.92	+01.23
14	-02.99 +002.4	+02.02 +000.8	+00.95 +000.8	+09.98 0378	+04.65	-01.12	+02.91	+04.95	+01.27
15	-02.99 +002.2	+02.52 +000.9	+00.94 +000.7	+10.99 0383	+04.33	-00.83	+03.70	+04.68	+01.24
16	-02.99 +002.3	+03.02 +001.4	+00.93 +000.7	+12.40 0380	+03.22	-00.55	+02.02	+05.32	+01.40
17	-02.99 +002.1	+03.52 +002.0	+00.93 +000.5	+12.58 0383	+01.85	-00.37	+01.81	+04.81	+01.07
18	-02.99 +002.3	+04.02 +003.0	+00.92 +000.6	+12.48 0382	+01.36	-00.31	+02.24	+05.10	+01.25
19	-02.99 +002.2	+04.52 +005.0	+00.92 +000.6	+12.77 0382	+00.98	-00.11	+02.55	+05.01	+01.28

FILE:DAT06

No.	Xcm DELxy	Ycm DELyz	Zcm DELzx	Um/s Navg	Vm/s	Wm/s	Su	Sv	Sw
1	-02.70 +024.2	+00.00 +030.0	+01.00 +004.7	+03.86 0189	-00.14	-03.14	+02.45	+11.45	+03.08
2	-02.70 +021.6	+00.30 +024.0	+01.00 +004.5	+04.13 0190	+01.28	-03.28	+02.62	+12.02	+03.06
3	-02.70 +011.4	+00.60 +010.1	+01.00 +003.3	+05.98 0191	+03.48	-03.17	+02.45	+11.06	+02.82
4	-02.70 +006.7	+00.90 +004.3	+01.00 +002.2	+07.26 0192	+05.42	-03.11	+02.08	+09.25	+02.22
5	-02.70 +002.4	+01.50 +001.1	+01.00 +000.7	+10.08 0353	+06.48	-02.29	+01.17	+05.25	+01.20
6	-02.70 +001.9	+02.00 +000.8	+01.00 +000.5	+12.32 0359	+06.64	-02.02	+01.24	+04.62	+00.98
7	-02.70 +002.2	+02.50 +000.8	+01.00 +000.6	+13.92 0191	+06.43	-01.65	+01.09	+04.54	+01.10
8	-02.70 +001.8	+03.00 +000.9	+01.00 +000.4	+14.86 0355	+04.82	-01.13	+01.10	+04.27	+01.03
9	-02.70 +002.4	+03.50 +001.4	+01.00 +000.6	+15.53 0194	+04.00	-00.94	+01.29	+04.89	+01.12
10	-02.70 +002.2	+04.00 +001.6	+01.00 +000.5	+15.85 0195	+03.37	-00.72	+01.16	+04.59	+00.95
11	-02.70 +002.4	+04.50 +003.2	+00.99 +000.5	+15.20 0192	+01.93	-00.52	+01.24	+04.66	+01.02
12	-02.70 +002.4	+05.00 +003.1	+00.99 +000.6	+15.64 0193	+01.79	-00.40	+01.26	+04.83	+01.07
13	-02.70 +002.4	+05.50 +008.6	+00.98 +000.5	+15.06 0192	+00.77	-00.24	+01.18	+04.55	+00.98
14	-02.70 +002.4	+06.00 +009.2	+00.98 +000.5	+15.26 0193	+01.01	-00.42	+01.29	+04.49	+00.89
15	-02.70 +001.9	+06.50 +011.9	+00.97 +000.4	+14.85 0362	+00.62	-00.26	+01.16	+04.27	+00.86
16	-02.70 +002.5	+07.00 +099.3	+00.97 +000.5	+14.57 0191	+00.13	-00.28	+01.22	+04.45	+00.87
17	-02.70 +002.5	+08.00 +112.0	+00.96 +000.5	+14.34 0193	+00.10	-00.26	+01.15	+04.47	+00.97
18	-02.70 +002.2	+08.50 +060.8	+00.96 +000.5	+14.41 0194	-00.29	-00.15	+01.24	+03.90	+00.87
19	-02.70 +002.0	+09.00 +047.2	+00.95 +000.5	+14.42 0193	-00.35	-00.20	+01.11	+03.59	+00.81

20	-02.70	+10.00	+00.95	+14.12	-00.88	-00.12	+01.12	+03.85	+00.90
	+002.2	+012.2	+000.5	0191					

FILE:DAT07

No.	Xcm DELxy	Ycm DELyz	Zcm DELzx	Um/s Navg	Vm/s	Wm/s	Su	Sv	Sw
1	-01.99 +049.0	+00.00 +001.2	+01.01 +000.3	-00.80 0191	+01.00	+83.90	+02.84	+12.02	+02.59
2	-01.99 +137.7	+00.30 +001.1	+01.01 +000.2	+00.53 0192	+00.27	+84.34	+02.40	+11.25	+02.12
3	-01.99 +069.0	+00.60 +001.1	+01.01 +000.2	+01.01 0190	+00.56	+84.33	+02.25	+11.08	+02.14
4	-01.99 +026.2	+00.90 +001.1	+01.01 +000.2	+00.69 0190	-01.50	+84.38	+02.51	+11.53	+02.20
5	-01.99 +038.7	+01.20 +001.3	+01.00 +000.3	+00.66 0190	-01.27	+84.04	+02.63	+13.88	+02.74
6	-01.99 +060.1	+01.50 +001.9	+01.00 +000.4	+01.44 0189	+01.33	+82.01	+04.06	+19.30	+04.73
7	-01.99 +053.9	+01.60 +003.2	+01.00 +000.5	+02.68 0190	-02.32	+79.70	+04.84	+30.63	+06.89
8	-01.99 +051.9	+01.70 +003.5	+01.00 +000.3	+00.63 0349	+01.71	+74.53	+03.44	+32.08	+08.20
9	-01.99 +010.0	+01.80 +017.2	+01.00 +003.3	+03.28 0359	+09.02	+09.97	+05.37	+42.24	+09.37
10	-01.99 +007.5	+02.10 +002.3	+00.99 +002.6	+13.18 0188	+11.08	-00.98	+04.09	+20.19	+04.25
11	-01.99 +003.0	+02.40 +001.1	+00.99 +000.9	+15.43 0190	+09.77	-02.69	+03.07	+07.81	+01.74
12	-01.99 +002.1	+02.70 +001.1	+00.99 +000.5	+17.88 0191	+07.32	-02.15	+01.00	+05.33	+01.11
13	-01.99 +001.7	+03.00 +000.8	+00.99 +000.4	+17.97 0194	+06.08	-01.56	+01.21	+04.15	+00.98
14	-01.99 +002.1	+03.30 +000.9	+00.99 +000.4	+17.54 0343	+06.27	-01.19	+01.13	+04.27	+00.88
15	-01.99 +002.1	+03.60 +001.5	+00.99 +000.5	+17.94 0190	+03.88	-00.93	+01.40	+04.84	+01.05
16	-01.99 +002.0	+04.20 +003.0	+00.99 +000.5	+17.27 0189	+01.88	-00.54	+01.40	+04.30	+01.01
17	-01.99 +001.9	+04.50 +006.4	+00.99 +000.4	+17.04 0191	+01.08	-00.42	+01.21	+03.99	+00.92
18	-01.99 +002.1	+04.80 +006.9	+00.98 +000.5	+17.13 0192	+01.22	-00.48	+01.34	+04.51	+00.98
19	-01.99 +002.1	+05.10 +002.7	+00.98 +000.5	+16.67 0189	+01.80	-00.37	+01.30	+04.30	+00.93

20	-01.99 +001.8	+05.40 +015.9	+00.98 +000.4	+16.50 0191	+00.56	-00.28	+01.24	+03.72	+00.79
21	-01.99 +001.9	+05.70 +159.7	+00.98 +000.4	+16.07 0188	+00.08	-00.13	+01.17	+03.81	+00.79
22	-01.99 +002.5	+06.00 +143.6	+00.98 +000.6	+15.92 0191	-00.17	-00.13	+01.39	+04.84	+01.15
23	-01.99 +002.2	+06.30 +063.2	+00.98 +000.5	+16.07 0190	+00.21	-00.16	+01.24	+04.27	+00.97
24	-01.99 +002.0	+06.80 +005.5	+00.98 +000.4	+15.32 0192	-01.23	-00.00	+01.14	+03.76	+00.82
25	-01.99 +002.3	+07.30 +013.0	+00.98 +000.5	+14.93 0189	-00.83	-00.12	+01.24	+04.17	+00.84
26	-01.99 +002.3	+07.80 +010.8	+00.98 +000.5	+15.31 0189	-00.84	-00.03	+01.25	+04.25	+01.00
27	-01.99 +002.0	+08.30 +012.6	+00.98 +000.4	+15.42 0192	-00.76	-00.09	+01.03	+03.77	+00.82
28	-01.99 +002.3	+08.80 +025.8	+00.98 +000.5	+14.42 0190	-00.58	-00.16	+01.16	+04.05	+00.94
29	-01.99 +002.2	+09.30 +007.5	+00.97 +000.5	+14.56 0193	-01.01	-00.03	+01.14	+04.05	+00.83

FILE:DAT08

No.	Xcm DELxy	Ycm DELyz	Zcm DELzx	Um/s Navg	Vm/s	Wm/s	Su	Sv	Sw
1	-01.01 +076.9	+01.57 +002.4	+01.00 +000.3	+02.43 0190	-00.59	+82.95	+03.04	+24.09	+04.63
2	-01.01 +043.4	+01.87 +002.1	+01.00 +000.2	+03.76 0190	-00.83	+83.67	+02.53	+21.05	+04.55
3	-01.01 +016.6	+02.17 +002.1	+01.00 +000.3	+04.11 0188	+05.15	+82.71	+02.93	+21.00	+04.76
4	-01.01 +018.0	+02.47 +002.4	+01.00 +000.4	+04.71 0188	+05.48	+80.98	+04.36	+23.88	+05.69
5	-01.01 +010.6	+02.77 +002.7	+00.99 +004.3	+07.33 0190	+08.35	-00.81	+07.39	+19.68	+03.92
6	-01.01 +003.0	+03.37 +002.7	+00.99 +000.7	+15.88 0194	+03.77	-01.30	+06.75	+06.00	+01.26
7	-01.01 +002.0	+03.67 +004.1	+00.99 +000.5	+20.15 0189	+02.30	-00.89	+02.18	+05.11	+01.12
8	-01.01 +001.9	+03.97 +002.7	+00.99 +000.4	+20.34 0192	+02.44	-00.72	+01.41	+04.74	+01.05
9	-01.01 +002.2	+04.27 +022.0	+00.99 +000.5	+19.31 0196	+00.51	-00.23	+01.37	+05.23	+01.09
10	-01.01 +001.8	+04.57 +011.4	+00.99 +000.4	+18.79 0191	+00.93	-00.45	+01.27	+04.30	+00.87
11	-01.01 +002.1	+04.87 +033.5	+00.99 +000.5	+18.12 0193	+00.45	-00.36	+01.36	+04.73	+01.05
12	-01.01 +002.1	+05.17 +018.4	+00.98 +000.4	+17.38 0193	-00.63	-00.09	+01.21	+04.53	+00.91
13	-01.01 +002.1	+05.47 +015.3	+00.98 +000.4	+16.97 0193	-00.68	-00.07	+01.31	+04.53	+00.93
14	-01.01 +002.2	+05.77 +035.8	+00.98 +000.4	+16.95 0191	-00.44	-00.13	+01.12	+04.53	+00.92
15	-01.01 +001.8	+06.07 +009.0	+00.98 +000.4	+16.63 0190	-00.90	-00.06	+01.24	+03.65	+00.79
16	-01.01 +002.2	+06.37 +012.4	+00.98 +000.5	+16.15 0192	-00.87	-00.08	+01.29	+04.41	+00.99
17	-01.01 +002.1	+06.67 +024.0	+00.99 +000.4	+15.91 0190	-00.66	-00.24	+01.25	+04.14	+00.83
18	-01.01 +002.0	+06.97 +017.1	+00.99 +000.4	+15.89 0193	-00.76	-00.20	+01.31	+04.02	+00.78
19	-01.01 +002.2	+07.27 +033.1	+00.99 +000.4	+15.68 0190	-00.48	-00.17	+01.16	+04.21	+00.80

20	-01.01 +002.2	+07.57 +011.7	+00.99 +000.4	+15.32 0195	-00.90	-00.14	+01.24	+04.22	+00.79
21	-01.01 +002.2	+07.87 +009.8	+00.99 +000.5	+15.11 0192	-01.09	-00.15	+01.30	+04.04	+00.86
22	-01.01 +002.2	+08.17 +007.5	+00.99 +000.5	+14.88 0195	-01.02	-00.03	+01.25	+04.11	+00.87
23	-01.01 +002.1	+08.47 +007.8	+01.00 +000.4	+14.93 0193	-01.03	-00.07	+01.29	+03.98	+00.76
24	-01.01 +001.8	+08.77 +005.9	+01.00 +000.4	+14.72 0191	-01.32	-00.13	+01.26	+03.35	+00.69

FILE:DAT09

No.	Xcm DELxy	Ycm DELYz	Zcm DELzx	Um/s Navg	Vm/s	Wm/s	Su	Sv	Sw
1	-00.01 +001.9	+10.00 +003.5	+01.00 +000.4	+14.55 0176	-01.70	-00.00	+00.93	+02.75	+00.62
2	-00.01 +002.2	+09.50 +004.6	+01.00 +000.4	+14.83 0180	-01.77	-00.11	+00.87	+03.44	+00.58
3	-00.01 +002.1	+09.00 +006.3	+01.00 +000.4	+14.50 0183	-01.42	-00.13	+01.19	+03.46	+00.72
4	-00.01 +002.1	+08.50 +008.6	+01.00 +000.4	+15.17 0179	-01.21	-00.18	+01.03	+03.41	+00.63
5	-00.01 +002.2	+08.00 +003.3	+01.00 +000.5	+15.22 0184	-01.95	+00.08	+01.17	+03.75	+00.81
6	-00.01 +002.0	+07.50 +002.7	+01.01 +000.4	+15.56 0183	-02.35	+00.07	+01.30	+03.50	+00.78
7	-00.01 +002.1	+07.00 +002.7	+01.01 +000.4	+15.76 0177	-01.95	+00.13	+01.15	+03.26	+00.68
8	-00.01 +002.2	+06.00 +003.8	+01.01 +000.5	+16.83 0186	-01.60	+00.11	+01.40	+04.24	+00.91
9	-00.01 +002.1	+05.50 +004.7	+01.02 +000.5	+16.98 0179	-01.77	-00.02	+01.17	+04.11	+00.91
10	-00.01 +001.7	+04.50 +003.8	+01.02 +000.4	+19.38 0182	-01.81	+00.02	+01.48	+03.80	+00.77
11	-00.01 +001.9	+04.00 +005.7	+01.02 +000.4	+20.58 0177	-01.41	+00.01	+01.42	+04.14	+00.83
12	-00.01 +001.8	+04.30 +004.0	+01.03 +000.4	+19.65 0179	-02.04	-00.03	+01.33	+04.06	+00.84
13	-00.01 +001.7	+04.60 +005.2	+01.03 +000.3	+19.08 0177	-01.44	-00.05	+01.07	+03.46	+00.75
14	-00.01 +001.9	+04.60 +002.9	+01.03 +000.4	+18.92 0177	-02.31	+00.12	+01.25	+04.12	+00.92
15	-00.01 +001.9	+04.30 +003.8	+01.03 +000.5	+19.32 0178	-02.14	+00.08	+01.37	+04.07	+01.01
16	-00.01 +001.6	+04.00 +003.7	+01.03 +000.3	+20.79 0177	-01.97	-00.02	+01.60	+03.89	+00.77
17	-00.01 +001.7	+03.70 +016.6	+01.03 +000.4	+20.90 0265	-00.85	-00.18	+01.40	+05.08	+01.16
18	-00.01 +001.7	+03.40 +024.9	+01.04 +000.3	+23.16 0434	-00.77	-00.38	+01.67	+06.05	+01.06
19	-00.01 +001.6	+03.10 +017.2	+01.04 +000.3	+24.37 0541	-01.01	-00.34	+01.69	+07.89	+01.48

20	-00.01	+02.80	+01.04	+25.43	+00.78	+01.52	+02.09	+17.47	+03.77
	+001.6	+022.5	+000.3	2898					

 FILE:DAT10

No.	Xcm DEL<y	Ycm DELyz	Zcm DELzx	Um/s Navg	Vm/s	Wm/s	Su	Sv	Sw
1	+01.00 +002.0	+10.00 +002.9	+01.00 +000.4	+14.14 0191	-01.63	+00.08	+00.94	+03.56	+00.69
2	+01.00 +002.0	+09.50 +003.0	+01.00 +000.4	+14.34 0194	-02.09	-00.01	+01.02	+03.68	+00.75
3	+01.00 +002.4	+09.00 +004.0	+01.00 +000.6	+14.18 0194	-02.06	-00.02	+01.19	+04.36	+00.98
4	+01.00 +002.2	+08.50 +003.0	+01.00 +000.5	+14.90 0196	-02.44	-00.01	+01.04	+04.29	+00.91
5	+01.00 +002.4	+08.00 +002.5	+01.00 +000.5	+15.18 0192	-02.75	+00.16	+01.17	+04.59	+01.03
6	+01.00 +002.0	+07.00 +002.2	+01.01 +000.5	+15.47 0192	-02.72	+00.12	+01.21	+03.94	+00.87
7	+01.00 +002.1	+06.00 +001.4	+01.01 +000.5	+16.50 0195	-03.36	+00.56	+01.19	+04.38	+01.00
8	+01.00 +001.9	+05.50 +001.3	+01.02 +000.4	+17.19 0191	-03.44	+00.52	+00.98	+04.17	+00.88
9	+01.00 +001.6	+05.00 +001.0	+01.02 +000.4	+17.54 0364	-04.01	+00.68	+01.34	+04.51	+00.96
10	+01.00 +001.5	+04.40 +000.8	+01.02 +000.3	+18.09 0366	-04.56	+00.82	+01.39	+04.53	+00.91
11	+01.00 +001.6	+04.10 +000.9	+01.02 +000.4	+19.02 0351	-04.87	+00.88	+01.27	+04.78	+01.07
12	+01.00 +001.6	+03.80 +000.8	+01.03 +000.4	+19.15 0358	-05.76	+01.11	+01.42	+05.15	+01.11
13	+01.00 +001.6	+03.50 +000.7	+01.03 +000.3	+19.92 0368	-06.85	+01.29	+01.90	+05.59	+01.19
14	+01.00 +001.6	+03.20 +000.8	+01.03 +000.3	+21.07 0519	-06.51	+01.43	+01.79	+06.32	+01.18
15	+01.00 +002.7	+03.00 +001.6	+01.03 +000.5	+22.14 0343	-06.32	+01.41	+01.99	+08.36	+01.51
16	+01.00 +003.1	+02.90 +002.8	+01.03 +000.6	+21.94 0506	-05.21	+01.64	+02.08	+10.88	+02.06
17	+01.00 +003.4	+02.80 +003.8	+01.04 +000.6	+22.19 0494	-05.18	+02.04	+02.11	+12.58	+02.25
18	+01.00 +003.5	+02.70 +007.6	+01.04 +000.7	+22.52 0660	-03.95	+02.58	+02.40	+15.00	+02.84
19	+01.00 +006.6	+02.50 +018.7	+01.04 +001.5	+22.05 0523	-01.28	+07.33	+02.82	+29.00	+07.35

FILE:DAT11

No.	Xcm DELxy	Ycm DElyz	Zcm DELzx	Um/s Navg	Vm/s	Wm/s	Su	Sv	Sw
1	+01.99 +002.1	+10.00 +001.8	+01.00 +000.6	+13.80 0518	-03.03	+00.34	+00.90	+03.98	+00.88
2	+01.99 +002.5	+09.50 +003.1	+01.00 +000.5	+14.04 0194	-02.40	+00.00	+01.19	+04.41	+00.93
3	+01.99 +002.6	+09.00 +002.1	+01.00 +000.6	+14.40 0194	-03.07	+00.22	+01.14	+04.83	+01.03
4	+01.99 +002.6	+08.50 +002.4	+01.00 +000.6	+14.58 0193	-02.96	+00.18	+01.13	+04.92	+01.09
5	+01.99 +001.8	+08.00 +001.7	+01.00 +000.4	+14.47 0356	-02.79	+00.18	+00.98	+03.98	+00.89
6	+01.99 +001.9	+07.00 +001.3	+01.01 +000.4	+14.92 0356	-03.28	+00.36	+01.09	+04.52	+01.02
7	+01.99 +002.0	+06.50 +001.2	+01.01 +000.4	+15.03 0355	-03.49	+00.49	+01.33	+04.73	+00.98
8	+01.99 +001.8	+06.00 +001.0	+01.01 +000.4	+15.30 0354	-04.05	+00.65	+01.21	+04.39	+00.94
9	+01.99 +002.3	+05.50 +001.5	+01.02 +000.5	+15.69 0356	-03.71	+00.78	+01.22	+05.17	+01.09
10	+01.99 +001.9	+05.00 +001.0	+01.02 +000.5	+15.66 0359	-04.40	+00.89	+01.47	+04.79	+01.02
11	+01.99 +001.9	+04.50 +001.0	+01.02 +000.4	+16.20 0363	-05.04	+01.35	+01.49	+04.97	+01.12
12	+01.99 +002.1	+04.00 +001.0	+01.02 +000.5	+16.01 0352	-06.36	+01.67	+01.42	+05.75	+01.14
13	+01.99 +001.7	+03.50 +000.8	+01.03 +000.4	+15.87 0535	-07.87	+02.41	+01.78	+06.51	+01.21
14	+01.99 +001.7	+03.00 +000.9	+01.03 +000.5	+15.86 0541	-09.15	+03.29	+01.78	+07.01	+01.51
15	+01.99 +001.9	+02.80 +000.9	+01.03 +000.5	+15.36 0529	-09.64	+03.48	+01.94	+07.59	+01.54
16	+01.99 +001.9	+02.60 +001.1	+01.03 +000.5	+15.02 0689	-09.38	+04.22	+01.95	+08.26	+01.62
17	+01.99 +003.9	+02.40 +003.2	+01.04 +000.9	+14.23 0338	-08.66	+05.22	+01.95	+10.26	+01.87
18	+01.99 +004.8	+02.20 +005.2	+01.04 +000.9	+13.39 0666	-06.41	+05.76	+02.20	+14.98	+02.83
19	+01.99 +005.3	+02.00 +005.6	+01.04 +000.9	+12.52 1127	-06.40	+08.54	+02.57	+22.31	+04.38

 FILE:DAT12

No.	Xcm DELxy	Ycm DELyz	Zcm DELzx	Um/s Navg	Vm/s	Wm/s	Su	Sv	Sw
1	+02.50 +001.4	-06.99 +002.6	+01.00 +000.3	+13.60 0383	+02.94	+00.58	+01.08	+03.36	+00.80
2	+02.50 +001.4	-06.49 +002.6	+01.00 +000.3	+13.70 0385	+03.03	+00.64	+01.37	+03.48	+00.80
3	+02.50 +001.5	-05.99 +002.3	+01.00 +000.4	+14.02 0380	+03.68	+00.76	+01.25	+03.76	+00.87
4	+02.50 +001.6	-05.49 +002.6	+01.00 +000.4	+14.11 0387	+03.99	+01.04	+01.30	+04.30	+00.93
5	+02.50 +001.5	-04.99 +002.8	+00.99 +000.4	+13.16 0382	+03.44	+01.03	+01.35	+03.74	+00.81
6	+02.50 +001.7	-04.49 +002.7	+00.99 +000.4	+13.62 0385	+04.41	+01.50	+01.49	+04.31	+00.98
7	+02.50 +001.7	-03.99 +002.4	+00.99 +000.4	+13.50 0384	+05.40	+02.02	+01.75	+04.71	+01.02
8	+02.50 +003.1	-03.49 +002.9	+00.98 +000.5	+12.71 0380	+06.83	+02.35	+01.68	+08.74	+01.20
9	+02.50 +002.3	-01.49 +002.9	+00.96 +002.4	+03.65 0592	+09.08	+05.22	+03.97	+08.59	+02.28
10	+02.50 +002.8	-00.99 +004.8	+00.96 +001.8	-02.55 1326	+06.97	+05.82	+03.18	+14.60	+04.00
11	+02.50 +002.7	-00.49 +002.9	+00.97 +001.0	-04.84 1404	-11.55	+13.15	+03.88	+25.40	+06.79
12	+02.50 +001.6	+00.01 +002.1	+00.97 +000.5	-05.43 2149	-16.31	+18.84	+03.49	+33.18	+08.66
13	+02.50 +006.9	+00.51 +006.1	+00.98 +000.8	-04.93 2078	+05.71	+11.36	+02.95	+30.32	+06.40
14	+02.50 +011.2	+01.01 +010.6	+00.98 +002.2	-02.19 1033	+03.15	+05.82	+03.72	+18.20	+03.22
15	+02.50 +009.5	+01.51 +008.1	+00.99 +004.7	+02.91 0384	-04.79	+05.73	+05.81	+15.22	+02.78
16	+02.50 +004.3	+02.01 +003.5	+00.99 +001.4	+08.74 0377	-06.43	+04.89	+03.58	+09.69	+01.83
17	+02.50 +003.1	+02.51 +002.8	+00.99 +000.8	+11.56 0383	-05.96	+04.00	+02.08	+07.77	+01.57
18	+02.50 +002.8	+03.01 +003.0	+00.98 +000.6	+13.13 0384	-04.92	+02.97	+01.68	+07.32	+01.44
19	+02.50 +002.1	+03.51 +001.7	+00.98 +000.5	+13.92 0384	-05.42	+02.38	+01.65	+05.98	+01.15

20	+02.50 +001.9	+04.01 +001.3	+00.97 +000.4	+14.22 0382	-05.22	+01.89	+01.50	+05.22	+01.00
21	+02.50 +002.0	+04.51 +001.5	+00.96 +000.4	+14.03 0387	-04.43	+01.47	+01.44	+05.43	+01.05
22	+02.50 +001.7	+05.01 +001.1	+00.96 +000.4	+13.90 0381	-04.11	+01.11	+01.30	+04.48	+00.86
23	+02.50 +001.5	+05.51 +001.0	+00.95 +000.3	+14.08 0382	-03.43	+00.79	+01.36	+04.00	+00.77
24	+02.50 +001.6	+06.01 +000.9	+00.94 +000.4	+14.34 0382	-03.75	+00.74	+01.23	+04.33	+00.90
25	+02.50 +001.5	+06.51 +000.9	+00.94 +000.3	+14.28 0385	-03.26	+00.52	+01.17	+03.85	+00.76
26	+02.50 +001.4	+07.01 +000.9	+00.93 +000.3	+14.36 0385	-03.02	+00.36	+01.01	+03.72	+00.69

 FILE: DAT13

No.	Xcm DELxy	Ycm DELyz	Zcm DELzx	Um/s Navg	Vm/s	Wm/s	Su	Sv	Sw
1	+03.01 +001.5	-07.99 +002.8	+01.00 +000.3	+12.68 0436	+02.53	+00.41	+01.09	+03.65	+00.82
2	+03.01 +001.6	-07.49 +003.2	+01.00 +000.4	+12.50 0436	+02.61	+00.58	+01.21	+03.84	+00.88
3	+03.01 +001.5	-06.99 +002.7	+01.00 +000.4	+12.31 0436	+02.93	+00.63	+01.20	+03.72	+00.82
4	+03.01 +001.4	-05.99 +002.2	+00.99 +000.4	+13.15 0430	+03.70	+00.77	+01.23	+03.76	+00.88
5	+03.01 +001.7	-05.49 +003.2	+00.98 +000.4	+12.39 0434	+03.25	+01.08	+01.25	+04.13	+00.89
6	+03.01 +001.4	-04.99 +002.0	+00.98 +000.3	+12.71 0428	+04.25	+01.19	+01.47	+03.58	+00.80
7	+03.01 +001.5	-04.49 +002.3	+00.98 +000.4	+12.76 0435	+04.58	+01.58	+01.46	+03.92	+00.94
8	+03.01 +001.6	-03.99 +002.1	+00.98 +000.5	+12.64 0435	+05.56	+01.89	+01.62	+04.55	+01.06
9	+03.01 +001.9	-03.49 +002.7	+00.97 +000.6	+12.12 0434	+05.59	+02.52	+01.73	+05.04	+01.26
10	+03.01 +002.1	-02.99 +002.5	+00.97 +000.6	+10.60 0431	+05.91	+02.65	+01.81	+05.22	+01.18
11	+03.01 +002.9	-02.49 +003.9	+00.97 +000.9	+09.86 0427	+05.79	+03.83	+01.99	+07.00	+01.64
12	+03.01 +002.6	-01.99 +003.1	+00.96 +000.9	+07.67 0750	+06.05	+04.09	+02.09	+06.50	+01.47
13	+03.01 +003.0	-01.49 +003.4	+00.96 +002.1	+03.36 1143	+06.34	+04.22	+04.40	+08.54	+01.93
14	+03.01 +012.1	-00.99 +014.2	+00.96 +003.5	-02.15 0773	+03.01	+03.52	+03.27	+15.80	+03.18
15	+03.01 +010.5	-00.49 +007.7	+00.95 +003.6	-04.58 1255	+03.05	+00.40	+02.00	+22.03	+05.23
16	+03.01 +018.0	+00.51 +072.2	+00.95 +004.7	-04.46 0828	+00.70	+00.61	+02.11	+20.67	+05.34
17	+03.01 +007.9	+01.01 +006.1	+00.95 +002.9	-03.48 0747	-04.08	+03.63	+02.65	+13.43	+03.20
18	+03.01 +004.8	+01.51 +003.7	+00.94 +006.4	-00.86 0429	-06.17	+04.26	+05.24	+11.61	+02.61
19	+03.01 +004.1	+02.01 +002.3	+00.94 +003.5	+04.39 0431	-07.51	+04.35	+05.33	+09.62	+01.99

20	+03.01 +003.1	+02.51 +001.9	+00.94 +001.2	+08.48 0429	-06.86	+03.62	+03.64	+07.63	+01.51
21	+03.01 +002.5	+03.01 +001.4	+00.93 +000.7	+11.01 0431	-07.05	+02.98	+02.05	+06.95	+01.37
22	+03.01 +002.6	+03.51 +002.0	+00.93 +000.5	+11.94 0427	-05.34	+02.41	+01.69	+06.74	+01.14
23	+03.01 +002.2	+04.01 +001.4	+00.93 +000.5	+12.50 0433	-05.39	+01.93	+01.53	+06.15	+01.17
24	+03.01 +001.8	+04.51 +001.0	+00.93 +000.4	+12.57 0437	-04.87	+01.44	+01.50	+04.85	+00.97
25	+03.01 +001.9	+05.01 +001.1	+00.92 +000.4	+12.72 0437	-04.38	+01.24	+01.35	+04.95	+00.94

FILE:DAT14

No.	Xcm DELxy	Ycm DELyz	Zcm DELzx	Um/s Navg	Vm/s	Wm/s	Su	Sv	Sw
1	+04.01 +001.4	-07.99 +001.7	+01.00 +000.3	+12.25 0383	+03.50	+00.43	+01.22	+03.20	+00.74
2	+04.01 +001.5	-07.49 +001.8	+01.00 +000.3	+12.14 0383	+03.66	+00.49	+01.13	+03.47	+00.74
3	+04.01 +001.7	-06.99 +002.4	+01.00 +000.4	+11.86 0383	+03.45	+00.66	+01.23	+03.77	+00.84
4	+04.01 +001.6	-06.49 +002.6	+00.99 +000.4	+12.35 0382	+03.38	+00.80	+01.08	+03.71	+00.83
5	+04.01 +001.6	-05.99 +001.9	+00.99 +000.4	+12.21 0383	+04.18	+00.81	+01.26	+03.80	+00.81
6	+04.01 +001.7	-05.49 +002.6	+00.98 +000.4	+11.95 0383	+03.77	+01.09	+01.32	+03.83	+00.83
7	+04.01 +001.8	-04.99 +003.1	+00.98 +000.5	+10.81 0390	+03.46	+01.29	+01.20	+03.77	+00.88
8	+04.01 +002.0	-04.49 +003.3	+00.97 +000.5	+11.41 0388	+04.02	+01.61	+01.51	+04.36	+01.06
9	+04.01 +001.9	-03.99 +002.9	+00.97 +000.6	+10.70 0385	+04.46	+01.93	+01.61	+04.18	+01.05
10	+04.01 +002.4	-03.49 +003.9	+00.96 +000.6	+10.29 0381	+04.29	+02.43	+01.77	+05.02	+01.15
11	+04.01 +003.1	-02.99 +004.4	+00.96 +000.9	+09.04 0379	+04.54	+02.71	+02.23	+05.94	+01.39
12	+04.01 +003.9	-02.49 +004.8	+00.96 +001.4	+07.98 0378	+05.40	+02.95	+02.82	+07.59	+01.97
13	+04.01 +003.7	-01.99 +004.4	+00.96 +001.4	+05.79 0971	+04.63	+03.10	+03.06	+06.90	+01.70
14	+04.01 +002.5	-01.49 +004.3	+00.95 +004.4	+00.78 1333	+05.52	+02.56	+04.08	+10.52	+02.56
15	+04.01 +003.6	-00.49 +002.2	+00.95 +002.7	-03.02 2237	+06.11	-02.66	+02.54	+23.37	+05.44
16	+04.01 +003.9	+00.01 +002.8	+00.94 +001.9	-03.83 1839	+06.23	-03.71	+02.54	+20.74	+04.73
17	+04.01 +006.5	+00.51 +003.2	+00.94 +003.2	-03.43 1835	+04.19	-02.05	+02.72	+20.78	+05.51
18	+04.01 +021.4	+01.01 +077.0	+00.94 +005.8	-02.43 1806	-00.24	+00.19	+03.31	+19.35	+05.35
19	+04.01 +004.6	+01.51 +004.5	+00.94 +007.1	-00.24 1037	-03.50	+02.17	+04.63	+11.89	+02.98

20	+04.01 +004.9	+02.01 +003.2	+00.93 +003.7	+03.11 0707	-05.30	+03.16	+05.06	+08.47	+01.81
21	+04.01 +002.7	+02.51 +001.4	+00.93 +001.3	+06.68 0671	-06.15	+03.05	+03.28	+05.81	+01.21
22	+04.01 +003.1	+03.01 +001.9	+00.92 +000.9	+09.34 0377	-06.05	+02.93	+02.32	+07.02	+01.48
23	+04.01 +002.7	+03.51 +001.9	+00.92 +000.6	+10.37 0384	-05.05	+02.34	+01.81	+05.94	+01.13
24	+04.01 +002.3	+04.01 +001.5	+00.92 +000.5	+11.02 0386	-05.16	+02.07	+01.58	+05.29	+01.05
25	+04.01 +002.3	+04.51 +001.4	+00.91 +000.5	+11.32 0386	-05.06	+01.71	+01.55	+05.43	+00.95
26	+04.01 +002.0	+05.01 +001.3	+00.91 +000.5	+12.05 0384	-03.87	+01.22	+01.27	+04.70	+00.96
27	+04.01 +001.6	+05.51 +000.7	+00.90 +000.4	+12.27 0383	-04.73	+01.13	+01.19	+03.94	+00.77
28	+04.01 +001.7	+06.01 +000.8	+00.90 +000.4	+11.89 0386	-04.04	+00.94	+01.25	+03.93	+00.78
29	+04.01 +001.7	+06.51 +000.8	+00.90 +000.4	+12.06 0382	-04.05	+00.78	+01.20	+03.93	+00.80
30	+04.01 +001.7	+07.01 +000.9	+00.89 +000.3	+12.04 0379	-03.47	+00.67	+01.11	+03.77	+00.73
31	+04.01 +001.7	+07.51 +000.9	+00.89 +000.4	+12.01 0381	-03.30	+00.57	+01.18	+03.73	+00.83
32	+04.01 +001.5	+08.01 +000.8	+00.89 +000.3	+12.12 0380	-03.30	+00.44	+01.07	+03.33	+00.70

 FILE.DAT15

No.	Xcm DELxy	Ycm DELyz	Zcm DELzx	Um/s Navg	Vm/s	Wm/s	Su	Sv	Sw
1	+05.00 +002.8	-04.96 +003.8	+01.00 +000.8	+09.00 0191	+03.73	+01.28	+02.39	+03.48	+00.85
2	+05.00 +003.2	-04.46 +004.9	+01.00 +000.9	+08.62 0191	+03.38	+01.63	+02.80	+03.79	+00.86
3	+05.00 +003.4	-03.96 +005.7	+01.00 +001.0	+08.55 0191	+03.28	+01.79	+02.16	+04.04	+00.96
4	+05.00 +003.9	-03.46 +005.8	+00.99 +000.7	+08.12 0476	+03.24	+02.00	+01.53	+04.99	+00.86
5	+05.00 +003.6	-02.96 +003.9	+00.99 +001.4	+06.42 0341	+04.47	+02.13	+02.86	+04.38	+00.97
6	+05.00 +004.9	-02.46 +004.7	+00.98 +002.5	+04.64 0339	+04.80	+02.21	+03.52	+05.31	+01.31
7	+05.00 +004.4	-01.96 +004.7	+00.98 +004.0	+02.45 0668	+04.80	+02.20	+04.08	+06.72	+01.74
8	+05.00 +002.1	-01.46 +003.2	+00.97 +009.2	+00.41 1535	+05.44	+01.04	+03.82	+12.21	+03.48
9	+05.00 +001.4	-00.96 +001.0	+00.97 +005.6	-00.66 2997	+05.72	-01.20	+03.16	+20.29	+04.99
10	+05.00 +002.2	-00.46 +002.4	+00.96 +002.2	-01.45 2611	+05.42	-02.96	+03.01	+19.14	+04.25
11	+05.00 +005.7	+00.04 +005.8	+00.95 +002.1	-01.41 1774	+03.01	-03.55	+02.96	+14.84	+03.38
12	+05.00 +032.3	+00.54 +014.2	+00.95 +002.7	-01.24 1783	-00.28	-02.91	+03.05	+14.89	+03.83
13	+05.00 +003.8	+01.54 +001.6	+00.94 +010.8	+00.59 1631	-03.44	+00.84	+04.22	+13.94	+03.68
14	+05.00 +004.5	+02.04 +001.9	+00.94 +003.1	+03.14 0836	-04.75	+01.97	+04.05	+08.53	+01.99
15	+05.00 +004.4	+02.54 +002.2	+00.93 +002.1	+04.75 0510	-05.01	+02.43	+03.71	+06.36	+01.34
16	+05.00 +004.9	+03.04 +002.8	+00.93 +001.7	+06.10 0330	-04.22	+02.09	+02.74	+05.68	+01.28
17	+05.00 +003.1	+03.54 +002.1	+00.93 +000.9	+08.04 0332	-04.18	+02.08	+01.55	+04.36	+00.98
18	+05.00 +003.6	+04.54 +002.4	+00.92 +000.9	+09.12 0190	-03.96	+01.68	+01.74	+04.78	+01.02
19	+05.00 +003.2	+05.04 +002.7	+00.92 +000.7	+09.80 0192	-03.23	+01.29	+01.54	+04.27	+00.80

FILE:DAT16

No.	Xcm DELxy	Ycm DELyz	Zcm DELzx	Um/s Navg	Vm/s	Wm/s	Su	Sv	Sw
1	+06.00 +001.8	-07.99 +003.8	+01.00 +000.4	+11.74 0289	+02.56	+00.71	+01.14	+03.30	+00.78
2	+06.00 +002.0	-07.49 +002.6	+01.00 +000.5	+11.17 0286	+03.53	+00.73	+01.16	+03.70	+00.78
3	+06.00 +002.2	-06.99 +003.3	+01.00 +000.5	+10.88 0292	+03.30	+00.83	+01.16	+03.99	+00.88
4	+06.00 +002.2	-05.99 +004.4	+01.00 +000.6	+10.75 0292	+02.97	+01.13	+01.33	+03.81	+00.95
5	+06.00 +002.6	-04.99 +004.3	+01.00 +000.7	+09.84 0289	+03.52	+01.40	+01.35	+04.44	+01.06
6	+06.00 +003.2	-03.99 +004.7	+00.99 +000.9	+08.87 0285	+03.78	+01.76	+01.98	+05.05	+01.11
7	+06.00 +006.2	-02.99 +009.3	+00.99 +001.7	+06.95 0282	+03.37	+02.16	+02.64	+07.76	+01.84
8	+06.00 +006.1	-01.99 +005.9	+00.98 +002.7	+03.68 0739	+04.10	+01.58	+03.20	+08.87	+02.11
9	+06.00 +065.2	+00.01 +026.0	+00.97 +005.8	+00.23 0552	+00.48	-02.67	+03.19	+14.63	+03.24
10	+06.00 +032.1	+01.01 +033.5	+00.97 +007.0	+01.61 0550	-01.08	-01.86	+03.29	+14.74	+03.84
11	+06.00 +007.8	+03.01 +009.0	+00.97 +002.2	+05.77 0283	-02.27	+01.87	+03.51	+07.73	+01.75
12	+06.00 +003.5	+04.01 +003.1	+00.97 +000.8	+09.45 0282	-03.74	+01.93	+01.99	+05.61	+01.15
13	+06.00 +002.9	+05.01 +003.1	+00.96 +000.6	+10.15 0284	-02.91	+01.30	+01.43	+04.81	+00.92
14	+06.00 +002.2	+06.01 +001.5	+00.96 +000.5	+10.49 0287	-03.40	+01.01	+01.15	+03.92	+00.73
15	+06.00 +002.1	+07.01 +001.0	+00.95 +000.5	+11.03 0292	-03.43	+00.80	+01.06	+03.83	+00.87
16	+06.00 +002.0	+08.01 +001.0	+00.95 +000.5	+11.41 0288	-03.39	+00.64	+01.02	+03.82	+00.80

 FILE:DAT17

No.	Xcm DELxy	Ycm DELyz	Zcm DELzx	Um/s Navg	Vm/s	Wm/s	Su	Sv	Sw
1	+07.50 +001.3	-15.01 +001.8	+01.00 +000.3	+11.33 0383	+02.29	+00.06	+00.79	+02.70	+00.65
2	+07.50 +001.2	-14.01 +001.3	+01.00 +000.3	+11.47 0378	+02.55	+00.05	+00.73	+02.61	+00.54
3	+07.50 +001.5	-13.01 +002.2	+01.00 +000.3	+11.33 0392	+02.10	+00.11	+00.83	+03.03	+00.69
4	+07.50 +001.4	-12.01 +001.6	+01.00 +000.3	+11.56 0380	+02.80	+00.09	+00.78	+02.89	+00.69
5	+07.50 +001.6	-11.01 +002.6	+00.99 +000.4	+11.30 0384	+02.39	+00.28	+00.84	+03.39	+00.75
6	+07.50 +001.5	-10.01 +002.6	+00.99 +000.4	+11.31 0386	+02.42	+00.36	+00.84	+03.17	+00.73
7	+07.50 +001.8	-08.01 +002.8	+00.98 +000.4	+09.90 0382	+02.57	+00.57	+01.06	+03.24	+00.70
8	+07.50 +001.9	-07.01 +002.9	+00.97 +000.5	+09.54 0383	+02.84	+00.70	+01.16	+03.46	+00.77
9	+07.50 +002.2	-06.01 +003.6	+00.97 +000.6	+09.18 0381	+02.87	+00.87	+01.41	+03.87	+00.90
10	+07.50 +003.2	-05.01 +005.7	+00.96 +000.8	+07.52 0382	+02.50	+01.23	+01.81	+04.60	+01.00
11	+07.50 +004.8	-04.01 +006.7	+00.96 +001.2	+06.19 0377	+02.74	+01.27	+02.50	+05.97	+01.31
12	+07.50 +006.5	-03.01 +008.2	+00.95 +001.9	+04.60 0672	+02.51	+01.19	+02.33	+06.72	+01.56
13	+07.50 +008.6	-01.01 +006.0	+00.95 +002.8	+02.68 1427	+02.55	-01.78	+02.04	+13.93	+03.18
14	+07.50 +009.2	-00.01 +007.7	+00.94 +002.5	+02.30 1043	+02.31	-02.56	+02.18	+10.81	+02.29
15	+07.50 +005.4	+00.99 +003.9	+00.94 +002.2	+02.41 2101	+03.35	-01.95	+01.94	+13.13	+02.82
16	+07.50 +015.1	+01.99 +013.4	+00.94 +003.9	+02.53 1355	+00.99	+00.10	+02.24	+12.63	+03.23
17	+07.50 +007.9	+02.99 +010.7	+00.93 +001.9	+04.20 0694	-01.42	+01.23	+02.52	+07.27	+01.53
18	+07.50 +004.9	+03.99 +002.7	+00.93 +001.4	+05.82 0379	-03.59	+01.54	+02.58	+06.63	+01.43
19	+07.50 +003.2	+04.99 +002.7	+00.93 +000.7	+07.65 0380	-02.70	+01.14	+02.17	+04.78	+00.95

20	+07.50 +002.5	+05.99 +001.8	+00.92 +000.5	+08.87 0382	-02.78	+00.92	+01.52	+04.17	+00.83
21	+07.50 +002.2	+06.99 +001.1	+00.92 +000.5	+09.42 0380	-02.95	+00.65	+01.27	+04.00	+00.80
22	+07.50 +001.9	+07.99 +000.9	+00.92 +000.4	+10.17 0384	-02.95	+00.49	+01.12	+03.59	+00.77
23	+07.50 +001.8	+08.99 +001.0	+00.92 +000.4	+10.51 0386	-02.66	+00.40	+01.11	+03.58	+00.73
24	+07.50 +001.9	+09.99 +001.3	+00.91 +000.4	+10.42 0391	-02.51	+00.25	+01.10	+03.68	+00.81
25	+07.50 +001.7	+10.99 +001.2	+00.90 +000.4	+10.91 0385	-02.82	+00.21	+00.96	+03.55	+00.76
26	+07.50 +001.6	+11.99 +001.2	+00.90 +000.3	+11.43 0382	-02.74	+00.08	+00.87	+03.35	+00.67
27	+07.50 +001.7	+12.99 +001.2	+00.89 +000.4	+11.14 0389	-02.69	+00.18	+00.87	+03.43	+00.74
28	+07.50 +001.8	+13.99 +002.3	+00.89 +000.4	+11.04 0386	-02.00	-00.00	+00.82	+03.58	+00.79
29	+07.50 +001.6	+14.99 +002.2	+00.88 +000.4	+11.04 0382	-01.91	-00.04	+00.79	+03.19	+00.68

 FILE:DAT18

No.	Xcm DELxy	Ycm DELyz	Zcm DELzx	Um/s Navg	Vm/s	Wm/s	Su	Sv	Sw
1	+09.99 +001.5	-10.02 +002.3	+01.00 +000.4	+10.87 0286	+02.57	+00.39	+01.06	+02.61	+00.59
2	+09.99 +001.7	-09.02 +002.4	+01.00 +000.4	+09.79 0288	+02.68	+00.47	+01.22	+02.64	+00.61
3	+09.99 +001.8	-08.02 +002.7	+01.00 +000.5	+09.84 0286	+02.90	+00.60	+01.27	+02.94	+00.71
4	+09.99 +002.3	-07.02 +003.9	+01.00 +000.6	+09.03 0288	+02.67	+00.83	+01.44	+03.33	+00.80
5	+09.99 +002.7	-06.02 +004.6	+01.00 +000.7	+08.38 0285	+02.66	+00.98	+01.90	+03.69	+00.87
6	+09.99 +004.0	-05.02 +007.5	+00.99 +001.1	+07.13 0286	+02.32	+01.12	+02.11	+04.71	+01.12
7	+09.99 +004.4	-04.02 +006.3	+00.99 +001.2	+05.74 0503	+02.48	+01.10	+02.21	+04.64	+01.12
8	+09.99 +005.6	-03.02 +006.2	+00.99 +001.6	+04.64 0753	+02.54	+00.81	+02.24	+06.53	+01.57
9	+09.99 +009.3	-02.02 +007.2	+00.98 +002.4	+03.53 1337	+01.08	-00.03	+02.07	+11.07	+02.64
10	+09.99 +010.2	-01.02 +035.4	+00.98 +002.4	+03.64 1371	+00.11	-01.02	+02.11	+11.91	+02.78
11	+09.99 +016.4	-00.02 +037.1	+00.98 +003.6	+03.35 0536	+00.09	-01.44	+02.30	+10.24	+02.62
12	+09.99 +015.0	+00.98 +030.5	+00.97 +003.3	+03.55 0535	+00.45	-01.52	+02.32	+10.19	+02.52
13	+09.99 +015.7	+01.98 +105.6	+00.97 +003.9	+03.48 0537	+00.18	-00.37	+02.19	+10.48	+02.65
14	+09.99 +010.8	+02.98 +015.5	+00.97 +002.8	+04.14 0529	-00.97	+00.60	+02.27	+08.81	+02.24
15	+09.99 +007.7	+03.98 +004.6	+00.96 +002.3	+05.50 0284	-02.63	+01.14	+02.57	+07.77	+01.91
16	+09.99 +004.7	+04.98 +003.5	+00.96 +001.3	+07.13 0285	-02.75	+01.27	+02.55	+05.69	+01.38
17	+09.99 +003.4	+05.98 +002.0	+00.96 +000.8	+08.32 0285	-03.15	+01.10	+02.09	+04.76	+01.02
18	+09.99 +002.5	+06.98 +001.4	+00.95 +000.6	+09.18 0287	-02.93	+00.86	+01.42	+03.75	+00.84
19	+09.99 +002.1	+07.98 +001.1	+00.94 +000.5	+09.81 0290	-03.09	+00.71	+01.44	+03.47	+00.76

20	+09.99	+08.98	+00.94	+10.17	-03.34	+00.62	+01.25	+03.35	+00.76
	+002.0	+000.9	+000.5	0287					

21	+09.99	+09.98	+00.93	+10.45	-02.61	+00.28	+01.19	+02.85	+00.62
	+001.7	+001.1	+000.4	0288					

 FILE·DAT19

No.	Xcm DELxy	Ycm DELyz	Zcm DELzx	Um/s Navg	Vm/s	Wm/s	Su	Sv	Sw
1	+15.00 +002.0	-10.02 +003.5	+01.00 +000.5	+09.56 0288	+02.18	+00.40	+01.18	+03.01	+00.71
2	+15.00 +002.1	-09.02 +003.0	+01.00 +000.5	+09.04 0289	+02.42	+00.39	+01.46	+03.04	+00.73
3	+15.00 +003.0	-08.02 +007.8	+01.00 +000.7	+08.45 0288	+01.60	+00.55	+01.67	+03.89	+00.92
4	+15.00 +003.4	-07.02 +007.0	+01.00 +000.9	+07.53 0285	+01.88	+00.59	+01.83	+04.10	+01.00
5	+15.00 +004.9	-06.02 +011.5	+01.00 +001.2	+06.20 0285	+01.51	+00.68	+02.12	+04.76	+01.16
6	+15.00 +007.4	-05.02 +020.6	+00.99 +001.9	+05.27 0283	+01.20	+00.73	+01.85	+06.14	+01.52
7	+15.00 +010.5	-04.02 +017.8	+00.99 +002.5	+04.30 0284	+01.16	+00.29	+01.91	+07.29	+01.63
8	+15.00 +011.5	-03.02 +049.1	+00.98 +002.6	+04.74 0285	+00.35	+00.04	+01.94	+08.24	+01.83
9	+15.00 +009.7	-02.02 +045.3	+00.98 +002.4	+04.31 0542	+00.39	-00.43	+01.54	+08.43	+02.13
10	+15.00 +013.6	-01.02 +057.2	+00.97 +003.2	+04.22 0286	+00.29	-00.84	+01.93	+08.67	+02.07
11	+15.00 +013.6	-00.02 +033.6	+00.97 +003.2	+04.04 0288	+00.68	-01.06	+01.82	+08.56	+02.03
12	+15.00 +009.6	+00.98 +022.9	+00.97 +002.3	+04.27 0534	+00.77	-00.81	+01.66	+08.20	+01.96
13	+15.00 +010.3	+01.98 +070.6	+00.96 +002.5	+04.21 0546	+00.20	-00.49	+01.73	+08.64	+02.17
14	+15.00 +010.5	+02.98 +016.7	+00.96 +002.7	+04.08 0539	+00.42	-00.05	+01.46	+08.53	+02.13
15	+15.00 +013.2	+03.98 +085.8	+00.96 +003.1	+04.16 0287	-00.26	+00.38	+02.02	+08.31	+01.96
16	+15.00 +008.5	+04.98 +017.5	+00.95 +002.0	+05.27 0283	-00.90	+00.55	+02.06	+06.95	+01.55
17	+15.00 +005.7	+05.98 +004.2	+00.95 +001.4	+06.04 0287	-01.97	+00.75	+02.16	+05.71	+01.25
18	+15.00 +004.2	+06.98 +002.2	+00.94 +001.1	+06.93 0283	-02.43	+00.75	+02.23	+04.84	+01.13
19	+15.00 +002.9	+07.98 +001.2	+00.94 +000.8	+08.12 0283	-02.86	+00.65	+01.79	+03.96	+00.98

20	+15.00	+08.98	+00.93	+08.94	-02.37	+00.48	+01.54	+03.47	+00.71
	+002.4	+001.3	+000.5	0286					

21	+15.00	+09.98	+00.93	+09.44	-02.18	+00.29	+01.40	+03.20	+00.72
	+002.1	+001.4	+000.5	0285					

 FILE.DAT20

No.	Xcm DELxy	Ycm DELyz	Zcm DELzx	Um/s Navg	Vm/s	Wm/s	Su	Sv	Sw
1	+20.00 +001.6	-14.00 +002.2	+01.01 +000.4	+09.86 0383	+02.11	+00.12	+00.94	+02.94	+00.67
2	+20.00 +001.9	-12.00 +003.4	+01.01 +000.5	+09.60 0382	+01.89	+00.26	+01.09	+03.27	+00.78
3	+20.00 +002.4	-10.00 +003.3	+01.00 +000.6	+08.59 0382	+02.13	+00.28	+01.35	+03.75	+00.83
4	+20.00 +003.5	-08.00 +004.1	+01.00 +000.8	+06.92 0383	+02.06	+00.25	+01.86	+04.56	+01.02
5	+20.00 +003.6	-06.00 +007.9	+01.00 +000.8	+05.56 0695	+01.15	+00.33	+01.52	+04.34	+00.98
6	+20.00 +008.0	-04.00 +005.7	+01.00 +001.9	+04.68 0381	+01.10	-00.12	+01.63	+06.81	+01.59
7	+20.00 +008.7	-02.00 +114.5	+00.99 +002.1	+04.91 0384	+00.05	-00.36	+01.71	+07.44	+01.77
8	+20.00 +007.8	-00.00 +029.3	+00.98 +001.8	+05.17 0379	+00.59	-00.83	+01.55	+07.12	+01.61
9	+20.00 +009.3	+02.00 +061.1	+00.98 +002.2	+04.76 0384	-00.44	-00.33	+01.64	+07.77	+01.87
10	+20.00 +009.0	+04.00 +009.8	+00.97 +002.0	+04.55 0382	-00.95	+00.35	+01.64	+07.43	+01.60
11	+20.00 +006.6	+06.00 +032.7	+00.97 +001.4	+05.32 0382	-00.42	+00.32	+01.78	+06.13	+01.30
12	+20.00 +004.4	+08.00 +006.7	+00.96 +000.9	+06.63 0384	-00.93	+00.32	+02.05	+05.16	+01.06
13	+20.00 +003.5	+10.00 +003.2	+00.95 +000.8	+08.33 0384	-01.35	+00.31	+01.48	+05.27	+01.09
14	+20.00 +002.7	+12.00 +001.8	+00.95 +000.6	+09.18 0385	-02.00	+00.40	+01.26	+04.63	+01.02
15	+20.00 +002.7	+14.00 +002.5	+00.94 +000.6	+09.79 0384	-01.45	+00.23	+00.99	+04.84	+01.06

 FILE: DAT21

No.	Xcm DELxy	Ycm DELyz	Zcm DELzx	Um/s Navg	Vm/s	Wm/s	Su	Sv	Sw
1	+25.00 +001.7	-15.01 +001.6	+01.00 +000.4	+08.93 0377	+02.35	-00.02	+00.91	+02.75	+00.65
2	+25.00 +002.0	-14.01 +004.5	+01.00 +000.5	+08.77 0383	+01.20	+00.10	+01.03	+03.16	+00.73
3	+25.00 +002.3	-13.01 +002.6	+01.00 +000.5	+08.08 0384	+01.67	+00.02	+01.12	+03.42	+00.74
4	+25.00 +002.3	-12.01 +005.5	+01.00 +000.6	+07.96 0386	+01.19	+00.16	+01.28	+03.27	+00.79
5	+25.00 +002.6	-11.01 +003.9	+01.00 +000.7	+07.77 0382	+01.48	+00.05	+01.27	+03.69	+00.90
6	+25.00 +003.2	-10.01 +017.9	+00.99 +000.8	+07.14 0386	+00.58	+00.16	+01.33	+04.09	+00.94
7	+25.00 +003.5	-09.01 +004.5	+00.99 +000.9	+06.74 0382	+01.47	+00.03	+01.54	+04.29	+01.07
8	+25.00 +004.5	-08.01 +034.4	+00.99 +001.0	+06.26 0382	+00.45	+00.23	+01.60	+04.99	+01.06
9	+25.00 +003.6	-07.01 +088.5	+00.98 +000.8	+05.60 0719	+00.10	+00.20	+01.42	+04.44	+00.98
10	+25.00 +004.1	-06.01 +182.6	+00.98 +000.9	+05.15 0706	+00.07	+00.05	+01.21	+04.58	+01.02
11	+25.00 +004.5	-05.01 +056.3	+00.97 +001.1	+05.03 0710	-00.16	-00.03	+01.21	+04.91	+01.17
12	+25.00 +004.6	-04.01 +071.3	+00.97 +001.1	+04.99 0711	-00.20	-00.16	+01.29	+05.16	+01.19
13	+25.00 +004.6	-03.01 +022.2	+00.97 +001.1	+05.06 0711	-00.55	-00.22	+01.22	+05.25	+01.23
14	+25.00 +004.4	-02.01 +033.0	+00.96 +001.1	+05.45 0727	-00.45	-00.34	+01.27	+05.56	+01.39
15	+25.00 +004.3	-00.01 +012.6	+00.95 +001.0	+05.59 0712	+00.76	-00.65	+01.20	+05.33	+01.27
16	+25.00 +004.2	+00.99 +006.4	+00.95 +001.0	+05.60 0719	+01.09	-00.58	+01.30	+05.44	+01.27
17	+25.00 +004.5	+01.99 +003.5	+00.94 +001.1	+05.28 0713	+01.19	-00.35	+01.19	+05.54	+01.25
18	+25.00 +004.8	+02.99 +002.4	+00.94 +001.1	+05.11 0684	+01.45	-00.28	+01.31	+05.25	+01.22
19	+25.00 +004.9	+03.99 +006.1	+00.94 +001.1	+04.82 0706	+00.72	-00.05	+01.23	+05.27	+01.19

20	+25.00 +004.7	+04.99 +046.1	+00.93 +001.1	+04.88 0703	+00.29	+00.17	+01.27	+05.00	+01.18
21	+25.00 +004.8	+05.99 +102.7	+00.93 +001.1	+04.94 0697	+00.01	+00.23	+01.16	+04.94	+01.10
22	+25.00 +004.4	+06.99 +079.3	+00.93 +000.9	+05.19 0703	+00.16	+00.21	+01.24	+04.89	+01.04
23	+25.00 +003.4	+08.99 +016.5	+00.92 +000.7	+06.11 0717	-00.39	+00.21	+01.49	+04.32	+00.93
24	+25.00 +002.9	+09.99 +003.4	+00.91 +000.6	+06.71 0699	-00.94	+00.24	+01.29	+04.05	+00.84
25	+25.00 +002.8	+11.99 +002.1	+00.90 +000.6	+08.23 0385	-01.53	+00.27	+01.26	+04.18	+00.85
26	+25.00 +002.8	+12.99 +002.4	+00.90 +000.6	+08.21 0383	-01.52	+00.12	+01.25	+04.14	+00.83
27	+25.00 +002.4	+13.99 +001.8	+00.89 +000.5	+08.29 0385	-01.70	+00.16	+01.04	+03.68	+00.76

FILE:DAT22

No.	Xcm DELxy	Ycm DELyz	Zcm DELzx	Um/s Navg	Vm/s	Wm/s	Su	Sv	Sw
1	+30.00 +001.5	-20.01 +002.2	+01.00 +000.4	+08.97 0383	+01.80	+00.04	+00.77	+02.50	+00.65
2	+30.00 +001.7	-17.51 +003.0	+01.00 +000.4	+08.87 0380	+01.49	+00.06	+00.77	+02.66	+00.69
3	+30.00 +001.9	-15.01 +002.5	+01.00 +000.5	+08.30 0382	+01.60	+00.02	+01.01	+02.85	+00.68
4	+30.00 +002.1	-12.51 +003.1	+01.00 +000.6	+07.89 0384	+01.57	+00.05	+00.99	+03.06	+00.76
5	+30.00 +002.8	-10.01 +008.8	+00.99 +000.7	+07.17 0383	+00.89	+00.15	+01.37	+03.60	+00.86
6	+30.00 +004.1	-07.51 +009.8	+00.99 +001.0	+06.04 0382	+00.81	+00.08	+01.43	+04.37	+01.05
7	+30.00 +005.3	-05.01 +052.5	+00.99 +001.3	+05.35 0381	+00.08	-00.01	+01.40	+04.90	+01.21
8	+30.00 +004.0	-02.51 +053.7	+00.99 +001.0	+05.63 0726	-00.25	-00.22	+01.37	+05.02	+01.24
9	+30.00 +003.5	-00.01 +007.1	+00.98 +000.9	+06.07 0730	+00.99	-00.62	+01.32	+04.91	+01.18
10	+30.00 +003.9	+02.49 +004.9	+00.98 +000.9	+05.75 0713	+01.11	-00.48	+01.26	+05.09	+01.19
11	+30.00 +004.1	+04.99 +006.3	+00.98 +001.0	+05.31 0719	+01.03	+00.07	+01.31	+05.02	+01.16
12	+30.00 +003.7	+07.49 +015.1	+00.97 +000.8	+05.52 0710	+00.53	+00.11	+01.29	+04.44	+00.95
13	+30.00 +003.7	+09.99 +007.3	+00.97 +000.8	+06.67 0385	-00.46	+00.08	+01.42	+04.33	+00.98
14	+30.00 +003.0	+12.49 +004.9	+00.96 +000.7	+07.79 0384	-00.71	+00.09	+01.32	+04.21	+00.92
15	+30.00 +002.6	+14.99 +003.4	+00.95 +000.6	+08.49 0383	-01.19	+00.09	+01.02	+03.80	+00.94
16	+30.00 +002.5	+17.49 +004.3	+00.95 +000.6	+08.86 0386	-01.00	+00.04	+00.91	+03.90	+00.88
17	+30.00 +002.4	+19.99 +007.5	+00.94 +000.5	+09.20 0388	-00.85	-00.07	+00.94	+03.93	+00.86

 FILE:DAT23

No.	Xcm DELxy	Ycm DELyz	Zcm DELzx	Um/s Navg	Vm/s	Wm/s	Su	Sv	Sw
1	+35.49 +004.7	-25.01 +009.2	+01.00 +001.3	+09.41 0048	+01.22	-00.04	+00.93	+02.81	+00.75
2	+35.49 +003.4	-22.51 +003.6	+01.00 +000.8	+09.13 0047	+01.49	-00.18	+01.11	+01.93	+00.47
3	+35.49 +006.0	-20.01 +017.0	+01.00 +001.3	+08.82 0048	+00.61	-00.02	+00.70	+03.30	+00.71
4	+35.49 +004.6	-17.51 +009.5	+00.99 +001.2	+08.59 0049	+01.12	+00.01	+01.03	+02.49	+00.64
5	+35.49 +005.5	-15.01 +007.9	+00.99 +001.3	+07.71 0047	+01.23	+00.01	+00.74	+02.64	+00.59
6	+35.49 +007.6	-12.51 +068.5	+00.99 +001.8	+07.18 0048	-00.32	+00.27	+01.08	+03.36	+00.80
7	+35.49 +007.8	-10.01 +021.5	+00.98 +001.8	+06.98 0048	+00.73	+00.06	+01.34	+03.32	+00.77
8	+35.49 +008.9	-07.51 +016.5	+00.98 +001.6	+06.26 0087	+00.71	+00.03	+01.24	+04.59	+00.85
9	+35.49 +007.0	-05.01 +005.0	+00.97 +001.7	+06.20 0131	-01.41	+00.16	+00.96	+04.67	+01.08
10	+35.49 +007.8	-02.51 +011.3	+00.97 +001.8	+06.25 0086	-01.26	-00.08	+01.29	+03.70	+00.87
11	+35.49 +008.0	-00.01 +046.0	+00.96 +001.7	+06.41 0134	-00.59	-00.31	+00.99	+05.01	+01.16
12	+35.49 +008.0	+02.49 +007.9	+00.96 +001.9	+06.12 0135	+01.03	-00.31	+01.15	+04.65	+01.12
13	+35.49 +009.3	+04.99 +005.5	+00.95 +002.3	+05.58 0088	+01.40	-00.22	+00.98	+04.45	+00.97
14	+35.49 +009.5	+07.49 +006.6	+00.94 +002.1	+05.75 0087	+01.16	-00.18	+00.84	+04.68	+00.94
15	+35.49 +006.7	+09.99 +029.0	+00.94 +001.4	+06.81 0087	-00.32	+00.12	+01.32	+03.43	+00.72
16	+35.49 +006.4	+12.49 +208.1	+00.93 +001.1	+07.41 0131	-00.10	+00.13	+01.16	+04.00	+00.74
17	+35.49 +007.3	+14.99 +059.2	+00.92 +001.6	+07.81 0049	-00.43	-00.12	+01.05	+03.56	+00.78
18	+35.49 +004.6	+17.49 +004.1	+00.92 +000.9	+08.38 0091	-01.27	+00.13	+00.79	+03.01	+00.55
19	+35.49 +004.9	+19.99 +003.1	+00.91 +000.8	+08.40 0087	-01.89	+00.07	+00.92	+03.02	+00.45

20	+35.49	+22.49	+00.91	+08.72	-01.06	-00.05	+00.95	+03.05	+00.61
	+004.6	+008.6	+000.9	0091					

21	+35.49	+24.99	+00.90	+08.68	-00.70	-00.13	+01.07	+03.70	+00.74
	+004.8	+020.2	+000.9	0097					

FILE:DAT24

No.	Xcm DELxy	Ycm DELyz	Zcm DELzx	Um/s Navg	Vm/s	Wm/s	Su	Sv	Sw
1	-05.00 +001.5	-06.99 +030.9	+02.01 +000.3	+13.74 0355	+00.26	-00.52	+00.75	+03.04	+00.62
2	-05.00 +001.9	-05.99 +038.9	+02.01 +000.3	+13.44 0340	+00.18	-00.56	+00.68	+03.36	+00.68
3	-05.00 +001.8	-04.99 +031.7	+02.00 +000.4	+13.19 0344	-00.02	-00.75	+00.74	+03.33	+00.73
4	-05.00 +002.2	-03.99 +027.0	+02.00 +000.4	+12.66 0342	-00.51	-00.82	+00.83	+03.61	+00.68
5	-05.00 +002.3	-02.99 +019.9	+01.99 +000.4	+11.70 0519	-00.73	-00.82	+00.90	+04.21	+00.77
6	-05.00 +002.1	-01.99 +019.1	+01.99 +000.4	+11.00 0509	-00.58	-01.04	+00.84	+04.12	+00.87
7	-05.00 +001.9	-00.99 +017.2	+01.98 +000.4	+10.81 0346	-00.60	-00.94	+00.68	+02.95	+00.67
8	-05.00 +002.5	+00.01 +013.7	+01.98 +000.5	+10.31 0338	+00.80	-01.13	+00.79	+03.75	+00.75
9	-05.00 +002.1	+01.01 +008.7	+01.97 +000.4	+11.39 0340	+01.16	-00.99	+00.67	+03.06	+00.62
10	-05.00 +001.8	+02.01 +003.3	+01.97 +000.4	+12.22 0347	+02.00	-01.02	+00.73	+03.17	+00.69
11	-05.00 +001.8	+03.01 +002.3	+01.96 +000.4	+12.84 0351	+02.45	-00.98	+00.70	+03.51	+00.71
12	-05.00 +001.5	+04.01 +003.2	+01.96 +000.3	+13.39 0350	+01.74	-00.78	+00.70	+02.89	+00.55
13	-05.00 +001.9	+05.01 +007.7	+01.95 +000.4	+14.05 0194	+01.03	-00.56	+00.81	+03.27	+00.74
14	-05.00 +002.0	+06.01 +010.0	+01.95 +000.4	+14.19 0193	+00.92	-00.52	+00.87	+03.49	+00.74
15	-05.00 +001.9	+07.01 +019.7	+01.95 +000.4	+14.32 0191	+00.54	-00.47	+00.73	+03.29	+00.76

FILE:DAT25

No.	Xcm DELxy	Ycm DELyz	Zcm DELzx	Um/s Navg	Vm/s	Wm/s	Su	Sv	Sw
1	-04.00 +001.6	-06.99 +012.0	+02.00 +000.3	+14.08 0172	-00.98	-00.42	+00.68	+01.92	+00.43
2	-04.00 +001.7	-06.49 +017.9	+02.00 +000.4	+14.25 0094	-00.80	-00.56	+00.83	+02.15	+00.43
3	-04.00 +001.4	-05.99 +010.0	+02.00 +000.3	+14.52 0170	-01.17	-00.60	+00.57	+01.84	+00.44
4	-04.00 +001.5	-05.49 +005.8	+02.00 +000.3	+14.35 0096	-01.56	-00.44	+00.62	+01.84	+00.41
5	-04.00 +002.0	-04.99 +013.4	+01.99 +000.4	+14.11 0095	-01.23	-00.71	+00.65	+02.56	+00.53
6	-04.00 +001.5	-04.49 +005.2	+01.99 +000.3	+13.88 0171	-01.92	-00.76	+00.88	+02.05	+00.38
7	-04.00 +001.5	-03.99 +004.6	+01.99 +000.3	+13.85 0173	-02.35	-00.82	+00.67	+02.33	+00.48
8	-04.00 +001.9	-03.49 +005.0	+01.99 +000.5	+13.55 0176	-02.71	-00.96	+00.69	+02.60	+00.63
9	-04.00 +001.6	-02.99 +004.5	+01.98 +000.4	+12.68 0166	-02.55	-01.09	+00.71	+02.15	+00.48
10	-04.00 +001.6	-02.49 +003.4	+01.98 +000.4	+12.33 0169	-03.02	-01.11	+00.65	+02.19	+00.45
11	-04.00 +002.0	-01.99 +004.0	+01.98 +000.5	+11.46 0171	-03.12	-01.17	+00.65	+02.63	+00.54
12	-04.00 +002.3	-01.49 +005.3	+01.97 +000.6	+10.39 0167	-02.76	-01.36	+00.80	+02.69	+00.64
13	-04.00 +002.4	-00.99 +007.3	+01.97 +000.5	+09.77 0169	-01.97	-01.33	+00.84	+02.61	+00.52
14	-04.00 +003.0	-00.49 +013.5	+01.97 +000.7	+09.33 0170	-01.22	-01.44	+00.67	+03.02	+00.72
15	-04.00 +002.4	+00.01 +015.5	+01.97 +000.5	+09.63 0177	+00.14	-01.45	+00.67	+02.37	+00.54
16	-04.00 +002.8	+00.51 +012.4	+01.96 +000.6	+09.81 0168	+00.79	-01.58	+00.77	+02.88	+00.67
17	-04.00 +002.2	+01.01 +005.6	+01.96 +000.5	+10.40 0178	+01.72	-01.37	+00.68	+02.45	+00.50
18	-04.00 +002.3	+01.51 +006.4	+01.96 +000.6	+11.08 0174	+01.57	-01.27	+00.79	+02.60	+00.65
19	-04.00 +002.3	+02.01 +002.9	+01.95 +000.6	+11.86 0175	+02.61	-01.30	+00.82	+02.78	+00.69

20	-04.00 +001.7	+02.51 +002.8	+01.95 +000.4	+12.52 0163	+02.25	-01.20	+00.77	+02.11	+00.47
21	-04.00 +001.6	+03.01 +003.4	+01.95 +000.4	+13.21 0174	+01.86	-01.01	+00.68	+02.14	+00.48
22	-04.00 +002.1	+03.51 +011.1	+01.95 +000.5	+13.88 0095	+00.99	-00.77	+00.94	+02.50	+00.57
23	-04.00 +001.3	+04.01 +004.9	+01.94 +000.3	+14.28 0179	+01.32	-00.79	+00.67	+01.96	+00.39
24	-04.00 +001.7	+04.51 +008.0	+01.93 +000.4	+14.57 0095	+01.07	-00.70	+00.61	+02.18	+00.52
25	-04.00 +002.0	+05.01 +024.4	+01.93 +000.4	+14.56 0096	+00.50	-00.53	+00.56	+02.48	+00.50
26	-04.00 +001.4	+05.51 +010.3	+01.92 +000.3	+14.49 0173	+00.84	-00.71	+00.62	+02.15	+00.40
27	-04.00 +001.6	+06.01 +026.8	+01.92 +000.3	+14.53 0096	+00.39	-00.46	+00.54	+02.05	+00.36
28	-04.00 +001.5	+06.51 +035.3	+01.91 +000.3	+14.51 0096	+00.22	-00.45	+00.73	+01.87	+00.36
29	-04.00 +001.5	+07.01 +035.1	+01.91 +000.3	+14.63 0096	+00.20	-00.50	+00.44	+01.93	+00.43

FILE:DAT26

No.	Xcm DELxy	Ycm DELyZ	Zcm DELzX	Um/s Navg	Vm/s	Wm/s	Su	Sv	Sw
1	-03.00 +001.5	-07.99 +037.8	+02.00 +000.3	+14.40 0095	-00.33	-00.22	+00.94	+01.90	+00.38
2	-03.00 +001.8	-07.49 +024.1	+02.00 +000.4	+14.95 0097	-00.64	-00.39	+00.77	+02.32	+00.50
3	-03.00 +001.9	-06.99 +064.4	+02.00 +000.3	+15.21 0094	-00.14	-00.43	+00.66	+02.51	+00.36
4	-03.00 +001.3	-06.49 +009.0	+02.00 +000.3	+15.25 0095	-01.04	-00.34	+00.64	+01.79	+00.39
5	-03.00 +001.4	-05.99 +015.0	+01.99 +000.3	+15.09 0170	-00.82	-00.54	+00.74	+02.06	+00.41
6	-03.00 +001.3	-05.49 +010.5	+01.99 +000.2	+15.24 0175	-01.07	-00.67	+00.81	+02.08	+00.39
7	-03.00 +001.8	-04.99 +010.7	+01.98 +000.4	+15.35 0169	-01.48	-00.80	+00.65	+02.59	+00.53
8	-03.00 +001.5	-04.49 +006.3	+01.98 +000.3	+15.34 0172	-01.98	-00.92	+00.61	+02.47	+00.51
9	-03.00 +001.8	-03.99 +004.2	+01.97 +000.4	+14.85 0095	-03.00	-00.98	+00.88	+02.47	+00.47
10	-03.00 +001.4	-03.49 +002.3	+01.97 +000.3	+14.70 0257	-03.94	-01.14	+00.77	+02.70	+00.55
11	-03.00 +001.7	-02.99 +003.1	+01.96 +000.4	+13.89 0173	-04.00	-01.43	+00.73	+02.66	+00.58
12	-03.00 +001.7	-02.49 +002.0	+01.96 +000.4	+13.04 0178	-05.21	-01.52	+00.78	+02.75	+00.52
13	-03.00 +001.6	-01.99 +001.7	+01.95 +000.5	+10.88 0265	-06.02	-01.83	+00.93	+03.19	+00.67
14	-03.00 +002.2	-01.49 +002.4	+01.95 +000.7	+09.16 0351	-05.63	-02.00	+01.14	+04.10	+00.94
15	-03.00 +002.8	-00.99 +003.7	+01.94 +000.7	+07.64 0509	-04.11	-02.07	+01.33	+05.15	+01.14
16	-03.00 +003.9	-00.49 +008.0	+01.94 +000.9	+06.36 0959	-02.00	-02.21	+01.42	+07.06	+01.68
17	-03.00 +004.3	+00.01 +012.9	+01.93 +001.0	+06.42 0948	+00.15	-02.08	+01.55	+07.21	+01.79
18	-03.00 +003.4	+00.51 +003.6	+01.93 +000.9	+07.07 0959	+02.81	-02.29	+01.47	+06.99	+01.76
19	-03.00 +002.6	+01.01 +001.7	+01.92 +000.8	+08.85 0610	+04.21	-02.12	+01.28	+05.63	+01.43

20	-03.00 +002.0	+01.51 +001.2	+01.91 +000.6	+10.69 0420	+04.78	-01.98	+00.84	+04.32	+01.04
21	-03.00 +001.9	+02.01 +001.3	+01.91 +000.5	+12.25 0265	+04.97	-01.88	+01.10	+03.61	+00.83
22	-03.00 +001.8	+02.51 +001.4	+01.90 +000.4	+13.39 0262	+04.28	-01.60	+00.92	+03.39	+00.67
23	-03.00 +001.6	+03.01 +001.4	+01.90 +000.4	+14.29 0263	+03.83	-01.35	+00.91	+03.01	+00.61
24	-03.00 +001.5	+03.51 +002.1	+01.89 +000.3	+15.00 0257	+02.73	-01.19	+00.79	+02.69	+00.57
25	-03.00 +001.5	+04.01 +003.3	+01.89 +000.3	+15.57 0168	+02.02	-00.90	+00.74	+02.11	+00.41
26	-03.00 +001.7	+04.51 +003.9	+01.88 +000.3	+15.30 0171	+02.08	-00.96	+00.76	+02.75	+00.53
27	-03.00 +001.9	+05.01 +011.3	+01.88 +000.4	+15.06 0168	+01.01	-00.76	+00.75	+02.98	+00.56
28	-03.00 +001.9	+05.51 +008.5	+01.87 +000.4	+15.25 0174	+01.17	-00.68	+00.72	+02.81	+00.48
29	-03.00 +001.6	+06.01 +019.6	+01.87 +000.3	+14.79 0166	+00.55	-00.54	+00.76	+02.37	+00.47
30	-03.00 +001.5	+06.51 +047.2	+01.86 +000.3	+14.99 0172	+00.12	-00.45	+00.68	+02.20	+00.40
31	-03.00 +001.6	+07.01 +059.7	+01.86 +000.3	+14.93 0171	+00.01	-00.42	+00.66	+02.59	+00.46
32	-03.00 +001.6	+07.51 +053.7	+01.85 +000.3	+15.05 0096	-00.15	-00.42	+00.61	+02.13	+00.38
33	-03.00 +001.7	+08.01 +043.6	+01.84 +000.3	+14.78 0094	-00.34	-00.31	+00.64	+02.17	+00.44

FILE:DAT27

No.	Xcm DELxy	Ycm DELyz	Zcm DELzx	Um/s Navg	Vm/s	Wm/s	Su	Sv	Sw
1	-02.71 +000.9	-07.99 +056.1	+02.00 +000.2	+14.95 0193	-00.13	-00.20	+00.64	+01.77	+00.37
2	-02.71 +000.9	-07.49 +034.0	+02.00 +000.2	+15.23 0192	-00.00	-00.38	+00.55	+01.62	+00.35
3	-02.71 +001.1	-06.99 +018.1	+02.00 +000.2	+15.31 0190	-00.55	-00.39	+00.69	+02.03	+00.46
4	-02.71 +001.3	-06.49 +011.8	+02.00 +000.3	+15.34 0191	-00.85	-00.35	+00.78	+02.37	+00.54
5	-02.71 +001.2	-05.99 +007.7	+01.99 +000.3	+15.33 0191	-01.23	-00.48	+00.96	+02.35	+00.51
6	-02.71 +001.1	-05.49 +004.9	+01.99 +000.2	+15.71 0190	-01.60	-00.53	+00.70	+02.20	+00.41
7	-02.71 +001.3	-04.99 +003.8	+01.99 +000.3	+15.49 0190	-02.26	-00.59	+01.00	+02.49	+00.56
8	-02.71 +001.5	-04.49 +006.1	+01.98 +000.3	+15.68 0194	-01.99	-00.87	+00.95	+02.96	+00.60
9	-02.71 +001.3	-03.99 +003.8	+01.98 +000.3	+15.97 0192	-02.78	-01.03	+00.82	+02.75	+00.54
10	-02.71 +001.3	-03.49 +002.3	+01.97 +000.3	+15.03 0190	-03.89	-01.15	+00.85	+02.53	+00.52
11	-02.71 +001.6	-02.99 +002.1	+01.97 +000.4	+14.53 0190	-05.11	-01.46	+00.87	+03.12	+00.65
12	-02.71 +001.4	-02.49 +001.7	+01.96 +000.4	+13.19 0356	-05.79	-01.79	+00.87	+03.15	+00.74
13	-02.71 +001.9	-01.99 +002.1	+01.95 +000.5	+11.45 0346	-06.28	-02.04	+00.97	+04.31	+00.93
14	-02.71 +002.1	-01.49 +002.1	+01.95 +000.7	+08.89 0875	-06.38	-02.25	+01.64	+06.76	+01.55
15	-02.71 +004.2	-00.99 +004.2	+01.95 +001.6	+06.84 0703	-06.15	-02.38	+02.25	+11.39	+02.57
16	-02.71 +004.2	-00.49 +002.6	+01.94 +002.1	+06.04 1200	-06.47	-00.70	+02.72	+15.67	+03.68
17	-02.71 +006.6	+00.01 +001.9	+01.94 +002.3	+05.51 1385	-04.13	+00.69	+02.91	+18.36	+04.02
18	-02.71 +011.6	+00.51 +033.3	+01.94 +002.7	+06.79 0710	-00.81	-00.12	+02.65	+18.33	+04.12
19	-02.71 +008.0	+01.01 +005.7	+01.93 +002.2	+08.21 0355	+04.38	-02.32	+01.99	+13.37	+03.14

20	-02.71 +005.2	+01.51 +002.6	+01.93 +001.5	+10.90 0190	+05.70	-02.14	+01.45	+08.78	+02.11
21	-02.71 +003.0	+02.01 +001.6	+01.93 +000.8	+13.36 0191	+05.90	-02.10	+01.10	+05.83	+01.40
22	-02.71 +002.1	+02.51 +001.4	+01.92 +000.5	+14.04 0191	+04.96	-01.74	+00.91	+04.11	+00.87
23	-02.71 +001.6	+03.01 +001.8	+01.92 +000.4	+14.68 0192	+03.41	-01.33	+01.07	+03.14	+00.66
24	-02.71 +001.5	+04.01 +003.4	+01.91 +000.3	+15.62 0188	+01.92	-00.97	+00.76	+02.82	+00.66
25	-02.71 +001.1	+05.01 +012.2	+01.90 +000.2	+15.57 0191	+00.57	-00.55	+00.75	+02.08	+00.45
26	-02.71 +001.1	+06.01 +025.2	+01.90 +000.2	+15.15 0194	+00.26	-00.47	+00.84	+02.10	+00.45
27	-02.71 +001.1	+07.01 +027.8	+01.89 +000.2	+15.23 0191	-00.34	-00.39	+00.66	+02.11	+00.40
28	-02.71 +001.3	+08.01 +022.6	+01.89 +000.2	+14.93 0190	-00.47	-00.31	+00.73	+02.33	+00.42

 FILE:DAT28

No.	Xcm DELxy	Ycm DELyZ	Zcm DELzx	Um/s Navg	Vm/s	Wm/s	Su	Sv	Sw
1	-01.99 +001.6	+08.02 +030.4	+02.00 +000.4	+15.35 0287	-00.46	-00.24	+00.66	+03.65	+00.90
2	-01.99 +001.6	+07.52 +064.9	+02.00 +000.3	+15.46 0289	-00.08	-00.38	+00.83	+03.82	+00.81
3	-01.99 +001.4	+07.02 +041.9	+02.00 +000.3	+15.88 0290	-00.32	-00.30	+00.68	+03.40	+00.77
4	-01.99 +001.4	+06.52 +060.4	+02.00 +000.3	+15.98 0293	-00.04	-00.37	+00.78	+03.37	+00.72
5	-01.99 +001.6	+06.02 +029.9	+02.00 +000.3	+15.95 0286	+00.36	-00.42	+00.96	+03.75	+00.79
6	-01.99 +001.5	+05.52 +007.9	+02.01 +000.3	+16.83 0293	+01.06	-00.61	+00.80	+03.95	+00.87
7	-01.99 +002.0	+05.02 +004.4	+02.01 +000.4	+16.39 0289	+01.87	-00.79	+01.09	+04.96	+01.05
8	-01.99 +001.7	+04.52 +002.8	+02.01 +000.4	+17.82 0290	+02.41	-00.99	+00.98	+04.56	+01.08
9	-01.99 +001.7	+04.02 +001.9	+02.02 +000.4	+17.82 0288	+03.20	-01.13	+00.87	+04.74	+01.10
10	-01.99 +002.0	+03.72 +001.7	+02.02 +000.4	+17.30 0291	+04.17	-01.40	+01.01	+05.41	+01.15
11	-01.99 +001.6	+03.42 +001.0	+02.02 +000.4	+17.83 0290	+05.62	-01.76	+01.03	+04.85	+01.13
12	-01.99 +001.9	+03.12 +001.0	+02.02 +000.4	+17.76 0289	+06.19	-01.67	+00.99	+05.62	+01.19
13	-01.99 +001.6	+02.82 +000.7	+02.02 +000.4	+17.13 0777	+07.86	-02.06	+01.00	+06.90	+01.44
14	-01.99 +002.3	+02.52 +000.7	+02.02 +000.7	+16.08 0761	+09.81	-01.96	+01.36	+10.74	+02.36
15	-01.99 +002.8	+02.22 +001.4	+02.01 +000.9	+15.32 1497	+09.22	-00.21	+01.97	+17.58	+04.25
16	-01.99 +006.8	+02.02 +012.0	+02.02 +001.6	+14.68 1041	+05.60	+06.12	+02.79	+30.94	+07.40
17	-01.99 +007.9	+01.92 +008.4	+02.02 +001.1	+13.62 1580	-01.36	+12.02	+03.16	+37.20	+09.47
18	-01.99 +003.8	+01.82 +003.1	+02.02 +000.7	+12.80 1883	-14.65	+20.66	+03.61	+42.39	+10.40

 FILE:DRT29

No.	Xcm DELxy	Ycm DELyz	Zcm DELzx	Um/s Navg	Vm/s	Wm/s	Su	Sv	Sw
1	-01.00 +001.4	+08.02 +004.7	+02.00 +000.3	+15.43 0292	-01.11	-00.04	+00.69	+03.27	+00.71
2	-01.00 +001.5	+07.52 +005.3	+02.00 +000.3	+15.58 0290	-01.23	-00.12	+00.94	+03.47	+00.72
3	-01.00 +001.4	+07.02 +007.0	+02.00 +000.3	+16.16 0290	-01.14	-00.15	+00.86	+03.51	+00.83
4	-01.00 +001.7	+06.52 +026.8	+02.00 +000.4	+16.54 0289	-00.56	-00.25	+00.93	+04.12	+01.01
5	-01.00 +001.3	+06.02 +024.1	+02.01 +000.3	+16.99 0292	-00.51	-00.28	+01.00	+03.29	+00.74
6	-01.00 +001.8	+05.52 +027.4	+02.01 +000.4	+17.17 0289	-00.61	-00.31	+01.12	+04.66	+01.00
7	-01.00 +001.5	+05.02 +046.6	+02.01 +000.3	+17.90 0289	+00.16	-00.47	+01.17	+03.96	+00.92
8	-01.00 +001.5	+04.52 +052.2	+02.02 +000.4	+19.56 0289	-00.09	-00.55	+01.15	+04.36	+01.06
9	-01.00 +001.4	+04.02 +002.8	+02.02 +000.3	+20.61 0287	+02.46	-01.05	+01.14	+04.43	+01.04
10	-01.00 +001.5	+03.52 +001.5	+02.02 +000.3	+21.39 0522	+04.32	-01.39	+01.15	+05.95	+01.32
11	-01.00 +001.6	+03.02 +000.7	+02.02 +000.4	+22.18 2449	+08.65	-00.72	+01.60	+15.80	+03.20
12	-01.00 +002.3	+02.82 +004.6	+02.03 +000.5	+22.31 3188	+07.04	+04.22	+02.17	+27.05	+05.94
13	-01.00 +004.7	+02.62 +005.4	+02.03 +000.8	+21.49 1880	-06.55	+15.84	+03.46	+42.53	+10.09

FILE:DAT30

No.	Xcm DELxy	Ycm DELyz	Zcm DELzx	Um/s Navg	Vm/s	Wm/s	Su	Sv	Sw
1	+00.00 +001.6	+08.02 +002.2	+02.00 +000.4	+16.02 0290	-02.10	+00.13	+00.83	+03.92	+00.86
2	+00.00 +001.8	+07.52 +004.2	+02.00 +000.4	+15.98 0288	-01.32	+00.06	+00.84	+04.32	+01.00
3	+00.00 +001.7	+07.02 +003.8	+02.00 +000.4	+16.25 0287	-01.85	-00.03	+00.96	+04.12	+00.99
4	+00.00 +001.5	+06.52 +002.2	+02.00 +000.3	+16.83 0288	-02.01	+00.17	+00.90	+03.81	+00.88
5	+00.00 +001.6	+06.02 +002.6	+02.01 +000.3	+17.21 0291	-01.73	+00.12	+01.02	+04.33	+00.90
6	+00.00 +001.6	+05.52 +003.6	+02.01 +000.4	+18.01 0292	-01.72	+00.03	+01.16	+04.44	+01.00
7	+00.00 +001.5	+05.02 +002.0	+02.01 +000.3	+19.05 0290	-02.24	+00.21	+01.14	+04.40	+00.96
8	+00.00 +001.4	+04.52 +002.5	+02.02 +000.3	+19.57 0290	-01.92	+00.14	+01.35	+04.30	+00.94
9	+00.00 +001.6	+04.02 +014.1	+02.02 +000.4	+21.48 0287	-00.93	-00.19	+01.54	+05.17	+01.14
10	+00.00 +001.3	+03.72 +007.6	+02.03 +000.3	+22.76 0517	-01.04	-00.06	+01.30	+05.01	+01.15
11	+00.00 +001.5	+03.42 +343.2	+02.03 +000.3	+24.34 1247	-00.05	+00.06	+01.59	+09.95	+01.86
12	+00.00 +002.3	+03.22 +055.5	+02.03 +000.5	+25.08 1004	-00.13	+00.98	+01.68	+14.18	+03.06
13	+00.00 +002.2	+03.02 +009.0	+02.03 +000.5	+25.62 3449	+01.53	+06.21	+01.94	+28.97	+06.52

FILE:DRT31

No.	Xcm DELxy	Ycm DELyz	Zcm DELzx	Um/s Navg	Vm/s	Wm/s	Su	Sv	Sw
1	+01.00 +001.2	+08.02 +001.3	+02.00 +000.3	+15.86 0289	-02.57	+00.20	+00.82	+02.99	+00.65
2	+01.00 +001.3	+07.52 +002.0	+02.00 +000.3	+16.14 0292	-01.88	+00.09	+00.87	+03.32	+00.69
3	+01.00 +001.6	+07.02 +001.7	+02.01 +000.4	+16.79 0289	-02.33	+00.28	+00.83	+04.18	+00.92
4	+01.00 +001.6	+06.52 +001.4	+02.01 +000.3	+16.84 0289	-02.47	+00.30	+00.99	+04.09	+00.77
5	+01.00 +001.6	+06.02 +001.4	+02.02 +000.4	+17.31 0291	-03.13	+00.29	+01.04	+04.35	+00.92
6	+01.00 +001.4	+05.52 +001.0	+02.02 +000.3	+18.18 0290	-03.60	+00.51	+01.00	+03.97	+00.87
7	+01.00 +001.6	+05.02 +001.3	+02.03 +000.4	+18.57 0290	-03.13	+00.55	+01.26	+04.59	+01.02
8	+01.00 +001.5	+04.52 +000.9	+02.04 +000.3	+19.99 0292	-04.81	+01.04	+01.41	+04.77	+01.02
9	+01.00 +001.8	+04.02 +001.1	+02.04 +000.4	+20.80 0288	-05.40	+01.26	+01.62	+05.84	+01.18
10	+01.00 +001.6	+03.52 +000.9	+02.05 +000.3	+22.39 0516	-07.01	+01.68	+01.55	+06.77	+01.35
11	+01.00 +001.8	+03.32 +000.9	+02.05 +000.5	+23.32 0513	-08.31	+02.33	+01.92	+07.71	+01.79
12	+01.00 +002.1	+03.12 +001.1	+02.06 +000.5	+23.65 0757	-09.67	+03.38	+01.88	+12.48	+02.99
13	+01.00 +001.8	+02.92 +001.3	+02.06 +000.5	+23.53 2460	-13.30	+07.81	+02.24	+22.65	+05.39
14	+01.00 +001.7	+02.82 +001.3	+02.06 +000.5	+23.13 4122	-17.34	+13.14	+02.58	+33.75	+08.28

FILE:DAT32

No.	Xcm DELxy	Ycm DELyz	Zcm DELzx	Um/s Navg	Vm/s	Wm/s	Su	Sv	Sw
1	+02.00 +001.1	+08.02 +000.6	+01.99 +000.2	+15.45 0289	-03.74	+00.46	+00.69	+02.70	+00.52
2	+02.00 +001.6	+07.02 +000.9	+01.99 +000.2	+15.44 0290	-03.37	+00.53	+00.89	+04.04	+00.57
3	+02.00 +001.0	+06.02 +000.5	+02.00 +000.2	+16.17 0290	-04.76	+00.86	+00.90	+02.71	+00.55
4	+02.00 +001.6	+05.02 +001.1	+02.00 +000.3	+16.94 0284	-05.18	+01.46	+01.01	+04.48	+00.69
5	+02.00 +001.7	+04.02 +001.0	+02.01 +000.4	+16.53 0285	-06.54	+02.14	+01.23	+04.74	+00.96
6	+02.00 +001.9	+03.02 +000.9	+02.02 +000.5	+17.57 0287	-11.43	+04.05	+01.63	+07.04	+01.43
7	+02.00 +001.9	+03.02 +000.8	+02.01 +000.6	+16.96 0288	-11.34	+03.97	+01.68	+06.82	+01.46
8	+02.00 +001.8	+02.82 +000.7	+02.01 +000.6	+17.47 0287	-13.47	+04.66	+01.85	+07.49	+01.65
9	+02.00 +001.4	+02.62 +000.6	+02.02 +000.5	+15.72 0525	-15.21	+05.42	+01.88	+07.88	+01.64
10	+02.00 +001.2	+02.42 +000.6	+02.02 +000.6	+15.75 0781	-18.50	+06.93	+02.18	+09.81	+02.18
11	+02.00 +001.0	+02.02 +000.8	+02.02 +000.6	+12.27 1257	-23.06	+11.53	+03.12	+16.33	+03.62
12	+02.00 +001.0	+02.22 +000.5	+02.02 +000.7	+14.21 1034	-25.10	+10.36	+02.45	+14.66	+03.51

FILE:DAT33

No.	Xcm DELxy	Ycm DELyZ	Zcm DELzX	Um/s Navg	Vm/s	Wm/s	Su	Sv	Sw
1	+02.50 +001.2	+08.02 +000.7	+01.99 +000.2	+15.38 0291	-03.39	+00.43	+00.70	+03.07	+00.47
2	+02.50 +001.2	+07.02 +000.6	+01.99 +000.3	+15.57 0288	-04.37	+00.69	+00.85	+02.98	+00.61
3	+02.50 +001.4	+06.02 +000.8	+02.00 +000.3	+15.33 0287	-04.88	+01.23	+01.01	+03.48	+00.65
4	+02.50 +001.5	+05.02 +000.7	+02.00 +000.4	+15.64 0287	-06.33	+01.71	+01.15	+04.22	+00.87
5	+02.50 +001.7	+04.02 +000.9	+02.01 +000.4	+15.84 0290	-08.12	+02.87	+01.46	+05.01	+01.03
6	+02.50 +001.5	+04.52 +000.8	+02.02 +000.4	+16.39 0287	-06.78	+02.13	+01.29	+04.42	+00.95
7	+02.50 +001.5	+05.02 +000.9	+02.01 +000.3	+16.23 0288	-05.90	+01.68	+01.03	+04.06	+00.72
8	+02.50 +001.5	+05.02 +000.8	+02.01 +000.4	+16.11 0285	-05.76	+01.64	+01.16	+04.17	+00.89
9	+02.50 +001.7	+04.52 +000.8	+02.01 +000.4	+16.00 0287	-06.96	+02.15	+01.16	+04.76	+01.00
10	+02.50 +002.0	+04.02 +001.3	+02.01 +000.4	+15.99 0290	-07.52	+02.86	+01.44	+05.94	+01.02
11	+02.50 +001.9	+03.52 +001.0	+02.02 +000.5	+15.92 0286	-09.69	+03.60	+01.37	+06.05	+01.18
12	+02.50 +002.1	+03.02 +001.2	+02.02 +000.5	+15.45 0290	-10.50	+04.48	+01.62	+06.98	+01.31
13	+02.50 +002.1	+02.52 +001.0	+02.03 +000.8	+13.24 0286	-13.30	+05.56	+01.86	+08.23	+01.80
14	+02.50 +001.7	+02.02 +001.0	+02.03 +000.7	+11.26 0512	-13.58	+07.04	+01.48	+08.14	+01.70
15	+02.50 +001.3	+01.82 +000.8	+02.04 +000.8	+09.93 0775	-16.65	+08.33	+01.81	+10.86	+02.62
16	+02.50 +001.2	+01.42 +001.3	+02.04 +000.7	+07.03 1552	-17.23	+12.83	+02.97	+19.51	+04.03
17	+02.50 +000.6	+01.22 +001.2	+02.04 +000.5	+03.22 2423	-18.89	+16.65	+03.79	+24.14	+04.85
18	+02.50 +000.5	+01.02 +001.3	+02.04 +000.4	-00.79 2705	-18.25	+20.27	+04.01	+25.57	+05.38
19	+02.50 +001.4	+00.82 +002.3	+02.05 +000.6	-03.26 1365	-15.35	+22.90	+04.14	+28.12	+05.55

20	+02.50 +003.0	+00.62 +002.5	+02.05 +000.4	-05.22 1934	-10.86	+26.00	+04.30	+31.44	+05.80
21	+02.50 +008.2	+00.42 +002.7	+02.05 +000.4	-06.67 1930	-05.02	+29.65	+04.13	+33.18	+05.68
22	+02.50 +015.9	+00.22 +003.5	+02.05 +000.5	-07.18 1120	-00.06	+32.18	+04.57	+33.76	+06.07
23	+02.50 +011.2	+00.02 +003.2	+02.05 +000.4	-07.77 1090	+04.11	+34.96	+04.14	+32.37	+05.76

FILE:DAT34

No.	Xcm DELxy	Ycm DELYz	Zcm DELzx	Um/s Navg	Vm/s	Wm/s	Su	Sv	Sw
1	+03.00 +001.6	-07.99 +002.1	+02.01 +000.3	+14.33 0292	+03.31	+00.54	+00.84	+03.79	+00.55
2	+03.00 +001.0	-06.99 +001.5	+02.01 +000.2	+15.16 0290	+03.62	+00.79	+00.99	+02.51	+00.46
3	+03.00 +001.3	-05.99 +002.3	+02.00 +000.3	+14.96 0283	+04.02	+01.16	+01.08	+03.00	+00.72
4	+03.00 +001.5	-04.99 +002.6	+02.00 +000.4	+15.28 0288	+05.07	+01.91	+01.25	+03.85	+00.93
5	+03.00 +001.7	-03.99 +002.7	+02.00 +000.5	+14.42 0287	+06.08	+03.07	+01.64	+04.36	+01.06
6	+03.00 +002.0	-02.99 +002.5	+01.99 +000.6	+12.87 0289	+08.32	+04.46	+01.46	+05.41	+01.24
7	+03.00 +002.9	-01.99 +003.3	+01.99 +001.0	+09.67 0288	+09.68	+05.86	+01.64	+08.37	+01.83
8	+03.00 +003.0	-00.99 +003.9	+01.99 +001.1	+03.86 1003	+07.36	+07.26	+02.34	+13.03	+02.73
9	+03.00 +003.7	+00.01 +003.7	+01.98 +001.5	-03.21 1594	-06.39	+05.76	+02.99	+20.02	+03.93
10	+03.00 +001.8	+01.01 +002.0	+01.98 +001.6	+03.10 1079	-10.40	+07.03	+03.11	+15.41	+03.16
11	+03.00 +002.0	+02.01 +001.4	+01.98 +000.7	+10.48 0525	-10.83	+06.24	+01.54	+07.91	+01.66
12	+03.00 +002.0	+03.01 +001.1	+01.97 +000.6	+13.29 0286	-10.27	+04.60	+01.70	+06.36	+01.26
13	+03.00 +002.0	+04.01 +001.3	+01.97 +000.4	+15.03 0288	-07.26	+02.97	+01.20	+05.48	+00.98
14	+03.00 +001.7	+05.01 +001.1	+01.97 +000.4	+15.32 0287	-05.52	+01.73	+01.09	+04.61	+00.83
15	+03.00 +001.2	+06.01 +000.7	+01.96 +000.2	+15.49 0290	-05.05	+01.26	+00.97	+03.23	+00.52
16	+03.00 +001.2	+07.01 +000.6	+01.95 +000.2	+15.21 0291	-04.21	+00.77	+00.84	+02.92	+00.40
17	+03.00 +001.1	+08.01 +000.7	+01.95 +000.2	+15.03 0283	-03.31	+00.44	+00.65	+02.63	+00.47
18	+03.00 +001.2	+09.01 +000.7	+01.94 +000.2	+14.85 0288	-03.26	+00.34	+00.62	+02.92	+00.47

 FILE:DAT35

No.	Xcm DELxy	Ycm DELYz	Zcm DELzx	Um/s Navg	Vm/s	Wm/s	Su	Sv	Sw
1	+03.99 +000.7	-10.02 +000.9	+02.01 +000.1	+16.19 0192	+03.19	+00.26	+00.76	+01.44	+00.27
2	+03.99 +000.9	-09.02 +001.3	+02.01 +000.2	+16.49 0191	+03.29	+00.45	+00.69	+01.83	+00.34
3	+03.99 +000.9	-08.02 +001.2	+02.00 +000.2	+16.90 0191	+04.06	+00.66	+00.89	+02.00	+00.36
4	+03.99 +000.8	-07.02 +001.1	+02.00 +000.2	+17.05 0192	+04.80	+01.02	+00.97	+01.84	+00.34
5	+03.99 +001.2	-06.02 +002.2	+01.99 +000.3	+16.71 0189	+04.84	+01.80	+01.09	+02.58	+00.61
6	+03.99 +001.4	-05.02 +002.7	+01.99 +000.4	+15.14 0190	+04.78	+02.52	+01.05	+02.82	+00.66
7	+03.99 +001.9	-04.02 +003.0	+01.98 +000.5	+12.38 0193	+05.41	+02.89	+01.32	+03.47	+00.79
8	+03.99 +003.2	-03.02 +004.3	+01.98 +001.0	+09.41 0190	+05.28	+02.84	+01.18	+04.75	+01.17
9	+03.99 +003.2	-02.02 +003.7	+01.98 +001.0	+07.65 0338	+05.99	+03.83	+01.27	+05.31	+01.26
10	+03.99 +004.1	-01.02 +004.7	+01.97 +001.2	+04.67 1456	+04.69	+03.29	+01.79	+11.37	+02.38
11	+03.99 +006.6	-00.02 +004.7	+01.97 +003.4	+02.49 0886	-04.28	+02.10	+02.38	+17.18	+03.28
12	+03.99 +002.7	+00.98 +001.2	+01.96 +002.0	+05.59 0506	-10.03	+03.77	+02.04	+10.89	+02.67
13	+03.99 +003.0	+01.98 +001.9	+01.96 +001.1	+09.01 0355	-08.89	+04.80	+01.54	+08.21	+01.74
14	+03.99 +003.6	+02.98 +002.7	+01.95 +000.9	+11.10 0192	-07.16	+04.05	+01.55	+07.03	+01.35
15	+03.99 +002.8	+03.98 +001.6	+01.95 +000.8	+12.51 0191	-07.26	+02.99	+01.44	+05.77	+01.19
16	+03.99 +002.1	+04.98 +001.4	+01.95 +000.5	+13.65 0190	-05.54	+02.14	+01.27	+03.98	+00.81
17	+03.99 +002.1	+05.98 +001.1	+01.94 +000.5	+14.20 0191	-05.36	+01.50	+00.92	+04.21	+00.81
18	+03.99 +001.6	+06.98 +001.1	+01.94 +000.3	+14.31 0190	-03.73	+00.94	+00.89	+03.01	+00.49
19	+03.99 +001.5	+07.98 +000.7	+01.93 +000.3	+13.96 0192	-03.79	+00.67	+00.72	+02.67	+00.45

20	+03.99	+08.98	+01.93	+14.27	-02.93	+00.42	+00.76	+03.88	+00.41
	+002.2	+001.1	+000.2	0193					

21	+03.99	+09.98	+01.92	+13.96	-03.35	+00.37	+00.61	+02.27	+00.39
	+001.2	+000.7	+000.2	0193					

 FILE:DAT36

No.	Xcm DELxy	Ycm DELyz	Zcm DELzx	Um/s Navg	Vm/s	Wm/s	Su	Sv	Sw
1	+05.00 +000.9	-10.02 +001.5	+02.01 +000.2	+14.24 0193	+02.63	+00.44	+00.55	+01.58	+00.30
2	+05.00 +000.9	-09.02 +001.8	+02.01 +000.2	+13.48 0191	+02.63	+00.62	+00.62	+01.46	+00.32
3	+05.00 +001.1	-08.02 +001.8	+02.00 +000.2	+12.37 0193	+03.08	+00.73	+00.73	+01.71	+00.38
4	+05.00 +001.4	-07.02 +003.6	+02.00 +000.4	+11.93 0189	+02.69	+01.14	+00.82	+02.17	+00.56
5	+05.00 +001.4	-06.02 +003.1	+01.99 +000.4	+11.98 0192	+03.23	+01.49	+00.79	+02.21	+00.54
6	+05.00 +002.0	-05.02 +004.0	+01.99 +000.5	+11.51 0192	+03.54	+01.89	+00.97	+03.09	+00.73
7	+05.00 +002.4	-04.02 +004.4	+01.99 +000.7	+10.30 0191	+03.87	+02.64	+01.20	+03.39	+00.88
8	+05.00 +002.7	-03.02 +004.7	+01.98 +000.7	+09.33 0345	+03.90	+03.07	+01.22	+04.11	+01.01
9	+05.00 +003.5	-02.02 +004.3	+01.98 +001.1	+07.51 0504	+05.10	+02.84	+01.36	+06.34	+01.54
10	+05.00 +006.8	-01.02 +014.7	+01.98 +001.2	+05.28 1548	+01.40	+01.92	+01.69	+13.05	+02.27
11	+05.00 +008.2	-00.02 +007.7	+01.97 +001.8	+04.28 1382	-01.18	-00.06	+01.51	+12.47	+02.38
12	+05.00 +003.7	+00.98 +001.0	+01.96 +001.6	+05.76 1057	-05.27	+01.10	+01.68	+10.63	+02.52
13	+05.00 +002.7	+01.98 +001.4	+01.96 +001.0	+07.82 0513	-07.16	+03.19	+01.36	+06.92	+01.57
14	+05.00 +002.8	+02.98 +002.2	+01.96 +000.7	+09.10 0350	-05.46	+03.10	+01.20	+04.75	+01.02
15	+05.00 +002.8	+03.98 +002.2	+01.96 +000.7	+10.32 0192	-05.19	+02.74	+01.19	+04.48	+00.91
16	+05.00 +002.8	+04.98 +003.3	+01.95 +000.7	+11.66 0190	-03.31	+01.85	+00.89	+04.31	+00.96
17	+05.00 +002.2	+05.98 +002.4	+01.95 +000.4	+11.77 0196	-03.30	+01.42	+00.74	+03.51	+00.59
18	+05.00 +001.7	+06.98 +001.0	+01.94 +000.4	+11.90 0192	-03.96	+01.18	+00.98	+02.72	+00.56
19	+05.00 +001.5	+07.98 +001.2	+01.94 +000.3	+12.57 0190	-02.80	+00.72	+00.55	+02.50	+00.46

20	+05.00	+08.98	+01.93	+12.30	-03.05	+00.61	+00.61	+02.31	+00.48
	+001.4	+000.8	+000.3	0195					

21	+05.00	+09.98	+01.93	+12.61	-02.91	+00.42	+00.56	+02.22	+00.39
	+001.3	+000.7	+000.3	0194					

FILE:DAT37

No.	Xcm DELxy	Ycm DELyz	Zcm DELzx	Um/s Navg	Vm/s	Wm/s	Su	Sv	Sw
1	+07.50 +001.3	-10.02 +002.3	+02.01 +000.3	+11.18 0193	+02.47	+00.50	+00.72	+01.89	+00.40
2	+07.50 +001.2	-09.02 +002.3	+02.01 +000.2	+11.28 0191	+02.40	+00.60	+00.64	+01.75	+00.32
3	+07.50 +001.5	-08.02 +003.6	+02.00 +000.3	+11.20 0192	+02.35	+00.81	+00.65	+02.23	+00.47
4	+07.50 +001.6	-07.02 +003.1	+02.00 +000.3	+11.15 0192	+02.82	+01.01	+00.67	+02.32	+00.47
5	+07.50 +002.1	-06.02 +004.6	+01.99 +000.5	+09.78 0194	+02.62	+01.26	+00.89	+02.68	+00.66
6	+07.50 +002.7	-05.02 +006.6	+01.99 +000.7	+09.32 0191	+02.54	+01.78	+01.10	+03.38	+00.83
7	+07.50 +003.5	-04.02 +006.0	+01.99 +001.1	+08.78 0192	+03.53	+01.79	+01.36	+04.39	+01.16
8	+07.50 +003.7	-03.02 +005.4	+01.98 +001.0	+07.89 0330	+03.55	+01.79	+01.47	+04.45	+01.03
9	+07.50 +005.2	-02.02 +009.2	+01.98 +001.2	+06.68 0854	+02.28	+01.19	+01.61	+08.74	+01.84
10	+07.50 +006.2	-01.02 +005.5	+01.98 +001.3	+05.78 1252	+01.25	-00.36	+01.52	+11.94	+02.38
11	+07.50 +006.9	-00.02 +024.8	+01.97 +001.4	+05.38 0873	+00.57	-01.12	+01.52	+09.36	+01.91
12	+07.50 +005.5	+00.98 +005.8	+01.97 +001.6	+05.96 0695	-02.66	-00.50	+01.51	+08.49	+02.10
13	+07.50 +004.3	+01.98 +001.3	+01.97 +001.4	+06.80 0690	-03.79	+00.91	+01.64	+08.30	+02.14
14	+07.50 +002.9	+02.98 +001.5	+01.97 +000.8	+08.04 0496	-05.23	+02.09	+01.44	+05.50	+01.14
15	+07.50 +003.1	+03.98 +002.3	+01.96 +000.8	+09.18 0190	-04.11	+01.97	+01.43	+04.15	+00.89
16	+07.50 +003.5	+04.98 +004.1	+01.96 +000.8	+09.38 0192	-02.94	+01.67	+01.37	+04.43	+00.88
17	+07.50 +002.8	+05.98 +003.6	+01.95 +000.6	+10.41 0192	-02.74	+01.45	+01.03	+03.82	+00.77
18	+07.50 +002.0	+06.98 +001.6	+01.95 +000.4	+11.10 0188	-03.38	+01.19	+00.87	+02.95	+00.54
19	+07.50 +001.7	+07.98 +001.5	+01.94 +000.3	+11.74 0190	-02.73	+00.81	+00.65	+02.59	+00.48

20	+07.50	+08.98	+01.94	+12.12	-02.76	+00.66	+00.69	+02.62	+00.37
	+001.6	+001.3	+000.3	0193					

21	+07.50	+09.98	+01.93	+12.27	-03.43	+00.57	+00.60	+02.13	+00.35
	+001.3	+000.6	+000.2	0192					

 FILE: DAT3B

No.	Xcm DELxy	Ycm DELyz	Zcm DELzx	Um/s Navg	Vm/s	Wm/s	Su	Sv	Sw
1	+09.99 +000.7	-12.01 +001.0	+02.01 +000.1	+12.27 0285	+02.62	+00.32	+00.52	+01.40	+00.27
2	+09.99 +000.9	-11.01 +001.4	+02.01 +000.2	+11.93 0286	+02.63	+00.39	+00.59	+01.76	+00.34
3	+09.99 +001.1	-10.01 +002.9	+02.00 +000.2	+11.97 0288	+02.08	+00.60	+00.65	+02.09	+00.44
4	+09.99 +001.3	-09.01 +002.8	+02.00 +000.3	+11.50 0285	+02.44	+00.71	+00.77	+02.31	+00.51
5	+09.99 +001.2	-08.01 +003.3	+02.00 +000.3	+11.65 0287	+02.27	+00.94	+00.76	+02.31	+00.45
6	+09.99 +001.6	-07.01 +003.2	+02.00 +000.4	+10.72 0289	+02.84	+01.17	+01.09	+02.74	+00.58
7	+09.99 +002.1	-06.01 +005.3	+02.00 +000.5	+10.76 0289	+02.63	+01.47	+01.22	+03.68	+00.87
8	+09.99 +003.1	-05.01 +010.3	+02.00 +000.7	+09.72 0285	+01.77	+01.73	+01.58	+04.67	+01.01
9	+09.99 +003.9	-04.01 +008.8	+01.99 +000.9	+09.42 0283	+02.68	+01.84	+01.70	+05.98	+01.35
10	+09.99 +004.0	-03.01 +011.6	+01.99 +000.8	+07.90 0732	+01.69	+01.47	+01.69	+06.43	+01.32
11	+09.99 +005.8	-02.01 +042.6	+01.98 +001.2	+06.76 1069	+00.50	+00.70	+01.99	+11.08	+02.23
12	+09.99 +006.0	-01.01 +042.4	+01.98 +001.2	+06.02 1330	-00.49	-00.28	+01.87	+11.56	+02.30
13	+09.99 +005.8	-00.01 +011.3	+01.97 +001.4	+05.68 1029	-01.64	-00.68	+01.87	+09.10	+01.94
14	+09.99 +006.5	+00.99 +017.8	+01.97 +001.6	+05.80 0768	-01.31	-00.83	+01.89	+08.70	+02.02
15	+09.99 +004.7	+01.99 +002.3	+01.96 +001.4	+06.55 1044	-02.49	+00.32	+02.07	+09.37	+02.49
16	+09.99 +003.5	+02.99 +002.4	+01.96 +001.0	+08.31 0759	-03.29	+01.42	+01.86	+06.92	+01.73
17	+09.99 +003.9	+03.99 +003.3	+01.95 +001.0	+09.02 0285	-03.49	+01.79	+02.03	+06.02	+01.35
18	+09.99 +002.6	+04.99 +002.9	+01.95 +000.6	+10.27 0283	-03.15	+01.73	+01.51	+04.37	+00.97
19	+09.99 +002.7	+05.99 +002.9	+01.94 +000.6	+10.38 0285	-03.06	+01.54	+01.39	+04.55	+00.95

20	+09.99 +001.8	+06.99 +002.1	+01.93 +000.4	+11.60 0289	-02.85	+01.23	+01.21	+03.34	+00.63
21	+09.99 +001.6	+07.99 +001.2	+01.93 +000.4	+12.15 0285	-03.27	+01.10	+00.92	+03.09	+00.66
22	+09.99 +001.1	+08.99 +000.7	+01.92 +000.2	+12.69 0288	-03.28	+00.77	+00.72	+02.33	+00.44
23	+09.99 +001.0	+09.99 +000.6	+01.92 +000.2	+12.86 0289	-02.89	+00.56	+00.66	+02.09	+00.36
24	+09.99 +001.0	+10.99 +000.6	+01.91 +000.2	+12.77 0289	-02.75	+00.44	+00.54	+02.09	+00.34
25	+09.99 +000.9	+11.99 +000.5	+01.91 +000.2	+12.89 0286	-02.98	+00.40	+00.54	+01.77	+00.30

FILE:DAT39

No.	Xcm DELxy	Ycm DELyZ	Zcm DELzx	Um/s Navg	Vm/s	Wm/s	Su	Sv	Sw
1	+15.00 +000.8	-12.01 +001.1	+02.01 +000.1	+12.05 0283	+02.55	+00.36	+00.51	+01.49	+00.25
2	+15.00 +000.9	-11.01 +001.5	+02.01 +000.2	+12.21 0288	+02.56	+00.40	+00.61	+01.77	+00.37
3	+15.00 +001.2	-10.01 +001.9	+02.00 +000.2	+11.71 0290	+02.55	+00.47	+00.69	+02.17	+00.43
4	+15.00 +001.4	-09.01 +003.7	+02.00 +000.3	+11.49 0290	+02.05	+00.72	+00.78	+02.44	+00.50
5	+15.00 +001.7	-08.01 +002.8	+02.00 +000.4	+10.67 0288	+02.83	+00.76	+01.13	+02.86	+00.61
6	+15.00 +002.2	-07.01 +006.5	+02.00 +000.6	+10.22 0286	+02.03	+00.94	+01.35	+03.55	+00.89
7	+15.00 +002.8	-06.01 +005.6	+02.00 +000.7	+09.42 0283	+02.59	+01.08	+01.81	+04.27	+00.93
8	+15.00 +004.4	-05.01 +011.2	+02.00 +001.1	+08.52 0285	+01.98	+00.98	+02.06	+05.94	+01.41
9	+15.00 +004.1	-04.01 +010.2	+01.99 +000.9	+07.96 0501	+01.78	+00.90	+02.02	+05.43	+01.15
10	+15.00 +005.1	-03.01 +014.1	+01.99 +001.0	+07.04 0791	+01.26	+00.47	+02.09	+08.62	+01.71
11	+15.00 +005.5	-02.01 +004.0	+01.98 +001.2	+06.16 1077	+01.31	-00.14	+01.85	+10.02	+02.14
12	+15.00 +005.8	-01.01 +014.5	+01.98 +001.2	+05.82 1050	+01.01	-00.85	+01.86	+09.26	+01.93
13	+15.00 +006.7	-00.01 +034.0	+01.97 +001.3	+05.74 0786	+00.36	-00.97	+01.82	+08.58	+01.78
14	+15.00 +006.5	+00.99 +035.4	+01.97 +001.4	+05.60 0783	-00.34	-00.97	+01.83	+08.17	+01.83
15	+15.00 +006.2	+01.99 +009.9	+01.97 +001.6	+05.87 0791	-01.54	-00.28	+02.02	+08.73	+02.17
16	+15.00 +005.2	+02.99 +003.9	+01.96 +001.2	+07.03 0792	-01.53	+00.16	+02.11	+08.59	+02.02
17	+15.00 +004.6	+03.99 +002.9	+01.96 +001.2	+07.58 0518	-02.44	+00.81	+02.17	+06.64	+01.59
18	+15.00 +003.2	+04.99 +003.8	+01.95 +000.7	+08.45 0499	-02.48	+01.26	+01.80	+04.20	+00.90
19	+15.00 +002.7	+05.99 +002.9	+01.95 +000.6	+10.69 0284	-02.66	+01.14	+01.54	+04.64	+01.03

20	+15.00 +002.5	+06.99 +004.4	+01.94 +000.5	+10.47 0287	-01.94	+01.01	+01.58	+04.14	+00.81
21	+15.00 +002.1	+07.99 +002.2	+01.93 +000.4	+11.39 0287	-02.61	+00.94	+00.97	+03.77	+00.68
22	+15.00 +001.8	+08.99 +002.1	+01.93 +000.3	+11.39 0289	-02.30	+00.80	+01.05	+03.20	+00.54
23	+15.00 +001.6	+09.99 +001.5	+01.92 +000.3	+11.87 0291	-02.32	+00.64	+00.78	+02.92	+00.47
24	+15.00 +001.7	+10.99 +001.7	+01.92 +000.2	+11.92 0285	-02.00	+00.48	+00.64	+03.05	+00.44
25	+15.00 +001.4	+11.99 +000.7	+01.91 +000.2	+12.00 0291	-02.64	+00.36	+00.70	+02.59	+00.43

FILE:DAT40

No.	Xcm DELx _y	Ycm DELy _z	Zcm DELz _x	Um/s Navg	Vm/s	Wm/s	Su	Sv	Sw
1	+20.00 +000.9	-14.00 +001.2	+02.00 +000.2	+11.60 0293	+02.31	+00.19	+00.62	+01.68	+00.32
2	+20.00 +000.9	-13.00 +001.7	+02.00 +000.2	+11.60 0291	+01.93	+00.29	+00.65	+01.59	+00.30
3	+20.00 +001.1	-12.00 +001.5	+02.00 +000.2	+11.55 0291	+02.34	+00.29	+00.70	+02.01	+00.35
4	+20.00 +001.2	-11.00 +002.9	+01.99 +000.2	+11.30 0290	+01.91	+00.46	+00.73	+02.19	+00.42
5	+20.00 +001.6	-09.00 +004.1	+01.99 +000.4	+10.84 0288	+01.95	+00.57	+01.07	+02.70	+00.61
6	+20.00 +002.3	-08.00 +004.6	+01.99 +000.5	+10.61 0287	+02.23	+00.57	+01.10	+03.85	+00.81
7	+20.00 +002.5	-07.00 +004.7	+01.98 +000.6	+09.75 0284	+02.38	+00.65	+01.73	+03.82	+00.87
8	+20.00 +003.1	-06.00 +006.2	+01.98 +000.8	+09.45 0284	+02.26	+00.56	+01.81	+04.69	+01.18
9	+20.00 +003.6	-05.00 +006.4	+01.98 +000.8	+08.29 0501	+02.06	+00.57	+01.92	+04.76	+01.11
10	+20.00 +005.6	-04.00 +029.4	+01.98 +001.2	+07.06 0530	+00.73	+00.36	+01.94	+06.60	+01.47
11	+20.00 +005.4	-03.00 +011.2	+01.97 +001.2	+06.46 0823	+00.45	-00.06	+01.94	+08.59	+01.91
12	+20.00 +005.7	-02.00 +096.9	+01.97 +001.3	+06.19 0809	+00.02	-00.36	+01.83	+08.38	+01.90
13	+20.00 +005.6	-01.00 +024.7	+01.96 +001.2	+06.10 0801	+00.59	-00.87	+01.71	+08.10	+01.67
14	+20.00 +005.5	-00.00 +018.9	+01.96 +001.3	+06.04 0787	-01.09	-00.89	+01.65	+07.52	+01.76
15	+20.00 +006.4	+01.00 +035.6	+01.95 +001.6	+05.95 0527	-00.57	-00.85	+01.73	+07.03	+01.73
16	+20.00 +005.3	+02.00 +024.7	+01.95 +001.3	+06.25 0800	-00.81	-00.53	+01.78	+07.71	+01.89
17	+20.00 +005.8	+03.00 +029.4	+01.94 +001.4	+06.37 0532	-00.71	-00.34	+02.01	+07.23	+01.70
18	+20.00 +004.9	+04.00 +002.1	+01.94 +001.3	+06.66 0533	-02.39	+00.47	+02.10	+06.72	+01.62
19	+20.00 +004.0	+05.00 +002.7	+01.93 +001.0	+07.53 0523	-01.76	+00.52	+02.25	+05.17	+01.26

20	+20.00 +004.2	+06.00 +004.9	+01.93 +001.1	+08.14 0285	-01.81	+00.85	+02.48	+05.36	+01.31
21	+20.00 +003.3	+07.00 +003.9	+01.92 +000.7	+09.62 0287	-01.92	+00.75	+01.79	+04.92	+01.08
22	+20.00 +002.1	+08.00 +002.5	+01.91 +000.4	+10.21 0284	-01.81	+00.62	+01.54	+03.27	+00.64
23	+20.00 +001.8	+09.00 +001.8	+01.91 +000.4	+11.10 0287	-02.18	+00.67	+01.10	+03.04	+00.59
24	+20.00 +001.8	+10.00 +002.5	+01.90 +000.3	+10.91 0289	-01.75	+00.61	+01.20	+03.04	+00.57
25	+20.00 +001.5	+11.00 +001.2	+01.90 +000.3	+11.17 0290	-02.24	+00.53	+01.00	+02.63	+00.52
26	+20.00 +001.5	+12.00 +001.6	+01.89 +000.3	+11.47 0289	-01.65	+00.38	+00.85	+02.68	+00.48
27	+20.00 +001.3	+13.00 +000.9	+01.88 +000.2	+11.96 0290	-02.14	+00.32	+00.62	+02.41	+00.41
28	+20.00 +001.3	+14.00 +000.8	+01.88 +000.2	+11.95 0289	-02.15	+00.23	+00.71	+02.50	+00.37

FILE:DAT41

No.	Xcm DELxy	Ycm DELyz	Zcm DELzx	Um/s Navg	Vm/s	Wm/s	Su	Sv	Sw
1	+25.00 +001.0	-14.00 +002.2	+02.00 +000.2	+11.60 0291	+01.72	+00.29	+00.66	+01.90	+00.34
2	+25.00 +001.1	-13.00 +002.2	+02.00 +000.2	+11.33 0291	+01.65	+00.20	+00.78	+01.87	+00.39
3	+25.00 +001.2	-12.00 +002.3	+02.00 +000.3	+11.26 0291	+02.05	+00.33	+00.78	+02.15	+00.43
4	+25.00 +001.4	-11.00 +002.8	+02.00 +000.3	+11.10 0288	+01.88	+00.32	+00.92	+02.38	+00.46
5	+25.00 +001.5	-10.00 +005.5	+01.99 +000.3	+10.72 0288	+01.39	+00.43	+01.12	+02.54	+00.55
6	+25.00 +002.4	-08.00 +009.8	+01.99 +000.5	+10.08 0286	+01.24	+00.49	+01.44	+03.70	+00.78
7	+25.00 +004.0	-06.00 +009.3	+01.99 +000.9	+08.74 0282	+01.61	+00.41	+01.90	+05.36	+01.19
8	+25.00 +004.9	-04.00 +007.1	+01.99 +001.1	+07.31 0538	+01.17	+00.01	+01.83	+06.92	+01.59
9	+25.00 +005.9	-02.00 +113.6	+01.98 +001.3	+06.43 0526	+00.08	-00.29	+01.48	+07.14	+01.66
10	+25.00 +005.2	+02.00 +007.9	+01.98 +001.3	+06.51 0535	-01.83	-00.36	+01.66	+06.84	+01.73
11	+25.00 +005.1	+04.00 +004.9	+01.98 +001.2	+06.79 0529	-01.36	+00.09	+01.72	+06.71	+01.62
12	+25.00 +004.9	+05.00 +002.9	+01.97 +001.1	+07.90 0285	-01.92	+00.36	+02.31	+06.02	+01.37
13	+25.00 +002.7	+08.00 +003.3	+01.97 +000.7	+09.86 0282	-01.65	+00.58	+01.70	+04.11	+00.96
14	+25.00 +001.9	+10.00 +002.5	+01.96 +000.4	+10.68 0286	-01.60	+00.49	+01.36	+03.20	+00.65
15	+25.00 +001.5	+12.00 +001.8	+01.95 +000.3	+11.40 0288	-01.51	+00.35	+00.71	+02.71	+00.52
16	+25.00 +001.3	+14.00 +001.0	+01.95 +000.3	+11.68 0291	-02.02	+00.31	+00.74	+02.41	+00.46

FILE:DRT42

No.	Xcm DELxy	Ycm DELyz	Zcm DELzx	Um/s Navg	Vm/s	Wm/s	Su	Sv	Sw
1	+30.00 +000.8	-24.01 +001.3	+02.01 +000.1	+11.78 0190	+01.48	+00.03	+00.54	+01.21	+00.22
2	+30.00 +000.9	-23.01 +001.1	+02.01 +000.2	+11.79 0190	+01.74	-00.01	+00.47	+01.32	+00.25
3	+30.00 +000.8	-22.01 +001.2	+02.00 +000.2	+11.71 0191	+01.59	+00.01	+00.54	+01.20	+00.24
4	+30.00 +000.9	-21.01 +001.0	+01.99 +000.2	+11.61 0194	+01.82	+00.00	+00.52	+01.35	+00.23
5	+30.00 +000.9	-20.01 +001.4	+01.99 +000.2	+11.62 0195	+01.74	+00.05	+00.59	+01.36	+00.28
6	+30.00 +001.1	-16.01 +002.2	+01.99 +000.2	+11.49 0194	+01.60	+00.15	+00.59	+01.59	+00.32
7	+30.00 +001.5	-12.01 +003.7	+01.99 +000.3	+10.94 0193	+01.60	+00.26	+00.90	+02.13	+00.46
8	+30.00 +003.5	-08.01 +013.9	+01.98 +000.7	+08.95 0190	+01.02	+00.33	+01.70	+03.87	+00.81
9	+30.00 +005.2	-04.01 +011.1	+01.98 +001.2	+07.68 0359	+00.79	-00.01	+01.87	+06.38	+01.42
10	+30.00 +004.7	-00.01 +034.6	+01.98 +001.1	+07.02 0525	-00.44	-00.83	+01.47	+06.24	+01.42
11	+30.00 +005.2	+03.99 +023.6	+01.97 +001.2	+07.20 0528	-00.65	-00.14	+01.71	+06.94	+01.64
12	+30.00 +004.1	+07.99 +004.3	+01.97 +000.8	+09.03 0188	-01.72	+00.54	+01.96	+04.67	+00.91
13	+30.00 +002.2	+11.99 +002.7	+01.96 +000.4	+10.64 0190	-01.55	+00.41	+01.37	+02.89	+00.49
14	+30.00 +001.6	+15.99 +001.3	+01.95 +000.3	+11.34 0193	-01.75	+00.21	+00.92	+02.27	+00.42
15	+30.00 +001.7	+19.99 +001.9	+01.95 +000.3	+11.56 0194	-01.24	+00.10	+00.70	+02.50	+00.40
16	+30.00 +001.7	+23.99 +002.7	+01.95 +000.3	+11.76 0192	-01.33	-00.00	+00.76	+02.55	+00.44

FILE:DRT43

No.	Xcm DELxy	Ycm DELyz	Zcm DELzx	Um/s Navg	Vm/s	Wm/s	Su	Sv	Sw
1	+39.99 +001.1	-24.01 +001.6	+02.01 +000.2	+11.35 0191	+01.32	+00.03	+00.39	+01.54	+00.23
2	+39.99 +001.1	-23.01 +001.4	+02.01 +000.2	+11.36 0191	+01.47	+00.01	+00.48	+01.56	+00.24
3	+39.99 +001.0	-22.01 +001.5	+02.00 +000.2	+11.31 0191	+01.40	+00.02	+00.50	+01.47	+00.24
4	+39.99 +001.1	-20.01 +003.0	+01.99 +000.2	+11.32 0193	+01.21	+00.12	+00.54	+01.62	+00.32
5	+39.99 +001.4	-16.01 +003.5	+01.99 +000.3	+10.94 0190	+01.17	+00.13	+00.59	+01.86	+00.34
6	+39.99 +002.0	-12.01 +009.3	+01.99 +000.4	+10.52 0190	+00.89	+00.23	+00.89	+02.63	+00.51
7	+39.99 +004.0	-08.01 +024.1	+01.99 +000.8	+09.29 0190	+00.72	+00.27	+01.73	+04.59	+00.87
8	+39.99 +004.7	-04.01 +045.0	+01.99 +001.0	+07.61 0365	-00.22	-00.02	+01.72	+05.45	+01.25
9	+39.99 +004.8	-00.01 +059.1	+01.98 +001.0	+07.68 0355	+00.02	-00.63	+01.28	+05.53	+01.24
10	+39.99 +005.2	+03.99 +025.3	+01.98 +001.2	+07.35 0354	-00.62	-00.14	+01.25	+06.14	+01.34
11	+39.99 +003.5	+07.99 +003.4	+01.97 +000.7	+08.36 0352	-01.22	+00.17	+01.72	+04.16	+00.90
12	+39.99 +002.7	+11.99 +004.2	+01.97 +000.5	+10.17 0192	-01.15	+00.32	+01.38	+03.42	+00.66
13	+39.99 +001.6	+15.99 +001.9	+01.96 +000.3	+11.14 0191	-01.15	+00.16	+00.73	+02.17	+00.40
14	+39.99 +001.5	+19.99 +002.1	+01.96 +000.3	+11.51 0194	-01.29	+00.09	+00.63	+02.14	+00.43
15	+39.99 +001.4	+23.99 +002.7	+01.95 +000.3	+11.55 0191	-01.15	-00.00	+00.56	+02.03	+00.38

FILE:DRT44

No.	Xcm DELxy	Ycm DELyz	Zcm DELzx	Um/s Navg	Vm/s	Wm/s	Su	Sv	Sw
1	-02.69 +002.8	-07.99 +067.7	+00.20 +000.7	+12.30 0097	+00.09	-00.03	+01.32	+03.05	+00.72
2	-02.69 +002.4	-06.99 +041.5	+00.20 +000.6	+13.10 0094	+00.21	-00.11	+01.23	+02.71	+00.65
3	-02.69 +002.6	-05.99 +011.8	+00.20 +000.6	+13.45 0094	-00.99	-00.15	+01.25	+03.04	+00.64
4	-02.69 +002.6	-04.99 +011.2	+00.20 +000.6	+13.69 0094	-01.13	-00.17	+01.43	+03.06	+00.72
5	-02.69 +002.7	-03.99 +003.4	+00.19 +000.6	+13.78 0096	-02.94	-00.10	+01.15	+03.38	+00.77
6	-02.69 +002.6	-02.99 +002.0	+00.19 +000.7	+12.98 0096	-04.97	-00.14	+01.02	+03.33	+00.79
7	-02.69 +002.2	-01.99 +001.4	+00.19 +000.6	+10.67 0180	-05.97	-00.43	+00.98	+03.44	+00.72
8	-02.69 +002.4	-00.99 +001.5	+00.18 +000.9	+06.82 0176	-06.65	-01.00	+01.06	+03.42	+00.70
9	-02.69 +006.5	+00.01 +013.7	+00.18 +001.5	+05.00 0261	-00.86	-02.27	+00.94	+04.56	+01.06
10	-02.69 +003.6	+01.01 +002.0	+00.18 +001.0	+07.67 0181	+04.29	-01.66	+01.15	+04.08	+00.80
11	-02.69 +002.2	+02.01 +000.9	+00.17 +000.6	+11.34 0182	+06.10	-00.53	+01.23	+03.63	+00.84
12	-02.69 +002.0	+03.01 +000.9	+00.16 +000.5	+13.43 0180	+06.06	-00.38	+01.10	+03.38	+00.75
13	-02.69 +001.9	+04.01 +001.2	+00.16 +000.4	+13.82 0183	+04.02	-00.25	+01.15	+03.16	+00.74
14	-02.69 +002.8	+05.01 +003.2	+00.15 +000.6	+13.60 0095	+02.16	-00.16	+01.34	+03.29	+00.77
15	-02.69 +002.9	+06.01 +008.6	+00.15 +000.6	+13.33 0096	+01.03	+00.01	+01.04	+03.34	+00.74
16	-02.69 +003.0	+07.01 +049.7	+00.14 +000.7	+13.04 0097	-00.15	+00.01	+01.25	+03.40	+00.77
17	-02.69 +002.7	+08.01 +007.7	+00.13 +000.5	+12.33 0095	+00.60	-00.12	+01.21	+02.88	+00.58

 FILE:DAT45

No.	Xcm DELxy	Ycm DELyz	Zcm DELzx	Um/s Navg	Vm/s	Wm/s	Su	Sv	Sw
1	+05.01 +007.9	-04.96 +004.6	+00.20 +002.4	+04.93 0096	+03.36	+00.29	+02.55	+04.62	+01.03
2	+05.01 +012.7	-03.96 +040.1	+00.20 +002.6	+04.27 0177	+00.81	+00.55	+02.55	+05.88	+01.17
3	+05.01 +024.7	-03.46 +055.3	+00.20 +006.7	+02.11 0342	-00.13	+00.84	+02.47	+05.98	+01.54
4	+05.01 +075.1	-02.96 +090.2	+00.19 +021.3	-00.67 0177	-00.21	+00.46	+02.56	+06.08	+01.50
5	+05.01 +024.0	-02.46 +050.7	+00.19 +006.1	-02.03 0263	-00.39	+00.58	+02.40	+06.68	+01.65
6	+05.01 +014.0	-01.96 +010.9	+00.18 +003.9	-03.18 0259	-00.73	+00.25	+01.85	+05.95	+01.56
7	+05.01 +013.1	-01.46 +095.2	+00.18 +003.3	-03.66 0254	-00.32	-00.23	+01.87	+06.35	+01.63
8	+05.01 +013.0	-00.96 +020.4	+00.18 +003.6	-03.58 0381	+00.79	-00.57	+02.28	+08.41	+02.30
9	+05.01 +014.3	-00.46 +026.6	+00.18 +003.9	-03.58 0384	+00.71	-00.55	+02.39	+09.27	+02.45
10	+05.01 +013.4	+00.04 +048.2	+00.18 +003.8	-03.37 0686	+00.20	-00.02	+02.01	+09.60	+02.76
11	+05.01 +008.4	+00.54 +002.2	+00.18 +003.3	-03.28 0703	+02.40	-00.64	+02.23	+08.93	+02.46
12	+05.01 +011.5	+01.04 +003.8	+00.18 +004.3	-03.62 0383	+02.31	-00.38	+02.29	+10.06	+02.74
13	+05.01 +010.9	+01.54 +005.1	+00.17 +004.1	-03.28 0379	+02.32	-00.08	+02.41	+09.14	+02.32
14	+05.01 +015.1	+02.04 +016.6	+00.17 +004.4	-02.82 0379	+01.18	+00.21	+02.35	+08.58	+02.15
15	+05.01 +018.6	+02.54 +037.3	+00.16 +004.6	-02.58 0384	+00.58	+00.15	+02.49	+08.73	+02.08
16	+05.01 +043.8	+03.04 +038.0	+00.16 +012.6	-00.87 0391	-00.37	+00.23	+03.38	+07.73	+01.88
17	+05.01 +010.9	+03.54 +002.7	+00.16 +004.5	+02.19 0387	-02.23	+00.46	+03.80	+07.62	+01.68
18	+05.01 +008.9	+04.04 +003.0	+00.16 +002.8	+03.12 0383	-02.02	+00.22	+02.88	+06.59	+01.52
19	+05.01 +006.0	+04.54 +002.5	+00.15 +001.6	+04.63 0388	-01.96	+00.21	+02.60	+05.59	+01.27

20 +05.01 +05.04 +00.15 +05.24 -03.08 +00.25 +02.65 +05.59 +01.22
+004.7 +001.7 +001.3 0388

FILE:DRT46

No.	Xcm DELxy	Ycm DELyz	Zcm DELzx	Um/s Navg	Vm/s	Wm/s	Su	Sv	Sw
1	+05.00 +002.2	-10.02 +001.7	+00.20 +000.6	+09.83 0191	+03.49	+00.06	+01.30	+02.91	+00.69
2	+05.00 +002.4	-09.02 +001.4	+00.20 +000.7	+09.88 0191	+04.08	-00.12	+01.48	+03.34	+00.79
3	+05.00 +002.5	-08.02 +002.1	+00.20 +000.7	+10.04 0194	+03.57	+00.12	+01.63	+03.49	+00.82
4	+05.00 +002.8	-07.02 +002.6	+00.20 +000.7	+09.97 0191	+03.41	+00.26	+01.73	+03.77	+00.87
5	+05.00 +002.9	-06.02 +001.7	+00.20 +000.8	+09.48 0190	+04.62	+00.05	+01.93	+04.12	+00.92
6	+05.00 +004.0	-05.02 +002.9	+00.19 +001.2	+08.54 0191	+04.06	+00.22	+02.38	+05.07	+01.21
7	+05.00 +005.1	-04.02 +002.6	+00.19 +001.8	+06.23 0190	+05.00	+00.25	+02.65	+05.95	+01.36
8	+05.00 +008.4	-03.02 +005.8	+00.19 +004.7	+02.44 0359	+03.20	+00.60	+03.51	+07.55	+01.84
9	+05.00 +016.0	-02.02 +040.2	+00.18 +003.4	-02.80 0524	+00.62	+00.31	+02.23	+09.09	+01.82
10	+05.00 +010.8	-01.02 +008.1	+00.18 +002.7	-04.16 0526	-01.37	-00.01	+01.77	+09.61	+02.16
11	+05.00 +013.0	-00.02 +053.6	+00.18 +003.0	-04.04 0521	+00.26	-00.83	+01.85	+10.00	+02.44
12	+05.00 +011.4	+01.98 +019.9	+00.18 +002.6	-03.88 0518	+00.89	+00.18	+01.90	+08.67	+01.87

FILE:DAT47

No.	Xcm DELxy	Ycm DELyz	Zcm DELzx	Um/s Navg	Vm/s	Wm/s	Su	Sv	Sw
1	+05.01 +003.4	-04.96 +004.3	+00.50 +000.9	+08.86 0193	+03.38	+00.86	+02.04	+04.11	+00.99
2	+05.01 +004.4	-03.96 +005.1	+00.50 +001.0	+08.42 0190	+03.69	+01.14	+02.20	+05.31	+01.05
3	+05.01 +005.4	-03.46 +005.9	+00.50 +001.4	+07.63 0189	+03.86	+01.23	+02.69	+06.22	+01.28
4	+05.01 +006.1	-02.96 +006.7	+00.49 +001.9	+05.34 0346	+03.42	+01.48	+03.03	+06.10	+01.31
5	+05.01 +009.6	-02.46 +010.3	+00.49 +006.4	+01.80 0338	+02.75	+01.49	+03.40	+06.70	+01.54
6	+05.01 +016.4	-01.96 +020.7	+00.48 +009.2	-00.64 0786	+01.33	+01.43	+03.21	+09.89	+02.46
7	+05.01 +011.3	-01.46 +008.5	+00.48 +004.6	-02.68 1044	+02.22	+00.35	+02.38	+13.59	+03.51
8	+05.01 +015.6	-00.96 +051.2	+00.48 +003.9	-03.54 1092	+00.45	-00.54	+02.32	+16.13	+04.04
9	+05.01 +014.1	-00.46 +016.9	+00.47 +003.5	-03.43 1096	+01.32	-01.66	+02.17	+16.27	+04.23
10	+05.01 +013.6	+00.04 +019.3	+00.47 +003.0	-03.58 1082	+01.01	-01.87	+02.42	+14.90	+03.76
11	+05.01 +009.8	+00.54 +007.2	+00.47 +003.0	-03.78 1071	+02.48	-01.69	+02.14	+14.98	+03.78
12	+05.01 +010.4	+01.04 +004.2	+00.46 +003.9	-03.28 1099	+02.53	-00.99	+02.68	+15.50	+04.04
13	+05.01 +013.0	+01.54 +007.4	+00.46 +004.9	-02.79 1090	+01.75	-00.01	+02.61	+14.30	+03.81
14	+05.01 +013.7	+02.04 +007.5	+00.46 +005.7	-02.01 0695	-01.98	+01.07	+02.89	+11.00	+02.63
15	+05.01 +004.4	+02.54 +002.7	+00.46 +009.1	+00.51 0696	-03.77	+01.58	+03.71	+08.96	+02.13
16	+05.01 +008.3	+03.04 +003.3	+00.45 +005.6	+02.56 0382	-03.67	+01.51	+04.30	+09.41	+02.27
17	+05.01 +004.5	+03.54 +001.4	+00.45 +001.9	+05.34 0380	-04.81	+01.53	+03.78	+06.72	+01.56
18	+05.01 +003.8	+04.04 +001.5	+00.45 +001.1	+07.70 0380	-04.42	+01.30	+03.24	+06.59	+01.45
19	+05.01 +003.0	+04.54 +001.4	+00.44 +000.8	+09.40 0384	-03.85	+01.13	+02.62	+05.72	+01.28

20	+05.01	+05.04	+00.44	+10.29	-04.99	+01.06	+01.93	+04.91	+01.03
	+003.2	+001.1	+000.8	0189					

FILE: DAT48

No.	Xcm DELxy	Ycm DELyz	Zcm DELzx	Um/s Navg	Vm/s	Wm/s	Su	Sv	Su
1	+09.99 +005.6	-10.02 +002.7	+00.51 +001.5	+08.00 0048	+03.92	-00.13	+00.95	+03.40	+00.75
2	+09.99 +005.5	-08.02 +005.1	+00.50 +001.2	+06.71 0094	+02.40	+00.29	+01.36	+03.29	+00.72
3	+09.99 +004.8	-07.02 +009.8	+00.50 +001.0	+06.30 0175	+01.35	+00.36	+01.47	+03.52	+00.70
4	+09.99 +007.5	-06.02 +018.8	+00.50 +001.7	+04.86 0176	+01.08	+00.51	+01.60	+03.94	+00.89
5	+09.99 +008.7	-05.02 +023.2	+00.49 +002.2	+03.90 0258	+00.88	+00.49	+01.34	+04.56	+01.07
6	+09.99 +011.3	-04.02 +023.9	+00.49 +002.8	+02.88 0345	+00.78	+00.36	+01.45	+05.42	+01.28
7	+09.99 +014.9	-03.02 +008.0	+00.49 +004.1	+02.34 0438	-00.68	+00.20	+01.69	+06.65	+01.69
8	+09.99 +011.7	-02.02 +009.4	+00.48 +003.5	+02.69 0535	-01.25	-00.09	+01.91	+07.54	+01.89
9	+09.99 +011.0	-01.02 +026.1	+00.48 +002.9	+02.91 0714	-00.81	-00.63	+01.72	+07.37	+01.89
10	+09.99 +009.5	-00.02 +011.8	+00.48 +002.4	+03.01 0705	+01.13	-01.12	+01.63	+07.21	+01.72
11	+09.99 +009.7	+00.98 +007.7	+00.48 +002.6	+02.95 0724	+01.36	-00.75	+01.90	+07.73	+01.83
12	+09.99 +009.6	+01.98 +003.3	+00.47 +003.4	+02.66 0730	+01.82	-00.21	+01.82	+08.07	+02.00
13	+09.99 +010.3	+02.98 +009.1	+00.47 +003.3	+02.27 0713	+01.52	+00.35	+01.63	+07.26	+01.68
14	+09.99 +010.9	+03.98 +039.3	+00.47 +002.5	+02.56 0715	+00.44	+00.39	+01.65	+06.17	+01.35
15	+09.99 +008.5	+04.98 +008.8	+00.46 +001.9	+03.75 0381	-00.90	+00.35	+01.88	+05.88	+01.26
16	+09.99 +006.7	+05.98 +004.5	+00.45 +001.7	+04.68 0390	-01.23	+00.40	+01.93	+05.80	+01.41
17	+09.99 +004.4	+06.98 +001.7	+00.45 +001.1	+05.82 0386	-02.25	+00.43	+01.87	+05.04	+01.16
18	+09.99 +003.6	+07.98 +001.8	+00.44 +000.9	+06.60 0389	-02.17	+00.26	+01.65	+04.61	+01.07
19	+09.99 +002.9	+08.98 +001.7	+00.44 +000.7	+07.52 0383	-02.36	+00.19	+01.34	+04.18	+00.95

20	+09.99	+09.98	+00.43	+07.35	-02.44	+00.14	+01.31	+04.20	+00.94
	+002.9	+001.8	+000.7	0386					

 FILE:DAT49

No.	Xcm DELxy	Ycm DELyz	Zcm DELzx	Um/s Navg	Vm/s	Wm/s	Su	Sv	Sw
1	+19.99 +005.7	-10.02 +004.2	+00.51 +001.5	+06.06 0094	+01.93	-00.07	+01.45	+03.19	+00.80
2	+19.99 +008.9	-09.02 +095.1	+00.51 +001.9	+05.46 0095	+00.29	+00.34	+01.34	+04.20	+00.92
3	+19.99 +008.9	-08.02 +167.6	+00.50 +002.1	+04.85 0096	+00.13	+00.21	+01.57	+03.78	+00.88
4	+19.99 +010.8	-07.02 +019.4	+00.50 +002.1	+04.79 0095	-00.62	+00.22	+01.65	+04.55	+00.85
5	+19.99 +011.4	-06.02 +021.5	+00.50 +002.9	+04.50 0095	-00.51	+00.20	+01.54	+04.52	+01.14
6	+19.99 +009.3	-04.02 +004.1	+00.49 +002.7	+03.73 0176	-01.88	+00.14	+01.35	+04.57	+01.07
7	+19.99 +010.3	-03.02 +012.2	+00.49 +002.7	+04.01 0179	-01.16	-00.10	+01.67	+04.93	+01.17
8	+19.99 +008.0	-02.02 +006.4	+00.48 +002.4	+04.25 0274	-01.69	-00.04	+01.47	+05.37	+01.34
9	+19.99 +007.1	-01.52 +007.8	+00.48 +002.0	+04.07 0389	-01.29	-00.10	+01.99	+05.51	+01.42
10	+19.99 +007.0	-01.02 +027.8	+00.48 +001.8	+04.58 0384	-00.64	-00.26	+01.55	+05.75	+01.46
11	+19.99 +007.7	-00.52 +028.0	+00.48 +001.9	+04.44 0386	-00.63	-00.23	+01.62	+06.11	+01.46
12	+19.99 +007.4	-00.02 +033.3	+00.47 +001.8	+04.55 0384	-00.51	-00.17	+01.46	+05.96	+01.45
13	+19.99 +007.5	+00.48 +116.5	+00.47 +001.8	+04.50 0384	-00.03	-00.30	+01.79	+05.92	+01.43
14	+19.99 +008.1	+00.98 +034.8	+00.47 +002.0	+04.22 0382	+00.36	-00.28	+01.56	+05.99	+01.49
15	+19.99 +008.1	+01.48 +010.4	+00.46 +002.0	+04.20 0384	+00.46	-00.10	+01.51	+05.99	+01.46
16	+19.99 +009.0	+01.98 +013.2	+00.46 +002.2	+04.23 0286	+00.54	-00.04	+01.58	+05.86	+01.42
17	+19.99 +009.2	+02.48 +010.1	+00.46 +002.2	+04.19 0294	+00.77	-00.03	+01.84	+06.07	+01.39
18	+19.99 +008.9	+02.98 +015.5	+00.46 +002.3	+04.12 0288	+00.84	+00.10	+01.56	+05.73	+01.43
19	+19.99 +008.8	+03.48 +005.7	+00.45 +002.4	+03.89 0289	+01.47	-00.05	+01.72	+05.89	+01.43

20	+19.99 +009.6	+04.48 +008.3	+00.45 +002.5	+03.51 0290	+01.26	+00.06	+01.65	+05.75	+01.37
21	+19.99 +008.9	+05.48 +013.4	+00.45 +002.2	+03.81 0286	+00.97	+00.15	+01.55	+05.37	+01.26
22	+19.99 +009.1	+05.98 +019.4	+00.44 +002.1	+04.01 0288	+00.74	+00.15	+01.66	+05.67	+01.25
23	+19.99 +008.0	+06.98 +148.6	+00.44 +002.0	+04.39 0288	-00.09	+00.16	+01.65	+05.32	+01.29
24	+19.99 +006.3	+07.98 +008.1	+00.43 +001.5	+04.92 0286	-00.61	+00.07	+01.77	+04.77	+01.11

 FILE:DAT50

No.	Xcm DELxy	Ycm DELyz	Zcm DELzx	Um/s Navg	Vm/s	Wm/s	Su	Sv	Sw
1	+05.01 +002.6	-04.96 +004.1	+00.75 +000.7	+10.62 0192	+03.57	+01.16	+01.52	+03.72	+00.92
2	+05.01 +003.3	-03.96 +005.8	+00.75 +000.9	+10.70 0192	+03.79	+01.86	+01.93	+04.80	+01.17
3	+05.01 +004.2	-02.96 +008.2	+00.75 +001.1	+08.91 0337	+03.13	+02.43	+02.09	+05.30	+01.23
4	+05.01 +005.6	-02.46 +006.2	+00.74 +002.2	+05.94 0350	+04.68	+02.27	+03.54	+07.10	+01.66
5	+05.01 +004.4	-01.96 +004.6	+00.74 +004.6	+02.49 0512	+05.69	+02.02	+04.03	+07.78	+01.87
6	+05.01 +005.0	-01.46 +007.5	+00.73 +005.7	-01.21 1004	+03.63	+01.62	+03.18	+11.34	+02.73
7	+05.01 +003.4	-00.96 +001.8	+00.73 +005.7	-02.20 1827	+05.60	-00.40	+02.90	+19.36	+04.96
8	+05.01 +004.1	-00.46 +002.2	+00.73 +003.3	-02.56 1874	+05.22	-02.09	+02.90	+19.88	+04.80
9	+05.01 +008.5	+00.04 +006.9	+00.72 +002.6	-02.93 1475	+03.11	-02.92	+02.83	+17.62	+04.18
10	+05.01 +005.8	+00.54 +004.2	+00.72 +002.6	-03.01 1467	+04.29	-02.98	+02.92	+16.97	+04.14
11	+05.01 +017.6	+01.04 +019.4	+00.71 +004.1	-02.57 1466	+01.12	-01.58	+03.01	+17.76	+04.57
12	+05.01 +028.1	+01.54 +008.3	+00.71 +009.6	-01.38 1428	-00.79	+00.20	+03.15	+16.25	+04.50
13	+05.01 +004.1	+02.04 +003.3	+00.70 +008.3	-00.13 0684	-04.09	+01.95	+03.78	+10.09	+02.54
14	+05.01 +005.2	+02.54 +002.6	+00.70 +004.0	+02.54 0692	-04.29	+02.17	+04.34	+08.00	+01.89
15	+05.01 +005.7	+03.04 +003.2	+00.69 +002.2	+05.16 0381	-03.91	+01.98	+03.97	+07.55	+01.70
16	+05.01 +003.7	+03.54 +002.2	+00.69 +001.2	+07.61 0380	-04.27	+02.04	+03.32	+06.14	+01.46
17	+05.01 +002.9	+04.04 +001.8	+00.69 +000.8	+09.47 0384	-04.45	+01.85	+02.59	+05.85	+01.32
18	+05.01 +002.4	+04.54 +001.5	+00.68 +000.6	+10.54 0382	-04.46	+01.62	+01.87	+05.23	+01.09
19	+05.01 +002.4	+05.04 +001.3	+00.68 +000.6	+10.75 0383	-04.34	+01.40	+01.76	+05.10	+01.07

FILE:DAT51

No.	Xcm DELxy	Ycm DELyz	Zcm DELzx	Um/s Navg	Vm/s	Wm/s	Su	Sv	Sw
1	+04.99 +001.9	-07.99 +004.9	+01.51 +000.5	+12.61 0196	+02.51	+00.86	+01.11	+03.09	+00.74
2	+04.99 +001.7	-06.99 +002.8	+01.51 +000.4	+12.12 0191	+03.53	+00.99	+01.10	+02.75	+00.64
3	+04.99 +002.3	-05.99 +005.9	+01.50 +000.6	+11.75 0193	+02.79	+01.49	+01.23	+03.47	+00.87
4	+04.99 +002.2	-04.99 +004.7	+01.50 +000.6	+11.61 0190	+03.52	+01.86	+01.24	+03.44	+00.90
5	+04.99 +003.0	-03.99 +005.5	+01.50 +000.8	+10.99 0194	+04.07	+02.54	+01.60	+04.55	+01.17
6	+04.99 +004.1	-02.99 +005.8	+01.49 +001.1	+09.71 0189	+04.93	+02.99	+01.62	+06.04	+01.35
7	+04.99 +003.5	-02.49 +004.9	+01.49 +001.0	+08.95 0336	+04.82	+03.01	+01.44	+05.19	+01.23
8	+04.99 +004.3	-01.99 +004.8	+01.48 +001.5	+07.74 0324	+05.90	+02.78	+01.40	+06.50	+01.58
9	+04.99 +005.8	-01.49 +007.5	+01.48 +001.7	+05.81 0644	+03.99	+03.02	+02.21	+08.49	+02.03
10	+04.99 +006.3	-00.99 +005.0	+01.48 +002.9	+04.43 1221	+04.50	+00.97	+02.14	+15.82	+03.95
11	+04.99 +012.0	-00.49 +003.7	+01.48 +003.8	+03.02 1463	+02.10	-00.44	+02.36	+18.41	+03.90
12	+04.99 +013.2	+00.01 +016.4	+01.47 +004.1	+02.71 1079	-01.95	-01.23	+02.33	+15.04	+03.53
13	+04.99 +008.8	+00.51 +009.5	+01.47 +003.7	+02.94 1066	-02.81	-01.20	+02.39	+13.60	+03.41
14	+04.99 +004.6	+01.01 +002.4	+01.47 +003.1	+04.16 1054	-05.20	+00.01	+02.50	+13.03	+03.58
15	+04.99 +003.3	+01.51 +000.9	+01.46 +002.2	+05.64 0687	-07.82	+02.08	+02.29	+10.70	+02.71
16	+04.99 +003.4	+02.01 +001.4	+01.46 +001.4	+06.97 0673	-06.53	+02.76	+02.23	+08.20	+02.11
17	+04.99 +004.0	+02.51 +001.9	+01.46 +001.6	+08.20 0282	-07.03	+03.24	+02.32	+08.33	+02.09
18	+04.99 +003.7	+03.01 +002.4	+01.46 +001.1	+08.92 0285	-05.47	+02.99	+01.86	+06.71	+01.59
19	+04.99 +003.1	+03.51 +002.1	+01.45 +000.9	+09.79 0286	-05.47	+02.83	+01.46	+06.05	+01.40

20	+04.99 +003.6	+04.01 +002.3	+01.45 +001.1	+10.08 0190	-05.68	+02.80	+01.55	+05.80	+01.36
21	+04.99 +003.4	+04.51 +003.8	+01.45 +000.8	+10.33 0194	-03.42	+02.03	+01.37	+04.81	+01.05
22	+04.99 +003.0	+05.01 +002.5	+01.45 +000.6	+10.86 0193	-04.15	+01.85	+01.35	+04.60	+00.88
23	+04.99 +003.0	+05.51 +002.5	+01.44 +000.8	+11.53 0191	-03.59	+01.55	+01.14	+04.65	+01.11
24	+04.99 +002.9	+06.01 +001.7	+01.44 +000.8	+11.54 0192	-04.14	+01.42	+01.20	+04.60	+01.08
25	+04.99 +002.4	+07.01 +001.1	+01.44 +000.6	+12.18 0191	-04.36	+01.10	+01.12	+03.95	+00.93
26	+04.99 +002.5	+08.01 +001.4	+01.43 +000.6	+12.37 0195	-03.20	+00.76	+01.18	+04.09	+00.99

FILE:DAT52

No.	Xcm DELxy	Ycm DELyz	Zcm DELzx	Um/s Navg	Vm/s	Wm/s	Su	Sv	Sw
1	+10.01 +005.3	-03.50 +007.6	+01.50 +001.6	+08.01 0257	+03.69	+01.56	+01.81	+05.76	+01.44
2	+10.01 +005.4	-03.00 +005.6	+01.50 +001.8	+07.40 0254	+04.52	+01.37	+02.27	+06.79	+01.67
3	+10.01 +006.4	-02.50 +007.7	+01.50 +001.9	+06.27 0407	+03.53	+01.39	+02.22	+07.69	+01.67
4	+10.01 +004.9	-02.00 +003.7	+01.49 +001.9	+05.82 0772	+04.61	+00.73	+02.40	+10.16	+02.55
5	+10.01 +006.8	-01.50 +004.4	+01.49 +002.5	+05.21 0793	+03.68	+00.30	+02.43	+12.02	+02.91
6	+10.01 +009.7	-01.00 +004.4	+01.49 +002.6	+04.72 0799	+01.87	-00.23	+02.09	+12.80	+02.86
7	+10.01 +011.2	-00.50 +009.1	+01.49 +003.0	+04.03 0822	+01.68	-00.88	+02.37	+13.01	+03.04
8	+10.01 +013.0	+00.00 +021.2	+01.48 +003.2	+03.78 0808	+01.03	-01.08	+02.36	+12.69	+03.08
9	+10.01 +016.5	+00.50 +061.4	+01.48 +003.9	+03.87 0539	-00.24	-01.04	+02.54	+12.19	+03.14
10	+10.01 +013.3	+01.00 +012.1	+01.48 +004.4	+03.55 0536	-02.00	-00.33	+02.44	+12.05	+03.22
11	+10.01 +014.6	+01.50 +013.6	+01.48 +004.1	+03.87 0541	-01.29	-00.04	+02.73	+12.18	+03.26
12	+10.01 +019.9	+02.00 +011.3	+01.48 +005.7	+04.08 0287	-01.17	+00.37	+02.98	+13.24	+03.53
13	+10.01 +011.2	+02.50 +006.8	+01.47 +003.5	+04.88 0289	-02.78	+01.41	+03.42	+10.74	+02.72
14	+10.01 +009.1	+03.00 +007.1	+01.47 +002.6	+06.38 0283	-02.59	+01.36	+02.82	+10.04	+02.52
15	+10.01 +006.1	+03.50 +005.2	+01.47 +001.7	+07.16 0285	-03.07	+01.71	+02.83	+07.74	+01.80

FILE:DAT53

No.	Xcm DELxy	Ycm DELyz	Zcm DELzx	Um/s Navg	Vm/s	Wm/s	Su	Sv	Sw
1	+19.99 +003.4	-10.02 +009.3	+01.51 +000.9	+09.36 0095	+01.51	+00.36	+01.04	+02.78	+00.70
2	+19.99 +004.4	-09.02 +015.5	+01.51 +001.1	+08.75 0096	+01.35	+00.50	+01.47	+03.46	+00.87
3	+19.99 +006.0	-08.02 +022.5	+01.50 +001.4	+08.20 0098	+01.16	+00.52	+01.54	+04.38	+00.98
4	+19.99 +007.6	-07.02 +031.0	+01.50 +001.7	+06.99 0095	+00.99	+00.61	+01.73	+04.67	+01.02
5	+19.99 +006.9	-06.02 +017.2	+01.50 +001.7	+06.00 0173	+01.33	+00.53	+01.81	+04.37	+01.08
6	+19.99 +008.6	-05.02 +026.0	+01.50 +002.1	+05.84 0176	+01.13	+00.54	+01.87	+05.36	+01.19
7	+19.99 +009.0	-04.02 +092.0	+01.49 +002.2	+05.34 0272	+00.00	+00.53	+01.57	+06.76	+01.65
8	+19.99 +009.0	-03.02 +146.2	+01.49 +002.1	+05.47 0264	+00.10	+00.01	+01.57	+06.69	+01.59
9	+19.99 +010.6	-02.52 +028.7	+01.49 +002.7	+05.08 0288	+00.52	-00.27	+01.88	+08.15	+02.08
10	+19.99 +010.1	-02.02 +076.5	+01.48 +002.5	+05.26 0288	-00.43	-00.32	+01.69	+08.09	+02.01
11	+19.99 +007.1	-01.52 +047.2	+01.48 +001.8	+05.17 0539	-00.45	-00.58	+01.66	+07.28	+01.87
12	+19.99 +006.9	-01.02 +048.7	+01.48 +001.7	+05.02 0546	-00.04	-00.72	+01.65	+06.86	+01.71
13	+19.99 +006.5	-00.52 +042.5	+01.47 +001.6	+05.27 0532	-00.24	-00.78	+01.50	+06.49	+01.57
14	+19.99 +006.2	-00.02 +015.2	+01.47 +001.6	+05.34 0532	-01.25	-00.54	+01.50	+06.67	+01.62
15	+19.99 +006.5	+00.48 +035.6	+01.47 +001.6	+05.24 0531	-00.53	-00.73	+01.66	+06.22	+01.47
16	+19.99 +006.3	+00.98 +031.4	+01.47 +001.7	+05.11 0522	-00.61	-00.70	+01.50	+05.77	+01.48
17	+19.99 +007.0	+01.48 +014.6	+01.46 +001.8	+05.12 0539	-01.21	-00.34	+01.59	+07.19	+01.75
18	+19.99 +007.5	+01.98 +025.0	+01.46 +002.0	+04.93 0547	-00.86	-00.39	+01.54	+07.52	+01.88
19	+19.99 +007.4	+02.48 +012.4	+01.46 +002.0	+04.88 0549	-01.25	-00.22	+01.80	+07.69	+01.95

20	+19.99 +007.5	+02.98 +037.2	+01.45 +001.8	+04.95 0537	-00.41	-00.08	+01.64	+07.28	+01.84
21	+19.99 +008.2	+03.98 +004.3	+01.45 +002.1	+04.97 0365	-01.42	+00.29	+01.72	+07.25	+01.68
22	+19.99 +009.4	+04.98 +009.9	+01.45 +002.5	+05.57 0191	-01.41	+00.69	+02.06	+06.91	+01.75
23	+19.99 +007.6	+05.98 +006.1	+01.44 +002.0	+06.20 0192	-01.92	+00.81	+02.05	+06.29	+01.50
24	+19.99 +005.5	+06.98 +002.9	+01.43 +001.5	+07.17 0192	-02.31	+00.72	+02.22	+05.30	+01.34
25	+19.99 +004.2	+07.98 +005.6	+01.43 +001.0	+08.26 0192	-01.33	+00.50	+01.88	+04.41	+01.03
26	+19.99 +004.1	+08.98 +003.5	+01.42 +001.0	+08.81 0191	-01.72	+00.47	+01.41	+04.66	+01.05
27	+19.99 +003.6	+09.98 +002.2	+01.42 +001.0	+09.26 0194	-02.10	+00.55	+01.43	+04.34	+01.12

FILE:DAT54

No.	Xcm DELxy	Ycm DELYz	Zcm DELzx	Um/s Navg	Vm/s	Wm/s	Su	Sv	Sw
1	+05.01 +001.3	-07.99 +003.1	+02.99 +000.4	+14.19 0194	+03.23	+01.23	+00.86	+02.30	+00.62
2	+05.01 +001.2	-06.99 +002.3	+02.99 +000.3	+14.21 0191	+04.15	+01.53	+01.01	+02.27	+00.58
3	+05.01 +001.3	-05.99 +002.1	+02.99 +000.4	+14.04 0192	+04.96	+02.02	+01.02	+02.39	+00.62
4	+05.01 +001.7	-04.99 +002.9	+02.98 +000.5	+13.51 0192	+05.04	+02.82	+01.07	+03.07	+00.78
5	+05.01 +002.2	-03.99 +003.7	+02.98 +000.7	+12.31 0189	+05.25	+03.66	+00.90	+03.83	+01.04
6	+05.01 +002.7	-02.99 +003.6	+02.97 +000.8	+10.75 0189	+06.40	+04.27	+01.32	+04.63	+01.17
7	+05.01 +003.8	-01.99 +004.6	+02.97 +001.2	+09.32 0189	+07.21	+04.60	+01.47	+06.78	+01.63
8	+05.01 +003.4	-01.49 +003.9	+02.96 +001.3	+07.77 0335	+07.23	+04.26	+01.61	+06.79	+01.72
9	+05.01 +004.5	-00.99 +005.4	+02.96 +001.5	+06.40 0509	+05.75	+03.93	+01.58	+08.97	+02.02
10	+05.01 +004.6	-00.49 +005.2	+02.95 +001.6	+05.07 0778	+05.11	+02.96	+01.65	+11.06	+02.29
11	+05.01 +009.6	+00.01 +014.2	+02.95 +001.7	+04.65 0792	+01.30	+03.12	+01.86	+11.44	+02.24
12	+05.01 +009.9	+00.51 +016.6	+02.94 +001.9	+05.18 0523	-00.69	+02.93	+01.91	+09.67	+02.15
13	+05.01 +006.5	+01.01 +007.1	+02.94 +001.6	+05.98 0514	-02.86	+03.47	+01.88	+08.66	+02.00
14	+05.01 +004.2	+01.51 +003.8	+02.93 +001.2	+07.51 0517	-04.43	+04.03	+01.52	+07.67	+01.89
15	+05.01 +004.8	+02.01 +004.0	+02.93 +001.4	+08.60 0291	-05.43	+04.54	+02.08	+08.59	+02.11
16	+05.01 +003.6	+02.51 +003.1	+02.93 +001.0	+09.73 0286	-06.03	+04.70	+01.70	+07.25	+01.64
17	+05.01 +002.9	+03.01 +002.4	+02.92 +000.8	+11.08 0288	-06.89	+04.63	+01.61	+06.77	+01.44
18	+05.01 +002.4	+03.51 +001.9	+02.92 +000.6	+11.91 0286	-06.63	+04.13	+01.34	+05.58	+01.21
19	+05.01 +002.2	+04.01 +001.6	+02.92 +000.6	+12.22 0287	-06.29	+03.66	+01.33	+04.97	+01.16

20	+05.01 +001.6	+05.01 +001.1	+02.91 +000.4	+13.29 0287	-06.12	+02.92	+01.18	+03.96	+00.91
21	+05.01 +001.6	+06.01 +001.3	+02.91 +000.4	+13.96 0286	-05.00	+02.07	+01.04	+03.72	+00.75
22	+05.01 +001.5	+07.01 +001.1	+02.90 +000.4	+13.96 0286	-04.19	+01.49	+00.89	+03.54	+00.78
23	+05.01 +001.3	+08.01 +000.8	+02.90 +000.3	+14.05 0286	-03.79	+01.04	+00.72	+02.88	+00.64

FILE:DAT55

No.	Xcm DELxy	Ycm DELYz	Zcm DELzx	Um/s Navg	Vm/s	Wm/s	Su	Sv	Sw
1	+05.01 +001.3	-07.99 +003.1	+02.99 +000.4	+14.19 0194	+03.23	+01.23	+00.86	+02.30	+00.62
2	+05.01 +001.2	-06.99 +002.3	+02.99 +000.3	+14.21 0191	+04.15	+01.53	+01.01	+02.27	+00.58
3	+05.01 +001.3	-05.99 +002.1	+02.99 +000.4	+14.04 0192	+04.96	+02.02	+01.02	+02.39	+00.62
4	+05.01 +001.7	-04.99 +002.9	+02.98 +000.5	+13.51 0192	+05.04	+02.82	+01.07	+03.07	+00.78
5	+05.01 +002.2	-03.99 +003.7	+02.98 +000.7	+12.31 0189	+05.25	+03.66	+00.90	+03.83	+01.04
6	+05.01 +002.7	-02.99 +003.6	+02.97 +000.8	+10.75 0189	+06.40	+04.27	+01.32	+04.63	+01.17
7	+05.01 +003.8	-01.99 +004.6	+02.97 +001.2	+09.32 0189	+07.21	+04.60	+01.47	+06.78	+01.63
8	+05.01 +003.4	-01.49 +003.9	+02.96 +001.3	+07.77 0335	+07.23	+04.26	+01.61	+06.79	+01.72
9	+05.01 +004.5	-00.99 +005.4	+02.96 +001.5	+06.40 0509	+05.75	+03.93	+01.58	+08.97	+02.02
10	+05.01 +004.6	-00.49 +005.2	+02.95 +001.6	+05.07 0778	+05.11	+02.96	+01.65	+11.06	+02.29
11	+05.01 +009.6	+00.01 +014.2	+02.95 +001.7	+04.65 0792	+01.30	+03.12	+01.86	+11.44	+02.24
12	+05.01 +009.9	+00.51 +016.6	+02.94 +001.9	+05.18 0523	-00.69	+02.93	+01.91	+09.67	+02.15
13	+05.01 +006.5	+01.01 +007.1	+02.94 +001.6	+05.98 0514	-02.86	+03.47	+01.88	+08.66	+02.00
14	+05.01 +004.2	+01.51 +003.8	+02.93 +001.2	+07.51 0517	-04.43	+04.03	+01.52	+07.67	+01.89
15	+05.01 +004.8	+02.01 +004.0	+02.93 +001.4	+08.60 0291	-05.43	+04.54	+02.08	+08.59	+02.11
16	+05.01 +003.6	+02.51 +003.1	+02.93 +001.0	+09.73 0286	-06.03	+04.70	+01.70	+07.25	+01.64
17	+05.01 +002.9	+03.01 +002.4	+02.92 +000.8	+11.08 0288	-06.89	+04.63	+01.61	+06.77	+01.44
18	+05.01 +002.4	+03.51 +001.9	+02.92 +000.6	+11.91 0286	-06.63	+04.13	+01.34	+05.58	+01.21
19	+05.01 +002.2	+04.01 +001.6	+02.92 +000.6	+12.22 0287	-06.29	+03.66	+01.33	+04.97	+01.16

20	+05.01 +001.6	+05.01 +001.1	+02.91 +000.4	+13.29 0287	-06.12	+02.92	+01.18	+03.96	+00.91
21	+05.01 +001.6	+06.01 +001.3	+02.91 +000.4	+13.96 0286	-05.00	+02.07	+01.04	+03.72	+00.75
22	+05.01 +001.5	+07.01 +001.1	+02.90 +000.4	+13.96 0286	-04.19	+01.49	+00.89	+03.54	+00.78
23	+05.01 +001.3	+08.01 +000.8	+02.90 +000.3	+14.05 0286	-03.79	+01.04	+00.72	+02.88	+00.64

FILE:DAT56

No.	Xcm DELxy	Ycm DELyz	Zcm DELzx	Um/s Navg	Vm/s	Wm/s	Su	Sv	Sw
1	-09.99 +001.7	-10.02 +018.2	+14.99 +000.4	+11.13 0194	-00.43	-00.92	+00.55	+02.37	+00.53
2	-09.99 +001.6	-09.02 +019.3	+14.99 +000.4	+11.26 0195	-00.01	-00.95	+00.24	+02.28	+00.50
3	-09.99 +001.7	-08.02 +018.3	+14.99 +000.4	+11.14 0196	-00.32	-01.01	+00.25	+02.41	+00.52
4	-09.99 +001.7	-07.02 +016.9	+14.98 +000.4	+10.94 0194	-00.40	-01.06	+00.25	+02.38	+00.56
5	-09.99 +001.8	-06.02 +012.4	+14.98 +000.4	+10.81 0196	-00.84	-01.17	+00.23	+02.46	+00.54
6	-09.99 +001.8	-05.02 +018.0	+14.97 +000.4	+10.80 0193	-00.15	-01.12	+00.25	+02.47	+00.52
7	-09.99 +001.8	-04.02 +014.2	+14.97 +000.4	+10.57 0190	-00.71	-01.07	+00.24	+02.43	+00.52
8	-09.99 +001.9	-03.02 +016.7	+14.96 +000.4	+10.55 0195	-00.54	-01.03	+00.27	+02.51	+00.49
9	-09.99 +001.9	-02.02 +014.8	+14.95 +000.4	+10.38 0193	-00.72	-00.99	+00.30	+02.48	+00.49
10	-09.99 +002.0	-01.02 +013.7	+14.95 +000.5	+10.39 0195	-00.88	-00.99	+00.26	+02.58	+00.62
11	-09.99 +001.8	-00.02 +013.2	+14.94 +000.4	+10.34 0195	+00.52	-01.02	+00.29	+02.28	+00.47
12	-09.99 +001.8	+00.98 +012.5	+14.94 +000.4	+10.48 0195	+00.56	-01.11	+00.34	+02.35	+00.50
13	-09.99 +001.9	+01.98 +012.6	+14.93 +000.4	+10.37 0195	+00.60	-01.15	+00.31	+02.47	+00.51
14	-09.99 +002.0	+02.98 +017.1	+14.93 +000.4	+10.66 0196	+00.29	-01.08	+00.29	+02.60	+00.58
15	-09.99 +002.0	+03.98 +009.2	+14.92 +000.4	+10.75 0192	+01.03	-01.15	+00.42	+02.72	+00.58
16	-09.99 +001.9	+04.98 +010.6	+14.91 +000.4	+10.86 0194	+00.85	-01.21	+00.34	+02.63	+00.52
17	-09.99 +001.9	+05.98 +013.6	+14.91 +000.4	+10.98 0194	+00.60	-01.02	+00.35	+02.55	+00.51
18	-09.99 +001.9	+06.98 +010.2	+14.90 +000.4	+11.14 0193	+00.93	-01.09	+00.35	+02.71	+00.54
19	-09.99 +001.9	+07.98 +012.2	+14.90 +000.4	+11.41 0193	+00.74	-00.91	+00.35	+02.67	+00.60

20	-09.99	+08.98	+14.89	+11.48	+01.28	-01.01	+00.34	+02.67	+00.58
	+001.8	+006.6	+000.4	0194					

21	-09.99	+09.98	+14.89	+11.53	+00.86	-00.96	+00.36	+02.76	+00.62
	+001.9	+011.0	+000.4	0194					

FILE:DAT57

No.	Xcm DELxy	Ycm DELyz	Zcm DELzx	Um/s Navg	Vm/s	Wm/s	Su	Sv	Sw
1	+04.00 +001.5	-10.02 +001.0	+10.01 +000.4	+16.26 0189	+03.94	-00.63	+01.36	+03.06	+00.80
2	+04.00 +001.4	-09.72 +000.9	+10.01 +000.4	+17.08 0194	+04.30	-00.74	+00.79	+03.17	+00.82
3	+04.00 +001.5	-09.42 +001.0	+10.01 +000.4	+17.42 0195	+04.32	-00.76	+00.75	+03.56	+00.85
4	+04.00 +001.5	-08.92 +000.9	+10.00 +000.4	+17.91 0191	+04.74	-00.83	+00.95	+03.56	+00.87
5	+04.00 +001.6	-08.42 +000.9	+10.00 +000.4	+18.43 0192	+05.33	-00.62	+01.22	+03.96	+00.90
6	+04.00 +002.0	-07.92 +001.0	+10.00 +000.5	+19.12 0193	+06.35	-00.71	+01.09	+05.29	+01.17
7	+04.00 +002.1	-07.42 +001.1	+09.99 +000.6	+19.94 0193	+08.26	-00.74	+01.57	+06.11	+01.55
8	+04.00 +002.4	-06.92 +001.7	+09.99 +000.7	+20.51 0193	+08.50	-00.06	+01.63	+06.98	+01.81
9	+04.00 +002.0	-06.42 +001.8	+09.99 +000.6	+20.81 0346	+08.49	+00.61	+01.64	+06.90	+01.73
10	+04.00 +002.0	-05.92 +001.4	+09.98 +000.6	+21.94 0342	+12.19	+00.89	+02.10	+08.12	+02.11
11	+04.00 +001.8	-05.42 +001.4	+09.98 +000.6	+23.03 0663	+14.80	+02.50	+02.80	+11.47	+02.64
12	+04.00 +001.6	-04.92 +001.8	+09.98 +000.5	+23.20 1333	+15.39	+05.82	+03.22	+16.67	+03.97
13	+04.00 +001.6	-04.42 +001.9	+09.98 +000.5	+22.22 1995	+17.46	+09.90	+04.05	+21.45	+04.96
14	+04.00 +003.8	-03.92 +004.6	+09.97 +001.2	+20.25 0511	+18.74	+15.21	+03.77	+26.72	+06.55
15	+04.00 +003.4	-03.42 +004.1	+09.97 +001.0	+17.15 0529	+22.08	+21.30	+04.22	+29.98	+06.97
16	+04.00 +002.6	-02.92 +003.7	+09.97 +000.9	+12.36 0544	+24.66	+24.95	+04.21	+30.05	+07.55
17	+04.00 +003.0	-02.42 +004.5	+09.97 +000.9	+07.60 0362	+19.69	+26.15	+04.19	+25.58	+06.43
18	+04.00 +001.5	-01.92 +004.2	+09.96 +001.0	+00.21 0352	+16.52	+24.18	+03.96	+19.13	+04.66
19	+04.00 +005.6	-01.42 +005.7	+09.96 +001.0	-07.79 0190	+12.14	+21.37	+02.57	+18.02	+03.99

20	+04.00	-00.92	+09.96	-09.23	+07.10	+19.75	+02.92	+14.62	+03.31
	+008.2	+005.7	+001.1	0190					

21	+04.00	+00.08	+09.95	-08.91	+02.15	+17.68	+02.35	+12.05	+02.75
	+010.4	+005.6	+001.0	0191					

FILE:DRT58

No.	Xcm DELxy	Ycm DELyz	Zcm DELzx	Um/s Navg	Vm/s	Wm/s	Su	Sv	Sw
1	+04.00 +002.2	+10.00 +002.3	+09.99 +000.4	+16.33 0191	-04.22	-00.49	+00.68	+04.78	+00.75
2	+04.00 +001.8	+09.00 +002.1	+09.99 +000.4	+16.96 0193	-04.81	-00.52	+00.78	+04.15	+00.88
3	+04.00 +002.0	+08.00 +001.8	+10.00 +000.5	+17.98 0193	-06.63	-00.42	+01.05	+05.14	+01.18
4	+04.00 +002.4	+07.00 +001.6	+10.00 +000.7	+19.61 0191	-08.31	-00.03	+01.30	+06.89	+01.64
5	+04.00 +002.3	+06.00 +001.2	+10.01 +000.6	+20.78 0514	-08.34	+00.50	+01.63	+09.66	+02.33
6	+04.00 +002.3	+05.00 +002.3	+10.01 +000.5	+22.27 1655	-08.23	+04.65	+02.62	+18.38	+03.72
7	+04.00 +012.0	+02.00 +005.7	+10.02 +001.2	+10.17 0347	-04.62	+23.37	+04.86	+20.97	+05.02
8	+04.00 +040.4	+01.00 +007.3	+10.02 +002.0	+01.49 0190	-01.79	+18.66	+04.72	+17.10	+03.80
9	+04.00 +013.5	+00.00 +006.6	+10.02 +001.0	-06.75 0191	+02.48	+15.93	+01.94	+12.79	+02.59
10	+04.00 +010.0	-01.00 +006.7	+10.02 +001.2	-08.34 0191	+05.88	+17.86	+02.68	+15.30	+03.48
11	+04.00 +005.1	-05.00 +005.6	+10.03 +001.6	+18.58 0190	+12.38	+05.02	+03.53	+16.41	+03.88
12	+04.00 +003.2	-06.00 +002.7	+10.04 +000.9	+19.88 0191	+10.13	+01.61	+02.07	+09.94	+02.11
13	+04.00 +002.1	-07.00 +001.6	+10.04 +000.5	+18.40 0192	+07.51	+00.51	+01.56	+05.49	+01.24
14	+04.00 +001.8	-08.00 +001.3	+10.04 +000.5	+17.46 0193	+06.21	-00.04	+01.22	+04.28	+01.03
15	+04.00 +001.4	-09.00 +000.9	+10.05 +000.3	+16.59 0191	+05.19	-00.16	+00.91	+03.08	+00.66
16	+04.00 +001.4	-10.00 +001.0	+10.05 +000.3	+15.86 0193	+03.80	-00.31	+00.88	+02.91	+00.62
17	+04.00 +001.4	-11.00 +001.3	+10.05 +000.3	+15.14 0192	+02.71	-00.26	+00.76	+02.65	+00.61

FILE:DRT59

No.	Xcm DELxy	Ycm DELYz	Zcm DELzx	Um/s Navg	Vm/s	Wm/s	Su	Sv	Sw
1	-07.99 +002.5	+00.00 +025.5	+20.00 +000.6	+10.47 0188	-00.48	-00.88	+00.79	+03.25	+00.75
2	-05.99 +003.4	+00.00 +027.5	+20.00 +000.8	+09.78 0191	-00.42	-01.13	+00.86	+04.05	+00.97
3	-03.99 +006.0	+00.00 +013.6	+20.00 +001.6	+08.68 0189	+01.58	-01.63	+01.36	+06.60	+01.71
4	-03.49 +007.3	+00.00 +020.0	+20.00 +001.8	+08.01 0192	+01.25	-01.71	+01.89	+07.42	+01.78
5	-02.99 +010.6	+00.00 +035.2	+20.00 +002.6	+08.09 0190	+01.02	-01.15	+02.24	+10.65	+02.63
6	-02.74 +011.4	+00.00 +038.6	+20.00 +002.8	+08.36 0188	+01.00	-00.91	+02.54	+11.84	+02.93
7	-02.49 +010.5	+00.00 +129.3	+20.00 +002.6	+08.01 0342	+00.15	-00.57	+02.24	+11.44	+02.90
8	-02.24 +011.9	+00.00 +021.6	+20.00 +002.9	+07.77 0346	+00.70	-00.08	+03.00	+13.15	+03.21
9	-01.99 +013.2	+00.00 +156.5	+20.00 +003.2	+08.10 0343	+00.17	+00.68	+02.77	+14.94	+03.63
10	-01.74 +012.3	+00.00 +068.1	+20.00 +002.9	+08.00 0521	+00.01	+01.40	+03.08	+18.02	+04.06
11	-01.49 +012.0	+00.00 +027.0	+20.00 +002.7	+08.13 0689	-01.24	+02.87	+03.36	+21.39	+05.17
12	-01.24 +013.4	+00.00 +021.2	+20.00 +002.5	+07.99 0696	-01.29	+04.52	+03.55	+23.34	+05.29
13	-00.99 +012.6	+00.00 +014.6	+20.00 +002.0	+08.09 1081	-01.47	+06.69	+03.89	+28.84	+06.70
14	+08.76 +009.7	+00.00 +004.8	+20.00 +000.8	-09.31 0378	+00.40	+18.76	+02.92	+15.55	+03.39
15	+08.51 +009.3	+00.00 +004.9	+20.00 +000.8	-09.51 0382	+01.33	+18.55	+02.98	+15.59	+03.19
16	+08.26 +009.7	+00.00 +005.2	+20.00 +000.8	-09.65 0381	+01.23	+18.66	+02.90	+16.53	+03.54
17	+08.01 +009.2	+00.00 +005.3	+20.00 +000.8	-10.14 0379	+02.57	+18.73	+02.78	+17.17	+03.47
18	+07.76 +008.7	+00.00 +004.9	+20.00 +000.8	-10.50 0381	+01.31	+18.99	+02.92	+16.06	+03.54
19	+07.51 +009.5	+00.00 +005.2	+20.00 +000.9	-10.25 0381	+00.88	+18.86	+03.29	+16.99	+04.16

20	+07.26 +009.2	+00.00 +005.6	+20.00 +000.9	-10.68 0378	+01.96	+18.40	+03.19	+17.59	+03.68
21	+07.01 +009.9	+00.00 +005.7	+20.00 +001.1	-10.15 0384	+02.13	+18.44	+03.99	+18.12	+03.91
22	+06.76 +009.5	+00.00 +005.7	+20.00 +000.9	-10.55 0378	+02.10	+18.32	+03.14	+17.88	+03.94
23	+06.51 +010.6	+00.00 +006.2	+20.00 +001.0	-10.19 0379	+01.62	+18.28	+03.30	+19.23	+04.17
24	+06.26 +010.5	+00.00 +006.2	+20.00 +001.0	-10.44 0380	+01.17	+18.03	+03.26	+19.20	+04.17
25	+06.01 +011.1	+00.00 +006.4	+20.00 +001.0	-10.32 0379	+00.29	+17.92	+03.46	+19.87	+04.41
26	+05.76 +012.2	+00.00 +006.8	+20.00 +001.1	-10.07 0379	+00.82	+18.26	+03.62	+21.43	+04.62
27	+05.51 +013.0	+00.00 +006.9	+20.00 +001.1	-09.75 0380	+00.03	+18.30	+03.96	+21.86	+04.65
28	+05.26 +014.5	+00.00 +007.8	+20.00 +001.2	-09.69 0386	-00.60	+18.30	+04.00	+24.84	+04.82
29	+05.01 +012.2	+00.00 +007.4	+20.00 +001.2	-09.43 0378	+04.02	+18.10	+03.83	+23.56	+04.95
30	+04.76 +012.9	+00.00 +007.6	+20.00 +001.2	-09.66 0380	+03.43	+18.45	+04.09	+24.45	+05.10
31	+04.51 +017.0	+00.00 +008.5	+20.00 +001.3	-09.45 0383	+01.47	+19.63	+04.54	+28.67	+06.31
32	+04.26 +014.9	+00.00 +008.2	+20.00 +001.3	-09.86 0381	+03.91	+20.84	+04.63	+29.61	+06.82
33	+09.51 +009.5	+00.00 +004.4	+20.00 +000.8	-07.38 0380	+02.17	+17.44	+02.47	+13.11	+02.83
34	+10.51 +016.1	+00.00 +006.1	+20.00 +001.3	-05.52 0190	+01.63	+15.96	+02.70	+11.84	+02.72
35	+11.51 +025.7	+00.00 +006.1	+20.00 +001.2	-03.58 0186	+00.23	+15.09	+02.17	+11.22	+02.50
36	+12.51 +056.8	+00.00 +006.1	+20.00 +001.4	-01.51 0189	+00.08	+14.04	+02.35	+10.52	+02.31
37	+13.51 +016.1	+00.00 +007.3	+20.00 +001.4	+00.16 0188	+01.26	+12.54	+02.07	+11.10	+02.30
38	+14.51 +036.8	+00.00 +007.2	+20.00 +001.3	+02.08 0187	+00.61	+11.54	+01.77	+10.15	+02.21
39	+15.51 +030.7	+00.00 +007.4	+20.00 +001.3	+02.62 0187	-00.16	+11.07	+01.75	+09.87	+01.82
40	+16.51 +023.0	+00.00 +008.6	+20.00 +001.6	+03.27 0189	+01.22	+10.09	+02.01	+10.49	+02.33
41	+17.51 +010.8	+00.00 +005.0	+20.00 +001.0	+04.22 0327	+00.57	+09.42	+01.28	+05.93	+01.07

42	+18.51 +011.0	+00.00 +006.7	+20.00 +001.1	+05.26 0282	+00.22	+08.77	+01.51	+08.77	+01.90
43	+19.51 +007.3	+00.00 +005.3	+20.00 +000.8	+05.66 0501	+00.40	+08.01	+01.19	+07.40	+01.41
44	+20.51 +008.8	+00.00 +007.2	+20.00 +001.1	+06.21 0282	-00.74	+07.57	+01.54	+08.32	+01.70
45	+21.51 +006.0	+00.00 +005.7	+20.00 +000.8	+06.65 0500	-00.38	+07.09	+01.17	+06.69	+01.22
46	+22.51 +007.3	+00.00 +007.8	+20.00 +001.1	+06.87 0282	+00.27	+06.56	+01.67	+07.60	+01.51
47	+23.51 +007.8	+00.00 +008.7	+20.00 +001.1	+07.32 0281	-00.10	+06.54	+01.49	+08.55	+01.75

FILE:DRT60

No.	Xcm DELxy	Ycm DELYz	Zcm DELzx	Um/s Navg	Vm/s	Wm/s	Su	Sv	Sw
1	-04.99 +004.6	+00.00 +213.6	+39.99 +001.0	+09.33 0087	+00.11	+00.10	+00.40	+03.00	+00.64
2	-02.99 +005.9	+00.00 +033.6	+39.99 +001.2	+09.13 0048	-00.61	+00.43	+00.56	+03.33	+00.68
3	-00.99 +005.0	+00.00 +064.3	+39.99 +001.2	+08.54 0097	+00.26	+00.62	+00.84	+03.79	+00.89
4	+01.01 +006.8	+00.00 +050.8	+39.99 +001.4	+08.36 0094	-00.03	+01.13	+00.76	+04.97	+01.02
5	+03.01 +005.8	+00.00 +025.8	+39.99 +001.4	+07.96 0254	+00.82	+01.54	+01.00	+05.62	+01.31
6	+04.01 +007.0	+00.00 +026.0	+39.99 +001.6	+08.18 0286	+01.09	+01.82	+01.33	+08.74	+02.04
7	+05.01 +006.9	+00.00 +022.9	+39.99 +001.4	+08.25 0504	+00.30	+02.50	+01.35	+08.72	+02.02
8	+06.01 +006.4	+00.00 +017.6	+39.99 +001.3	+08.38 0736	+00.73	+03.04	+01.41	+09.91	+02.28
9	+07.01 +012.8	+00.00 +022.5	+39.99 +002.7	+08.64 0280	-01.81	+03.82	+02.31	+17.20	+04.10
10	+08.01 +017.7	+00.00 +030.9	+39.99 +003.4	+08.94 0285	+00.96	+05.15	+02.80	+23.96	+05.90
11	+09.01 +017.1	+00.00 +022.3	+39.99 +003.0	+09.63 0288	-02.30	+06.46	+03.41	+26.04	+06.17
12	+16.01 +011.1	+00.00 +010.0	+39.99 +001.5	+14.21 0383	+00.34	+15.86	+04.88	+27.35	+06.32
13	+19.01 +015.0	+00.00 +012.4	+39.99 +002.0	+09.47 0285	+02.09	+12.10	+04.24	+22.43	+05.06
14	+20.01 +016.0	+00.00 +012.0	+39.99 +002.1	+08.76 0287	-00.59	+11.58	+04.41	+21.22	+04.88
15	+21.01 +022.5	+00.00 +015.6	+39.99 +002.6	+07.01 0191	+01.58	+10.65	+03.76	+20.43	+04.81
16	+22.01 +025.7	+00.00 +015.4	+39.99 +002.5	+06.08 0191	+01.45	+10.79	+03.41	+20.37	+04.76
17	+23.01 +028.8	+00.00 +015.4	+39.99 +002.4	+05.63 0192	+00.23	+10.71	+03.22	+20.20	+04.54
18	+24.01 +018.2	+00.00 +011.0	+39.99 +002.3	+05.65 0190	-03.73	+11.31	+03.36	+18.02	+04.38
19	+25.01 +029.9	+00.00 +012.6	+39.99 +002.1	+04.60 0190	-01.28	+11.42	+03.01	+18.21	+03.89

20	+26.01 +050.1	+00.00 +018.4	+39.99 +002.6	+04.35 0096	-00.27	+11.77	+02.50	+19.08	+04.82
21	+27.01 +039.3	+00.00 +016.6	+39.99 +002.8	+04.67 0095	+01.38	+12.13	+03.01	+17.37	+03.96
22	+28.01 +038.1	+00.00 +016.9	+39.99 +002.5	+04.58 0095	-01.84	+11.29	+02.47	+17.56	+03.66
23	+29.01 +031.2	+00.00 +012.6	+39.99 +002.1	+04.32 0094	+01.88	+12.85	+02.35	+13.80	+03.55
24	+30.01 +030.2	+00.00 +012.8	+39.99 +002.3	+04.51 0095	+01.98	+12.56	+02.61	+13.96	+03.42
25	+31.01 +035.1	+00.00 +012.9	+39.99 +002.3	+04.67 0096	-00.27	+12.94	+02.61	+14.42	+03.49
26	+32.01 +033.9	+00.00 +012.3	+39.99 +002.2	+04.83 0095	-00.26	+13.31	+02.56	+14.23	+03.44
27	+33.01 +035.0	+00.00 +012.9	+39.99 +002.2	+04.79 0096	+00.76	+13.70	+02.69	+15.14	+03.59
28	+34.01 +026.9	+00.00 +011.5	+39.99 +001.9	+04.97 0094	-02.46	+13.33	+02.22	+14.29	+03.55
29	+35.01 +027.3	+00.00 +010.0	+39.99 +002.0	+04.44 0094	-01.83	+13.63	+02.45	+12.28	+02.52
30	+36.01 +023.5	+00.00 +011.2	+39.99 +001.9	+05.21 0094	+02.07	+12.53	+02.10	+12.22	+02.88
31	+37.01 +023.1	+00.00 +009.8	+39.99 +002.2	+05.49 0095	-00.77	+13.18	+02.81	+11.23	+02.46
32	+38.01 +019.6	+00.00 +008.7	+39.99 +001.8	+05.83 0095	+00.51	+13.19	+02.17	+09.94	+02.43
33	+39.01 +009.5	+00.00 +004.0	+39.99 +000.8	+05.53 0436	+00.54	+13.08	+01.97	+08.99	+02.05
34	+41.01 +013.4	+00.00 +006.2	+39.99 +001.2	+05.88 0189	-00.26	+12.69	+01.97	+09.66	+02.23
35	+43.01 +012.4	+00.00 +006.2	+39.99 +001.1	+06.27 0189	-00.78	+12.64	+01.95	+09.65	+02.11

FILE:DAT61

No.	Xcm DELxy	Ycm DELyz	Zcm DELzx	Um/s Navg	Vm/s	Wm/s	Su	Sv	Sw
1	-03.99 +001.9	-10.02 +035.5	+05.00 +000.5	+13.36 0094	+00.27	-00.45	+00.46	+02.16	+00.55
2	-03.99 +001.4	-09.02 +032.5	+05.00 +000.3	+13.56 0179	-00.27	-00.52	+00.43	+02.18	+00.44
3	-03.99 +001.9	-08.02 +020.0	+05.00 +000.4	+13.73 0096	-00.79	-00.61	+00.59	+02.28	+00.52
4	-03.99 +001.9	-07.02 +021.7	+05.00 +000.5	+13.79 0096	-00.69	-00.83	+00.59	+02.25	+00.60
5	-03.99 +001.4	-06.02 +013.6	+04.99 +000.3	+13.65 0178	-00.86	-00.92	+00.46	+02.23	+00.50
6	-03.99 +001.7	-05.02 +009.6	+04.99 +000.4	+13.52 0178	-01.44	-01.16	+00.50	+02.26	+00.54
7	-03.99 +001.7	-04.02 +007.1	+04.98 +000.4	+12.86 0178	-01.88	-01.38	+00.48	+02.40	+00.62
8	-03.99 +002.1	-03.02 +006.2	+04.98 +000.6	+11.85 0179	-02.50	-01.63	+00.55	+02.85	+00.74
9	-03.99 +002.5	-02.02 +005.8	+04.97 +000.7	+10.43 0167	-02.86	-01.60	+00.65	+02.76	+00.72
10	-03.99 +002.8	-01.02 +006.0	+04.96 +000.7	+09.33 0262	-02.75	-01.48	+00.92	+03.59	+00.80
11	-03.99 +002.6	-00.02 +014.9	+04.96 +000.6	+08.75 0534	-00.20	-01.55	+00.91	+04.46	+01.03
12	-03.99 +002.1	+00.98 +006.5	+04.95 +000.5	+09.45 0524	+01.29	-01.54	+00.84	+03.65	+00.92
13	-03.99 +002.3	+01.98 +003.6	+04.95 +000.6	+10.73 0288	+02.35	-01.53	+00.80	+03.92	+00.99
14	-03.99 +002.2	+02.98 +003.6	+04.94 +000.5	+12.24 0180	+02.56	-01.54	+00.59	+03.17	+00.73
15	-03.99 +001.7	+03.98 +004.0	+04.94 +000.4	+13.06 0172	+02.09	-01.33	+00.45	+02.42	+00.53
16	-03.99 +001.5	+04.98 +007.7	+04.93 +000.3	+13.66 0175	+01.12	-01.09	+00.43	+02.25	+00.49
17	-03.99 +001.4	+05.98 +007.8	+04.93 +000.3	+13.85 0173	+01.03	-00.97	+00.49	+02.05	+00.43
18	-03.99 +001.6	+06.98 +029.5	+04.92 +000.4	+13.75 0175	-00.03	-00.72	+00.47	+02.30	+00.54
19	-03.99 +002.1	+07.98 +036.9	+04.92 +000.4	+13.64 0097	+00.16	-00.71	+00.53	+02.47	+00.49

20	-03.99	+08.98	+04.91	+13.14	-00.54	-00.54	+00.53	+02.38	+00.51
	+002.1	+030.1	+000.5	0096					

FILE:DAT62

No.	Xcm DELxy	Ycm DELyz	Zcm DELzx	Um/s Navg	Vm/s	Wm/s	Su	Sv	Sw
1	-07.50 +003.3	+00.00 +150.1	+00.06 +000.6	+07.03 0188	+00.07	-00.10	+01.60	+02.89	+00.55
2	-07.50 +003.4	+00.00 +125.7	+00.16 +000.8	+08.19 0191	-00.13	-00.12	+01.30	+03.38	+00.79
3	-07.50 +004.4	+00.00 +168.9	+00.26 +000.8	+08.48 0191	-00.09	-00.20	+01.33	+04.58	+00.86
4	-07.50 +003.7	+00.00 +189.7	+00.36 +000.7	+09.10 0192	-00.02	-00.18	+01.21	+04.26	+00.82
5	-07.50 +003.9	+00.00 +012.5	+00.46 +000.8	+08.92 0191	+00.67	-00.27	+01.31	+04.30	+00.90
6	-07.50 +004.1	+00.00 +031.8	+00.56 +000.8	+09.61 0195	+00.34	-00.16	+01.34	+04.88	+00.98
7	-07.50 +004.5	+00.00 +143.8	+00.66 +001.0	+09.31 0193	-00.02	-00.29	+01.37	+05.20	+01.14
8	-07.50 +003.6	+00.00 +020.2	+00.76 +000.8	+09.75 0190	+00.52	-00.26	+01.27	+04.37	+00.91
9	-07.50 +003.6	+00.00 +012.7	+00.86 +000.8	+09.99 0191	-00.84	-00.07	+01.16	+04.47	+01.03
10	-07.50 +004.4	+00.00 +118.6	+00.96 +000.9	+09.70 0193	+00.04	-00.35	+01.30	+05.32	+01.09
11	-07.50 +003.9	+00.00 +088.5	+01.06 +000.8	+09.82 0192	+00.11	-00.38	+01.35	+04.71	+01.01
12	-07.50 +004.4	+00.00 +078.5	+01.16 +000.9	+10.43 0192	+00.24	-00.37	+01.12	+05.64	+01.14
13	-07.50 +004.1	+00.00 +052.8	+01.26 +001.0	+10.23 0194	-00.41	-00.33	+01.26	+05.26	+01.25
14	-07.50 +003.8	+00.00 +015.6	+01.36 +000.9	+10.20 0193	+00.89	-00.59	+01.31	+04.83	+01.09
15	-07.50 +004.5	+00.00 +047.3	+01.46 +001.0	+09.95 0194	-00.58	-00.50	+01.33	+05.66	+01.26
16	-07.50 +003.8	+00.00 +028.4	+01.56 +000.8	+10.34 0190	+00.61	-00.71	+01.20	+04.84	+00.99
17	-07.50 +003.8	+00.00 +054.4	+01.66 +000.9	+10.49 0192	-00.40	-00.53	+01.18	+04.93	+01.12
18	-07.50 +003.4	+00.00 +008.8	+02.06 +000.8	+10.36 0190	+01.43	-00.90	+01.35	+04.44	+00.99
19	-07.50 +003.6	+00.00 +054.7	+02.46 +000.8	+11.12 0190	+00.11	-00.70	+01.08	+04.97	+01.15

20	-07.50 +003.5	+00.00 +009.9	+02.86 +000.8	+10.74 0189	+01.40	-00.97	+01.43	+04.59	+01.00
21	-07.50 +002.8	+00.00 +027.3	+03.26 +000.6	+11.89 0191	-00.72	-00.77	+00.86	+04.11	+00.89
22	-07.50 +003.0	+00.00 +034.9	+03.66 +000.6	+11.88 0190	+00.15	-00.97	+00.79	+04.36	+00.88
23	-07.50 +002.2	+00.00 +028.7	+04.06 +000.4	+11.95 0189	-00.10	-00.92	+00.62	+03.23	+00.62

FILE:DAT63

No.	Xcm DELxy	Ycm DELyZ	Zcm DELzx	Um/s Navg	Vm/s	Wm/s	Su	Sv	Sw
1	+00.01 +005.1	+07.50 +002.0	+00.05 +000.8	+04.58 0193	-01.80	+00.03	+02.61	+03.26	+00.47
2	+00.01 +001.7	+07.50 +001.6	+00.10 +000.4	+10.71 0189	-02.43	+00.06	+01.61	+02.35	+00.51
3	+00.01 +001.6	+07.50 +001.7	+00.15 +000.4	+12.25 0190	-02.44	+00.04	+01.51	+02.56	+00.53
4	+00.01 +001.6	+07.50 +002.1	+00.20 +000.3	+12.75 0190	-02.13	+00.01	+01.12	+02.52	+00.55
5	+00.01 +001.9	+07.50 +002.8	+00.25 +000.4	+12.87 0192	-01.83	+00.04	+01.15	+03.14	+00.67
6	+00.01 +001.8	+07.50 +002.0	+00.30 +000.4	+13.22 0190	-02.32	+00.09	+00.93	+02.93	+00.66
7	+00.01 +001.8	+07.50 +002.8	+00.35 +000.4	+13.26 0190	-01.96	-00.02	+01.08	+02.89	+00.66
8	+00.01 +001.7	+07.50 +001.7	+00.65 +000.4	+14.20 0190	-02.43	+00.26	+00.96	+03.07	+00.76
9	+00.01 +001.3	+07.50 +001.6	+00.95 +000.3	+15.39 0191	-02.27	+00.13	+00.88	+02.44	+00.54
10	+00.01 +000.9	+07.50 +001.5	+01.25 +000.2	+15.54 0190	-02.00	-00.00	+00.89	+01.76	+00.37
11	+00.01 +000.9	+07.50 +001.6	+01.55 +000.2	+15.65 0192	-01.59	+00.02	+00.70	+01.69	+00.33
12	+00.01 +000.8	+07.50 +001.4	+01.85 +000.2	+15.85 0191	-01.72	+00.04	+00.68	+01.57	+00.33
13	+00.01 +000.8	+07.50 +002.5	+02.15 +000.2	+15.80 0192	-01.39	-00.11	+00.72	+01.49	+00.33
14	+00.01 +000.7	+07.50 +001.5	+02.45 +000.2	+16.21 0192	-01.89	-00.07	+00.73	+01.50	+00.30
15	+00.01 +000.7	+07.50 +001.5	+02.75 +000.1	+16.08 0188	-01.77	-00.07	+00.68	+01.41	+00.29
16	+00.01 +000.8	+07.50 +002.7	+03.75 +000.2	+16.21 0191	-01.67	-00.29	+00.66	+01.53	+00.34
17	+00.01 +000.9	+07.50 +005.3	+04.75 +000.2	+16.55 0191	-01.40	-00.54	+00.65	+01.82	+00.40
18	+00.01 +001.0	+07.50 +005.5	+05.75 +000.2	+16.73 0191	-01.69	-00.87	+00.71	+02.06	+00.46
19	+00.01 +001.1	+07.50 +008.6	+06.75 +000.2	+17.11 0191	-01.32	-01.21	+00.61	+02.31	+00.52

20 +00.01 +07.50 +07.75 +17.17 -01.30 -01.51 +00.62 +02.48 +00.57
+001.2 +008.9 +000.3 0190

FILE:DAT64

No.	Xcm DELxy	Ycm DELyz	Zcm DELzx	Um/s Navg	Vm/s	Wm/s	Su	Sv	Sw
1	-07.50 +005.4	+00.00 +058.9	+00.06 +001.1	+04.65 0192	+00.12	+00.01	+01.28	+03.13	+00.61
2	-07.50 +003.9	+00.00 +010.0	+00.16 +000.8	+06.62 0191	+00.39	-00.09	+01.44	+03.21	+00.67
3	-07.50 +004.2	+00.00 +225.9	+00.26 +000.9	+07.29 0192	-00.08	-00.07	+01.28	+03.80	+00.82
4	-07.50 +003.8	+00.00 +526.8	+00.36 +000.9	+08.01 0192	+00.03	+00.01	+01.32	+03.75	+00.85
5	-07.50 +004.2	+00.00 +022.9	+00.46 +000.9	+07.96 0191	+00.39	-00.18	+01.42	+04.08	+00.90
6	-07.50 +004.2	+00.00 +076.2	+00.56 +001.0	+08.14 0191	-00.18	-00.04	+01.19	+04.24	+00.97
7	-07.50 +004.2	+00.00 +055.0	+00.66 +001.0	+08.26 0192	+00.20	-00.11	+01.23	+04.25	+00.97
8	-07.50 +004.9	+00.00 +	+00.76 +001.1	+08.34 0195	-00.00	-00.03	+01.36	+05.08	+01.19
9	-07.50 +004.5	+00.00 +014.7	+00.86 +001.1	+09.02 0192	+00.64	-00.27	+01.25	+04.98	+01.17
10	-07.50 +004.4	+00.00 +033.5	+00.96 +001.0	+08.55 0189	+00.20	-00.06	+01.52	+04.64	+01.01
11	-07.50 +004.4	+00.00 +232.2	+01.16 +000.9	+08.75 0189	-00.00	-00.17	+01.22	+04.75	+01.01
12	-07.50 +004.0	+00.00 +042.0	+01.36 +000.9	+08.80 0189	+00.12	-00.02	+01.40	+04.23	+00.96
13	-07.50 +004.1	+00.00 +007.6	+01.56 +000.9	+09.21 0192	+00.74	-00.17	+01.37	+04.71	+01.00
14	-07.50 +004.3	+00.00 +026.1	+01.76 +000.9	+09.49 0193	+00.43	-00.20	+01.44	+05.10	+01.09
15	-07.50 +004.5	+00.00 +091.0	+02.26 +000.9	+09.46 0192	+00.19	-00.15	+01.41	+05.26	+01.03
16	-07.50 +003.9	+00.00 +029.1	+02.76 +000.9	+09.84 0191	-00.30	+00.00	+01.35	+04.72	+01.10
17	-07.50 +003.5	+00.00 +055.3	+03.26 +000.7	+09.96 0190	+00.21	-00.12	+01.42	+04.24	+00.91
18	-07.50 +002.8	+00.00 +167.3	+03.76 +000.7	+10.75 0189	+00.08	-00.08	+01.06	+03.74	+00.89
19	-07.50 +002.9	+00.00 +014.0	+04.26 +000.6	+10.97 0188	+00.35	-00.03	+00.79	+03.95	+00.78

20 -07.50 +00.00 +04.78 +11.30 -00.06 +00.11 +00.84 +02.86 +00.53
+002.0 +160.5 +000.4 0189

FILE:DAT65

No.	Xcm DELxy	Ycm DELyz	Zcm DELzx	Um/s Navg	Vm/s	Wm/s	Su	Sv	Sw
1	+07.50 +013.6	+00.00 +003.8	+00.04 +003.2	+01.32 0194	+00.77	-00.10	+00.96	+02.95	+00.52
2	+07.50 +014.6	+00.00 +390.7	+00.05 +002.6	+01.59 0194	+00.02	-00.04	+01.09	+02.90	+00.50
3	+07.50 +008.9	+00.00 +011.8	+00.06 +001.6	+02.82 0195	+00.42	-00.12	+01.48	+03.18	+00.55
4	+07.50 +008.6	+00.00 +008.5	+00.07 +001.5	+03.22 0192	+00.46	-00.09	+01.47	+03.53	+00.60
5	+07.50 +006.2	+00.00 +082.3	+00.08 +001.3	+04.50 0192	-00.09	-00.01	+01.22	+03.46	+00.71
6	+07.50 +005.2	+00.00 +008.0	+00.09 +001.2	+05.04 0194	+00.45	-00.09	+01.45	+03.28	+00.74
7	+07.50 +005.8	+00.00 +	+00.10 +001.2	+05.05 0195	+00.01	+00.03	+01.45	+03.69	+00.73
8	+07.50 +005.6	+00.00 +147.6	+00.11 +001.2	+05.51 0194	+00.09	-00.11	+01.44	+03.81	+00.83
9	+07.50 +006.1	+00.00 +005.0	+00.14 +001.1	+05.71 0192	+01.04	-00.22	+01.44	+04.39	+00.76
10	+07.50 +005.2	+00.00 +178.4	+00.16 +001.0	+06.05 0191	+00.07	-00.05	+01.20	+03.88	+00.74
11	+07.50 +005.5	+00.00 +031.7	+00.18 +001.1	+06.25 0192	-00.33	-00.05	+01.36	+04.23	+00.84
12	+07.50 +005.8	+00.00 +022.3	+00.23 +001.1	+06.71 0190	+00.40	-00.14	+01.27	+04.81	+00.91
13	+07.50 +005.5	+00.00 +003.9	+00.28 +000.8	+06.55 0353	+01.20	-00.21	+01.16	+03.95	+00.78
14	+07.50 +005.0	+00.00 +005.6	+00.33 +001.1	+06.58 0190	+01.05	-00.30	+01.47	+04.14	+00.86
15	+07.50 +005.1	+00.00 +012.1	+00.53 +001.0	+07.49 0191	+00.61	-00.18	+01.24	+04.76	+00.94
16	+07.50 +005.0	+00.00 +249.9	+00.63 +001.1	+07.70 0194	-00.03	-00.16	+01.36	+04.83	+01.04
17	+07.50 +005.4	+00.00 +021.3	+00.73 +001.2	+07.78 0193	+00.56	-00.28	+01.45	+05.17	+01.15
18	+07.50 +004.9	+00.00 +194.4	+00.83 +001.1	+08.13 0192	-00.12	-00.12	+01.38	+04.95	+01.10
19	+07.50 +005.2	+00.00 +236.6	+00.93 +001.1	+08.21 0193	+00.07	-00.12	+01.36	+05.34	+01.11

20	+07.50 +004.7	+00.00 +019.0	+01.03 +001.0	+08.49 0193	+00.54	-00.24	+01.37	+04.88	+01.08
21	+07.50 +004.1	+00.00 +007.3	+01.13 +000.9	+08.62 0192	+00.87	-00.27	+01.40	+04.35	+01.00
22	+07.50 +004.4	+00.00 +007.0	+01.23 +000.9	+08.59 0191	+00.99	-00.29	+01.32	+04.69	+00.97
23	+07.50 +004.5	+00.00 +006.5	+01.33 +000.9	+09.27 0193	+01.15	-00.32	+01.28	+05.30	+01.06
24	+07.50 +004.6	+00.00 +162.9	+01.43 +001.0	+09.14 0193	-00.14	-00.18	+01.20	+05.21	+01.17
25	+07.50 +004.2	+00.00 +006.3	+01.53 +000.8	+09.08 0190	+00.80	-00.14	+01.37	+04.70	+00.85
26	+07.50 +004.2	+00.00 +048.0	+01.63 +000.9	+09.32 0193	+00.29	-00.18	+01.24	+04.85	+01.04
27	+07.50 +004.1	+00.00 +008.1	+01.73 +000.8	+09.25 0192	+00.63	-00.08	+01.14	+04.68	+00.92
28	+07.50 +003.7	+00.00 +007.3	+01.93 +000.8	+09.47 0192	+00.75	-00.18	+01.24	+04.37	+00.92
29	+07.50 +003.9	+00.00 +195.5	+02.13 +000.8	+09.85 0192	-00.10	-00.05	+01.12	+04.76	+00.95
30	+07.50 +003.4	+00.00 +027.0	+02.33 +000.7	+10.08 0192	+00.30	-00.12	+01.04	+04.28	+00.89
31	+07.50 +004.1	+00.00 +177.6	+02.53 +000.8	+09.91 0193	+00.10	-00.09	+01.12	+05.00	+01.00
32	+07.50 +003.9	+00.00 +013.4	+02.73 +000.8	+09.91 0192	+00.48	-00.03	+01.09	+04.78	+01.01
33	+07.50 +003.3	+00.00 +005.5	+02.93 +000.6	+10.11 0192	+00.98	-00.23	+01.11	+04.22	+00.76
34	+07.50 +003.4	+00.00 +166.8	+03.13 +000.7	+10.47 0192	+00.07	-00.04	+00.97	+04.37	+00.88
35	+07.50 +003.9	+00.00 +009.7	+03.63 +000.8	+10.31 0193	+00.76	-00.22	+01.06	+04.96	+00.96
36	+07.50 +003.7	+00.00 +008.2	+04.13 +000.7	+10.97 0190	+00.66	-00.10	+00.84	+05.03	+00.97
37	+07.50 +002.9	+00.00 +024.2	+04.63 +000.6	+11.34 0191	+00.25	-00.08	+00.70	+04.06	+00.84

APPENDIX B

STREAMLINES

File: SLO

DATA FILE KEY

Xcm x-coordinate of data (streamwise) in cm
Ycm y-coordinate of data (lateral) in cm
Zcm z-coordinate of data (vertical along jet) in cm

Um/s mean streamwise velocity component in m/sec
Vm/s mean lateral velocity component in m/sec
Wm/s mean vertical velocity component in m/sec

Su standard deviation of distribution of U velocities in m/sec
Sv standard deviation of distribution of V velocities in m/sec
Sw standard deviation of distribution of W velocities in m/sec

DELxy error in direction of vector projected in x-y plane in degrees
DELyz error in direction of vector projected in y-z plane in degrees
DELzx error in direction of vector projected in z-x plane in degrees

Navg average number of samples acquired from the blue, green, and violet channels of the 3D-LDA

TABLE B-1.- SUMMARY OF STREAMLINES

Run no.	X cm	Y cm	Z cm		Run no.	X cm	Y cm	Z cm	
SL001	-5.0	2.0	0.1	} misc runs	SL040	-5.0	-9.0	10.0	} reverse runs
SL002	-5.0	2.0	.2		SL041	14.61	-3.03	13.29	
SL003	-5.0	2.0	.5		SL042	-5.0	-7.5	10.0	} z = 10 cm
SL004	-5.0	5.0	1.0		SL043	-5.0	-5.0	10.0	
SL005	-5.0	2.5	1.0		SL044	-5.0	-5.0	10.0	
SL006	-5.0	2.3	1.0		SL045	-5.0	-4.0	10.0	
SL007	-5.0	1.5	0.5	SL046	-5.0	4.0	10.0		
SL008	-5.0	2.1	.5	SL047	-5.0	5.0	10.0		
SL009	-5.0	2.5	.5	SL048	-5.0	6.25	10.0		
SL010	5.06	.08	.5	SL049	-5.0	7.5	10.0		
SL011	-5.0	2.7	.5						
SL012	1.58	3.51	.5						
SL013	-5.0	-7.0	2.0	} z = 2 cm					
SL014	2.8	-6.5	2.0						
SL015	-5.0	-3.0	2.0						
SL016	2.4	-2.7	2.0						
SL017	-5.0	-2.0	2.0						
SL018	2.0	-2.6	2.0						
SL019	-5.0	2.0	2.0						
SL020	-5.0	2.5	2.0						
SL021	-5.0	3.0	2.0						
SL022	-5.0	4.0	2.0						
SL023	-5.0	5.0	2.0						
SL024	-5.0	7.0	2.0						
SL025	0	0	5.0	jet center					
SL026	-5.0	-6.0	5.0	} z = 5 cm					
SL027	-5.0	-5.0	5.0						
SL028	-5.0	-4.0	5.0						
SL029	-5.0	-3.0	5.0						
SL030	-5.0	-3.0	5.0						
SL031	-5.0	-2.0	5.0						
SL032	-5.0	-1.5	5.0						
SL033	-5.0	-1.0	5.0						
SL034	-5.0	1.0	5.0						
SL035	-5.0	1.5	5.0						
SL036	-5.0	2.0	5.0						
SL037	-5.0	3.0	5.0						
SL038	-5.0	4.0	5.0						
SL039	-5.0	5.0	5.0						

^aBracket identifies runs which are continued.

FILE:SL001

No.	Xcm DELxy	Ycm DELyz	Zcm DELzx	Um/s Navg	Vm/s	Wm/s	Su	Sv	Sw
1	-04.99 +005.4	+02.00 +004.6	+00.10 +001.3	+07.81 0048	+01.88	-00.07	+01.30	+02.75	+00.61
2	-04.70 +004.3	+02.07 +002.5	+00.10 +001.1	+08.55 0048	+02.95	-00.20	+01.34	+02.48	+00.58
3	-04.43 +003.9	+02.18 +003.8	+00.09 +001.1	+08.63 0047	+02.28	-00.06	+01.24	+02.16	+00.57
4	-04.15 +004.4	+02.28 +002.3	+00.09 +001.0	+08.23 0048	+03.03	-00.15	+01.22	+02.47	+00.52
5	-03.87 +004.8	+02.39 +002.2	+00.08 +001.3	+08.63 0049	+03.85	-00.27	+01.18	+03.03	+00.69
6	-03.60 +004.1	+02.52 +001.7	+00.08 +001.0	+09.12 0047	+04.44	-00.26	+01.31	+02.74	+00.57
7	-03.18 +003.5	+02.77 +001.4	+00.07 +000.9	+09.54 0047	+05.26	-00.23	+01.32	+02.53	+00.54
8	-02.80 +003.4	+03.01 +001.7	+00.06 +000.8	+10.60 0048	+04.94	-00.10	+01.54	+02.58	+00.55
9	-02.49 +003.2	+03.17 +002.1	+00.05 +000.7	+11.60 0048	+04.60	+00.15	+01.70	+02.54	+00.53
10	-02.20 +003.5	+03.30 +001.9	+00.05 +000.7	+13.28 0048	+04.92	-00.05	+01.44	+03.23	+00.60
11	-01.58 +003.0	+03.55 +004.0	+00.06 +000.7	+14.84 0047	+03.07	+00.16	+01.06	+02.90	+00.63
12	-01.12 +002.6	+03.64 +003.2	+00.07 +000.5	+16.45 0047	+03.14	+00.08	+01.12	+02.65	+00.55
13	-00.71 +003.0	+03.71 +009.5	+00.07 +000.6	+16.67 0047	+00.99	-00.03	+01.17	+03.06	+00.64
14	-00.38 +003.2	+03.72 +006.9	+00.07 +000.6	+17.44 0049	-01.34	+00.35	+01.47	+03.49	+00.70
15	+00.07 +002.9	+03.68 +003.2	+00.07 +000.5	+18.54 0048	-02.20	+00.38	+01.63	+03.35	+00.56
16	+00.49 +002.8	+03.60 +002.0	+00.08 +000.6	+18.00 0048	-03.54	+00.39	+02.10	+03.22	+00.64
17	+00.91 +004.0	+03.51 +001.4	+00.09 +000.7	+16.43 0048	-06.19	+00.47	+02.02	+04.58	+00.71
18	+01.24 +004.5	+03.39 +001.8	+00.09 +001.1	+14.04 0047	-06.40	+00.41	+02.09	+04.62	+00.90
19	+01.65 +004.7	+03.18 +001.6	+00.11 +001.6	+11.54 0046	-09.07	+00.61	+02.49	+05.03	+01.10
20	+01.99 +006.7	+02.89 +001.9	+00.12 +002.0	+11.18 0047	-08.60	+00.96	+03.38	+06.76	+01.40

21	+02.28 +009.5	+02.61 +002.7	+00.15 +003.4	+10.06 0047	-08.81	+00.90	+03.01	+10.26	+02.08
22	+02.54 +009.7	+02.37 +002.7	+00.18 +004.0	+05.97 0135	-05.65	+00.79	+03.89	+10.36	+02.16
23	+02.80 +009.5	+02.10 +004.1	+00.21 +008.4	+01.63 0443	-03.08	+01.39	+04.70	+09.00	+02.08

FILE:SL002

No.	Xcm DELxy	Ycm DELyz	Zcm DELzx	Um/s Navg	Vm/s	Wm/s	Su	Sv	Sw
1	-05.00 +005.3	+02.00 +002.4	+00.20 +001.3	+08.98 0048	+03.20	-00.41	+01.18	+03.29	+00.73
2	-04.71 +005.4	+02.10 +003.3	+00.19 +001.4	+08.90 0048	+02.74	-00.24	+01.32	+03.22	+00.77
3	-04.44 +004.9	+02.20 +002.7	+00.19 +001.2	+09.19 0048	+03.15	-00.24	+01.45	+03.14	+00.67
4	-04.16 +004.5	+02.30 +002.6	+00.19 +001.1	+09.29 0047	+03.25	-00.17	+01.16	+02.86	+00.62
5	-03.88 +004.8	+02.41 +002.9	+00.19 +001.1	+09.53 0048	+03.34	-00.08	+01.09	+03.12	+00.66
6	-03.61 +005.4	+02.53 +003.7	+00.19 +001.4	+10.17 0048	+03.25	-00.17	+01.16	+03.67	+00.90
7	-03.12 +003.8	+02.72 +001.9	+00.17 +001.0	+11.98 0047	+05.35	-00.34	+01.11	+03.36	+00.76
8	-02.84 +003.5	+02.84 +002.0	+00.17 +001.1	+12.10 0047	+05.91	-00.29	+01.21	+03.10	+00.86
9	-02.51 +003.5	+03.03 +001.6	+00.16 +000.9	+12.88 0048	+06.04	-00.39	+01.09	+03.39	+00.73
10	-02.06 +002.6	+03.27 +001.7	+00.15 +000.8	+14.29 0047	+05.53	-00.29	+01.06	+02.58	+00.69
11	-01.61 +003.0	+03.46 +002.0	+00.14 +000.7	+16.05 0047	+04.67	-00.20	+01.69	+03.13	+00.68
12	-01.30 +003.0	+03.57 +002.9	+00.14 +000.8	+16.81 0048	+03.76	-00.16	+01.38	+03.30	+00.79
13	-00.77 +003.2	+03.70 +003.6	+00.13 +000.7	+17.94 0047	+03.21	-00.14	+01.41	+03.64	+00.82
14	-00.33 +003.5	+03.77 +008.6	+00.13 +000.8	+17.84 0049	+01.67	+00.02	+01.86	+03.84	+00.86
15	+00.11 +003.5	+03.78 +005.3	+00.13 +000.7	+18.97 0048	-01.71	+00.34	+01.98	+04.07	+00.87
16	+00.51 +003.5	+03.74 +005.0	+00.14 +000.7	+17.91 0047	-01.70	+00.28	+01.38	+03.86	+00.80
17	+00.96 +003.1	+03.70 +002.2	+00.14 +000.8	+16.12 0047	-03.96	+00.44	+01.72	+03.26	+00.80
18	+01.38 +003.3	+03.58 +001.3	+00.15 +000.9	+16.56 0047	-07.02	+01.07	+01.91	+03.93	+00.94
19	+01.78 +004.3	+03.39 +001.7	+00.18 +001.0	+15.37 0047	-05.53	+00.78	+01.98	+04.48	+00.89
20	+02.18 +004.4	+03.24 +001.4	+00.19 +001.2	+13.05 0046	-07.18	+00.98	+02.20	+04.35	+00.97

21	+02.53 +006.8	+03.02 +001.9	+00.22 +001.9	+11.66 0046	-08.30	+01.54	+02.28	+07.10	+01.31
22	+02.83 +008.4	+02.80 +002.8	+00.26 +002.4	+10.03 0084	-05.38	+01.12	+02.18	+08.05	+01.65
23	+03.22 +009.6	+02.57 +005.6	+00.31 +002.4	+08.04 0127	-03.66	+01.33	+02.39	+08.59	+01.67

FILE:SL003

No.	Xcm DELxy	Ycm DELyz	Zcm DELzx	Um/s Navg	Vm/s	Wm/s	Su	Sv	Sw
1	-04.99 +005.3	+02.00 +003.2	+00.50 +001.4	+08.20 0094	+02.12	-00.30	+03.05	+03.93	+00.95
2	-04.70 +003.9	+02.07 +003.0	+00.49 +001.1	+09.97 0095	+01.91	-00.35	+01.23	+03.50	+00.97
3	-04.42 +005.4	+02.14 +004.9	+00.48 +001.2	+09.92 0047	+02.00	-00.13	+01.22	+03.43	+00.75
4	-04.13 +005.0	+02.20 +002.1	+00.48 +001.5	+10.13 0048	+03.61	-00.78	+00.98	+03.49	+00.93
5	-03.85 +005.3	+02.30 +004.0	+00.46 +001.3	+10.21 0049	+02.56	-00.18	+01.15	+03.51	+00.83
6	-03.57 +003.9	+02.39 +002.1	+00.45 +001.1	+10.92 0048	+03.88	-00.46	+01.27	+02.92	+00.75
7	-03.15 +003.6	+02.58 +001.5	+00.43 +000.9	+11.23 0048	+04.70	-00.53	+01.53	+02.88	+00.65
8	-02.80 +003.4	+02.74 +001.7	+00.41 +001.1	+12.70 0047	+05.35	-00.57	+00.82	+03.11	+00.83
9	-02.45 +003.5	+02.91 +001.6	+00.40 +000.9	+13.99 0047	+05.33	-00.75	+01.37	+03.39	+00.80
10	-01.99 +003.3	+03.11 +001.7	+00.38 +000.8	+15.32 0047	+05.31	-00.56	+01.22	+03.43	+00.78
11	-01.70 +004.1	+03.23 +002.6	+00.37 +001.0	+16.69 0048	+04.66	-00.40	+01.20	+04.52	+01.01
12	-01.13 +003.4	+03.39 +003.5	+00.36 +000.8	+18.92 0048	+02.61	-00.41	+01.45	+04.00	+00.94
13	-00.64 +003.0	+03.47 +005.1	+00.35 +000.6	+20.49 0047	+02.07	-00.54	+01.15	+03.84	+00.78
14	-00.19 +003.1	+03.50 +007.2	+00.35 +000.7	+21.07 0048	-01.71	+00.09	+01.92	+04.08	+00.91
15	+00.15 +002.9	+03.46 +003.3	+00.35 +000.7	+21.93 0048	-03.08	+00.40	+02.52	+03.90	+00.97
16	+00.59 +003.7	+03.39 +002.4	+00.36 +000.8	+20.81 0049	-05.00	+00.56	+02.22	+05.08	+01.10
17	+01.00 +003.5	+03.26 +001.8	+00.37 +000.8	+20.18 0048	-06.53	+00.66	+01.94	+04.69	+01.05
18	+01.39 +003.9	+03.11 +001.4	+00.38 +001.0	+18.67 0048	-08.36	+01.36	+02.18	+05.36	+01.14
19	+01.72 +004.8	+02.96 +001.7	+00.41 +001.1	+15.84 0048	-08.85	+01.97	+02.21	+06.02	+01.06
20	+02.08 +006.9	+02.76 +004.2	+00.45 +001.6	+14.20 0048	-06.79	+02.59	+01.83	+07.35	+01.45

21	+02.48	+02.56	+00.53	+13.05	-06.76	+03.22	+01.59	+09.55	+01.73
	+009.4	+007.1	+002.1	0047					
22	+02.83	+02.38	+00.63	+11.34	-07.25	+03.62	+02.24	+09.95	+01.99
	+010.1	+006.9	+002.8	0047					

FILE:SL004

No.	Xcm DELxy	Ycm DELyz	Zcm DELzx	Um/s Navg	Vm/s	Wm/s	Su	Sv	Sw
1	-05.00 +003.8	+05.00 +004.8	+01.01 +000.9	+12.22 0096	+01.42	-00.31	+01.17	+04.20	+00.95
2	-04.50 +003.9	+05.06 +007.8	+00.99 +000.9	+12.78 0096	+01.22	-00.40	+00.89	+04.39	+00.97
3	-04.00 +003.2	+05.10 +199.9	+00.98 +000.6	+13.79 0095	+00.07	-00.19	+01.03	+03.85	+00.76
4	-03.51 +002.9	+05.12 +014.0	+00.98 +000.6	+14.06 0095	+00.60	-00.21	+00.95	+03.55	+00.79
5	-03.01 +003.3	+05.17 +009.6	+00.97 +000.8	+14.60 0096	+00.75	-00.21	+00.90	+04.15	+01.00
6	-02.52 +003.7	+05.20 +188.4	+00.97 +000.9	+15.14 0096	+00.11	-00.09	+01.13	+04.87	+01.21
7	-01.69 +003.2	+05.18 +091.8	+00.97 +000.7	+16.09 0095	-00.33	-00.21	+00.99	+04.45	+01.04
8	-01.09 +003.6	+05.19 +248.6	+00.97 +000.7	+15.80 0095	+00.01	-00.23	+01.13	+04.88	+01.04
9	-00.25 +003.0	+05.19 +005.1	+00.96 +000.6	+16.87 0095	-01.70	+00.10	+01.07	+04.40	+00.94
10	+00.53 +003.1	+05.12 +003.5	+00.96 +000.7	+16.56 0096	-02.33	+00.27	+01.43	+04.50	+01.06
11	+01.35 +002.6	+04.98 +001.4	+00.98 +000.6	+16.14 0096	-04.41	+00.86	+01.36	+03.89	+00.91
12	+02.13 +002.7	+04.75 +001.1	+01.02 +000.6	+15.04 0095	-06.49	+01.53	+01.09	+04.12	+00.84
13	+02.82 +003.4	+04.42 +001.7	+01.09 +000.8	+13.48 0095	-06.15	+01.78	+01.40	+04.80	+00.93
14	+03.47 +004.1	+04.09 +002.0	+01.18 +001.1	+12.12 0095	-06.83	+02.36	+01.42	+05.67	+01.23
15	+04.07 +004.6	+03.69 +002.8	+01.30 +001.2	+11.39 0096	-06.51	+02.84	+01.59	+06.07	+01.25
16	+04.62 +005.2	+03.34 +003.1	+01.44 +001.7	+10.34 0096	-06.76	+03.47	+01.74	+06.63	+01.63
17	+05.14 +006.3	+02.98 +004.4	+01.63 +001.7	+09.47 0095	-06.08	+03.30	+01.62	+07.27	+01.51
18	+05.83 +008.4	+02.44 +005.8	+01.90 +002.4	+08.31 0095	-04.82	+02.63	+01.71	+08.00	+01.87
19	+06.53 +008.7	+01.92 +004.1	+02.17 +002.8	+08.32 0094	-05.32	+02.10	+01.95	+08.70	+02.03
20	+07.09 +008.6	+01.48 +005.1	+02.32 +002.5	+07.44 0179	-03.14	+01.29	+01.85	+08.53	+02.27

21	+07.63 +008.9	+01.24 +003.6	+02.41 +002.8	+07.52 0174	-02.89	+00.90	+01.95	+07.72	+02.08
22	+08.14 +008.4	+01.00 +086.3	+02.44 +001.8	+06.66 0252	-00.33	-00.13	+01.47	+07.03	+01.60
23	+08.81 +009.6	+00.97 +007.0	+02.35 +002.5	+07.11 0175	-01.98	+00.15	+01.57	+07.91	+01.89
24	+09.43 +009.0	+00.87 +007.8	+02.25 +002.8	+06.90 0171	-03.11	-00.27	+01.85	+07.25	+01.97
25	+10.00 +009.4	+00.70 +015.6	+02.15 +002.3	+06.21 0254	-01.89	-00.61	+01.83	+08.06	+01.92

FILE:SL005

No.	Xcm DELxy	Ycm DELYz	Zcm DELzx	Um/s Navg	Vm/s	Wm/s	Su	Sv	Sw
1	-05.00 +003.1	+02.52 +002.7	+01.00 +000.6	+11.28 0195	+02.25	-00.56	+01.10	+04.50	+00.83
2	-04.51 +002.8	+02.61 +002.4	+00.98 +000.7	+11.59 0193	+02.24	-00.62	+00.98	+04.16	+00.95
3	-04.02 +002.3	+02.73 +001.9	+00.96 +000.5	+12.27 0193	+02.40	-00.60	+00.95	+03.62	+00.76
4	-03.54 +002.3	+02.84 +001.7	+00.94 +000.5	+13.29 0192	+02.71	-00.69	+00.88	+03.88	+00.90
5	-03.05 +002.1	+02.96 +001.3	+00.91 +000.5	+13.70 0194	+03.26	-00.70	+01.15	+03.73	+00.79
6	-02.57 +002.2	+03.10 +001.5	+00.89 +000.5	+14.71 0190	+03.52	-00.96	+01.20	+04.21	+00.97
7	-01.61 +001.8	+03.31 +001.6	+00.83 +000.4	+18.00 0194	+03.36	-00.84	+01.15	+04.29	+00.90
8	-01.07 +002.0	+03.43 +004.8	+00.81 +000.4	+19.64 0191	+01.79	-00.66	+01.26	+04.87	+01.07
9	-00.16 +001.9	+03.52 +005.0	+00.78 +000.4	+21.62 0196	-01.96	-00.10	+01.62	+05.19	+00.99
10	+00.68 +001.9	+03.43 +001.0	+00.78 +000.4	+20.12 0192	-06.04	+00.78	+01.70	+05.23	+01.07
11	+01.39 +002.3	+03.18 +001.1	+00.82 +000.6	+18.30 0192	-07.86	+02.07	+01.75	+06.31	+01.29
12	+02.02 +002.8	+02.85 +001.3	+00.90 +000.8	+15.02 0192	-09.95	+03.63	+01.89	+07.29	+01.50
13	+02.56 +003.5	+02.42 +002.0	+01.03 +001.1	+12.34 0191	-10.21	+04.75	+01.87	+08.79	+01.72
14	+03.05 +005.8	+01.93 +004.6	+01.22 +001.5	+09.85 0192	-07.11	+05.11	+01.83	+10.62	+02.20
15	+03.54 +007.3	+01.51 +005.4	+01.47 +002.1	+08.32 0189	-07.23	+05.00	+02.41	+12.77	+02.59
16	+04.04 +005.0	+00.98 +002.5	+01.83 +003.6	+05.76 0187	-10.65	+04.10	+02.72	+14.63	+03.36
17	+04.35 +008.3	+00.47 +004.4	+02.06 +003.8	+04.15 0347	-05.08	+02.25	+02.37	+12.98	+02.75
18	+04.66 +009.8	+00.08 +011.7	+02.24 +002.1	+04.04 1221	-01.73	+01.53	+01.91	+14.53	+02.75
19	+05.13 +009.4	-00.15 +033.2	+02.47 +001.7	+05.05 1052	+00.27	+01.47	+01.73	+14.15	+02.47
20	+05.71 +008.7	-00.05 +017.3	+02.59 +001.6	+05.81 0689	-01.43	+01.57	+01.67	+12.29	+02.19

21	+06.39 +008.7	-00.01 +028.8	+02.64 +001.7	+06.29 0524	-00.86	+01.07	+01.51	+11.00	+02.03
22	+06.99 +008.0	+00.12 +051.9	+02.64 +001.6	+06.25 0510	-00.41	+00.63	+01.56	+09.46	+01.76
23	+07.50 +009.0	+00.14 +018.4	+02.64 +002.0	+06.42 0348	-01.14	+00.74	+01.67	+09.03	+01.84
24	+07.99 +008.5	+00.06 +007.6	+02.67 +001.9	+06.86 0348	-01.82	+00.69	+01.72	+09.06	+01.98
25	+08.57 +008.9	-00.14 +088.1	+02.69 +001.7	+06.85 0345	+00.26	+00.06	+01.56	+09.68	+01.74
26	+09.08 +009.6	-00.22 +086.1	+02.69 +002.0	+06.45 0358	+00.40	+00.22	+01.48	+10.17	+01.91

FILE:SL006

No.	Xcm DELxy	Ycm DELYz	Zcm DELzx	Um/s Navg	Vm/s	Wm/s	Su	Sv	Sw
1	-05.00 +002.7	+02.32 +008.1	+01.01 +000.6	+11.55 0191	+01.07	-00.52	+00.79	+03.84	+00.88
2	-04.50 +002.2	+02.36 +001.6	+00.98 +000.5	+12.26 0188	+02.57	-00.60	+00.68	+03.51	+00.82
3	-04.02 +002.3	+02.48 +001.4	+00.96 +000.6	+11.90 0191	+02.91	-00.63	+00.97	+03.49	+00.81
4	-03.54 +002.6	+02.61 +001.2	+00.94 +000.7	+12.42 0192	+04.19	-00.91	+01.09	+04.30	+01.01
5	-03.07 +002.3	+02.76 +001.0	+00.91 +000.6	+13.57 0192	+04.82	-00.99	+00.91	+04.32	+00.98
6	-02.61 +001.7	+02.94 +000.8	+00.88 +000.5	+15.72 0194	+04.79	-01.01	+00.96	+03.64	+00.88
7	-01.68 +001.8	+03.26 +001.0	+00.82 +000.4	+18.51 0194	+04.68	-00.95	+01.21	+04.32	+01.02
8	-00.87 +001.8	+03.52 +004.2	+00.77 +000.4	+20.76 0191	+01.95	-00.73	+01.47	+04.56	+00.98
9	-00.31 +001.9	+03.58 +007.5	+00.75 +000.4	+21.40 0190	-01.59	-00.16	+01.44	+05.01	+01.08
10	+00.49 +001.9	+03.50 +001.1	+00.75 +000.4	+20.63 0190	-04.90	+00.70	+01.72	+04.99	+01.05
11	+01.17 +002.2	+03.28 +001.0	+00.79 +000.5	+19.38 0193	-07.87	+01.90	+02.20	+06.02	+01.16
12	+01.78 +003.1	+02.97 +002.1	+00.85 +000.7	+16.73 0193	-07.76	+03.34	+02.12	+07.70	+01.55
13	+02.34 +003.9	+02.65 +003.2	+00.97 +001.0	+13.71 0190	-07.49	+04.85	+01.76	+08.39	+01.89
14	+02.88 +004.9	+02.30 +004.2	+01.16 +001.2	+11.47 0191	-07.05	+05.10	+01.99	+09.45	+01.91
15	+03.43 +005.0	+01.93 +003.6	+01.44 +001.6	+09.94 0190	-08.23	+05.65	+02.15	+10.09	+02.25
16	+03.95 +004.4	+01.49 +002.4	+01.79 +002.2	+08.56 0188	-11.23	+05.42	+02.54	+12.17	+02.88
17	+04.38 +007.6	+00.99 +004.3	+02.08 +003.8	+06.31 0188	-08.55	+04.25	+02.62	+16.34	+03.87
18	+04.65 +009.3	+00.57 +008.5	+02.29 +002.3	+04.32 0677	-03.17	+03.13	+02.47	+12.67	+02.54
19	+05.12 +009.2	+00.15 +012.4	+02.65 +001.5	+04.70 1180	-00.75	+03.32	+02.00	+13.15	+02.29
20	+05.55 +009.2	-00.01 +013.2	+02.98 +001.7	+05.14 0686	+01.98	+03.44	+01.97	+12.02	+02.25

21	+06.18	+00.27	+03.47	+06.06	-00.47	+03.92	+01.76	+10.71	+01.83
	+009.2	+014.1	+001.5	0516					
22	+06.75	+00.44	+03.87	+06.24	-01.94	+04.11	+01.83	+08.88	+01.79
	+008.7	+010.9	+001.7	0347					

 FILE: SLO07

No.	Xcm DELxy	Ycm DELyz	Zcm DELzx	Um/s Navg	Vm/s	Wm/s	Su	Sv	Sw
1	-05.00 +002.7	+01.51 +002.9	+00.50 +000.6	+09.57 0287	+01.27	-00.25	+01.33	+04.02	+00.92
2	-04.50 +002.7	+01.58 +002.0	+00.49 +000.6	+09.78 0291	+02.03	-00.41	+01.23	+04.25	+00.82
3	-04.02 +002.5	+01.70 +001.3	+00.47 +000.6	+09.79 0285	+02.95	-00.58	+01.40	+04.03	+00.94
4	-03.54 +002.3	+01.86 +000.9	+00.45 +000.5	+10.49 0294	+04.07	-00.68	+01.31	+04.20	+00.84
5	-03.08 +002.1	+02.04 +000.9	+00.42 +000.5	+11.17 0288	+04.38	-00.79	+01.44	+04.11	+00.92
6	-02.62 +002.1	+02.24 +000.7	+00.39 +000.5	+12.76 0291	+06.04	-01.03	+01.40	+04.93	+00.99
7	-02.02 +001.6	+02.58 +000.6	+00.35 +000.4	+16.50 0287	+06.85	-01.23	+01.28	+04.50	+01.10
8	-01.41 +001.5	+02.89 +000.7	+00.30 +000.4	+19.36 0289	+06.26	-01.36	+01.52	+04.85	+01.11
9	-00.91 +001.5	+03.06 +001.2	+00.27 +000.3	+21.57 0292	+04.41	-00.99	+01.71	+05.27	+01.08
10	-00.41 +001.4	+03.16 +026.5	+00.25 +000.3	+22.05 0287	+00.50	-00.63	+01.93	+04.67	+01.04
11	+00.27 +001.6	+03.16 +001.8	+00.24 +000.3	+23.16 0290	-03.95	-00.01	+02.09	+05.91	+01.08
12	+00.90 +001.7	+03.02 +000.7	+00.25 +000.4	+21.26 0287	-08.08	+00.89	+02.36	+06.13	+01.19
13	+01.49 +002.4	+02.75 +000.8	+00.28 +000.7	+16.71 0286	-09.48	+01.76	+02.51	+07.87	+01.65
14	+02.01 +003.9	+02.41 +001.8	+00.33 +001.0	+13.63 0285	-08.80	+03.02	+02.68	+11.24	+02.19
15	+02.51 +006.4	+02.04 +004.8	+00.45 +001.6	+09.99 0288	-06.23	+03.39	+03.19	+13.35	+02.39
16	+02.97 +005.3	+01.71 +002.9	+00.61 +002.8	+06.39 0286	-08.80	+03.94	+04.20	+13.82	+02.74
17	+03.44 +004.0	+01.22 +003.5	+00.88 +006.0	+02.17 0288	-09.63	+04.08	+04.39	+19.07	+03.74
18	+03.59 +002.1	+00.68 +001.7	+01.17 +009.2	-00.32 0292	-12.33	+02.73	+03.84	+21.31	+04.54
19	+03.56 +003.5	+00.34 +001.8	+01.25 +007.9	-02.72 0291	-11.19	+02.30	+03.50	+21.42	+04.62
20	+03.43 +008.0	-00.06 +004.1	+01.33 +008.1	-02.86 0290	-07.08	+02.13	+03.09	+23.52	+04.81

21	+03.23 +021.3	-00.41 +019.5	+01.42 +005.6	-02.75 0290	-03.65	+03.84	+03.69	+24.18	+04.45
22	+02.88 +031.4	-00.72 +015.8	+01.25 +002.5	-03.11 0537	-00.49	+06.19	+03.31	+18.70	+03.49
23	+02.75 +041.4	-00.75 +018.3	+01.39 +002.9	-03.19 0288	-01.43	+08.19	+03.65	+23.97	+04.44

FILE:SL008

No.	Xcm DELxy	Ycm DELyz	Zcm DELzx	Um/s Navg	Vm/s	Wm/s	Su	Sv	Sw
1	-04.99 +002.6	+02.11 +002.4	+00.50 +000.6	+10.53 0287	+01.66	-00.24	+01.38	+04.27	+00.93
2	-04.50 +002.5	+02.19 +001.7	+00.49 +000.6	+10.99 0288	+02.27	-00.41	+01.24	+04.28	+01.00
3	-04.02 +002.3	+02.30 +001.3	+00.48 +000.6	+10.95 0285	+03.31	-00.46	+01.27	+04.12	+01.02
4	-03.55 +002.3	+02.46 +001.2	+00.46 +000.6	+11.66 0289	+03.56	-00.49	+01.38	+04.41	+01.02
5	-03.07 +001.9	+02.61 +000.9	+00.44 +000.6	+12.83 0288	+05.41	-00.66	+01.25	+04.39	+01.07
6	-02.62 +001.8	+02.80 +000.8	+00.42 +000.4	+14.49 0291	+05.56	-00.64	+01.28	+04.51	+00.98
7	-01.95 +001.5	+03.09 +000.7	+00.39 +000.4	+17.09 0287	+05.88	-00.80	+01.51	+04.18	+00.94
8	-01.44 +001.6	+03.29 +000.9	+00.37 +000.4	+19.56 0286	+05.30	-00.85	+01.61	+04.90	+01.12
9	-00.92 +001.4	+03.45 +002.3	+00.34 +000.3	+21.33 0285	+01.85	-00.33	+01.64	+04.69	+01.03
10	-00.16 +001.4	+03.49 +008.1	+00.33 +000.3	+22.98 0288	-01.33	-00.16	+01.94	+04.95	+01.13
11	+00.50 +001.5	+03.42 +001.0	+00.34 +000.3	+22.30 0284	-05.41	+00.51	+01.96	+05.27	+01.11
12	+01.13 +002.0	+03.24 +000.8	+00.36 +000.4	+20.44 0286	-06.45	+00.93	+02.35	+06.56	+01.12
13	+01.73 +002.1	+03.00 +000.7	+00.40 +000.6	+14.84 0286	-08.60	+01.92	+01.93	+06.24	+01.32
14	+02.25 +003.1	+02.65 +001.6	+00.47 +000.9	+13.82 0286	-08.11	+03.16	+02.21	+08.62	+01.83
15	+02.77 +004.4	+02.30 +003.1	+00.59 +001.2	+11.72 0288	-07.48	+03.89	+02.57	+11.03	+02.16
16	+03.25 +004.6	+01.97 +002.7	+00.75 +001.6	+09.40 0282	-08.92	+04.54	+02.94	+11.90	+02.44
17	+03.77 +003.8	+01.51 +002.1	+01.04 +002.7	+06.45 0286	-12.96	+04.72	+03.50	+17.35	+03.11
18	+04.14 +003.0	+00.97 +001.6	+01.29 +005.9	+02.95 0285	-11.89	+03.07	+03.90	+17.58	+03.68
19	+04.37 +004.4	+00.27 +002.5	+01.52 +011.7	+01.46 0287	-07.26	+01.41	+03.33	+19.47	+03.88
20	+04.43 +013.6	-00.16 +011.2	+01.60 +006.9	+01.12 1386	-02.01	+01.18	+03.52	+20.66	+03.67

21	+04.60 +018.5	-00.52 +022.3	+01.79 +002.6	+02.81 1631	+00.52	+02.42	+03.14	+19.33	+03.31
22	+04.84 +019.0	-00.36 +028.6	+02.03 +003.1	+04.06 0548	-00.74	+02.44	+02.54	+16.57	+03.09
23	+05.25 +015.5	-00.38 +029.7	+02.29 +002.6	+04.71 0533	+01.04	+02.30	+02.08	+15.39	+02.61
24	+05.64 +018.4	-00.11 +035.4	+02.47 +003.1	+05.46 0287	-01.02	+02.39	+02.59	+15.85	+02.81
25	+05.92 +015.7	-00.09 +034.3	+02.59 +003.0	+05.65 0282	-00.94	+02.07	+02.21	+13.73	+02.72
26	+06.21 +014.8	-00.13 +036.6	+02.67 +002.7	+05.55 0285	-00.56	+02.06	+02.15	+12.59	+02.43
27	+06.81 +013.2	-00.21 +041.5	+02.85 +002.5	+06.46 0285	+00.51	+02.02	+02.26	+12.94	+02.58
28	+07.38 +011.6	-00.28 +039.1	+02.99 +001.9	+06.53 0285	+00.56	+01.88	+02.17	+11.60	+01.93
29	+07.87 +012.0	-00.25 +035.3	+03.12 +002.2	+06.65 0288	-00.51	+02.08	+02.44	+12.17	+02.33
30	+08.41 +010.6	-00.28 +039.4	+03.28 +002.0	+06.82 0287	-00.15	+01.83	+02.43	+10.99	+02.13
31	+08.92 +009.6	-00.28 +038.7	+03.41 +001.9	+07.20 0284	+00.80	+01.55	+02.08	+10.56	+02.11
32	+09.50 +010.4	-00.20 +031.5	+03.54 +002.1	+06.75 0284	-00.72	+01.82	+02.13	+10.62	+02.25
33	+10.26 +009.2	-00.25 +037.6	+03.72 +001.8	+07.36 0285	+00.95	+01.38	+01.99	+10.37	+02.07

FILE:SL009

No.	Xcm DELx _y	Ycm DELy _z	Zcm DELz _x	Um/s Navg	Vm/s	Wm/s	Su	Sv	Sw
1	-05.00 +002.3	+02.52 +001.8	+00.50 +000.5	+10.30 0293	+01.89	-00.31	+00.98	+03.82	+00.80
2	-04.51 +002.1	+02.61 +001.4	+00.49 +000.5	+10.53 0290	+02.23	-00.29	+00.96	+03.51	+00.75
3	-04.03 +002.1	+02.71 +001.4	+00.48 +000.5	+10.88 0290	+02.73	-00.27	+01.14	+03.66	+00.85
4	-03.55 +002.4	+02.84 +001.0	+00.47 +000.5	+11.62 0290	+03.90	-00.37	+01.12	+04.66	+00.79
5	-03.08 +001.9	+03.02 +000.8	+00.46 +000.4	+12.72 0287	+04.47	-00.53	+00.93	+03.99	+00.85
6	-02.61 +001.6	+03.20 +000.9	+00.45 +000.4	+14.00 0292	+04.69	-00.40	+01.12	+03.83	+00.82
7	-01.93 +001.5	+03.47 +001.1	+00.43 +000.3	+16.03 0288	+03.68	-00.33	+01.06	+03.75	+00.81
8	-01.38 +001.5	+03.61 +001.5	+00.42 +000.3	+17.75 0289	+02.58	-00.28	+01.13	+04.26	+00.87
9	-00.54 +001.4	+03.73 +019.4	+00.42 +000.3	+19.01 0287	-00.26	+00.08	+01.45	+03.91	+00.80
10	+00.16 +001.4	+03.70 +001.2	+00.43 +000.3	+19.29 0287	-03.03	+00.47	+01.54	+04.17	+00.86
11	+00.81 +001.6	+03.56 +000.8	+00.44 +000.3	+18.08 0292	-04.88	+00.83	+01.65	+04.64	+00.92
12	+01.44 +001.8	+03.35 +000.8	+00.47 +000.4	+16.09 0290	-05.88	+01.32	+01.83	+04.91	+00.87
13	+02.04 +002.6	+03.09 +001.7	+00.52 +000.5	+13.23 0286	-05.36	+02.03	+01.61	+06.00	+01.21
14	+02.58 +003.1	+02.84 +002.0	+00.61 +000.7	+11.21 0285	-06.41	+02.78	+01.94	+06.89	+01.25
15	+03.08 +003.8	+02.52 +002.5	+00.74 +001.0	+09.99 0284	-06.56	+03.32	+02.25	+07.97	+01.54
16	+03.69 +005.0	+02.14 +003.1	+00.97 +001.7	+07.75 0283	-06.95	+03.68	+02.57	+10.30	+02.04
17	+04.28 +003.4	+01.66 +001.7	+01.29 +002.6	+05.94 0282	-11.40	+04.05	+03.03	+13.24	+02.75
18	+04.67 +004.0	+01.17 +001.5	+01.51 +004.8	+04.53 0290	-10.77	+02.56	+03.18	+16.88	+03.95
19	+04.77 +004.1	+00.89 +001.5	+01.58 +006.1	+03.83 0289	-09.80	+01.84	+03.19	+16.26	+04.10
20	+04.91 +008.5	+00.46 +003.5	+01.64 +008.2	+02.74 0288	-05.25	+00.32	+02.94	+15.69	+03.44

21	+05.06 +014.5	+00.08 +026.8	+01.63 +003.3	+03.20 1061	-01.14	-00.80	+02.22	+15.04	+02.91
22	+05.41 +017.8	-00.44 +089.5	+01.51 +003.5	+03.31 1104	+00.13	-00.63	+02.30	+17.74	+03.50
23	+06.15 +019.5	-00.57 +056.8	+01.27 +003.8	+02.80 1396	+00.11	-00.95	+02.63	+18.14	+03.66
24	+06.48 +019.3	-00.53 +020.4	+01.14 +003.8	+02.34 1100	+01.20	-01.76	+02.53	+16.91	+03.38
25	+06.78 +028.7	-00.35 +019.3	+00.94 +003.0	+01.42 1622	-00.01	-02.18	+02.72	+14.11	+02.82

FILE:SL010

No.	Xcm DELxy	Ycm DELyz	Zcm DELzx	Um/s Navg	Vm/s	Wm/s	Su	Sv	Sw
1	+05.05 +006.8	+00.09 +002.5	+01.63 +007.3	+02.81 0383	-06.27	+00.59	+03.31	+18.65	+03.70
2	+05.26 +019.9	-00.37 +007.3	+01.68 +006.9	+03.13 0388	-02.94	+00.84	+03.47	+20.55	+03.93
3	+05.40 +016.1	-00.50 +015.4	+01.71 +003.7	+03.72 0732	-02.13	+01.66	+03.15	+18.91	+03.40
4	+05.55 +015.2	-00.59 +023.8	+01.79 +002.9	+04.56 0717	-01.40	+01.94	+02.78	+17.78	+03.16
5	+05.72 +020.2	-00.64 +033.1	+01.86 +003.5	+05.08 0383	-01.44	+02.16	+03.05	+19.48	+03.46
6	+05.90 +018.6	-00.69 +047.2	+01.93 +003.1	+05.45 0380	-00.02	+02.16	+02.83	+17.72	+03.23
7	+06.16 +016.3	-00.67 +027.6	+02.05 +003.1	+05.58 0383	-01.54	+02.17	+02.94	+17.18	+03.25
8	+06.36 +015.7	-00.70 +034.8	+02.12 +002.9	+06.11 0387	-01.24	+01.87	+02.73	+17.80	+03.21
9	+06.57 +015.3	-00.73 +044.3	+02.19 +002.8	+06.24 0382	-00.54	+01.95	+02.64	+16.81	+03.24
10	+06.76 +014.5	-00.74 +034.1	+02.24 +002.5	+06.17 0383	-01.00	+02.05	+02.64	+16.01	+02.87
11	+07.06 +013.5	-00.79 +035.8	+02.33 +002.3	+06.41 0381	-00.72	+02.14	+02.62	+15.40	+02.74
12	+07.25 +011.8	-00.81 +036.5	+02.39 +002.2	+06.86 0383	-00.71	+01.87	+02.46	+14.36	+02.74
13	+07.44 +011.4	-00.83 +037.6	+02.44 +002.2	+07.10 0381	+01.23	+01.48	+02.57	+14.51	+02.84
14	+07.77 +011.0	-00.79 +032.4	+02.50 +002.2	+06.73 0381	+01.25	+01.74	+02.29	+13.37	+02.68
15	+08.23 +011.7	-00.63 +039.4	+02.61 +002.3	+06.62 0383	-00.43	+01.82	+02.50	+13.64	+02.77
16	+08.68 +009.9	-00.57 +057.1	+02.72 +002.0	+07.31 0381	+00.08	+01.29	+02.22	+12.70	+02.57
17	+09.07 +009.8	-00.54 +048.5	+02.78 +002.0	+07.01 0380	-00.22	+01.36	+02.41	+12.00	+02.54
18	+09.61 +009.8	-00.57 +060.1	+02.88 +002.0	+06.98 0379	+00.40	+01.07	+02.24	+11.96	+02.46

FILE:SL011

No.	Xcm DELxy	Ycm DELyz	Zcm DELzx	Um/s Navg	Vm/s	Wm/s	Su	Sv	Sw
1	-05.00 +002.3	+02.72 +001.6	+00.50 +000.5	+11.21 0286	+02.34	-00.35	+01.23	+04.00	+00.89
2	-04.70 +002.5	+02.78 +002.2	+00.49 +000.6	+10.90 0287	+01.75	-00.29	+01.23	+04.19	+00.93
3	-04.41 +002.1	+02.82 +001.5	+00.49 +000.5	+11.39 0286	+02.65	-00.31	+01.19	+03.83	+00.90
4	-04.13 +002.2	+02.90 +001.3	+00.48 +000.5	+11.86 0290	+03.26	-00.38	+01.29	+04.24	+00.92
5	-03.84 +002.1	+03.00 +001.5	+00.48 +000.5	+12.09 0285	+03.06	-00.30	+01.26	+03.99	+00.97
6	-03.56 +002.0	+03.08 +001.1	+00.47 +000.4	+12.75 0287	+03.35	-00.46	+01.16	+04.08	+00.86
7	-03.05 +001.9	+03.24 +001.1	+00.46 +000.5	+13.59 0289	+04.19	-00.46	+01.41	+04.30	+00.98
8	-02.47 +001.8	+03.42 +001.0	+00.44 +000.4	+15.25 0291	+04.15	-00.50	+01.41	+04.56	+00.98
9	-01.40 +001.6	+03.75 +001.8	+00.39 +000.4	+18.28 0288	+02.48	-00.33	+01.50	+04.61	+01.02
10	-00.77 +001.6	+03.86 +005.3	+00.38 +000.4	+19.80 0286	+00.97	-00.10	+01.65	+04.68	+01.09
11	-00.03 +001.6	+03.88 +003.2	+00.38 +000.3	+20.00 0284	-01.76	+00.09	+01.76	+04.90	+01.00
12	+00.81 +001.5	+03.77 +000.9	+00.39 +000.3	+19.54 0286	-04.86	+00.75	+01.88	+04.59	+01.00
13	+01.58 +003.2	+03.51 +002.7	+00.42 +000.4	+17.14 0291	-04.25	+01.18	+02.18	+08.92	+01.12
14	+02.32 +002.5	+03.29 +001.1	+00.48 +000.6	+14.04 0287	-07.65	+02.16	+02.01	+06.89	+01.26
15	+03.66 +003.8	+02.99 +003.3	+00.67 +000.9	+11.10 0285	-04.80	+02.51	+02.13	+07.54	+01.44

FILE:SL012

No.	Xcm DELxy	Ycm DELyz	Zcm DELzx	Um/s Navg	Vm/s	Wm/s	Su	Sv	Sw
1	+01.58 +001.8	+03.53 +000.7	+00.42 +000.4	+16.73 0289	-07.29	+01.35	+02.00	+05.30	+01.09
2	+02.04 +002.3	+03.33 +001.1	+00.46 +000.5	+16.11 0288	-06.32	+01.60	+02.10	+06.36	+01.17
3	+02.50 +003.8	+03.18 +003.1	+00.50 +000.6	+13.79 0291	-05.50	+02.17	+02.18	+09.32	+01.35
4	+02.95 +004.3	+03.00 +004.3	+00.57 +000.8	+12.24 0284	-04.82	+02.67	+02.15	+08.98	+01.53
5	+03.40 +003.9	+02.83 +003.1	+00.66 +000.9	+11.12 0283	-05.72	+02.88	+02.37	+08.15	+01.43
6	+03.83 +005.0	+02.61 +004.4	+00.77 +001.2	+09.83 0280	-04.96	+03.22	+02.52	+09.02	+01.83
7	+04.50 +004.8	+02.29 +002.6	+01.01 +001.9	+07.78 0284	-07.85	+03.80	+03.20	+10.94	+02.32
8	+05.27 +009.9	+01.83 +005.5	+01.31 +003.6	+05.72 0287	-05.08	+02.50	+03.35	+15.06	+03.42
9	+05.81 +007.3	+01.39 +002.2	+01.57 +003.9	+05.75 0285	-06.93	+01.82	+02.83	+15.15	+03.59
10	+06.15 +010.6	+00.96 +002.9	+01.69 +004.3	+04.95 0285	-04.54	+00.80	+02.79	+14.41	+03.24
11	+06.53 +011.7	+00.58 +004.5	+01.75 +004.2	+04.67 0282	-03.79	+00.15	+02.64	+13.38	+02.95
12	+07.01 +014.7	+00.17 +012.1	+01.75 +004.1	+05.06 0286	-02.46	-00.29	+02.63	+13.85	+03.13
13	+07.51 +018.8	-00.14 +098.2	+01.68 +003.7	+04.99 0285	+00.18	-00.89	+02.46	+14.12	+02.79
14	+08.10 +016.2	-00.07 +060.6	+01.51 +003.4	+04.06 0537	+00.15	-01.07	+02.49	+12.89	+02.65
15	+08.72 +016.4	+00.05 +045.7	+01.29 +003.3	+03.88 0538	-00.15	-01.43	+02.49	+11.80	+02.32
16	+09.31 +015.7	+00.18 +017.2	+01.04 +003.7	+03.38 0533	+01.56	-01.42	+02.39	+12.01	+02.53
17	+09.78 +018.2	+00.48 +039.2	+00.83 +003.8	+02.97 0529	-00.25	-01.37	+01.98	+10.33	+02.41
18	+10.30 +018.2	+00.47 +012.1	+00.58 +005.9	+02.71 0288	+02.02	-01.20	+02.31	+11.53	+02.68
19	+10.76 +011.1	+00.77 +003.2	+00.38 +004.0	+03.21 0287	+03.43	-00.72	+01.95	+11.34	+02.00
20	+11.86 +015.3	+01.36 +006.3	+00.27 +004.0	+02.85 0285	+01.12	-00.18	+02.02	+07.58	+01.70

21	+12.52 +011.5	+01.67 +004.0	+00.28 +004.0	+02.84 0289	+02.12	-00.16	+01.95	+07.60	+01.68
22	+13.18 +017.4	+02.16 +057.7	+00.28 +003.8	+02.67 0289	+00.40	+00.14	+01.99	+07.25	+01.55
23	+13.70 +012.5	+02.27 +004.4	+00.33 +003.4	+03.05 0285	+01.72	-00.15	+01.73	+07.49	+01.55
24	+14.28 +012.1	+02.61 +006.9	+00.31 +003.4	+03.18 0286	+01.66	+00.03	+01.91	+07.28	+01.61
25	+14.72 +011.6	+02.83 +005.0	+00.31 +003.4	+03.08 0290	+01.81	-00.07	+01.82	+07.25	+01.56

FILE:SL013

No.	Xcm DELxy	Ycm DELyz	Zcm DELzx	Um/s Navg	Vm/s	Wm/s	Su	Sv	Sw
1	-05.00 +002.0	-06.99 +014.1	+02.01 +000.5	+13.76 0096	-01.00	-00.34	+00.69	+02.43	+00.63
2	-04.50 +002.6	-07.03 +030.2	+01.99 +000.6	+14.09 0097	-00.69	-00.42	+00.79	+03.21	+00.70
3	-04.00 +002.5	-07.04 +016.4	+01.98 +000.6	+13.86 0097	-00.96	-00.27	+00.70	+03.00	+00.74
4	-03.51 +002.5	-07.08 +027.9	+01.97 +000.5	+13.76 0094	-00.69	-00.46	+00.95	+02.91	+00.60
5	-03.01 +002.5	-07.10 +012.9	+01.96 +000.4	+14.73 0096	-01.14	-00.34	+00.66	+03.24	+00.54
6	-02.52 +007.1	-07.14 +019.2	+01.95 +000.5	+14.55 0165	-01.44	-00.32	+00.79	+09.36	+00.63

FILE:SL014

No.	Xcm DELxy	Ycm DELyz	Zcm DELzx	Um/s Navg	Vm/s	Wm/s	Su	Sv	Sw
1	+02.79 +001.5	-06.49 +002.9	+02.20 +000.3	+14.67 0096	+03.32	+00.90	+00.81	+01.97	+00.41
2	+03.28 +001.7	-06.38 +003.4	+02.23 +000.4	+15.12 0096	+03.53	+01.00	+00.98	+02.43	+00.52
3	+03.76 +002.1	-06.27 +003.5	+02.26 +000.5	+14.16 0096	+04.16	+01.22	+00.96	+02.85	+00.63
4	+04.23 +001.9	-06.14 +002.9	+02.30 +000.5	+13.75 0097	+04.40	+01.33	+01.16	+02.52	+00.55
5	+04.70 +002.1	-05.99 +003.8	+02.34 +000.6	+13.26 0096	+04.10	+01.57	+01.21	+02.64	+00.65
6	+05.17 +002.0	-05.84 +003.9	+02.40 +000.4	+13.40 0095	+03.87	+01.83	+00.89	+02.52	+00.51
7	+05.83 +002.5	-05.61 +004.8	+02.48 +000.6	+12.49 0096	+03.82	+01.90	+01.20	+02.95	+00.65
8	+06.37 +003.0	-05.43 +006.2	+02.56 +000.7	+12.41 0095	+03.69	+01.99	+00.83	+03.53	+00.77
9	+07.13 +003.1	-05.16 +005.4	+02.69 +000.6	+11.67 0096	+03.92	+02.07	+01.05	+03.51	+00.63
10	+07.77 +003.5	-04.92 +008.5	+02.80 +000.9	+11.50 0096	+03.02	+02.14	+01.04	+03.71	+00.87
11	+08.53 +004.0	-04.68 +008.5	+02.95 +000.8	+10.74 0096	+03.05	+02.09	+00.91	+04.01	+00.77
12	+09.09 +003.3	-04.53 +007.1	+03.06 +000.7	+10.70 0095	+03.08	+02.06	+01.17	+03.27	+00.69
13	+09.91 +004.8	-04.26 +012.2	+03.20 +001.1	+10.81 0095	+02.68	+02.01	+01.26	+04.75	+01.05
14	+10.69 +004.5	-04.05 +007.2	+03.33 +001.0	+10.32 0095	+03.72	+01.70	+01.32	+04.52	+00.94
15	+11.47 +006.0	-03.73 +012.5	+03.45 +001.2	+10.16 0095	+02.77	+01.55	+01.34	+05.66	+01.02
16	+12.24 +005.7	-03.47 +014.6	+03.54 +001.5	+10.20 0094	+02.47	+01.49	+01.35	+05.27	+01.30
17	+12.98 +007.3	-03.25 +015.8	+03.62 +001.4	+10.14 0093	+02.52	+01.21	+01.37	+06.69	+01.24
18	+13.66 +008.9	-03.02 +034.8	+03.68 +002.0	+08.63 0095	+01.35	+01.29	+01.73	+06.82	+01.55
19	+14.43 +009.3	-02.85 +045.6	+03.75 +001.9	+09.16 0096	+01.11	+01.00	+01.54	+07.54	+01.54

FILE:SL015

No.	Xcm DELx y	Ycm DELYz	Zcm DELz x	Um/s Navg	Vm/s	Wm/s	Su	Sv	Sw
1	-05.00 +003.2	-03.00 +010.8	+02.00 +000.7	+11.84 0095	-01.87	-00.77	+00.95	+03.37	+00.77
2	-04.50 +002.6	-03.08 +008.5	+01.97 +000.6	+11.92 0094	-01.99	-00.89	+01.08	+02.80	+00.58
3	-04.02 +002.9	-03.17 +005.8	+01.93 +000.8	+12.23 0094	-03.14	-01.01	+00.85	+03.25	+00.80
4	-03.54 +002.7	-03.29 +005.0	+01.90 +000.6	+13.33 0096	-03.44	-00.98	+00.79	+03.36	+00.75
5	-03.06 +002.3	-03.40 +002.5	+01.86 +000.5	+13.63 0096	-04.69	-00.83	+01.12	+03.05	+00.59
6	-02.59 +002.5	-03.55 +003.6	+01.84 +000.6	+15.62 0096	-04.50	-00.97	+00.78	+03.67	+00.78

FILE:SL016

No.	Xcm DELxy	Ycm DELyz	Zcm DELzx	Um/s Navg	Vm/s	Wm/s	Su	Sv	Sw
1	+02.40 +002.3	-02.70 +002.3	+02.00 +000.9	+13.21 0094	+10.53	+03.76	+01.51	+04.10	+01.05
2	+02.78 +002.9	-02.40 +003.0	+02.11 +001.2	+11.90 0097	+11.38	+04.95	+01.54	+05.50	+01.36
3	+03.12 +004.0	-02.07 +004.4	+02.25 +001.6	+09.78 0095	+10.02	+05.58	+01.67	+06.70	+01.60
4	+03.44 +006.6	-01.73 +007.9	+02.43 +002.2	+08.27 0093	+07.81	+05.82	+01.42	+08.81	+02.10
5	+03.76 +006.5	-01.43 +007.2	+02.65 +002.2	+07.23 0095	+07.55	+05.31	+01.80	+08.24	+01.63
6	+04.06 +007.3	-01.10 +008.7	+02.88 +003.5	+05.13 0094	+07.87	+04.65	+01.96	+10.42	+02.23
7	+04.45 +008.7	-00.41 +010.2	+03.27 +001.9	+04.37 0346	+03.95	+04.06	+01.41	+11.00	+02.07
8	+04.87 +009.6	+00.34 +011.3	+03.78 +001.4	+05.05 0426	-00.89	+04.33	+01.39	+08.86	+01.73
9	+05.29 +009.1	+00.19 +009.6	+04.23 +001.4	+05.46 0429	-01.50	+04.83	+01.33	+08.78	+01.73
10	+05.85 +009.0	+00.04 +010.0	+04.88 +001.3	+05.52 0329	-00.23	+04.93	+01.00	+07.57	+01.64
11	+06.47 +009.7	-00.18 +010.2	+05.55 +001.3	+05.79 0253	-00.93	+05.51	+01.05	+07.46	+01.36
12	+06.95 +009.0	-00.57 +010.3	+06.07 +001.2	+06.08 0254	+00.50	+05.39	+01.25	+07.02	+01.17
13	+07.43 +009.4	-00.55 +011.5	+06.56 +001.4	+06.26 0172	+01.59	+05.35	+01.31	+06.91	+01.20
14	+07.92 +009.0	-00.44 +011.2	+07.05 +001.5	+06.41 0164	+02.42	+05.28	+01.15	+06.32	+01.14
15	+08.52 +008.5	-00.05 +010.2	+07.60 +001.1	+06.27 0257	+00.06	+05.37	+01.06	+06.93	+01.15
16	+08.96 +009.6	+00.25 +010.7	+07.99 +001.4	+06.36 0168	-00.59	+05.60	+01.17	+06.30	+01.26
17	+09.41 +007.9	+00.29 +009.4	+08.39 +001.1	+06.29 0251	+00.36	+05.34	+01.13	+06.42	+01.18
18	+09.90 +008.7	+00.32 +009.4	+08.82 +001.4	+06.40 0168	-01.43	+05.61	+01.19	+06.19	+01.11
19	+10.56 +009.6	+00.09 +011.6	+09.38 +001.6	+06.17 0169	-00.78	+05.17	+01.26	+06.60	+01.17
20	+11.08 +008.0	-00.27 +010.0	+09.80 +001.3	+06.53 0254	-00.05	+05.17	+01.09	+06.80	+01.31

21	+11.53 +008.2	-00.43 +010.2	+10.15 +001.2	+06.52 0246	+01.20	+05.41	+00.89	+06.67	+01.27
22	+12.00 +009.8	-00.40 +012.4	+10.51 +001.4	+06.60 0170	-00.24	+05.32	+01.12	+06.63	+01.30
23	+12.55 +009.5	-00.38 +012.5	+10.89 +001.5	+06.84 0166	+00.68	+05.19	+01.10	+06.25	+01.14
24	+13.15 +008.0	-00.03 +010.5	+11.25 +001.4	+06.98 0165	-00.73	+05.01	+01.03	+05.69	+01.14
25	+13.57 +007.9	+00.19 +010.7	+11.48 +001.3	+06.97 0249	-00.87	+04.96	+01.16	+06.55	+01.26
26	+13.98 +007.6	+00.27 +009.0	+11.67 +001.5	+07.25 0167	-02.38	+05.06	+01.06	+05.88	+01.11

FILE:SL017

No.	Xcm DELxy	Ycm DELyz	Zcm DELzx	Um/s Navg	Vm/s	Wm/s	Su	Sv	Sw
1	-05.00 +003.9	-01.98 +024.3	+02.00 +000.8	+11.12 0096	-01.06	-00.85	+01.07	+03.83	+00.77
2	-04.50 +002.8	-02.03 +011.8	+01.97 +000.5	+11.75 0096	-01.61	-01.06	+00.62	+02.97	+00.50
3	-04.01 +003.1	-02.10 +005.4	+01.93 +000.7	+11.82 0096	-03.35	-01.07	+00.72	+03.49	+00.73
4	-03.54 +003.1	-02.23 +004.8	+01.89 +000.6	+11.68 0096	-03.73	-01.28	+00.98	+03.51	+00.65
5	-03.07 +003.1	-02.38 +003.6	+01.84 +000.7	+12.46 0095	-05.00	-01.37	+01.05	+03.97	+00.71
6	-02.61 +003.1	-02.55 +003.4	+01.79 +000.7	+13.45 0096	-05.94	-01.57	+01.11	+04.42	+00.87
7	-01.87 +007.1	-02.93 +007.3	+01.70 +000.8	+16.18 0095	-05.31	-01.37	+01.45	+10.92	+01.06
8	-01.13 +007.6	-03.20 +002.6	+01.63 +000.8	+20.34 0097	-11.81	-00.97	+01.25	+18.04	+01.38

FILE·SL018

No.	Xcm DELxy	Ycm DELyz	Zcm DELzx	Um/s Navg	Vm/s	Wm/s	Su	Sv	Sw
1	+02.00 +003.5	-02.59 +003.4	+01.90 +001.3	+13.75 0096	+11.82	+04.69	+02.39	+06.99	+01.48
2	+02.37 +003.2	-02.27 +003.4	+02.03 +001.3	+11.86 0096	+11.31	+05.67	+01.99	+06.02	+01.34
3	+02.71 +003.9	-01.93 +004.1	+02.19 +001.7	+09.73 0094	+11.79	+06.26	+02.10	+07.73	+01.50
4	+02.99 +005.7	-01.57 +006.9	+02.37 +002.8	+07.12 0096	+09.85	+06.57	+02.21	+09.69	+02.52
5	+03.25 +007.9	-01.21 +010.0	+02.61 +003.5	+05.29 0095	+08.43	+06.04	+02.18	+12.32	+02.75
6	+03.47 +004.0	-00.84 +007.0	+02.86 +004.3	+03.05 0094	+11.27	+05.78	+02.36	+12.41	+02.73
7	+03.58 +004.2	-00.14 +009.3	+03.23 +001.8	+00.13 0667	+02.53	+05.38	+02.20	+12.26	+02.49
8	+03.45 +012.1	+00.47 +009.4	+03.80 +002.1	+00.12 0427	-01.29	+06.65	+02.51	+11.69	+02.40
9	+03.15 +026.4	+00.26 +009.3	+04.35 +001.5	-03.59 0600	-00.09	+10.25	+03.34	+18.85	+04.16
10	+02.81 +022.0	+00.18 +009.6	+04.78 +001.4	-06.86 0345	-02.74	+17.56	+03.61	+27.09	+06.55

FILE:SL019

No.	Xcm DELx y	Ycm DELYz	Zcm DELz x	Um/s Navg	Vm/s	Wm/s	Su	Sv	Sw
1	-05.00 +002.9	+02.00 +003.6	+02.01 +000.7	+12.02 0095	+02.13	-00.87	+00.75	+03.07	+00.76
2	-04.51 +003.3	+02.09 +006.3	+01.97 +000.7	+11.71 0095	+01.77	-00.87	+00.84	+03.42	+00.73
3	-04.02 +003.4	+02.16 +004.4	+01.94 +000.7	+11.53 0095	+02.61	-01.20	+01.02	+03.60	+00.72
4	-03.54 +003.1	+02.28 +002.8	+01.89 +000.8	+12.55 0096	+03.48	-01.42	+00.79	+03.68	+00.85
5	-03.06 +002.9	+02.42 +001.9	+01.84 +000.7	+13.15 0096	+04.50	-01.54	+00.94	+03.67	+00.79
6	-02.60 +003.5	+02.59 +001.8	+01.79 +000.9	+13.56 0094	+05.78	-01.90	+01.26	+04.79	+01.08
7	-01.78 +003.5	+02.98 +002.1	+01.67 +001.0	+17.25 0096	+04.52	-01.56	+01.49	+05.51	+01.54
8	-01.02 +004.0	+03.22 +005.4	+01.59 +001.0	+20.12 0094	+03.24	-01.28	+01.32	+07.19	+01.73
9	-00.52 +004.3	+03.33 +027.9	+01.56 +001.0	+21.28 0096	+01.18	-00.83	+01.77	+07.96	+01.89
10	+00.29 +004.0	+03.34 +003.9	+01.54 +001.0	+21.35 0094	-03.37	+00.49	+01.74	+07.58	+01.88
11	+00.98 +003.9	+03.19 +001.3	+01.58 +001.2	+20.47 0094	-10.34	+02.44	+01.92	+08.60	+02.12
12	+01.59 +004.0	+02.83 +001.2	+01.65 +001.5	+18.01 0095	-12.14	+03.43	+01.89	+09.06	+02.40
13	+02.11 +003.8	+02.39 +001.6	+01.76 +001.8	+14.35 0096	-15.44	+06.36	+02.01	+10.22	+02.59
14	+02.42 +003.4	+01.98 +001.7	+01.95 +002.4	+11.07 0096	-19.09	+08.38	+01.97	+12.81	+03.37
15	+02.66 +003.4	+01.47 +002.3	+02.19 +003.1	+07.90 0095	-21.38	+10.62	+02.53	+18.17	+05.00
16	+02.82 +004.3	+00.81 +007.8	+02.53 +003.5	+02.63 0095	-15.42	+13.68	+04.18	+25.91	+05.90
17	+02.83 +005.2	+00.15 +009.3	+03.04 +002.2	-02.36 0180	-11.68	+16.05	+03.77	+29.43	+06.55
18	+02.47 +035.8	-00.60 +009.8	+03.66 +001.4	-06.43 0262	+01.73	+25.08	+04.71	+34.78	+08.64
19	+02.11 +009.3	-00.50 +007.7	+04.14 +001.0	-09.88 0175	+15.45	+38.58	+04.14	+37.28	+07.58

FILE:SL020

No.	Xcm DELxy	Ycm DELYz	Zcm DELzx	Um/s Navg	Vm/s	Wm/s	Su	Sv	Sw
1	-05.00 +002.7	+02.52 +008.4	+02.00 +000.5	+12.60 0098	+01.36	-00.73	+00.62	+02.99	+00.53
2	-04.50 +003.5	+02.57 +006.6	+01.98 +000.7	+12.44 0095	+02.21	-01.11	+00.79	+03.97	+00.73
3	-04.01 +003.5	+02.66 +003.5	+01.94 +000.7	+12.35 0096	+03.25	-01.29	+00.94	+04.03	+00.79
4	-03.54 +003.4	+02.79 +002.9	+01.89 +000.7	+13.01 0096	+03.73	-01.40	+00.92	+04.12	+00.85
5	-03.06 +003.7	+02.94 +003.2	+01.85 +000.7	+13.93 0097	+04.07	-01.44	+00.84	+04.92	+00.84
6	-02.59 +003.8	+03.09 +004.9	+01.80 +000.6	+15.22 0094	+03.34	-01.33	+00.89	+05.21	+00.78
7	-01.49 +003.4	+03.34 +004.6	+01.69 +000.8	+18.04 0096	+02.97	-01.17	+01.08	+05.41	+01.25
8	-00.94 +003.2	+03.44 +004.3	+01.66 +000.7	+20.85 0097	+03.47	-01.27	+01.22	+06.07	+01.30
9	-00.04 +003.0	+03.57 +008.6	+01.62 +000.8	+21.63 0096	-02.06	-00.04	+01.55	+05.70	+01.44
10	+00.83 +002.6	+03.48 +001.3	+01.62 +000.7	+21.05 0095	-06.07	+01.28	+01.83	+05.04	+01.23
11	+01.56 +003.0	+03.25 +001.0	+01.68 +000.9	+18.36 0095	-11.21	+02.79	+01.72	+06.51	+01.44
12	+02.15 +003.3	+02.84 +001.5	+01.77 +001.1	+15.55 0096	-11.33	+04.29	+01.73	+06.87	+01.54
13	+02.66 +003.5	+02.40 +001.8	+01.91 +001.3	+12.37 0094	-11.67	+05.59	+01.40	+06.91	+01.60
14	+03.10 +005.5	+01.88 +003.6	+02.10 +002.0	+09.13 0096	-10.05	+05.67	+01.60	+09.57	+02.04
15	+03.45 +005.9	+01.41 +003.6	+02.35 +002.7	+07.15 0094	-09.47	+05.26	+01.35	+09.90	+02.40
16	+03.78 +008.5	+00.92 +006.5	+02.62 +003.0	+04.93 0172	-05.63	+04.61	+01.73	+09.98	+02.50
17	+04.18 +009.3	+00.42 +008.4	+02.98 +001.9	+04.03 0509	-02.78	+03.70	+01.62	+10.12	+02.28
18	+04.56 +009.9	-00.04 +010.1	+03.41 +001.2	+04.00 0851	+00.22	+03.97	+01.23	+09.89	+01.94
19	+04.89 +009.7	+00.01 +010.7	+03.79 +001.2	+04.78 0595	-00.83	+04.33	+01.22	+09.84	+01.79
20	+05.57 +009.0	-00.03 +009.6	+04.65 +001.3	+05.47 0336	-01.19	+04.97	+01.20	+08.06	+01.54

21	+06.23 +009.4	+00.04 +010.7	+05.49 +001.3	+05.87 0252	+00.44	+05.23	+01.05	+07.25	+01.31
22	+06.77 +009.4	+00.20 +009.6	+06.10 +001.3	+05.76 0252	-00.57	+05.51	+01.01	+07.15	+01.39
23	+07.26 +009.4	+00.18 +009.6	+06.66 +001.2	+05.75 0247	-00.92	+05.71	+01.06	+07.20	+01.19
24	+07.88 +011.7	+00.11 +009.7	+07.37 +002.3	+05.72 0095	-03.65	+06.37	+01.46	+08.03	+01.97
25	+08.42 +009.4	-00.29 +009.0	+07.99 +001.1	+05.73 0252	+00.93	+06.25	+01.13	+06.64	+01.15
26	+08.92 +007.8	-00.32 +008.2	+08.57 +001.0	+05.88 0253	+01.64	+05.99	+01.09	+06.61	+01.10
27	+09.35 +008.8	-00.20 +009.2	+09.06 +001.1	+05.94 0251	+00.20	+05.86	+00.96	+06.99	+01.22
28	+10.01 +009.1	-00.07 +009.0	+09.83 +001.1	+05.85 0246	-00.25	+06.01	+00.95	+06.88	+01.18
29	+10.51 +009.6	+00.10 +008.7	+10.40 +001.2	+05.72 0255	-00.42	+06.19	+01.09	+06.93	+01.36
30	+10.94 +010.2	+00.09 +009.0	+10.90 +001.3	+05.52 0250	-00.24	+06.30	+01.14	+07.07	+01.27
31	+11.37 +008.6	+00.06 +008.4	+11.43 +001.1	+05.71 0242	+00.78	+06.16	+00.97	+06.22	+01.04
32	+11.92 +008.8	+00.11 +008.4	+12.12 +001.0	+05.78 0256	-00.24	+06.14	+00.94	+06.70	+01.17
33	+12.43 +009.3	-00.02 +008.3	+12.79 +001.1	+05.57 0249	-00.66	+06.52	+01.17	+06.74	+01.14
34	+12.83 +012.1	-00.08 +010.1	+13.33 +001.4	+05.30 0168	+00.00	+06.43	+01.12	+06.83	+01.31
35	+13.29 +010.5	-00.15 +008.6	+14.00 +001.2	+05.31 0252	-00.18	+06.70	+01.17	+07.08	+01.40
36	+13.62 +013.0	-00.17 +010.0	+14.48 +001.3	+05.20 0164	-00.43	+06.91	+01.04	+06.77	+01.17
37	+13.88 +010.2	-00.19 +008.4	+14.91 +001.4	+05.73 0171	-01.04	+06.78	+01.21	+06.20	+01.11
38	+14.12 +011.8	-00.27 +008.9	+15.40 +001.3	+05.33 0165	+00.31	+06.90	+01.12	+06.12	+01.20

FILE:SL021

No.	Xcm DELxy	Ycm DELyZ	Zcm DELzx	Um/s Navg	Vm/s	Wm/s	Su	Sv	Sw
1	-05.00 +002.2	+03.01 +006.5	+02.00 +000.4	+12.80 0095	+01.45	-00.76	+00.52	+02.53	+00.47
2	-04.50 +002.9	+03.07 +007.3	+01.97 +000.6	+12.87 0097	+01.44	-00.68	+00.86	+03.29	+00.68
3	-04.01 +003.0	+03.12 +004.0	+01.95 +000.6	+13.45 0095	+02.28	-00.83	+00.86	+03.62	+00.74
4	-03.52 +002.4	+03.21 +003.9	+01.92 +000.5	+14.12 0095	+02.19	-00.91	+00.75	+02.98	+00.62
5	-03.04 +002.9	+03.29 +006.2	+01.89 +000.6	+14.21 0094	+02.08	-01.01	+01.01	+03.69	+00.71
6	-02.55 +002.4	+03.37 +002.5	+01.86 +000.5	+15.73 0096	+03.32	-01.15	+00.93	+03.44	+00.71
7	-01.45 +003.3	+03.60 +003.4	+01.77 +000.8	+17.77 0096	+03.90	-01.44	+01.15	+05.39	+01.20
8	-00.78 +003.0	+03.77 +012.5	+01.72 +000.6	+19.52 0096	+01.54	-00.88	+01.88	+05.12	+01.10
9	+00.17 +002.6	+03.88 +003.6	+01.67 +000.5	+20.78 0098	-02.01	+00.28	+01.55	+04.83	+00.96
10	+00.75 +002.7	+03.82 +001.2	+01.68 +000.7	+19.22 0096	-06.71	+01.38	+01.48	+05.06	+01.09
11	+01.46 +003.2	+03.53 +001.5	+01.74 +000.8	+18.67 0097	-07.43	+02.08	+01.72	+06.08	+01.36
12	+02.07 +003.2	+03.21 +001.5	+01.81 +000.9	+16.71 0095	-10.23	+03.62	+01.48	+06.47	+01.39
13	+02.60 +003.2	+02.79 +001.5	+01.93 +001.2	+14.09 0097	-13.05	+05.22	+01.57	+07.24	+01.59
14	+03.01 +003.9	+02.36 +002.3	+02.08 +001.3	+12.00 0096	-11.11	+05.75	+01.54	+07.43	+01.55
15	+03.47 +005.5	+01.85 +003.2	+02.30 +002.2	+08.96 0094	-08.78	+05.37	+01.62	+08.17	+02.12
16	+04.03 +009.2	+01.13 +006.8	+02.69 +003.1	+06.12 0094	-06.75	+04.66	+01.56	+10.77	+02.35
17	+04.40 +009.5	+00.69 +008.6	+02.97 +002.4	+05.11 0260	-03.52	+03.49	+01.60	+09.81	+02.00
18	+04.86 +009.8	+00.17 +012.7	+03.34 +001.7	+04.89 0336	-01.61	+03.24	+01.35	+08.20	+01.50
19	+05.35 +009.4	-00.12 +013.0	+03.70 +001.6	+05.57 0348	-01.37	+03.58	+01.34	+08.98	+01.76
20	+05.87 +009.4	-00.22 +018.0	+04.07 +001.5	+06.21 0341	+00.67	+03.39	+01.20	+09.14	+01.75

21	+06.57 +008.8	-00.08 +014.4	+04.47 +001.5	+06.65 0253	-01.45	+03.48	+01.17	+07.59	+01.43
22	+07.20 +009.3	-00.03 +017.7	+04.78 +001.8	+07.23 0169	-00.32	+03.62	+01.18	+06.94	+01.38
23	+07.74 +009.0	+00.05 +019.3	+05.03 +001.7	+07.79 0173	-00.66	+03.54	+01.14	+08.10	+01.50
24	+08.25 +008.7	+00.01 +020.6	+05.24 +001.5	+07.07 0170	-00.38	+02.88	+01.10	+06.26	+01.09
25	+08.87 +008.7	-00.03 +018.5	+05.45 +001.5	+07.44 0172	-00.45	+03.44	+01.25	+06.50	+01.26
26	+09.56 +007.9	-00.13 +018.4	+05.69 +001.5	+07.62 0167	-00.60	+03.06	+01.23	+06.18	+01.18
27	+10.18 +008.9	-00.21 +023.4	+05.89 +001.5	+07.76 0169	-00.26	+02.96	+01.20	+06.54	+01.17
28	+10.74 +007.8	-00.24 +020.2	+06.07 +001.4	+07.91 0171	-00.76	+02.75	+01.15	+06.40	+01.09
29	+11.21 +010.2	-00.27 +033.1	+06.22 +001.9	+08.16 0096	+00.97	+02.29	+01.63	+07.35	+01.39
30	+11.90 +009.9	-00.15 +030.2	+06.35 +001.7	+08.33 0095	-00.51	+02.57	+01.38	+07.16	+01.30
31	+12.54 +009.6	-00.08 +034.1	+06.46 +001.8	+08.22 0094	+00.18	+02.34	+01.28	+06.89	+01.37
32	+13.10 +009.2	-00.01 +030.6	+06.55 +001.7	+08.62 0094	+01.36	+02.03	+01.17	+07.10	+01.28
33	+13.67 +006.7	+00.13 +020.6	+06.61 +001.4	+08.52 0171	-00.84	+02.36	+01.22	+05.67	+01.07
34	+14.27 +006.7	+00.14 +025.9	+06.69 +001.3	+08.38 0172	-00.43	+02.04	+01.12	+06.01	+01.00

FILE:SLO22

No.	Xcm DELxy	Ycm DELyz	Zcm DELzx	Um/s Navg	Vm/s	Wm/s	Su	Sv	Sw
1	-05.00 +002.7	+04.00 +009.4	+02.00 +000.6	+13.26 0094	+01.19	-00.67	+00.90	+03.02	+00.66
2	-04.50 +002.2	+04.04 +005.3	+01.98 +000.4	+14.00 0097	+01.74	-00.77	+00.71	+02.77	+00.48
3	-04.01 +002.5	+04.12 +004.3	+01.95 +000.4	+14.31 0096	+02.08	-00.77	+00.96	+03.14	+00.52
4	-03.52 +002.4	+04.22 +006.9	+01.93 +000.5	+14.82 0096	+01.63	-00.88	+00.79	+03.09	+00.62
5	-03.03 +002.9	+04.29 +005.7	+01.91 +000.6	+15.40 0095	+02.01	-00.80	+01.04	+04.04	+00.81
6	-02.54 +002.1	+04.36 +005.3	+01.88 +000.3	+16.55 0095	+01.98	-00.84	+00.79	+03.07	+00.46
7	-01.67 +002.6	+04.46 +005.7	+01.84 +000.6	+17.37 0096	+01.95	-00.82	+01.25	+03.94	+00.84
8	-01.11 +002.4	+04.53 +046.1	+01.81 +000.5	+18.29 0097	-00.56	-00.40	+01.16	+03.76	+00.85
9	-00.10 +001.9	+04.48 +002.5	+01.79 +000.4	+19.56 0096	-02.65	+00.19	+01.18	+03.25	+00.75
10	+00.72 +002.7	+04.35 +001.8	+01.81 +000.6	+19.98 0096	-04.34	+00.87	+01.07	+04.89	+00.97
11	+01.47 +002.7	+04.18 +001.2	+01.84 +000.7	+18.64 0097	-07.36	+01.77	+01.38	+05.09	+01.09
12	+02.17 +003.0	+03.85 +001.6	+01.91 +000.7	+16.45 0096	-08.69	+02.93	+01.28	+05.48	+01.03
13	+02.78 +003.5	+03.47 +002.3	+02.02 +001.0	+14.35 0096	-07.61	+03.78	+01.46	+05.62	+01.30
14	+03.37 +003.8	+03.09 +002.5	+02.18 +001.1	+13.71 0097	-08.45	+04.44	+01.24	+06.32	+01.41
15	+03.91 +004.3	+02.72 +002.6	+02.36 +001.4	+10.94 0096	-08.72	+04.61	+01.40	+06.58	+01.49
16	+04.48 +005.8	+02.21 +004.3	+02.63 +001.7	+09.78 0095	-07.08	+04.84	+01.37	+07.42	+01.65
17	+05.12 +008.4	+01.65 +006.2	+03.00 +002.5	+08.49 0095	-06.18	+04.31	+01.53	+09.43	+02.25
18	+05.74 +006.8	+01.07 +006.1	+03.37 +001.9	+07.09 0170	-04.36	+03.65	+01.28	+06.76	+01.50
19	+06.29 +008.4	+00.62 +008.3	+03.68 +002.1	+06.63 0170	-03.50	+03.24	+01.53	+06.75	+01.48
20	+06.78 +008.6	+00.26 +013.2	+03.92 +001.8	+06.66 0258	-01.74	+03.13	+01.42	+07.60	+01.55

21	+07.46 +009.0	-00.02 +023.4	+04.23 +001.7	+07.09 0260	-00.22	+02.67	+01.46	+08.02	+01.48
22	+08.23 +008.0	+00.02 +025.2	+04.48 +001.6	+07.73 0169	+00.51	+02.46	+01.34	+06.56	+01.34
23	+08.91 +008.6	+00.18 +014.8	+04.64 +001.8	+07.47 0170	-01.84	+02.87	+01.28	+06.94	+01.43
24	+09.52 +008.2	+00.16 +018.8	+04.83 +001.5	+08.20 0172	-01.47	+02.69	+01.29	+07.33	+01.35
25	+10.05 +008.1	+00.13 +021.4	+04.97 +001.6	+08.28 0168	-01.03	+02.56	+01.41	+06.85	+01.15
26	+10.58 +010.1	+00.06 +028.7	+05.11 +001.9	+08.48 0093	-01.10	+02.33	+01.75	+07.52	+01.41
27	+11.21 +007.3	-00.12 +023.1	+05.25 +001.3	+08.30 0174	-00.79	+02.27	+01.27	+06.56	+01.07
28	+11.82 +010.2	-00.27 +034.2	+05.36 +002.0	+08.33 0093	-00.89	+02.00	+01.60	+07.46	+01.48
29	+12.37 +010.0	-00.36 +046.9	+05.45 +001.9	+08.54 0096	+00.25	+01.82	+01.41	+07.48	+01.48
30	+12.90 +007.0	-00.36 +033.4	+05.52 +001.2	+08.21 0173	+00.68	+01.59	+01.30	+06.52	+01.04
31	+13.53 +009.6	-00.26 +028.1	+05.55 +002.0	+08.21 0095	-01.12	+02.01	+01.59	+06.98	+01.42
32	+14.13 +010.2	-00.18 +053.5	+05.59 +002.1	+08.46 0095	-00.47	+01.35	+01.79	+07.44	+01.55

FILE:SL023

No.	Xcm DELxy	Ycm DELyz	Zcm DELzx	Um/s Navg	Vm/s	Wm/s	Su	Sv	Su
1	-05.01 +002.9	+05.00 +007.2	+02.01 +000.5	+10.14 0190	+00.98	-00.34	+00.99	+03.64	+00.59
2	-04.51 +001.7	+05.05 +015.2	+01.99 +000.3	+13.82 0193	+00.65	-00.52	+00.74	+02.87	+00.47
3	-04.01 +001.7	+05.08 +011.4	+01.97 +000.3	+14.72 0190	+00.88	-00.63	+00.71	+03.14	+00.62
4	-03.52 +001.5	+05.12 +009.9	+01.95 +000.3	+15.10 0194	+00.91	-00.63	+00.74	+02.86	+00.50
5	-03.03 +001.7	+05.15 +006.7	+01.94 +000.3	+15.60 0189	+01.31	-00.70	+00.83	+03.35	+00.66
6	-02.53 +001.6	+05.19 +010.3	+01.92 +000.3	+16.16 0192	+00.96	-00.61	+00.72	+03.25	+00.57
7	-01.50 +001.4	+05.25 +057.1	+01.87 +000.3	+17.44 0194	+00.14	-00.35	+00.83	+02.99	+00.56
8	-00.97 +001.7	+05.27 +009.3	+01.86 +000.4	+17.71 0190	-01.15	-00.18	+01.06	+03.69	+00.85
9	-00.05 +001.7	+05.22 +002.4	+01.86 +000.4	+18.09 0188	-02.46	+00.09	+01.19	+03.92	+00.84
10	+00.77 +001.5	+05.09 +001.1	+01.87 +000.3	+18.12 0191	-03.52	+00.60	+01.22	+03.49	+00.67
11	+01.53 +001.6	+04.93 +000.8	+01.89 +000.4	+17.28 0192	-05.94	+01.41	+01.12	+03.87	+00.79
12	+02.24 +001.8	+04.66 +001.1	+01.95 +000.4	+17.06 0193	-06.07	+01.88	+01.22	+04.38	+00.89
13	+02.92 +002.0	+04.38 +001.1	+02.03 +000.5	+15.36 0191	-07.32	+02.67	+01.12	+04.56	+00.94
14	+03.57 +002.6	+04.02 +001.9	+02.15 +000.6	+14.48 0191	-06.98	+03.16	+01.08	+05.67	+01.04
15	+04.20 +003.6	+03.68 +003.0	+02.29 +000.8	+12.48 0191	-06.16	+03.35	+01.12	+06.84	+01.28
16	+04.79 +003.1	+03.35 +002.1	+02.46 +000.9	+11.83 0193	-07.28	+03.81	+01.30	+06.24	+01.39
17	+05.36 +003.8	+02.97 +003.0	+02.65 +001.0	+10.31 0193	-06.53	+04.01	+01.57	+06.84	+01.35
18	+06.02 +004.7	+02.53 +004.1	+02.91 +001.3	+09.95 0191	-05.29	+03.81	+01.71	+07.29	+01.64
19	+06.75 +005.1	+02.03 +004.7	+03.23 +001.4	+09.47 0190	-04.53	+03.16	+01.77	+07.34	+01.76
20	+07.37 +006.6	+01.66 +006.7	+03.45 +001.8	+09.05 0190	-03.66	+02.61	+01.74	+08.50	+02.07

21	+07.86 +006.3	+01.48 +006.9	+03.60 +001.6	+08.52 0191	-03.32	+02.42	+01.83	+07.64	+01.74
22	+08.44 +007.3	+01.20 +011.6	+03.75 +001.7	+08.03 0189	-02.22	+02.07	+01.78	+07.66	+01.75
23	+09.15 +007.8	+00.95 +015.7	+03.87 +001.8	+08.65 0188	-01.86	+01.96	+02.00	+08.60	+01.99
24	+09.83 +007.4	+00.82 +012.3	+03.95 +001.7	+07.81 0189	-02.05	+01.66	+01.92	+07.61	+01.60
25	+10.46 +008.5	+00.68 +014.2	+04.04 +002.0	+07.63 0188	-01.96	+01.73	+01.74	+08.47	+01.95
26	+11.10 +007.3	+00.54 +020.9	+04.15 +001.6	+08.11 0188	-01.26	+01.50	+01.69	+07.42	+01.57
27	+11.60 +007.5	+00.46 +016.0	+04.22 +001.6	+08.02 0189	-01.58	+01.36	+01.80	+07.56	+01.64
28	+12.38 +008.3	+00.27 +021.9	+04.32 +001.9	+08.02 0189	-01.32	+01.27	+01.87	+08.43	+01.91
29	+12.97 +007.8	+00.17 +046.1	+04.39 +001.6	+08.40 0189	+00.85	+00.74	+01.87	+08.11	+01.69
30	+13.71 +008.5	+00.23 +077.3	+04.40 +001.9	+08.12 0186	+00.39	+00.78	+01.67	+08.40	+01.86
31	+14.41 +007.4	+00.33 +069.8	+04.40 +001.6	+08.59 0188	-00.29	+00.75	+01.59	+07.76	+01.64

FILE:SL024

No.	Xcm DELxy	Ycm DElyz	Zcm DELzx	Um/s Navg	Vm/s	Wm/s	Su	Sv	Sw
1	-05.00 +001.9	+07.02 +071.5	+02.00 +000.4	+13.54 0095	+00.10	-00.32	+00.66	+02.29	+00.42
2	-04.50 +001.8	+07.03 +025.8	+01.99 +000.3	+13.64 0092	-00.53	-00.32	+00.66	+02.10	+00.38
3	-04.00 +001.8	+07.03 +034.6	+01.98 +000.3	+14.11 0095	-00.43	-00.37	+00.70	+02.22	+00.40
4	-03.51 +001.9	+07.04 +036.7	+01.97 +000.4	+14.06 0095	+00.29	-00.49	+00.77	+02.31	+00.45
5	-03.01 +001.8	+07.06 +047.2	+01.96 +000.4	+14.77 0095	-00.33	-00.34	+00.75	+02.35	+00.46
6	-02.52 +002.3	+07.07 +006.9	+01.95 +000.4	+14.85 0096	-01.33	-00.19	+00.87	+02.99	+00.46
7	-01.63 +001.7	+06.98 +004.8	+01.93 +000.4	+15.50 0095	-01.54	-00.14	+00.79	+02.25	+00.47
8	-01.14 +001.8	+06.94 +006.1	+01.93 +000.3	+15.75 0096	-01.17	-00.08	+00.76	+02.43	+00.48
9	-00.33 +002.1	+06.87 +002.5	+01.93 +000.4	+15.58 0096	-01.93	+00.06	+00.98	+02.96	+00.48
10	+00.35 +001.7	+06.77 +001.7	+01.94 +000.4	+15.95 0094	-02.86	+00.20	+00.92	+02.44	+00.55
11	+01.20 +002.3	+06.60 +001.4	+01.95 +000.4	+16.22 0095	-03.37	+00.51	+00.85	+03.37	+00.58
12	+01.87 +002.3	+06.44 +001.1	+01.97 +000.4	+15.90 0097	-04.57	+00.84	+00.87	+03.41	+00.55
13	+02.64 +002.1	+06.20 +001.2	+02.00 +000.4	+15.34 0094	-04.54	+00.99	+01.04	+03.05	+00.50
14	+03.40 +002.4	+05.95 +001.3	+02.05 +000.5	+14.17 0095	-05.06	+01.40	+01.15	+03.25	+00.65
15	+04.13 +002.9	+05.68 +002.2	+02.12 +000.6	+13.77 0097	-04.88	+01.75	+01.07	+03.95	+00.70
16	+04.85 +002.6	+05.43 +001.8	+02.21 +000.5	+13.27 0096	-05.37	+02.12	+01.02	+03.39	+00.62
17	+05.58 +003.2	+05.11 +002.0	+02.33 +000.8	+12.27 0095	-05.61	+02.33	+01.09	+03.99	+00.85
18	+06.30 +003.5	+04.75 +002.2	+02.48 +000.9	+12.00 0097	-06.31	+02.72	+01.03	+04.78	+01.01
19	+06.99 +004.3	+04.36 +003.5	+02.64 +001.1	+10.90 0096	-05.13	+02.73	+01.25	+05.03	+01.07
20	+07.68 +004.4	+04.01 +004.5	+02.82 +001.0	+10.85 0096	-04.42	+02.79	+01.18	+04.83	+00.97

21	+08.32 +004.7	+03.74 +005.2	+02.99 +001.1	+10.59 0095	-03.93	+02.57	+01.41	+04.91	+01.04
22	+08.89 +005.0	+03.54 +004.2	+03.13 +001.3	+10.50 0096	-04.54	+02.55	+01.27	+05.40	+01.24
23	+09.45 +005.3	+03.31 +004.9	+03.26 +001.5	+10.06 0095	-03.63	+02.22	+01.44	+05.19	+01.37
24	+10.23 +006.1	+03.02 +008.1	+03.41 +001.7	+10.04 0095	-02.59	+01.84	+01.67	+05.64	+01.55
25	+10.99 +006.7	+02.77 +004.3	+03.51 +002.0	+09.10 0094	-04.09	+01.91	+01.46	+06.36	+01.65
26	+11.54 +006.9	+02.49 +009.9	+03.61 +001.6	+09.51 0094	-02.27	+01.31	+01.96	+06.00	+01.35
27	+12.28 +007.4	+02.30 +011.7	+03.67 +002.0	+09.18 0095	-01.96	+01.27	+01.45	+06.19	+01.60
28	+13.00 +007.3	+02.09 +004.1	+03.72 +002.1	+08.70 0095	-03.30	+01.25	+01.69	+06.27	+01.62
29	+13.51 +006.8	+01.90 +003.4	+03.76 +002.0	+09.28 0093	-03.60	+01.23	+01.78	+06.22	+01.62
30	+14.21 +008.6	+01.55 +003.4	+03.80 +002.7	+08.67 0095	-03.22	+00.74	+01.42	+07.33	+02.04

FILE:SL025

No.	Xcm DELxy	Ycm DELyz	Zcm DELzx	Um/s Navg	Vm/s	Wm/s	Su	Sv	Sw
1	-00.01 +006.5	+00.00 +002.0	+05.01 +000.4	-01.73 0094	+07.28	+81.68	+02.93	+13.89	+04.23
2	-00.03 +005.9	+00.09 +002.4	+06.00 +000.3	-01.96 0094	+08.20	+80.33	+02.30	+16.25	+04.02
3	-00.04 +003.3	+00.22 +002.7	+06.99 +000.5	-00.96 0095	+12.24	+79.37	+03.20	+18.63	+05.27
4	-00.05 +003.6	+00.38 +002.6	+07.97 +000.4	+00.19 0096	+08.85	+81.44	+02.76	+18.26	+04.98
5	-00.04 +002.9	+00.51 +002.2	+08.96 +000.3	-00.21 0094	+08.77	+81.93	+02.20	+15.86	+04.16
6	-00.05 +002.9	+00.62 +002.3	+09.95 +000.5	+01.56 0095	+15.60	+80.79	+03.58	+15.96	+03.85
7	+00.06 +010.9	+01.14 +003.2	+12.76 +000.7	+05.44 0095	+10.60	+81.67	+05.11	+22.32	+04.97
8	+00.28 +011.0	+01.50 +004.0	+15.23 +001.0	+07.84 0095	+13.77	+80.18	+07.10	+27.81	+06.35
9	+00.52 +012.2	+01.90 +005.6	+17.36 +001.0	+09.16 0095	+16.23	+76.05	+06.78	+37.75	+07.98
10	+00.79 +007.2	+02.34 +005.7	+19.33 +001.3	+10.04 0095	+24.32	+70.26	+07.82	+37.51	+08.00
11	+01.18 +008.1	+03.15 +007.9	+21.65 +001.5	+08.80 0097	+24.34	+63.95	+08.55	+47.65	+09.68

FILE:SL026

No.	Xcm DELxy	Ycm DELyz	Zcm DELzx	Um/s Navg	Vm/s	Wm/s	Su	Sv	Sw
1	-04.99 +003.5	-05.98 +032.7	+05.00 +000.8	+12.53 0047	-00.73	-01.01	+02.46	+02.77	+00.56
2	-04.59 +003.7	-06.01 +041.8	+04.97 +000.9	+14.23 0048	-00.35	-01.24	+00.88	+03.24	+00.74
3	-04.20 +003.2	-06.02 +033.9	+04.94 +000.7	+14.65 0048	-00.74	-01.03	+00.52	+02.95	+00.60
4	-03.81 +002.9	-06.03 +024.0	+04.92 +000.7	+14.89 0048	-00.97	-01.29	+00.79	+02.61	+00.65
5	-03.42 +003.0	-06.06 +028.2	+04.89 +000.8	+15.41 0047	-00.93	-01.28	+00.60	+02.90	+00.75
6	-03.03 +003.1	-06.06 +029.0	+04.86 +000.8	+15.77 0046	-00.91	-01.29	+00.76	+03.00	+00.72
7	-02.29 +003.1	-06.07 +039.7	+04.80 +000.7	+16.42 0049	-00.57	-01.12	+00.79	+03.19	+00.74
8	-01.62 +002.5	-06.05 +040.7	+04.76 +000.7	+17.08 0048	-00.25	-01.05	+00.82	+02.63	+00.74
9	-01.23 +003.2	-06.04 +048.5	+04.74 +000.7	+17.78 0047	-00.19	-01.15	+01.36	+03.39	+00.80
10	-00.24 +002.8	-06.05 +006.2	+04.68 +000.6	+19.08 0047	+02.26	-00.99	+01.10	+03.35	+00.75
11	+00.75 +002.8	-05.92 +003.0	+04.64 +000.8	+19.40 0049	+04.18	-00.34	+00.99	+03.49	+01.02
12	+01.58 +002.7	-05.73 +005.8	+04.64 +000.7	+19.23 0047	+04.05	+00.89	+01.29	+03.25	+00.85
13	+02.35 +002.5	-05.55 +003.4	+04.68 +000.7	+18.78 0047	+06.46	+01.45	+01.41	+03.21	+00.77
14	+03.07 +002.8	-05.27 +004.6	+04.75 +000.8	+17.26 0047	+06.63	+02.75	+00.95	+03.38	+00.87
15	+03.79 +003.7	-04.95 +005.0	+04.87 +000.9	+15.46 0048	+07.07	+03.53	+01.08	+04.21	+00.85
16	+04.45 +003.2	-04.63 +004.2	+05.04 +001.0	+14.15 0048	+08.16	+03.99	+00.87	+03.77	+00.90
17	+05.19 +004.9	-04.17 +006.8	+05.28 +001.4	+12.42 0048	+07.16	+04.98	+00.93	+04.91	+01.22
18	+05.85 +004.8	-03.78 +006.5	+05.57 +001.5	+10.91 0048	+07.19	+05.19	+00.64	+04.64	+01.15
19	+06.52 +007.9	-03.32 +011.3	+05.93 +002.0	+09.39 0048	+04.85	+05.71	+01.17	+05.84	+01.46
20	+07.12 +007.2	-02.96 +009.5	+06.33 +002.1	+08.92 0047	+05.86	+05.88	+01.38	+05.50	+01.44

21	+07.64 +008.1	-02.61 +010.3	+06.70 +002.1	+08.50 0046	+05.15	+06.01	+01.34	+05.64	+01.34
22	+08.20 +006.8	-02.23 +008.3	+07.13 +001.7	+07.87 0088	+05.33	+05.99	+01.24	+06.20	+01.25
23	+08.72 +009.6	-01.87 +011.3	+07.56 +002.4	+07.21 0048	+04.65	+05.99	+01.64	+05.99	+01.17
24	+09.24 +008.6	-01.53 +010.2	+08.00 +002.1	+07.08 0089	+04.88	+05.76	+01.40	+06.69	+01.42
25	+09.76 +009.6	-01.14 +011.9	+08.44 +001.7	+06.97 0130	+02.36	+05.79	+01.30	+07.31	+01.47
26	+10.31 +009.3	-00.92 +011.2	+08.92 +001.5	+06.60 0126	+01.41	+05.98	+01.22	+05.70	+01.32
27	+10.96 +008.8	-00.80 +010.0	+09.49 +001.5	+06.25 0209	+02.33	+05.75	+01.18	+07.10	+01.36
28	+11.64 +009.8	-00.59 +010.9	+10.11 +001.6	+06.25 0158	+01.33	+05.89	+01.39	+06.04	+01.09
29	+12.31 +009.5	-00.49 +010.1	+10.73 +001.6	+06.09 0165	+01.62	+06.00	+01.45	+06.19	+01.38
30	+12.91 +009.7	-00.33 +011.4	+11.32 +001.5	+06.33 0163	+01.14	+05.53	+01.02	+06.34	+01.18
31	+13.35 +009.6	-00.22 +011.3	+11.71 +001.4	+06.38 0165	+01.89	+05.66	+01.22	+06.69	+01.13
32	+13.98 +008.8	-00.03 +010.1	+12.29 +001.3	+06.55 0199	+00.23	+05.87	+01.04	+06.35	+01.35
33	+14.80 +009.4	+00.02 +011.2	+13.03 +001.4	+06.42 0208	+00.21	+05.52	+01.45	+06.38	+01.16

FILE:SL027

No.	Xcm DELxy	Ycm DELyz	Zcm DELzx	Um/s Navg	Vm/s	Wm/s	Su	Sv	Sw
1	-04.99 +003.4	-04.99 +021.7	+04.99 +001.0	+13.52 0047	-01.35	-00.97	+00.44	+02.80	+00.79
2	-04.50 +002.6	-05.04 +016.8	+04.96 +000.6	+13.92 0047	-01.25	-01.30	+00.54	+02.23	+00.48
3	-04.01 +003.0	-05.09 +015.0	+04.92 +000.7	+14.26 0048	-01.75	-01.23	+00.51	+02.65	+00.64
4	-03.53 +002.6	-05.16 +011.1	+04.88 +000.7	+14.98 0048	-02.18	-01.37	+00.81	+02.48	+00.61
5	-03.04 +002.6	-05.22 +012.8	+04.84 +000.6	+15.59 0046	-01.90	-01.31	+00.54	+02.47	+00.57
6	-02.56 +003.1	-05.29 +022.5	+04.80 +000.8	+16.11 0047	-01.31	-01.46	+00.73	+03.07	+00.77
7	-01.57 +002.8	-05.37 +018.8	+04.72 +000.6	+17.64 0048	-01.58	-01.26	+00.82	+03.11	+00.69
8	-00.87 +002.3	-05.42 +013.6	+04.67 +000.5	+19.04 0048	+01.34	-01.25	+00.71	+02.72	+00.62
9	-00.01 +003.0	-05.35 +005.4	+04.63 +000.8	+20.35 0047	+01.92	-00.66	+01.30	+03.76	+01.00
10	+00.73 +002.9	-05.25 +006.1	+04.61 +000.8	+20.05 0048	+03.27	+00.27	+01.19	+03.66	+00.97
11	+01.44 +002.8	-05.12 +004.4	+04.63 +000.8	+20.45 0048	+05.57	+00.95	+02.31	+03.63	+01.00
12	+02.10 +003.0	-04.92 +004.4	+04.67 +000.9	+19.26 0048	+06.93	+01.84	+01.39	+04.03	+01.02
13	+02.77 +003.7	-04.64 +004.9	+04.74 +001.0	+17.47 0047	+07.91	+03.03	+01.24	+04.74	+01.08
14	+03.38 +004.2	-04.32 +006.0	+04.85 +001.4	+15.23 0048	+07.76	+03.81	+01.20	+04.90	+01.32
15	+03.97 +004.5	-03.97 +006.0	+05.01 +001.4	+13.74 0048	+08.54	+05.00	+00.96	+05.23	+01.34
16	+04.50 +004.9	-03.60 +006.1	+05.21 +001.6	+11.86 0049	+08.54	+05.52	+01.21	+05.43	+01.30
17	+05.09 +005.7	-03.18 +007.5	+05.51 +001.5	+10.15 0048	+06.69	+06.17	+00.90	+05.10	+01.16
18	+05.63 +007.0	-02.78 +008.3	+05.89 +001.7	+08.97 0048	+06.64	+06.54	+01.12	+05.88	+01.18
19	+06.09 +008.6	-02.43 +010.2	+06.28 +002.2	+07.93 0048	+05.04	+06.85	+01.47	+05.85	+01.40
20	+06.52 +008.3	-02.13 +009.3	+06.69 +002.0	+06.80 0087	+04.99	+07.29	+01.08	+06.11	+01.37

21	+07.06 +008.1	-01.79 +008.4	+07.23 +001.7	+06.10 0133	+04.27	+07.12	+01.28	+07.09	+01.67
22	+07.54 +009.0	-01.50 +009.9	+07.77 +002.2	+06.06 0088	+05.12	+07.11	+01.60	+07.87	+01.47
23	+07.97 +008.9	-01.15 +009.1	+08.27 +001.8	+05.30 0128	+04.55	+07.10	+01.27	+07.76	+01.53
24	+08.26 +010.7	-00.88 +009.6	+08.68 +001.4	+05.15 0189	+03.13	+06.86	+01.29	+09.16	+01.78
25	+08.71 +008.7	-00.54 +007.8	+09.32 +001.6	+04.66 0190	+03.79	+07.15	+01.76	+08.02	+01.67
26	+09.03 +014.8	-00.24 +010.4	+09.85 +001.5	+04.53 0189	+01.69	+07.37	+01.57	+09.46	+01.76
27	+09.39 +011.7	-00.07 +006.9	+10.50 +001.1	+04.21 0337	+01.05	+07.84	+01.23	+07.64	+01.50
28	+09.74 +017.4	+00.01 +010.0	+11.17 +001.5	+04.01 0189	+01.48	+07.84	+01.53	+09.71	+01.80
29	+10.05 +023.0	+00.08 +010.0	+11.81 +001.6	+03.47 0188	+00.31	+08.21	+01.63	+09.91	+02.05
30	+10.30 +019.8	+00.07 +009.6	+12.42 +001.4	+03.44 0189	+01.49	+08.45	+01.55	+09.92	+01.91
31	+10.51 +026.5	+00.17 +009.8	+12.96 +001.4	+03.26 0189	-00.08	+08.74	+01.56	+10.59	+02.09
32	+10.67 +020.6	+00.17 +008.7	+13.43 +001.6	+03.23 0187	+01.14	+08.58	+01.82	+09.03	+01.90
33	+10.91 +032.5	+00.26 +008.4	+14.16 +001.4	+02.40 0189	+00.26	+09.61	+01.70	+09.74	+02.12
34	+11.05 +040.3	+00.28 +008.9	+14.82 +001.5	+02.06 0186	+00.49	+09.97	+01.85	+10.68	+02.34
35	+11.18 +068.2	+00.32 +007.9	+15.58 +001.4	+01.07 0189	+00.31	+10.24	+01.79	+09.78	+02.05
36	+11.21 +082.8	+00.33 +007.8	+16.17 +001.4	+00.80 0188	+00.46	+11.31	+01.98	+10.70	+02.53
37	+11.23 +020.8	+00.37 +008.3	+16.88 +001.1	-00.01 0187	+00.61	+11.52	+01.54	+11.64	+02.45
38	+11.20 +036.4	+00.40 +007.6	+17.37 +001.3	-01.20 0190	-01.38	+12.91	+02.03	+12.19	+02.60
39	+11.14 +040.8	+00.33 +006.9	+18.03 +001.2	-01.77 0186	+00.84	+12.80	+01.86	+10.68	+02.36
40	+11.02 +034.6	+00.37 +006.9	+18.76 +001.3	-02.83 0191	+00.37	+14.42	+02.26	+12.19	+02.79
41	+10.90 +025.8	+00.38 +007.1	+19.33 +001.3	-04.27 0189	-00.30	+15.53	+02.59	+13.49	+03.22
42	+10.72 +028.5	+00.39 +009.1	+19.96 +001.6	-05.19 0094	-01.43	+17.06	+02.46	+13.72	+03.06

43	+10.49 +029.9	+00.35 +009.3	+20.66 +001.7	-05.14 0095	-01.04	+17.13	+02.70	+13.87	+02.80
44	+10.27 +021.2	+00.32 +009.1	+21.34 +001.8	-06.97 0095	+01.77	+17.52	+02.99	+13.58	+03.19
45	+10.05 +021.6	+00.36 +009.8	+21.92 +001.8	-07.74 0096	+01.44	+17.75	+02.79	+15.08	+03.84
46	+09.82 +016.8	+00.42 +007.1	+22.44 +001.3	-07.57 0171	+00.98	+18.50	+02.40	+12.96	+02.92
47	+09.53 +017.1	+00.49 +007.9	+23.15 +001.4	-07.30 0179	+02.76	+18.11	+02.79	+15.16	+03.12
48	+09.25 +020.0	+00.65 +008.0	+23.85 +001.3	-07.40 0175	+01.11	+18.68	+02.37	+15.47	+04.10
49	+09.06 +012.1	+00.69 +007.9	+24.35 +001.3	-06.77 0167	+05.84	+17.80	+02.31	+15.01	+03.12

FILE'SL028

No.	Xcm DELx _y	Ycm DELy _z	Zcm DELz _x	Um/s Navg	Vm/s	Wm/s	Su	Sv	Sw
1	-04.99 +003.2	-03.99 +014.7	+05.01 +000.9	+13.27 0047	-01.89	-01.39	+00.42	+02.69	+00.71
2	-04.60 +003.3	-04.04 +015.7	+04.96 +000.8	+13.49 0048	-01.75	-01.41	+00.61	+02.78	+00.69
3	-04.21 +003.2	-04.09 +018.3	+04.93 +000.8	+13.56 0048	-01.37	-01.56	+00.71	+02.63	+00.69
4	-03.83 +003.3	-04.14 +013.9	+04.89 +000.9	+13.81 0049	-02.10	-01.64	+00.60	+02.89	+00.76
5	-03.45 +003.2	-04.18 +008.8	+04.85 +000.7	+14.60 0047	-03.17	-01.66	+00.97	+03.08	+00.65
6	-03.07 +002.9	-04.26 +012.9	+04.81 +000.7	+15.01 0047	-02.07	-01.73	+00.92	+02.71	+00.65
7	-02.48 +003.8	-04.36 +016.0	+04.74 +001.0	+16.16 0047	-02.38	-01.83	+00.83	+03.87	+00.95
8	-02.03 +003.4	-04.42 +026.2	+04.70 +000.9	+17.69 0047	-00.42	-02.29	+00.89	+03.68	+00.98
9	-01.64 +003.5	-04.43 +009.7	+04.65 +000.9	+18.74 0048	-03.78	-01.48	+00.97	+04.27	+01.08
10	-01.07 +004.0	-04.52 +029.8	+04.61 +001.0	+20.46 0048	+01.02	-01.96	+00.95	+05.10	+01.33
11	-00.68 +004.5	-04.51 +042.0	+04.57 +001.3	+21.30 0049	+00.87	-01.45	+01.34	+05.98	+01.66
12	-00.09 +003.8	-04.46 +015.6	+04.54 +001.1	+23.12 0047	+01.75	-01.13	+01.62	+05.42	+01.47
13	+00.46 +004.4	-04.41 +005.6	+04.53 +001.4	+23.42 0048	+04.74	-00.29	+01.63	+06.67	+02.00
14	+00.98 +004.9	-04.29 +005.9	+04.53 +001.3	+23.91 0048	+05.92	+00.24	+01.61	+07.56	+01.91
15	+01.43 +004.3	-04.16 +006.2	+04.54 +001.1	+21.83 0049	+07.22	+01.86	+01.60	+06.46	+01.51
16	+01.92 +003.6	-03.96 +005.4	+04.58 +001.0	+21.32 0047	+08.44	+03.19	+01.98	+05.23	+01.36
17	+02.39 +004.2	-03.74 +006.0	+04.66 +001.4	+19.03 0048	+09.53	+04.55	+01.23	+06.11	+01.63
18	+02.85 +004.5	-03.50 +005.8	+04.78 +001.4	+16.08 0047	+09.73	+05.54	+01.45	+05.83	+01.45
19	+03.34 +003.5	-03.19 +003.6	+04.97 +001.7	+13.15 0047	+14.39	+06.00	+01.56	+05.89	+01.45
20	+03.86 +005.5	-02.80 +006.4	+05.19 +002.1	+10.39 0048	+11.68	+07.41	+01.22	+07.79	+01.79

21	+04.12 +005.4	-02.46 +006.6	+05.39 +002.0	+08.48 0047	+10.97	+08.18	+01.15	+07.34	+01.66
22	+04.34 +005.9	-02.12 +007.5	+05.62 +002.6	+07.04 0047	+09.93	+07.54	+01.47	+07.29	+01.85
23	+04.60 +007.2	-01.68 +009.3	+05.93 +002.7	+05.55 0048	+08.93	+08.52	+01.46	+08.47	+02.12
24	+04.82 +009.1	-01.23 +009.1	+06.31 +001.9	+03.87 0086	+05.51	+09.23	+01.22	+07.63	+01.95
25	+04.90 +004.2	-01.02 +007.1	+06.56 +002.1	+03.16 0083	+09.10	+08.79	+01.25	+07.92	+01.46
26	+05.01 +005.9	-00.62 +007.5	+06.92 +001.3	+02.32 0173	+05.53	+09.19	+01.08	+09.11	+02.12
27	+05.06 +016.0	-00.37 +008.2	+07.25 +001.1	+01.56 0169	+02.37	+09.83	+01.04	+08.29	+01.57
28	+05.08 +007.0	-00.27 +007.9	+07.57 +001.0	+01.00 0166	+03.48	+10.20	+00.98	+08.43	+01.73
29	+05.09 +008.5	-00.17 +007.2	+07.84 +000.8	+00.60 0164	+02.39	+10.75	+00.85	+08.21	+01.39
30	+05.09 +012.2	-00.12 +007.6	+08.16 +001.2	-00.46 0167	+01.87	+11.08	+01.31	+08.72	+01.56
31	+05.05 +028.4	-00.08 +006.8	+08.45 +001.0	-00.94 0167	+01.37	+12.10	+01.09	+07.83	+01.67
32	+05.04 +015.0	-00.06 +009.0	+08.70 +001.4	-01.48 0094	+03.04	+12.13	+01.49	+09.58	+02.19
33	+05.01 +039.1	+00.01 +007.4	+08.99 +001.1	-02.38 0172	+00.20	+12.73	+01.35	+09.59	+01.85
34	+04.97 +024.6	+00.04 +009.2	+09.27 +001.7	-03.20 0094	+02.32	+13.03	+01.99	+10.31	+02.25
35	+04.86 +020.0	+00.15 +007.4	+09.71 +001.3	-04.74 0172	+01.35	+13.95	+01.79	+09.83	+02.16
36	+04.72 +019.8	+00.21 +008.9	+10.08 +001.6	-05.88 0094	+02.30	+14.99	+02.20	+11.56	+02.69
37	+04.54 +018.1	+00.29 +008.3	+10.50 +001.4	-07.63 0094	+00.04	+16.68	+02.14	+11.96	+02.63
38	+04.36 +018.3	+00.29 +009.9	+10.88 +002.0	-09.13 0096	+01.17	+17.11	+03.48	+14.62	+03.29
39	+04.12 +016.8	+00.30 +009.2	+11.32 +001.6	-09.88 0095	-00.70	+18.30	+02.81	+14.54	+03.33
40	+03.94 +016.5	+00.30 +009.6	+11.65 +001.8	-10.94 0096	+00.13	+18.72	+03.36	+15.73	+03.69
41	+03.69 +015.7	+00.31 +009.5	+12.08 +001.5	-11.38 0095	-04.65	+20.39	+02.83	+18.24	+03.83
42	+03.52 +016.4	+00.24 +009.2	+12.40 +001.9	-10.78 0094	-04.62	+20.40	+03.63	+17.74	+04.03

43	+03.33 +012.7	+00.16 +008.2	+12.76 +001.3	-11.90 0176	+02.44	+19.58	+02.99	+16.24	+03.89
44	+03.07 +012.0	+00.21 +008.5	+13.22 +001.5	-11.64 0175	+06.12	+19.85	+03.50	+19.17	+04.65
45	+02.92 +015.1	+00.30 +008.4	+13.51 +001.5	-11.56 0177	+01.55	+21.41	+03.94	+18.59	+04.51
46	+02.70 +017.1	+00.39 +008.2	+13.93 +001.6	-11.63 0176	-01.55	+24.78	+04.34	+23.05	+05.53

FILE: SLO29

No.	Xcm DELxy	Ycm DELyz	Zcm DELzx	Um/s Navg	Vm/s	Wm/s	Su	Sv	Sw
1	-04.99 +003.2	-03.00 +011.0	+05.01 +000.9	+12.59 0048	-02.34	-01.41	+00.56	+02.55	+00.70
2	-04.60 +004.0	-03.08 +008.9	+04.96 +001.2	+12.68 0048	-03.33	-01.23	+00.59	+03.33	+00.92
3	-04.23 +004.1	-03.19 +013.8	+04.93 +001.0	+12.76 0048	-02.34	-01.67	+00.65	+03.27	+00.81
4	-03.84 +003.7	-03.27 +009.6	+04.89 +000.9	+13.06 0048	-03.12	-01.78	+00.67	+03.13	+00.77
5	-03.47 +004.1	-03.34 +012.0	+04.84 +001.1	+13.33 0048	-02.88	-02.02	+00.73	+03.47	+00.92
6	-03.10 +003.7	-03.42 +006.0	+04.79 +001.1	+13.93 0047	-05.06	-01.85	+00.92	+03.51	+00.94
7	-02.44 +004.6	-03.64 +007.9	+04.70 +001.1	+15.63 0047	-05.07	-01.91	+01.00	+04.86	+01.09
8	-02.00 +005.5	-03.80 +016.5	+04.64 +001.4	+17.20 0047	-03.65	-02.78	+01.15	+06.10	+01.46
9	-01.61 +005.2	-03.89 +029.6	+04.58 +001.5	+18.91 0047	-02.08	-02.17	+01.04	+06.07	+01.76
10	-01.23 +005.3	-03.92 +033.6	+04.54 +001.3	+19.99 0046	-01.82	-02.18	+01.38	+06.34	+01.63
11	-00.69 +005.1	-03.96 +048.4	+04.49 +001.2	+22.69 0046	-01.48	-01.43	+01.40	+07.09	+01.72
12	-00.18 +006.8	-03.96 +020.7	+04.47 +001.8	+25.60 0048	+02.53	-01.56	+02.48	+10.79	+02.92
13	+00.26 +008.2	-03.90 +008.1	+04.45 +002.1	+25.78 0048	+04.21	-01.21	+02.53	+13.30	+03.33
14	+00.78 +006.3	-03.80 +010.2	+04.44 +001.5	+26.43 0047	+06.41	+01.10	+02.31	+10.79	+02.48
15	+01.28 +007.0	-03.65 +008.1	+04.47 +002.1	+26.17 0047	+11.18	+02.27	+02.50	+13.31	+03.35
16	+01.75 +007.1	-03.40 +008.9	+04.51 +002.3	+24.44 0048	+13.57	+04.86	+03.02	+13.81	+03.68
17	+02.18 +007.4	-03.11 +007.1	+04.60 +002.5	+19.31 0047	+16.69	+06.53	+02.84	+15.20	+03.05
18	+02.54 +007.7	-02.75 +009.3	+04.73 +002.8	+16.07 0048	+13.96	+09.79	+03.05	+13.09	+03.32
19	+02.90 +005.6	-02.39 +006.6	+04.94 +002.9	+11.27 0049	+17.89	+10.41	+02.80	+13.15	+02.74
20	+03.18 +004.2	-01.99 +007.4	+05.21 +003.2	+04.93 0048	+16.17	+10.93	+02.32	+12.66	+02.77

21	+03.30 +003.5	-01.60 +007.5	+05.50 +001.9	+02.22 0087	+10.48	+12.95	+02.02	+10.27	+02.24
22	+03.32 +002.6	-01.08 +008.1	+06.01 +001.8	-01.19 0128	+11.08	+13.94	+02.36	+13.40	+02.82
23	+03.16 +013.7	-00.61 +009.7	+06.51 +001.8	-04.69 0175	+05.74	+15.15	+03.00	+16.07	+03.43
24	+02.95 +015.2	-00.42 +009.8	+06.93 +001.7	-07.17 0168	+04.51	+16.04	+03.53	+16.02	+03.22
25	+02.74 +019.9	-00.30 +010.4	+07.31 +001.4	-09.26 0172	+01.43	+19.83	+03.22	+22.30	+04.66
26	+02.53 +019.2	-00.30 +009.9	+07.69 +001.5	-09.73 0173	+04.84	+23.41	+03.88	+26.25	+06.32
27	+02.33 +017.7	-00.27 +009.4	+08.12 +001.5	-10.98 0183	+06.45	+27.10	+04.91	+29.80	+06.88

FILE: SLO30

No.	Xcm DELxy	Ycm DELyz	Zcm DELzx	Um/s Navg	Vm/s	Wm/s	Su	Sv	Sw
1	-04.99 +003.1	-03.00 +016.6	+05.01 +000.7	+12.38 0048	-01.32	-01.51	+00.63	+02.38	+00.54
2	-04.59 +003.1	-03.05 +010.4	+04.96 +000.8	+12.34 0047	-02.29	-01.50	+00.73	+02.38	+00.60
3	-04.21 +003.5	-03.10 +009.9	+04.91 +000.9	+12.32 0048	-02.67	-01.59	+00.71	+02.77	+00.65
4	-03.84 +003.4	-03.20 +007.1	+04.87 +001.0	+13.10 0047	-03.77	-01.64	+00.83	+02.94	+00.79
5	-03.46 +003.9	-03.30 +009.5	+04.83 +001.0	+12.95 0048	-03.21	-01.74	+01.08	+03.26	+00.78
6	-03.09 +004.2	-03.40 +007.4	+04.78 +001.2	+13.66 0048	-04.62	-01.84	+01.01	+03.90	+01.02
7	-02.42 +005.1	-03.63 +016.4	+04.69 +001.3	+15.69 0048	-03.04	-02.29	+01.04	+05.14	+01.22
8	-01.86 +005.2	-03.76 +013.5	+04.61 +001.4	+17.29 0048	-04.18	-02.26	+01.94	+05.83	+01.52
9	-01.47 +006.1	-03.87 +018.0	+04.56 +001.6	+19.44 0047	-04.04	-02.16	+01.20	+07.69	+01.87
10	-01.05 +006.4	-03.97 +052.5	+04.52 +001.7	+20.84 0047	-01.15	-02.25	+01.20	+08.20	+02.19
11	-00.46 +006.6	-03.98 +036.1	+04.47 +001.6	+23.41 0048	+01.86	-02.37	+02.41	+09.75	+02.28
12	+00.07 +007.3	-03.92 +031.7	+04.42 +001.6	+25.47 0047	+01.38	-00.54	+01.83	+11.41	+02.50
13	+00.57 +006.4	-03.87 +005.1	+04.42 +001.8	+26.54 0048	+08.19	-00.42	+02.62	+11.48	+03.00
14	+01.01 +007.5	-03.72 +012.4	+04.42 +002.0	+26.67 0048	+07.87	+01.97	+02.15	+13.43	+03.28
15	+01.50 +008.0	-03.54 +014.8	+04.46 +002.2	+23.56 0047	+08.38	+04.37	+02.60	+12.75	+03.34
16	+01.97 +008.4	-03.32 +011.6	+04.56 +002.1	+21.56 0048	+10.44	+05.30	+02.32	+13.60	+02.97
17	+02.39 +006.9	-03.07 +007.9	+04.68 +002.4	+17.52 0048	+13.54	+06.79	+02.47	+11.57	+02.83
18	+02.80 +006.3	-02.76 +007.1	+04.85 +002.2	+13.90 0048	+13.21	+09.22	+02.90	+09.83	+02.02
19	+03.21 +007.2	-02.40 +008.1	+05.17 +002.7	+08.94 0048	+09.84	+10.12	+02.45	+08.34	+01.94
20	+03.51 +005.7	-01.98 +008.0	+05.57 +002.9	+05.26 0047	+11.80	+10.83	+02.18	+09.95	+01.97

21	+03.67 +005.5	-01.65 +009.9	+05.91 +002.9	+03.47 0048	+10.99	+11.46	+02.05	+11.25	+02.74
22	+03.75 +002.2	-01.22 +007.2	+06.36 +003.0	+00.26 0048	+15.03	+10.96	+02.02	+11.36	+02.42
23	+03.71 +005.3	-00.76 +009.8	+06.72 +001.6	-01.80 0086	+07.35	+13.18	+01.71	+10.59	+02.66
24	+03.59 +015.2	-00.40 +008.8	+07.20 +001.6	-04.05 0132	+04.32	+13.99	+02.01	+13.21	+02.95
25	+03.40 +011.1	-00.21 +007.9	+07.65 +001.6	-06.46 0125	+05.84	+14.53	+02.50	+10.89	+02.71
26	+03.19 +019.7	-00.03 +010.3	+08.05 +001.6	-07.51 0142	+02.69	+16.25	+02.90	+17.64	+03.83
27	+02.96 +017.0	+00.02 +009.3	+08.50 +001.8	-08.85 0143	+03.00	+17.93	+03.74	+17.60	+04.51
28	+02.73 +014.9	+00.08 +007.3	+08.95 +001.3	-10.22 0274	+00.92	+20.30	+03.93	+19.42	+04.81

FILE:SL031

No.	Xcm DELxy	Ycm DELYz	Zcm DELzx	Um/s Navg	Vm/s	Wm/s	Su	Sv	Sw
1	-04.99 +004.3	-01.98 +030.5	+05.00 +001.0	+10.73 0047	-00.44	-01.47	+00.98	+02.81	+00.67
2	-04.79 +004.8	-01.99 +019.6	+04.97 +001.2	+10.69 0047	-01.65	-01.40	+00.82	+03.24	+00.81
3	-04.61 +005.1	-02.01 +017.8	+04.95 +001.2	+10.80 0048	-01.89	-01.49	+01.15	+03.52	+00.78
4	-04.42 +004.5	-02.04 +008.5	+04.93 +001.1	+10.75 0047	-03.26	-01.36	+01.37	+03.25	+00.72
5	-04.24 +004.7	-02.09 +014.4	+04.90 +001.3	+10.74 0048	-02.26	-01.46	+01.34	+03.26	+00.84
6	-04.06 +004.6	-02.13 +011.9	+04.88 +001.1	+10.97 0048	-02.60	-01.56	+01.18	+03.28	+00.76
7	-03.64 +006.7	-02.23 +017.0	+04.82 +001.9	+10.72 0048	-02.75	-01.81	+01.35	+04.72	+01.23
8	-03.33 +007.3	-02.32 +021.2	+04.77 +002.1	+11.11 0048	-02.56	-02.18	+01.31	+05.26	+01.44
9	-03.07 +006.3	-02.38 +006.3	+04.72 +002.0	+11.15 0048	-06.38	-01.52	+01.78	+05.83	+01.36
10	-02.60 +008.2	-02.62 +015.3	+04.65 +002.5	+11.50 0088	-04.30	-02.60	+02.41	+08.60	+02.53
11	-02.39 +010.1	-02.71 +020.5	+04.61 +003.1	+12.99 0047	-04.40	-02.50	+02.38	+08.89	+02.48
12	-02.08 +009.8	-02.82 +007.9	+04.55 +003.5	+14.56 0047	-08.82	-01.02	+02.75	+11.84	+03.12
13	-01.88 +008.3	-02.92 +009.2	+04.54 +002.8	+15.02 0088	-07.35	-01.54	+01.95	+11.88	+03.26
14	-01.41 +007.7	-03.15 +005.7	+04.50 +002.7	+18.49 0086	-10.58	-00.75	+02.58	+13.95	+03.81
15	-01.01 +008.1	-03.37 +007.8	+04.50 +002.6	+21.19 0086	-08.38	-00.55	+02.13	+14.18	+03.91
16	-00.68 +009.3	-03.51 +006.0	+04.50 +002.9	+23.16 0047	-08.71	+00.60	+02.24	+15.09	+04.07
17	-00.43 +008.8	-03.60 +013.2	+04.51 +002.5	+23.29 0048	-05.10	-00.22	+03.32	+13.27	+03.61
18	+00.03 +010.1	-03.71 +019.6	+04.51 +003.0	+25.76 0047	+03.09	-01.68	+02.31	+15.99	+04.75
19	+00.25 +008.3	-03.68 +034.2	+04.50 +002.1	+27.47 0046	-01.66	+00.78	+03.28	+13.81	+03.47
20	+00.58 +008.8	-03.69 +164.1	+04.51 +002.0	+27.27 0048	+00.22	+01.46	+02.38	+14.76	+03.41

21	+00.90 +008.2	-03.66 +007.2	+04.52 +002.1	+26.05 0048	+09.25	+00.56	+03.49	+14.87	+03.34
22	+01.14 +008.5	-03.55 +020.4	+04.53 +002.2	+25.91 0048	+06.73	+03.44	+03.11	+14.39	+03.67
23	+01.45 +010.1	-03.45 +018.1	+04.57 +003.0	+24.72 0048	+08.79	+03.57	+03.59	+17.33	+04.63
24	+01.74 +007.7	-03.31 +010.0	+04.62 +002.4	+23.64 0048	+12.18	+04.63	+03.95	+14.23	+03.60
25	+01.96 +008.3	-03.17 +017.7	+04.66 +002.2	+22.53 0048	+07.10	+07.08	+02.68	+12.62	+03.22
26	+02.20 +008.3	-03.08 +010.9	+04.75 +003.4	+19.31 0047	+13.04	+06.55	+02.15	+14.03	+04.31
27	+02.42 +007.6	-02.94 +009.0	+04.83 +002.9	+16.24 0048	+13.70	+07.37	+02.93	+12.93	+03.23
28	+02.59 +007.5	-02.82 +008.8	+04.92 +002.6	+13.42 0047	+11.41	+08.13	+02.85	+10.20	+02.36
29	+02.85 +007.2	-02.59 +008.7	+05.09 +002.4	+11.20 0047	+10.71	+09.66	+02.21	+09.17	+02.28
30	+03.06 +006.3	-02.35 +007.6	+05.26 +002.0	+07.49 0089	+09.89	+10.70	+01.74	+09.83	+02.34
31	+03.22 +006.6	-02.02 +009.4	+05.54 +003.2	+05.08 0048	+11.55	+11.33	+02.37	+11.19	+02.76
32	+03.32 +004.5	-01.70 +010.2	+05.82 +003.8	+01.71 0049	+11.94	+11.79	+02.89	+12.26	+03.14
33	+03.33 +003.4	-01.38 +008.1	+06.12 +002.3	-00.49 0085	+09.52	+13.66	+02.46	+10.15	+02.62
34	+03.29 +005.5	-01.11 +009.1	+06.42 +002.2	-03.17 0084	+10.33	+14.28	+02.60	+12.33	+02.73
35	+03.21 +010.2	-00.89 +009.0	+06.69 +001.7	-04.56 0174	+06.58	+14.42	+02.58	+14.67	+03.20
36	+03.11 +017.5	-00.75 +008.7	+06.96 +001.5	-06.35 0220	+03.27	+15.85	+03.02	+17.69	+04.35
37	+03.00 +019.0	-00.70 +009.6	+07.20 +001.5	-07.13 0189	+02.94	+16.86	+03.10	+19.48	+04.22
38	+02.88 +021.2	-00.67 +010.1	+07.47 +001.6	-08.81 0188	+00.53	+18.76	+03.57	+22.91	+05.53
39	+02.77 +013.3	-00.69 +007.1	+07.71 +001.1	-09.65 0361	+02.22	+19.01	+03.62	+21.21	+04.58
40	+02.66 +013.9	-00.66 +007.2	+07.93 +001.1	-10.23 0356	+00.01	+19.99	+03.70	+21.84	+05.05

FILE:SL032

No.	Xcm DELxy	Ycm DELyZ	Zcm DELzx	Um/s Navg	Vm/s	Wm/s	Su	Sv	Sw
1	-04.99 +003.5	-01.48 +015.5	+05.00 +000.9	+11.01 0047	-01.53	-01.39	+00.62	+02.34	+00.60
2	-04.50 +004.4	-01.55 +013.2	+04.94 +001.1	+10.78 0047	-02.26	-01.53	+00.74	+03.02	+00.73
3	-04.03 +005.3	-01.64 +013.5	+04.87 +001.5	+10.44 0048	-02.62	-01.61	+00.78	+03.56	+00.96
4	-03.65 +006.5	-01.72 +016.4	+04.81 +001.9	+09.95 0047	-02.69	-01.68	+01.09	+04.22	+01.21
5	-03.28 +009.8	-01.81 +018.4	+04.75 +003.0	+09.92 0048	-03.62	-01.98	+01.47	+06.81	+01.85
6	-02.92 +008.2	-01.95 +010.6	+04.68 +002.8	+10.18 0084	-04.86	-01.42	+01.60	+07.28	+02.17
7	-02.46 +008.3	-02.21 +006.1	+04.62 +002.8	+11.24 0129	-07.42	-00.91	+02.49	+12.92	+03.04
8	-02.14 +008.9	-02.44 +011.2	+04.59 +002.7	+12.78 0219	-05.71	-01.55	+02.62	+17.15	+04.38
9	-01.70 +008.7	-02.69 +003.5	+04.55 +003.4	+15.34 0130	-11.62	+00.85	+04.15	+19.69	+05.22
10	-01.38 +008.5	-02.94 +003.8	+04.58 +002.1	+18.47 0179	-06.70	+01.03	+03.30	+20.64	+04.45
11	-00.93 +008.2	-03.11 +002.1	+04.62 +003.5	+22.10 0090	-17.35	+05.03	+03.61	+22.78	+06.59
12	-00.43 +009.6	-03.46 +004.6	+04.76 +002.8	+24.88 0093	-08.22	+02.32	+03.15	+22.58	+06.07
13	-00.01 +009.5	-03.63 +079.6	+04.82 +002.6	+27.88 0096	-01.34	+01.70	+03.16	+23.14	+06.26
14	+00.40 +008.1	-03.65 +019.1	+04.85 +002.2	+27.90 0094	-04.74	+04.81	+03.62	+19.98	+05.38
15	+00.82 +007.6	-03.68 +022.3	+04.92 +001.9	+27.91 0096	+05.33	+02.35	+03.40	+19.12	+04.60
16	+01.30 +007.4	-03.54 +012.9	+04.95 +002.0	+27.72 0096	+09.87	+04.59	+04.04	+19.85	+04.92
17	+01.70 +008.2	-03.36 +013.5	+05.01 +002.2	+25.42 0096	+11.16	+07.65	+04.04	+21.54	+05.29
18	+02.06 +007.1	-03.16 +008.7	+05.11 +002.5	+23.17 0095	+17.37	+09.48	+03.14	+22.27	+05.75
19	+02.42 +007.6	-02.83 +009.6	+05.26 +002.5	+19.19 0096	+15.87	+12.96	+03.21	+21.08	+05.83
20	+02.75 +007.4	-02.48 +008.8	+05.47 +002.3	+13.79 0095	+14.20	+14.56	+03.21	+17.83	+04.61

21	+03.03 +005.0	-01.99 +007.3	+05.82 +002.6	+07.58 0096	+17.71	+15.14	+03.89	+19.12	+03.98
22	+03.19 +004.6	-01.50 +010.1	+06.22 +001.6	+01.70 0095	+09.60	+16.89	+02.28	+17.71	+04.04
23	+03.17 +005.9	-01.10 +009.3	+06.73 +001.6	-03.05 0094	+09.90	+16.83	+02.34	+16.57	+03.47
24	+03.02 +008.8	-00.76 +008.7	+07.22 +001.4	-06.16 0174	+09.23	+17.12	+02.67	+18.30	+03.93
25	+02.79 +013.6	-00.51 +008.7	+07.65 +001.7	-08.21 0170	+06.30	+19.30	+03.82	+17.96	+04.20
26	+02.57 +017.9	-00.37 +009.8	+08.04 +001.4	-09.87 0176	+04.26	+21.84	+03.67	+22.95	+05.05
27	+02.37 +024.5	-00.29 +009.7	+08.42 +001.5	-10.33 0177	-00.32	+25.85	+04.01	+28.55	+07.36
28	+02.19 +020.4	-00.31 +008.5	+08.85 +001.4	-12.78 0177	-01.56	+29.37	+04.45	+28.56	+07.50
29	+02.00 +021.8	-00.38 +008.5	+09.30 +001.2	-13.72 0187	-02.01	+35.33	+04.73	+37.08	+08.77
30	+01.84 +020.3	-00.44 +008.7	+09.77 +001.1	-13.55 0177	+04.85	+37.15	+04.32	+34.54	+07.11

FILE:SL033

No.	Xcm DELxy	Ycm DELyz	Zcm DELzx	Um/s Navg	Vm/s	Wm/s	Su	Sv	Sw
1	-04.99 +005.2	-01.01 +034.4	+05.00 +000.8	+10.72 0048	-00.38	-01.62	+00.49	+03.49	+00.56
2	-04.50 +004.5	-01.02 +020.2	+04.93 +001.0	+10.42 0048	-01.37	-01.53	+00.62	+02.93	+00.65
3	-04.02 +006.2	-01.07 +013.0	+04.86 +001.5	+09.54 0048	-02.75	-01.47	+00.90	+03.94	+00.87
4	-03.84 +007.3	-01.12 +024.0	+04.83 +001.9	+09.20 0048	-01.76	-01.86	+01.79	+04.32	+01.07
5	-03.66 +007.2	-01.16 +018.9	+04.79 +001.7	+09.33 0047	-02.23	-01.51	+01.32	+04.31	+01.00
6	-03.48 +007.0	-01.19 +013.6	+04.76 +001.8	+09.13 0088	-03.05	-01.62	+01.27	+04.96	+01.22
7	-02.93 +009.5	-01.36 +017.3	+04.66 +002.4	+08.66 0214	-03.22	-01.63	+02.59	+11.11	+02.86
8	-02.55 +009.8	-01.50 +003.5	+04.58 +003.6	+09.22 0260	-06.50	+00.73	+03.08	+18.23	+04.75
9	-02.36 +007.7	-01.63 +003.0	+04.60 +003.5	+09.10 0360	-09.66	+03.48	+04.05	+22.93	+05.70
10	-01.94 +007.2	-01.89 +005.0	+04.74 +003.6	+10.14 0193	-16.38	+09.76	+04.79	+31.78	+07.63
11	-01.74 +007.7	-02.10 +006.5	+04.96 +003.0	+09.81 0192	-16.10	+13.68	+04.76	+33.81	+08.65
12	-01.62 +006.4	-02.24 +005.7	+05.15 +002.7	+10.20 0191	-19.90	+16.13	+04.65	+37.50	+09.48
13	-01.53 +003.8	-02.39 +003.3	+05.30 +002.5	+11.49 0190	-28.98	+17.05	+04.41	+38.18	+09.43
14	-01.47 +004.7	-02.62 +003.7	+05.47 +002.8	+12.44 0191	-25.74	+14.76	+04.51	+37.61	+08.90
15	-01.39 +004.4	-02.89 +002.0	+05.64 +003.2	+14.58 0189	-25.68	+09.57	+04.21	+31.65	+07.79

FILE:SL034

No.	Xcm DELxy	Ycm DELyZ	Zcm DELzx	Um/s Navg	Vm/s	Wm/s	Su	Sv	Sw
1	-04.99 +004.6	+01.00 +013.7	+05.01 +000.9	+10.60 0047	+01.59	-01.56	+01.01	+03.05	+00.61
2	-04.80 +004.5	+01.03 +020.9	+04.98 +001.1	+10.54 0047	+00.92	-01.41	+00.97	+02.92	+00.70
3	-04.61 +005.4	+01.04 +009.8	+04.96 +001.5	+10.18 0048	+02.04	-01.60	+01.10	+03.51	+00.95
4	-04.42 +006.0	+01.09 +010.5	+04.93 +001.7	+10.21 0048	+02.14	-01.64	+00.73	+03.96	+01.06
5	-04.24 +006.8	+01.15 +043.6	+04.90 +001.9	+10.57 0048	+00.58	-01.14	+01.01	+04.42	+01.23
6	-04.06 +007.1	+01.18 +009.3	+04.89 +001.9	+09.86 0048	+02.35	-01.41	+01.35	+04.49	+01.16
7	-03.45 +008.3	+01.35 +003.5	+04.81 +002.7	+09.21 0084	+04.87	-01.97	+01.15	+07.77	+02.15
8	-03.09 +009.4	+01.56 +005.5	+04.74 +002.8	+09.71 0170	+03.44	-01.34	+01.86	+11.12	+02.76
9	-02.74 +009.3	+01.71 +009.0	+04.69 +002.6	+09.57 0389	+03.58	+00.30	+02.84	+16.48	+04.29
10	-02.40 +009.9	+01.85 +011.9	+04.70 +003.2	+10.37 0354	+06.67	+02.74	+03.91	+22.68	+05.61
11	-02.16 +009.1	+02.01 +013.6	+04.77 +001.6	+11.35 1083	+00.85	+07.76	+03.70	+29.61	+07.73
12	-01.90 +010.8	+02.05 +008.2	+04.98 +001.4	+11.68 0545	-05.90	+15.72	+04.05	+30.94	+07.96
13	-01.58 +004.1	+01.89 +004.1	+05.31 +001.1	+11.63 0288	-21.01	+27.30	+04.40	+30.49	+07.03

FILE:SL035

No.	Xcm DELxy	Ycm DELyz	Zcm DELzx	Um/s Navg	Vm/s	Wm/s	Su	Sv	Sw
1	-04.99 +003.6	+01.51 +008.7	+05.00 +000.9	+11.43 0048	+01.81	-01.46	+00.55	+02.58	+00.62
2	-04.80 +004.0	+01.54 +010.0	+04.98 +001.0	+11.27 0048	+01.80	-01.47	+00.58	+02.91	+00.73
3	-04.61 +005.0	+01.57 +015.4	+04.96 +001.2	+11.03 0048	+01.49	-01.62	+00.59	+03.43	+00.85
4	-04.43 +004.8	+01.59 +016.8	+04.93 +001.2	+11.10 0047	+01.28	-01.50	+00.87	+03.24	+00.83
5	-04.24 +005.0	+01.62 +005.7	+04.91 +001.4	+10.77 0048	+02.90	-01.67	+00.95	+03.52	+00.91
6	-04.06 +005.5	+01.68 +006.8	+04.88 +001.4	+10.81 0047	+02.77	-01.51	+00.74	+03.90	+00.93
7	-03.71 +006.8	+01.79 +008.3	+04.83 +001.8	+10.78 0047	+02.91	-01.81	+00.94	+04.77	+01.21
8	-03.44 +008.8	+01.89 +005.2	+04.78 +002.7	+11.24 0047	+04.42	-01.86	+01.21	+06.97	+01.86
9	-03.19 +008.0	+02.03 +002.9	+04.74 +002.4	+11.39 0048	+06.26	-01.83	+01.92	+07.16	+01.74
10	-02.95 +007.9	+02.17 +004.1	+04.70 +001.9	+12.17 0088	+04.73	-01.40	+01.61	+08.89	+01.93
11	-02.63 +007.9	+02.32 +002.4	+04.67 +002.7	+12.20 0090	+08.65	-01.93	+01.53	+11.16	+02.78
12	-02.41 +008.7	+02.51 +002.6	+04.63 +002.8	+13.77 0088	+08.96	-01.62	+01.91	+13.71	+03.30
13	-02.12 +009.3	+02.73 +003.2	+04.60 +002.5	+15.00 0131	+07.74	-01.20	+02.33	+17.42	+04.00
14	-01.79 +008.7	+02.94 +002.4	+04.58 +003.4	+17.33 0085	+15.31	-02.95	+02.15	+18.95	+04.11
15	-01.57 +009.1	+03.14 +002.9	+04.54 +002.9	+18.67 0087	+11.29	-01.74	+02.38	+17.30	+04.41
16	-01.38 +008.2	+03.29 +002.4	+04.52 +002.8	+20.33 0095	+14.45	-02.46	+02.49	+21.41	+04.99
17	-00.97 +007.9	+03.61 +002.5	+04.47 +002.2	+22.20 0095	+12.20	-02.48	+02.17	+19.38	+04.22
18	-00.56 +007.2	+03.87 +011.1	+04.42 +001.6	+22.97 0095	+03.79	-01.58	+01.74	+14.74	+03.15
19	-00.22 +007.4	+03.93 +007.0	+04.40 +001.6	+24.95 0095	+05.46	-01.77	+01.70	+16.79	+03.44
20	+00.13 +006.9	+04.00 +171.5	+04.38 +001.4	+25.03 0094	-00.31	-00.94	+01.58	+14.65	+02.99

21	+00.45 +006.0	+03.97 +016.0	+04.38 +001.3	+24.83 0094	-02.12	-00 02	+01.64	+12.82	+02.84
22	+00.75 +006.1	+03.92 +005.0	+04.39 +001.4	+25.14 0095	-04.36	+00.80	+02.18	+13.75	+03.00
23	+00.99 +005.9	+03.89 +005.6	+04.39 +001.4	+24.13 0094	-03.91	+00.97	+01.88	+12.83	+02.96
24	+01.28 +006.3	+03.85 +003.5	+04.41 +001.5	+24.84 0095	-06.41	+01.23	+01.83	+14.40	+03.18
25	+01.51 +005.4	+03.79 +002.4	+04.42 +001.5	+24.86 0097	-09.17	+02.40	+02.16	+13.26	+03.25
26	+01.86 +004.6	+03.65 +002.0	+04.45 +001.4	+22.73 0096	-10.19	+03.31	+01.97	+10.92	+02.80
27	+02.16 +004.5	+03.49 +002.2	+04.50 +001.2	+20.14 0097	-13.23	+04.63	+01.99	+11.45	+02.26
28	+02.41 +004.9	+03.31 +002.2	+04.56 +001.6	+18.30 0096	-11.86	+04.69	+02.07	+11.01	+02.69
29	+02.68 +004.0	+03.13 +001.7	+04.64 +001.7	+16.29 0095	-15.27	+06.73	+01.86	+10.45	+02.74
30	+02.92 +004.4	+02.87 +002.7	+04.74 +001.6	+14.21 0095	-13.91	+07.61	+02.33	+10.32	+02.18
31	+03.14 +004.3	+02.61 +002.7	+04.85 +001.8	+12.07 0097	-15.20	+08.69	+02.16	+11.32	+02.53
32	+03.30 +004.0	+02.40 +002.8	+04.98 +001.9	+09.57 0096	-13.72	+09.15	+02.08	+09.77	+02.37
33	+03.49 +004.7	+02.09 +004.4	+05.18 +001.7	+07.17 0095	-12.25	+09.80	+01.47	+11.50	+02.30
34	+03.63 +005.9	+01.86 +005.6	+05.40 +002.0	+05.70 0095	-09.46	+10.07	+02.05	+10.37	+01.97
35	+03.74 +007.5	+01.55 +007.3	+05.68 +002.1	+03.63 0095	-07.12	+10.44	+01.96	+10.88	+02.47
36	+03.81 +004.6	+01.34 +007.7	+05.96 +001.8	+01.98 0094	-08.67	+11.73	+01.75	+14.28	+03.55
37	+03.82 +005.2	+01.09 +009.3	+06.26 +001.9	+00.46 0094	-05.09	+12.29	+02.03	+12.60	+02.96
38	+03.79 +005.4	+00.97 +009.3	+06.56 +001.7	-00.82 0094	-05.89	+13.32	+01.98	+13.84	+03.23
39	+03.77 +008.7	+00.85 +008.6	+06.84 +001.8	-02.17 0094	-06.35	+14.15	+02.22	+13.92	+03.31
40	+03.73 +022.9	+00.74 +007.6	+07.09 +001.4	-02.88 0170	-02.37	+13.58	+01.81	+11.25	+02 97
41	+03.66 +030.0	+00.70 +010.2	+07.38 +001.9	-04.26 0096	-02.03	+14.39	+02.33	+13.44	+03.38
42	+03.56 +020.5	+00.68 +007.9	+07.73 +001.2	-05.74 0176	-01.58	+15.32	+02 03	+13.19	+02.66

43	+03.44 +019.8	+00.68 +010.2	+08.05 +001.9	-06.93 0095	-04.62	+16.90	+02.68	+16.96	+04.27
44	+03.33 +014.8	+00.62 +007.2	+08.32 +001.4	-08.30 0173	-00.29	+17.11	+03.01	+12.57	+02.96
45	+03.25 +018.1	+00.62 +009.7	+08.50 +002.0	-08.70 0095	-04.84	+19.13	+03.56	+17.78	+04.24
46	+03.12 +020.6	+00.55 +009.5	+08.79 +001.9	-08.93 0096	-01.82	+19.50	+03.42	+16.62	+04.29

FILE:SL036

No.	Xcm DELxy	Ycm DELYz	Zcm DELzx	Um/s Navg	Vm/s	Wm/s	Su	Sv	Sw
1	-04.99 +003.4	+02.00 +005.5	+05.00 +000.9	+11.26 0047	+02.23	-01.40	+01.89	+02.35	+00.60
2	-04.50 +003.7	+02.10 +004.9	+04.93 +001.0	+11.49 0048	+02.86	-01.73	+01.09	+02.77	+00.68
3	-04.03 +005.1	+02.23 +005.7	+04.86 +001.4	+11.13 0048	+03.09	-01.64	+01.40	+03.80	+00.93
4	-03.57 +006.5	+02.39 +008.2	+04.80 +001.6	+11.73 0049	+03.01	-01.71	+01.35	+05.02	+01.20
5	-03.09 +007.4	+02.52 +005.0	+04.73 +002.1	+12.99 0047	+04.57	-01.84	+01.25	+06.67	+01.67
6	-02.64 +007.2	+02.71 +002.4	+04.67 +002.3	+13.75 0086	+07.16	-01.96	+01.54	+09.39	+02.29
7	-01.89 +008.9	+03.13 +003.2	+04.56 +002.1	+16.20 0084	+08.92	-02.07	+01.55	+13.66	+02.31
8	-01.33 +008.7	+03.51 +005.4	+04.49 +002.0	+19.02 0087	+05.48	-01.51	+02.02	+13.91	+03.27
9	-00.72 +008.8	+03.74 +008.6	+04.45 +002.1	+21.96 0091	+03.70	-01.13	+01.82	+15.56	+03.55
10	-00.23 +008.5	+03.86 +007.9	+04.42 +001.8	+23.93 0084	+04.87	-01.47	+01.83	+14.05	+02.82
11	+00.43 +010.3	+03.98 +038.6	+04.40 +001.9	+24.98 0048	-01.65	-00.13	+02.15	+15.75	+02.99
12	+01.08 +007.0	+03.91 +002.8	+04.41 +002.2	+23.55 0047	-08.86	+02.31	+01.90	+11.64	+03.17
13	+01.67 +006.0	+03.63 +002.3	+04.47 +001.8	+22.25 0047	-13.00	+03.81	+02.36	+10.88	+02.45
14	+02.19 +004.6	+03.27 +001.8	+04.57 +002.0	+19.54 0047	-22.00	+07.49	+01.74	+12.43	+02.75
15	+02.49 +005.2	+02.84 +002.5	+04.72 +002.7	+16.53 0047	-22.06	+09.31	+02.45	+14.37	+03.36
16	+02.80 +007.5	+02.33 +005.8	+04.97 +002.9	+12.74 0048	-15.89	+11.61	+03.22	+14.68	+03.09
17	+03.11 +011.0	+01.82 +008.7	+05.33 +003.7	+08.04 0047	-09.52	+11.76	+03.19	+12.53	+03.33
18	+03.26 +005.4	+01.48 +007.3	+05.60 +003.4	+03.28 0048	-12.88	+13.06	+02.79	+14.29	+03.59
19	+03.30 +002.7	+01.15 +007.3	+05.86 +001.9	+00.04 0085	-10.22	+14.23	+01.92	+12.54	+03.23
20	+03.27 +006.4	+00.86 +008.0	+06.18 +002.0	-02.09 0127	-07.36	+13.60	+02.47	+13.45	+03.46

21	+03.20	+00.68	+06.47	-04.81	-06.46	+14.92	+02.63	+15.83	+03.85
	+012.6	+008.6	+001.8	0136					
22	+03.09	+00.55	+06.73	-06.43	-02.25	+15.22	+02.73	+16.38	+03.99
	+020.4	+009.7	+001.7	0175					

FILE:SL037

No.	Xcm DELxy	Ycm DELYz	Zcm DELzx	Um/s Navg	Vm/s	Wm/s	Su	Sv	Sw
1	-04.99 +003.7	+03.01 +006.6	+05.00 +001.0	+12.48 0048	+02.23	-01.39	+00.59	+02.94	+00.75
2	-04.50 +003.7	+03.10 +004.8	+04.95 +000.9	+12.48 0048	+03.03	-01.58	+00.58	+03.04	+00.67
3	-04.03 +004.1	+03.21 +005.5	+04.89 +000.8	+12.84 0047	+03.22	-01.60	+01.11	+03.47	+00.63
4	-03.66 +003.8	+03.31 +004.2	+04.85 +000.9	+13.17 0048	+03.68	-01.92	+01.00	+03.27	+00.74
5	-03.29 +004.5	+03.44 +003.9	+04.80 +000.9	+13.77 0047	+04.50	-01.85	+01.03	+04.17	+00.80
6	-02.92 +005.2	+03.57 +004.1	+04.75 +001.1	+14.56 0048	+05.44	-02.25	+01.35	+05.31	+01.02
7	-02.40 +005.8	+03.81 +008.5	+04.67 +001.3	+15.56 0048	+03.60	-02.03	+02.17	+05.74	+01.19
8	-01.86 +005.6	+03.97 +003.3	+04.60 +001.2	+17.76 0048	+07.24	-02.37	+01.31	+07.10	+01.34
9	-01.50 +006.1	+04.12 +009.9	+04.56 +001.5	+19.09 0046	+03.57	-01.88	+01.07	+07.38	+01.73
10	-00.82 +007.6	+04.27 +009.8	+04.49 +001.5	+21.10 0048	+04.70	-02.02	+01.66	+10.45	+01.99
11	-00.25 +007.8	+04.41 +058.3	+04.45 +001.7	+21.66 0047	-01.74	-01.28	+01.08	+10.45	+02.25
12	+00.31 +006.3	+04.35 +011.6	+04.43 +001.2	+23.41 0047	-03.60	-00.41	+01.36	+09.27	+01.74
13	+00.82 +006.4	+04.24 +012.2	+04.43 +001.2	+23.39 0048	-01.82	+00.10	+02.22	+09.14	+01.70
14	+01.32 +006.2	+04.19 +003.2	+04.44 +001.7	+22.29 0047	-07.40	+01.03	+01.82	+09.43	+02.35
15	+01.75 +005.1	+04.04 +002.1	+04.46 +001.2	+21.89 0048	-10.11	+02.51	+02.04	+08.24	+01.69
16	+02.14 +005.4	+03.86 +002.4	+04.51 +001.5	+20.08 0048	-11.04	+03.56	+01.80	+08.64	+01.92
17	+02.58 +004.9	+03.60 +002.4	+04.59 +001.6	+17.15 0048	-10.82	+04.38	+01.78	+07.18	+01.70
18	+02.98 +005.6	+03.32 +003.0	+04.70 +001.6	+15.00 0048	-12.99	+05.44	+01.74	+08.91	+01.64
19	+03.31 +005.4	+03.00 +003.7	+04.82 +001.7	+12.82 0047	-10.46	+06.12	+01.29	+07.13	+01.58
20	+03.68 +005.7	+02.66 +004.1	+05.01 +002.0	+09.98 0048	-11.92	+07.66	+01.55	+08.37	+01.63

21	+03.96 +006.9	+02.28 +005.7	+05.24 +002.0	+08.15 0048	-09.67	+08.21	+01.12	+08.21	+01.69
22	+04.28 +011.6	+01.90 +009.6	+05.61 +002.6	+06.12 0047	-06.14	+08.13	+01.45	+08.54	+01.91
23	+04.53 +012.0	+01.54 +010.1	+06.03 +002.5	+04.34 0047	-06.23	+09.26	+01.39	+09.51	+02.35
24	+04.68 +009.1	+01.21 +008.9	+06.50 +001.8	+02.69 0086	-05.75	+09.71	+01.23	+09.62	+02.14
25	+04.76 +010.7	+00.95 +009.6	+06.97 +001.5	+01.60 0088	-04.20	+10.46	+01.24	+10.13	+02.19
26	+04.78 +096.6	+00.77 +008.5	+07.45 +001.5	+00.54 0125	-00.47	+11.29	+01.48	+08.22	+01.61
27	+04.75 +009.9	+00.77 +008.6	+07.93 +001.3	-00.77 0127	-03.13	+12.19	+01.45	+10.25	+02.02
28	+04.71 +038.6	+00.69 +006.9	+08.38 +001.4	-01.87 0191	-00.94	+12.71	+02.16	+10.92	+02.73
29	+04.64 +016.6	+00.71 +006.7	+08.85 +001.1	-03.14 0189	-03.31	+14.55	+02.02	+13.14	+03.01
30	+04.54 +020.5	+00.63 +007.0	+09.28 +001.2	-04.66 0189	-01.88	+15.01	+02.28	+13.47	+03.04
31	+04.41 +016.1	+00.60 +006.6	+09.67 +001.1	-06.46 0190	+00.47	+15.82	+02.24	+12.69	+02.89
32	+04.20 +014.1	+00.61 +006.3	+10.15 +001.1	-07.80 0189	-00.94	+17.53	+02.47	+13.66	+03.05
33	+03.97 +013.3	+00.61 +006.3	+10.62 +001.0	-09.09 0189	-01.58	+19.42	+02.57	+15.22	+03.28
34	+03.75 +012.5	+00.61 +006.6	+11.06 +001.2	-10.63 0191	-00.37	+20.06	+02.96	+16.32	+04.11
35	+03.55 +012.3	+00.62 +007.0	+11.44 +001.2	-11.14 0191	+01.86	+20.51	+03.38	+17.38	+04.01
36	+03.32 +012.9	+00.66 +006.8	+11.84 +001.3	-10.69 0188	+01.97	+20.90	+03.77	+17.22	+04.14
37	+03.05 +015.6	+00.75 +007.8	+12.37 +001.5	-10.67 0192	+01.57	+21.99	+04.48	+20.98	+05.30
38	+02.87 +017.9	+00.81 +009.2	+12.77 +001.6	-10.53 0191	+03.31	+22.43	+04.36	+25.24	+06.40
39	+02.66 +016.6	+00.90 +009.0	+13.21 +001.6	-11.13 0194	+05.14	+24.86	+05.16	+27.56	+07.10

FILE: SLO38

No.	Xcm DELxy	Ycm DELyz	Zcm DELzx	Um/s Navg	Vm/s	Wm/s	Su	Sv	Sw
1	-04.99 +003.3	+04.00 +008.6	+05.00 +000.8	+13.21 0047	+01.85	-01.29	+00.38	+02.71	+00.62
2	-04.60 +003.0	+04.05 +007.0	+04.97 +000.8	+13.31 0047	+01.99	-01.36	+01.10	+02.49	+00.62
3	-04.21 +003.0	+04.12 +004.3	+04.93 +000.8	+13.82 0048	+02.81	-01.47	+00.49	+02.67	+00.65
4	-03.83 +003.2	+04.20 +004.5	+04.89 +000.8	+14.19 0048	+03.06	-01.65	+00.54	+02.91	+00.70
5	-03.46 +003.4	+04.29 +005.5	+04.85 +000.8	+14.49 0047	+02.83	-01.67	+00.52	+03.08	+00.74
6	-03.08 +003.2	+04.37 +006.0	+04.81 +000.7	+15.24 0048	+02.81	-01.60	+00.72	+03.13	+00.67
7	-02.46 +003.5	+04.51 +005.2	+04.75 +000.9	+16.11 0048	+03.10	-01.66	+00.92	+03.55	+00.89
8	-02.07 +003.7	+04.60 +005.1	+04.72 +000.9	+17.01 0047	+03.70	-01.96	+00.72	+03.95	+00.92
9	-01.67 +004.4	+04.71 +012.1	+04.67 +001.0	+18.10 0048	+02.51	-01.88	+00.65	+04.97	+01.12
10	-01.13 +004.5	+04.78 +011.9	+04.62 +000.8	+19.22 0047	+02.95	-01.89	+00.82	+05.53	+00.95
11	-00.50 +004.1	+04.88 +075.1	+04.56 +000.9	+20.74 0047	-00.25	-01.14	+01.18	+05.28	+01.16
12	+00.12 +004.7	+04.86 +069.8	+04.53 +001.4	+21.28 0048	-00.92	-00.91	+01.19	+06.31	+01.79
13	+00.68 +004.9	+04.84 +008.7	+04.52 +001.3	+21.80 0049	-04.24	-00.45	+01.37	+06.84	+01.68
14	+01.21 +004.1	+04.72 +004.6	+04.52 +001.1	+21.25 0047	-04.53	+00.18	+01.08	+05.50	+01.46
15	+01.72 +004.4	+04.60 +001.9	+04.54 +001.0	+21.30 0048	-06.98	+01.11	+01.47	+06.29	+01.30
16	+02.19 +004.5	+04.44 +002.6	+04.56 +000.9	+19.85 0048	-07.25	+01.95	+01.09	+06.25	+01.08
17	+02.68 +003.8	+04.23 +001.4	+04.61 +001.2	+18.72 0049	-11.22	+03.34	+01.13	+06.04	+01.41
18	+03.09 +003.8	+03.96 +002.2	+04.69 +000.9	+16.34 0047	-11.09	+04.27	+01.07	+05.65	+00.94
19	+03.51 +004.4	+03.65 +002.4	+04.81 +001.4	+15.05 0048	-10.82	+05.12	+01.04	+06.07	+01.40
20	+03.90 +006.3	+03.32 +005.1	+04.95 +001.6	+12.77 0048	-08.55	+05.78	+01.03	+07.27	+01.50

21	+04.34 +006.7	+03.00 +004.7	+05.18 +002.1	+10.78 0048	-10.01	+06.79	+00.93	+08.25	+01.89
22	+04.67 +004.7	+02.71 +003.6	+05.42 +001.5	+09.19 0048	-10.75	+07.06	+00.75	+06.37	+01.17
23	+05.05 +006.6	+02.35 +006.1	+05.70 +001.3	+08.04 0087	-06.68	+06.90	+00.88	+06.55	+01.26
24	+05.40 +006.1	+02.03 +005.1	+06.05 +002.0	+07.10 0047	-09.49	+07.97	+01.08	+07.26	+01.54
25	+05.70 +012.3	+01.66 +009.8	+06.37 +001.8	+05.89 0087	-03.38	+07.71	+01.07	+07.30	+01.49
26	+05.97 +012.2	+01.46 +009.2	+06.76 +002.1	+05.63 0084	-03.90	+07.86	+01.15	+07.15	+01.74
27	+06.30 +011.4	+01.28 +008.1	+07.24 +001.7	+05.18 0128	-03.48	+08.16	+01.42	+08.13	+01.57
28	+06.57 +013.8	+01.12 +008.4	+07.70 +001.7	+04.41 0129	-02.37	+08.22	+01.42	+06.86	+01.42
29	+06.81 +019.2	+01.04 +009.4	+08.17 +001.3	+04.06 0170	-01.37	+09.09	+01.40	+08.96	+01.58
30	+07.00 +012.5	+01.01 +008.1	+08.61 +001.3	+04.05 0126	-03.43	+09.29	+01.27	+07.18	+01.34
31	+07.20 +023.3	+00.88 +009.5	+09.10 +001.6	+03.32 0141	-01.89	+09.97	+01.70	+10.80	+02.35
32	+07.31 +025.5	+00.81 +009.3	+09.49 +001.6	+02.84 0141	-01.60	+09.73	+01.70	+10.05	+02.19
33	+07.44 +050.5	+00.73 +010.1	+10.03 +001.7	+01.89 0140	-00.48	+10.13	+01.80	+10.81	+02.01
34	+07.49 +034.1	+00.72 +006.9	+10.43 +001.0	+01.61 0251	-00.96	+10.68	+01.32	+09.26	+01.85
35	+07.54 +054.3	+00.72 +009.4	+10.96 +001.5	+01.33 0145	-00.99	+11.58	+01.87	+11.93	+02.56
36	+07.57 +162.0	+00.68 +009.8	+11.42 +001.4	+00.18 0142	-00.31	+11.68	+01.73	+12.10	+02.62
37	+07.55 +166.7	+00.68 +008.8	+11.88 +001.5	-00.28 0142	-00.32	+11.64	+01.86	+10.93	+02.41
38	+07.54 +095.6	+00.67 +009.2	+12.28 +001.2	-01.14 0141	+00.23	+12.12	+01.55	+11.84	+02.90
39	+07.48 +035.6	+00.70 +008.2	+12.87 +001.3	-02.52 0140	-01.37	+13.74	+01.86	+12.18	+02.84
40	+07.37 +029.2	+00.67 +007.5	+13.41 +001.2	-03.18 0140	-01.36	+14.12	+01.79	+11.54	+02.98
41	+07.27 +016.5	+00.64 +007.7	+13.82 +001.3	-05.38 0140	-03.82	+15.50	+02.14	+13.90	+03.11
42	+07.09 +016.6	+00.53 +006.9	+14.31 +001.4	-06.40 0141	-01.66	+15.96	+02.43	+11.94	+02.80

43	+06.88 +016.1	+00.46 +007.8	+14.83 +001.2	-08.04 0142	-00.39	+16.41	+02.10	+13.72	+03.18
44	+06.66 +013.1	+00.44 +006.9	+15.25 +001.1	-09.19 0142	-00.40	+17.57	+02.24	+12.87	+02.90
45	+06.44 +014.2	+00.45 +008.1	+15.64 +001.2	-10.29 0142	-00.40	+17.96	+02.24	+15.56	+03.67
46	+06.16 +013.0	+00.47 +007.4	+16.14 +001.3	-10.95 0144	-01.62	+19.01	+02.88	+15.36	+03.72
47	+05.87 +012.3	+00.46 +008.0	+16.64 +001.3	-11.33 0140	+01.97	+18.23	+02.82	+15.23	+03.19
48	+05.66 +013.0	+00.49 +008.4	+16.98 +001.5	-11.96 0141	+01.62	+19.04	+03.30	+16.68	+04.06
49	+05.26 +014.7	+00.58 +009.2	+17.62 +001.5	-11.90 0139	+00.67	+19.25	+02.91	+18.60	+04.46
50	+04.92 +011.7	+00.64 +007.4	+18.18 +001.2	-10.98 0259	+02.46	+18.72	+03.31	+16.98	+03.77

FILE:SL039

No.	Xcm DELxy	Ycm DELyz	Zcm DELzx	Um/s Navg	Vm/s	Wm/s	Su	Sv	Sw
1	-04.99 +003.6	+05.00 +017.8	+05.01 +000.9	+13.94 0049	+01.18	-01.31	+01.27	+03.17	+00.79
2	-04.59 +004.3	+05.03 +016.4	+04.97 +001.1	+13.74 0048	+01.45	-01.27	+00.99	+03.70	+00.87
3	-04.21 +003.7	+05.10 +010.4	+04.94 +000.9	+14.42 0048	+01.91	-01.45	+00.58	+03.30	+00.77
4	-03.82 +004.2	+05.17 +035.3	+04.90 +000.9	+13.99 0048	+00.64	-01.24	+01.11	+03.71	+00.76
5	-03.44 +003.8	+05.19 +012.7	+04.87 +001.1	+15.07 0047	+01.64	-01.27	+00.64	+03.61	+00.96
6	-03.05 +003.2	+05.25 +007.1	+04.84 +000.7	+15.40 0047	+02.32	-01.32	+00.73	+03.13	+00.67
7	-02.33 +003.4	+05.37 +013.9	+04.79 +000.7	+16.78 0048	+01.75	-01.51	+00.67	+03.60	+00.75
8	-01.66 +003.3	+05.46 +019.9	+04.73 +000.8	+17.62 0046	+01.25	-01.56	+00.94	+03.62	+00.87
9	-01.17 +002.9	+05.51 +016.8	+04.69 +000.6	+18.59 0048	+01.40	-01.68	+00.91	+03.36	+00.68
10	-00.49 +003.6	+05.58 +049.6	+04.63 +000.8	+19.01 0048	-00.79	-00.94	+00.92	+04.26	+00.89
11	+00.19 +003.6	+05.55 +015.7	+04.60 +000.8	+19.57 0046	-02.37	-00.99	+01.08	+04.31	+01.00
12	+00.76 +003.9	+05.47 +010.8	+04.58 +001.0	+19.83 0048	-03.08	-00.70	+01.32	+04.78	+01.18
13	+01.30 +003.3	+05.40 +002.2	+04.57 +000.7	+19.54 0048	-04.85	+00.39	+01.30	+04.12	+00.91
14	+01.83 +003.9	+05.26 +003.6	+04.59 +000.9	+19.91 0048	-03.86	+00.26	+01.41	+04.89	+01.09
15	+02.36 +003.8	+05.14 +001.7	+04.60 +000.8	+18.31 0048	-07.06	+01.54	+01.06	+04.92	+00.90
16	+02.81 +003.7	+04.96 +001.7	+04.64 +000.9	+17.25 0049	-07.21	+01.90	+01.28	+04.65	+00.98
17	+03.33 +003.6	+04.73 +001.9	+04.70 +000.9	+16.42 0047	-08.43	+03.02	+01.01	+04.55	+00.95
18	+03.81 +004.2	+04.46 +002.7	+04.79 +000.9	+15.12 0048	-08.96	+03.83	+01.01	+05.27	+00.84
19	+04.25 +005.1	+04.17 +004.2	+04.92 +001.1	+13.73 0047	-08.02	+04.60	+01.04	+05.75	+00.94
20	+04.66 +004.9	+03.92 +003.3	+05.06 +001.3	+13.00 0048	-09.29	+05.02	+00.72	+05.90	+01.14

21	+05.09 +005.4	+03.63 +004.0	+05.25 +001.5	+11.36 0048	-08.21	+05.20	+01.00	+05.73	+01.22
22	+05.49 +006.7	+03.36 +005.2	+05.45 +001.8	+10.37 0047	-07.65	+05.79	+01.18	+06.40	+01.37
23	+05.93 +009.0	+03.03 +010.0	+05.73 +001.9	+09.54 0048	-04.50	+05.52	+00.96	+06.50	+01.34
24	+06.38 +009.3	+02.79 +009.6	+06.01 +001.9	+08.90 0047	-04.87	+05.91	+01.18	+06.53	+01.29
25	+06.78 +007.8	+02.58 +008.5	+06.30 +001.4	+08.35 0086	-04.26	+05.88	+00.97	+05.11	+01.14
26	+07.22 +010.1	+02.39 +010.0	+06.61 +002.2	+08.68 0048	-05.00	+06.31	+01.43	+07.22	+01.47
27	+07.64 +009.7	+02.17 +011.1	+06.93 +001.8	+07.91 0088	-02.59	+06.05	+01.38	+06.36	+01.26
28	+07.95 +009.6	+02.06 +010.1	+07.17 +001.9	+07.83 0087	-03.52	+06.23	+01.47	+06.41	+01.38
29	+08.50 +009.9	+01.85 +010.5	+07.60 +001.8	+07.56 0083	-02.61	+06.13	+01.20	+05.77	+01.41
30	+09.06 +009.5	+01.67 +009.0	+08.06 +002.0	+07.03 0086	-03.91	+06.25	+01.34	+06.26	+01.55
31	+09.56 +009.0	+01.41 +008.6	+08.50 +001.7	+07.27 0128	-03.56	+06.29	+01.19	+07.33	+01.64
32	+10.00 +009.7	+01.20 +011.4	+08.88 +001.5	+06.75 0170	-00.83	+05.72	+01.40	+07.73	+01.29
33	+10.57 +007.5	+01.11 +007.8	+09.37 +001.1	+06.47 0336	-01.21	+05.97	+01.45	+07.30	+01.27
34	+11.06 +007.7	+01.03 +007.9	+09.83 +001.2	+06.49 0340	-00.97	+06.11	+01.46	+07.62	+01.41
35	+11.57 +007.6	+00.98 +008.8	+10.30 +001.1	+06.52 0335	-00.33	+05.73	+01.39	+06.87	+01.22
36	+12.04 +009.7	+01.00 +009.9	+10.73 +001.6	+06.46 0188	-01.94	+06.04	+01.92	+08.32	+01.54
37	+12.46 +007.3	+00.88 +008.1	+11.12 +001.1	+06.75 0339	-00.59	+05.93	+01.25	+06.99	+01.40
38	+12.87 +007.3	+00.84 +007.8	+11.50 +001.1	+06.63 0337	-00.98	+05.94	+01.28	+06.69	+01.41
39	+13.27 +007.5	+00.79 +008.0	+11.87 +001.1	+06.48 0333	-00.92	+05.91	+01.31	+06.83	+01.33
40	+13.70 +008.1	+00.73 +008.5	+12.27 +001.1	+06.40 0330	-00.46	+05.99	+01.15	+07.11	+01.38
41	+14.30 +007.0	+00.71 +007.6	+12.83 +001.2	+06.39 0340	-00.91	+05.79	+01.52	+06.52	+01.33
42	+14.74 +007.6	+00.65 +008.7	+13.24 +001.2	+06.55 0336	+00.20	+05.81	+01.30	+06.89	+01.35

FILE:SLO40

No.	Xcm DELxy	Ycm DELyz	Zcm DELzx	Um/s Navg	Vm/s	Wm/s	Su	Sv	Sw
1	-05.00 +002.1	-09.01 +019.4	+10.01 +000.5	+12.64 0049	-00.60	-01.13	+00.49	+01.59	+00.37
2	-04.50 +002.4	-09.03 +019.2	+09.96 +000.5	+13.03 0048	-00.81	-01.34	+00.60	+01.97	+00.38
3	-04.01 +002.3	-09.07 +026.3	+09.92 +000.5	+13.29 0048	-00.17	-01.18	+00.42	+01.91	+00.40
4	-03.52 +002.3	-09.07 +023.0	+09.88 +000.5	+13.65 0048	-00.10	-01.37	+00.54	+01.92	+00.42
5	-03.02 +002.3	-09.07 +019.4	+09.83 +000.5	+13.81 0048	+00.16	-01.63	+00.45	+02.00	+00.41
6	-02.53 +002.0	-09.06 +020.2	+09.78 +000.4	+14.09 0048	-00.56	-01.29	+00.38	+01.79	+00.38
7	-01.64 +002.6	-09.09 +024.8	+09.69 +000.5	+14.62 0048	+00.18	-01.46	+00.50	+02.31	+00.49
8	-00.95 +002.3	-09.09 +022.5	+09.63 +000.5	+14.98 0048	-00.85	-01.10	+00.49	+02.15	+00.44
9	-00.38 +002.1	-09.12 +018.4	+09.59 +000.5	+15.33 0047	+00.75	-00.93	+00.53	+02.00	+00.46
10	+00.57 +002.7	-09.11 +007.0	+09.55 +000.6	+15.51 0048	+02.07	-01.20	+00.65	+02.66	+00.56
11	+01.25 +002.3	-09.02 +005.7	+09.50 +000.4	+15.86 0048	+01.82	-00.79	+00.78	+02.29	+00.43
12	+01.97 +002.2	-08.94 +001.7	+09.48 +000.5	+16.20 0049	+03.15	-00.64	+00.77	+02.26	+00.54
13	+02.58 +002.4	-08.80 +001.6	+09.46 +000.6	+16.29 0048	+04.02	-00.44	+00.77	+02.56	+00.58
14	+03.25 +002.2	-08.62 +002.4	+09.45 +000.7	+16.21 0048	+04.44	+00.01	+00.86	+02.39	+00.65
15	+03.96 +002.1	-08.40 +002.3	+09.46 +000.6	+15.52 0047	+05.05	+00.42	+00.59	+02.21	+00.54
16	+04.64 +002.1	-08.17 +003.0	+09.48 +000.6	+14.80 0048	+05.10	+01.13	+00.40	+02.20	+00.57
17	+05.25 +002.3	-07.96 +002.2	+09.53 +000.7	+14.32 0048	+07.11	+01.19	+00.66	+02.47	+00.61
18	+05.91 +002.4	-07.64 +002.9	+09.59 +000.7	+13.68 0049	+06.39	+01.85	+00.66	+02.42	+00.64
19	+06.60 +002.9	-07.31 +003.5	+09.69 +000.8	+12.75 0048	+06.40	+02.31	+00.76	+02.81	+00.66
20	+07.26 +002.9	-06.95 +003.6	+09.82 +000.9	+12.02 0048	+06.51	+02.70	+00.67	+02.74	+00.68

21	+07.89 +003.0	-06.61 +003.5	+09.98 +000.7	+11.15 0048	+06.41	+03.14	+00.76	+02.71	+00.49
22	+08.44 +003.2	-06.31 +003.5	+10.15 +000.7	+10.71 0049	+06.80	+03.22	+00.75	+02.98	+00.47
23	+09.17 +003.2	-05.85 +004.3	+10.38 +001.0	+09.88 0047	+06.09	+03.78	+00.67	+02.65	+00.64
24	+09.86 +005.2	-05.41 +007.2	+10.67 +001.2	+09.10 0048	+04.93	+04.18	+00.70	+03.82	+00.71
25	+10.49 +004.8	-05.06 +007.0	+10.97 +001.1	+08.60 0047	+04.74	+04.21	+00.64	+03.40	+00.68
26	+10.99 +005.0	-04.79 +006.8	+11.23 +001.4	+08.39 0048	+04.99	+04.13	+00.80	+03.43	+00.84
27	+11.65 +005.6	-04.38 +008.1	+11.57 +001.3	+08.22 0048	+04.23	+04.30	+00.76	+03.55	+00.74
28	+12.20 +007.2	-04.10 +010.9	+11.87 +001.6	+07.95 0048	+02.80	+04.81	+00.68	+03.92	+00.99
29	+12.70 +007.5	-03.91 +010.6	+12.17 +002.0	+07.79 0048	+04.24	+04.34	+01.02	+04.57	+01.14
30	+13.37 +008.0	-03.56 +011.7	+12.56 +001.8	+07.48 0047	+03.05	+04.72	+00.93	+04.30	+00.96
31	+13.95 +008.2	-03.32 +012.9	+12.92 +002.3	+07.93 0049	+03.51	+04.33	+01.22	+04.86	+01.30
32	+14.61 +008.5	-03.04 +013.1	+13.29 +001.8	+07.72 0047	+02.42	+04.65	+01.23	+04.35	+00.94

FILE:SL041

No.	Xcm DELxy	Ycm DELyZ	Zcm DELzx	Um/s Navg	Vm/s	Wm/s	Su	Sv	Sw
1	+14.61 +008.8	-03.03 +013.4	+13.29 +001.8	+07.43 0047	+02.98	+04.45	+01.08	+04.74	+00.87
2	+14.20 +009.0	-03.19 +014.7	+13.04 +001.9	+07.72 0047	+01.83	+04.76	+01.01	+04.52	+01.06
3	+13.79 +008.3	-03.29 +012.2	+12.79 +001.7	+07.63 0048	+02.55	+04.68	+01.13	+04.28	+00.90
4	+13.39 +007.9	-03.41 +012.2	+12.54 +001.7	+07.51 0047	+01.92	+04.97	+00.91	+03.89	+00.97
5	+12.98 +007.1	-03.52 +010.1	+12.28 +001.7	+07.67 0048	+03.57	+04.64	+00.99	+03.98	+00.95
6	+12.59 +007.4	-03.71 +010.5	+12.04 +001.7	+07.72 0048	+03.44	+04.84	+00.98	+04.16	+00.93
7	+11.98 +006.9	-04.03 +010.4	+11.66 +001.8	+07.91 0048	+03.27	+04.95	+00.98	+03.94	+01.05
8	+11.38 +005.7	-04.30 +008.4	+11.28 +001.4	+07.83 0048	+03.51	+04.78	+00.84	+03.32	+00.77
9	+10.86 +005.1	-04.57 +007.0	+10.96 +001.2	+08.35 0049	+04.72	+04.41	+00.90	+03.49	+00.67
10	+10.42 +004.4	-04.81 +005.9	+10.72 +001.1	+08.34 0047	+05.17	+04.29	+00.70	+03.11	+00.65
11	+09.58 +004.0	-05.30 +005.4	+10.30 +001.0	+09.07 0049	+05.22	+04.37	+00.71	+02.97	+00.64
12	+08.92 +003.8	-05.72 +005.0	+10.00 +001.1	+09.95 0048	+05.91	+03.93	+00.70	+03.17	+00.70
13	+08.30 +003.2	-06.10 +004.4	+09.77 +000.8	+10.54 0047	+05.79	+03.56	+00.61	+02.68	+00.58
14	+07.76 +003.8	-06.42 +004.7	+09.60 +001.1	+11.08 0049	+06.69	+03.10	+00.52	+03.61	+00.83
15	+07.27 +003.0	-06.74 +003.2	+09.47 +001.0	+11.43 0048	+07.72	+02.68	+00.49	+03.09	+00.75
16	+06.56 +002.6	-07.23 +003.1	+09.34 +000.7	+12.84 0049	+06.33	+02.09	+00.59	+02.58	+00.56
17	+05.85 +002.5	-07.61 +002.7	+09.25 +000.8	+13.45 0048	+06.72	+01.64	+00.73	+02.52	+00.64
18	+05.16 +002.4	-07.99 +002.5	+09.19 +000.6	+14.37 0049	+05.97	+01.15	+00.84	+02.44	+00.54
19	+04.51 +002.3	-08.27 +002.2	+09.16 +000.7	+14.69 0048	+05.98	+00.69	+00.57	+02.33	+00.60
20	+03.86 +002.5	-08.53 +003.0	+09.15 +000.7	+15.24 0048	+04.37	+00.36	+00.89	+02.49	+00.63

21	+03.20 +002.4	-08.72 +002.1	+09.15 +000.6	+15.89 0047	+03.98	-00.11	+00.89	+02.42	+00.56
22	+02.49 +002.2	-08.88 +001.7	+09.18 +000.6	+15.95 0048	+03.37	-00.54	+00.71	+02.28	+00.61
23	+01.78 +002.5	-09.00 +002.1	+09.21 +000.6	+15.97 0049	+03.12	-00.78	+00.74	+02.60	+00.62
24	+01.13 +002.3	-09.12 +003.4	+09.24 +000.6	+15.79 0049	+02.06	-00.67	+00.52	+02.31	+00.54
25	+00.54 +002.4	-09.18 +013.4	+09.27 +000.5	+15.71 0048	+01.22	-01.11	+00.44	+02.35	+00.48
26	-00.16 +002.8	-09.24 +039.0	+09.32 +000.6	+15.50 0049	-00.30	-01.09	+00.63	+02.70	+00.59
27	-00.96 +002.2	-09.21 +017.0	+09.38 +000.5	+14.91 0048	+00.69	-01.43	+00.44	+02.02	+00.48
28	-01.68 +002.3	-09.23 +011.1	+09.45 +000.5	+14.36 0049	+01.31	-01.54	+00.60	+02.09	+00.41
29	-02.27 +002.1	-09.29 +026.4	+09.52 +000.5	+14.16 0048	-00.28	-01.10	+00.59	+01.84	+00.41
30	-02.81 +001.9	-09.29 +019.8	+09.56 +000.4	+13.87 0047	+00.06	-01.34	+00.48	+01.64	+00.32
31	-03.42 +002.0	-09.31 +020.2	+09.62 +000.4	+13.48 0049	-00.49	-01.25	+00.56	+01.72	+00.31
32	-04.06 +001.6	-09.30 +015.8	+09.68 +000.4	+13.29 0047	-00.69	-01.06	+00.54	+01.32	+00.29
33	-04.86 +002.2	-09.24 +025.2	+09.74 +000.5	+12.89 0049	-00.13	-01.14	+00.52	+01.79	+00.38

 FILE:SL042

No.	Xcm DELxy	Ycm DELyZ	Zcm DELzx	Um/s Navg	Vm/s	Wm/s	Su	Sv	Sw
1	-05.00 +002.3	-07.49 +013.5	+10.00 +000.4	+12.43 0047	-01.12	-01.46	+00.51	+01.75	+00.30
2	-04.70 +002.4	-07.52 +018.1	+09.97 +000.6	+12.56 0049	-00.57	-01.56	+00.49	+01.86	+00.43
3	-04.41 +002.2	-07.53 +009.8	+09.94 +000.4	+12.68 0049	-01.60	-01.28	+00.48	+01.73	+00.28
4	-04.11 +002.4	-07.58 +009.8	+09.91 +000.6	+12.83 0048	-01.92	-01.51	+00.52	+01.96	+00.45
5	-03.83 +001.9	-07.64 +016.2	+09.89 +000.5	+12.97 0047	-00.67	-01.34	+00.47	+01.48	+00.41
6	-03.53 +002.1	-07.67 +015.0	+09.86 +000.5	+13.33 0047	-00.93	-01.55	+00.54	+01.75	+00.40
7	-02.35 +002.7	-07.76 +019.3	+09.74 +000.7	+14.14 0047	+00.26	-01.90	+00.48	+02.34	+00.58
8	-01.48 +002.6	-07.70 +011.4	+09.62 +000.6	+15.47 0048	-02.10	-01.30	+00.75	+02.54	+00.55
9	-00.73 +003.3	-07.79 +016.2	+09.56 +000.8	+16.04 0049	+01.33	-01.94	+00.59	+03.31	+00.81
10	-00.12 +003.2	-07.73 +016.4	+09.49 +000.9	+16.46 0047	+01.30	-01.65	+00.48	+03.24	+00.87
11	+01.04 +004.0	-07.62 +035.3	+09.38 +000.8	+17.29 0047	+00.85	-01.12	+00.65	+04.25	+00.89
12	+01.85 +003.5	-07.57 +002.6	+09.34 +000.8	+17.19 0048	+03.43	-00.71	+00.72	+03.82	+00.85
13	+02.63 +003.2	-07.40 +004.7	+09.31 +000.8	+17.30 0048	+03.07	+00.06	+01.01	+03.57	+00.83
14	+03.24 +003.0	-07.30 +003.4	+09.33 +000.7	+17.40 0048	+04.88	+00.50	+00.89	+03.45	+00.72
15	+04.02 +002.9	-07.07 +003.3	+09.36 +000.8	+15.83 0047	+06.38	+01.12	+00.74	+03.21	+00.81
16	+04.69 +002.9	-06.77 +002.6	+09.42 +001.0	+14.78 0049	+08.46	+01.41	+00.94	+03.52	+00.90
17	+05.30 +003.1	-06.40 +003.6	+09.48 +000.9	+14.07 0047	+07.37	+02.59	+00.97	+03.24	+00.81
18	+05.88 +003.3	-06.06 +003.4	+09.59 +001.0	+13.06 0047	+09.01	+03.18	+00.96	+03.75	+00.87
19	+06.38 +002.6	-05.69 +002.7	+09.72 +001.0	+11.74 0048	+09.39	+03.63	+00.90	+02.90	+00.74
20	+06.98 +004.4	-05.22 +004.9	+09.92 +001.3	+09.89 0047	+07.79	+04.65	+00.85	+04.27	+00.85

21	+07.54 +004.5	-04.78 +005.4	+10.22 +001.6	+08.47 0048	+07.79	+05.46	+00.80	+04.24	+01.06
22	+08.09 +004.4	-04.29 +005.2	+10.61 +001.6	+07.41 0048	+08.80	+05.63	+00.82	+04.82	+01.02
23	+08.59 +005.3	-03.78 +006.0	+10.99 +001.8	+06.73 0048	+07.15	+05.88	+01.16	+04.48	+00.91
24	+09.01 +005.4	-03.35 +006.4	+11.35 +002.2	+05.83 0048	+07.38	+06.03	+01.15	+04.85	+01.16
25	+09.34 +008.8	-02.91 +008.7	+11.71 +001.9	+05.26 0048	+04.57	+07.07	+01.04	+04.79	+01.09
26	+09.68 +009.9	-02.50 +010.3	+12.21 +002.1	+04.92 0047	+04.79	+07.05	+01.12	+05.80	+01.15
27	+10.02 +010.7	-02.04 +009.2	+12.77 +001.9	+04.27 0086	+03.72	+07.63	+01.14	+05.88	+01.68
28	+10.29 +010.3	-01.72 +008.5	+13.35 +002.0	+03.63 0088	+03.59	+07.53	+01.34	+05.25	+01.17
29	+10.54 +014.1	-01.47 +008.4	+13.91 +001.5	+03.54 0126	+02.13	+08.11	+01.08	+05.81	+01.36
30	+10.79 +016.0	-01.32 +008.6	+14.50 +001.5	+03.29 0125	+02.06	+08.51	+01.18	+06.68	+01.26
31	+11.01 +026.2	-01.20 +008.7	+15.14 +001.5	+02.37 0126	+01.27	+08.92	+01.09	+07.00	+01.68
32	+11.18 +011.0	-01.15 +007.7	+15.77 +001.5	+02.07 0169	+03.09	+08.87	+01.36	+07.23	+01.41
33	+11.30 +012.3	-00.98 +007.3	+16.35 +001.2	+01.66 0162	+02.70	+09.25	+01.11	+06.52	+01.38
34	+11.37 +013.4	-00.84 +007.9	+16.84 +001.3	+00.83 0164	+02.08	+09.50	+01.26	+07.09	+01.41
35	+11.40 +006.8	-00.66 +008.3	+17.56 +001.5	+00.10 0093	-02.50	+11.13	+01.41	+08.77	+02.02
36	+11.37 +018.0	-00.78 +007.1	+18.26 +001.2	-00.56 0166	+01.54	+10.90	+01.35	+07.09	+01.57
37	+11.32 +022.9	-00.74 +009.7	+18.90 +001.5	-01.01 0094	+01.99	+11.33	+01.49	+09.50	+02.01
38	+11.25 +057.0	-00.65 +008.8	+19.49 +001.6	-01.62 0094	-00.70	+12.12	+01.71	+09.31	+02.09
39	+11.18 +033.3	-00.67 +007.3	+19.98 +001.2	-02.29 0164	+01.06	+12.43	+01.48	+07.68	+01.75

FILE:SL043

No.	Xcm DELxy	Ycm DELyz	Zcm DELzx	Um/s Navg	Vm/s	Wm/s	Su	Sv	Sw
1	-05.00 +001.9	-04.99 +008.9	+10.01 +000.5	+11.80 0097	-01.49	-01.71	+00.60	+02.03	+00.49
2	-04.70 +002.2	-05.03 +009.2	+09.96 +000.5	+12.01 0097	-01.71	-01.69	+00.55	+02.37	+00.48
3	-04.41 +002.4	-05.06 +007.1	+09.93 +000.6	+12.14 0097	-02.46	-01.56	+00.63	+02.59	+00.59
4	-04.12 +002.5	-05.13 +011.5	+09.90 +000.5	+12.34 0096	-01.45	-01.96	+00.58	+02.71	+00.57
5	-03.83 +002.3	-05.16 +007.7	+09.85 +000.5	+12.53 0095	-02.34	-02.08	+00.64	+02.59	+00.60
6	-03.55 +002.5	-05.21 +005.9	+09.81 +000.6	+12.72 0096	-03.24	-01.87	+00.69	+02.96	+00.64
7	-02.79 +002.7	-05.38 +007.2	+09.69 +000.6	+13.71 0095	-03.20	-02.09	+00.89	+03.42	+00.73
8	-02.21 +003.0	-05.55 +006.4	+09.60 +000.8	+14.73 0094	-04.11	-01.96	+00.76	+04.10	+00.99
9	-01.90 +003.2	-05.65 +006.6	+09.56 +000.7	+15.55 0096	-04.35	-02.06	+00.93	+04.72	+01.01
10	-01.47 +003.2	-05.79 +009.3	+09.51 +000.7	+16.08 0094	-03.26	-02.07	+01.11	+04.56	+00.96
11	-00.86 +003.8	-05.97 +017.1	+09.44 +000.8	+17.41 0096	-02.32	-02.41	+01.09	+05.97	+01.23
12	-00.57 +003.5	-06.02 +026.5	+09.41 +000.9	+17.69 0095	+00.14	-02.28	+01.09	+05.37	+01.32
13	-00.23 +004.2	-06.03 +035.5	+09.37 +000.9	+18.71 0095	-00.57	-02.14	+01.16	+06.81	+01.42
14	+00.27 +004.0	-06.02 +036.3	+09.32 +001.0	+20.07 0095	-00.99	-01.96	+01.29	+07.03	+01.75
15	+00.76 +004.4	-06.03 +060.1	+09.28 +000.8	+20.72 0096	-00.02	-01.52	+01.25	+07.98	+01.50
16	+01.09 +004.8	-06.03 +055.2	+09.26 +001.1	+21.52 0096	+00.67	-01.35	+01.45	+08.95	+02.07
17	+01.39 +003.9	-06.03 +007.5	+09.25 +000.9	+21.45 0096	+02.55	-01.02	+01.54	+07.32	+01.72
18	+02.11 +004.4	-05.95 +003.7	+09.24 +001.0	+20.47 0096	+04.53	-00.31	+01.75	+08.29	+01.86
19	+02.65 +004.4	-05.79 +005.7	+09.24 +001.2	+20.38 0096	+06.03	+00.86	+01.85	+08.28	+02.06
20	+03.05 +004.5	-05.63 +005.9	+09.26 +001.2	+19.76 0094	+06.94	+01.58	+01.74	+08.49	+02.07

21	+03.49 +003.9	-05.46 +003.9	+09.30 +001.1	+18.25 0093	+09.29	+02.24	+01.58	+07.59	+01.66
22	+03.92 +004.3	-05.23 +004.6	+09.35 +001.2	+17.00 0094	+09.80	+03.21	+01.76	+08.35	+01.86
23	+04.39 +004.4	-04.93 +004.8	+09.45 +001.4	+14.13 0094	+10.45	+04.48	+01.50	+08.24	+01.85
24	+04.79 +003.8	-04.60 +003.7	+09.58 +001.8	+12.53 0094	+14.12	+05.21	+01.89	+08.94	+02.15
25	+05.25 +004.2	-04.18 +005.1	+09.77 +001.8	+09.75 0096	+10.70	+07.33	+01.64	+07.59	+02.01
26	+05.52 +004.0	-03.86 +005.1	+09.96 +002.0	+07.92 0094	+11.92	+07.78	+01.64	+08.57	+02.24
27	+05.79 +004.5	-03.38 +005.7	+10.26 +001.7	+06.06 0095	+09.40	+08.47	+01.32	+07.69	+01.94
28	+06.04 +002.9	-02.94 +005.1	+10.62 +002.0	+03.86 0095	+12.59	+09.41	+01.76	+09.64	+01.77
29	+06.16 +002.1	-02.45 +005.5	+11.01 +001.8	+01.29 0096	+10.42	+10.39	+01.65	+08.37	+02.04
30	+06.18 +003.8	-02.08 +008.8	+11.35 +001.9	+00.46 0096	+06.03	+11.46	+01.87	+10.12	+02.52
31	+06.14 +004.1	-01.74 +007.3	+11.79 +001.9	-01.10 0096	+06.71	+11.95	+01.99	+09.03	+02.13
32	+06.05 +013.7	-01.45 +009.0	+12.22 +001.7	-02.70 0094	+04.21	+13.18	+01.96	+10.59	+02.64
33	+05.96 +012.5	-01.33 +009.2	+12.58 +001.8	-04.73 0095	+05.56	+13.72	+02.25	+11.84	+02.66
34	+05.82 +012.3	-01.19 +006.7	+12.93 +001.1	-06.01 0170	+03.60	+14.40	+01.58	+09.96	+02.47
35	+05.62 +015.7	-01.09 +009.7	+13.38 +001.7	-07.51 0096	+03.82	+15.24	+02.38	+12.98	+02.98
36	+05.39 +013.9	-01.01 +010.0	+13.83 +001.7	-09.02 0094	+05.12	+15.49	+02.26	+14.11	+03.22
37	+05.17 +011.1	-00.90 +007.7	+14.20 +001.0	-10.56 0168	+01.57	+16.29	+01.83	+12.16	+02.04
38	+04.99 +010.8	-00.87 +007.0	+14.47 +001.1	-11.36 0172	-00.95	+17.42	+02.24	+12.49	+02.68
39	+04.81 +010.6	-00.88 +007.1	+14.73 +001.0	-11.64 0173	-01.75	+17.44	+02.01	+13.94	+02.64
40	+04.45 +012.1	-00.95 +008.4	+15.25 +001.1	-12.60 0173	-01.78	+18.29	+02.24	+16.95	+03.15
41	+04.15 +013.0	-01.04 +009.5	+15.68 +001.5	-11.84 0096	-08.68	+19.90	+02.67	+20.61	+04.05
42	+03.96 +010.7	-01.19 +007.7	+15.98 +001.2	-12.93 0178	-05.86	+18.77	+02.48	+18.91	+03.74

43	+03.66 +011.1	-01.34 +008.5	+16.42 +001.9	-12.80 0095	-11.50	+20.12	+03.44	+21.80	+04.89
44	+03.40 +007.6	-01.61 +006.5	+16.83 +002.0	-12.91 0095	-17.44	+20.98	+03.86	+23.28	+05.12
45	+03.17 +008.0	-01.94 +007.2	+17.20 +002.2	-12.29 0096	-18.47	+22.58	+04.59	+27.09	+05.56
46	+02.97 +008.4	-02.27 +007.3	+17.56 +002.0	-12.36 0095	-18.02	+23.67	+04.04	+27.29	+05.95
47	+02.78 +007.2	-02.58 +007.1	+17.92 +002.2	-12.17 0097	-22.56	+25.81	+05.29	+32.11	+06.37
48	+02.66 +004.7	-02.78 +005.3	+18.17 +001.8	-11.73 0096	-26.92	+28.33	+04.56	+28.28	+05.39

FILE:SL044

No.	Xcm DELxy	Ycm DELyz	Zcm DELzx	Um/s Navg	Vm/s	Wm/s	Su	Sv	Sw
1	-05.00 +002.7	-04.99 +012.3	+10.01 +000.6	+12.86 0048	-01.59	-01.97	+00.67	+02.17	+00.47
2	-04.70 +003.6	-05.03 +017.7	+09.96 +000.7	+12.92 0048	-01.34	-02.13	+00.68	+02.94	+00.56
3	-04.42 +003.2	-05.05 +014.8	+09.92 +000.6	+12.90 0047	-01.46	-02.12	+00.72	+02.56	+00.46
4	-04.13 +003.5	-05.08 +012.6	+09.87 +000.8	+13.17 0048	-02.15	-02.28	+00.51	+02.87	+00.67
5	-03.65 +004.1	-05.15 +010.8	+09.79 +000.9	+13.49 0048	-03.13	-02.50	+00.76	+03.63	+00.74
6	-03.18 +004.3	-05.26 +016.2	+09.71 +001.0	+14.18 0048	-02.24	-02.70	+00.83	+03.91	+00.88
7	-02.50 +004.3	-05.40 +012.2	+09.58 +001.0	+14.74 0047	-03.27	-02.94	+01.18	+04.07	+00.91
8	-01.95 +005.2	-05.52 +018.8	+09.47 +001.4	+15.81 0048	-02.47	-03.21	+01.30	+05.12	+01.35
9	-01.37 +005.6	-05.63 +023.5	+09.35 +001.5	+17.19 0048	-01.94	-03.58	+01.28	+06.02	+01.64
10	-00.83 +005.8	-05.70 +021.7	+09.24 +001.2	+18.71 0049	-03.05	-03.14	+01.36	+06.96	+01.46
11	-00.07 +007.4	-05.83 +039.5	+09.12 +001.9	+21.03 0048	+00.70	-03.66	+01.82	+09.64	+02.48
12	+00.72 +006.1	-05.78 +030.7	+08.98 +001.5	+24.77 0047	+01.90	-03.17	+02.64	+09.19	+02.38
13	+01.43 +008.2	-05.69 +010.1	+08.90 +002.3	+26.00 0048	+05.79	-03.01	+01.72	+13.91	+03.74
14	+02.09 +009.1	-05.51 +029.6	+08.84 +002.1	+26.99 0047	+01.32	-00.34	+02.48	+15.23	+03.45
15	+02.75 +007.4	-05.43 +008.3	+08.84 +002.0	+26.41 0047	+07.21	+00.24	+02.94	+12.98	+03.28
16	+03.28 +005.5	-05.27 +003.0	+08.85 +002.6	+25.17 0047	+19.97	-00.48	+02.76	+13.67	+03.97
17	+03.94 +007.0	-04.82 +005.8	+08.85 +002.4	+21.69 0047	+17.06	+04.14	+03.76	+14.57	+03.27
18	+04.43 +007.9	-04.39 +008.8	+08.94 +003.3	+17.09 0047	+15.66	+07.20	+03.11	+14.80	+03.92
19	+04.85 +006.6	-03.92 +007.7	+09.11 +003.3	+12.66 0047	+16.58	+08.64	+02.41	+13.41	+03.39
20	+05.26 +004.7	-03.40 +006.6	+09.43 +003.0	+07.79 0048	+18.58	+10.64	+02.43	+13.84	+02.50

21	+05.48 +005.2	-02.90 +009.4	+09.78 +002.6	+04.13 0047	+13.23	+13.90	+02.26	+12.85	+03.01
22	+05.58 +004.2	-02.20 +010.0	+10.39 +002.4	-01.06 0048	+11.09	+17.97	+02.63	+13.53	+03.36
23	+05.42 +005.6	-01.72 +007.5	+11.04 +001.6	-04.47 0085	+11.23	+18.00	+02.34	+11.00	+02.65
24	+05.16 +007.1	-01.30 +007.0	+11.62 +001.6	-08.71 0087	+11.49	+18.99	+02.43	+12.35	+03.02
25	+04.86 +014.9	-00.97 +008.1	+12.10 +001.3	-10.32 0086	+03.22	+20.68	+01.77	+12.30	+03.08
26	+04.56 +013.9	-00.90 +008.1	+12.57 +001.3	-12.55 0088	+00.94	+21.03	+02.15	+13.19	+03.24
27	+04.20 +010.6	-00.90 +008.9	+13.12 +001.5	-13.13 0086	+08.26	+20.32	+03.18	+14.53	+02.33
28	+03.87 +016.3	-00.76 +009.5	+13.63 +001.6	-12.57 0086	-03.46	+21.72	+03.01	+15.71	+02.81
29	+03.56 +015.5	-00.87 +009.2	+14.15 +001.4	-12.53 0126	-00.26	+20.91	+02.76	+17.22	+03.77
30	+03.22 +019.1	-00.90 +009.9	+14.71 +001.7	-10.85 0171	-00.63	+20.89	+04.11	+20.43	+04.85
31	+02.87 +019.7	-00.95 +009.4	+15.39 +001.6	-11.02 0213	+02.02	+23.27	+04.73	+24.74	+06.21

FILE:SL045

No.	Xcm DELxy	Ycm DELyz	Zcm DELzx	Um/s Navg	Vm/s	Wm/s	Su	Sv	Sw
1	-04.99 +003.6	-03.99 +014.2	+10.00 +000.9	+12.25 0048	-01.91	-02.13	+00.57	+02.86	+00.69
2	-04.70 +003.0	-04.03 +011.1	+09.95 +000.7	+12.15 0047	-01.84	-02.38	+00.63	+02.25	+00.53
3	-04.42 +003.5	-04.09 +009.4	+09.90 +000.8	+12.66 0048	-03.03	-02.23	+00.70	+02.94	+00.64
4	-04.14 +003.1	-04.16 +006.8	+09.86 +000.7	+12.71 0047	-03.54	-02.14	+00.58	+02.63	+00.52
5	-03.86 +003.9	-04.23 +012.8	+09.81 +000.9	+12.70 0049	-02.42	-02.48	+00.83	+03.22	+00.75
6	-03.57 +003.9	-04.29 +010.8	+09.76 +001.0	+12.82 0048	-02.97	-02.78	+00.90	+03.23	+00.80
7	-02.79 +005.7	-04.49 +015.1	+09.60 +001.4	+13.54 0048	-03.24	-03.33	+01.14	+05.03	+01.24
8	-02.30 +006.0	-04.59 +013.2	+09.47 +001.7	+13.84 0047	-04.35	-03.35	+01.40	+05.62	+01.42
9	-01.57 +006.9	-04.80 +020.4	+09.29 +001.9	+15.35 0085	-02.94	-04.13	+02.02	+07.76	+02.32
10	-00.92 +007.8	-04.94 +030.2	+09.11 +002.1	+18.61 0089	-00.32	-04.66	+02.70	+10.88	+03.21
11	-00.43 +009.6	-04.94 +042.1	+08.99 +002.4	+21.05 0089	-02.41	-03.89	+02.81	+15.65	+04.10
12	+00.08 +008.2	-04.98 +048.3	+08.89 +002.2	+24.12 0086	-00.68	-04.15	+03.32	+15.36	+04.62
13	+00.76 +009.4	-04.98 +114.3	+08.79 +002.4	+27.91 0089	-00.92	-02.15	+03.52	+19.40	+05.02
14	+01.40 +007.8	-04.96 +585.5	+08.76 +002.2	+29.92 0129	-00.02	+00.38	+03.30	+21.41	+05.41
15	+01.93 +008.8	-04.96 +092.2	+08.79 +002.4	+32.00 0088	+00.26	+03.04	+03.05	+23.62	+06.40
16	+02.63 +009.3	-04.95 +036.3	+08.88 +002.5	+30.51 0084	+04.92	+03.97	+03.03	+19.24	+04.61
17	+03.12 +008.7	-04.86 +025.0	+08.96 +002.2	+29.44 0090	+06.36	+06.63	+03.76	+20.04	+05.15
18	+03.72 +008.9	-04.71 +010.5	+09.11 +003.1	+26.21 0046	+15.79	+05.55	+03.64	+18.71	+05.08
19	+04.30 +009.2	-04.33 +014.7	+09.25 +002.5	+23.10 0086	+10.28	+11.05	+03.66	+19.33	+05.06
20	+04.84 +009.2	-04.03 +011.1	+09.51 +002.3	+16.17 0126	+10.92	+13.42	+02.71	+20.52	+05.77

21	+05.31 +005.5	-03.64 +007.6	+09.84 +002.3	+09.29 0134	+17.20	+15.12	+02.91	+20.04	+05.24
22	+05.55 +003.5	-03.12 +009.1	+10.28 +003.5	+03.31 0047	+22.05	+16.04	+03.51	+21.23	+04.13
23	+05.60 +003.8	-02.45 +009.6	+10.87 +002.3	-03.55 0048	+17.86	+19.49	+02.66	+17.99	+04.17
24	+05.42 +006.9	-01.89 +007.7	+11.41 +001.6	-08.12 0088	+13.64	+22.01	+02.79	+15.68	+04.38
25	+05.09 +008.9	-01.43 +007.9	+11.97 +001.4	-10.07 0086	+11.36	+22.02	+02.73	+15.49	+02.46
26	+04.77 +008.1	-01.13 +009.4	+12.45 +001.7	-05.81 0166	+08.90	+12.53	+01.80	+15.78	+03.38
27	+04.61 +010.3	-00.89 +006.7	+12.74 +000.9	-12.14 0188	+03.23	+20.05	+02.23	+16.40	+03.14
28	+04.43 +011.8	-00.92 +007.7	+12.99 +001.1	-12.45 0189	+04.49	+21.33	+02.63	+20.34	+04.58
29	+04.38 +011.5	-00.90 +006.4	+13.08 +001.1	-12.58 0190	-00.72	+22.41	+03.09	+17.79	+04.33
30	+04.15 +011.4	-00.94 +007.2	+13.51 +001.1	-13.35 0188	+01.66	+21.52	+03.08	+18.82	+04.04
31	+03.93 +013.3	-00.96 +008.1	+13.88 +001.2	-12.36 0191	+02.33	+20.99	+03.15	+20.79	+04.90
32	+03.76 +012.9	-00.93 +007.7	+14.18 +001.3	-12.74 0189	-02.12	+21.41	+03.62	+20.69	+04.63
33	+03.61 +012.5	-00.95 +007.3	+14.44 +001.4	-11.58 0190	-05.13	+21.39	+03.99	+21.02	+04.86
34	+03.29 +015.0	-01.08 +008.4	+15.03 +001.8	-10.63 0190	-06.42	+22.42	+05.17	+26.48	+06.30
35	+03.09 +019.3	-01.24 +009.5	+15.44 +002.0	-09.80 0192	-04.81	+22.32	+05.82	+28.78	+07.31
36	+02.92 +014.6	-01.35 +007.9	+15.85 +002.0	-09.38 0188	-07.93	+25.18	+06.46	+28.18	+06.60
37	+02.81 +028.1	-01.44 +010.1	+16.15 +001.8	-09.39 0189	-01.29	+26.02	+05.77	+32.77	+07.63
38	+02.71 +023.7	-01.44 +009.5	+16.44 +001.7	-10.87 0189	-03.68	+28.74	+05.91	+34.96	+08.30
39	+02.55 +031.7	-01.46 +009.4	+16.89 +001.7	-09.49 0192	+00.79	+32.35	+06.84	+37.34	+08.48
40	+02.44 +022.5	-01.42 +009.8	+17.32 +001.2	-09.42 0191	+07.62	+35.53	+05.06	+43.28	+09.77
41	+02.34 +013.4	-01.28 +008.8	+17.72 +001.3	-09.43 0193	+13.06	+39.14	+06.30	+44.94	+09.93

FILE:SL046

No.	Xcm DELxy	Ycm DELyz	Zcm DELzx	Um/s Navg	Vm/s	Wm/s	Su	Sv	Sw
1	-05.00 +003.9	+04.00 +006.6	+10.00 +001.0	+11.97 0048	+02.57	-01.79	+00.70	+03.03	+00.73
2	-04.71 +003.6	+04.06 +006.3	+09.95 +000.7	+12.01 0047	+02.75	-01.86	+00.56	+02.77	+00.55
3	-04.42 +004.2	+04.15 +008.5	+09.91 +000.9	+12.12 0049	+02.47	-01.98	+00.89	+03.23	+00.66
4	-04.14 +004.2	+04.23 +007.4	+09.86 +000.9	+12.10 0048	+02.80	-02.14	+00.66	+03.27	+00.69
5	-03.86 +003.9	+04.30 +004.4	+09.81 +000.9	+12.46 0047	+03.74	-02.14	+00.85	+03.18	+00.69
6	-03.58 +005.6	+04.41 +019.6	+09.77 +001.3	+12.72 0049	+01.54	-02.02	+00.93	+04.48	+01.01
7	-02.88 +006.1	+04.51 +006.0	+09.65 +001.6	+13.48 0048	+04.58	-02.63	+01.30	+05.56	+01.33
8	-02.60 +007.0	+04.62 +004.7	+09.60 +002.0	+14.27 0048	+05.70	-02.53	+01.03	+07.16	+01.79
9	-02.12 +006.8	+04.83 +004.5	+09.51 +001.7	+15.42 0048	+07.98	-03.57	+01.25	+08.18	+01.64
10	-01.54 +007.6	+05.20 +009.4	+09.38 +001.9	+16.77 0047	+04.63	-02.83	+01.04	+08.35	+01.99
11	-00.95 +007.3	+05.43 +008.8	+09.27 +001.8	+17.68 0048	+05.33	-03.50	+00.90	+08.56	+02.01
12	-00.48 +009.7	+05.59 +041.8	+09.18 +001.9	+18.22 0046	+01.76	-02.82	+01.16	+10.85	+02.17
13	+00.26 +009.4	+05.64 +013.3	+09.06 +002.1	+20.73 0048	+05.51	-03.63	+01.53	+12.80	+02.76
14	+00.89 +008.6	+05.76 +059.4	+08.96 +001.7	+21.52 0047	-01.52	-02.51	+01.36	+11.25	+02.23
15	+01.44 +006.7	+05.71 +032.3	+08.90 +001.5	+22.44 0087	+01.85	-03.15	+01.43	+09.87	+02.33
16	+02.10 +008.8	+05.73 +021.9	+08.82 +002.0	+22.62 0048	-04.04	-01.07	+01.68	+12.73	+02.77
17	+02.67 +006.9	+05.62 +012.1	+08.80 +001.6	+22.21 0086	-05.07	-01.03	+01.40	+11.31	+02.54
18	+03.32 +006.6	+05.43 +002.9	+08.79 +001.8	+20.50 0048	-09.09	+00.88	+01.28	+09.95	+02.32
19	+03.92 +006.8	+05.15 +001.9	+08.83 +002.2	+18.53 0048	-14.43	+02.65	+01.46	+12.34	+02.61
20	+04.40 +007.2	+04.70 +003.2	+08.91 +002.4	+17.26 0048	-12.00	+04.61	+02.40	+11.22	+02.66

21	+04.89 +004.9	+04.29 +002.7	+09.04 +001.9	+13.91 0046	-15.46	+06.51	+01.76	+09.22	+01.82
22	+05.39 +005.2	+03.78 +002.9	+09.31 +003.0	+10.59 0048	-16.32	+08.68	+01.49	+11.38	+03.11
23	+05.75 +007.8	+03.32 +006.5	+09.60 +002.5	+07.43 0047	-10.00	+09.26	+01.55	+09.82	+02.31
24	+06.09 +007.7	+02.90 +007.8	+10.05 +003.1	+04.36 0047	-09.36	+10.10	+02.09	+10.62	+02.44
25	+06.27 +005.7	+02.35 +008.6	+10.67 +002.4	+02.59 0048	-09.86	+12.31	+01.82	+12.52	+02.95
26	+06.31 +004.5	+01.85 +007.8	+11.29 +002.0	-00.68 0086	-07.24	+13.90	+02.21	+11.02	+02.74
27	+06.20 +011.6	+01.52 +008.5	+11.88 +001.7	-03.35 0085	-06.42	+15.60	+02.19	+11.68	+02.89
28	+06.01 +013.3	+01.29 +010.0	+12.45 +003.0	-06.30 0048	-08.81	+17.45	+03.48	+14.38	+02.93
29	+05.76 +018.2	+01.02 +009.5	+12.98 +002.1	-07.80 0089	-05.30	+18.21	+02.92	+15.48	+04.41
30	+05.49 +015.4	+00.88 +008.2	+13.50 +001.5	-09.86 0127	-00.55	+18.48	+02.62	+13.63	+02.90
31	+05.20 +013.3	+00.88 +008.0	+13.99 +001.5	-12.09 0123	-00.69	+19.51	+02.52	+12.89	+03.34
32	+04.82 +014.1	+00.90 +010.1	+14.59 +001.7	-11.50 0084	+05.17	+19.02	+02.85	+12.91	+02.55
33	+04.45 +014.9	+01.14 +008.6	+15.18 +001.5	-12.17 0124	-00.96	+21.40	+02.96	+17.86	+04.08
34	+04.10 +015.7	+01.18 +008.7	+15.76 +001.8	-11.15 0130	+02.79	+21.62	+04.17	+19.03	+04.52
35	+03.84 +012.4	+01.28 +009.6	+16.26 +002.1	-10.93 0129	+08.54	+20.74	+04.56	+20.63	+05.16
36	+03.62 +011.4	+01.45 +008.9	+16.70 +001.9	-09.63 0177	+09.84	+22.01	+04.71	+25.90	+06.75
37	+03.35 +008.9	+01.73 +009.4	+17.35 +002.0	-08.58 0175	+14.50	+24.26	+05.15	+32.85	+08.82
38	+03.17 +035.8	+02.12 +009.3	+17.88 +001.8	-07.42 0169	+02.88	+30.55	+06.14	+30.80	+08.11
39	+03.04 +045.3	+02.25 +009.8	+18.49 +001.7	-07.76 0132	-01.09	+34.89	+05.58	+31.74	+07.25
40	+02.95 +008.9	+02.24 +008.9	+18.98 +001.5	-05.18 0182	+14.10	+38.33	+05.71	+42.98	+10.37
41	+02.89 +003.3	+02.42 +007.4	+19.59 +001.4	-05.74 0191	+27.92	+38.89	+06.78	+48.32	+09.59
42	+02.84 +002.7	+02.74 +006.9	+20.08 +001.4	-04.87 0192	+29.64	+42.46	+06.95	+47.64	+10.92

43	+02.80 +001.7	+03.13 +005.5	+20.56 +001.3	-04.21 0193	+41.04	+43.67	+07.24	+48.05	+11.01
44	+02.78 +001.2	+03.63 +004.8	+20.95 +001.4	-03.27 0195	+53.53	+42.99	+07.44	+53.32	+12.48
45	+02.77 +001.5	+04.08 +005.3	+21.24 +001.6	-01.06 0195	+47.50	+44.20	+08.67	+53.69	+10.99
46	+02.78 +002.6	+04.53 +008.1	+21.59 +002.1	+01.14 0092	+39.14	+45.76	+07.69	+46.56	+12.09
47	+02.80 +002.0	+04.93 +007.1	+22.00 +002.3	+03.89 0093	+54.42	+41.98	+07.83	+52.92	+12.40
48	+02.83 +002.8	+05.41 +008.2	+22.37 +003.8	+05.23 0048	+60.27	+39.99	+09.43	+49.70	+12.15
49	+02.89 +004.4	+06.02 +009.9	+22.80 +003.0	+09.71 0048	+44.44	+38.73	+07.32	+45.52	+10.48

FILE:SL047

No.	Xcm DELxy	Ycm DELYz	Zcm DELzx	Um/s Navg	Vm/s	Wm/s	Su	Sv	Sw
1	-05.00 +001.8	+05.00 +006.0	+10.00 +000.4	+12.04 0096	+01.52	-01.49	+00.57	+01.88	+00.39
2	-04.70 +001.8	+05.04 +002.2	+09.97 +000.4	+12.26 0095	+03.29	-01.81	+00.57	+01.99	+00.44
3	-04.42 +002.0	+05.13 +003.7	+09.92 +000.4	+12.51 0095	+02.74	-01.77	+00.50	+02.32	+00.43
4	-04.13 +002.9	+05.21 +007.2	+09.89 +000.5	+12.67 0049	+02.24	-01.78	+00.88	+02.38	+00.41
5	-03.84 +003.2	+05.29 +007.9	+09.85 +000.7	+12.78 0049	+02.23	-01.95	+00.63	+02.63	+00.53
6	-03.56 +004.3	+05.35 +009.5	+09.80 +001.1	+12.90 0049	+02.31	-01.98	+00.79	+03.54	+00.87
7	-03.00 +003.5	+05.43 +012.5	+09.72 +000.5	+13.63 0048	+01.81	-01.76	+00.77	+03.04	+00.45
8	-02.49 +004.2	+05.49 +007.9	+09.65 +001.0	+14.36 0048	+02.78	-02.01	+00.82	+03.78	+00.92
9	-02.16 +004.1	+05.56 +005.4	+09.61 +000.9	+14.69 0048	+03.95	-02.38	+00.81	+03.94	+00.86
10	-01.81 +005.5	+05.66 +014.4	+09.55 +001.1	+14.94 0048	+02.43	-02.22	+01.08	+05.12	+01.01
11	-01.51 +005.7	+05.73 +028.3	+09.51 +001.1	+15.98 0048	+01.33	-02.12	+00.86	+05.63	+01.09
12	-00.96 +006.7	+05.81 +070.4	+09.43 +001.5	+16.84 0048	-00.15	-01.65	+01.05	+07.04	+01.54
13	-00.56 +007.2	+05.82 +052.1	+09.40 +001.5	+17.59 0047	-01.25	-01.91	+00.91	+07.85	+01.61
14	-00.06 +006.8	+05.76 +030.3	+09.35 +001.4	+18.65 0047	+01.68	-02.71	+01.35	+07.68	+01.62
15	+00.44 +009.0	+05.78 +023.0	+09.29 +001.9	+20.03 0048	-04.23	-01.98	+01.13	+11.57	+02.32
16	+00.76 +007.4	+05.72 +036.9	+09.26 +001.7	+20.51 0048	+01.69	-02.39	+01.12	+09.35	+02.13
17	+01.09 +009.0	+05.76 +013.2	+09.23 +001.8	+20.56 0047	-05.57	-01.30	+01.08	+12.15	+02.26
18	+01.45 +010.1	+05.67 +030.8	+09.21 +002.3	+21.29 0048	-03.81	-01.69	+01.30	+13.69	+03.05
19	+01.97 +008.3	+05.56 +006.3	+09.17 +002.1	+21.04 0047	-07.92	-00.33	+01.51	+12.27	+02.68
20	+02.47 +011.0	+05.35 +008.0	+09.17 +002.6	+21.84 0048	-07.95	-00.30	+02.01	+16.65	+03.48

21	+02.91 +008.6	+05.15 +002.6	+09.18 +002.4	+21.04 0047	-14.45	+01.47	+01.58	+16.03	+03.19
22	+03.20 +008.5	+04.97 +002.5	+09.20 +002.9	+19.88 0047	-14.51	+02.55	+01.87	+15.87	+03.63
23	+03.60 +010.7	+04.64 +005.1	+09.26 +003.1	+18.71 0047	-11.29	+04.10	+02.68	+16.77	+03.72
24	+04.00 +006.7	+04.36 +002.4	+09.36 +003.0	+16.71 0047	-18.96	+05.62	+03.00	+15.38	+03.26
25	+04.38 +004.9	+04.01 +002.2	+09.49 +003.0	+13.85 0048	-21.98	+08.13	+02.58	+14.04	+03.19
26	+04.63 +006.7	+03.73 +003.8	+09.62 +003.9	+11.82 0047	-18.07	+09.11	+03.72	+14.94	+03.51
27	+04.91 +005.8	+03.38 +004.8	+09.82 +003.3	+09.02 0047	-19.11	+10.96	+02.40	+17.08	+03.46
28	+05.07 +005.1	+02.98 +005.6	+10.05 +003.1	+06.31 0048	-17.47	+11.79	+02.28	+16.37	+03.37
29	+05.20 +003.7	+02.51 +006.2	+10.37 +003.2	+02.51 0047	-15.67	+13.71	+02.74	+14.91	+03.42
30	+05.23 +004.8	+02.05 +008.2	+10.74 +003.7	-00.11 0047	-12.23	+15.44	+03.54	+14.88	+03.50
31	+05.15 +010.1	+01.62 +010.5	+11.17 +003.1	-03.39 0047	-08.97	+15.13	+02.91	+14.61	+03.31
32	+05.01 +014.2	+01.35 +010.2	+11.53 +002.4	-06.04 0047	-08.59	+17.88	+02.68	+15.05	+03.34
33	+04.85 +019.1	+01.17 +012.1	+11.88 +002.8	-07.80 0047	-07.29	+18.05	+03.18	+16.68	+03.80
34	+04.68 +016.9	+01.03 +011.6	+12.20 +002.7	-08.34 0048	-08.38	+18.75	+03.22	+17.30	+03.93
35	+04.51 +018.1	+00.89 +011.1	+12.56 +002.2	-10.10 0048	-07.35	+20.25	+02.81	+16.88	+04.18
36	+04.35 +022.1	+00.81 +013.2	+12.88 +002.5	-11.53 0048	-04.53	+19.89	+03.21	+17.87	+04.28
37	+04.17 +023.8	+00.77 +014.4	+13.20 +002.5	-10.67 0048	-04.78	+19.32	+03.11	+18.72	+03.99
38	+03.92 +021.6	+00.68 +013.3	+13.65 +002.5	-12.22 0048	-03.99	+20.04	+03.32	+17.79	+04.12
39	+03.68 +019.0	+00.62 +014.7	+14.05 +002.8	-13.44 0047	+04.02	+18.97	+03.80	+16.95	+04.02
40	+03.40 +029.5	+00.72 +018.0	+14.45 +003.1	-11.74 0048	-05.59	+21.16	+04.56	+26.11	+05.13
41	+03.14 +025.6	+00.66 +015.7	+14.90 +002.4	-13.56 0047	-05.94	+23.34	+03.69	+24.94	+04.90
42	+02.94 +028.7	+00.58 +018.8	+15.23 +002.9	-13.37 0048	-06.12	+22.59	+04.56	+28.80	+04.95

43	+02.65 +019.8	+00.43 +014.2	+15.74 +003.0	-15.15 0048	-10.68	+24.91	+05.10	+27.61	+05.76
44	+02.41 +020.5	+00.21 +012.6	+16.14 +002.6	-14.61 0047	-09.55	+27.72	+04.66	+25.54	+05.54
45	+02.24 +018.0	+00.08 +012.4	+16.44 +002.6	-14.85 0048	-13.06	+29.82	+05.25	+28.80	+05.80
46	+02.04 +018.8	-00.14 +013.5	+16.83 +002.4	-14.28 0048	-15.48	+32.27	+04.77	+35.81	+06.84

FILE:SL048

No.	Xcm DELxy	Ycm DELyz	Zcm DELzx	Um/s Navg	Vm/s	Wm/s	Su	Sv	Sw
1	-05.00 +002.2	+06.27 +006.7	+10.00 +000.4	+14.41 0048	+02.17	-02.12	+01.07	+02.01	+00.34
2	-04.51 +002.9	+06.35 +010.7	+09.93 +000.6	+10.94 0048	+01.12	-00.81	+00.49	+01.97	+00.43
3	-04.02 +002.5	+06.41 +004.9	+09.90 +000.6	+13.96 0047	+02.84	-02.06	+00.59	+02.24	+00.49
4	-03.53 +002.9	+06.52 +014.1	+09.83 +000.6	+14.68 0048	+01.17	-02.17	+00.65	+02.65	+00.55
5	-03.05 +003.1	+06.58 +010.6	+09.76 +000.7	+15.34 0048	+01.96	-02.28	+00.66	+02.99	+00.65
6	-02.56 +003.2	+06.67 +009.0	+09.70 +000.7	+15.32 0049	+02.30	-02.52	+00.59	+03.06	+00.69
7	-01.75 +002.9	+06.82 +011.6	+09.55 +000.6	+16.10 0047	+01.78	-02.18	+00.76	+02.90	+00.61
8	-01.10 +003.8	+06.91 +014.4	+09.46 +000.9	+16.08 0048	+01.80	-02.23	+00.67	+03.80	+00.87
9	-00.55 +003.4	+07.00 +020.8	+09.38 +000.7	+16.23 0047	-01.56	-01.53	+00.63	+03.41	+00.69
10	+00.44 +004.2	+06.92 +006.0	+09.30 +000.7	+16.78 0047	-03.96	-00.81	+00.60	+04.55	+00.69
11	+01.11 +004.0	+06.74 +009.6	+09.28 +000.8	+17.06 0048	-03.23	-01.01	+00.77	+04.31	+00.86
12	+01.75 +005.9	+06.59 +017.7	+09.26 +001.5	+18.42 0048	-03.34	-01.31	+00.88	+06.97	+01.67
13	+02.35 +004.1	+06.47 +003.6	+09.23 +001.0	+18.60 0048	-06.43	-00.46	+00.84	+05.24	+01.13
14	+02.85 +005.1	+06.30 +005.4	+09.22 +001.2	+18.68 0048	-04.87	-00.20	+01.10	+06.28	+01.43
15	+03.37 +004.7	+06.16 +001.5	+09.23 +001.3	+18.55 0049	-11.16	+01.02	+01.11	+07.34	+01.44
16	+04.11 +004.2	+05.72 +001.2	+09.28 +001.5	+16.80 0047	-12.47	+02.41	+01.14	+06.79	+01.55
17	+04.62 +004.1	+05.30 +001.4	+09.36 +001.2	+15.49 0047	-11.06	+02.95	+01.45	+05.73	+01.16
18	+05.13 +004.3	+04.90 +001.6	+09.46 +001.8	+13.73 0047	-12.92	+04.51	+01.38	+06.71	+01.60
19	+05.57 +003.9	+04.45 +001.7	+09.60 +001.9	+11.49 0047	-13.85	+05.75	+01.16	+06.59	+01.64
20	+06.06 +005.3	+03.94 +003.2	+09.85 +002.1	+09.32 0048	-10.07	+06.14	+01.16	+06.43	+01.58

21	+06.56 +005.2	+03.40 +004.3	+10.22 +002.2	+07.17 0048	-11.36	+07.58	+01.35	+07.87	+01.46
22	+06.91 +005.9	+02.92 +004.9	+10.61 +002.4	+05.89 0048	-09.82	+08.21	+01.13	+07.88	+02.05
23	+07.21 +011.2	+02.47 +009.6	+11.03 +002.3	+04.41 0047	-05.98	+08.38	+01.03	+08.56	+02.08
24	+07.45 +006.1	+02.00 +007.8	+11.60 +002.2	+02.96 0047	-08.50	+10.14	+01.37	+09.46	+01.99
25	+07.56 +009.5	+01.47 +009.0	+12.23 +001.5	+01.35 0130	-03.73	+10.06	+01.35	+09.07	+01.75
26	+07.57 +005.2	+01.22 +008.1	+12.87 +001.6	+00.29 0128	-03.52	+10.93	+01.66	+07.92	+01.66
27	+07.53 +014.5	+01.03 +009.2	+13.48 +001.6	-01.56 0086	-03.50	+12.22	+01.48	+09.75	+02.26
28	+07.42 +016.0	+00.89 +008.4	+14.06 +001.4	-02.93 0124	-03.80	+13.10	+01.73	+10.30	+01.93
29	+07.26 +019.8	+00.75 +009.4	+14.64 +001.6	-04.82 0082	-03.25	+14.14	+01.65	+09.94	+01.88
30	+07.07 +018.3	+00.66 +008.3	+15.15 +001.4	-06.48 0131	-02.32	+15.06	+01.88	+12.74	+02.47
31	+06.77 +018.6	+00.61 +009.9	+15.74 +001.7	-07.86 0084	-03.88	+16.27	+02.06	+11.67	+02.44
32	+06.45 +013.5	+00.50 +008.1	+16.32 +001.3	-09.46 0123	-00.03	+16.06	+02.05	+10.75	+02.33
33	+06.18 +013.7	+00.51 +009.0	+16.76 +001.6	-10.94 0085	-05.40	+17.85	+02.41	+13.48	+02.78
34	+05.85 +014.0	+00.37 +009.4	+17.26 +001.4	-11.12 0087	-03.25	+17.10	+02.17	+13.54	+02.05
35	+05.48 +012.3	+00.26 +008.3	+17.81 +001.4	-11.93 0084	-03.42	+17.47	+01.97	+10.78	+02.44
36	+05.03 +011.0	+00.11 +007.9	+18.46 +001.5	-12.64 0130	-05.56	+18.27	+02.64	+15.30	+03.53

FILE:SL049

No.	Xcm DELxy	Ycm DELYz	Zcm DELzx	Um/s Navg	Vm/s	Wm/s	Su	Sv	Sw
1	-05.00 +002.7	+07.50 +010.4	+10.01 +000.5	+13.72 0049	+01.58	-01.73	+00.44	+02.34	+00.45
2	-04.50 +002.5	+07.56 +015.7	+09.94 +000.5	+13.99 0047	+00.86	-01.60	+00.46	+02.16	+00.45
3	-04.01 +002.7	+07.60 +018.6	+09.89 +000.5	+13.87 0049	+00.67	-01.61	+00.61	+02.33	+00.45
4	-03.52 +002.3	+07.62 +007.1	+09.84 +000.5	+14.32 0047	+01.91	-01.86	+00.55	+01.98	+00.40
5	-03.03 +002.8	+07.69 +015.8	+09.78 +000.6	+14.78 0047	+00.99	-01.83	+00.41	+02.54	+00.55
6	-02.54 +002.6	+07.75 +013.2	+09.72 +000.6	+15.12 0048	+01.23	-01.93	+00.56	+02.47	+00.55
7	-01.79 +002.5	+07.86 +014.5	+09.63 +000.6	+15.54 0047	+01.08	-01.69	+00.65	+02.40	+00.55
8	-01.28 +002.9	+07.90 +027.1	+09.58 +000.6	+16.15 0048	+00.44	-01.54	+00.60	+02.86	+00.58
9	-00.56 +003.0	+07.94 +029.8	+09.51 +000.5	+16.56 0048	-00.07	-01.70	+00.66	+03.12	+00.55
10	+00.29 +003.6	+07.94 +030.5	+09.43 +000.8	+17.38 0047	-00.58	-01.91	+00.77	+03.73	+00.86
11	+01.05 +003.6	+07.91 +031.6	+09.36 +000.6	+17.04 0046	-00.76	-01.65	+00.56	+03.65	+00.65
12	+01.55 +003.5	+07.90 +008.7	+09.31 +000.8	+17.80 0048	-03.37	-01.16	+00.52	+04.02	+00.80
13	+02.20 +003.5	+07.76 +006.5	+09.28 +000.8	+18.04 0048	-04.00	-00.87	+00.93	+04.01	+00.91
14	+02.91 +003.3	+07.59 +005.0	+09.25 +000.9	+17.83 0047	-04.47	-00.60	+00.76	+03.81	+00.94
15	+03.58 +002.8	+07.39 +002.4	+09.24 +000.7	+17.64 0048	-05.02	+00.05	+00.90	+03.31	+00.76
16	+04.16 +003.8	+07.23 +001.7	+09.26 +001.0	+16.54 0048	-07.34	+00.59	+00.80	+04.68	+01.03
17	+04.69 +002.9	+06.98 +001.0	+09.28 +000.8	+16.46 0048	-08.01	+01.50	+00.92	+03.62	+00.79
18	+05.35 +003.4	+06.64 +001.2	+09.34 +000.9	+15.51 0048	-07.97	+01.85	+01.01	+04.14	+00.90
19	+05.96 +003.9	+06.31 +001.9	+09.42 +000.8	+14.50 0049	-08.98	+02.84	+00.85	+04.87	+00.75
20	+06.49 +003.6	+05.99 +001.7	+09.53 +001.0	+13.58 0049	-08.58	+03.04	+00.80	+04.24	+00.83

21	+07.09 +003.9	+05.62 +002.2	+09.68 +001.1	+12.37 0047	-08.58	+03.68	+00.78	+04.40	+00.85
22	+07.79 +003.9	+05.14 +002.5	+09.91 +001.2	+10.89 0047	-08.87	+04.84	+00.62	+04.29	+00.94
23	+08.41 +005.2	+04.66 +003.8	+10.21 +001.6	+10.11 0049	-07.74	+05.30	+00.71	+05.17	+01.21
24	+09.02 +005.3	+04.21 +004.3	+10.57 +001.4	+08.83 0047	-06.71	+05.59	+00.68	+04.47	+00.99
25	+09.58 +006.0	+03.80 +005.0	+10.96 +001.6	+08.35 0047	-06.48	+05.93	+00.85	+04.85	+01.07
26	+10.02 +007.8	+03.49 +007.0	+11.29 +001.8	+07.69 0047	-05.55	+06.07	+01.20	+05.44	+01.06
27	+10.50 +007.8	+03.16 +006.8	+11.69 +002.0	+07.30 0047	-05.68	+06.16	+01.11	+05.63	+01.25
28	+10.90 +006.7	+02.85 +006.8	+12.05 +001.3	+06.80 0089	-03.98	+06.25	+01.15	+05.16	+00.85
29	+11.36 +008.3	+02.57 +007.9	+12.48 +001.5	+06.95 0089	-03.66	+06.50	+01.15	+05.62	+01.13
30	+11.90 +009.6	+02.27 +009.1	+13.01 +001.6	+06.62 0089	-02.91	+06.44	+00.96	+05.94	+01.24
31	+12.55 +008.5	+02.02 +007.2	+13.66 +001.6	+06.29 0087	-04.52	+07.35	+01.14	+05.97	+01.35
32	+13.03 +011.0	+01.74 +009.4	+14.18 +001.8	+06.22 0087	-03.73	+07.09	+00.98	+07.66	+01.63
33	+13.46 +010.6	+01.50 +009.0	+14.65 +001.5	+06.08 0126	-02.50	+07.08	+01.07	+06.25	+01.37
34	+13.79 +011.5	+01.36 +009.9	+15.04 +001.6	+05.81 0123	-02.37	+06.57	+01.08	+06.37	+01.37
35	+14.35 +011.4	+01.13 +008.8	+15.69 +001.7	+05.92 0125	-02.29	+07.15	+01.10	+07.06	+01.67

REFERENCES

1. Kamotani, Y.; and Greber, I.: Experiments on a Turbulent Jet in a Crossflow. AIAA J., vol. 10, no. 11, Nov. 1972, pp. 1425-1429.
2. Rudinger, G.; and Moon, L.: Laser Doppler Measurements in a Subsonic Jet Injected Into a Subsonic Crossflow. Fluids Eng. J., no. 76-FE-L, Sept. 1976.
3. Thompson, A. M.: The Flow Induced by Jets Exhausting Normally from a Plane Wall Into an Airstream. Ph.D. Thesis, Univ. of London, 1971.
4. Harms, L.: Experimental Investigation of the Flow Field of a Hot Turbulent Jet with Lateral Flow, Part II. NASA-TT-F-15706, 1974.
5. Fearn, R.; and Weston, R.: Induced Velocity Field of a Jet in a Crossflow. NASA TP-1087, 1978.
6. Fearn, R.; Doddington, H.; and Westphal, R.: LDV Studies of a Jet in a Crossflow. NADC-80238-60, 1981.
7. Aoyagi, K.; and Snyder, P. K.: Experimental Investigation of a Jet Inclined in a Subsonic Crossflow. AIAA Paper 81-2610, Dec. 1981.
8. Snyder, P. K.; and Orloff, K. L.: Reduction of Flow-Measurement Uncertainties in Laser Velocimeters with Nonorthogonal Channels. AIAA Paper 83-0051, Jan. 1983.
9. Orloff, K. L.; and Snyder, P. K.: Using a 3D Laser Anemometer to Determine Mean Streamline Patterns in a Turbulent Flow. NASA TM-85948, 1984.
10. Orloff, K. L.; and Snyder, P. K.: An Algorithm for Using a Laser Anemometer to Determine Mean Streamline Patterns in a Turbulent Flow. NASA TM-84340, 1983.

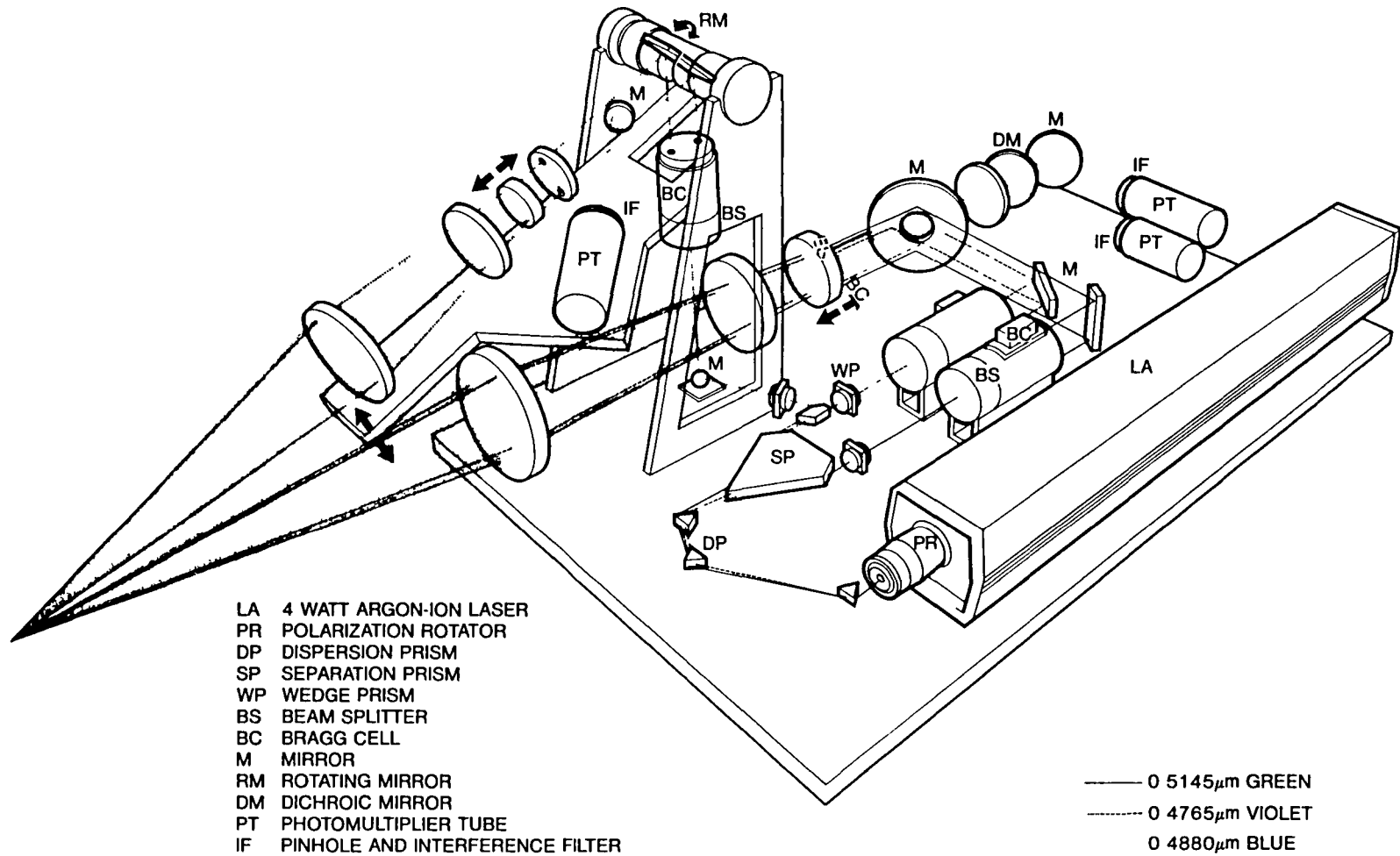


Figure 1.- 3D-Laser Doppler Anemometer.

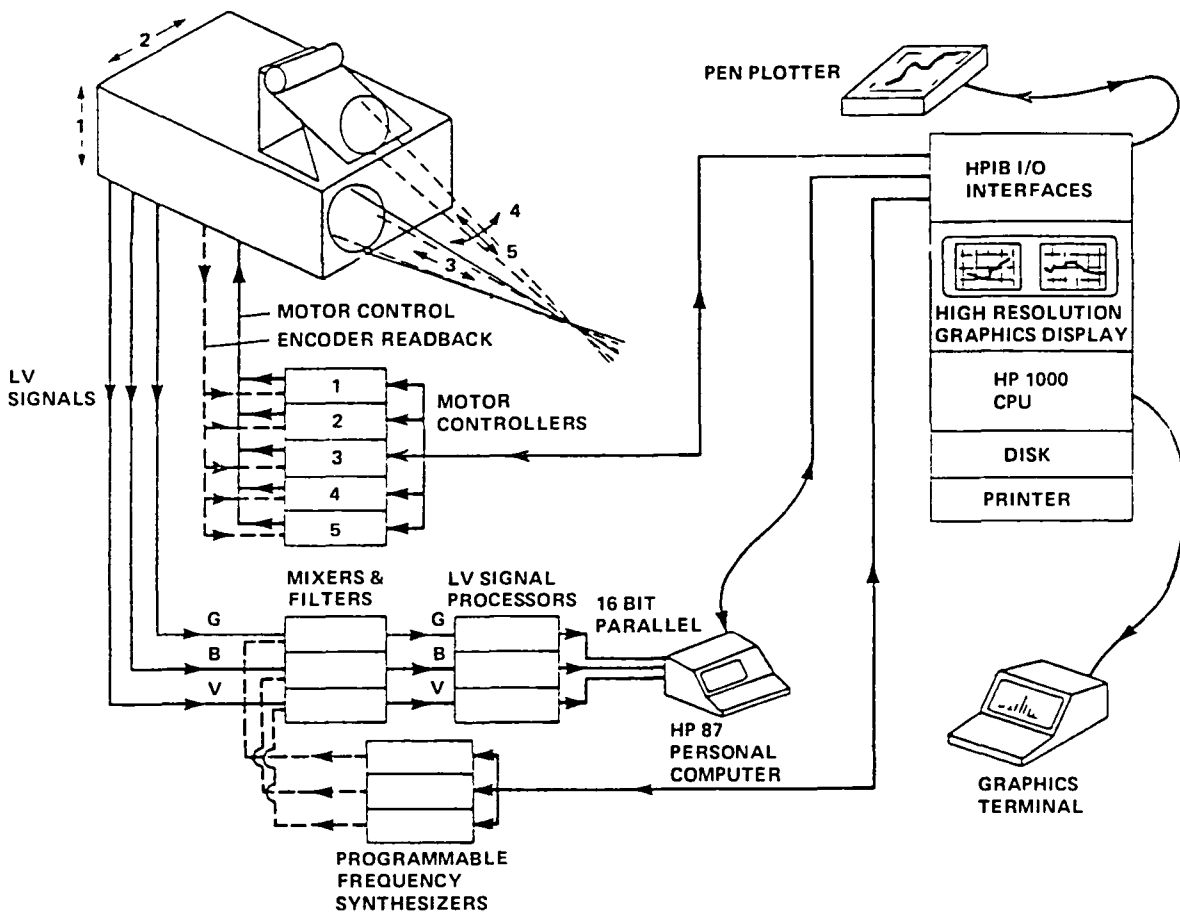


Figure 2.- 3D-LDA minicomputer-based data acquisition, reduction, display, and control system.

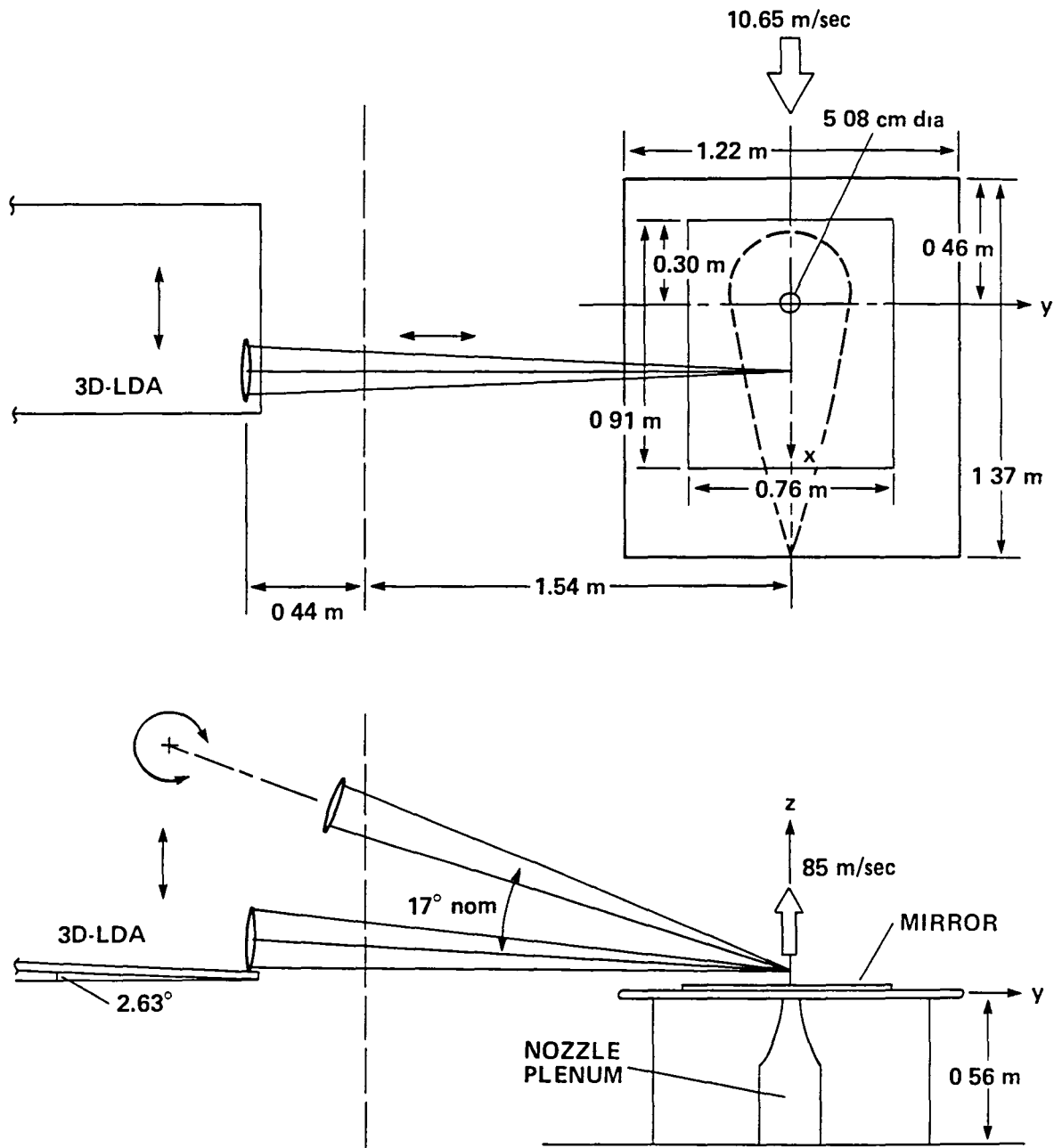


Figure 3.- Jet-in-a-Crossflow model and 3D-Laser Doppler Anemometer.

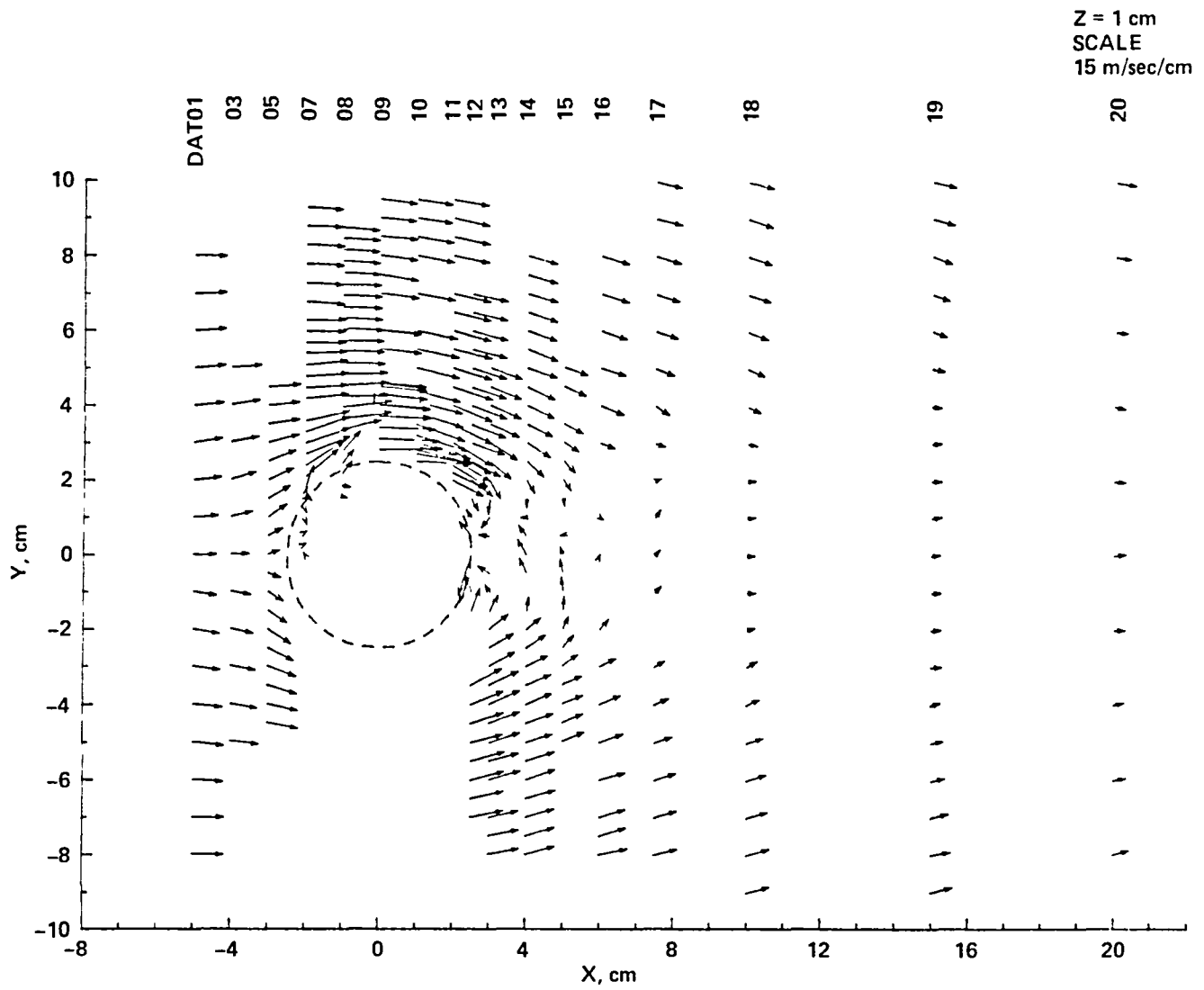


Figure 4.- Cross section of data in x-y plane.

Z = 2 cm
SCALE
15 m/sec/cm

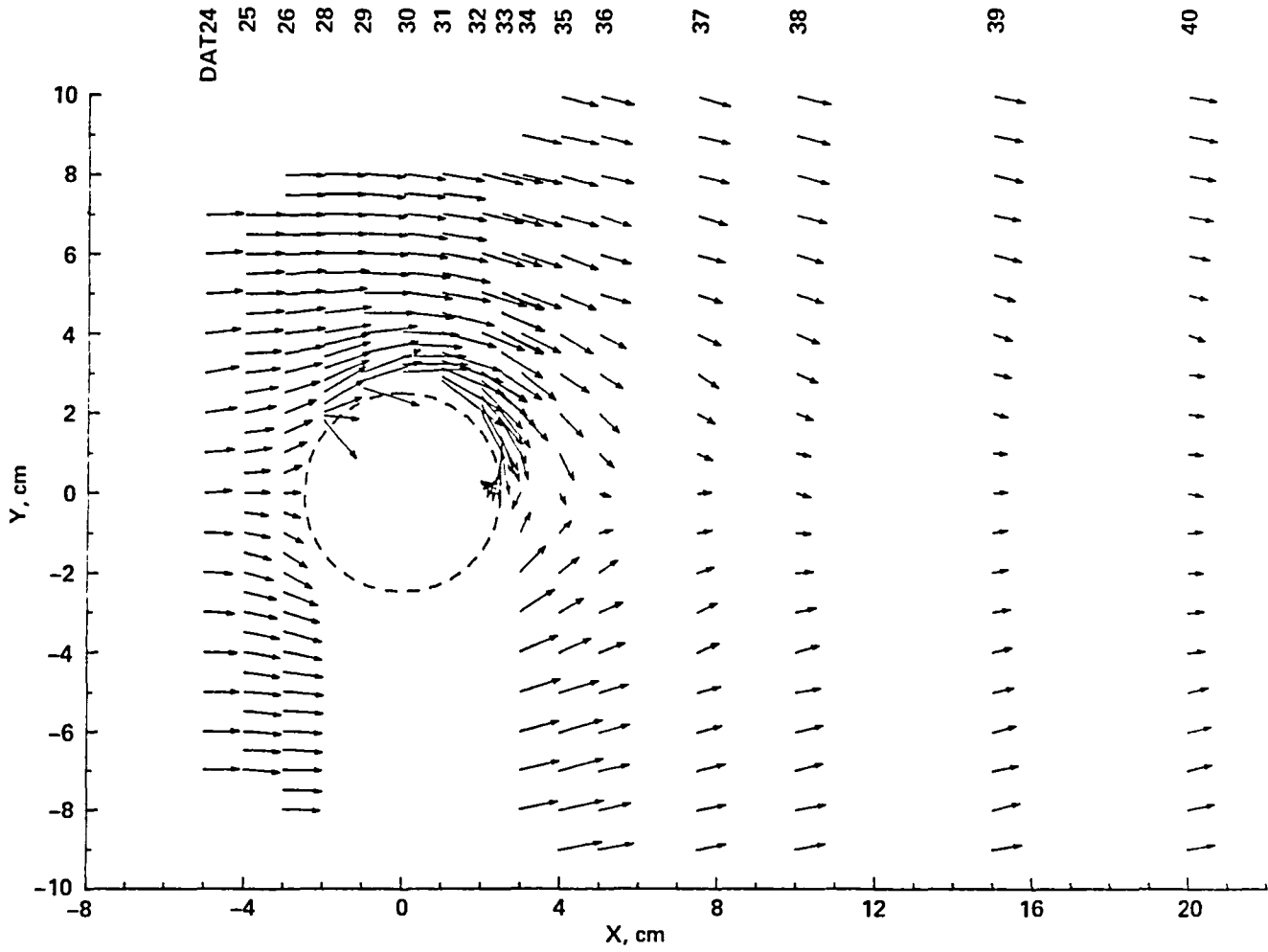


Figure 5.- Cross section of data in x-y plane.

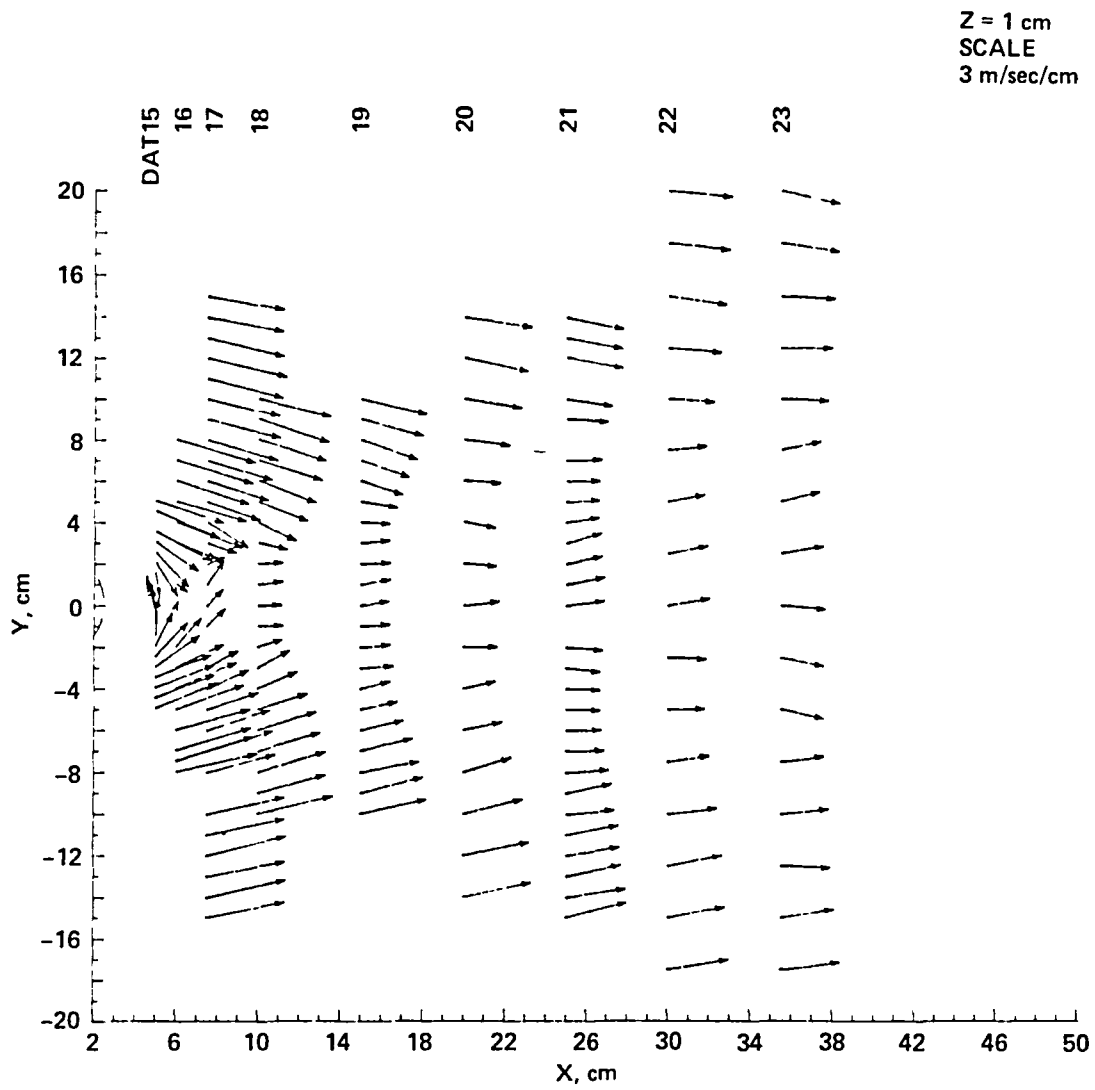


Figure 6.- Far wake region in x-y plane.

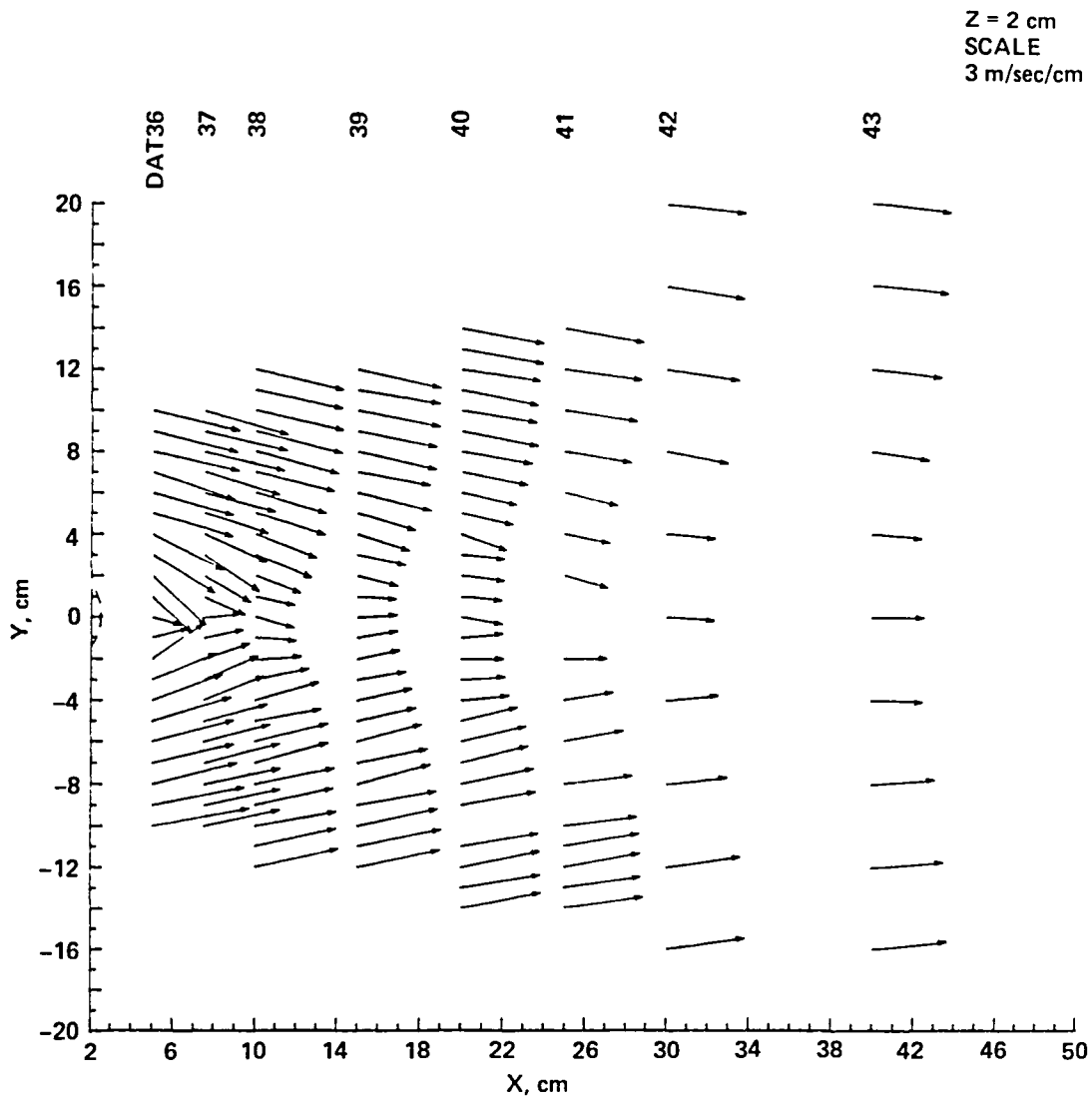


Figure 7.- Far wake region in x-y plane.

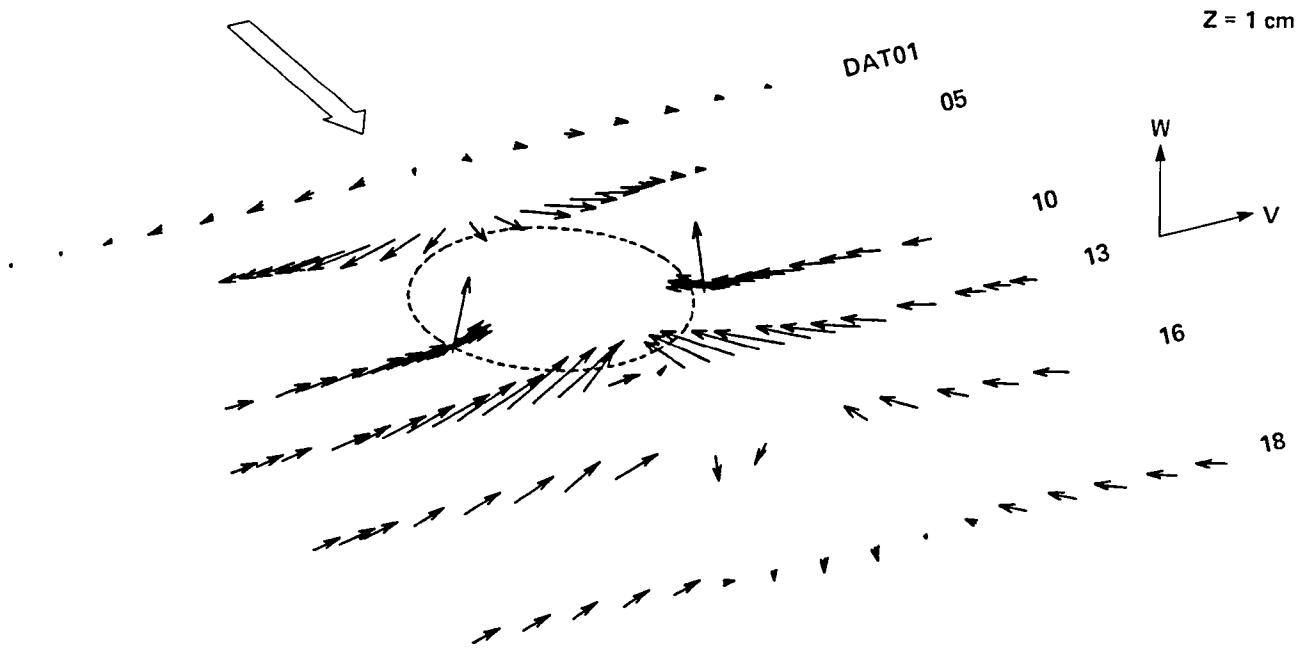


Figure 8.- View of selected surveys showing lateral and vertical components of velocity only.

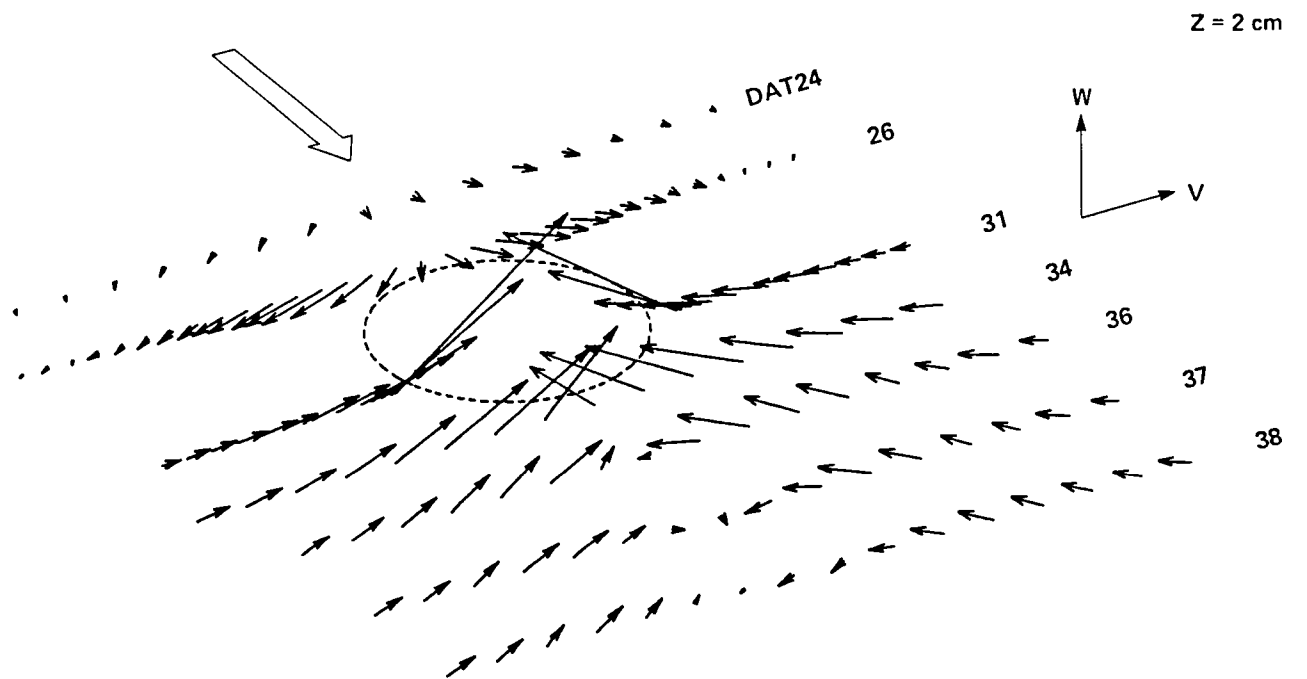


Figure 9.- View of selected surveys showing lateral and vertical components of velocity only.

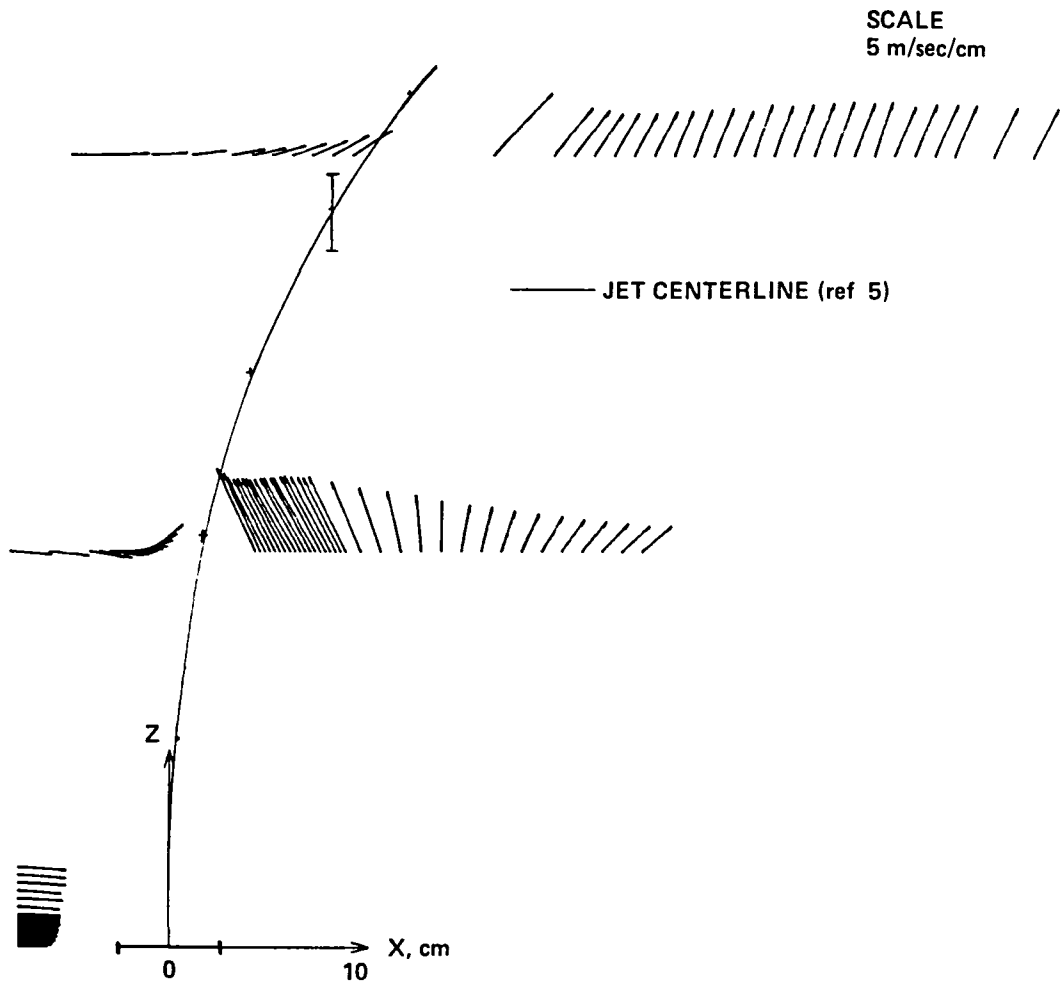


Figure 10.- Boundary layer and x-surveys at centerline for $z = 20$ and 40 cm.

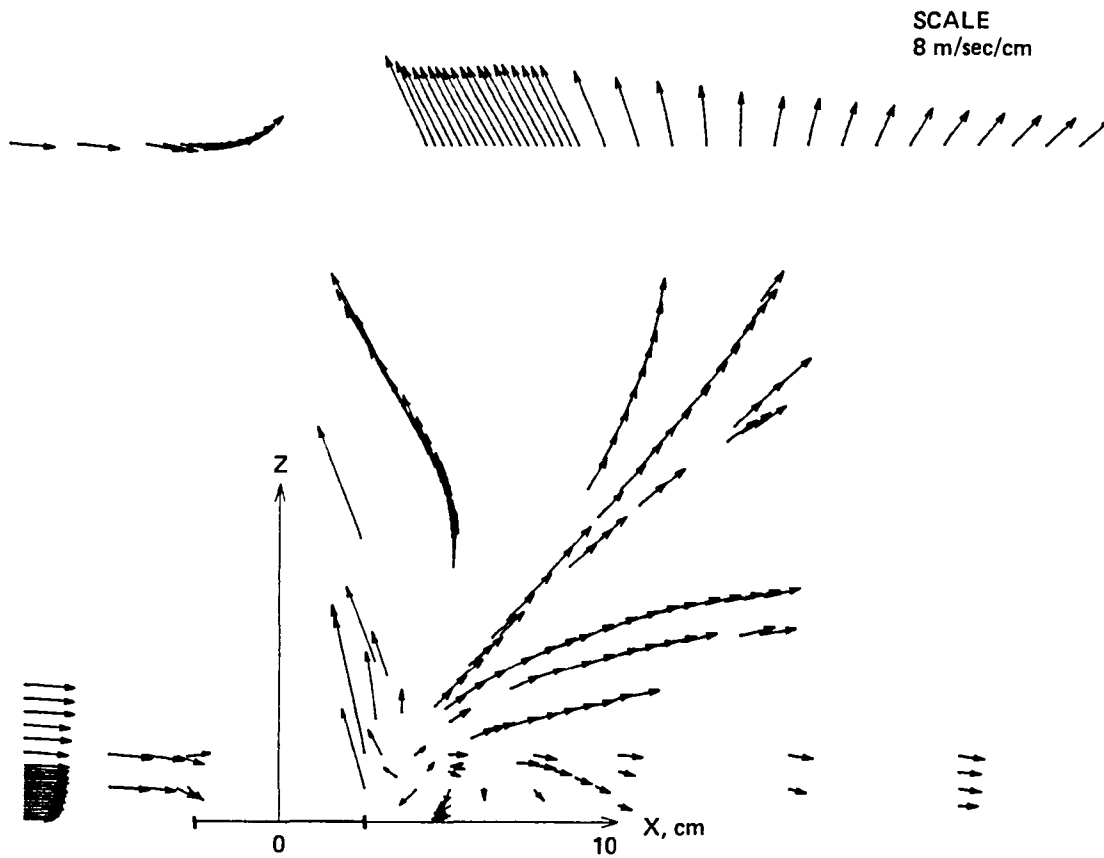
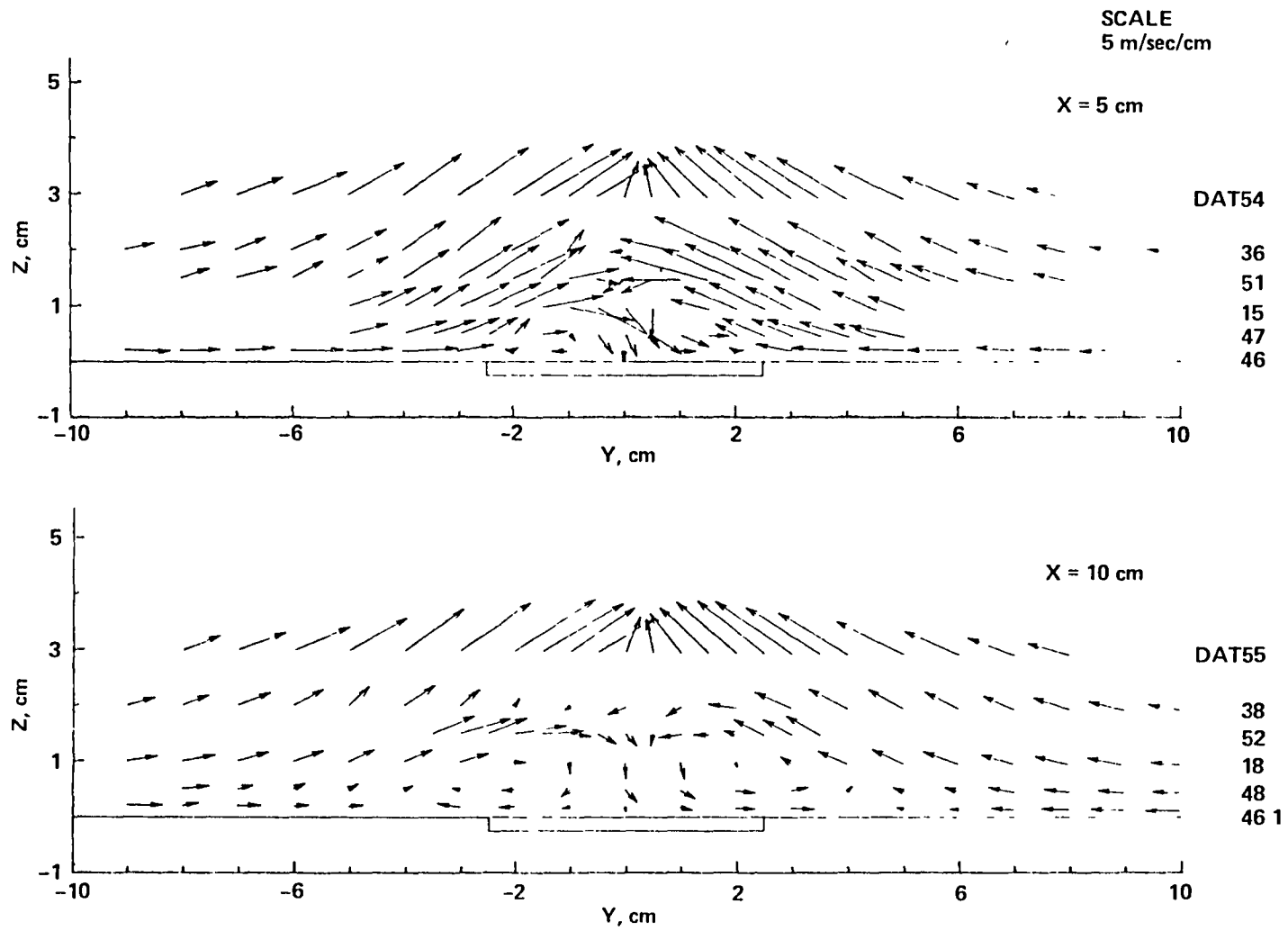


Figure 11.- Cut through x-y plane at $y = 0$ of all available data below $z = 20$ cm.



222

Figure 12.- Cross sections in wake showing weak vortex structures near plate.

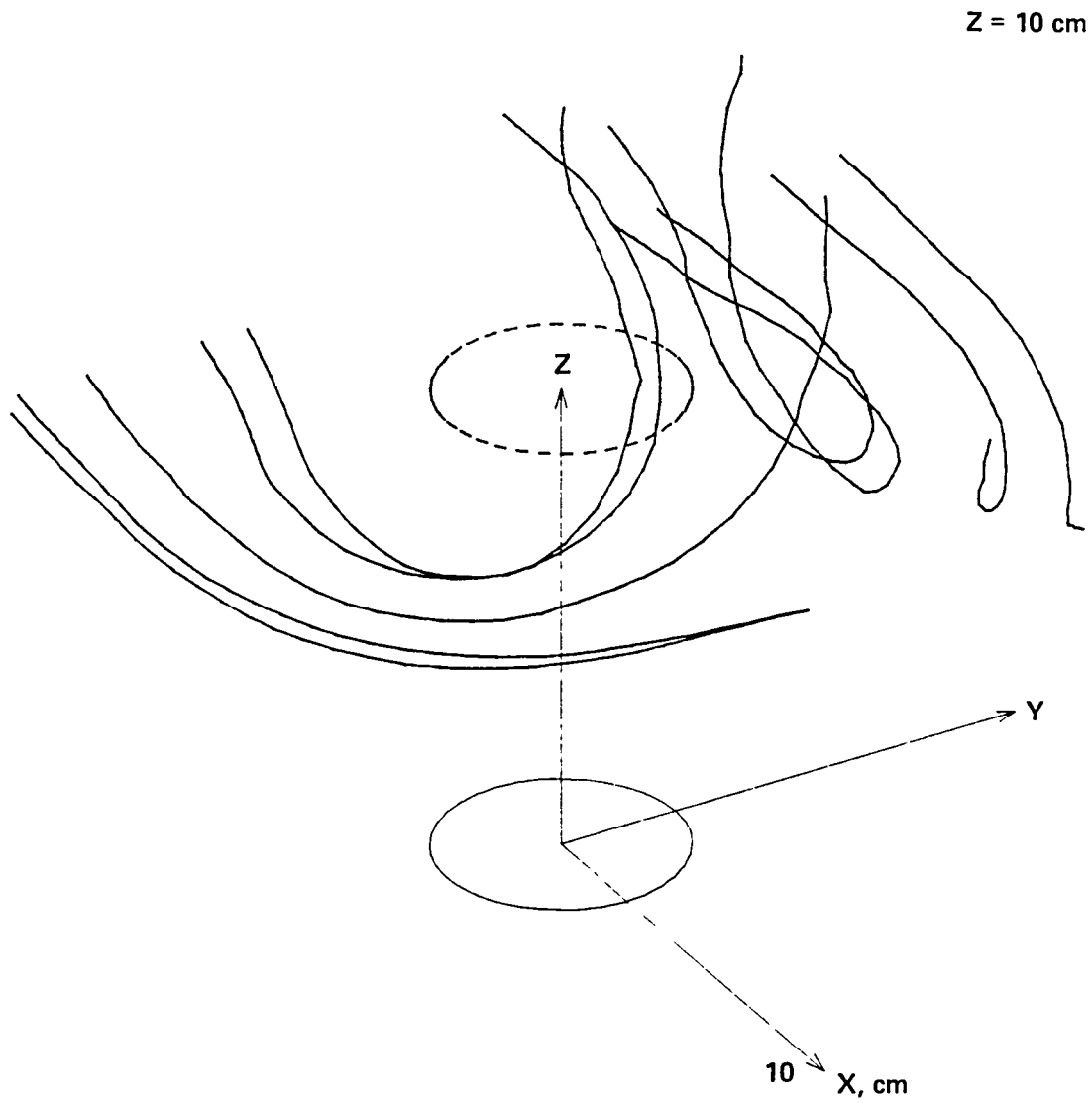


Figure 13.- Streamlines originating upstream at $z = 10$ cm. Note reverse trace of streamline at left.



Figure 14.- Streamlines originating upstream at $z = 5$ cm.

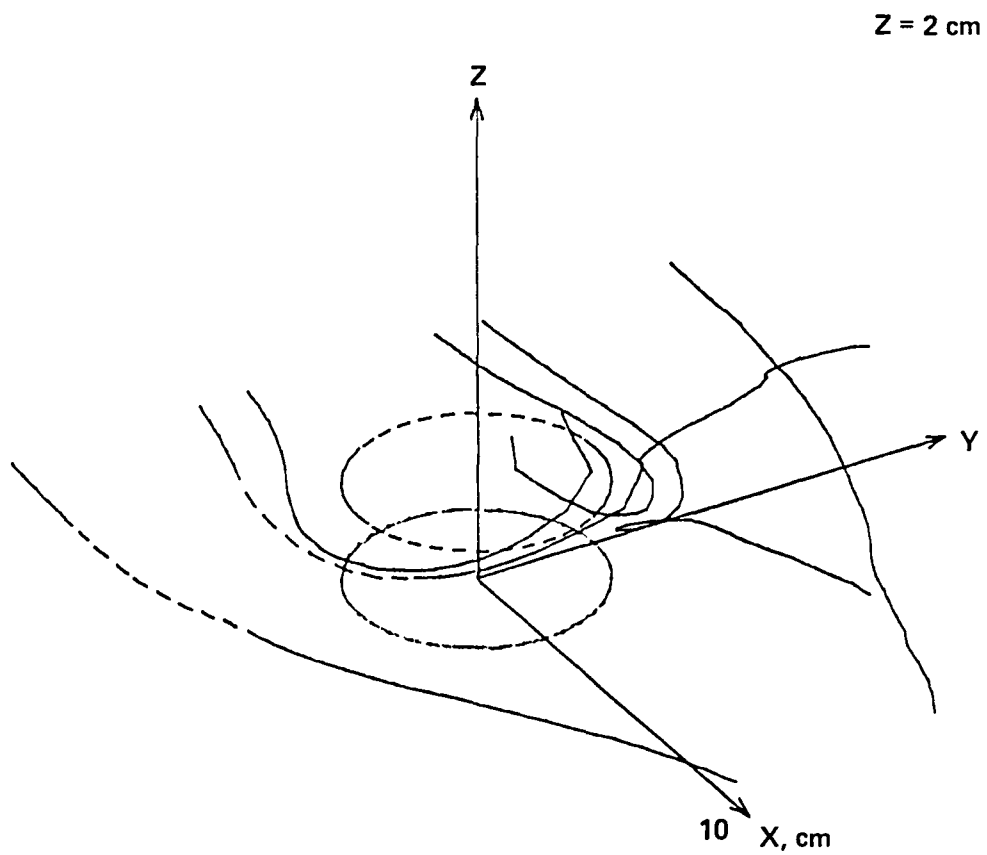


Figure 15.- Streamlines originating upstream at $z = 2$ cm.

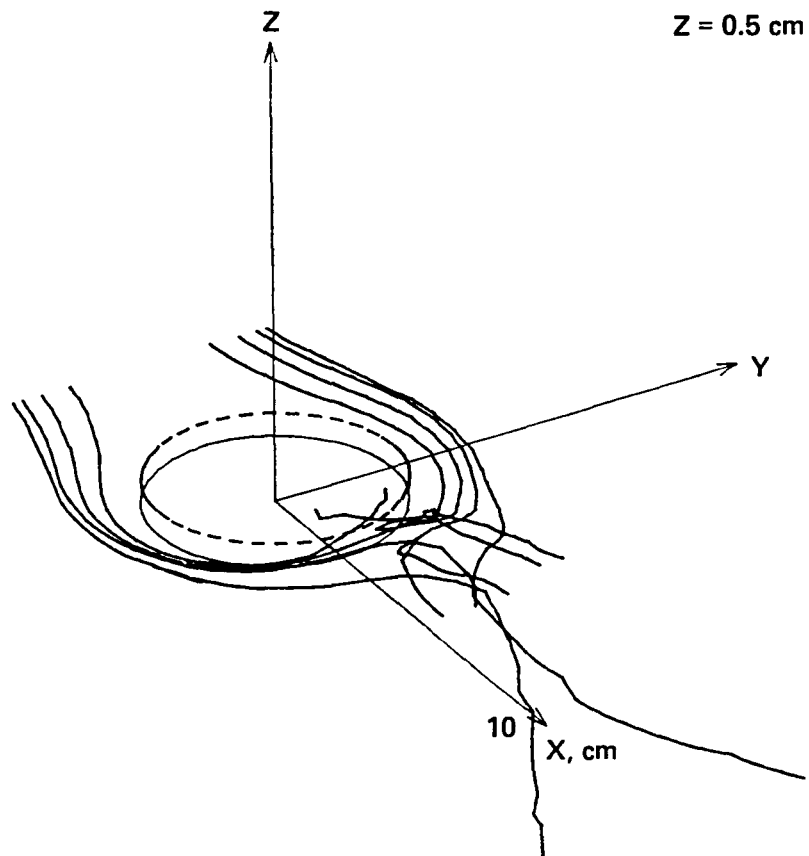


Figure 16.- Streamlines originating upstream at $z = 0.5$ cm. Streamlines have been redrawn on $-y$ side.

1 Report No NASA TM-85997	2 Government Accession No	3 Recipient's Catalog No	
4 Title and Subtitle THREE-DIMENSIONAL LASER DOPPLER ANEMOMETER MEASUREMENTS OF A JET IN A CROSSFLOW		5 Report Date September 1984	6 Performing Organization Code
		8 Performing Organization Report No A-9839	10 Work Unit No T-3530
7 Author(s) Philip Snyder and Kenneth L. Orloff		11 Contract or Grant No	
9 Performing Organization Name and Address Ames Research Center Moffett Field, CA 94035		13 Type of Report and Period Covered Technical Memorandum	
		14 Sponsoring Agency Code 505-43-01	
12 Sponsoring Agency Name and Address National Aeronautics and Space Administration Washington, DC 20546		15 Supplementary Notes Point of Contact: Philip Snyder, Ames Research Center, MS 247-1, Moffett Field, CA 94035, (415)965-6680 or FTS 448-6680	
16 Abstract A three-dimensional laser Doppler anemometer (3D-LDA) was used in a wind tunnel to measure a jet in a crossflow. Measurements were made in the vicinity of a 5-cm-diam jet which issued normally into a 10.65 m/sec wind tunnel crossflow; the velocity ratio V_{jet}/V_{inf} was 8. Detailed lateral surveys were made at two elevations ($z = 1$ cm and 2 cm); both elevations were within the region affected by the boundary layer on the plate. The results are believed to provide reliable velocity field information in the boundary layer of the jet in a crossflow. Turbulence information also is available and believed to be roughly correct, although it may be subject to broadening effects for the lower values of turbulence. A weak vortex pair was observed in the wake at the plate surface. This structure existed in the boundary layer and built confidence because the 3D-LDA was, indeed, able to resolve fine detail in the wake. The capabilities of the 3D-LDA not only allow the making of the velocity surveys, but can be utilized to follow mean streamlines in the flow. Using a specialized algorithm, it was possible to reconstruct streamlines originating upstream on a lateral line at elevations of 2, 5, and 10 cm. The results show symmetry about the jet and rollup of the contrarotating vortices. All the velocities along the streamlines are recorded.			
17 Key Words (Suggested by Author(s)) Jets, Three-dimensional flows, Velocimetry, Laser, Velocity measurement, Streamlines		18 Distribution Statement Unlimited Subject Category - 34	
19 Security Classif (of this report) Unclassified	20 Security Classif (of this page) Unclassified	21 No of Pages 229	22 Price* All

End of Document