

Time Complexity Measurement on CUDA-based GPU Parallel Architecture of Morphology Operation

Yonny S. Izmantoko[†], Heung-Kook Choi^{††}

ABSTRACT

Operation time of a function or procedure is a thing that always needs to be optimized. Parallelizing the operation is the general method to reduce the operation time of the function. One of the most powerful parallelizing methods is using GPU. In image processing field, one of the most commonly used operations is morphology operation. Three types of morphology operations kernel, *naïve*, *global* and *shared*, are presented in this paper. All kernels are made using CUDA and work parallel on GPU. Four morphology operations (erosion, dilation, opening, and closing) using square structuring element are tested on MRI images with different size to measure the speedup of the GPU implementation over CPU implementation. The results show that the speedup of dilation is similar for all kernels. However, on erosion, opening, and closing, *shared* kernel works faster than other kernels.

Key words: Time complexity measurement, GPU parallel architecture, Morphology operation, CUDA, MRI images.

1. INTRODUCTION

Morphology operation is an operation that works on image shape and form instead of the pixel intensity. The term mathematical morphology is usually used to express the set theory. Sets in mathematical morphology represent the shapes which are manifested on binary or gray tone images. The set of all the black pixels in a black and white image, (a binary image) constitutes a complete description of the binary image [1]. In im-

age processing and computer vision field, mathematical morphology is defined as a set of operations that works on any types of image.

There are two main types of image where morphology operations can be applied, gray scale and binary image. Gray scale image is a type of image that has 2^n intensity level, where n is a range of integer from 2 to 8. Binary image is image that only has two types of pixel value, black and white, which usually expressed as 0 and 1. It is possible to obtain binary image from gray scale image using threshold operation. It works by setting the pixel value below the threshold value to 0 and the pixel value above the threshold value to 1 (1).

$$B(x) = \begin{cases} 1 & \text{if } A(x) \geq t \\ 0 & \text{otherwise} \end{cases} \quad (1)$$

$A(x)$ and $B(x)$ are input image and output image, respectively, and t is the threshold value. The threshold value can be determined manually or automatically. In manual mode, threshold value is defined and adjusted until the output image is satisfying. On the other hand, automatic mode tends to get the threshold value based on param-

※ Corresponding Author : Heung-Kook Choi, Address : (621-749) Dept. of Computer Engineering, UHRC, Inje University, Injero 197, Gim-Hae, Gyeong-Nam, Korea TEL : +82-55-320-3437, FAX : +82-55-322-3107, E-mail : cschk@inje.ac.kr

Receipt date : Dec. 31, 2012, Revision date : Jan. 25, 2013
Approval date : Jan. 29, 2013

[†] Department of Computer Engineering, Inje University, Korea
(E-mail: yonny.septian@gmail.com)

^{††} Department of Computer Engineering, UHRC, Inje University, Korea

※ This research was supported by Basic Science research Program through the National research Foundation of Korea (NRF) funded by the Ministry of Education, Science and technology (2012-0002646).

ters of the image. Several automatic threshold methods have been made introduced; Otsu introduced threshold method that minimizes the intra class variance [2], Li introduced minimum cross entropy threshold method [3], JN Kapur, et al. used maximum entropy threshold method [4], and Prewitt, et al. introduced minimum threshold method [5]. Each of this method has its own function and specific application; therefore there is no threshold method that can work well for all types of image.

The morphology operations consist of two basic operations; erosion and dilation. The other operations, opening and closing, that are based on them. There are many applications field of morphology operation, such as brain segmentation of MR image [6] and cell segmentation [7]. Morphology operations work using structuring element, which is a small binary image used as shape mask in basic morphological operations. Structuring element can be any shape and size, and they must have an origin (usually it is the center pixel). The function of this origin is as reference pixel to write the output value. Shapes that are commonly used are square, hexagon, circle and disk [8]. The erosion operation is denoted as $A \ominus B$, where A is the binary image and B is the structuring element. It is expressed by (2). This equation means that erosion is the set of all points z such that B , translated by z , is contained in A .

$$A \ominus B = \{z | (B)_z \subseteq A\} \quad (2)$$

On contrary, dilation operation is denoted as $A \oplus B$ and expressed by (3). It means that dilation is the set of all displacements z , such that B and A overlap by at least one pixel.

$$A \oplus B = \{z | (\hat{B})_z \cap A \neq \emptyset\} \quad (3)$$

Opening and closing are combinations of erosion and dilation. Opening is erosion operation followed by dilation operation (4), whereas closing is dilation operation followed by erosion operation (5).

$$A \circ B = (A \ominus B) \oplus B \quad (4)$$

$$A \bullet B = (A \oplus B) \ominus B \quad (5)$$

2. METHODS

2.1 GPGPU and CUDA

Graphics Process Unit (GPU) was commonly used for graphics rendering and display on monitor. Nowadays, GPU is not only used for display purpose but also for computation, which is called as GPGPU (General Purpose Graphic Processing Unit). There are many computations that are already applied on it. GPU is well-suited for problems that can be expressed as data-parallel computations - the same program or function that is executed on many data elements in parallel - with high arithmetic intensity. Some specific algorithms such as genetic [9], Smith-Waterman [10] and connected component labeling [11] have been implemented using GPU. Because of this parallel computation utility, NVIDIA introduced CUDA (Computed Unified Device Architecture) in 2006 [12]. CUDA is a general purpose parallel computing architecture - with a new parallel programming model and instruction set architecture - that enables NVIDIA GPUs to solve many complex computational problems more efficiently than CPU. It also comes with programming environment of CUDA C, a C-like programming language that is easier to be understood and learned than many unfamiliar rendering code and syntax such as OpenGL or OpenCL.

GPU consists of several types of memory. Their hierarchy can be seen on Fig. 1. Each memory has its specific usage and characteristics, such as speed, size, etc. Fig. 2 shows the hierarchy of thread, block, and grid. CUDA documentation made by NVIDIA stated that the fastest memory on GPU is shared memory, which is located on GPU chip. This memory is accessible for all threads in one block [13]. The smallest part of GPU is called thread and the parallel computation takes place on it. Kernel, which is a set of com-

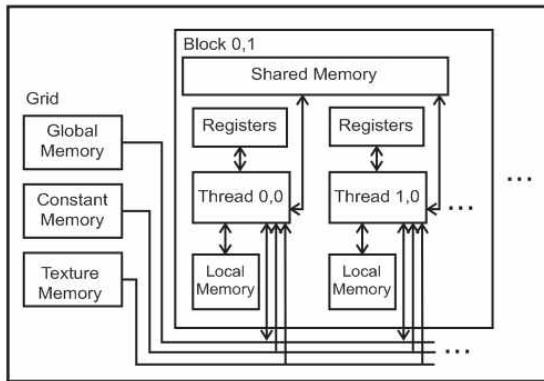


Fig. 1. GPU Memory Hierarchy.

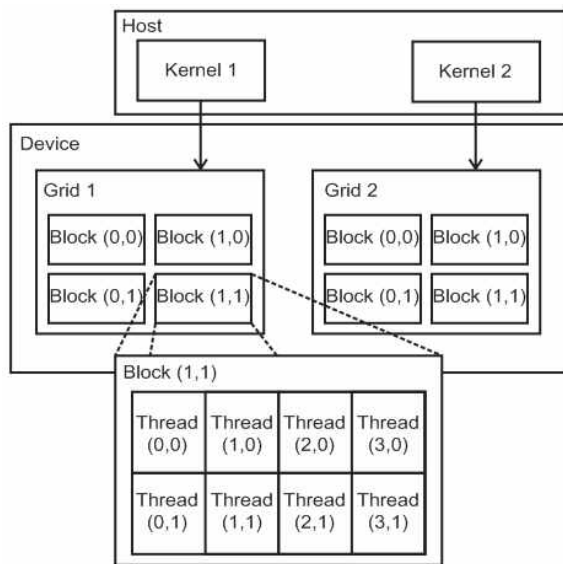


Fig. 2. CUDA Grid-Block-Thread Organization.

mands or functions, will be executed parallel on each thread on GPU.

In this paper, we propose architectures for erosion and dilation operation on GPU using CUDA. There are 3 types of architecture that we propose, naïve, global, and shared. Each of these architectures has different way to access the pixel value of the input image. These architectures are tested on several images with different size to get the speed on each of them. The remainder of this paper is organized as follows: In section 2 we describe the architecture for erosion and dilation. In section 3, we will test the architectures on several images and compare the results. Finally, we conclude this work in section 4.

2.2 PROPOSED ARCHITECTURE

As mentioned in the previous section, morphology operation works by sliding the structuring element on every pixel in input image. In sequential mode, the structuring element will slide to the right until the end of row, and then it will go to the lower row and repeat the same sliding process. The morphology operation works differently compared by filtering operation where the parallel process is done by separating the filter into row and column operations. In morphology operation, structuring element works as one unit that cannot be separated into row and column operations. Therefore, in parallel morphology operation, we should make several structuring element at the same time and do the morphology operations in parallel. To simplify the comparison, a square structuring element and same image were used.

2.2.1 Naïve Kernel

This kernel works only on global memory. Here, the index of pixels must be defined manually. Therefore, the size of structuring element is also limited to the defined size. For example, if the size of structuring element which is defined only 3x3, 4x4 and 5x5, we cannot use other sizes of structuring element, unless we redefine the kernel itself. This is the limitation of naïve kernel.

Index of a thread is defined by the number of threads per block, image width, block index for x-y, and thread index for x-y. Structuring element which maximum size is 7x7 is defined for this kernel. Fig. 3 is an example of structuring element which size is 3x3. Before defining the pixel index, we need to define 2D index in x and y (6). The

i0	i1	i2
i3	i4	i5
i6	i7	i8

Fig. 3. 3x3 structuring element.

center pixel index, $i4$, is defined as (7) and the index of pixels around it is determined by respect of the center pixel index [14]. For example, index of the bottom right pixel, $i8$, is defined as (8).

$$\begin{aligned} x &= \text{threadIdx}.x + \text{imWidth} \times \text{blockIdx}.x \\ y &= \text{threadIdx}.y + \text{imWidth} \times \text{blockIdx}.y \end{aligned} \quad (6)$$

$$i4 = y * \text{imWidth} + x \quad (7)$$

$$i8 = (y + 1) * \text{imWidth} + (x + 1) \quad (8)$$

In erosion, this kernel checks all pixel values within the structuring element. If all of the pixel values are 1, then this kernel will assign 1 on the center pixel of the output image. In dilation, if the pixel value in input image is 1, then this kernel will write assign 1 for all pixels within the kernel size on the output image.

2.2.2 Global Kernel

This kernel also works only on global memory. The difference between global kernel and naïve kernel is the way to define the index of pixels. 2D index is still defined by (6), but a new parameter, $RADIUS$, is introduced in order to define the pixel index automatically. Change in $RADIUS$ means change in structuring element size, and it also changes the index of pixels.

For erosion operation, another parameter called $COUNTER$ is introduced. This parameter is used to count the number of pixel which value is 1 in the input image. The global erosion kernel checks the pixel values within the $RADIUS$. Each time an object pixel (which value is 1) is found, $COUNTER$ will increase its value by 1. After all pixels within the $RADIUS$ are checked, this kernel will assign 1 to the center of the output image if and only if the $COUNTER$ value meets a specific condition. This condition is described in Fig. 4. This figure shows the erosion kernel that consists of 4 areas with white color, 4 areas with gray color and 1 center pixel which color is black. This is the final condition of $COUNTER$ that must be fulfilled. Therefore, $COUNTER$ must equal to (9) before as-

signing 1 on the center of the output image.

$$COUNTER = 4RADIUS^2 + 4RADIUS + 1 \quad (9)$$

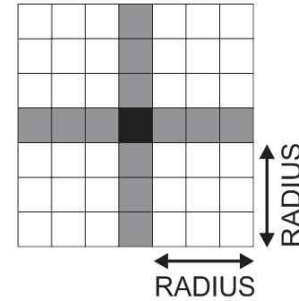


Fig. 4. Condition of $COUNTER$.

Dilation operation works by the simpler way. This kernel will read all pixels in the input image one by one. If the pixel value is 1, then this kernel will assign 1 within the $RADIUS$ in the output image.

2.2.3 Shared Kernel

Unlike naïve kernel and global kernel that work only on global memory, shared kernel works on both of global and shared memory. Shared memory is often used to hold the portion of global memory data that are heavily used in an execution phase of kernel [15]. In CUDA architecture, loaded input image is always located on global memory. Therefore, input image must be copied to shared memory first before the morphology operations are applied. In order to copy input image from global memory to shared memory, new 2D index which consists of sx and sy is introduced (10). This new index will be used for accessing shared memory index. Here, $RADIUS$ parameter is the same parameter that is used in global kernel for automatic pixel indexing.

$$\begin{aligned} sx &= \text{threadIdx}.x + RADIUS \\ sy &= \text{threadIdx}.y + RADIUS \end{aligned} \quad (10)$$

The size of shared memory is defined by (11), where $TILE_W$ and $TILE_H$ as width and height of shared memory, respectively. $RADIUS$ is also put in shared memory size definition because in

this shared kernel, morphology operations work by reading not only the pixel value within the structuring element, but also the pixels around it. Morphology operations can only be applied on the center of the input image on shared memory unless the RADIUS is put in the size definition. Some image information might lose because morphology operation cannot work for the pixels on the edge of shared memory. This edge extension of shared memory can be performed by taking RADIUS into the size definition of shared memory. This shared memory extension is called *halo*. Fig. 5 shows the shared memory organizations. The white area is part of input image where morphology operation will take place. In order to perform morphology operations on the edge of white area, gray area (*halo*) is used.

$$Sh. Memory Size = [TILE_W + 2 * RADIUS] \times [TILE_H + 2 * RADIUS] \quad (11)$$

Erosion operation on shared kernel uses the same method as erosion operation on global kernel. Similarly, dilation operation also uses the same method as dilation operation on global kernel. The difference is that the input image is located on shared memory, instead of global memory. Nevertheless, the final assignment is done on global memory directly.

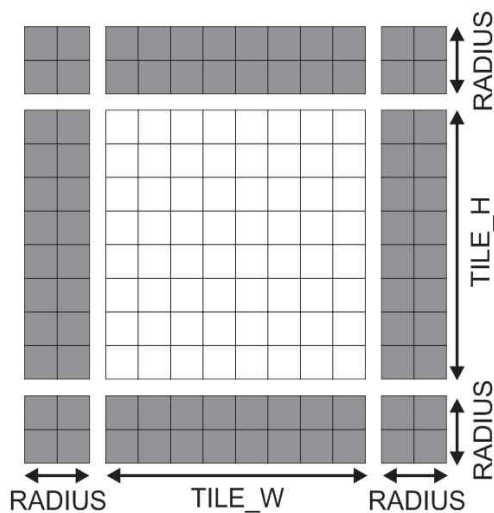


Fig. 5. Shared Memory Organizations.

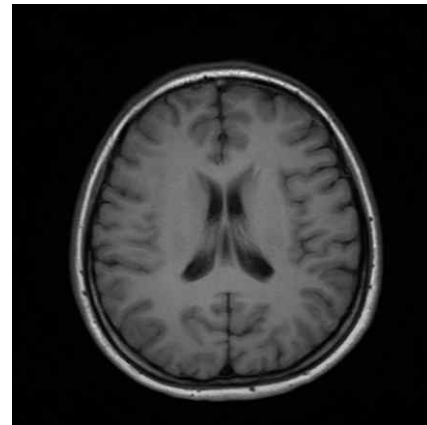


Fig. 6. Brain Axial MR Image.

3. RESULTS

In this paper, an axial MR image (Fig. 6) with 3 types of image resolution (512×512, 1024×1024, and 2048×2048) were used to test the architectures. The original image (512×512 3T MRI image) was acquired using Philips Medical System MR device from Haeundae Paik Hospital. The other resolutions were obtained using bilinear interpolation of the original image. The experiment on the same image with different resolutions was done in order to compare the result for all resolutions.

All tests run on Intel Xeon 2.6GHz processor and NVIDIA Quadro56 graphic card. The working environments were Microsoft Visual Studio 2005 and CUDA Toolkit 4.0. The similar sequential algorithm was also applied to obtain the speedup of GPU over CPU. The speedup results were calculated by dividing CPU time by the execution time for each kernel. The time results were summarized in Table 1 and the speedup results were shown in Table 2. Fig. 7 shows the graphical results of the execution time and speedup for each resolution: 512×512, 1024×1024, and 2048×2048, respectively. Each operation was depicted by different line: solid line for erosion, dash-dot line for dilation, dashed line for opening, and dotted line for closing.

From these results, it can be seen clearly that the implementation of the algorithm in CPU needs longer execution time than GPU, regardless of the

Table 1. Time Results

Image Size	Morphology Operation	Time (ms)			
		CPU	Naive	Global	Shared
512×512	Erosion	89.584	11.352	32.992	3.097
	Dilation	73.838	20.95	20.702	21.31
	Opening	159.739	32.335	53.763	24.029
	Closing	159.661	35.42	54.614	24.026
1024×1024	Erosion	326.545	44.771	130.581	11.226
	Dilation	289.739	76.809	81.947	80.843
	Opening	621.268	122.076	212.501	92.141
	Closing	618.391	122.089	212.578	92.197
2048×2048	Erosion	1226.743	189.297	527.8	45.162
	Dilation	1133.518	313.792	330.197	329.672
	Opening	2362.877	503.15	857.784	374.922
	Closing	2361.636	503.187	858.035	374.296

Table 2. Speedup Results

Image Size	Morphology Operation	Speedup (times)		
		Naive	Global	Shared
512×512	Erosion	7.89	2.72	28.93
	Dilation	3.52	3.57	3.46
	Opening	4.94	2.97	6.65
	Closing	4.51	2.92	6.65
1024×1024	Erosion	7.29	2.50	29.09
	Dilation	3.77	3.54	3.58
	Opening	5.09	2.92	6.74
	Closing	5.07	2.91	6.71
2048×2048	Erosion	6.48	2.32	27.16
	Dilation	3.61	3.43	3.44
	Opening	4.70	2.75	6.30
	Closing	4.69	2.75	6.31

type of operation. Sequential processing will work slower than parallel processing because it needs to finish an operation firstly before doing other operations [16]. Therefore time needed in CPU implementation is longer. Whereas, among the GPU implementations, shared kernel works faster than naïve and global kernel for erosion, opening and closing operations. However, for dilation, there is no significant difference in performance for all kernels. The execution time needed to perform dilation is similar for all kernels.

4. DISCUSSION

All dilation kernels work by checking a value on the input image. If the condition on input image is met (the pixel value is one), more values will be written on the output image. There is no difference whether the input image is located on global memory or shared memory, because dilation operation will always write the output values on output image that is located in global memory.

On the other hand, the results of erosion are varied. Shared kernel is the fastest kernel among all erosion kernels, followed by the results of naïve and global kernel. The result variation is caused by the principal difference between erosion and dilation, which is the way the operation reads the input image and writes the output image. Erosion kernel reads more input values than write the output value. In shared kernel, where input image is copied from global memory to shared memory, this kernel will read the input values of image on shared memory and write an output value to global memory for every kernel execution. The low latency of shared memory [12] makes this kernel performs fast.

Both of naïve and global kernel work on global

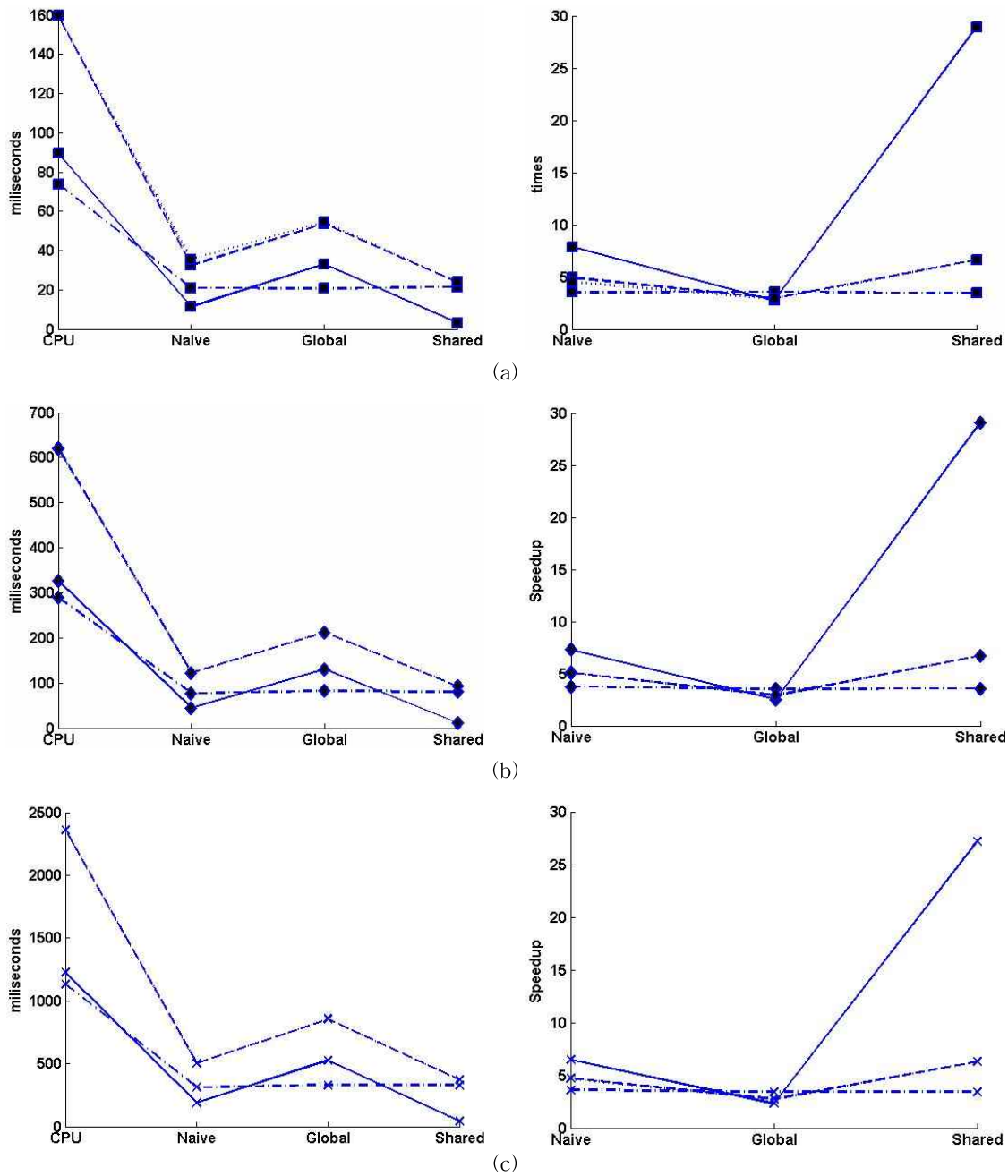


Fig. 7. The result of execution time (left) and speedup (right) of the architectures on image which size is: (a) 512×512, (b) 1024×1024, (c) 2048×2048.

memory, but the result shows that naïve kernel is faster than global kernel. This is caused by direct pixel index assignment and checking on naïve kernel. This kernel does not need to traverse within the structuring element to check the pixel values of input image as in global kernel. In global kernel implementation, the process of traversing within the structuring element is not only used in erosion,

but also in dilation. However, the result shows that dilation is faster than erosion. This result states that reading the input image on global memory takes longer time than writing the output image on global memory.

Fast performance of erosion on shared kernel affects the performance of closing and opening operations directly. Their performances have the sim-

ilar patterns as erosion, where shared kernel is the fastest kernel, followed by naïve and global kernel. In our experience, the performance of closing and opening are quite similar because both of them apply the same operations (erosion and dilation), even though the order is reversed.

Our experimental results show that the highest speedup was achieved by shared kernel for erosion operation. This speedup was 29 times faster than the erosion on CPU. However, there was no significant difference in speedup for different image resolution, as seen in Fig. 7. The speedups for all image resolutions are quite similar with a small variation on each of them.

5. CONCLUSION

3 types of GPU kernels were made to apply the basic morphology operations (erosion, dilation, opening, and closing). CPU implementation was also performed as the benchmark. In our experiment, CPU implementation was the slowest compared to other GPU kernels. Dilation operation took almost the same amount of time for all kernels. This was caused by the usage of the same method to read the input image and write some values on output image. Erosion, opening and closing operations on shared kernel performed faster than other kernels because the input image was read from shared memory, which has low latency. Whereas, the traversing within the structuring element on global kernel made it performed slower than the naïve kernel, which already defined the index of pixel within the structuring element.

REFERENCES

- [1] R.M. Haralick, S.R. Sternberg, and X. Zhuang, "Image Analysis using Mathematical Morphology," *IEEE Trans. on Pattern Analysis and Machine Intelligence*, Vol. 9, No. 4, pp. 532–550, 1987.
- [2] N. Otsu, "A Threshold Selection Method from Gray-Level Histograms," *IEEE Trans. Sys. Man.*, Vol. 9, No. 1, pp. 62–66, 1979.
- [3] C.H. Li and C.K. Lee, "Minimum Cross Entropy Thresholding," *Pattern Recognition*, Vol. 26, No. 4, pp. 617–625, 1993.
- [4] J.N. Kapur, P.K. Sahoo, and A.K.C. Wong, "A New Method for Gray-Level Picture Thresholding using the Entropy of the Histogram," *Graphical Models and Image Processing*, Vol. 29, No. 3, pp. 273–285, 1985.
- [5] J.M.S. Prewitt and M.L. Mendelsohn, "The Analysis of Cell Images," *Annals of the New York Academy of Sciences*, Vol. 128, No. 3, pp. 1035–1053, 1966.
- [6] T. Kapur, W.E.L. Grimson, W.M. Wells, and R. Kikinis, "Segmentation of Brain Tissue from Magnetic Resonance Images," *Medical Image Analysis*, Vol. 1, No. 2, pp. 109–127, 1966.
- [7] D. Anoraganingrum, "Cell Segmentation with Media Filter and Mathematical Morphology Operation," *Image Analysis and Processing Proc. International Conference on Digital Object Identifier*, pp. 1043–1046, 1999.
- [8] R.C. Gonzalez and Robert E. Woods, *Digital Image Processing*, Pearson-Prentice Hall, New Jersey, 2008.
- [9] K. Wang, "A GPU-Based Parallel Genetic Algorithm for Generating Daily Activity Plans," *IEEE Transactions on Intelligent Transportation Systems*, Vol. 13, No. 3, pp. 1474–1480, 2012.
- [10] A. Akoglu and G.M. Striemer, "Scalable and Highly Parallel Implementation of Smith-Waterman on Graphics Processing Unit using CUDA," *Cluster Comput*, Vol. 12, No. 3, pp. 341–352, 2009.
- [11] K.A. Hawick, A. Leist, and D.P. Playne, "Parallel Graph Component Labeling with GPUs and CUDA," *Parallel Computing*, Vol. 36, No. 12, pp. 655–678, 2010.

- [12] J. Sanders and E. Kandrot, *CUDA by Example*, Pearson Education Inc., Boston, 2010.
- [13] L. Wang and H. Wang, "Implementation of a Soft Morphological Filter based on GPU Framework," *5th International Conference on Bioinformatics and Biomedical Engineering (iCBBE)*, pp. 1-4, 2011.
- [14] CUDA Documents, <http://docs.nvidia.com/cuda/index.html>, 2012.
- [15] D.B. Kirk and W.W. Hwu, *Programming Massively Parallel Processors*, Elsevier, Burlington, 2010.
- [16] B. Yu, H. Kim, W. Choi, and D. Kwon. "Parallel Range Query Processing on R-tree with Graphics Processing Units," *Journal of Korea Multimedia Society*, Vol. 14, No. 5, pp. 669- 680. 2011.



Yonny S. Izmantoko

He received his bachelor degree at School of Electrical Engineering and Informatics of Institut Teknologi Bandung, Indonesia in July, 2011. Currently, he is a master student at Department of Computer Engineering of Inje

University, Korea. His research interests are image segmentation, visualization, and parallel computing



Heung-Kook Choi

He has gone Department of Computer Engineering at Linköping University in Sweden for his BS and MS in 1988 and 1990 respectively and his Ph.D. studying of Center for Image Analysis at Uppsala University

in Sweden in 1996. Now he is Professor at Department of Computer Engineering of Inje University in Korea and life member of Korea Multimedia Society. His research interests are Computer Graphics and Image Processing